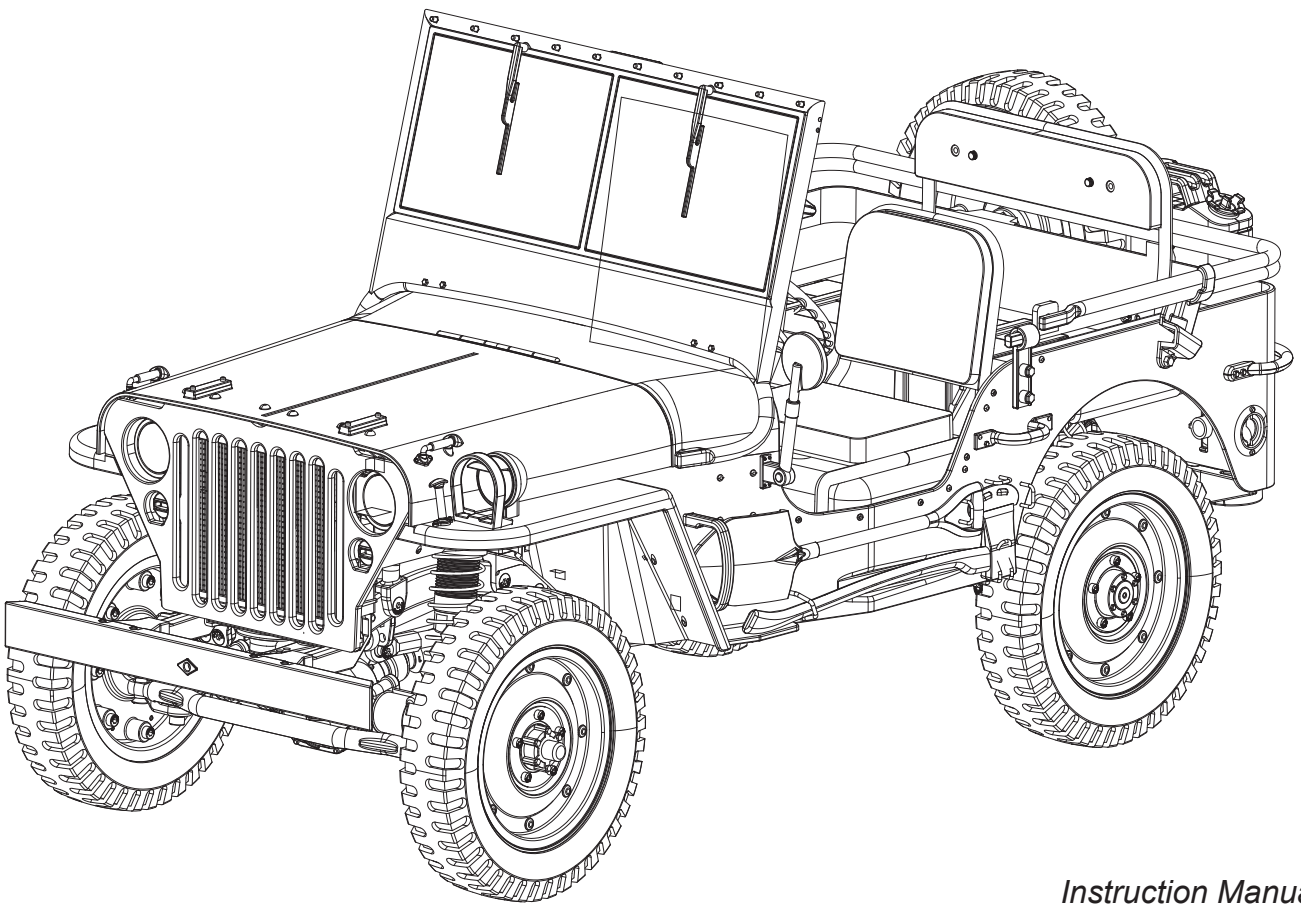


# RO/HOBBY

# 1:6 1941 MB SCALER



PNP version does not include transmitter and receiver .

*Instruction Manual*  
*Bedienungsanleitung*  
*Manuel d'utilisation*  
操作手册

## PARAMETERS

Length:530.5mm  
Width: 258mm

Height:270mm  
Wheelbase: 324mm

Ground clearance: 39.5mm  
Approach angle: 58°

Departure angle: 22°  
Breakover angle: 36°



## TABLE OF CONTENTS

Safety precautions .....	3
Radio system manual .....	4
ESC system manual .....	8
Vehicle setup .....	12
Wiper installation,Lifting and retracting the windshield .....	13
Opening the hood .....	13
Setting up the canvas bracket .....	14
Operating the vehicle .....	14
Front and rear wheel assembly .....	53
Front axle assembly .....	54
Oil shock absorbers assembly .....	55
Main gear box assembly .....	55
Rear axle assembly .....	56
Transmission gear box assembly .....	57
Car body assembly 1 .....	58
Car body assembly 2 .....	59
Car body assembly 3 .....	60
Chassis exploded-view .....	61
General list of accessories (I) .....	62
General list of accessories (II) .....	63
General list of accessories (III) .....	64

# SAFETY PRECAUTIONS

## Introduction

This model is a sophisticated hobby product and not a toy. It must be operated using caution and common sense. Beginners should seek the advice of experienced hobbyists to ensure that the model is properly built, run and maintained.

Some mechanical knowledge and ability is expected of the hobbyist, as failure to operate and maintain this model may result in property damage, serious injury or even death.

This model is not intended for use by children without proper adult supervision.

Please follow the instructions and all posted warnings within this manual in order to properly assemble, setup, use and maintain this model.

## Safety, precautions and warnings

**This model is controlled by a radio signal that is subject to interference from many sources outside your control. This interference can cause momentary loss of control so it is necessary to always keep a safe distance in all directions around your model, as this will help to avoid collisions or injury.**

- Always operate your model in an open area away from cars, traffic, or people.
- Never operate your model with low transmitter batteries.
- Carefully follow the directions and warnings for this product and any optional support equipments (chargers, rechargeable battery packs, etc.) that you use.
- Keep all parts, chemical solvents, oils and electrical components out of the reach of children.
- Moisture may cause damage to electronic components over time. Ensure that all electronic components, even waterproof components, are fully dried out after every run. Never run your model in salt-water.

## CE compliance information for the european union

The associated regulatory agencies of the following countries recognize the noted certifications for this product as authorized for sale and use.

UK	DE	DK	BG	SE	GZ	ES	NL	SK	HU	RO	FR	PT
FI	EE	LV	LT	PL	AT	CY	SI	GR	MT	IT	IE	LU

Declaration of Conformity

Products: 2.4GHz Controller

Equipment Class: 2

The objects of declaration described above are in conformity with the requirements of the specifications listed below.

Item Name : 2.4GHz Controller

The RED Directive 2014/53/EU

EN 60950-1:2006 + A11:2009 + A1:2010 + A12:2011 + A2:2013

EN 300 328 V2.1.1:2016

EN 301 489-1 V2.1.1:2017

EN 301 489-17 V3.1.1:2017



### FCC ID 2ARE7-91805

Statement - This device complies with Part 15 of the FCC Rules.

Operation is subject to the following two conditions:

1. this device may not cause harmful interference, and,
2. this device may not cause harmful interference, and including interference that may cause undesired operation.

Changes or modifications not expressly approved by the party responsible for compliance could void the user's authority to operate the equipment.

### RF Exposure Warning:

This equipment complies with FCC radiation exposure limits set forth for an uncontrolled environment. And should be operated with minimum distance of 20 cm between the antenna & your body.

## RADIO SYSTEM INSTRUCTION MANUAL

Please read this manual carefully prior to using. We are not responsible for any intentional damage or improper use. If you require any additional information or have any questions about the product or its use, please contact us via ([www.rochobby.com](http://www.rochobby.com)).

This product is not a toy! (14+) Recommended for ages 14 and up. Adult supervision required for ages under 18 years old. Contains small parts, keep out of reach of children 3 years of age and younger.

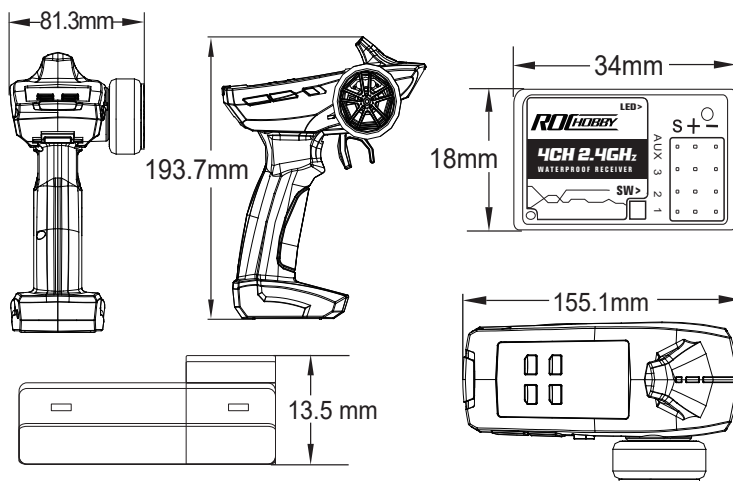


Your model is equipped with an advanced 2.4GHz radio system. This system uses a frequency hopping spread spectrum technology that allows for minimal interference operation.

Prior to operating your new radio system, please take a few minutes to familiarize yourself with the various features and functionality of the system by reading this instruction manual thoroughly.

### Specifications

Model		TX
Configuration		Pistol grip
Frequency Band		2.4 GHz
Frequency Range		2405.0~2478.0
Output Power		0.0054Watts
Channels		4CH
Battery		AA x4
Dimensions	Length(mm)	155.10
	Height(mm)	193.70
	Width(mm)	81.30

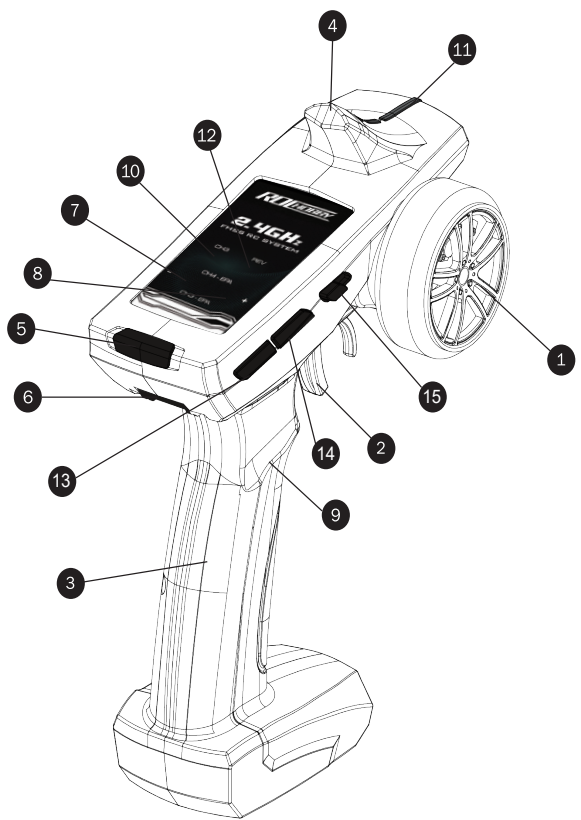


# Warranty

The ROCHOBBY 4 channel radio system is guaranteed to be free from defects in materials and workmanship within 30 days of the purchase of the product. If the product has been mishandled, abused, used incorrectly or used for an application other than its intended purpose- ROCHOBBY is not liable for any loss or damage, whether direct or indirect, incidental or consequential, or from any special situatuon, arising from the use, misuse, or abuse of this product.

# RADIO SYSTEM INSTRUCTION MANUAL

## Function operation introduction

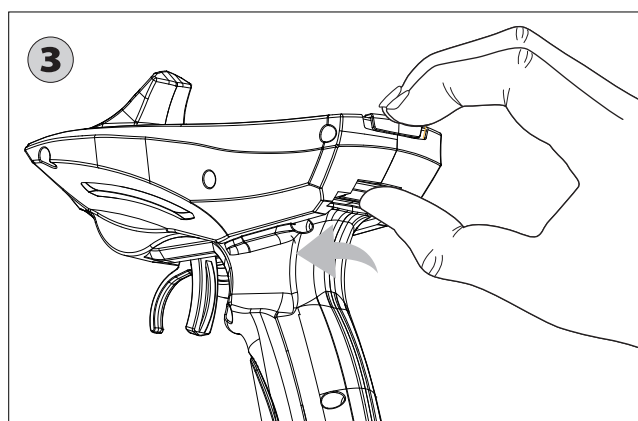
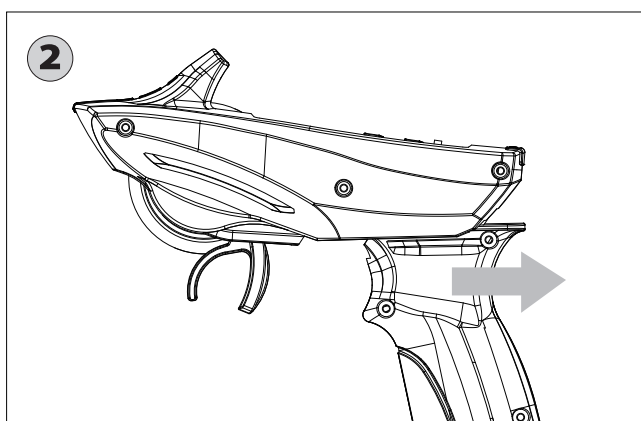
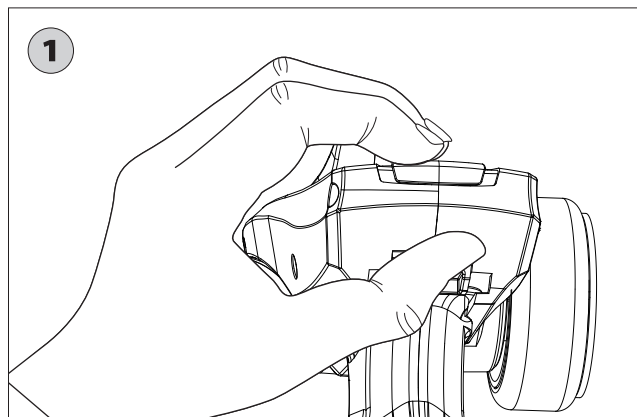


- 1. Steering Wheel: Controls the steering function of the model.
- 2. Throttle Trigger: Controls forward / reverse / brake motion(designed to be operated with index finger).
- 3. Hand Grip: For holding the transmitter.
- 4. Antenna:Transmits signal to the receiver located in the vehicle.
- 5. Power switch:Turns the transmitter ON / OFF.

- 6. Handle release latch.
- 7. CH3-EPA+/-
- 8. CH4-EPA+/-
- 9. Battery compartment: Houses [4] AA batteries
- 10. Channel 3 key.
- 11. LED.
- 12. Reverse:
  - 1: Turn and hold the steering wheel to the left or right while simultaneously pressing the REV button. An audible note is emitted and the steering channel will be reversed.
  - 2: Push or pull the throttle trigger to its maximum position while simultaneously pressing the REV button. An audible note is emitted and the throttle channel will be reversed.
  - 3: Press CH3 and REV simultaneously. An audible note is emitted and CH3 will be reversed.
- 13. ST DR/ST TRIM: Please turn the wheel to left or right with Max angle, and press ST-TRIM+ or ST-TRIM-, then adjust the angle of ST.
- 14. TH DR/ TH TRIM: Please pull or push the throttle to its maximum position, then press the TH-TRIM+ or TH-TRIM - button to adjust the maximum output of the throttle channel.  
When adjusting the trim, the transmitter will emit an audible note for every click of trim. When the trim has been centered, the transmitter will emit two audible notes.  
When adjusting the dual rates, an audible note will be emitted with every click of the dual rate. Two notes signify the dual rate is at its maximum or minimum.
- 15. Channel 4 key.

## Removing or replacing the handle


1. Pull the handle release latch.
2. Pull back on the handle to release the handle from the transmitter itself.
3. To replace the handle, pull back on the handle release latch and push the handle back onto the transmitter.



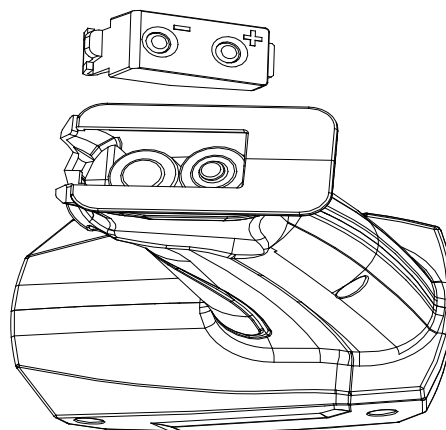
## Battery installation

This transmitter accepts alkaline or NiMH AA batteries. There is a built in low voltage warning where when the voltage is lower than 4.5V +/- 0.2, the buzzer will sound continuously and the LED will flash. This is to remind the user to change the batteries for fresh units.

1. Remove the battery cover from the transmitter.
2. Insert four new AA batteries according to the polarity markings on the battery holder.
3. Reinstall the battery cover.

 Warning: do not attempt to charge non-rechargeable batteries, you may cause an explosion.

Warning: please don't reserve the battery, or it will burn out the PCB.



## Channel connection

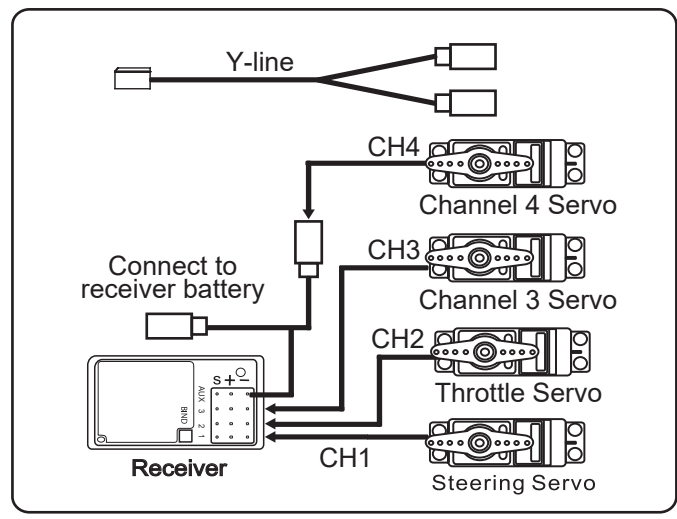
- Channel 1: Controlled by the wheel, connect to a servo for steering.
- Channel 2: Controlled by the trigger, connect to the ESC or a servo for throttle/brake.
- Channel 3: Controlled by the adjustment knob (0-100%) for optional use. This port can also be used to connect a transponder device used in racing.
- AUX (Channel 4): Controlled by button (ON/OFF) for optional use. This port is most commonly used for LED light kits. Use this port to connect an external battery for use with gas powered vehicles.

## Receiver installation & connection

### Installation

To achieve full operating range with your radio system it is critical that the receiver antenna be undamaged and installed properly. It should be installed with as much of the antenna as possible in a vertical position. The end of the antenna should be contained inside an antenna tube. When installing:

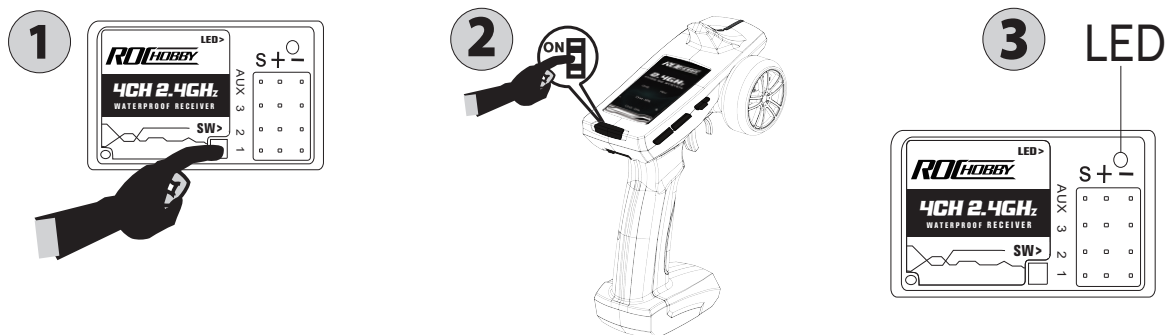
- Ensure there are no kinks in the antenna or antenna tube.
- Never fold the end of the antenna over the tube, this will reduce the operating range of the system and damage the antenna.
- Ensure the receiver is mounted securely or padded against hard impacts.



## Pairing the transmitter & receiver

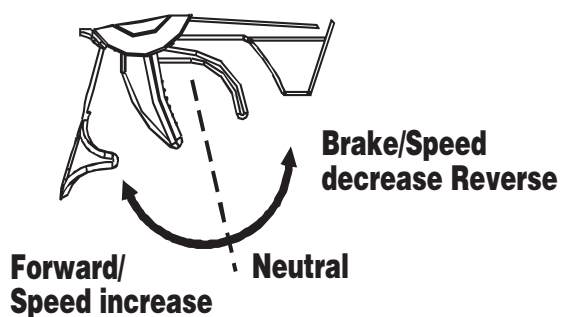
1. Turn on the receiver power. Press the SW switch. The receiver's LED should start flashing.
2. Turn on the transmitter.
3. When the LED on the receiver becomes solid, the binding process is completed.

Note: Radio systems installed in RTRs have already been paired. Only when installing a new transmitter or receiver is the above process necessary.

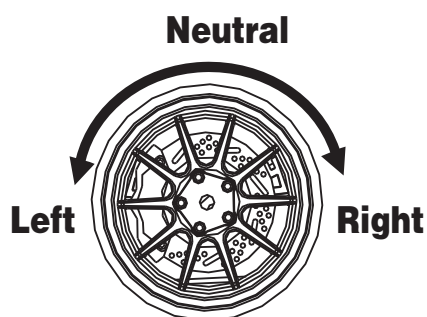


## Operation

### A. THROTTLE TRIGGER



### B. STEERING WHEEL



1. Push the trigger forward to slow down or brake.
2. Pull the trigger backward to accelerate.

## Fail safe function setting

Turn on the TX, keep the throttle at the fail safe point, press the SW button on the receiver for about 2 seconds. The LED should flash for 5 seconds, release the SW button and TH trigger, then turn off the TX.

## General care

1. Always use clean, dry cloth or soft bristle brush to clean your equipment.
2. Never use chemical cleansers, as these could damage the sensitive electronics and plastics.

# ESC SYSTEM MANUAL

## Features

1. Waterproof and dust-proof for all weather operations.
2. Compact sizing with built in capacitor module.
3. Automatic throttle range calibration.
4. Multiple protections: Low voltage cut-off protection for Lipo or NiMH battery / Over-heat protection / Throttle signal loss protection.
5. Easily programmed with the jumpers.

## Specifications

Model		WP-1060-BRUSHED
Cont. / Burst Current		Forward: 60A / 360A    Backward: 30A / 180A
Input		2-3S Lipo, 5-9 Cells NiMH
Vehicles applicable		1:10 on-road, off-road Buggy, Truggy, SCT    1:10 Crawlers, Tank & Boat
Motor Limit	2S Lipo or 5-6 cells NiMH	540 or 550 size motor ≥ 8T or RPM <45000 @7.2V
	3S Lipo or 7-9 cells NiMH	540 or 550 size motor ≥13T or RPM <30000 @7.2V
Resistance		Fwd: 0.0008 Ohm, Bwd: 0.0016 Ohm
Built-in BEC		3A/6V (Switch mode BEC)
Dimension&Weight		36*30*18, 40g

## ESC setup

**Attention:** The incorrect polarity will damage the ESC immediately.

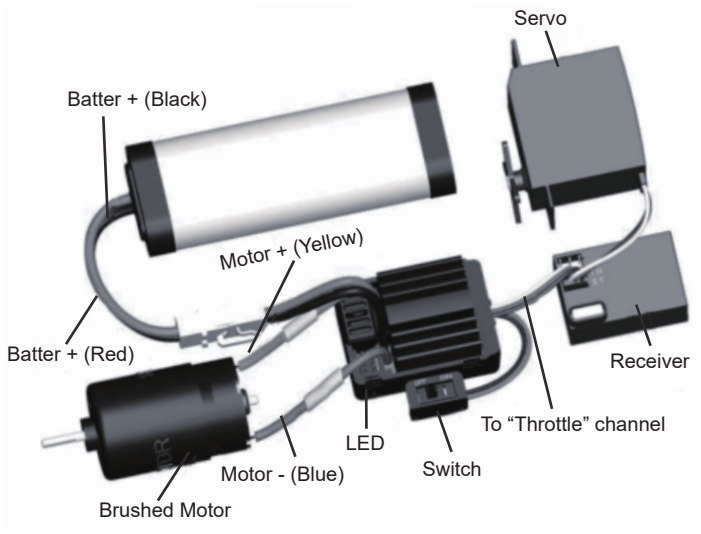
### 1. Connect the ESC, motor, receiver, battery and servo according to the following diagram

- Ensure that the + and - wires of the ESC are connected to the battery pack.
- The control cable of the ESC is connected to the throttle channel of the ESC (Usually CH2).
- The motor + and motor - cables are connected to the motor in any order, if the motor runs in reverse, reverse the cables.

### 2. Set the Transmitter

Please set the "D/R", "EPA" and "ATL" to 100% for throttle channel (for transmitter without LCD, please turn the knobs to the maximum value), and set the "TRIM" of the throttle channel to 0 (for transmitter without LCD, please turn the TRIM knob to its neutral position).

For Futaba TM and the similar transmitters, the direction of throttle channel shall be set to "REV", while other radio systems shall be set to "NOR". The "Fail Save" function of the radio system is strongly recommended to be activated. Please make sure that the motor can be stopped when the "Fail Save" happens.



### 3. Throttle Range Setting (Throttle Range Calibration)

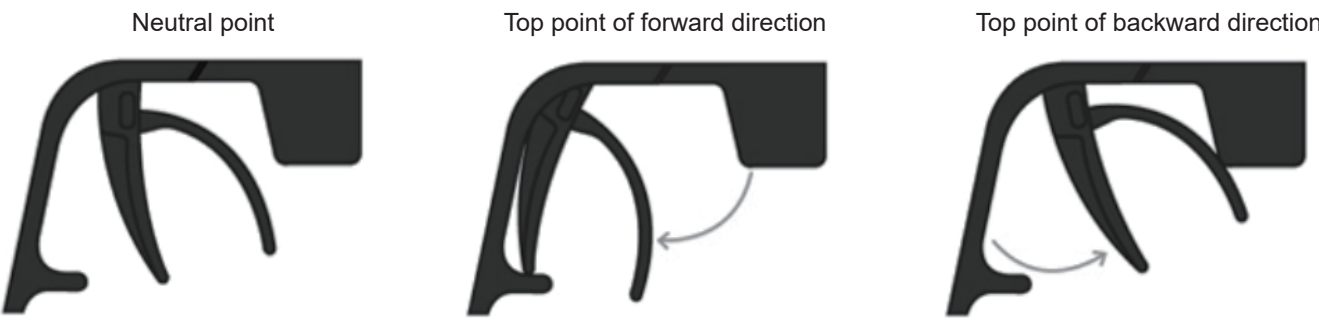
In order to make the ESC match the throttle range of different transmitters, the calibration of the ESC is necessary. To calibrate the ESC, please turn on the transmitter, keep throttle stick at its neutral position, wait for 3 seconds to let the ESC execute self-test and automatic throttle calibration. When the ESC is ready to run, a long beep sound is emitted from the motor.

**Note:** Please calibrate the throttle range again when using a new transmitter or changing the settings of the neutral position of throttle channel, D/R, ATV, ATL or EPA parameters, otherwise the ESC may not work properly.

### Audible warnings and LED status

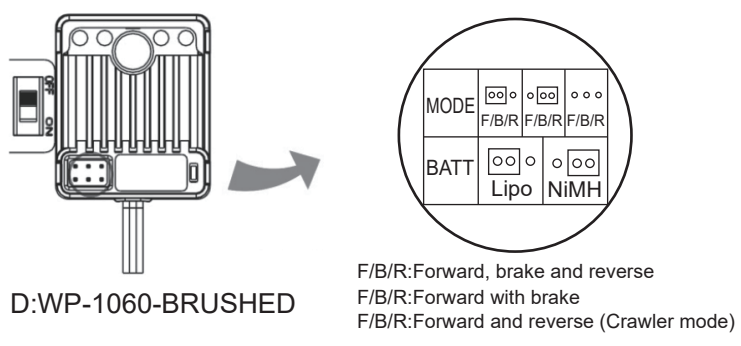
Beep meaning	LED Status
<ul style="list-style-type: none"> <li>1 short beep: The battery is NiMH/NiCd</li> <li>2 short beeps: The battery is 2S Lipo</li> <li>3 short beeps: The battery is 3S Lipo</li> <li>4 short beeps: The battery is 4S Lipo</li> <li>1 long beep: Self-test and throttle calibration is OK, the ESC is ready to run</li> </ul>	<ul style="list-style-type: none"> <li>When the throttle stick is in neutral range, red LED is off</li> <li>Forward, brake or reverse at partial throttle, red LED blinks</li> <li>Forward, brake or reverse at full throttle, red LED is solid</li> </ul>

### Throttle stick position



### Set the ESC

1. The ESC is programmed by the jumpers (Tweezers are recommended to plug and unplug the jumper).



## Protection functions

1. Low voltage Cut-off (LVC) protection: If the voltage of battery pack is lower than the threshold for 2 seconds, the ESC will enter the protection mode.  
When the car stops, the red LED blinks to indicate the low voltage cut-off protection has been activated.

**Table A:** LVC protection for WP-1060-BRUSHED

2S Lipo	3S Lipo
Output reduces 50% at 6.5V Output cuts off at 6.0V, cannot be recovered.	Output reduces 50% at 9.75V Output cuts off at 9.0V, cannot be recovered.

2. Over-heat protection: When the internal temperature of the ESC is higher than 100 Celsius degree or 212 Fahrenheit degree for 5 seconds, the ESC will reduce and cut off the output power.  
When the car stops, the red LED blinks to indicate the over-heat protection has been activated. If the ESC cools down to 80 Celsius degree (176 Fahrenheit degree) the output power is recovered to normal state.

3. Throttle signal loss protection: The ESC will cut off the output power if the throttle signal has been lost for 0.1 second. The "Fail Save" function of the radio system is strongly recommended to be activated.

## Troubleshooting

Fault	Possible Reason	Drivetrain fault Solution
After power on, motor doesn't function, no sound is emitted and LED is off.	The ESC isn't receiving enough voltage or the connection between the battery pack and ESC is broken.	Check the battery wires connection or replace the defective connectors.
	Switch is damaged.	Replace the switch.
After power on, motor doesn't function; red LED blinks.	Throttle signal is abnormal.	Check the throttle wire connection; make sure it is plugged into the throttle channel of the receiver.
	Automatic throttle calibration has failed.	Set the "TRIM" of throttle channel to 0 or turn the knob to its neutral position.
The model reverses when throttle is given ( the motor runs in the opposite direction).	The wire connections between ESC and the motor need to be changed.	Swap two wire connections between the ESC and the motor.
The model does not reverse.	The jumper position is wrong.	Check the jumper and plug it to the correct position.
	The neutral point of throttle channel is changed or drifted.	Set the "TRIM" of throttle channel to 0 or turn the knob to its neutral position.
The model only reverses.	The direction of throttle channel is not correct.	Reset the direction of throttle channel from original "NOR" to "REV", or from original "REV" to "NOR".
The motor doesn't work, but the LED in the ESC works normally.	The connections between motor and ESC are broken.	Check the connections and replace the defective connectors.
	Motor is damaged.	Replace the motor.



Fault	Possible Reason	Drivetrain fault Solution
The motor suddenly stops running while in working state.	The throttle signal is lost.	Check the transmitter and the receiver. Check the throttle wire connection.
	Low voltage cut-off protection or Over-heat cut-off protection has been activated.	Replace the battery pack, or cool down the ESC.
The model cannot reach its maximum speed and the red LED does not become solid at full throttle.	The transmitter is improperly setup.	Check the settings. Set D/R, EPA, ATL to 100% or turn the knobs to maximum value. Set TRIM to 0 or turn the knob to its neutral position.
Motor is cogging when accelerated quickly.	The battery has limited discharge ability.	Use battery with better discharge ability.
	Motor RPM is too high, the gear ratio is too aggressive.	Use motor with lower RPM, or use smaller pinion to get softer gear ratio.
	Something wrong in the driving system of the car.	Check the drivetrain of the vehicle.

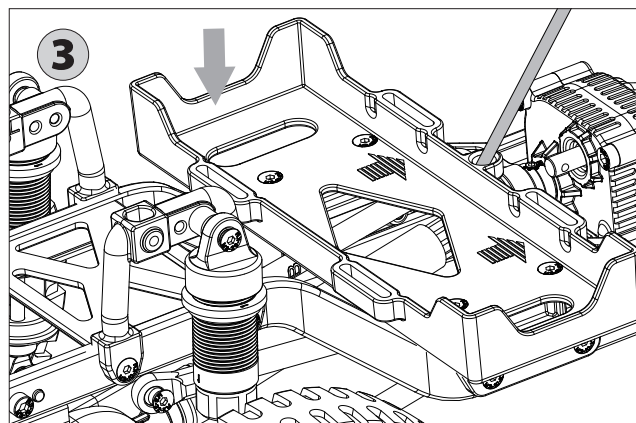
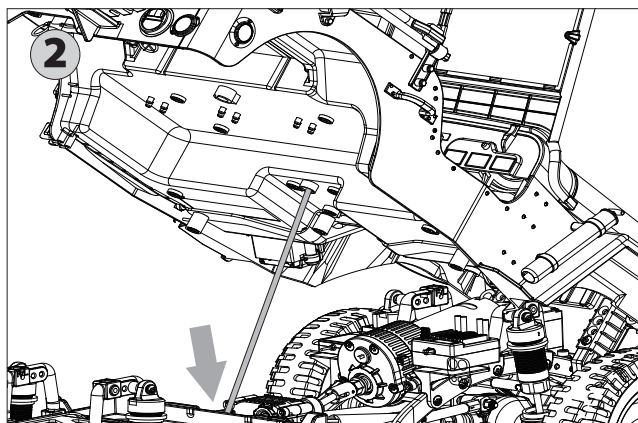
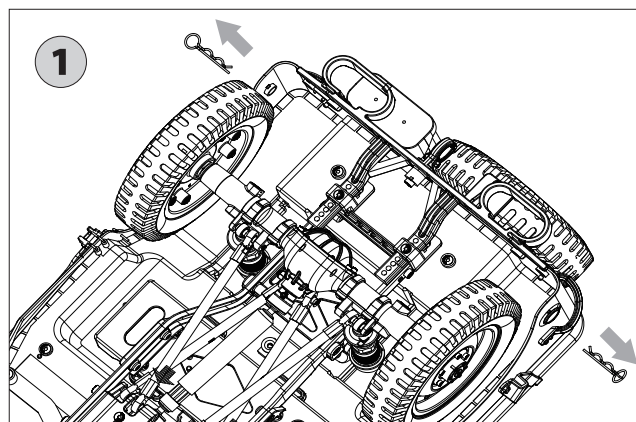
## VEHICLE SETUP

### Connecting the battery

STEP 1: Release the two body clips.

STEP 2: Lift the vehicle body and place the brace rod between the chassis and body.

STEP 3: Place the battery in the battery box then connect the battery plug (T-plug or XT60 plug).



## WIPER INSTALLATION, LIFTING AND RETRACTING THE WINDSHIELD

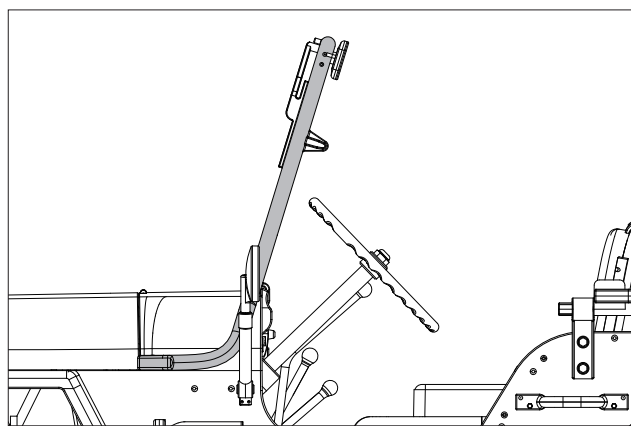
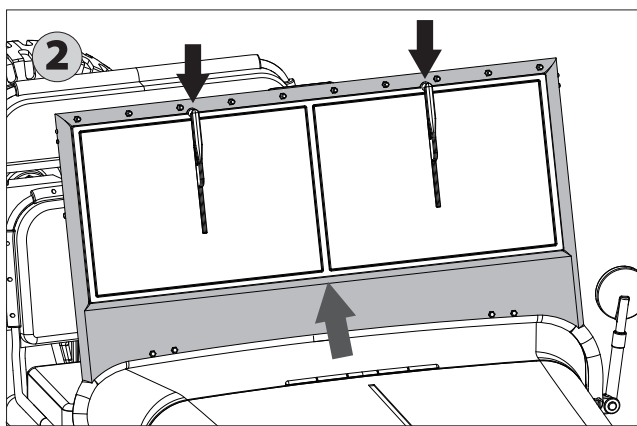
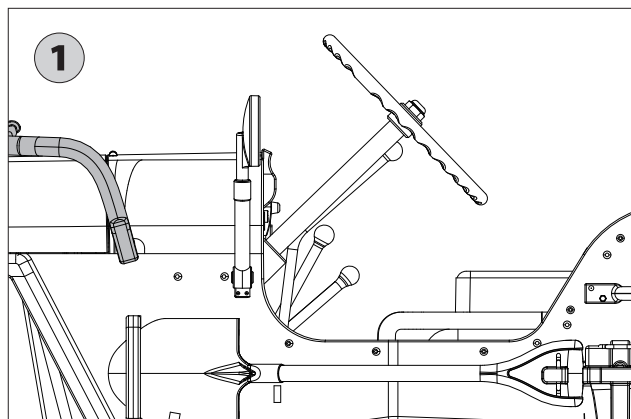
Install the windshield wipers by referencing the diagram below.

Step1: Please install the wipers in the diagram2 position.

Step2: Lift the windshield assembly.

Step3: Gently press on the center of the windshield, the component will bend and lock onto the hood.

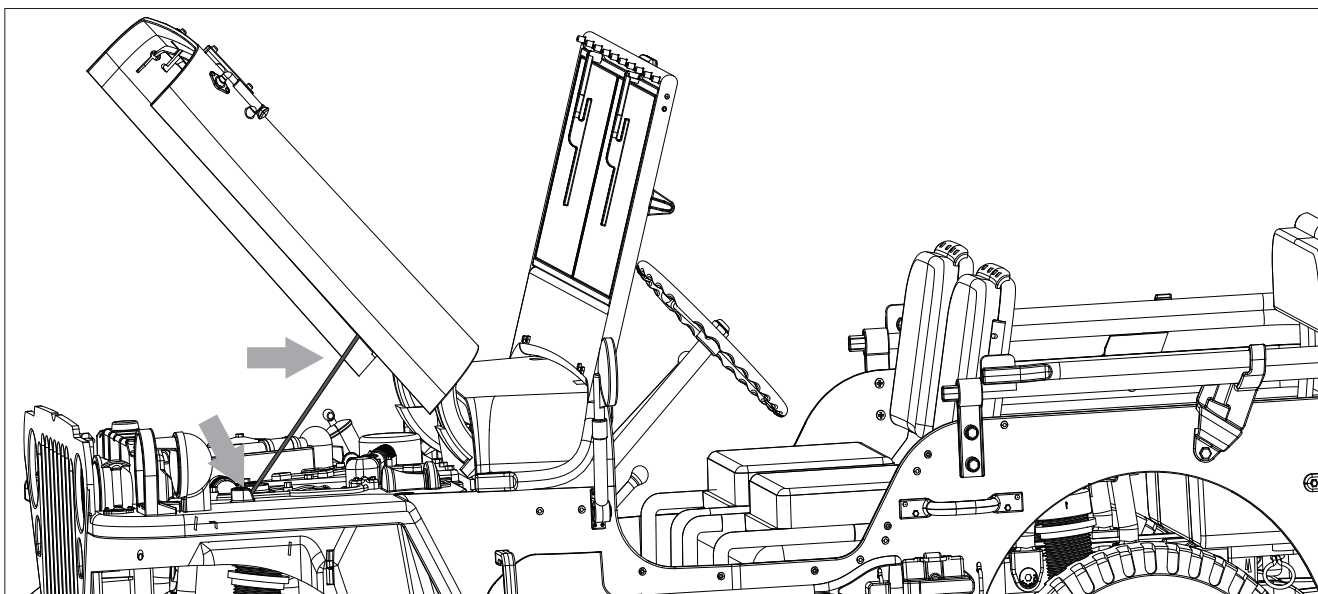
Pressing on the center of the windshield again will allow for the windshield to be retracted.



## OPENING THE HOOD

Step1: Lift the hood up.

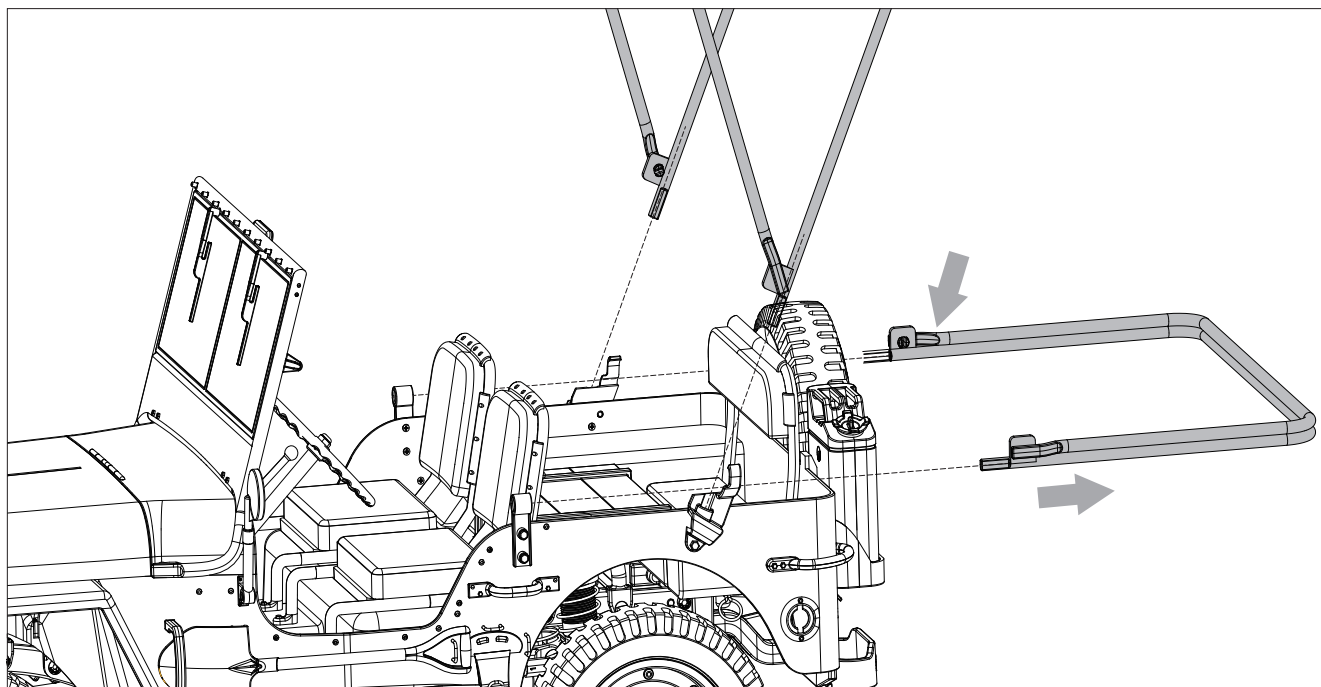
Step2: Move the hood strut onto the engine compartment to keep the hood in place.



## SETTING UP THE CANVAS BRACKET

Step1: Pull out the canvas bracket.

Step2: Insert the canvas bracket into the bracket mount.



## OPERATING THE VEHICLE

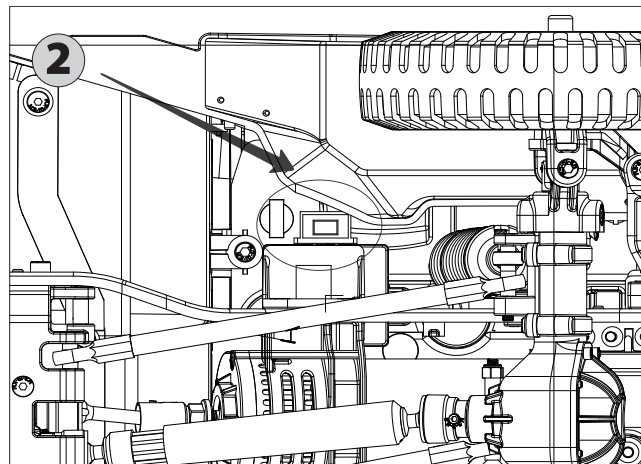
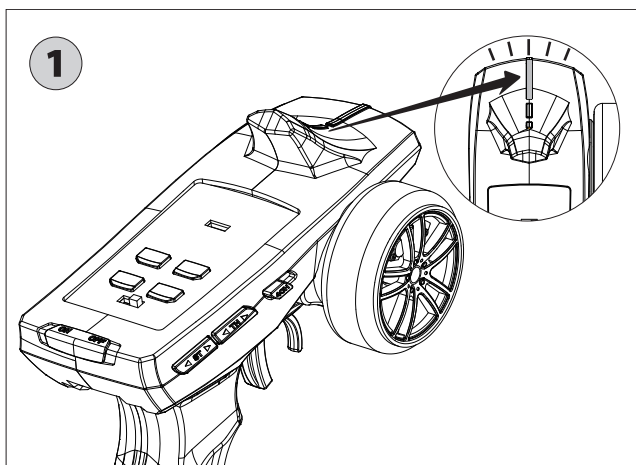
Step 1: Turn on the transmitter- the status LED will turn blue and an audible tone will be emitted.

Step 2: Power on the vehicle by turning on the ESC switch. The front lights will illuminate and an audible sound will be emitted. After the receiver confirms that a transmitter signal has been received, it will emit another audible tone.

The above guidelines, must be installed the battery.

This vehicle is equipped with a slipper. If the vehicle loses transmission traction, please check the slipper tension and replace if necessary.

Spare parts C1067 SLIPPER PAD.



## TABLE OF CONTENTS

Sicherheitshinweise .....	16
Bedienungsanleitung Fernsteuerung .....	17
Bedienungsanleitung Fahrtenregler (ESC) .....	21
Setup Fahrzeug .....	25
Demontage der Windschutzscheibe .....	26
Öffnen der Motorhaube .....	26
Montage des Verdeckgestänges .....	27
Betrieb des Fahrzeuges .....	27
Explosionszeichnung der Vorder- und Hinterräder .....	53
Explosionszeichnung der Vorderachse .....	54
Explosionszeichnung der Stoßdämpfer .....	55
Explosionszeichnung des Getriebes .....	55
Explosionszeichnung der Hinterachse .....	56
Explosionszeichnung der Getriebebox / Achsabtrieb .....	57
Explosionszeichnung der Karosserie 1 .....	58
Explosionszeichnung der Karosserie 2 .....	59
Explosionszeichnung Karosserie 3 .....	60
Explosionzeichnung des Chassis .....	61
Teileliste (I) .....	65
Teileliste (II) .....	66
Teileliste (III) .....	67

# SICHERHEITSHINWEISE

## Introduction

This model is a sophisticated hobby product and not a toy. It must be operated using caution and common sense. Beginners should seek the advice of experienced hobbyists to ensure that the model is properly built, run and maintained.

Some mechanical knowledge and ability is expected of the hobbyist, as failure to operate and maintain this model may result in property damage, serious injury or even death.

This model is not intended for use by children without proper adult supervision.

Please follow the instructions and all posted warnings within this manual in order to properly assemble, setup, use and maintain this model.

## Safety, precautions and warnings

**This model is controlled by a radio signal that is subject to interference from many sources outside your control. This interference can cause momentary loss of control so it is necessary to always keep a safe distance in all directions around your model, as this will help to avoid collisions or injury.**

- Always operate your model in an open area away from cars, traffic, or people.
- Never operate your model with low transmitter batteries.
- Carefully follow the directions and warnings for this product and any optional support equipments (chargers, rechargeable battery packs, etc.) that you use.
- Keep all parts, chemical solvents, oils and electrical components out of the reach of children.
- Moisture may cause damage to electronic components over time. Ensure that all electronic components, even waterproof components, are fully dried out after every run. Never run your model in salt-water.

## CE compliance information for the european union

The associated regulatory agencies of the following countries recognize the noted certifications for this product as authorized for sale and use.

UK	DE	DK	BG	SE	GZ	ES	NL	SK	HU	RO	FR	PT
FI	EE	LV	LT	PL	AT	CY	SI	GR	MT	IT	IE	LU

Declaration of Conformity

Products: 2.4GHz Controller

Equipment Class: 2

The objects of declaration described above are in conformity with the requirements of the specifications listed below.

Item Name : 2.4GHz Controller

The RED Directive 2014/53/EU

EN 60950-1:2006 + A11:2009 + A1:2010 + A12:2011 + A2:2013

EN 300 328 V2.1.1:2016

EN 301 489-1 V2.1.1:2017

EN 301 489-17 V3.1.1:2017

### FCC ID 2ARE7-91805

Statement - This device complies with Part 15 of the FCC Rules.

Operation is subject to the following two conditions:

- 1. this device may not cause harmful interference, and,
- 2. this device may not cause harmful interference, and,including interference that may cause undesired operation.

Changes or modifications not expressly approved by the party responsible for compliance could void the user's authority to operate the equipment.

### RF Exposure Warning:

This equipment complies with FCC radiation exposure limits set forth for an uncontrolled environment. And should be operated with minimum distance of 20 cm between the antenna & your body.

## BEDIENUNGSANLEITUNG FERNSTEUERUNG

Please read this manual carefully prior to using. We are not responsible for any intentional damage or improper use. If you require any additional information or have any questions about the product or its use, please contact us via ([www.rochobby.com](http://www.rochobby.com)).

This product is not a toy! (14+) Recommended for ages 14 and up. Adult supervision required for ages under 18 years old. Contains small parts, keep out of reach of children 3 years of age and younger.

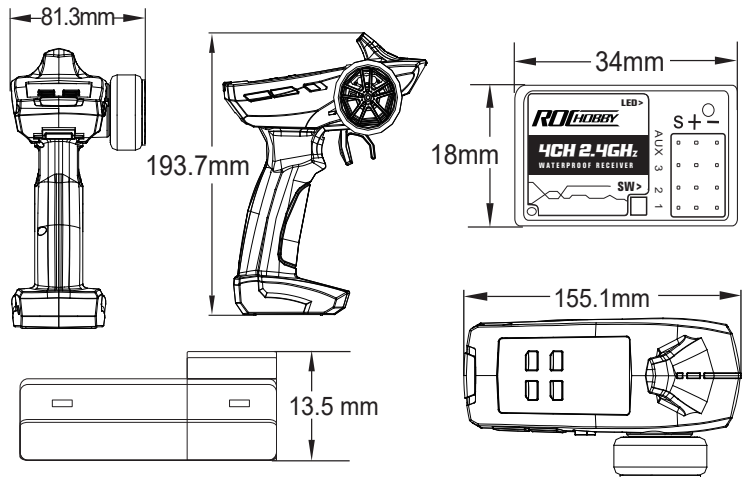


Your model is equipped with an advanced 2.4GHz radio system. This system uses a frequency hopping spread spectrum technology that allows for minimal interference operation.

Prior to operating your new radio system, please take a few minutes to familiarize yourself with the various features and functionality of the system by reading this instruction manual thoroughly.

### Spezifikationen

Modell		TX
Konfiguration		Pistolensender
Frequenzband		2.4 GHz
Bandbreite		2405.0~2478.0
Ausgangsleistung		0.0054Watts
Kanäle		4CH
Batterien		AA x4
Abmessungen	Länge(mm)	155.10
	Höhe(mm)	193.70
	Breite(mm)	81.30

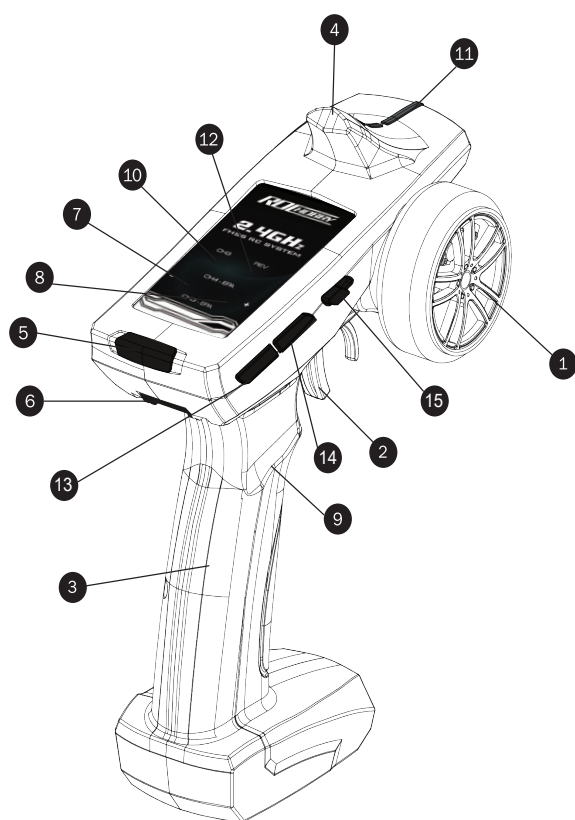


## Warranty

The ROCHOBBY 4 channel radio system is guaranteed to be free from defects in materials and workmanship within 30 days of the purchase of the product. If the product has been mishandled, abused, used incorrectly or used for an application other than its intended purpose- ROCHOBBY is not liable for any loss or damage, whether direct or indirect, incidental or consequential, or from any special situation, arising from the use, misuse, or abuse of this product.

## BEDIENUNGSANLEITUNG FERNSTEUERUNG

### Die Funktionen im Überblick



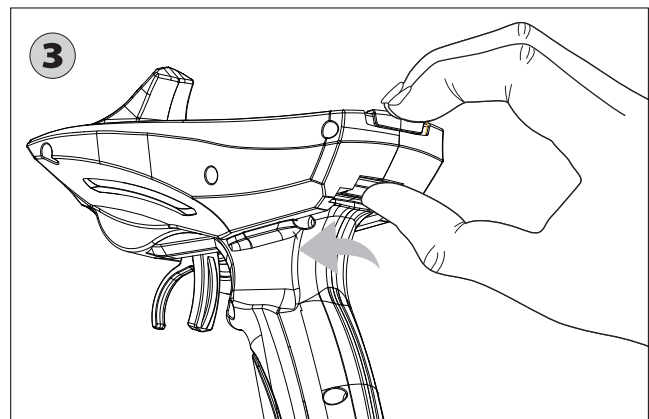
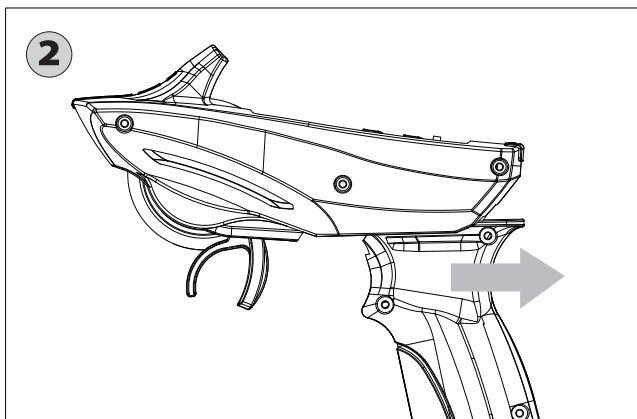
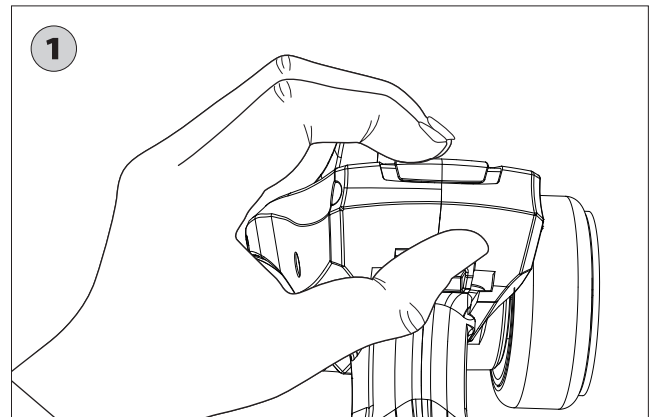
1. Lenkrad: Kontrolliert die links / recht Steuerfunktion des Modells.
2. Gashebel: Kontrolliert die vorwärts / rückwärts /Bremsfunktion. (Wird mit dem Zeigefinger bedient).
3. Senderhandgriff.
4. Senderantenne: Die Antenne überträgt das Fernsteuer-signal zu dem im Fahrzeug montierten Empfänger.
5. owerschalter: Schaltet die Fernsteuerung Ein (ON) und Aus (OFF)
6. Hebel zum lösen des Griffes.

7. CH3-EPA+/-
8. CH4-EPA+/-
9. Batteriefach: Für vier (4) AA Batterien.
10. Kanal 3 Taster.
11. LED.
12. Reversieren (Umdrehen) der Fernsteuerfunktionen
  - 1: Halten Sie das ganz nach links oder rechts eingeschlagene Lenkrad und drücken gleichzeitig den REV Button. Sie hören dann einen Ton und der Steuerkanal ist reversiert.
  - 2: Drücken oder ziehen Sie den Gashebel bitte ganz zum Anschlag und drücken gleichzeitig den REV Button. Sie hören dann einen Ton und der Gaskanal ist reversiert.
  - 3: Drücken Sie den Kanal 3 Taster und drücken gleichzeitig den REV Button. Sie hören dann einen Ton und der Kanal 3 ist reversiert.
13. ST DR/ST TRIM: Einstellen des maximalen Lenkausschlages Drehen sie das Lenkrad zum maximalen Ausschlag und stellen dann mit Druck auf die Tasten ST-TRIM+ oder ST-TRIM- den maximalen Lenkausschlag der Vorderachse ein.
14. DR/ TH TRIM: Drücken oder ziehen Sie den Gashebel auf die maximale Position und drücken dann den TH-TRIM+ oder TH-TRIM -Button um die maximale Leistung des Gaskanals einzustellen.  
Bei dem Einstellen der Trimmfunktionen hören Sie für jeden Klick einen Quittungston. Steht die Trimmung in der Mitte hören Sie zwei Töne.  
Bei dem Einstellen der Dual Ratefunktion hören Sie für jeden Klick einen Quittungston. Befindet sich diese Position auf Minimum oder Maximum hören Sie zwei Töne.
15. Channel 4 key.



## Entfernen des Handgriffes

1. Drücken Sie die Öffnungslasche.
2. Ziehen Sie den Griff von dem Oberteil der Fernsteuerung nach hinten.
3. Um den Griff wieder einzusetzen drücken Sie bitte erneut die Öffnungslasche runter und schieben den Griff wieder in das Oberteil der Fernsteuerung.



## Einsetzen der Batterien in die Fernsteuerung.

Die Fernsteuerung ist für den Betrieb mit Alkaline Batterien oder NIMH Akkus der Größe AA ausgelegt. Die eingebaute Unterspannungswarnung wird aktiv wenn die Spannung unter 4,5V +/- 0,2 fällt. Zur Erinnerung, dass die Akkus geladen oder Batterien gewechselt werden müssen ertönt ein Piepton und die LED blinkt.

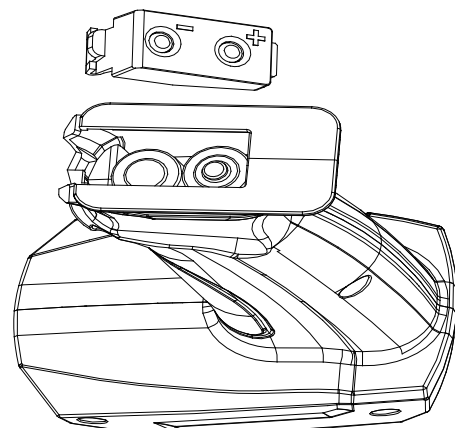
1. Nehmen Sie den den Batteriefachdeckel vom Sender ab.
2. Setzen Sie vier (4) neue AA Batterien polrichtig in die Fernsteuerung ein und achten dabei auf die Plus (+) und Minus (-) Markierungen im Deckel.
3. Setzen Sie den Batteriefachdeckel wieder auf.



Warnung: Versuchen Sie niemals nicht aufladbare Batterien aufzuladen, es besteht dabei akute Explosionsgefahr!

Warnung: Bitte reservieren Sie den Akku nicht, da sonst die Platine durchbrennt.

(Note to FMS: The yellow mark says reserve, the correct english word should be reverse.)





## Anschluss der Steuerkanäle

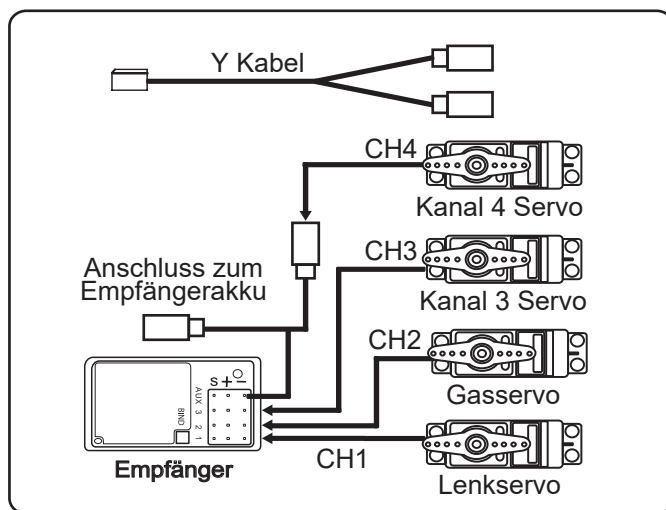
- Kanal 1: Wird durch das Lenkrad kontrolliert. Schließen Sie hier bitte das Lenkservo an.
- Kanal 2: Wird durch den Gashebel kontrolliert. Schließen Sie hier einen Fahrtregler (ESC) oder ein Servo für Gas / Bremse an.
- Kanal 3: Optional zu verwendener Drehregler (0- 100%). An diesem Anschluss kann auch bei dem Renneinsatz ein Transponder angeschlossen werden.
- AUX Kanal 4: Optional zu verwendener Kanal für LED Beleuchtungskit. Bei Verbrennerfahrzeugen nutzen Sie diesen Kanal zum Anschluss des Empfängerakkus.

## Empfängereinbau und Anschluss

### Einbau

Um die volle Reichweite der Fernsteuerung zu gewährleisten ist es notwendig, dass die Empfängerantenne unbeschädigt und korrekt eingebaut wird. Die Antenne sollte soweit wie nur möglich in vertikaler Position nach oben zeigend eingebaut werden und durch ein Antennenröhrchen geschützt sein. Bei dem Einbau:

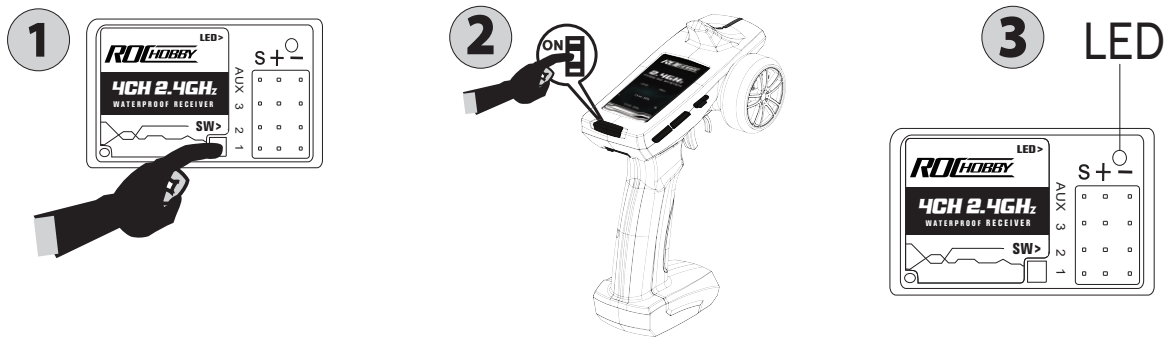
- Stellen Sie sicher, dass im Antennenröhrchen oder in der Antenne keine Knicke sind.
- Darf die Antennen niemals gefaltet sein, da das die Reichweite reduziert und die Antenne beschädigt.
- Achten Sie darauf, dass der Empfänger sicher befestigt ist und gegen harte Stöße geschützt.



## Binden von Sender und Empfänger

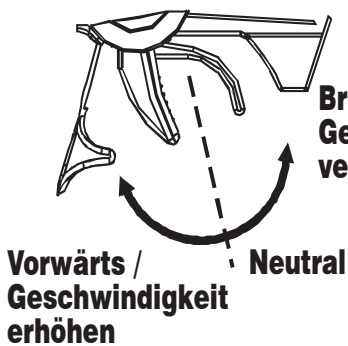
1. Schalten Sie den Empfänger ein. Drücken Sie den SW Taster. Die LED des Empfängers fängt an zu blinken. Die LED des Empfängers fängt an zu blinken.
2. Schalten Sie den Sender ein.
3. Der Bindevorgang ist beendet wenn die LED des Empfängers aufhört zu blinken.

Hinweis: Bei RTR Fahrzeugen ist die Fernsteuerung bereits gebunden und nur dann notwendig wenn ein anderer Sender oder Empfänger verwendet wird.

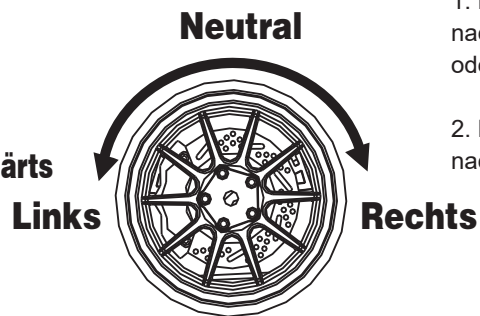


## Betrieb

### A. GASHEBEL



### B. LENKRAD



1. Drücken Sie den Gashebel nach vorne um zu verlangsamen oder zum Bremsen.
2. Drücken Sie den Gashebel nach hinten um zu beschleunigen.

## Einstellung der Fail Safe Funktion

Schalten Sie den Sender ein und halten den Gashebel in der gewünschten Failsafe-Position und drücken dann den SW Button auf dem Empfänger für 2 Sekunden. Die LED blinkt für 5 Sekunden. Lassen Sie SW Button und Gashebel los und schalten den Sender aus.

## Pflege

1. Reinigen Sie ihr Equipment mit einem trockenen sauberen Lappen.
2. Verwenden Sie keine chemischen Reiniger, da die empfindliche Elektronik und der Kunststoff sonst Schaden nehmen könnte.

## ANLEITUNG ESC FAHRTENREGLER

### Features

1. Staub- und Spritzwassergeschützt für den Einsatz bei allen Wetterbedingungen.
2. Kompakte Abmessungen mit eingebauten Kondensatormodul.
3. Automatische Gasweg-Kalibrierung.
4. Multipler Schutz: Niederspannungsabschaltung für LiPo oder NiMh Akku. Überhitzungsschutz, Signalverlustschutz.
5. Einfache Programmierung über Jumper.

## Spezifikationen

Model		WP-1060-BRUSHED
Kont - / Spitzenspannung		Vorwärts: 60A / 360A Rückwärts: 30A / 180A
Eingang		2-3S Lipo, 5-9 Cells NiMH
Geeignete Fahrzeuge		1:10 On-Road, Off-Road Buggy, Truggy, SCT 1:10 Crawler, Panzer & Boot
Motor Limit	2S Lipo oder 5-6 Zellen NiMH	540 oder 550 Größe Motor Motor $\geq 8T$ or RPM $< 45000 @ 7.2V$
	3S Lipo oder 7-9 Zellen NiMH	540 oder 550 Größe Motor $\geq 13T$ or RPM $< 30000 @ 7.2V$
Widerstand		Fwd: 0.0008 Ohm, Bwd: 0.0016 Ohm
Eingebautes BEC		3A/6V (Switch mode BEC)
Abmessungen & Gewicht		36*30*18, 40g

## ESC Setup

**Achtung: Eine falsche Polarität beschädigt sofort den Regler!**

### 1. Schließen Sie den Regler (ESC), Motor, Empfänger, Akkus und Servos wie abgebildet an.

Stellen Sie sicher dass die Plus (+) und Minus (-) Kabel des Reglers an den Akku angeschlossen sind.

Das Anschlusskabel des Reglers ist in den Gaskanal des Empfängers gesteckt (Normalerweise Kanal 2)

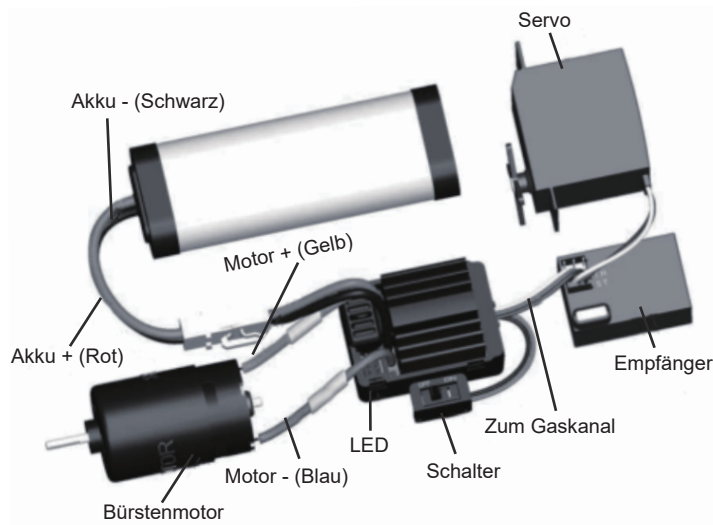
Die Motorkabel sind an dem Motor angeschlossen. Sollte dieser falsch herum laufen drehen sie die Kabel.

### 2. Sendereinstellungen

Bitte stellen Sie für den Gaskanal die D/R, "EPA" and "ATL" Regler auf 100 %. ( Für Sender ohne LCD Display drehen sie bitte den Trim Regler auf die Neutralposition.

Für Futaba TM und vergleichbare Sender sollte die Richtung des Gaskanal auf "REV" gestellt werden, bei allen anderen Fernsteuerungen sollte der Gaskanal auf "NOR" gestellt werden.

Wir empfehlen dringend die Fails Safe Funktion der Fernsteuerung zu aktivieren. Bitte achten Sie darauf, dass im Fail Safe Fall der Motor gestoppt wird.



### 3. Einstellung des Gasweges (Kalibrierung)

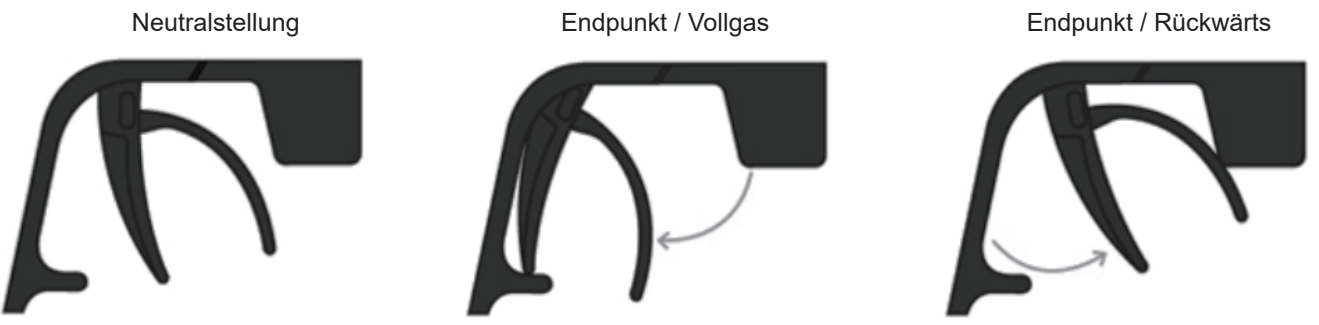
Damit der Fahrtenregler (ESC) mit verschiedenen Fernsteuerungen betrieben werden kann, ist eine Kalibrierung des Reglers notwendig. Um den Regler zu kalibrieren, schalten Sie den Sender ein und halten dabei den Gashebel in neutraler Position. Warten Sie für drei Sekunden, der Regler führt in dieser Zeit einen Selbsttest und eine automatische Kalibrierung durch. Ist der Regler betriebsbereit hören sie einen langen Piepton.

**Hinweis:** Bitte führen Sie eine erneute Kalibrierung durch wenn sie eine neue Fernsteuerung verwenden oder die Einstellung der D/R, ATV, ATL oder EPA Parameter geändert haben da sonst der Regler nicht richtig funktionieren kann.

### Audiowarnungen und LED Status

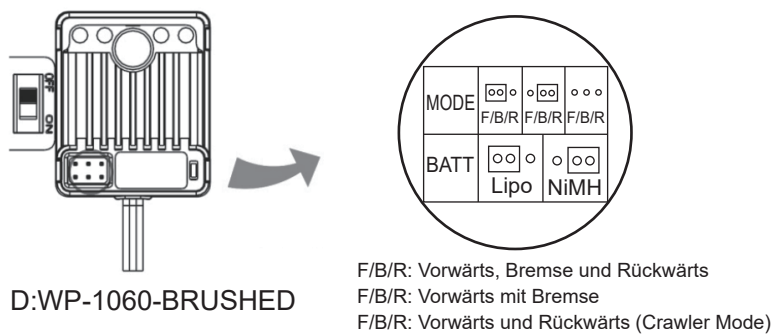
Bedeutung des Piepton	LED Status
<ul style="list-style-type: none"> <li>• 1 kurzer Piepton: Der Akkutyp ist NiMH/NiCD</li> <li>• 2 kurze Pieptöne: Der Akkutyp ist 2S LiPo</li> <li>• 3 kurze Pieptöne: Der Akkutyp ist 3S LiPo</li> <li>• 4 kurze Pieptöne: Der Akkutyp ist 4 S LiPo</li> <li>• 1 langer Piepton: Selbsttest und Gaswegkalibrierung ist OK, danach ist der ESC betriebsbereit.</li> </ul>	<ul style="list-style-type: none"> <li>• Die LEDS ist aus wenn der Gashebel auf Neutral steht.</li> <li>• Bei etwas Gas in Richtung Vorwärts, Bremse oder Rückwärts blinkt die rote LED.</li> <li>• Bei Vollgas, Bremse oder Voll-Rückwärts leuchtet die LED.</li> </ul>

### Gashebelposition



### Einstellen des Fahrtenreglers (ESC)

1. Der Fahrtenregler (ESC) wird über zwei Jumper (Steckbrücken) programmiert. Zum Wechseln der Positionen ist eine Pinzette hilfreich.



## Schutzfunktionen

1. Niederspannungsabschaltung (LVC): Erreicht die Akkuspannung den eingestellten Grenzwert länger als für 2 Sekunden wechselt der Regler in den Protection Mode.  
Das Fahrzeug stoppt und die rote LED zeigt blinkend an, dass die Niederspannungsabschaltung aktiviert wurde.

**Abbildung A:** LVC Protection für WP-1060-BRUSHED

2S Lipo	3S Lipo
Die Leistung wird auf 50% bei 6,5 V Spannung reduziert und bei 6.0 V vollständig abgeschaltet.	Die Leistung wird auf 50% bei 9,75V Spannung reduziert und bei 9.0 V vollständig abgeschaltet.

2. Überhitzungsschutz: Übersteigt die Innentemperatur des Reglers (ESC) 100 ° Celsius oder 212° Fahrenheit länger als 5 Sekunden reduziert der Regler die Leistung und schaltet dann ab.  
Das Fahrzeug stoppt und die rote LED blinkt um anzeigen, dass der Überhitzungsschutz aktiviert wurde.  
Sinkt die Temperatur unter 80° Celsius (176° Fahrenheit) steht wieder die volle Reglerleistung zur Verfügung.
3. Schutzfunktion bei Signalverlust Wird die Signalübertragung länger als 0.1 Sekunden unterbrochen wird die Failsafe Funktion aktiviert. Wir empfehlen diese Funktion zu aktivieren.

## Problemlösungen

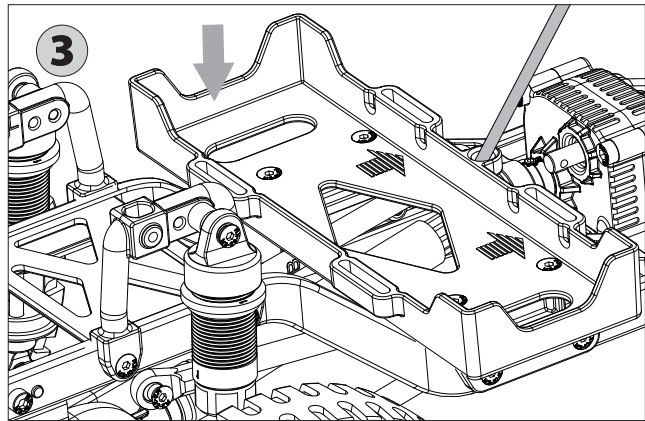
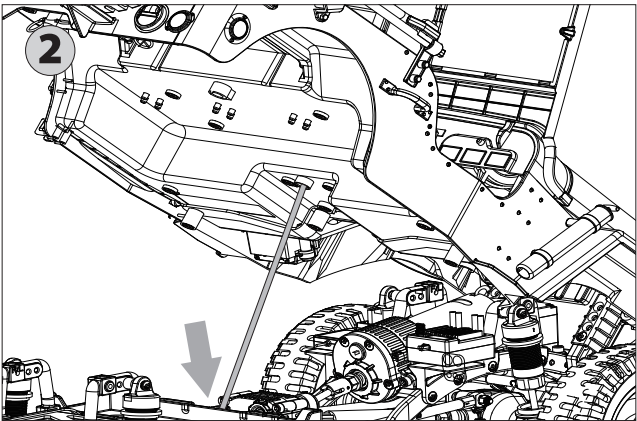
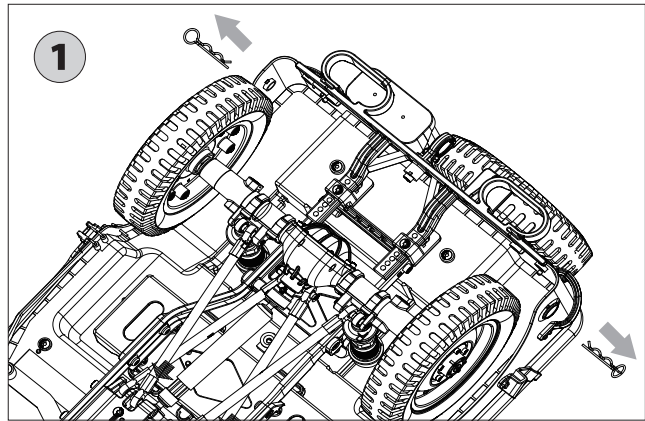
Problem	Mögliche Ursache	Lösung
Der Motor reagiert nach einschalten nicht, kein Ton, LED ist aus.	Spannung am Regler nicht ausreichend.	Prüfen Sie die Akkuanschlusskabel und ersetzen defekte Verbinder.
	Schalter ist beschädigt.	Tausche Sie den Schalter aus.
Der Motor reagiert nach einschalten nicht, kein Ton, LED blinkt.	Gassignal nicht in Ordnung.	Prüfen Sie das Servoanschlusskabel und stellen sicher, dass der Stecker im Gaskanal steckt
	Gaswegkalibrierung nicht ok.	Stellen sie die "TRIM" Einstellung des Gaskanals auf 0 oder drehen den Drehknopf auf Neutral.
Das Modell fährt beim Gasgeben rückwärts (Motor dreht falsch herum).	Kabelfarben zwischen Regler (ESC) und Motor müssen gewechselt werden.	Ändern Sie die Kabelanschlüsse zwischen Regler und Motor.
Das Fahrzeug fährt nicht rückwärts.	Falsche Jumperposition	Prüfen und stecken Sie die Jumper in die richtige Positionen.
	Der Neutralpunkt des Gaskanals ist falsch oder hat sich verändert.	Stellen sie die "TRIM" Einstellung des Gaskanals auf 0 oder drehen den Drehknopf auf Neutral.
Das Fahrzeug fährt nur rückwärts.	Steuerrichtung des Gaskanals ist nicht korrekt.	Ändern Sie die Gaskanalrichtung von "NOR" auf "REV", oder von ursprünglich "REV" auf "NOR".
Der Motor arbeitet nicht, aber der die LED in dem Regler leuchtet normal.	Unterbrochene Verbindung zwischen Regler und Motor.	Überprüfen sie die Verbindungen und ersetzen ggfls defekte Verbinder.
	Motor ist beschädigt.	Ersetzen Sie den Motor.

Problem	Mögliche Ursache	Lösung
Der Motor stoppt plötzlich bei dem Betrieb.	Verlust des Fernsteuersignals	Prüfen Sie die Fernsteuerung und Empfänger. Prüfen Sie die Kabelverbindung des Gaskanals
	Aktivierung des Niederspannungs- oder Überhitzsschutz.	Ersetzen Sie den Akku oder lassen den Fahrtenregler abkühlen.
Das Fahrzeug erreicht nicht die Höchstgeschwindigkeit, die rote LED leuchtet nicht dauerhaft.	Die Fernsteuerung ist falsch eingestellt.	Prüfen Sie die Einstellungen Stellen Sie D/R,EPA,ATL auf 100% oder drehen die Regler auf maximale Werte. Stellen sie TRIM auf 0 oder drehen den Regler auf Neutral.
Der Motor stottert bei schneller Beschleunigung.	Akku hat zu geringen Entladestrom (C)	Verwenden Sie einen Akku mit höheren Entladestrom.
	Motor Drehzahl ist zu hoch, Getriebeübersetzung zu aggressiv.	Verwenden Sie einen Motor mit geringerer RPM oder verwenden kleineres Ritzel.
	Fehler im Antriebssystem.	Prüfen Sie den Antriebsstrang.

# FAHRZEUG SETUP

## Anschluss des Akkus

Schritt 1: Lösen sie die beiden Bodyclips.  
 Schritt 2: Heben sie die Karosserie an und stecken die Haltestange zwischen Chassis und Karosserie.  
 Schritt 3: Legen sie den Akku in die Akkubox und verbinden dann den Batteriestecker (T-Stecker oder XT60-Stecker).



## WISCHER EINBAUEN, HEBEN UND LÖSEN DER WINDSCHUTZSCHEIBE

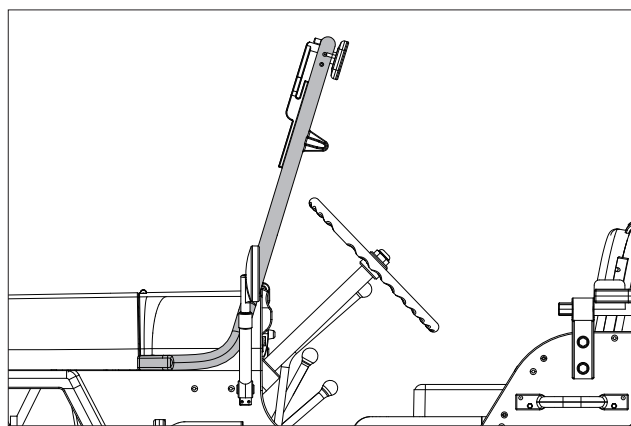
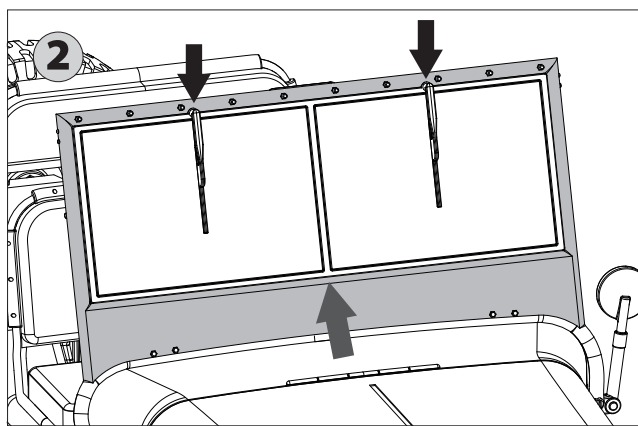
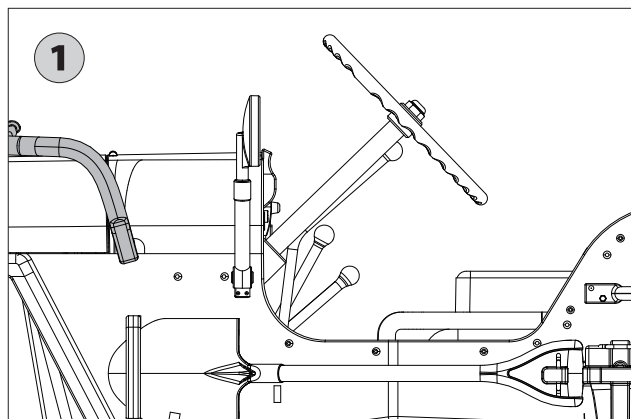
Installieren der Scheibenwischer durch Bezugnahme auf die folgende Diagramm.

Schritt1: Bitte installieren Sie die Scheibenwischer in der Position in Diagramm 2.

Schritt2: Heben sie die Windschutzscheibe an.

Schritt3: Drücken sie vorsichtig auf die Mitte der Scheibe bis auf der Haube einrastet.

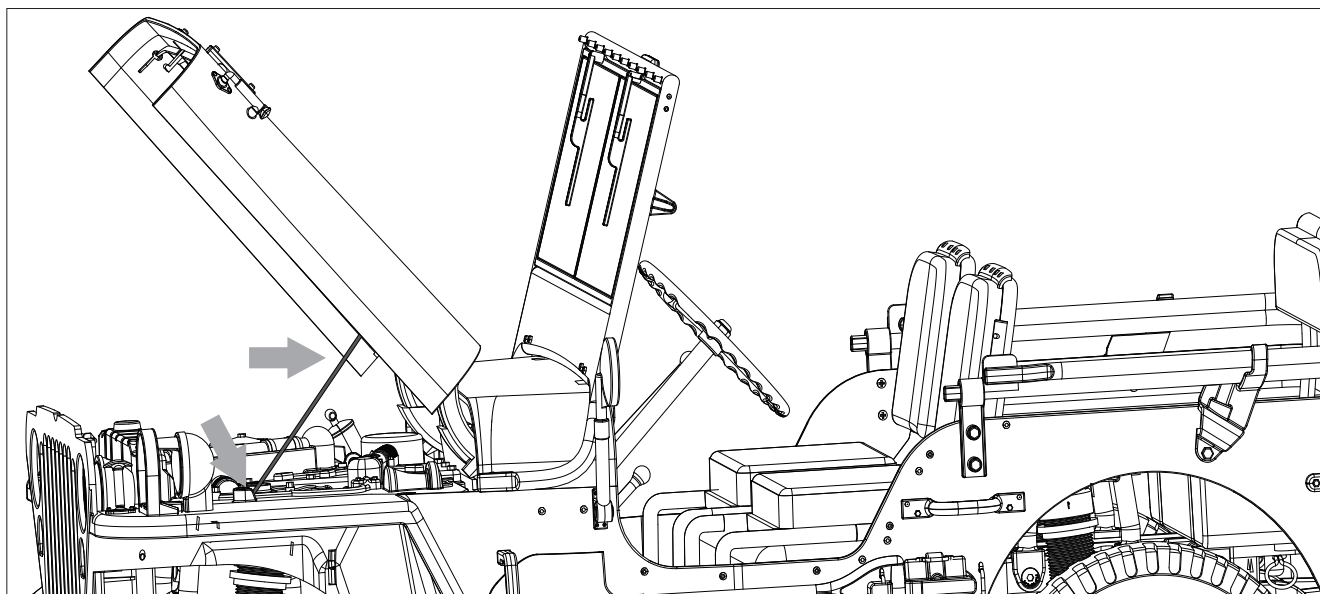
Mit einem weiteren Druck läßt sich die Scheibe wieder lösen.



## ÖFFNEN DER MOTORHAUBE

Schritt 1: Öffnen sie die Haube.

Schritt2 : Klappen sie den Haltestab aus um die Haube zu sichern.

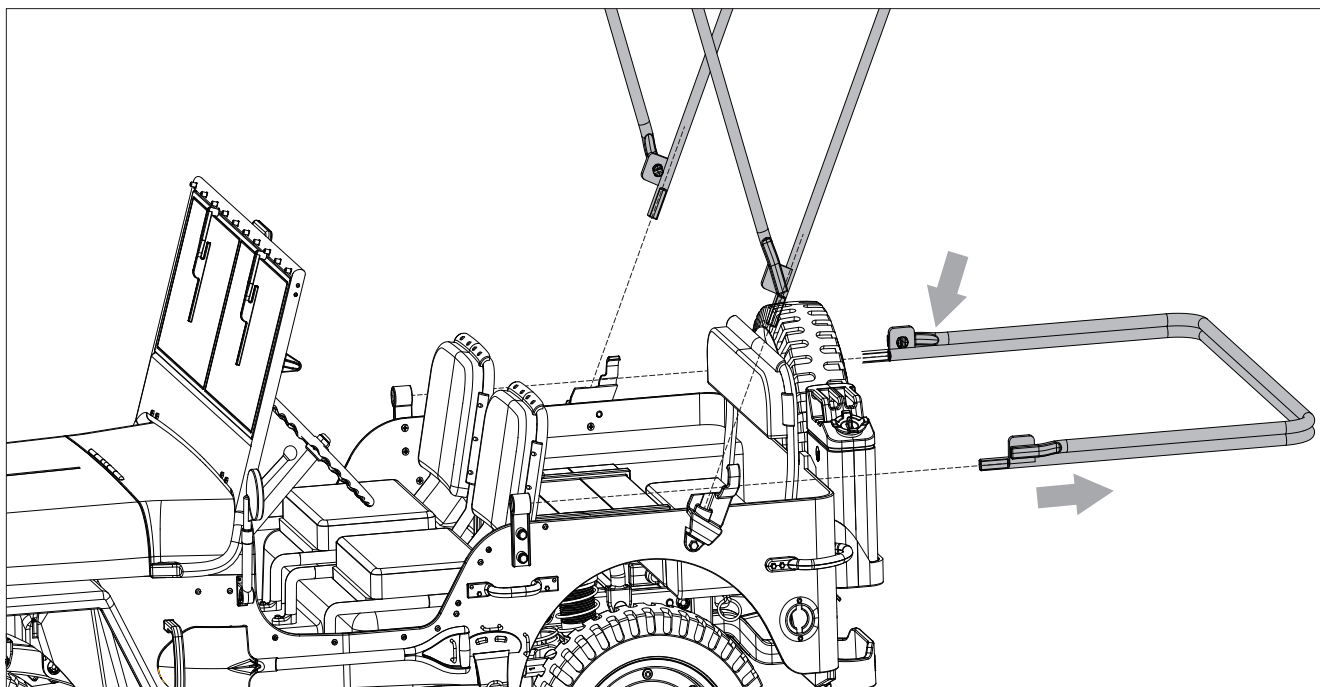




## MONTAGE DES VERDECKGESTÄNGES

Schritt 1: Ziehen sie das Gestänge aus der Halterung.

Schritt 2: Setzen sie das Gestänge wie abgebildet in die hinteren Halter ein.



## BETRIEB DES FAHRZEUGES

Schritt 1: Schalten Sie den Sender, die Status LED leuchtet blau und ein Ton ertönt.

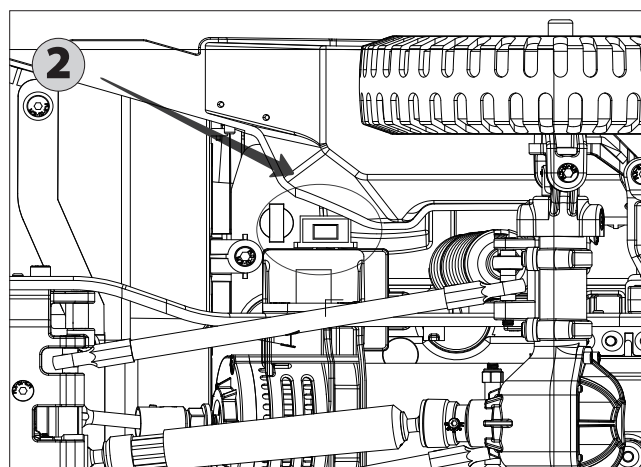
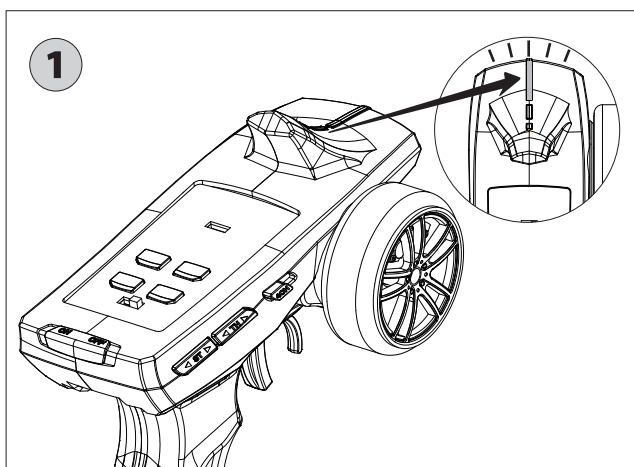
Schritt 2: Schalten Sie das Fahrzeug mit dem Schalter am Fahrtenregler ein. Die Frontlichter leuchten und sie hören ebenfalls einen Ton.

Nachdem der Empfänger die Verbindung hergestellt hat hören Sie einen weiteren Ton.

Note to FMS: The sentence : The above guidelines, must be installed the battery makes noch scence.

Dieses Fahrzeug ist mit einem Slipper ausgestattet. Wenn das Fahrzeug die Traktion des Getriebes verliert, überprüfen Sie bitte die Rutschenspannung und ersetzen Sie sie gegebenenfalls.

Ersatzteile C1067 SLIPPER PAD.





## TABLE DES MATIÈRES

Consignes de sécurité .....	29
Manuel de l'ensemble de radiocommande .....	30
Manuel du variateur électronique de vitesse .....	34
Préparation du véhicule .....	38
Installer l'essuie-glace, Monter ou plier le pare-brise .....	39
Ouverture du capot .....	39
Mise en place du support de capote .....	40
Utilisation du véhicule .....	40
Montage des roues avant et arrière .....	53
Montage de l'essieu avant .....	54
Montage des amortisseurs hydrauliques .....	55
Montage du réducteur principal .....	55
Montage de l'essieu arrière .....	56
Montage du boîtier de transmission .....	57
Montage de carrosserie - 1 .....	58
Montage de carrosserie - 2 .....	59
Montage de carrosserie - 3 .....	60
Vue éclatée du châssis .....	61
Liste des pièces (I) .....	68
Liste des pièces (II) .....	69
Liste des pièces (III) .....	70

# CONSIGNES DE SÉCURITÉ

## Introduction

This model is a sophisticated hobby product and not a toy. It must be operated using caution and common sense. Beginners should seek the advice of experienced hobbyists to ensure that the model is properly built, run and maintained.

Some mechanical knowledge and ability is expected of the hobbyist, as failure to operate and maintain this model may result in property damage, serious injury or even death.

This model is not intended for use by children without proper adult supervision.

Please follow the instructions and all posted warnings within this manual in order to properly assemble, setup, use and maintain this model.

## Safety, precautions and warnings

**This model is controlled by a radio signal that is subject to interference from many sources outside your control. This interference can cause momentary loss of control so it is necessary to always keep a safe distance in all directions around your model, as this will help to avoid collisions or injury.**

- Always operate your model in an open area away from cars, traffic, or people.
- Never operate your model with low transmitter batteries.
- Carefully follow the directions and warnings for this product and any optional support equipments (chargers, rechargeable battery packs, etc.) that you use.
- Keep all parts, chemical solvents, oils and electrical components out of the reach of children.
- Moisture may cause damage to electronic components over time. Ensure that all electronic components, even waterproof components, are fully dried out after every run. Never run your model in salt-water.

## CE compliance information for the european union

The associated regulatory agencies of the following countries recognize the noted certifications for this product as authorized for sale and use.

UK	DE	DK	BG	SE	GZ	ES	NL	SK	HU	RO	FR	PT
FI	EE	LV	LT	PL	AT	CY	SI	GR	MT	IT	IE	LU

Declaration of Conformity

Products: 2.4GHz Controller

Equipment Class: 2

The objects of declaration described above are in conformity with the requirements of the specifications listed below.

Item Name : 2.4GHz Controller

The RED Directive 2014/53/EU

EN 60950-1:2006 + A11:2009 + A1:2010 + A12:2011 + A2:2013

EN 300 328 V2.1.1:2016

EN 301 489-1 V2.1.1:2017

EN 301 489-17 V3.1.1:2017

## FCC ID 2ARE7-91805

Statement - This device complies with Part 15 of the FCC Rules.

Operation is subject to the following two conditions:

1. this device may not cause harmful interference, and.
2. this device may not cause harmful interference, and including interference that may cause undesired operation.

Changes or modifications not expressly approved by the party responsible for compliance could void the user's authority to operate the equipment.

### RF Exposure Warning:

This equipment complies with FCC radiation exposure limits set forth for an uncontrolled environment. And should be operated with minimum distance of 20 cm between the antenna & your body.

## MANUEL DE L'ENSEMBLE DE RADIOCOMMANDE

Please read this manual carefully prior to using. We are not responsible for any intentional damage or improper use. If you require any additional information or have any questions about the product or its use, please contact us via ([www.rochobby.com](http://www.rochobby.com)).

This product is not a toy! (14+) Recommended for ages 14 and up. Adult supervision required for ages under 18 years old. Contains small parts, keep out of reach of children 3 years of age and younger.

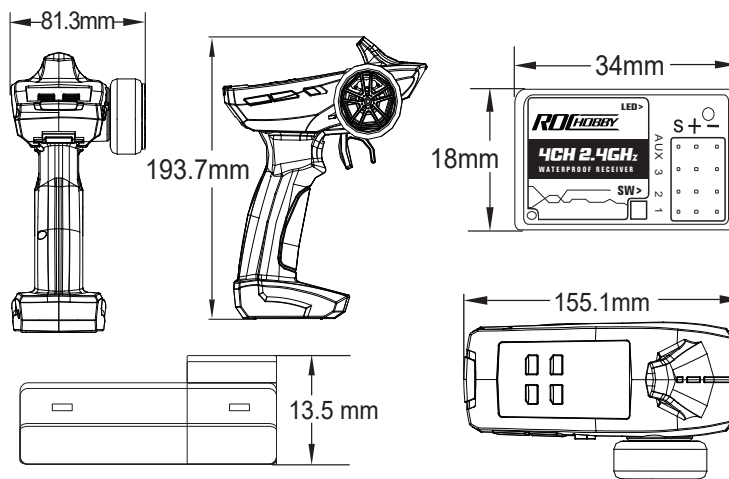


Your model is equipped with an advanced 2.4GHz radio system. This system uses a frequency hopping spread spectrum technology that allows for minimal interference operation.

Prior to operating your new radio system, please take a few minutes to familiarize yourself with the various features and functionality of the system by reading this instruction manual thoroughly.

### Caractéristiques

Modèle	Emetteur	
Configuration	Tenue style "Pistolet"	
Bande de fréquence	2,4 GHz	
Gamme de fréquences	2405.0~2478.0	
Puissance de sortie	0.0054Watts	
Nombre de voies	4 voies	
Piles	4 x AA	
Dimensions	Longueur	155,10 mm
	Hauteur	193,70 mm
	Largeur	81,30 mm

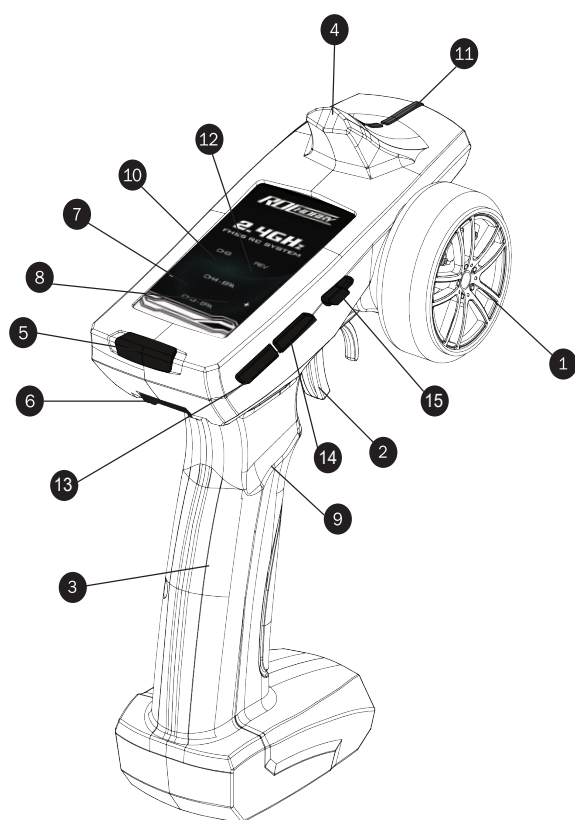


## Garantie

L'ensemble radio 4 voies ROCHOBBY est garanti contre les défauts de fabrication et d'assemblage pour une période de 30 jours à compter de la date de l'achat. Si le produit a été mal manipulé, mal utilisé, utilisé de manière incorrecte ou utilisé pour une application autre que sa destination, ROCHOBBY n'est pas responsable de toute perte ou dommage, direct ou indirect, accidentel ou consécutif, ou de toute situation particulière, résultant de l'utilisation, d'une mauvaise utilisation ou abus de ce produit.

# MANUEL DE L'ENSEMBLE DE RADIOCOMMANDE

## Introduction à l'utilisation des fonctions



1. Volant : Contrôle la direction du modèle.
2. Gâchette de gaz : Contrôle le mouvement en marche avant, marche arrière et freinage. Conçue pour être actionnée avec l'index.
3. Poignée : Pour tenir l'émetteur.
4. Antenne : Transmet le signal vers le récepteur installé dans le véhicule.
5. Interrupteur : Allume ou éteint l'émetteur.
6. Verrou de démontage de la poignée.

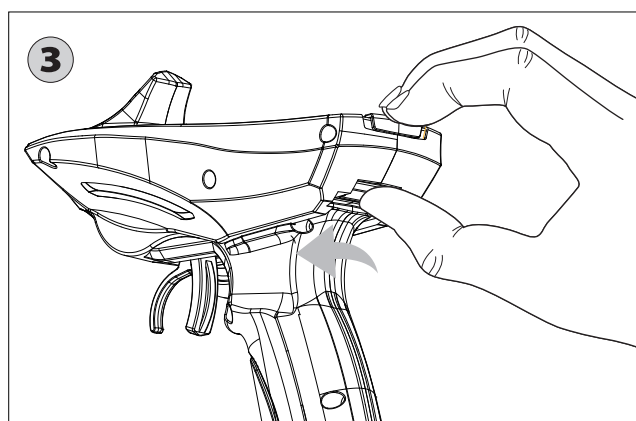
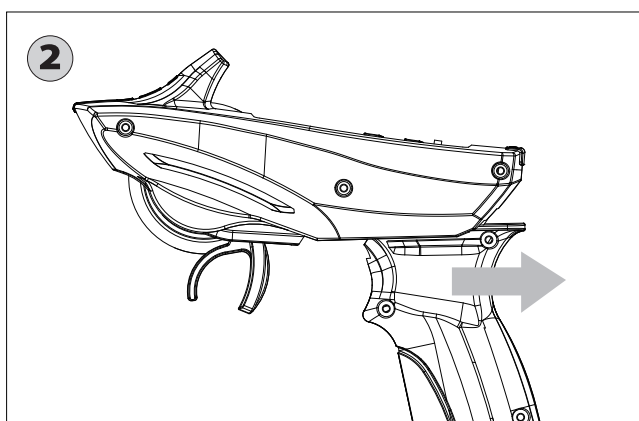
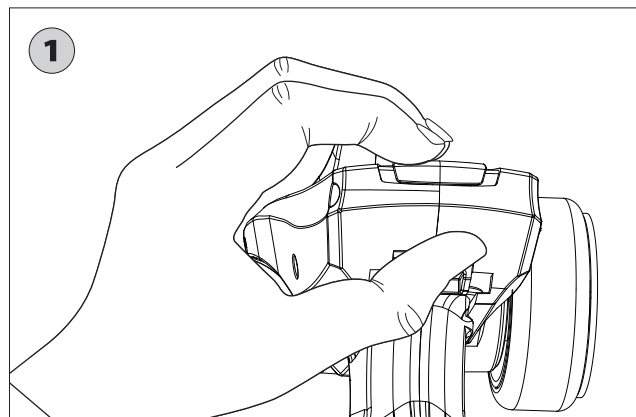
7. Voie 3 - EPA +/-
8. Voie 4 - EPA +/-
9. Logement des piles : Contient 4 piles format AA
10. Potentiomètre de la voie 3.
11. LED.
12. Inversions de voies :
  - 1: Tournez et maintenez le volant vers la droite ou la gauche tout en appuyant sur le bouton REV. Un son est émis et le sens de la voie de la direction est inversé.
  - 2: Poussez ou tirez la gâchette des gaz au maximum tout en appuyant sur le bouton REV. Un son est émis et le sens de la voie des gaz est inversé.
  - 3: Appuyez simultanément sur CH3 et sur REV. Un son est émis et le sens de la voie 3 est inversé.
13. ST DR/ST TRIM : Tournez le volant au maximum vers la droite ou la gauche, et appuyez sur "STTRIM+" ou "ST-TRIM-" pour ajuster l'angle de braquage.
14. TH DR/TH TRIM : Poussez ou tirez la gâchette de gaz au maximum, puis appuyez sur "TH-TRIM+" ou "TH-TRIM-" pour régler le débattement maximum de la voie des gaz.
 

Quand vous réglez le trim, l'émetteur émet un son pour chaque cran de trim. Quand le trim est centré, l'émetteur émet un son double.

Quand vous ajustez les doubles débattements, un son est émis pour chaque clic de dual rate. Deux sons signifient que le dual rate est à son maximum ou à son minimum.
15. Bouton de la voie 4.

## Dépose et remise en place de la poignée

1. Tirez le verrou de maintien de la poignée.
2. Tirez la poignée en arrière pour la sortir de l'émetteur proprement dit.
3. Pour remettre la poignée en place, tirez le verrou en arrière et poussez la poignée contre l'émetteur.



## Mise en place des piles ou batteries

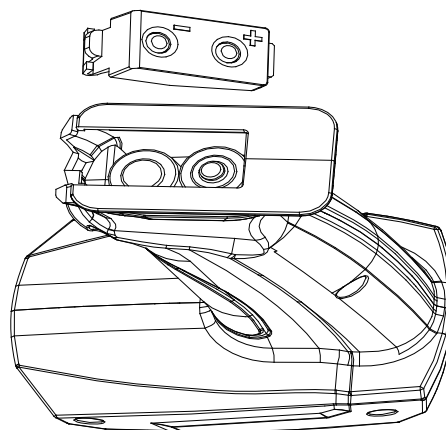
Cet émetteur accepte des piles alcalines ou des batteries NiMH au format AA. Il y a une alarme de tension faible quand la tension est inférieure à  $4,5\text{ V} \pm 0,2\text{ V}$ . Le buzzer sonne en permanence et la LED clignote. Ceci rappelle à l'utilisateur qu'il faut remplacer les piles par des piles neuves.

1. Déposez le couvercle du compartiment des piles.
2. Insérez quatre piles AA neuves en respectant la polarité.
3. Remplacez le couvercle du compartiment des piles.



Attention : N'essayez pas de recharger des piles non rechargeables, vous pourriez causer une explosion.

Attention: veuillez ne pas réserver la batterie, sinon elle brûler le PCB.



## Correspondance des voies

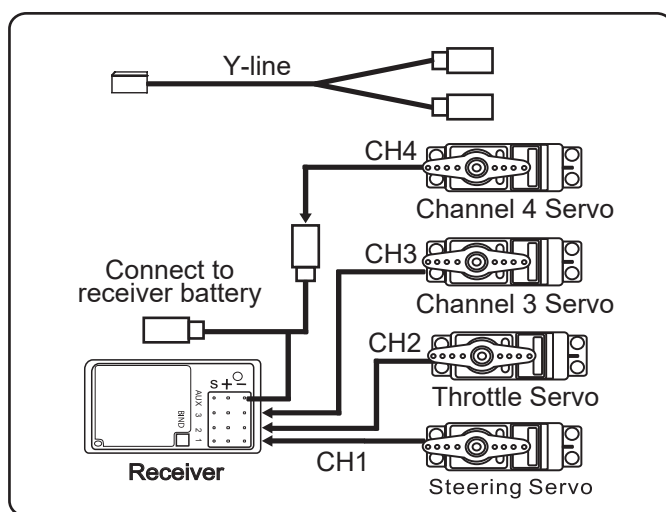
- Voie 1 : Contrôlée par le volant, se connecte au servo de direction.
- Voie 2 : Contrôlée par la gâchette, se connecte au variateur ou à un servo de gaz.
- Voie 3 : Contrôlée par le potentiomètre de réglage (0 à 100 %), pour utiliser une option. Ce port peut aussi servir à connecter un transpondeur utilisé en course.
- Voie 4 (AUX) : Contrôlée par un bouton (ON/OFF) pour utiliser une option. Cette voie est le plus souvent utilisée pour les sets de phares à LEDs. Utilisez ce port pour utiliser une batterie de réception sur les véhicules à moteur thermique.

## Installation et connexion du récepteur

### Installation

Pour obtenir la meilleure portée de votre ensemble radio, il est capital que l'antenne du récepteur ne soit pas endommagée et qu'elle soit correctement installée. Elle doit être installée le plus possible en position verticale. L'extrémité de l'antenne doit être montée dans un tube d'antenne. Lors de l'installation :

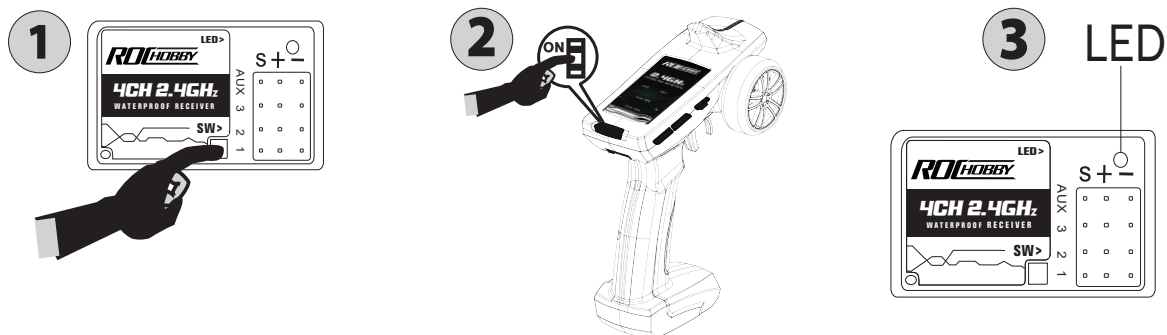
- Assurez-vous qu'il n'y a pas de plis sur l'antenne ou le tube d'antenne.
- Ne repliez jamais l'extrémité de l'antenne sur le tube. Ceci réduit la portée de l'ensemble et endommage l'antenne.
- Assurez-vous que le récepteur est fixé en sécurité, ou protégé des impacts.



## Appairage de l'émetteur et du récepteur

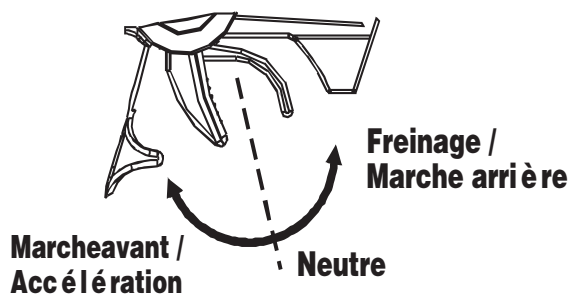
1. Mettez le récepteur sous tension. Appuyez sur le bouton SW. La LED du récepteur doit se mettre à clignoter.
2. Allumez l'émetteur.
3. Quand la LED du récepteur s'allume fixe, l'appairage est terminé.

Note : Les ensembles radio montés sur les kits RTR sont déjà été appairés. Seule l'installation d'un nouvel émetteur ou d'un nouveau récepteur rend la procédure ci-dessus nécessaire.

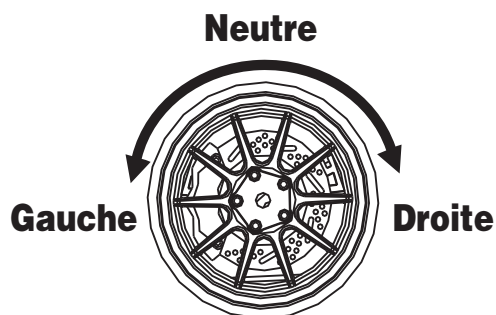


## Utilisation

### A. GÂCHETTE DES GAZ



### B. VOLANT



1. Poussez la gâchette en avant pour ralentir ou freiner.

2. Tirez la gâchette en arrière pour accélérer.

## Réglage de la fonction Fail Safe

Allumez l'émetteur, tenez les gaz au point de "Fail Safe", appuyez sur le bouton SW du récepteur durant environ 2 secondes. La LED doit clignoter durant 5 secondes. relâchez le bouton SW et la gâchette des gaz, puis éteignez l'émetteur.

## Précautions générales

1. Utilisez toujours un chiffon propre et sec ou une brosse à poils doux pour nettoyer votre équipement.
2. N'utilisez jamais de nettoyeurs chimiques, qui peuvent endommager les contacts sensibles électroniques et les plastiques.

# MANUEL DU VARIATEUR ÉLECTRONIQUE DE VITESSE

## Spécificités

1. Étanche à l'eau et aux poussières pour une utilisation tous temps.
2. Format compact avec module condensateur intégré.
3. Calibrage automatique de la plage des gaz.
4. Protections multiples : Protection de tension faible pour batteries LiPo ou NiMH / Protection contre la surchauffe / Protection contre la perte de signal.
5. Programmation facile par cavaliers.

## Caractéristiques

Modèle		WP-1060-BRUSHED
Courant max Constant / En pointe		Marche AV : 60 A / 360 A Marche Arrière : 30 A / 180 A
Alimentation		LiPo 2S-3S, ou 5 à 9 éléments NiMH
Type de véhicules utilisables		Piste, Buggy tout terrain, Truggy 1/10 - Crawlers 1/10 - Chars - Bateaux
Limite moteur	LiPo 2S ou NiMH 5-6 elts	Moteur format 540 ou 550 ≥ 8T ou RPM <45000 @ 7,2V
	LiPo 3S ou NiMH 7-9 elts	Moteur format 540 ou 550 ≥ 13T ou RPM <30000 @ 7,2V
Résistance		Marche avant : 0,0008 Ohm, Marche arrière : 0,0016 Ohm
BEC intégré		3A / 6V (BEC mode Switch)
Dimensions et poids		36 x 30 x 18 mm, 40 g

## Réglage du variateur

**Attention : une inversion de polarité endommage immédiatement le variateur.**

### 1. Connectez le variateur, le moteur, le récepteur et le servo en respectant ce qui suit :

Assurez-vous que les fils du + et du - du variateur sont branchés au pack d'accus.

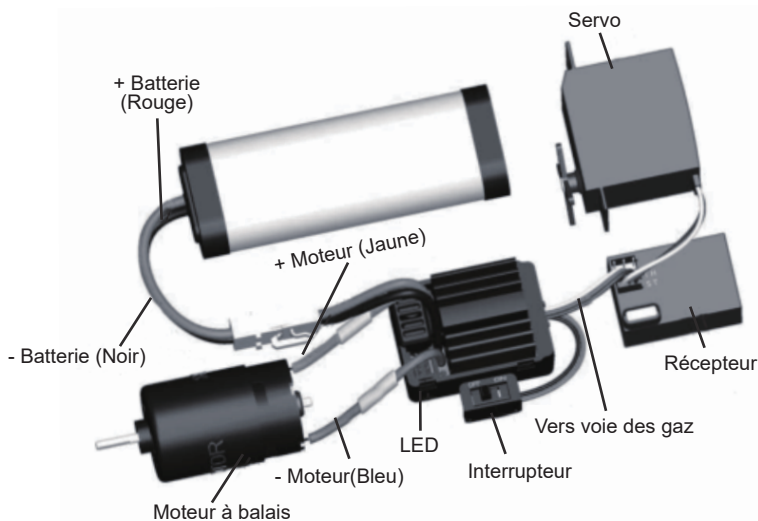
Le cordon de commande du variateur est connecté à la voie des gaz du récepteur (en général, la voie 2)

Les fils + et - du moteur sont connectés au moteur dans n'importe quel ordre. Si le moteur tourne à l'envers, inversez les fils.

### 2. Réglage de l'émetteur

Commencez par régler les "D/R", "EPA" et "ATL" de la voie des gaz à 100 % (pour les émetteurs sans écran LCD, tournez les potentiomètres au maximum), et réglez le trim de la voie des gaz à zéro (pour les émetteurs sans écran LCD, tournez le potentiomètre en position neutre).

Pour les émetteurs Futaba et les émetteurs similaires, le sens de la voie des gaz doit être réglé sur "REV". Pour d'autres ensembles radio, le sens doit être sur "NOR". Il est fortement recommandé d'activer la fonction "Fail Safe" de l'ensemble radio. Assurez-vous que le moteur s'arrête quand le "Fail Safe" s'active.





### 3. Calibrage de la plage des gaz

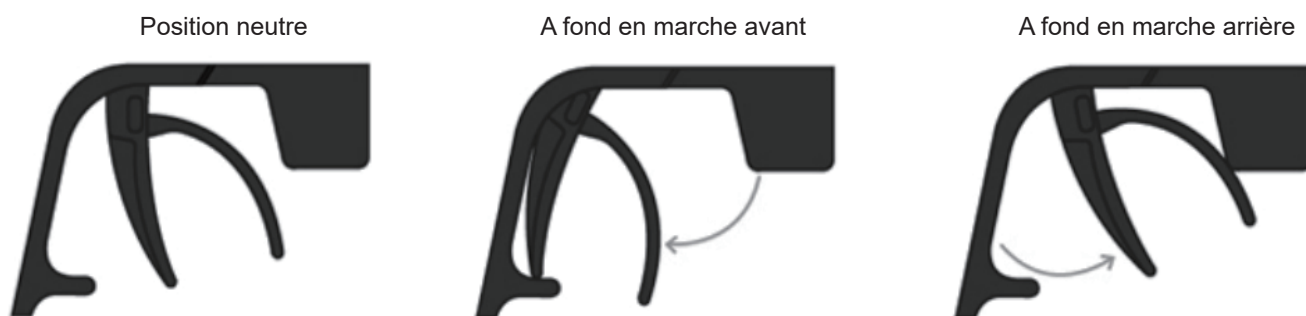
Afin de faire correspondre le variateur avec la plage des gaz de différents émetteurs, il est nécessaire de calibrer le variateur. Pour calibrer le variateur, allumez l'émetteur, laissez la gâchette des gaz (ou le manche de gaz) en position neutre. Attendez 3 secondes que le variateur réalise un auto-test de calibrage des gaz. Quand le variateur est prêt à fonctionner, un son long est émis par le moteur.

**Note :** Merci de recalibrer la plage des gaz quand vous utilisez un nouvel émetteur, ou modifiez la position du neutre de la voie des gaz de l'émetteur, les paramètres D/R, ATV, ATL ou EPA, sans quoi, le variateur ne pourra pas fonctionner correctement.

## Alarmes sonores et statut des LEDs

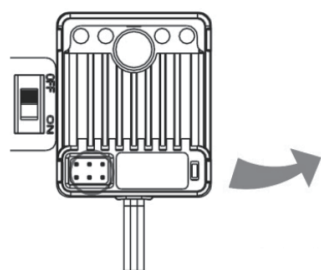
Signification des bips	Statu des LEDs
<ul style="list-style-type: none"> <li>• 1 bip court : La batterie est NiMH / NiCd</li> <li>• 2 bips courts : La batterie est un LiPo 2S</li> <li>• 3 bips courts : La batterie est un LiPo 3S</li> <li>• 4 bips courts : La batterie est un LiPo 4S</li> <li>• 1 bip long : Auto-test et calibrage des gaz OK, variateur prêt à fonctionner</li> </ul>	<ul style="list-style-type: none"> <li>• Quand le manche (gâchette) des gaz est dans la zone neutre, LED rouge éteinte.</li> <li>• Marche avant, freinage ou marche arrière partiels, la LED rouge clignote.</li> <li>• Marche avant, freinage ou marche arrière à fond, la LED rouge s'allume fixe</li> </ul>

## Positions du manche (gâchette) des gaz



## Réglage du variateur

1. Le variateur se programme avec des cavaliers (il est conseillé d'utiliser des brucelles pour brancher et débrancher les cavaliers).



D:WP-1060-BRUSHED

F/B/R : Marche avant, frein et marche arrière

F/B/R : Marche avant avec frein

F/B/R : Marche avant et marche arrière (mode Crawler)

## Fonctions de protection

1. Protection de tension faible (LVC) : Si la tension du pack d'accus est inférieure au seuil durant 2 secondes, le variateur entre en mode de protection.  
Quand la voiture s'arrête, la LED rouge clignote pour indiquer que la protection contre la sous-tension s'est activée.

**Tableau A : Protection LVC du WP-1060-BRUSHED**

LiPo 2S	LiPo 3S
Réduction de la puissance de sortie de 50 % à 6,5 V. Coupure à 6,0 V. Ne peut pas être relancé.	Réduction de la puissance de sortie de 50 % à 9,75 V. Coupure à 9,0 V. Ne peut pas être relancé.

2. Protection contre la surchauffe : Si la température interne du variateur dépasse les 100 °C ou 212 °F durant 5 secondes, le variateur réduit et coupe la puissance de sortie.  
Quand la voiture s'arrête, la LED rouge clignote pour indiquer que la protection thermique s'est activée. Si le variateur refroidit à 80 °C (176 °F), la puissance de sortie est retrouvée de façon normale.
3. Protection contre la perte du signal des gaz : Si le signal des gaz est perdu durant 0,1 s, la puissance de sortie est immédiatement coupée. Il est fortement conseillé d'activer la fonction "Fail Safe" de l'ensemble radio.

## Dépannage

Défaut	Raison probable	Solution de dépannage
Après mise sous tension, le moteur ne fonctionne pas, aucun son émis, la LED est éteinte.	Le variateur ne reçoit pas une tension suffisante ou la connexion entre la batterie et le variateur est coupée.	Vérifiez les connexions, les fils, ou remplacez les connecteurs défectueux.
	Inter endommagé	Remplacez l'inter.
Après mise sous tension, le moteur ne fonctionne pas, la LED rouge clignote.	Signal des gaz anormal	vérifiez le branchement du fil de la voie des gaz, assurez-vous qu'il est branché sur la voie des gaz du récepteur.
	Calibrage automatique des gaz échoué.	Réglez le trim de gaz à zéro ou tournez le potentiomètre du trim au neutre.
Quand vous mettez les gaz, le modèle recule (le moteur tourne dans le mauvais sens).	Il faut inverser le sens des fils entre le variateur et le moteur.	Inversez le sens des fils entre le variateur et le moteur.
Le modèle ne recule pas.	Mauvaise position du cavalier.	Vérifiez le cavalier et placez-le dans la bonne position.
	Le neutre de la voie des gaz a changé ou a dérivé.	Réglez le trim de gaz à zéro ou tournez le potentiomètre du trim au neutre.
Le modèle ne fait que marche arrière.	Le sens de la voie des gaz n'est pas correct.	Passez le sens de la voie des gaz de "NOR" à "REV" ou de "REV" à "NOR".
Le moteur ne fonctionne pas, mais la LED du variateur fonctionne normalement.	Connexions entre variateur et moteur coupées.	Vérifiez les connexions et remplacez les connecteurs défectueux
	Moteur endommagé	Remplacez le moteur

Défaut	Raison probable	Solution de dépannage
Le moteur s'arrête soudainement alors qu'il est en état de marche.	Perte du signal des gaz.	Vérifiez émetteur et récepteur. Vérifiez les fils de connexion des gaz.
	Activation de la protection de tension faible ou de la protection thermique.	Remplacez l'accu, ou laissez refroidir le variateur.
Le modèle n'atteint pas sa vitesse maximale et la LED rouge ne reste pas allumée fixe en étant plein gaz.	Mauvais réglage de l'émetteur.	Vérifiez les réglages. Réglez les D/R, EPA, ATL à 100 % ou tournez les potentiomètres au maximum. Réglez le trim de gaz à 0 ou placez le potentiomètre du trim au neutre.
Le moteur donne des à-coups quand vous accélérez rapidement.	La batterie a une capacité de décharge limitée.	Utilisez une batterie avec une meilleure capacité de décharge.
	Le régime moteur est trop élevé, le rapport de réduction est trop agressif.	Utilisez un moteur à régime plus faible ou utilisez un pignon plus petit pour un rapport plus doux.
	Quelque chose ne va pas dans la transmission du véhicule.	Vérifiez la transmission du véhicule.

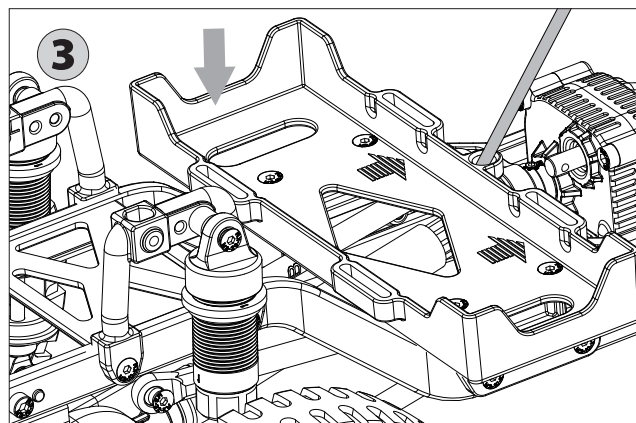
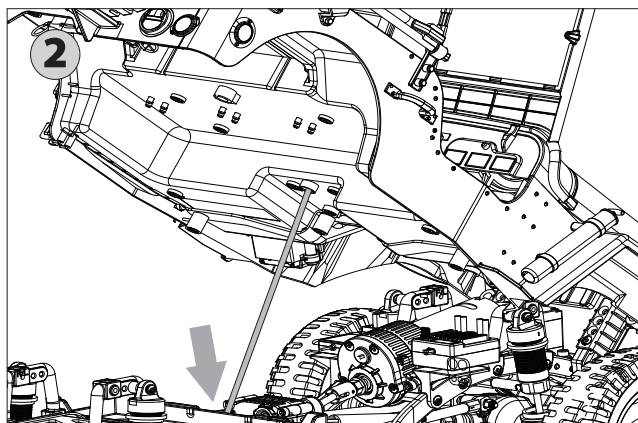
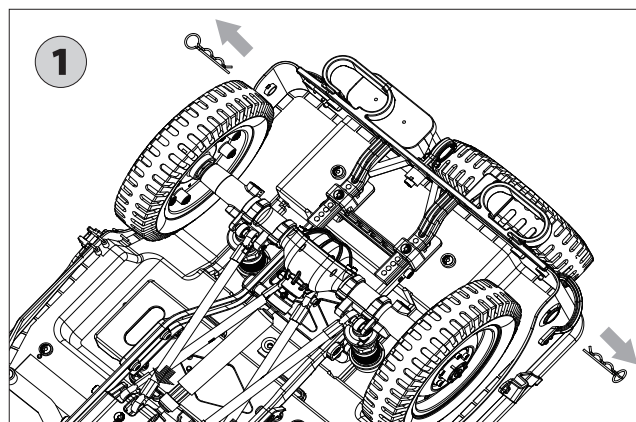
## PRÉPARATION DU VÉHICULE

### Connexion de la batterie

ETAPE 1 : Déposez les deux clips de carrosserie.

ETAPE 2 : Soulevez la carrosserie du véhicule et placez la barre de soutien entre le châssis et la carrosserie.

ETAPE 3 : Placez la batterie dans son logement puis connectez la prise de batterie (prise en T ou prise XT60).



## INSTALLER L'ESSUIE-GLACE, MONTER OU PLIER LE PARE-BRISE

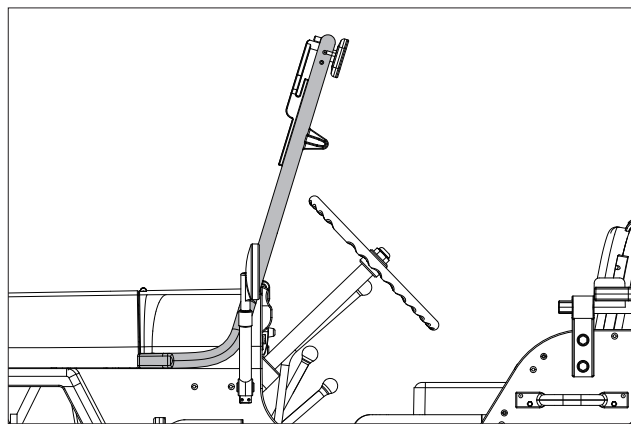
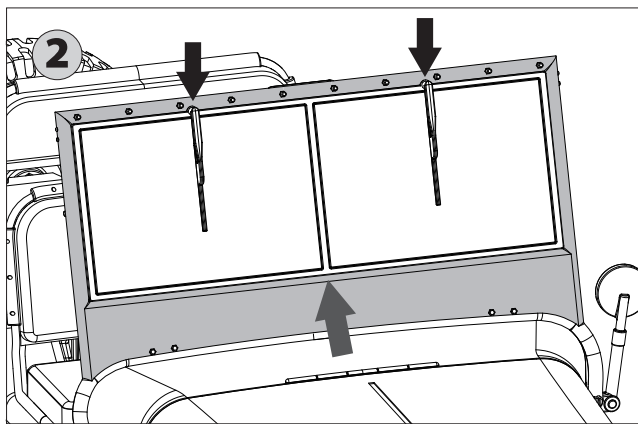
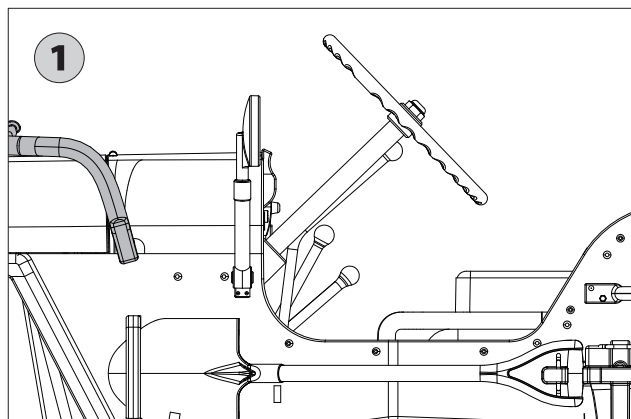
Installez les essuie-glaces en faisant référence au schéma ci-dessous.

ETAPE 1 : Veuillez installer les essuie-glaces dans la position du diagramme 2.

ETAPE 2 : Soulevez l'ensemble du pare-brise.

ETAPE 3 : Poussez doucement au centre du pare-brise, l'élément se plie et se verrouille sur le capot.

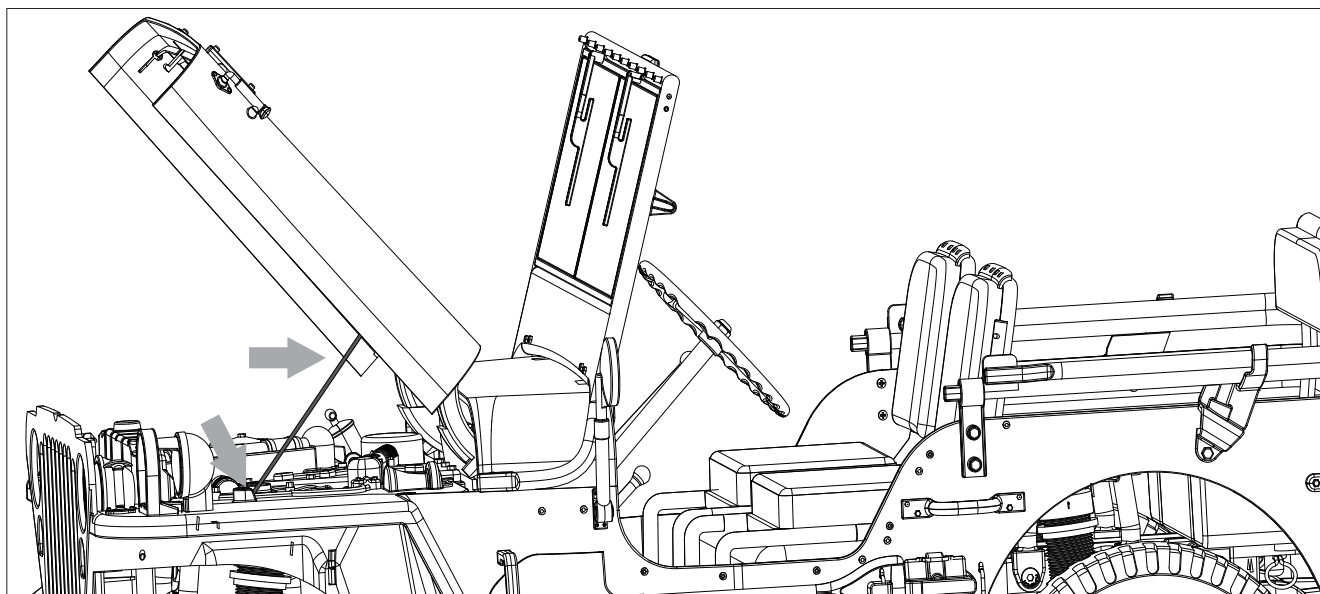
En appuyant de nouveau au centre du pare-brise, vous pouvez replier le pare-brise.



## OUVERTURE DU CAPOT

ETAPE 1 : Levez le capot.

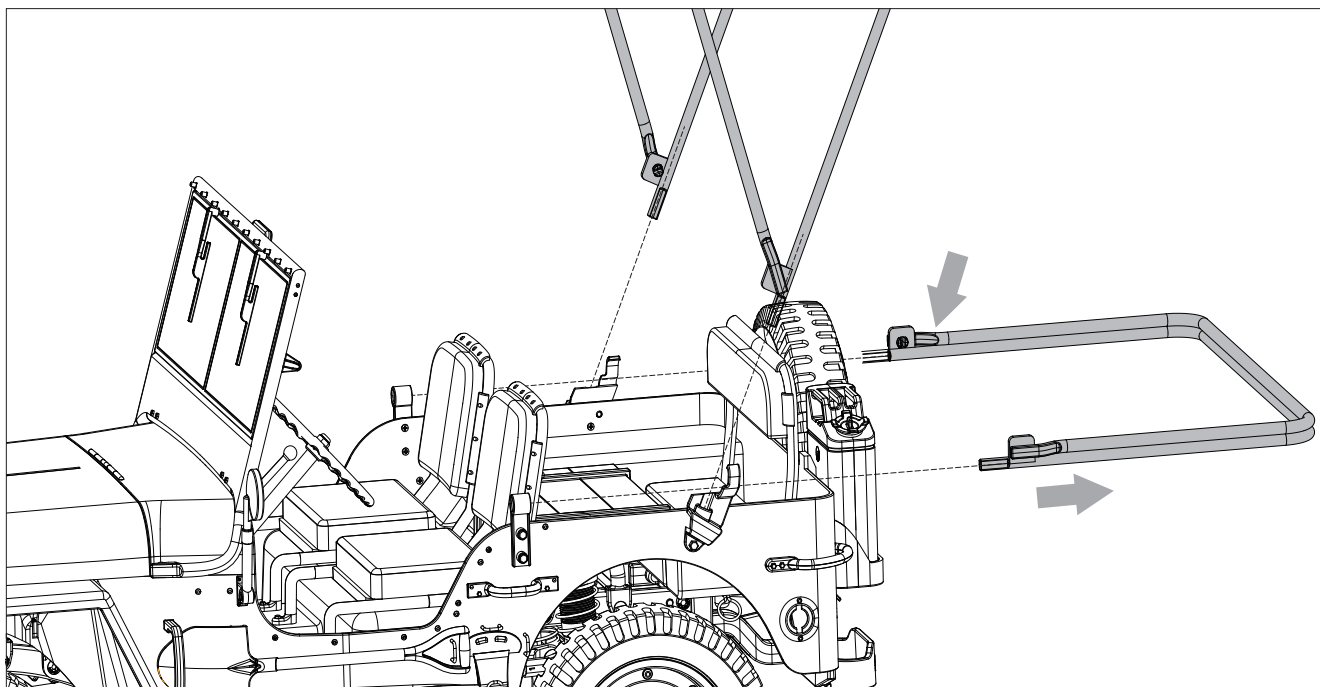
ETAPE 2 : Mettez en place la tige de retenue du capot pour tenir le capot en place.



## MISE EN PLACE DU SUPPORT DE CAPOTE

ETAPE 1 : Tirez le support de capote.

ETAPE 2 : Insérez le support de capote dans ses supports.



## UTILISATION DU VÉHICULE

ETAPE 1 : Allumez l'émetteur. La LED d'état doit s'allumer en bleu et un signal sonore doit être émis.

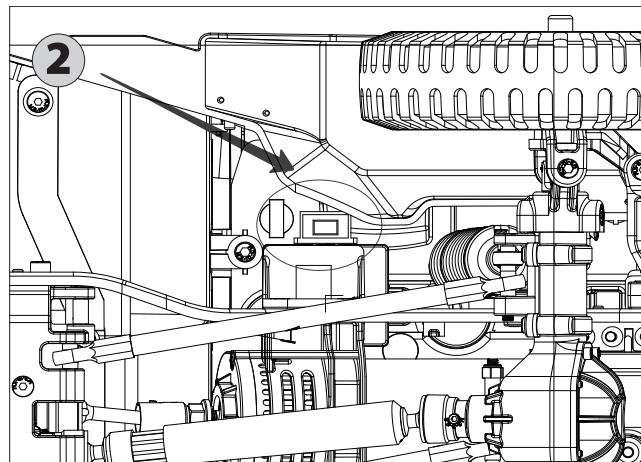
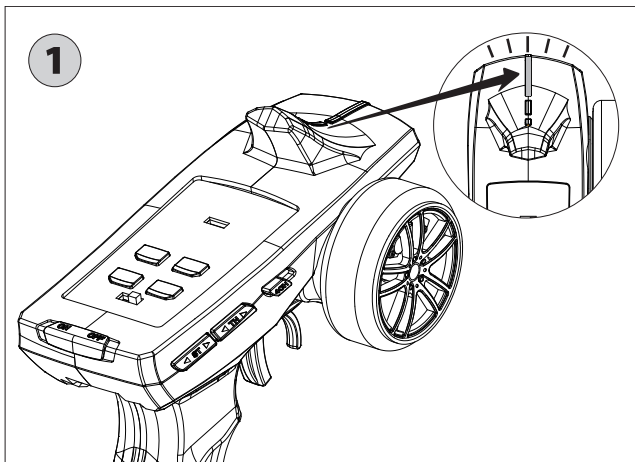
ETAPE 2 : Mettez le véhicule sous tension avec l'inter du variateur. Les phares avant doivent s'allumer et un signal sonore doit être émis.

Après que le récepteur ait confirmé que le signal de l'émetteur est bien reçu, il va émettre un autre son.

Avant ces étapes, la batterie doit avoir été installée.

Les directives ci-dessus doivent être installées la batterie.

Ce produit a la fonction de chausson. Si la puissance de compression est insuffisante, veuillez vérifier que le patin de pantoufle doit être remplacé. Pièces de rechange C1067 SLIPPER PAD.



# 目录

安全保障措施 .....	42
无线电系统手册 .....	42
电调系统手册 .....	46
遥控车设置 .....	50
安装雨刷, 提起/收放挡风玻璃窗框 .....	51
打开引擎盖 .....	51
设置帆布车篷支架 .....	52
遥控车操作说明 .....	52
前轮和后轮装配 .....	53
前桥装配 .....	54
油式避震器装配 .....	55
驱动牙箱组装配 .....	55
后桥装配 .....	56
中传动牙箱装配 .....	57
车壳装配一 .....	58
车壳装配二 .....	59
车壳装配三 .....	60
车底盘爆炸图 .....	61
配件表明细一 .....	71
配件表明细二 .....	72
配件表明细三 .....	73

# 安全保障措施

## 指引

这模型是一个竞赛爱好者产品，而不是玩具。它必须谨慎使用。初学者应寻求有经验的爱好者的指导去进行，以确保模型得到正当的组装、运行及维护。

期望业余爱好者有一些机械知识和能力，因为未能操作和维护该模型产品可能导致财产损失及严重伤害或导致死亡。

没有适当的成人监督下，这模型不适合儿童独自使用。请细阅本手册中的说明和所有张贴的警告，以便正确地组装、设置、使用和维护此模型。

## 安全、预防措施及警告

这个模型是由一个无线电信号控制的，它会受到来自你控制以外许多源的干扰。这种干扰会造成短暂的控制失误，所以在您的模型周围的所有方向，请必要保持一个安全的距离，因为这将有助于避免产品碰撞或损坏。

- 请远离汽车、交通或人员的区域，操作您的模型。
- 不要用电量过低的电池在遥控器上操作你的模型。
- 仔细遵循本产品 and 任何可选的支持设备（如充电器、充电电池组等）的指示和警告。
- 保持所有零件，化学溶剂，油类及电器元件不让儿童接触到。
- 湿气可能会随着时间的推移对电子元件造成损害。请确保所有电子元件，甚至防水元件，在每次运行后都保持干燥。千万不要在盐水中运行本模型。

# 无线电系统装置

使用前请仔细阅读本手册。我们不对任何故意损坏或不当使用负责。这个产品不是玩具！！建议在 14 岁及以上者使用。18 岁以下的，需接受成年人监督下使用。本产品部分包含小零件，请保持 3 岁及更小的儿童无法接触本产品。

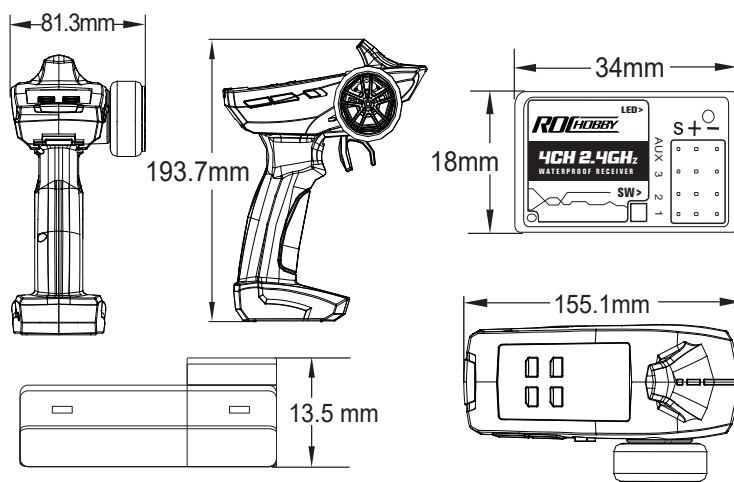


MADE IN CHINA

## 规格

您的模型配备了先进的 2.4GHz 无线电系统。该系统采用跳频扩频技术，允许细小的干扰下操作。在操作您的新无线电系统之前，请花几分钟时间通过彻底阅读本说明书来熟悉系统的各种功能。

型号	TX	
构造	手枪式握把	
频带	2.4 G	
频宽	2405.0~2478.0	
输出功率	0.0054瓦	
频道	4CH	
电池	AA x4	
尺寸	长 155.1	155.10
	高 193.7	193.70
	宽 81.3	81.30



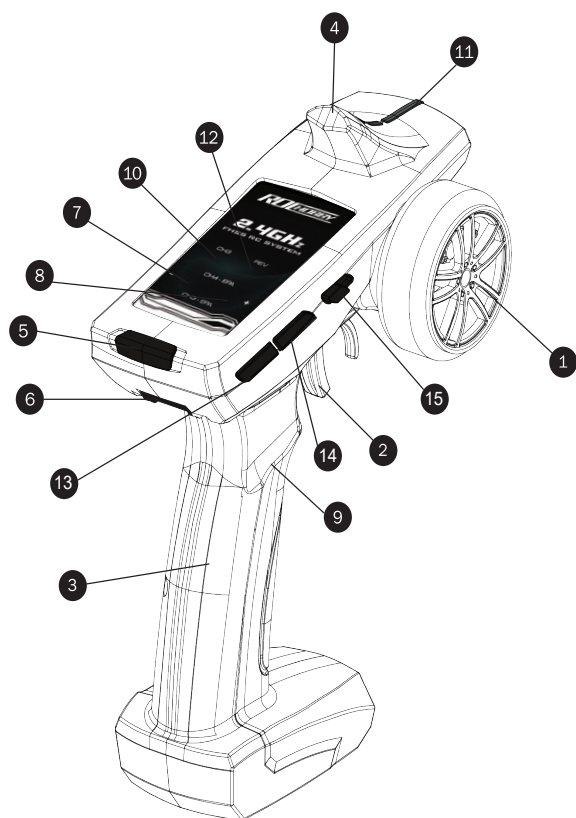


# 无线电系统装置

## 警告

洛克模型保证 4 频道无线电系统在产品购买后 30 天内无材料和工艺缺陷。如果产品被错误地处理、滥用、不正确地使用或用于预期用途以外的应用 - 洛克模型将不对该使用、滥用本产品而引起的任何损失或损害及无论是直接或间接、附带或间接的损失或损害的任何特殊而作出赔偿。

## 功能操作介绍



1. 方向盘：控制模型的转向功能。
2. 油门触发：控制向前 / 反向 / 刹车运动 (设计以用食指进行操作)。
3. 手柄：握提的位置。
4. 天线：将信号传输到位于车辆中的接收器。
5. 电源开关：打开 / 关闭发射机。

6. 遥控器手绳板机
7. CH3-EPA+/-
8. CH4-EPA+/-
9. 电池箱：4x AA 电池
10. 频道 3 按键
11. 二极管发光灯

### 12. 反向：

1: 转动并保持方向盘向左或右, 同时按下 Rev 按钮。发出一个声响后, 转向通道将被反转。

2: 在同时按下 Rev 按钮的同时, 将油门触发器推到其最大位置。发出一个声响后, 油门通道将被反转。

3: 同时按 CH3 和 Rev。发出一个声响后, CH3 将被反转。

13. ST DR/ST TRIM: 请用最大角度将车轮向左或向右转动, 并按 ST-TRIM 或 ST-TRIM-, TH-TRIM- 按钮, 调节油门最大输出。

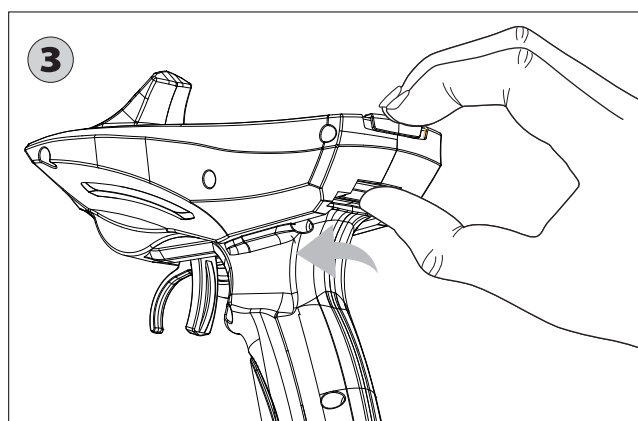
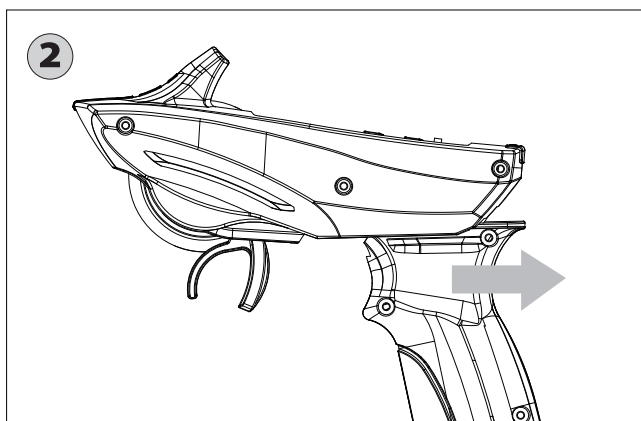
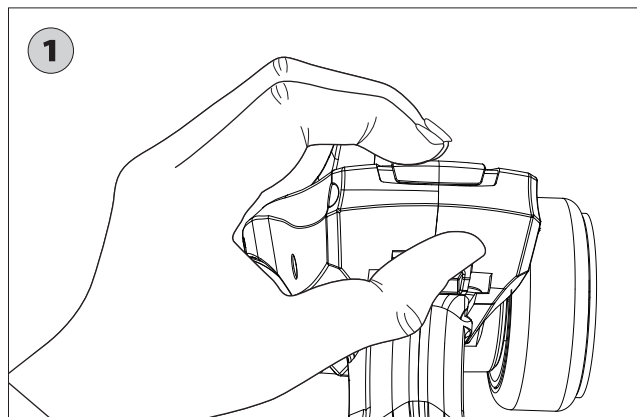
14. TH DR/TH TRIM: 请拉动或推动油门到其最大位置, 然后按 TH-TRIM 或 TH-TRIM- 按钮来调整油门的最大输出。当点 TRIM, 遥控器将发出一个声响, 每点 TRIM 一次, 就发出一个声响。当调到已经居中时, 遥控器会发出两个声响。当调整对偶速率时, 每单击对偶速率就会发出一个声响。发出两个声响表示双倍率在其最大值或最小值。

15. 第四频按键。



## 拆卸或更换手柄

1. 拉动手柄释放门锁。
2. 拉回手柄，从遥控器本身释放手柄。
3. 若要更换手柄，请拉回手柄释放锁存器，并将手柄推回遥控器。



## 电池安装

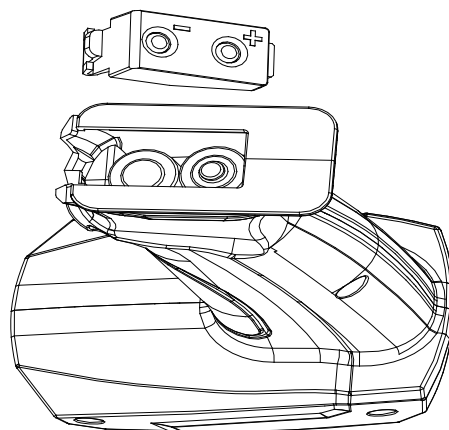
此遥控器接受碱性或 NiMHAA 电池。有内置的低压报警，当电压低于 4.5V/-0.2 时，蜂鸣器将连续发声，LED 灯将闪烁。这是为了提醒用户更换新的电池。

1. 从遥控器上拆下电池盖。
2. 根据电池支架上的极性标记插入 4 个新的 AA 电池。
3. 重新安装电池盖

**警告：** 不要试图给不可充电的电池充电，可能会引起爆炸。



**警告：** 请不要反装电池，否则会破坏电路板功能。



## 通道连接

- 通道 1: 控制车轮, 连接到伺服转向。
- 通道 2: 控制扣机, 连接到 ESC 或伺服油门 / 刹车。
- 通道 3: 控制调节旋钮 (0-100%), 可供选择使用。此端口还可用于连接用于赛车的应答器设备。
- AUX (通道 4): 控制按钮 (打开 / 关闭), 可供选择使用。这个端口是最常用的 LED 灯套件。使用此端口连接外部电池, 用于燃气车辆。

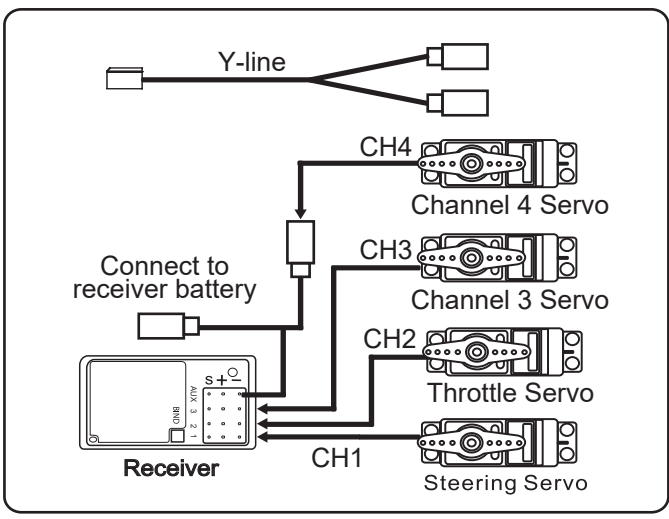
## 接收器安装及连接

### 安装

为了实现您的无线电系统的全工作范围, 重要的是接收器天线没有损坏和安装正确。它应该安装尽可能天线垂直的位置。天线的末端应包含在天线管内。

安装时:

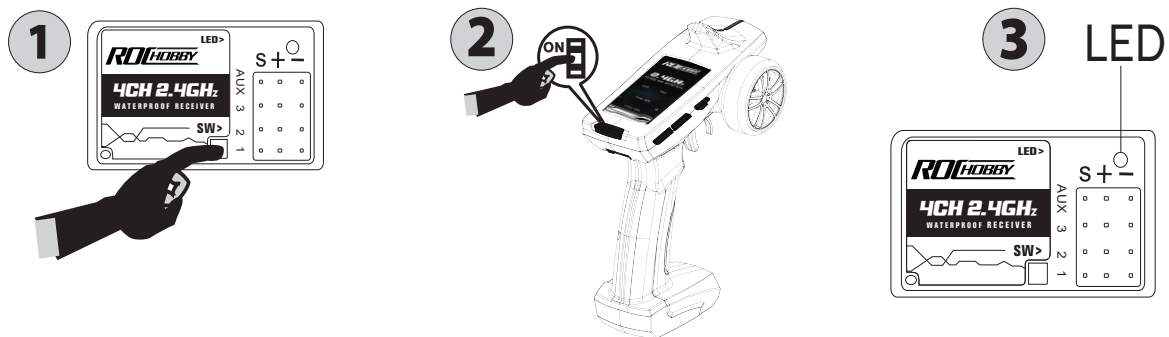
- 确保天线或天线管中没有扭结。
- 永远不要将天线的末端折叠在管子上, 这会降低系统的工作范围, 损坏天线。
- 确保接收器安装安全。



## 对遥控器和接收器进行配对

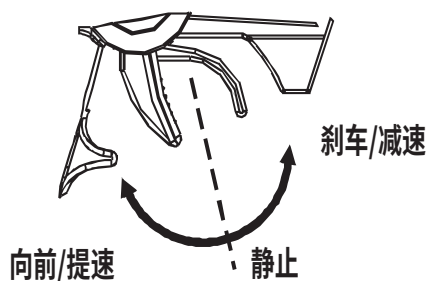
1. 打开接收器电源。按下 SW 开关。接收器的 LED 应该开始闪烁。
2. 打开遥控器。
3. 当接收器上的 LED 变成长亮时, 配对过程就完成了。

注: 安装在 RTR/RS 中的无线电系统已经配对了。只会在安装新的遥控器或遥控器时, 才按上述的过程进行配对。

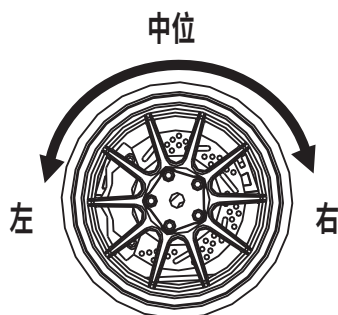


## 操作

A. 扣机



B. 方向轮



1. 将扳机向前推以减速或制动。
2. 后扣动扳机加速。

## 故障安全功能设置

打开遥控器,保持油门在故障安全点,按下接收器上的 SW 按钮约 2 秒。LED 应该闪烁 5 秒,释放 SW 按钮和 TH 触发器,然后关闭遥控器。

## 一般护理

1. 使用后常清洁,用干燥的布或软毛刷清洁您的设备。
2. 不要使用化学清洁剂,因为它们会损坏敏感电子零件和塑料。

# ESC系统手册

### 功能特征

1. 所有天气的作业的防水防尘功能
2. 紧凑的尺寸与内置的电容器模块。
3. 自动油门范围校准。
4. 多重保护: Lipo 或 NiMH 电池的低压切断保护 / 过热保护 / 油门信号丢失保护。
5. 跳线编程。

## 规格

型号		WP-1060-BRUSHED
持续 / 迅间电流		前进: 60A/360A 后退: 30A/180A
输入		2-3S 锂电或 5-9 芯镍氢电
适用的车辆		1: 10 平路车, 越野车, 货卡, 短卡, 1: 10 攀爬车, 坦克和船
电机限制	2S 锂电或 5-6 芯镍氢电	540 或 550 电机 ≥ 8T 或 RPM < 45000 @ 7.2V
	3S 锂电或 7-9 芯镍氢电	540 或 550 电机 ≥ 13T 或 RPM < 30000 @ 7.2V
阻抗		前进: 0.0008 欧姆, 后退: 0.0016 欧姆
内置 BEC		3A/6V( 开关模式 BEC)
尺寸和重量		36*30*18, 40 克

## ESC设置

注意: 电源安装不正确的极性方向, 将立即损坏 ESC。

### 1. 根据以下内容连接 ESC、电机、接收器、电池和舵机系统

确保 ESC 的正及负电线与电池组已连接。

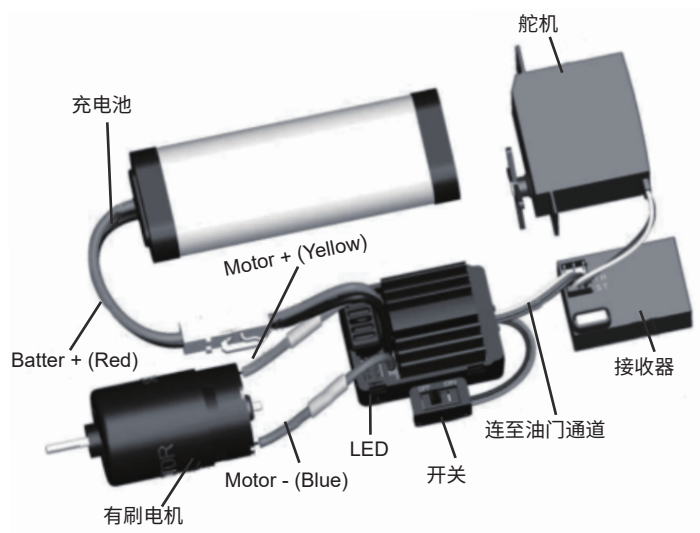
ESC 的控制线连接到 ESC 的节流通道 (通常为 CH2)。

电机正及负电线按任何顺序连接到电机上, 如果电机反向运行, 则反转连接。

### 2. 设置遥控器

请将 D/R、EPA 及 ATL 设置为 100% 用于油门通道 (对于没有 LCD 屏的遥控器, 请将旋钮转到最大值), 并将油门通道的 TRIM 设置为 0 (对于没有 LCD 屏的遥控器, 请将 TRIM 旋钮转到中位置)。

对于遥控器, 油门通道的方向应设置为 Rev, 而其他无线电系统应设置为 NOR。强烈建议启动无线电系统的故障保存功能。当在故障发生时, 确保电机可以停止。



### 3. 油门范围设定(油门范围校正)

为了使 ESC 与不同遥控器油门范围相匹配,需要对 ESC 进行校准。要校准 ESC,请打开遥控器,保持油门棒在其中位,等待 3 秒让执行自我测试和自动油门校准。当 ESC 准备运行时,电机发出一个长的蜂鸣声。

注意:当使用新遥控器时请再次校准油门范围中位、D/R、ATV、ATL 或 EPA 的参数,否则 ESC 可能无法正常工作。

## 警报声及LED状态

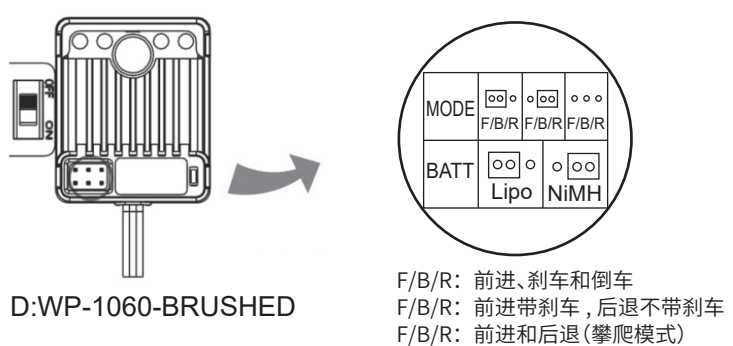
警报声表示	LED状态
<ul style="list-style-type: none"> <li>• 一个短蜂鸣声: 电池为镍氢/镍镉</li> <li>• 两个短蜂鸣声: 电池是2S锂电</li> <li>• 三个短蜂鸣声: 电池是3S锂电</li> <li>• 四个短蜂鸣声: 电池是4S锂电</li> <li>• 一个长蜂鸣声: 自检和油门校准正常,ESC准备运行</li> </ul>	<ul style="list-style-type: none"> <li>• 当油门杆在中性范围内时,红色LED关闭</li> <li>• 部分油门前进、刹车或倒车,红色LED闪烁</li> <li>• 全油门前进、刹车或倒车,红色LED是长亮</li> </ul>

## 油门杆位置



## 设置ESC

1. ESC 以跳线编程(建议用镊子夹起和拔出跳线)。



## 保护功能

1. 低压切断 (LVC) 保护：如果电池组电压低于阈值 2 秒，ESC 将进入保护模式。当汽车停止时，红色 LED 闪烁表示低压切断保护已被激活。

图表 A：WP-1060-BRUSHED 的低压保护

2S锂电	3S锂电
当输出 6.5V 降至 50% 到 6.0V 后作切断, 无法再恢复运作。	当输出 9.75V 降至 50% 到 9.0V 后作切断, 无法再恢复运作。

2. 过热保护：当 ESC 的内部温度高于 100 摄氏度或 212 华氏度 5 秒时, ESC 将减少和切断输出功率。  
当汽车停止时，红色 LED 闪烁以指示过热保护已被激活。如果 ESC 冷却到 80 摄氏度 (176 华氏度)，输出功率将恢复到正常状态。
3. 油门信号丢失保护：如果油门信号丢失 0.1 秒, ESC 将切断输出功率。强烈建议激活无线电系统故障保存功能。

## 查测修理故障

故障问题	可能的原因	传动系统故障解决方案
通电后, 电机不起作用, 没有声音发出, LED 关闭	ESC 没有收到足够的电压, 或者电池组和 ESC 之间的连接被破坏	检查电池电线连接或更换有缺陷的连接器
	开关损坏了	更换开关
接通电源后, 汽车不起作用: 红色 LED 闪烁	油门信号异常	检查油门导线连接; 确保插入接收器的油门通道
	自动油门校准失败	将油门通道的 TRIM 设置为 0 或将旋钮转到其中性位置
当给油门时, 模型反转 (电机方向相反)	需要更改 ESC 与电机之间的电线连接	交换 ESC 和电机之间的两个电线连接
模型没反向	跳线位置错误	检查跳线, 并将其插入正确位置
	油门通道中性点改变或漂移	将油门通道的 TRIM 设置为 0 或将旋钮转到其中性位置
模型只会反向	油门通道方向不正确	将油门通道的方向从原来的 NOR 重置为 REV, 或从原来的 REV 重置为 NOR
电机不工作, 但 ESC 中的 LED 正常工作	电机与 ESC 之间的连接断裂	检查连接, 更换有缺陷的连接器
	马达损坏了	更换马达

故障问题	可能的原因	传动系统故障解决方案
电动机在工作状态时突然停止运转	油门信号丢失	检查发射机和接收器 检查油门导线连接情况
	低压切断保护或过热切断保护已启动	更换电池组,或冷却 ESC
该模型无法达到其最大速度, 红色 LED 在全油门下不会变得坚实	发射机设置不当	检查设置。 将 D/R、EPA、ATL 设置为 100%, 或将旋转变到最大值 将 TRIM 设置为 0 或将旋转变到其中性位置
加速时电机堵塞	电池的放电能力有限	使用放电能力较好的电池
	电机 RPM 值太高, 齿轮比太激进	使用转速较低的电机, 或使用较小的小齿轮, 以获得较软的齿轮比
	汽车的驾驶系统出了问题	检查车辆的传动系统

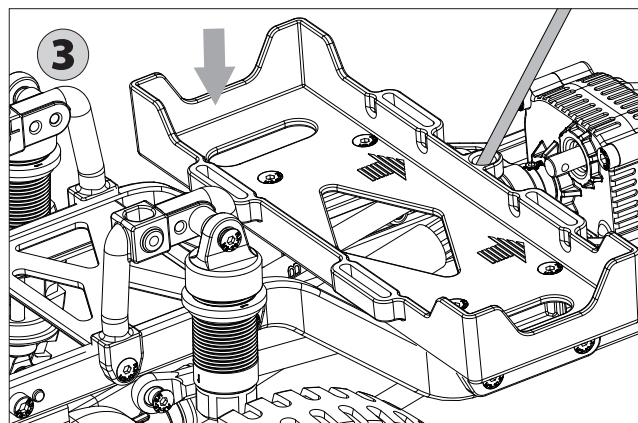
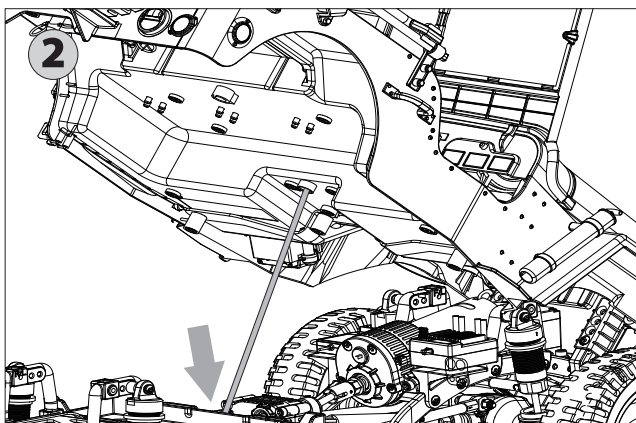
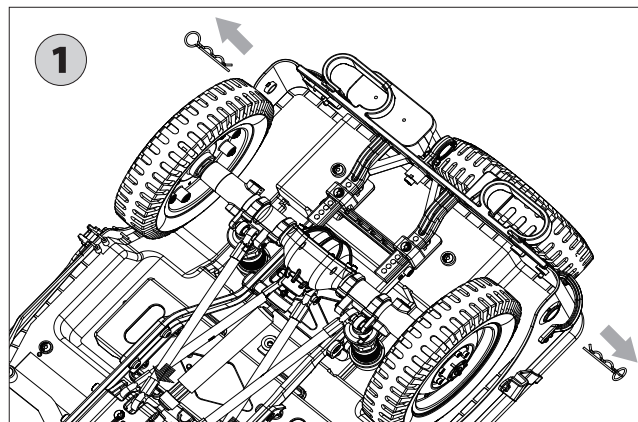
## 车辆设置

### 连接电池

步骤 1: 拨开两个身体销钉。

步骤 2: 提升车身, 将撑杆放置在底盘和车身之间。

步骤 3: 将电池放置在电池盒中, 然后连接 T 电池插头 (T 头或 XT60 头)。





## 安装雨刷, 提起/收放挡风玻璃窗框

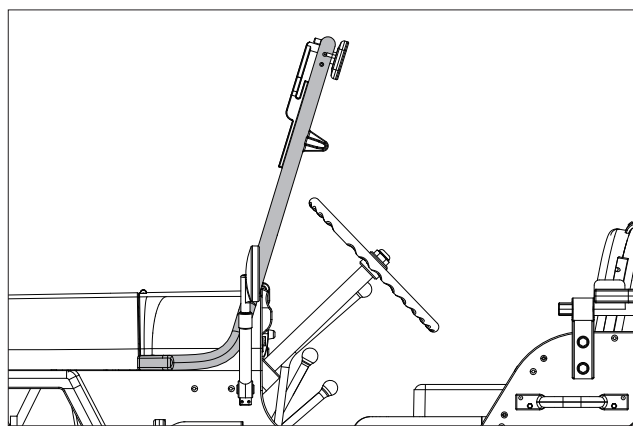
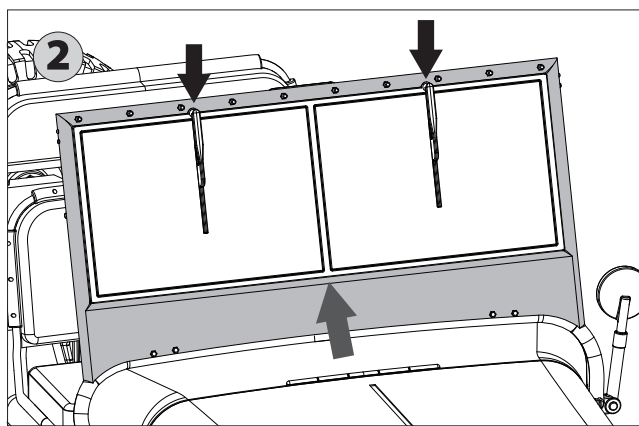
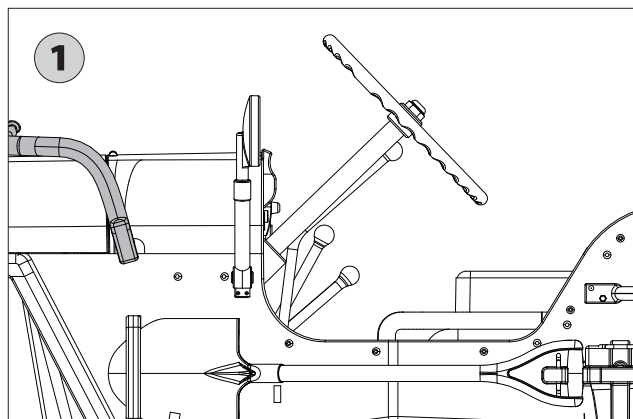
按图指示, 把雨括安装在适当位置。

第一步: 请在图示 2 位置安装雨刷。

第二步: 提升挡风玻璃组件。

第三步: 轻轻按下挡风玻璃的中心, 组件将弯曲并扣在引擎盖上。

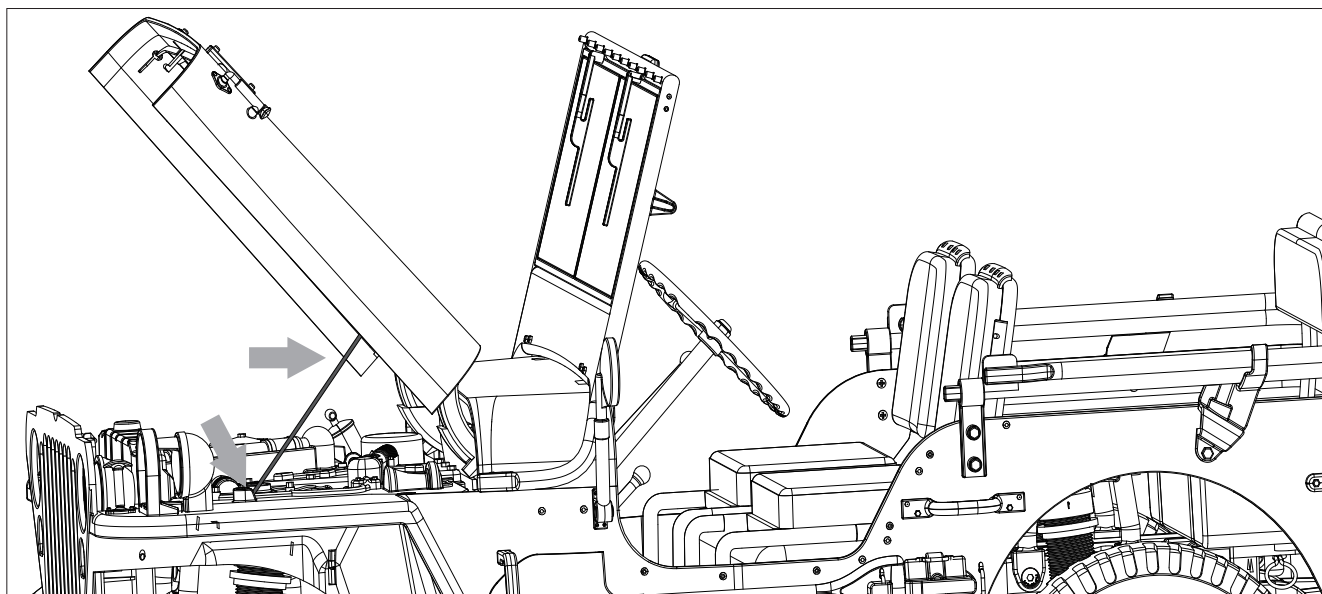
再次按下挡风玻璃的中心弯曲扣位松开收回挡风玻璃。



## 打开引擎盖

第一步: 把引擎盖抬起来。

第二步: 将引擎盖支柱移动到发动机舱上, 以保持撑着引擎盖。

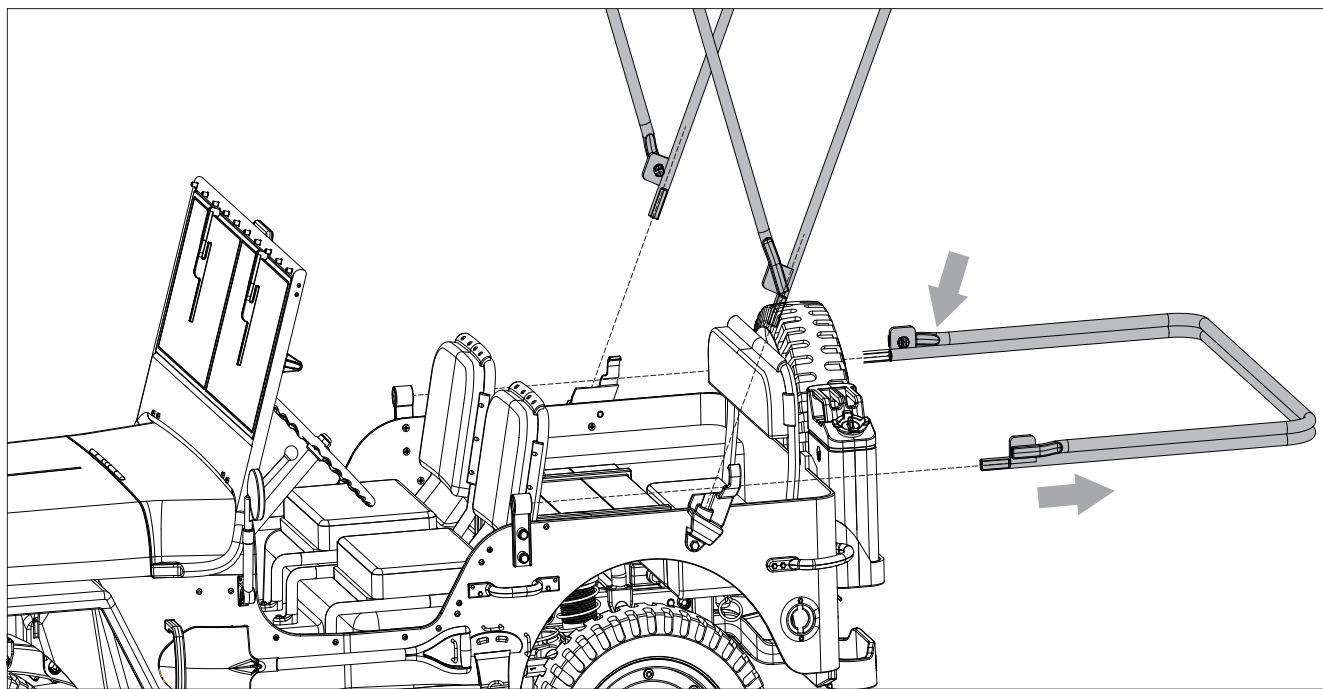




## 设置帆布车篷支架

第一步：拔出帆布车篷支架。

第二步：将帆布车篷支架插入支架安装中



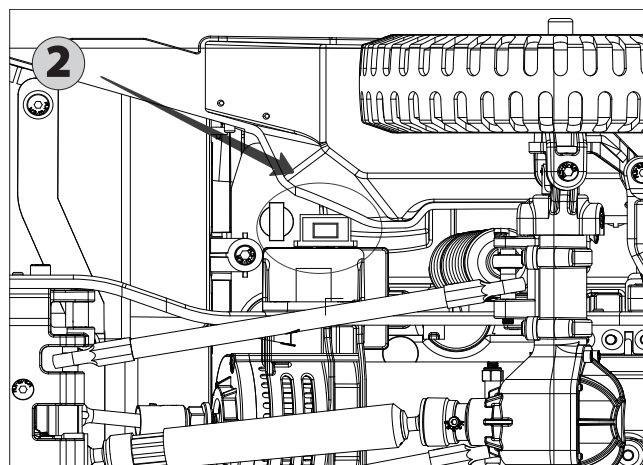
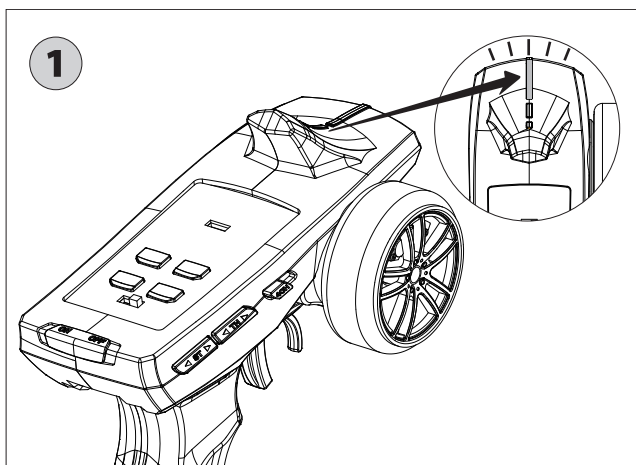
## 车辆操作

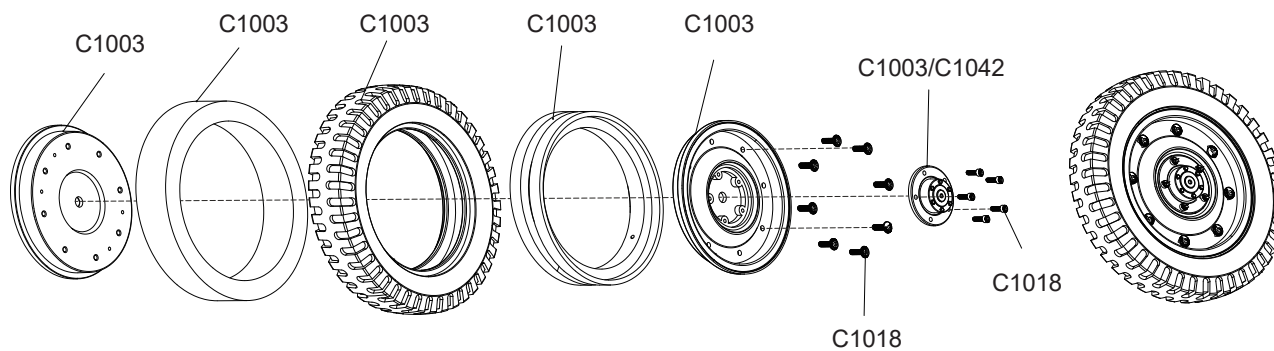
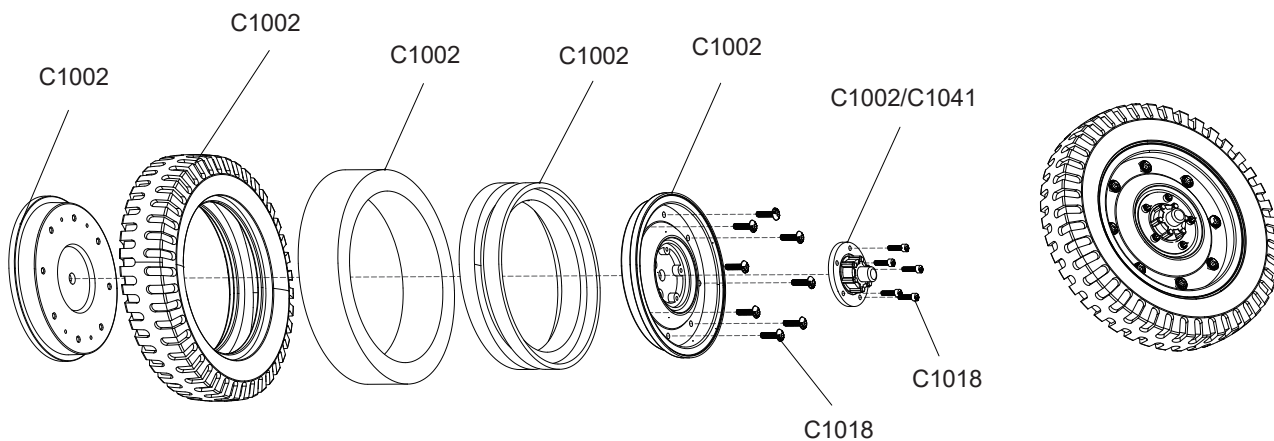
第一步：打开遥控器 - 状态 LED 将变成蓝色, 并发出可听到的音调。

第二步：打开 ESC 开关给车辆供电。前面的灯会发光, 发出可听到的声音  
在接收器确认遥控器信号已被接收后, 它将发出另一个可听到的音调。

以上指引, 必须安装电池。

本产品带有限滑功能, 如启动动力不足, 请检查限滑片进行更换, 配件: C1067 限滑片。

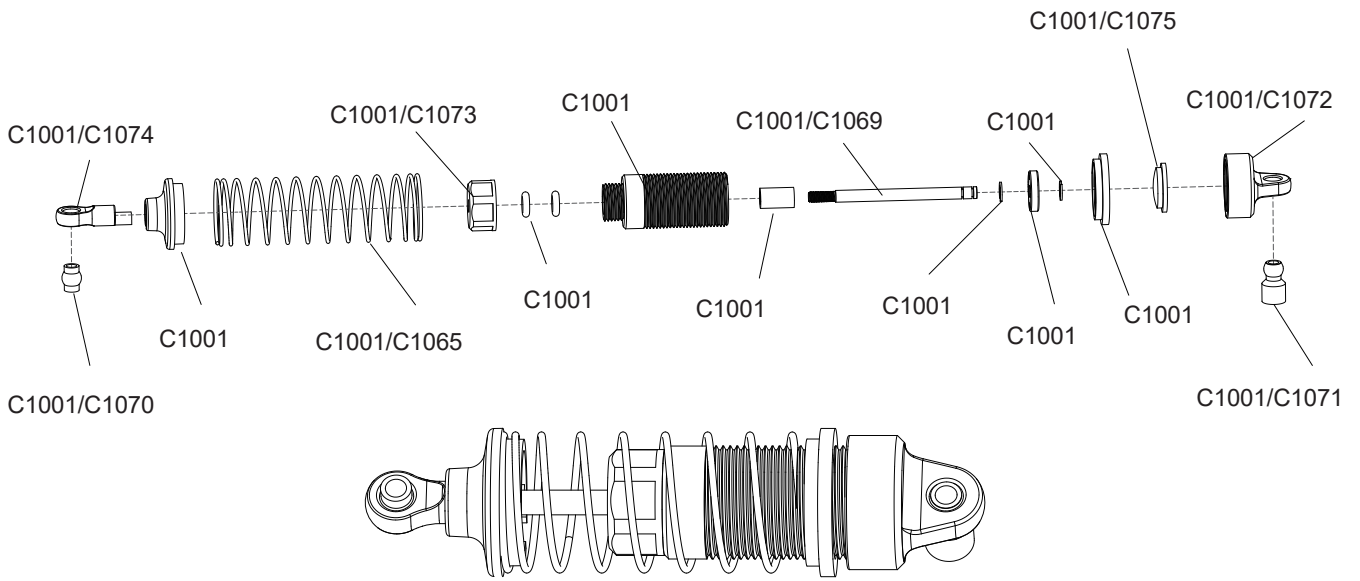






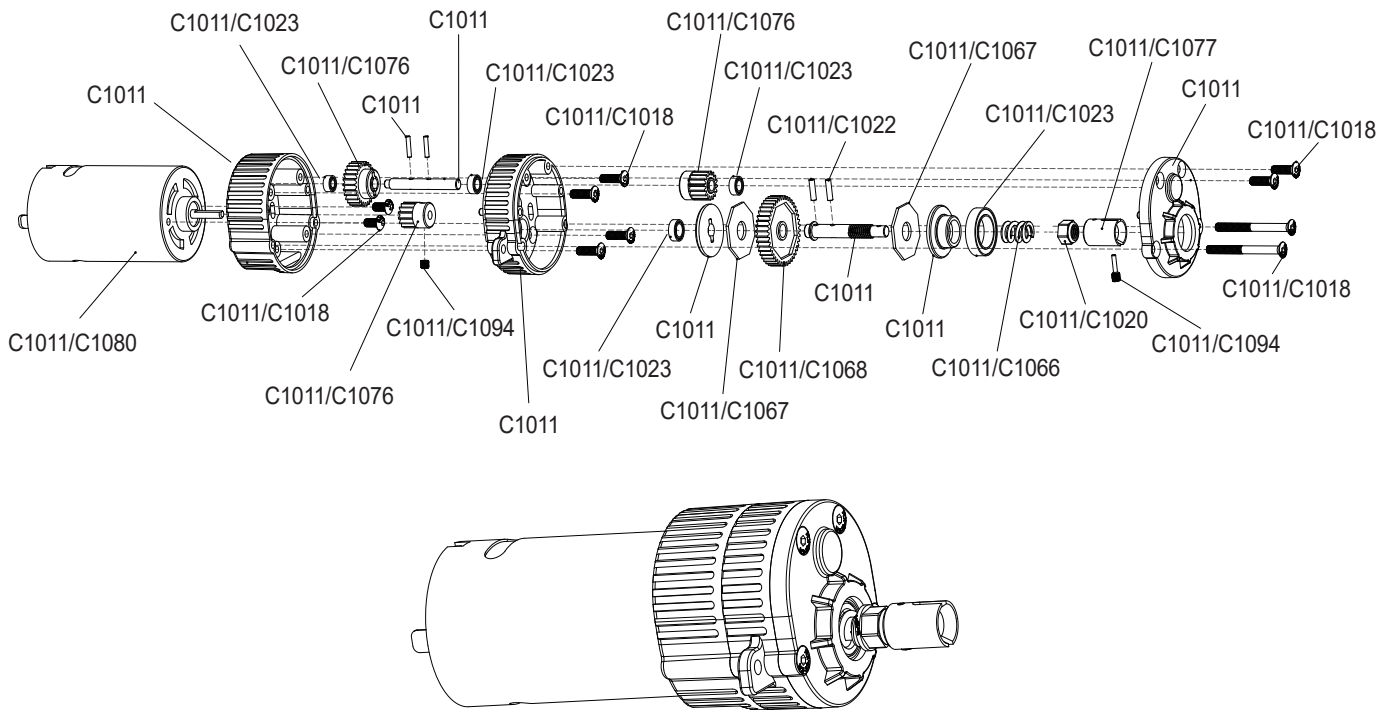
**(EN) OIL SHOCK ABSORBERS ASSEMBLY**  
**(FR) MONTAGE DES AMORTISSEURS HYDRAULIQUES**

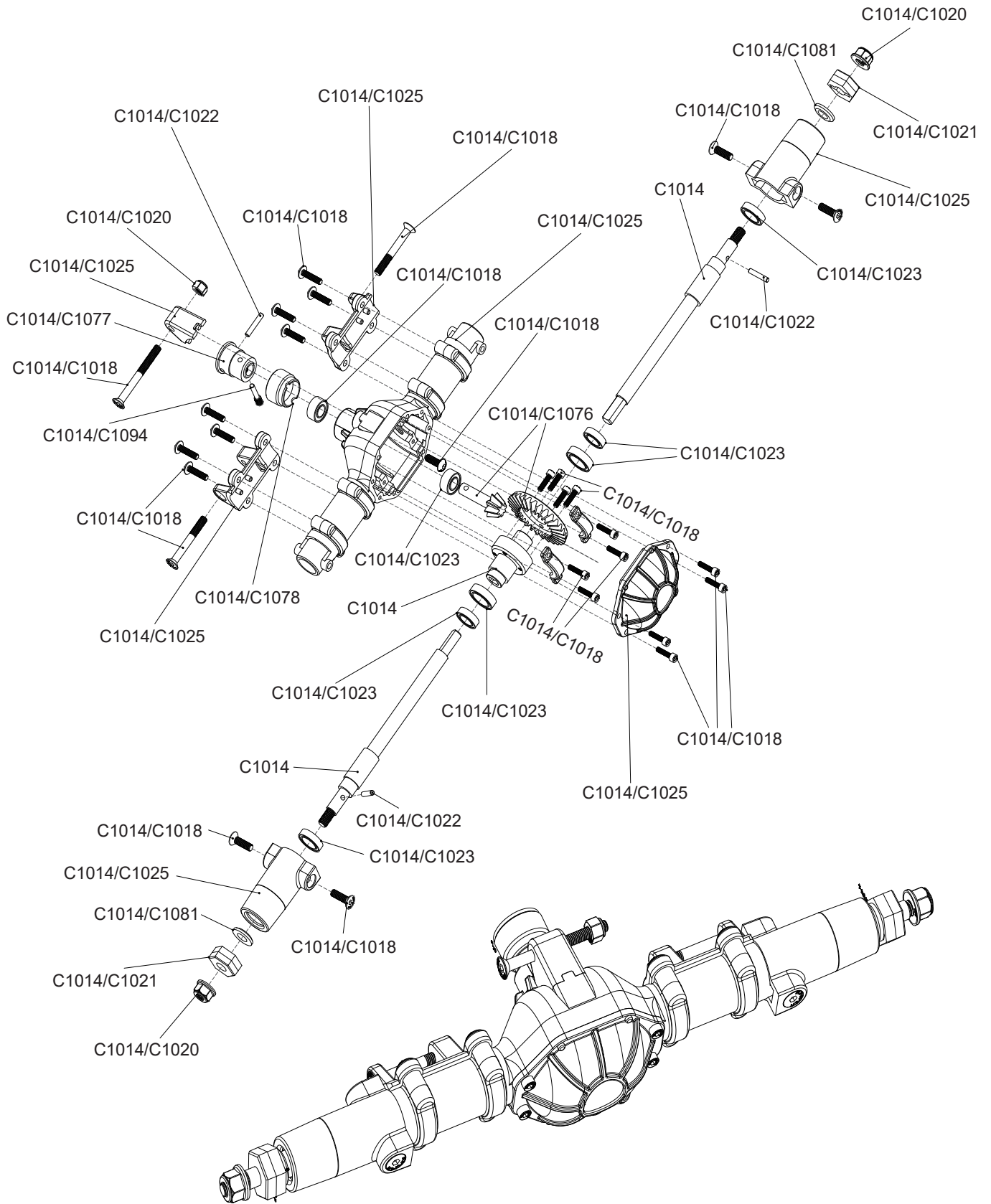
**(DE) EXPLOSIONSZEICHNUNG DES ÖLDRUCKSTOßDÄMPFERS**  
**(CN) 油式避震器装配**

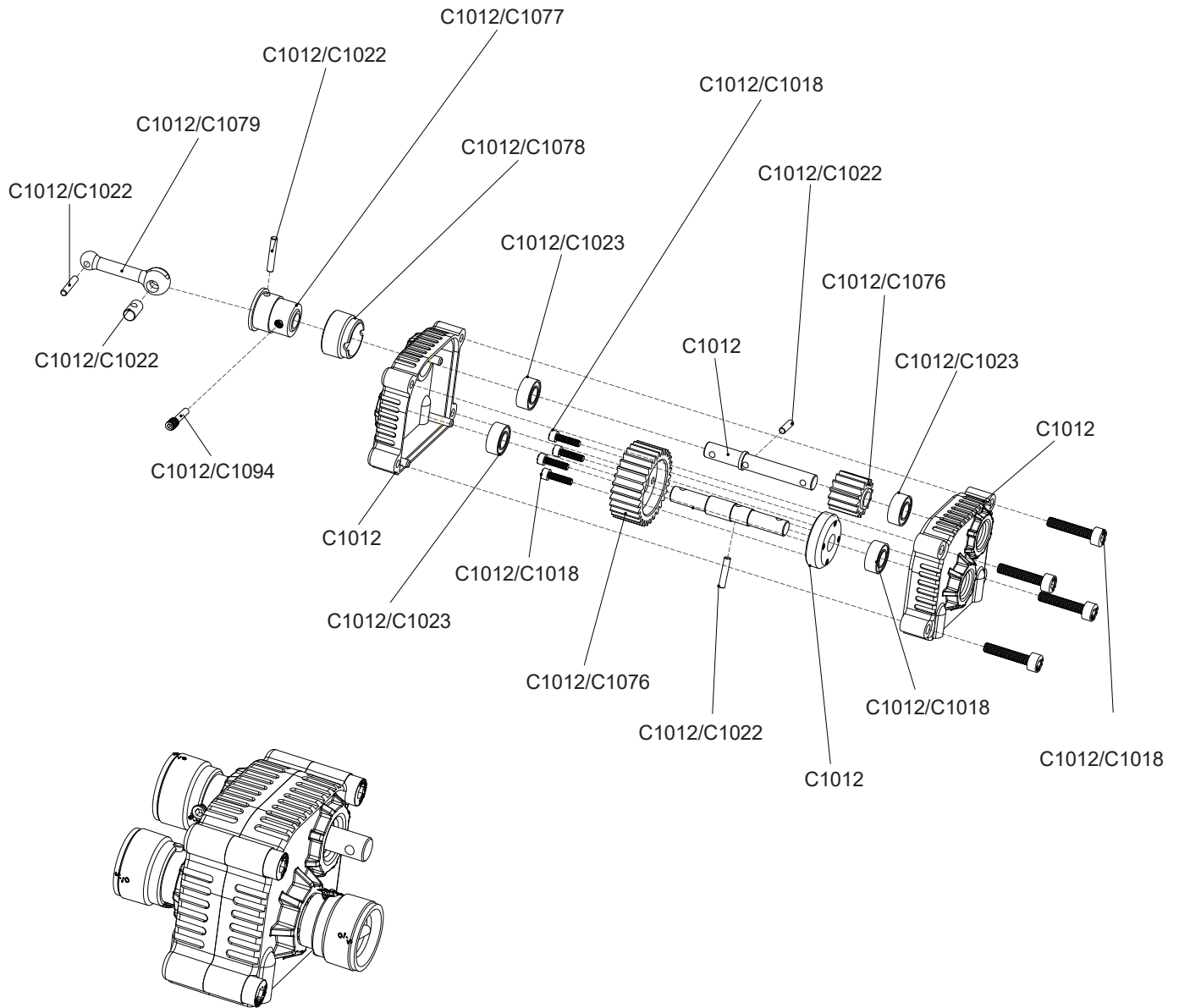


**(EN) MAIN GEAR BOX ASSEMBLY**  
**(FR) MONTAGE DU RÉDUCTEUR PRINCIPAL**

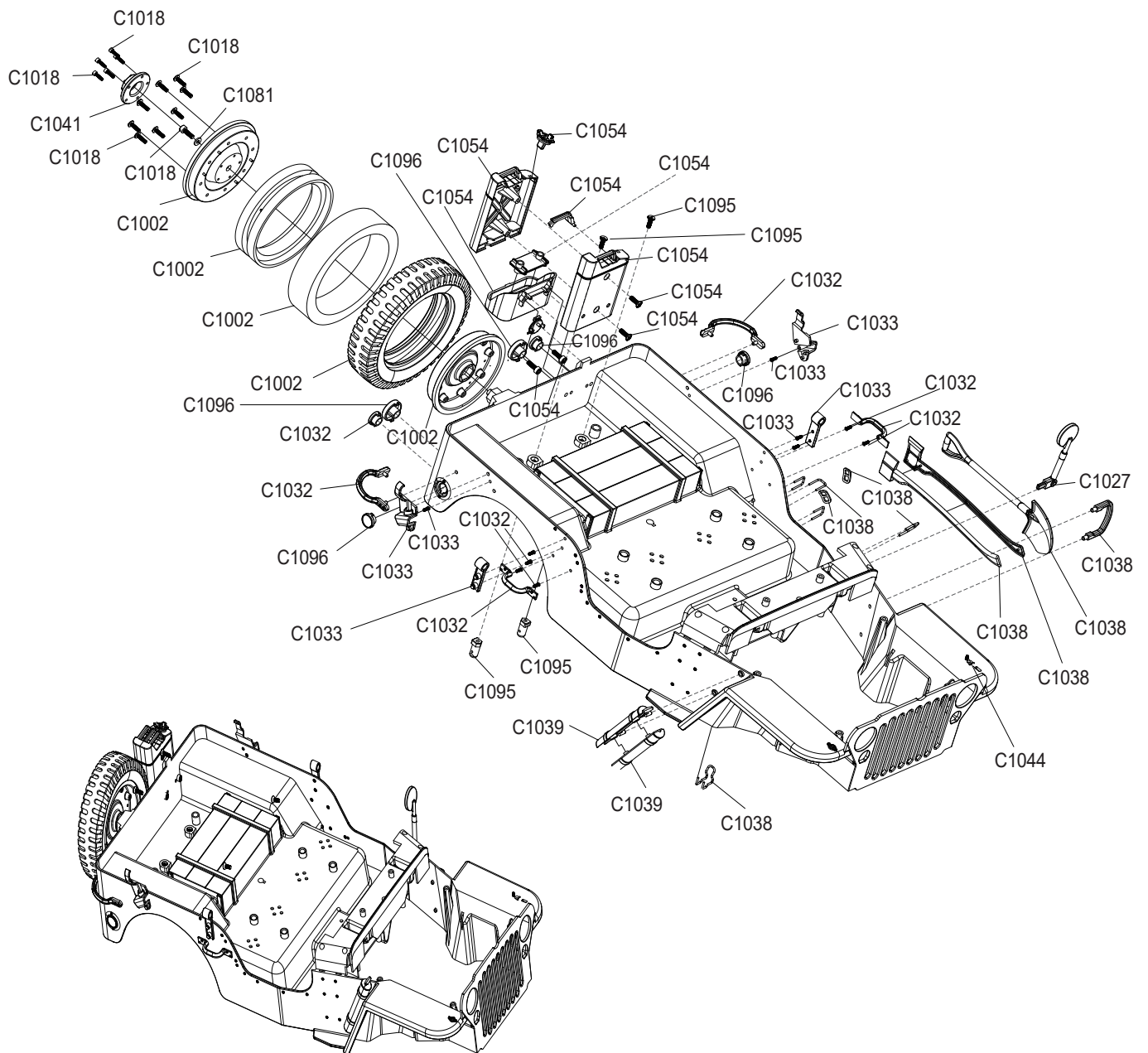
**(DE) EXPLOSIONSZEICHNUNG DER MOTORGETRIEBEBOX**  
**(CN) 驱动牙箱组装配**

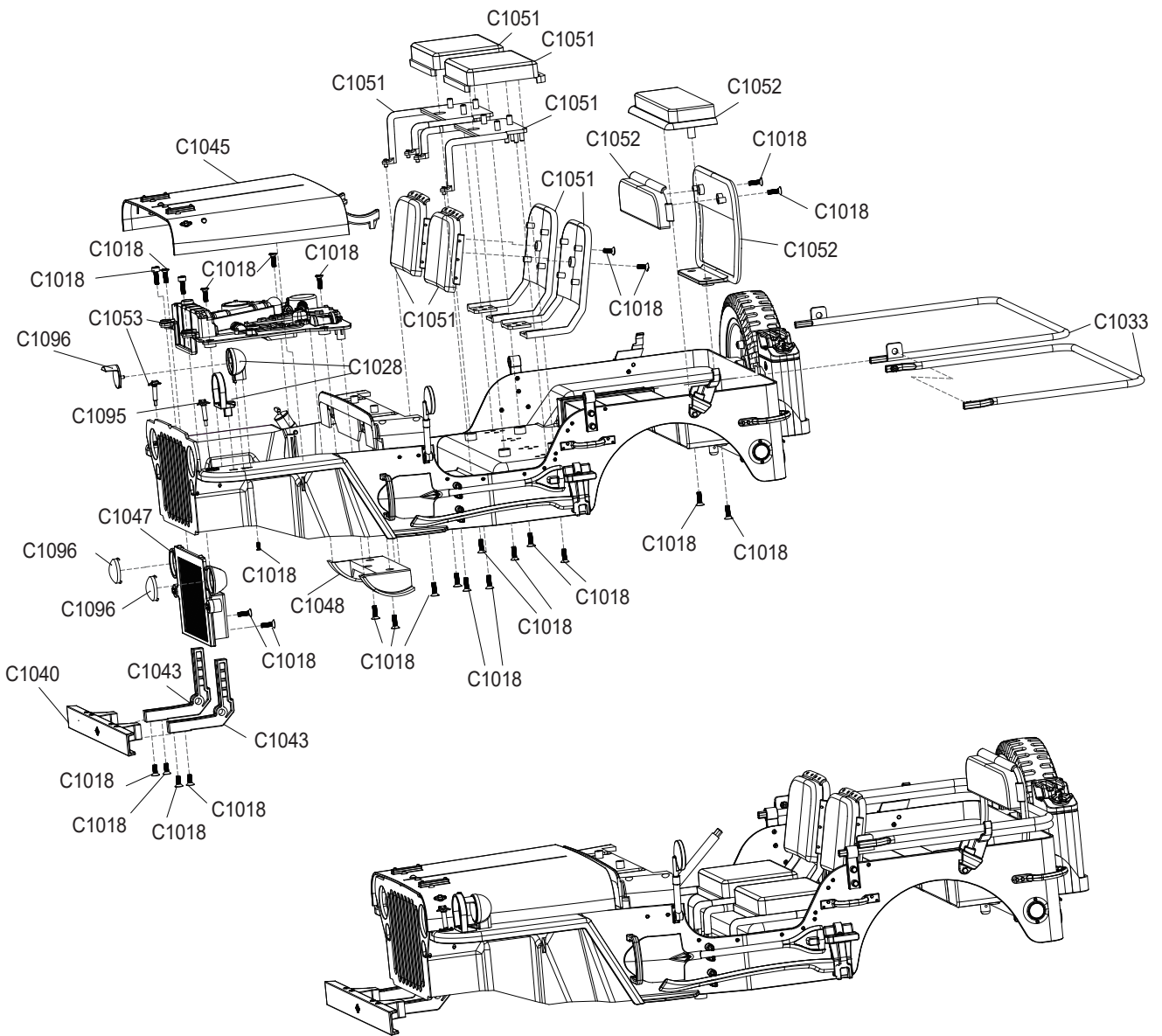




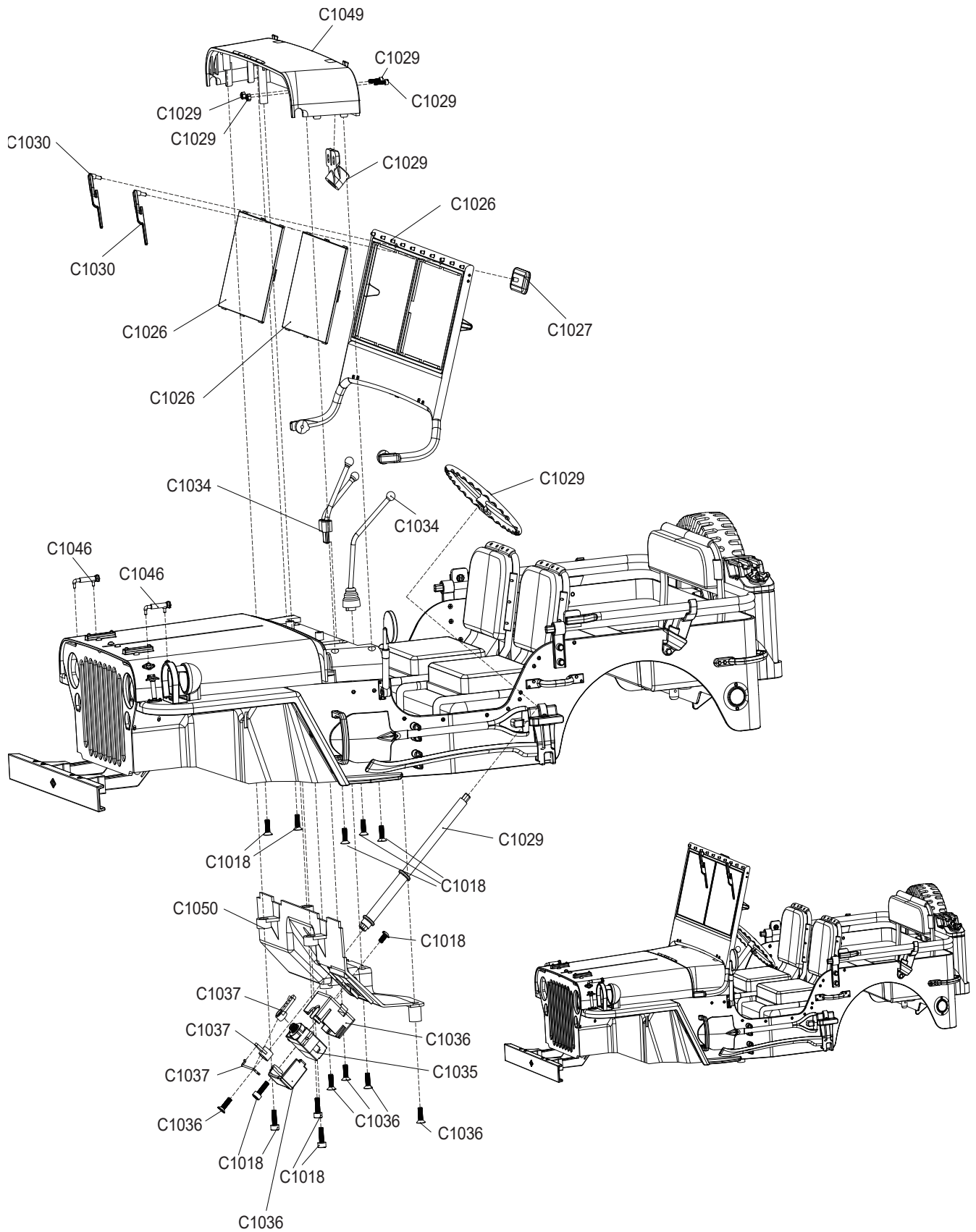






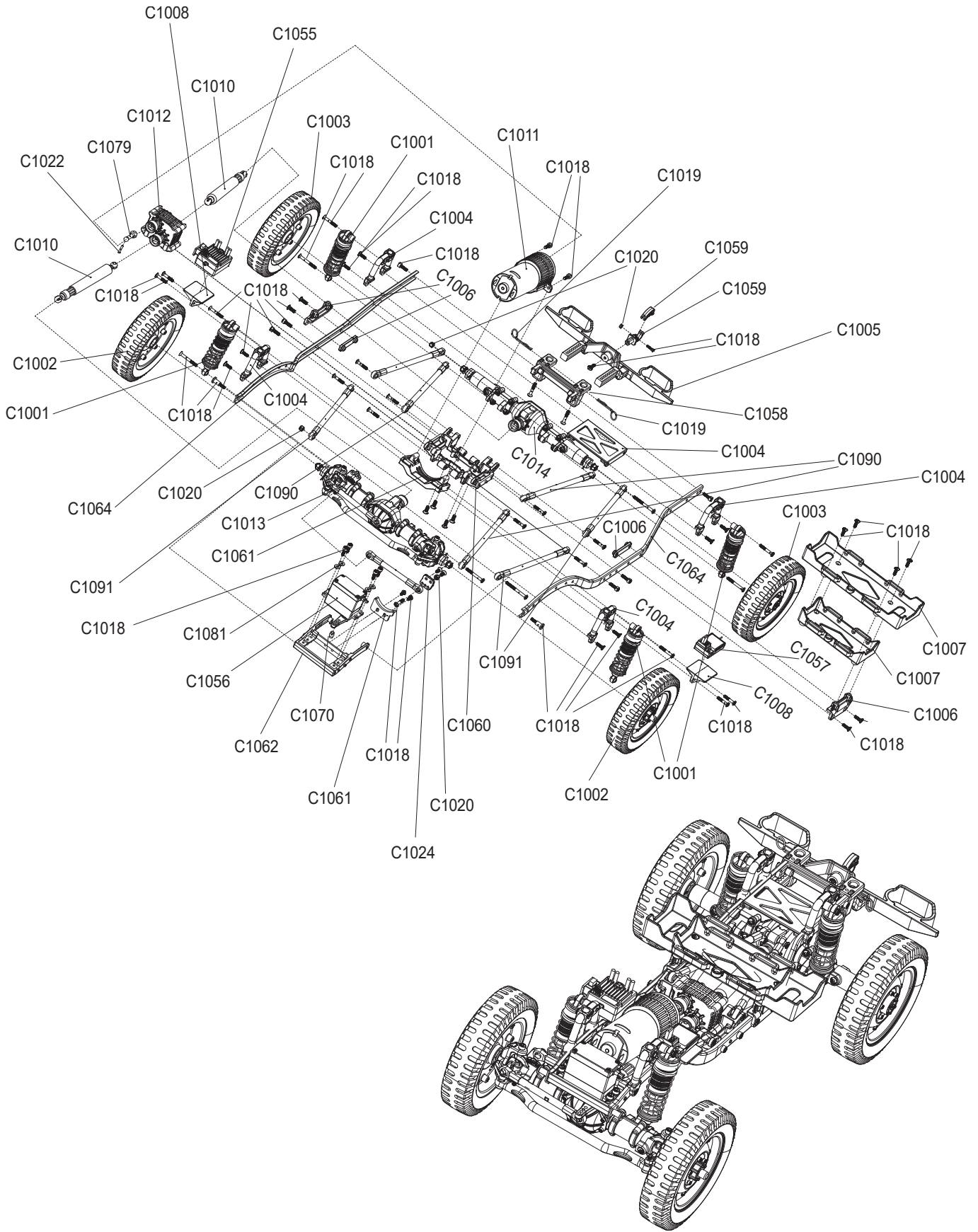






(EN) CHASSIS EXPLOSIVE VIEW  
(FR) VUE ÉCLATÉE DU CHÂSSIS

(DE) EXPLOSIONSZEICHNUNG CHASSIS  
(CN) 车底盘爆炸图



"S" for spare part

"O" for optional part

PART NUMBER	PRODUCT DESCRIPTION	S/O
C1001	OIL SHOCK ABSORBERS ASSEMBLY L:80MM (1 PAIR)	S
C1002	1:6 1941 MB SCALER FRONT WHEELS ASSEMBLY (1 PAIR)	S
C1003	1:6 1941 MB SCALER REAR WHEELS ASSEMBLY (1 PAIR)	S
C1004	1:6 1941 MB SCALER OIL SHOCK ABSORBER MOUNT (1 SET)	S
C1005	1:6 1941 MB SCALER FRONT/REAR BUMPER (1 SET)	S
C1006	1:6 CRAWLER BATTERY BOX MOUNT (1 SET)	S
C1007	1:6 CRAWLER BATTERY BOX SHORT/LONG SIZE (1 SET)	S
C1008	1:6 CRAWLER ESC & RECEIVER MOUNT (1 SET)	S
C1009	BALL CAP FOR LINKAGE AND ROD	S
C1010	1:6 1941 MB SCALER TRANSMISSION SHAFT ASSEMBLY	S
C1011	1:6 1941 MB SCALER MAIN GEAR BOX SET	S
C1012	1:6 1941 MB SCALER TRANSMISSION GEAR BOX ASSEMBLY	S
C1013	1:6 1941 MB SCALER FRONT AXLE ASSEMBLY	S
C1014	1:6 1941 MB SCALER REAR AXLE ASSEMBLY	S
C1015	1941 SCALER CAR BODY ASSEMBLY	S
C1016	1:6 1941 MB SCALER STEERING C HUB PARTS	S
C1017	1:6 1941 MB SCALER SHORT BATTERY BOX	O
C1018	1:6 1941 MB SCALER SPARE SCREW SET	S
C1019	CAR BODY CLIP (BIG SIZE)	S
C1020	SCREW NUT SET	S
C1021	12MM WHEEL HEX SET	S
C1022	1:6 1941 MB SCALER PIN LOCK SET	S
C1023	1:6 1941 MB SCALER BEARING SET	S
C1024	FRONT AXLE PLASTIC PARTS	S
C1025	REAR AXLE PLASTIC PARTS	S
C1026	1:6 1941 MB SCALER WINDOW FRAME	S
C1027	1:6 1941 MB SCALER MIRROR SET	S
C1028	1:6 1941 MB SCALER SPOTLIGHT SET	S
C1029	1:6 1941 MB SCALER STEERING WHEEL SET	S
C1030	1:6 1941 MB SCALER WIPER SET	S
C1031	1:6 1941 MB SCALER CANVAS TOP	O
C1032	1:6 1941 MB SCALER HANDLE SET	S
C1033	1:6 1941 MB SCALER WIPER BRACKET SET	S
C1034	1:6 1941 MB SCALER GAG LEVER POST SET	S
C1035	1:6 1941 MB SCALER 9G SERVO FOR STEERING WHEEL	S
C1036	1:6 1941 MB SCALER 9G SERVO MOUNT SET	S
C1037	1:6 1941 MB SCALER 9G SERVO HORN SET	S
C1038	1:6 1941 MB SCALER AXE AND SAND SHOVEL SET	S
C1039	1:6 1941 MB SCALER COMPRESSOR GUN	S
C1040	1:6 1941 MB SCALER FRONT BUMPER	S
C1041	1:6 1941 MB SCALER FRONT WHEEL COVER (1 PAIR)	S
C1042	1:6 1941 MB SCALER REAR WHEEL COVER (1 PAIR)	S
C1043	1:6 1941 MB SCALER FRONT BUMPER BRACKET	S
C1044	1:6 1941 MB SCALER CAR BODY SHELL	S
C1045	1:6 1941 MB SCALER HOOD	S
C1046	1:6 1941 MB SCALER WINDOW FRAME & HOOD LOCK	S
C1047	1:6 1941 MB SCALER EXHAUSTION PLATE	S
C1048	1:6 1941 MB SCALER INSTRUMENT PANEL SPLINT	S

"S" for spare part

"O" for optional part

PART NUMBER	PRODUCT DESCRIPTION	S/O
C1049	1:6 1941 MB SCALER INSTRUMENT PANEL	S
C1050	1:6 1941 MB SCALER THROTTLE PLATE	S
C1051	1:6 1941 MB SCALER FRONT SEAT	S
C1052	1:6 1941 MB SCALER REAR SEAT	S
C1053	1:6 1941 MB SCALER ENGINE PLATE	S
C1054	1:6 1941 MB SCALER PORTABLE FUEL TANK KIT PACK	S
C1055	WATERPROOF 60A BRUSHED ESC	S
C1056	WATERPROOF 15KG METAL GEAR SERVO	S
C1057	WATERPROOF 2.4G RECEIVER	S
C1058	1:6 1941 MB SCALER REAR BUMPER BRACKET	S
C1059	1:6 1941 MB SCALER TRAILER HOOR	S
C1060	1:6 1941 MB SCALER TRANSMISSION GEAR BOX MOUNT	S
C1061	1:6 1941 MB SCALER MOTOR BRACKET SET	S
C1062	1:6 1941 MB SCALER STEERING SERVO BRACKET	S
C1063	1:6 1941 MB SCALER STEERING LINK	S
C1064	1:6 1941 MB SCALER GIRDER	S
C1065	1:6 1941 MB SCALER OIL SHOCK ABSORBERS SPRING	S
C1066	1:6 1941 MB SCALER SLIPPER SPRING	S
C1067	1:6 1941 MB SCALER SLIPPER PAD	S
C1068	1:6 1941 MB SCALER SPUR GEAR 42T 0.6	S
C1069	1:6 1941 MB SCALER OIL SHOCK ABSORBERS SHAFT	S
C1070	1:6 1941 MB SCALER 5.8 BALL HEAD	S
C1071	1:6 1941 MB SCALER 5.8 BALL TUBE	S
C1072	1:6 1941 MB SCALER OIL SHOCK ABSORBERS UPPER COVER	S
C1073	1:6 1941 MB SCALER OIL SHOCK ABSORBERS LOWER COVER	S
C1074	1:6 1941 MB SCALER OIL SHOCK ABSORBERS UPPER COVER BALL HEAD	S
C1075	1:6 1941 MB SCALER OIL SHOCK ABSORBERS UPPER COVER SEALING FLAT-PLATE	S
C1076	1:6 1941 MB SCALER GEAR SET	S
C1077	1:6 1941 MB SCALER DRIVE CUP SET	S
C1078	1:6 1941 MB SCALER DRIVE CUP COVER	S
C1079	1:6 1941 MB SCALER SHORT DOG BONE SET	S
C1080	35T BRUSHED 550 MOTOR	S
C1081	GASKET SET	S
C1082	1:6 1941 MB SCALER FRONT OUTDRIVE SHAFT ASSEMBLY	O
C1083	1:6 1941 MB SCALER ALUMINIUM STEERING C HUB PARTS	O
C1084	BUSHING SET	O
C1085	1:6 1941 MB SCALER ALUMINIUM STEERING BRACKET SET	O
C1086	1:6 1941 MB SCALER ALUMINIUM WIPER BRACKET SET	O
C1087	1:6 1941 MB SCALER ALUMINIUM REAR BUMPER	O
C1088	1:6 1941 MB SCALER ALUMINIUM FRONT BUMPER	O
C1089	1:6 1941 MB SCALER MACHINE GUN	O
C1090	1:6 1941 MB SCALER METAL LINK L:92MM	S
C1091	1:6 1941 MB SCALER METAL LINK L:85MM	S
C1092	1:6 1941 MB SCALER METAL LINK L:41MM	S
C1093	1:6 1941 MB SCALER METAL LINK L:54MM	S
C1094	1:6 1941 MB SCALER SET SCREWS	S
C1095	1:6 1941 MB SCALER BODY POST	S

**"S"** for spare part**"O"** for optional part

PART NUMBER	PRODUCT DESCRIPTION	S/O
C1096	1:6 1941 MB SCALER BODY LENS SET	S
C1097	1:6 1941 MB SCALER PINION GEAR	S
C1098	1:6 1941 MB SCALER 2.4G TRANSMITTER	S
C1099	1:6 1941 MB SCALER 2.4G TRANSMITTER RECEIVER SET	S
C1100	1:6 1941 MB SCALER REAR WHEEL SHAFT	S

"S" Serienteil

"O" optionales Teil

PART NUMBER	PRODUCT DESCRIPTION	S/O
C1001	ÖLDRUCKSTOßDÄMPFER L:80MM (1 PAAR)	S
C1002	1:6 1941 MB SCALER VORDERRÄDER (1 PAAR)	S
C1003	1:6 1941 MB SCALER HINTERRÄDER (1 PAAR)	S
C1004	1:6 1941 MB SCALER STOßDÄMPFERHALTER (1 SET)	S
C1005	1:6 1941 MB SCALER STOßFÄNGER VORNE / HINTEN (1 SET)	S
C1006	1:6 CRAWLER HALTER AKKUBOX (1 SET)	S
C1007	1:6 CRAWLER AKKUBOX KURZ/LANG (1 SET)	S
C1008	1:6 CRAWLER HALTER F. ESC UND EMPFÄNGER (1 SET)	S
C1009	KUGELPFANNE ANLENKUNG U. GESTÄNGE	S
C1010	1:6 1941 MB SCALER ANTRIEBSWELLE SET	S
C1011	1:6 1941 MB SCALER GETRIEBEBOX SET	S
C1012	1:6 1941 MB SCALER GETRIEBEBOX / ACHSABTRIEB SET	S
C1013	1:6 1941 MB SCALER VORDERACHSE SET	S
C1014	1:6 1941 MB SCALER HINTERACHSE SET	S
C1015	1941 SCALER CAR BODY ASSEMBLY	S
C1016	1:6 1941 MB SCALER LENKUNG C HUB PARTS	S
C1017	1:6 1941 MB SCALER AKKUBOX KURZ	O
C1018	1:6 1941 MB SCALER ERSATZ SCHRAUBEN SET	S
C1019	BODY CLIPS ( GROSß)	S
C1020	SCHRAUBEN- MUTTERN SET	S
C1021	12MM RADMUTERN SET	S
C1022	1:6 1941 MB SCALER SPERRSTIFT SET	S
C1023	1:6 1941 MB SCALER LAGER SET	S
C1024	KUNSTSTOFFTEILE VORDERACHSE	S
C1025	KUNSTSTOFFTEILE HINTERACHSE	S
C1026	1:6 1941 MB SCALER RAHMEN WINDSCHUTZSCHEIBE	S
C1027	1:6 1941 MB SCALER RÜCKSPIEGEL SET	S
C1028	1:6 1941 MB SCALER SUCHSCHEINWERFER SET	S
C1029	1:6 1941 MB SCALER LENKRAD	S
C1030	1:6 1941 MB SCALER SCHEIBENWISCHER SET	S
C1031	1:6 1941 MB SCALER CANVAS VERDECK	O
C1032	1:6 1941 MB SCALER HANDGRIFFE SET	S
C1033	1:6 1941 MB SCALER SCHEIBENWISCHERHALTER SET	S
C1034	1:6 1941 MB SCALER SCHALTKNÜPPELHALTER	S
C1035	1:6 1941 MB SCALER 9G SERVO FÜR LENKRAD	S
C1036	1:6 1941 MB SCALER 9G SERVOHALTER SET	S
C1037	1:6 1941 MB SCALER 9G SERVOHORN SET	S
C1038	1:6 1941 MB SCALER AXT UND SCHAUFEL SET	S
C1039	1:6 1941 MB SCALER COMPRESSOR GUN	S
C1040	1:6 1941 MB SCALER STOßFÄNGER VORNE	S
C1041	1:6 1941 MB SCALER RADKAPPE VORNE (1 PAAR)	S
C1042	1:6 1941 MB SCALER RADKAPPE HINTEN (1 PAAR)	S
C1043	1:6 1941 MB SCALER STOßFÄNGERHALTER VORNE (1 PAAR)	S
C1044	1:6 1941 MB SCALER UNTERTEIL KAROSSERIE	S
C1045	1:6 1941 MB SCALER MOTORHAUBE	S
C1046	1:6 1941 MB SCALER WINDSCHUTZSCHEIBENRAHMEN&MOTORHAUBENVERRIEGELUNG	S
C1047	1:6 1941 MB SCALER KÜHLERINNENTEIL MIT SCHEINWERFEREINSÄTZEN	S
C1048	1:6 1941 MB SCALER INSTRUMENT PANEL UNTERTEIL	S



"S" Serienteil

"O" optionales Teil

PART NUMBER	PRODUCT DESCRIPTION	S/O
C1049	1:6 1941 MB SCALER INSTRUMENT PANEL	S
C1050	1:6 1941 MB SCALER FUSSRAUMVERKLEIDUNG VORNE	S
C1051	1:6 1941 MB SCALER SITZ VORNE	S
C1052	1:6 1941 MB SCALER SITZ HINTEN	S
C1053	1:6 1941 MB SCALER MOTORATRAPPE	S
C1054	1:6 1941 MB SCALER BENZINKANISTER	S
C1055	60 A ESC FAHRTENREGLER SPRITZWASSERGESCHÜTZT	S
C1056	15 KG SERVO M. METALLGETRIEBE FAHRTENREGLER SPRITZWASSERGESCHÜTZT	S
C1057	2.4 GHZ EMPFÄNGER SPRITZWASSERGESCHÜTZT	S
C1058	1:6 1941 MB SCALER STOßFÄNGERHALTER HINTEN	S
C1059	1:6 1941 MB SCALER ANHÄNGERKUPPLUNG	S
C1060	1:6 1941 MB SCALER GETRIEBEBOXHALTER	S
C1061	1:6 1941 MB SCALER MOTORHALTER	S
C1062	1:6 1941 MB SCALER LENKSERVOHALTER	S
C1063	1:6 1941 MB SCALER LENKSERVO	S
C1064	1:6 1941 MB SCALER HALTER	S
C1065	1:6 1941 MB SCALER STOßDÄMPFERFEDER	S
C1066	1:6 1941 MB SCALER FEDER RUTSCHKUPPLUNG	S
C1067	1:6 1941 MB SCALER PAD RUTSCHKUPPLUNG	S
C1068	1:6 1941 MB SCALER STIRNRAD 42T 0.6	S
C1069	1:6 1941 MB SCALER OLDRUCKSTOßDÄMPFER KOLBEN	S
C1070	1:6 1941 MB SCALER 5.8 KUGELKOPF	S
C1071	1:6 1941 MB SCALER 5.8 KUGELPFANNE	S
C1072	1:6 1941 MB SCALER ÖLDRUCKSTOßDÄMPFERABDECKUNG OBEN	S
C1073	1:6 1941 MB SCALER ÖLDRUCKSTOßDÄMPFERABDECKUNG UNTEN	S
C1074	1:6 1941 MB SCALER ÖLDRUCKSTOßDÄMPFERABDECKUNG KUGELKOPF OBEN	S
C1075	1:6 1941 MB SCALER ÖLDRUCKSTOßDÄMPFERABDECKUNG DICHTPLATTE	S
C1076	1:6 1941 MB SCALER GETRIEBERÄDER SET	S
C1077	1:6 1941 MB SCALER ANTRIEBSWELLEN SET	S
C1078	1:6 1941 MB SCALER ABDECKUNG ANTRIEBSWELLEN SET	S
C1079	1:6 1941 MB SCALER SHORT DOG BONE SET	S
C1080	35T 550 BÜRSTENMOTOR	S
C1081	DICHTUNGSSET	S
C1082	1:6 1941 MB SCALER ANTRIEBSWELLEN VORNE SET	O
C1083	1:6 1941 MB SCALER LENKGESTÄNGE C HUB ALUMINIUM	O
C1084	LAGERSET	O
C1085	1:6 1941 MB SCALER ALUMINIUM LENKGESTÄNGEHALTER SET	O
C1086	1:6 1941 MB SCALER ALUMINIUM SCHEIBENWISCHERHALTER SET	O
C1087	1:6 1941 MB SCALER ALUMINIUM STOßFÄNGER HINTEN	O
C1088	1:6 1941 MB SCALER ALUMINIUM STOßFÄNGER VORNE	O
C1089	MASCHINENGEWEHR	O
C1090	1:6 1941 MB SCALER SPURSTANGE METALL: 92MM	S
C1091	1:6 1941 MB SCALER SPURSTANGE METALL: 85MM	S
C1092	1:6 1941 MB SCALER SPURSTANGE METALL: 41MM	S
C1093	1:6 1941 MB SCALER SPURSTANGE METALL: 54MM	S
C1094	1: 6 1941 MB KLETTERMASCHINENMESSER	S
C1095	1: 6 1941 MB KLETTERAUTOSCHLOSS	S
C1096	1: 6 1941 MB BERGSTEIGER LAMPE LEUCHTET TABLETTE	S

**"S"** Serienteil**"O"** optionales Teil

PART NUMER	PRODUCT DESCRIPTION	S/O
C1097	1: 6 1941 MB KLETTERMOTORZÄHNE	S
C1098	1: 6 1941 MB SCALER 2.4G SENDER	S
C1099	1: 6 1941 MB SCALER 2.4G SENDER EMPFÄNGER SET	S
C1100	1: 6 1941 MB SCALER HINTERRADWELLE	S



**"S"** Pièce de rechange**"O"** Pièce optionnelle

PART NUMBER	PRODUCT DESCRIPTION	S/O
C1001	ENSEMBLE AMORTISSEURS À HUILE L : 80 mm (1 PAIRE)	S
C1002	1:6 1941 MB SCALER - ENSEMBLE ROUES AVANT (1 PAIRE)	S
C1003	1:6 1941 MB SCALER - ENSEMBLE ROUES ARRIÈRE (1 PAIRE)	S
C1004	1:6 1941 MB SCALER - SUPPORTS D'AMORTISSEURS (1 SET)	S
C1005	1:6 1941 MB SCALER - PARE-CHOCS AV ET AR (1 SET)	S
C1006	1:6 CRAWLER SUPPORT DE LOGEMENT DE BATTERIE (1 SET)	S
C1007	1:6 CRAWLER LOGEMENT DE BATTERIE - LONG/COURT (1 SET)	S
C1008	1:6 CRAWLER SUPPORT DE VARIATEUR ET RÉCEPTEUR (1 SET)	S
C1009	EMBOUTS DE ROTULES POUR TRINGLERIES ET TIGES	S
C1010	1:6 1941 MB SCALER - ENSEMBLE ARBRE DE TRANSMISSION	S
C1011	1:6 1941 MB SCALER - SET RÉDUCTEUR PRINCIPAL	S
C1012	1:6 1941 MB SCALER - ENSEMBLE BOÎTE DE TRANSMISSION	S
C1013	1:6 1941 MB SCALER - ENSEMBLE ESSIEU AVANT	S
C1014	1:6 1941 MB SCALER - ENSEMBLE ESSIEU ARRIÈRE	S
C1015	1:6 1941 MB SCALER - ENSEMBLE CARROSSERIE	S
C1016	1:6 1941 MB SCALER - PIÈCES DE BOÎTIERS DE DIRECTION	S
C1017	1:6 1941 MB SCALER - LOGEMENT DE BATTERIE COURT	O
C1018	1:6 1941 MB SCALER - JEU DE VIS DE RECHANGE	S
C1019	CLIPS DE CARROSSERIE (GRAND FORMAT)	S
C1020	JEU D'ÉCROUS ET VIS	S
C1021	JEU D'HEXAGONES DE ROUES 12 mm	S
C1022	1:6 1941 MB SCALER - SET DE PIONS DE VERROUILLAGE	S
C1023	1:6 1941 MB SCALER - JEU DE ROULEMENTS	S
C1024	PIÈCES PLASTIQUE DE L'ESSIEU AVANT	S
C1025	PIÈCES PLASTIQUE DE L'ESSIEU ARRIÈRE	S
C1026	1:6 1941 MB SCALER - CADRE DE FENÊTRES	S
C1027	1:6 1941 MB SCALER - SET DE RÉTROVISEURS	S
C1028	1:6 1941 MB SCALER - SET DE SPOTLIGHTS	S
C1029	1:6 1941 MB SCALER - SET VOLANT	S
C1030	1:6 1941 MB SCALER - SET ESSUIE-GLACES	S
C1031	1:6 1941 MB SCALER - HAUT DE CAPOTE	O
C1032	1:6 1941 MB SCALER - JEU DE POIGNÉES	S
C1033	1:6 1941 MB SCALER - JEU DE SUPPORTS D'ESSUIE-GLACES	S
C1034	1:6 1941 MB SCALER - SET LEVIER DE VITESSE	S
C1035	1:6 1941 MB SCALER - SERVO 9 g POUR LE VOLANT	S
C1036	1:6 1941 MB SCALER - SET SUPPORT SERVO 9 g	S
C1037	1:6 1941 MB SCALER - SET PALONNIERS DE SERVO 9G	S
C1038	1:6 1941 MB SCALER - SET HACHE ET PELLE	S
C1039	1:6 1941 MB SCALER - PISTOLET COMPRESSEUR	S
C1040	1:6 1941 MB SCALER - PARE-CHOCS AVANT	S
C1041	1:6 1941 MB SCALER - COUVRE ROUES AVANT (1 PAIRE)	S
C1042	1:6 1941 MB SCALER - COUVRE ROUES ARRIÈRE (1 PAIRE)	S
C1043	1:6 1941 MB SCALER - SUPPORT DE PARE-CHOCS AVANT	S
C1044	1:6 1941 MB SCALER - CARROSSERIE	S
C1045	1:6 1941 MB SCALER - CAPOT	S
C1046	1:6 1941 MB SCALER - CADRE DE FENÊTRE ET VERROU DE CAPOT	S
C1047	1:6 1941 MB SCALER - PLAQUE D'ÉCHAPPEMENT	S
C1048	1:6 1941 MB SCALER - ECLAIRAGE TABLEAU DE BORD	S

**"S"** Pièce de rechange**"O"** Pièce optionnelle

PART NUMBER	PRODUCT DESCRIPTION	S/O
C1049	1:6 1941 MB SCALER - TABLEAU DE BORD	S
C1050	1:6 1941 MB SCALER - PLATINE DES PÉDALES	S
C1051	1:6 1941 MB SCALER - SIÈGE AVANT	S
C1052	1:6 1941 MB SCALER - SIÈGE ARRIÈRE	S
C1053	1:6 1941 MB SCALER - PLAQUE MOTEUR	S
C1054	1:6 1941 MB SCALER - PACK DE BIDONS D'ESSENCE PORTABLES	S
C1055	VARIATEUR POUR MOTEUR À BALAIS 60A ÉTANCHE	S
C1056	SERVO ÉTANCHE 15 KG À PIGNONS MÉTAL	S
C1057	RÉCEPTEUR ÉTANCHE 2,4 GHZ	S
C1058	1:6 1941 MB SCALER - SUPPORT DE PARE-CHOCS ARRIÈRE	S
C1059	1:6 1941 MB SCALER - CROCHET DE REMORQUE	S
C1060	1:6 1941 MB SCALER - SUPPORT DE BOÎTE DE TRANSMISSION	S
C1061	1:6 1941 MB SCALER - SET SUPPORT MOTEUR	S
C1062	1:6 1941 MB SCALER - SUPPORT DE SERVO DE DIRECTION	S
C1063	1:6 1941 MB SCALER - BIELLETTE DE DIRECTION	S
C1064	1:6 1941 MB SCALER - LONGERON	S
C1065	1:6 1941 MB SCALER - RESSORT D'AMORTISSEUR	S
C1066	1:6 1941 MB SCALER - RESSORT DE SLIPPER	S
C1067	1:6 1941 MB SCALER - GARNITURE DE SLIPPER	S
C1068	1:6 1941 MB SCALER - COURONNE 42 DENTS MODULE 0,6	S
C1069	1:6 1941 MB SCALER - TIGE D'AMORTISSEUR	S
C1070	1:6 1941 MB SCALER - ROTULE 5,8 MM	S
C1071	1:6 1941 MB SCALER - TUBE DE ROTULE DE 5,8 MM	S
C1072	1:6 1941 MB SCALER - BOUCHON SUPÉRIEUR D'AMORTISSEUR	S
C1073	1:6 1941 MB SCALER - BOUCHON INFÉRIEUR D'AMORTISSEUR	S
C1074	1:6 1941 MB SCALER - CHAPE INFÉRIEURE DE TIGE D'AMORTISSEUR	S
C1075	1:6 1941 MB SCALER - MEMBRANE D'ÉTANCHÉITÉ SUPÉRIEURE D'AMORTISSEUR	S
C1076	1:6 1941 MB SCALER - JEU DE PIGNONS	S
C1077	1:6 1941 MB SCALER - JEU DE COUPELLES D'ENTRAÎNEMENT	S
C1078	1:6 1941 MB SCALER - CAPOT DE COUPELLES D'ENTRAÎNEMENT	S
C1079	1:6 1941 MB SCALER - JEU DE CARDANS COURTS	S
C1080	MOTEUR À BALAIS 550 - 35 TOURS	S
C1081	JEU DE JOINTS	S
C1082	1:6 1941 MB SCALER - ARBRE DE TRANSMISSION DE SORTIE AVANT	O
C1083	1:6 1941 MB SCALER - PIÈCES DE BLOCS DE DIRECTION ALUMINIUM	O
C1084	JEU DE ROULEMENTS	O
C1085	1:6 1941 MB SCALER - SET DE SUPPORTS DE DIRECTION ALUMINIUM	O
C1086	1:6 1941 MB SCALER - JEU DE SUPPORTS D'ESSUIE-GLACE ALUMINIUM	O
C1087	1:6 1941 MB SCALER - PARE-CHOCS ARRIÈRE ALUMINIUM	O
C1088	1:6 1941 MB SCALER - PARE-CHOCS AVANT ALUMINIUM	O
C1089	1:6 1941 MB SCALER - MITRAILLEUSE	O
C1090	1:6 1941 MB SCALER - BIELLETTE MÉTAL L : 92 MM	S
C1091	1:6 1941 MB SCALER - BIELLETTE MÉTAL L : 85 MM	S
C1092	1:6 1941 MB SCALER - BIELLETTE MÉTAL L : 41 MM	S
C1093	1:6 1941 MB SCALER - BIELLETTE MÉTAL L : 54 MM	S
C1094	1:6 1941 MB COMPTEUR MACHINE GRIMPEUR	S
C1095	1:6 1941 MB SERRURE DE SURFACE DE VOITURE GRIMPEUR	S
C1096	1:6 1941 MB FEUX DE GRIMPEUR	S

**"S"** Pièce de rechange**"O"** Pièce optionnelle

PART NUMER	PRODUCT DESCRIPTION	S/O
C1097	1: 6 1941 MB ENGRENAGE MOTEUR GRIMPEUR	S
C1098	1: 6 1941 MB DÉTARTREUR 2.4G ÉMETTEUR	S
C1099	1: 6 1941 MB DÉTARTREUR 2.4G ÉMETTEUR RÉCEPTEUR SET	S
C1100	1: 6 MB 1941 DÉTARTREUR ROUE ARRIÈRE ARBRE	S

"S" 为配件

"O" 为升级件

PART NUMBER	PRODUCT DESCRIPTION	S/O
C1001	避振器品成 长:80mm (一对)	S
C1002	1:6 1941 MB 攀登者 前车轮品成(一对)	S
C1003	1:6 1941 MB 攀登者 后车轮品成(一对)	S
C1004	1:6 1941 MB 攀登者 避振器码件(1套)	S
C1005	1:6 1941 MB 攀登者 后防撞	S
C1006	1:6 1941 MB 攀登者 电池盒固定件(一套)	S
C1007	1:6 1941 MB 攀登者 电池盒固定件(一套)	S
C1008	1:6 1941 MB 攀登者 电调及接收机固定件(一套)	S
C1009	连杆波帽	S
C1010	传动轴品成	S
C1011	驱动牙箱组散件	S
C1012	中传动牙箱品成	S
C1013	前桥品成	S
C1014	后桥品成	S
C1015	车壳品成	S
C1016	1:6 1941 MB 攀登者 转向C座件	S
C1017	1:6 1941 MB 攀登者 短版电池盒	O
C1018	1:6 1941 MB 攀登者 螺丝包	S
C1019	车壳销针	S
C1020	1:6 1941 MB 攀登者 螺母包	S
C1021	12mm 车轮6角件	S
C1022	1:6 1941 MB 攀登者销针	S
C1023	1:6 1941 MB 攀登者 轴承包	S
C1024	前桥胶件	S
C1025	后桥胶件	S
C1026	1:6 1941 MB 攀登者 窗框	S
C1027	1:6 1941 MB 攀登者 高清镜	S
C1028	1:6 1941 MB 攀登者射灯	S
C1029	1:6 1941 MB 攀登者方向盘	S
C1030	1:6 1941 MB 攀登者雨刮	S
C1031	1:6 1941 MB 攀登者车篷	O
C1032	1:6 1941 MB 攀登者手柄	S
C1033	1:6 1941 MB 攀登者车篷支架	S
C1034	1:6 1941 MB 攀登者挡杆	S
C1035	1:6 1941 MB 攀登者 9克舵机	S
C1036	1:6 1941 MB 攀登者 9克舵机码件	S
C1037	1:6 1941 MB 攀登者 9克舵机遥臂	S
C1038	1:6 1941 MB 攀登者 斧子/沙铲	S
C1039	1:6 1941 MB 攀登者 润滑油冲压机	S
C1040	1:6 1941 MB 攀登者 前防撞	S
C1041	1:6 1941 MB 攀登者 前轮芯盖(一对)	S
C1042	1:6 1941 MB 攀登者 后轮芯盖(一对)	S
C1043	1:6 1941 MB 攀登者 前防撞支架	S
C1044	1:6 1941 MB 攀登者 车壳主体	S
C1045	1:6 1941 MB 攀登者 引擎罩	S
C1046	1:6 1941 MB 攀登者 车窗扣/引擎罩扣	S
C1047	1:6 1941 MB 攀登者 排气板	S
C1048	1:6 1941 MB 攀登者 仪表板托件	S

"S" 为配件

"O" 为升级件

PART NUMBER	PRODUCT DESCRIPTION	S/O
C1049	1:6 1941 MB 攀登者 仪表板	S
C1050	1:6 1941 MB 攀登者 油门板	S
C1051	1:6 1941 MB 攀登者 前座椅	S
C1052	1:6 1941 MB 攀登者 后座椅	S
C1053	1:6 1941 MB 攀登者 引擎板	S
C1054	1:6 1941 MB 攀登者 油桶	S
C1055	1:6 1941 MB 攀登者 防水60A电调	S
C1056	1:6 1941 MB 攀登者 防水15KG 金属齿舵机	S
C1057	2.4G 防水接收器	S
C1058	1:6 1941 MB 攀登者 后防撞支架	S
C1059	1:6 1941 MB 攀登者 拖车钩	S
C1060	1:6 1941 MB 攀登者 中传动牙箱码件	S
C1061	1:6 1941 MB 攀登者 中传动牙箱支架	S
C1062	1:6 1941 MB 攀登者 转向舵机支架	S
C1063	1:6 1941 MB 攀登者 转向连杆	S
C1064	1:6 1941 MB 攀登者 金属大梁	S
C1065	1:6 1941 MB 攀登者 避振弹簧	S
C1066	1:6 1941 MB 攀登者 限滑器弹簧	S
C1067	1:6 1941 MB 攀登者 限滑片	S
C1068	1:6 1941 MB 攀登者 大齿42T 0.6	S
C1069	1:6 1941 MB 攀登者 油压芯	S
C1070	1:6 1941 MB 攀登者 5.8波头	S
C1071	1:6 1941 MB 攀登者 5.8波套 H12mm	S
C1072	1:6 1941 MB 攀登者 避振上盖	S
C1073	1:6 1941 MB 攀登者 避振下盖	S
C1074	1:6 1941 MB 攀登者 避振波帽	S
C1075	1:6 1941 MB 攀登者 避振密封平垫	S
C1076	1:6 1941 MB 攀登者 齿轮套装	S
C1077	1:6 1941 MB 攀登者 驱动杯套装	S
C1078	1:6 1941 MB 攀登者 驱动杯套	S
C1079	1:6 1941 MB 攀登者 短狗骨套装	S
C1080	35T 有刷550电机	S
C1081	垫圈	S
C1082	前轮转动轴组装	O
C1083	1:6 1941 MB 攀登者 金属转向C座件	O
C1084	套筒介子	O
C1085	1:6 1941 MB 攀登者 金属转向支架	O
C1086	1:6 1941 MB 攀登者 金属车篷支架	O
C1087	1:6 1941 MB 攀登者 金属后防撞	O
C1088	1:6 1941 MB 攀登者 金属前防撞	O
C1089	1:6 1941 MB 攀登者 机枪	O
C1090	1:6 1941 MB 攀登者 金属拉杆 L:92mm	S
C1091	1:6 1941 MB 攀登者 金属拉杆 L:85mm	S
C1092	1:6 1941 MB 攀登者 金属拉杆 L:41mm	S
C1093	1:6 1941 MB 攀登者 金属拉杆 L:54mm	S
C1094	1:6 1941 MB 攀登者 机米	S
C1095	1:6 1941 MB 攀登者 车面锁扣件	S
C1096	1:6 1941 MB 攀登者 灯灯片	S

"S" 为配件

"O" 为升级件

PART NUMBER	PRODUCT DESCRIPTION	S/O
C1097	1:6 1941 MB 攀登者 马达齿	S
C1098	1:6 1941 MB 攀登者 发射器	S
C1099	1:6 1941 MB 攀登者 发射器及接收器	S
C1100	1:6 1941 MB 攀登者 后轮轴	S







***ROBOHOBBY***

**MADE IN CHINA**