

B-MAX NDDP GT-R (NISMO GT3) BODY SHELL

Official Licensed Product
NO.48758

killerbody™

1/10 RC PLANNING INSTRUCTION SHEET

This body can be used with 1/10 electric touring car chassis (Long Wheelbase: 257mm, Width: 195mm)

Before beginning assembly, please read these instructions thoroughly!

● Symbols used throughout the instruction manual, comprise:



Cut off shaded portion.



5mm
Drill holes with
the specified diameter.



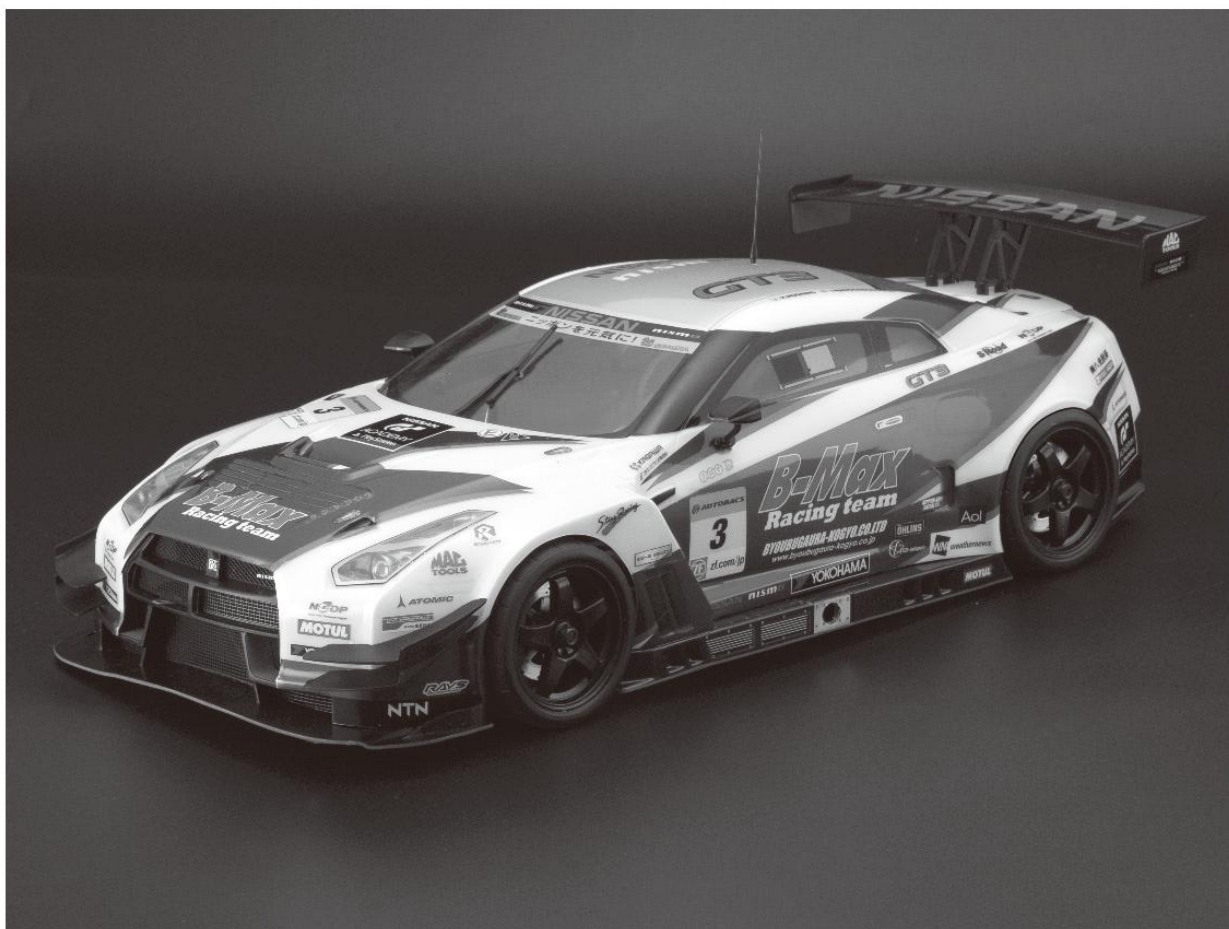
Pay close attention here!



Must be purchased
separately.



Assemble left and right sides
the same way.



● Before Assembly

Decoration Body

▶ In the case of a decoration body, please assemble it according to the contents showed.

When making the window transparent

▶ If you want to make the window transparent with a non decoration body, please assemble it according to the contents showed.

Non Decoration Body

▶ In the case of non decoration body, please assemble it according to the contents showed.

When loading LED lights

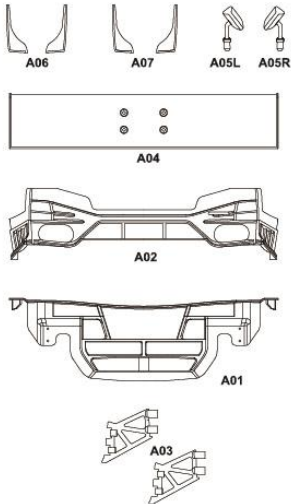
▶ If you want to load LED lights with a non decoration body, please assemble it according to the contents showed.

PARTS

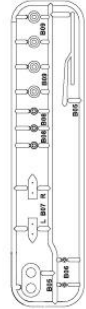
ABS parts -----X2	Body decal sheet -----X1	Clip -----X2
PP part -----X1	Window masks -----X1	O-Ring -----X2
PC parts -----X3	Silver mirror decal -----X1	Antenna -----X1
Stainless steel air intake mesh -----X1	Screw 2.3X6mm -----X8	LED stopper -----X4
Trailer ring (red) -----X1		

PLASTIC PARTS

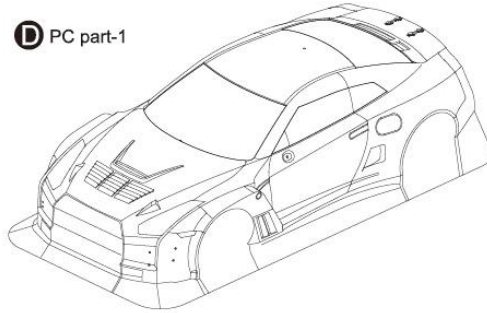
A PP part



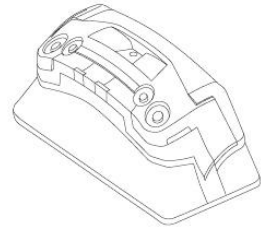
B ABS part-1



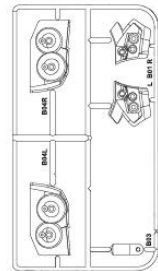
D PC part-1



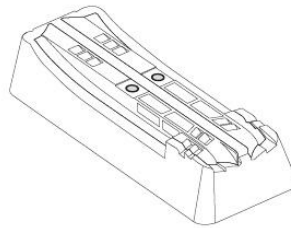
F PC part-3



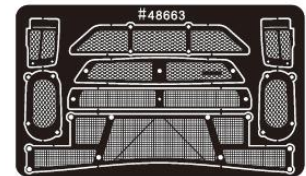
C ABS-2 part



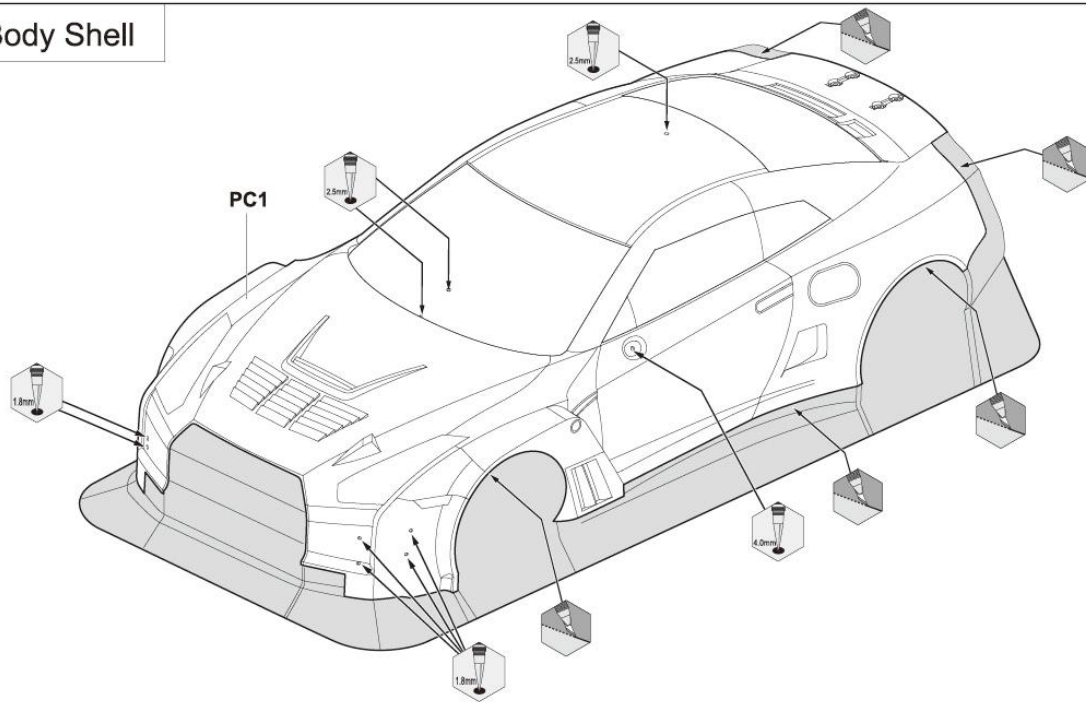
E PC part-2

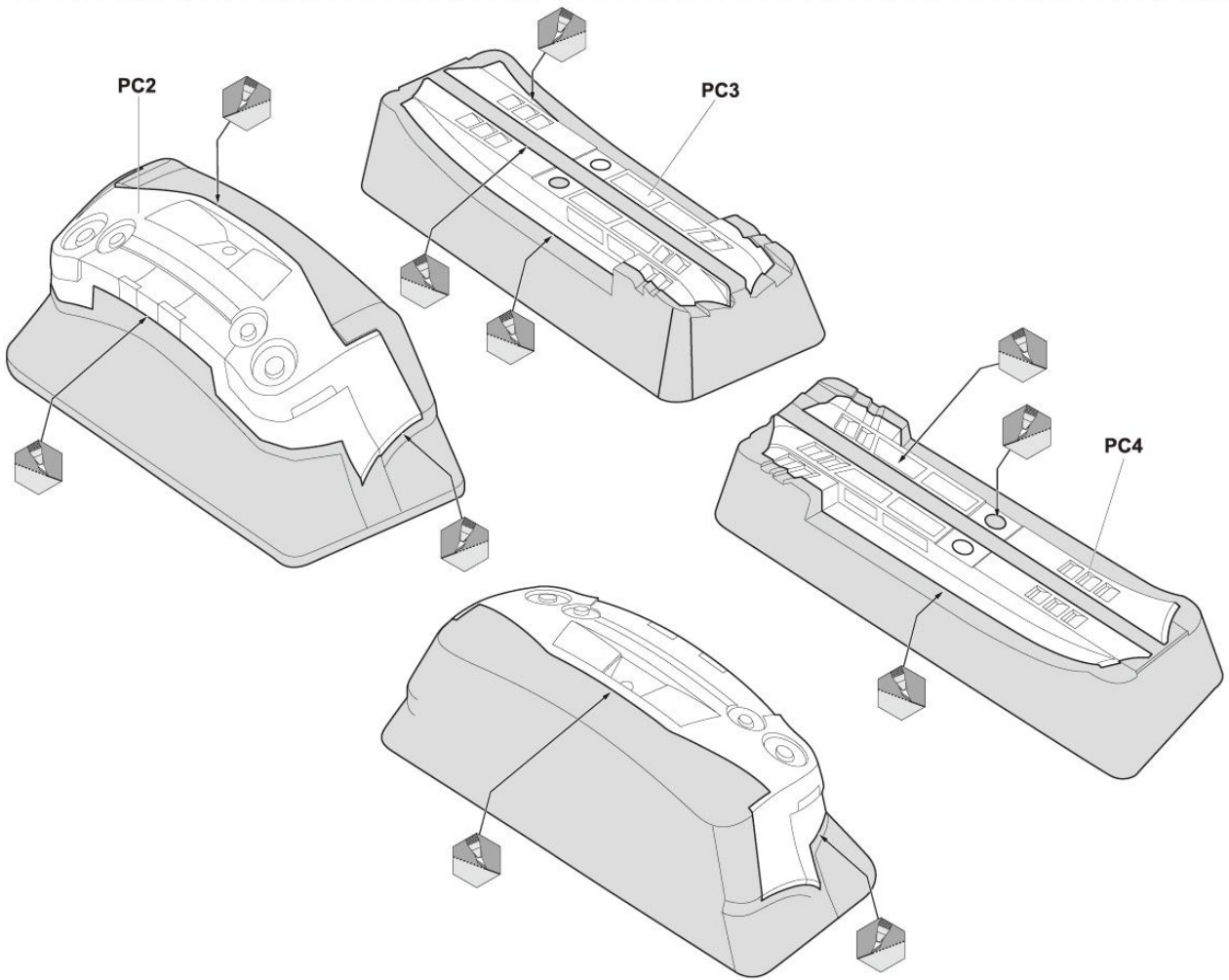
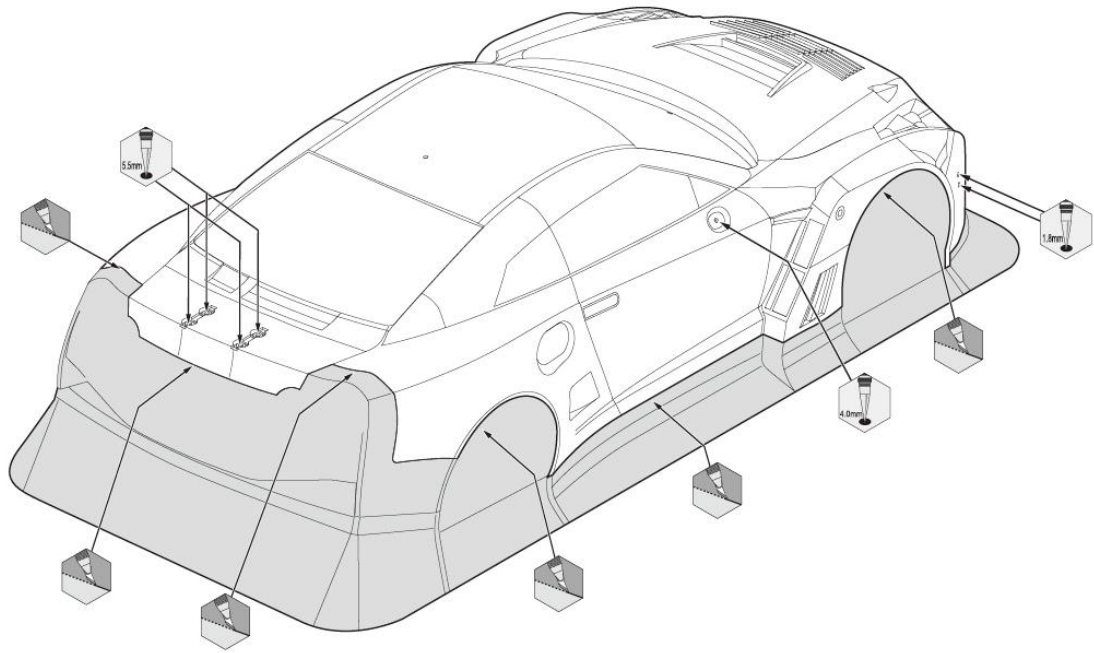


G Stainless steel air intake mesh & Trailer ring (red)



1 Body Shell

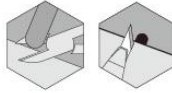
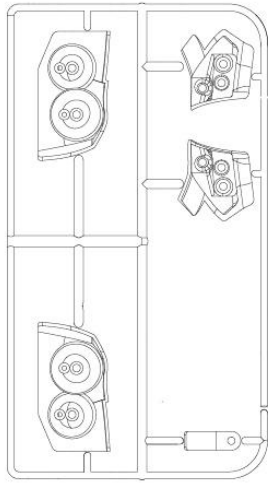




2 Cutting

Cut and smooth rough edge.

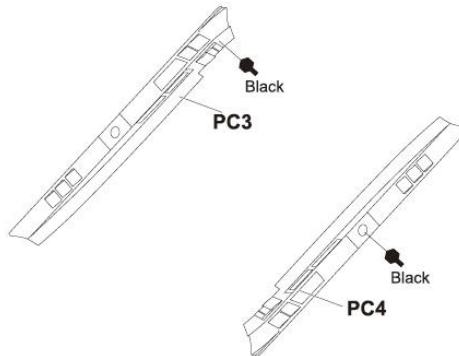
B C



3 Painting

Paint spray color what you prefer on these parts.
It is advised use the recommended spray color as below.

E F



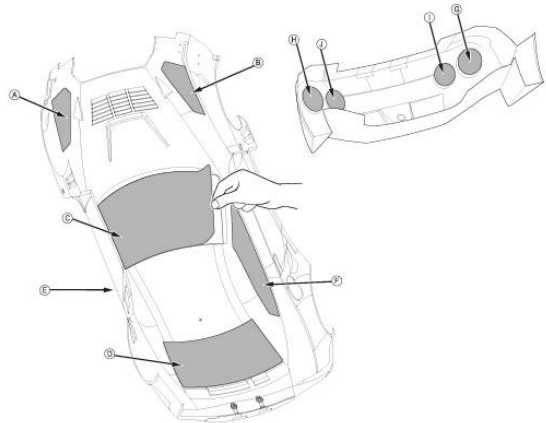
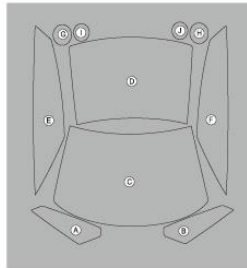
4 Painting

1 Before painting, use a neutral detergent to remove any oil residues and dirt.

D E F



2 Mask the parts from inside.

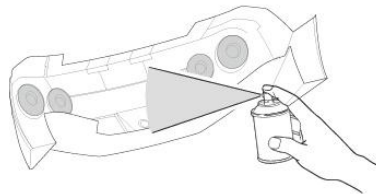
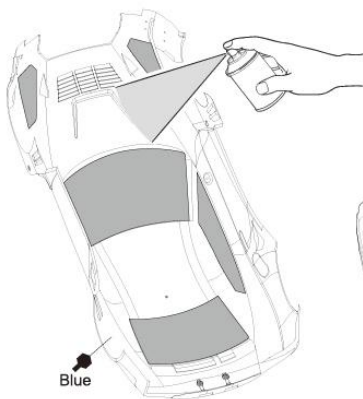


3 Paint spray color from the inside.

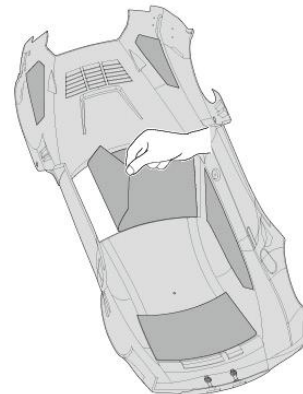
C D E F



PC1: Paint blue spray color first, remove the window mask **C**, and then paint silver spray color.



4 After painting, remove the protective film from the body shell.



5 Decal

When making the window transparent

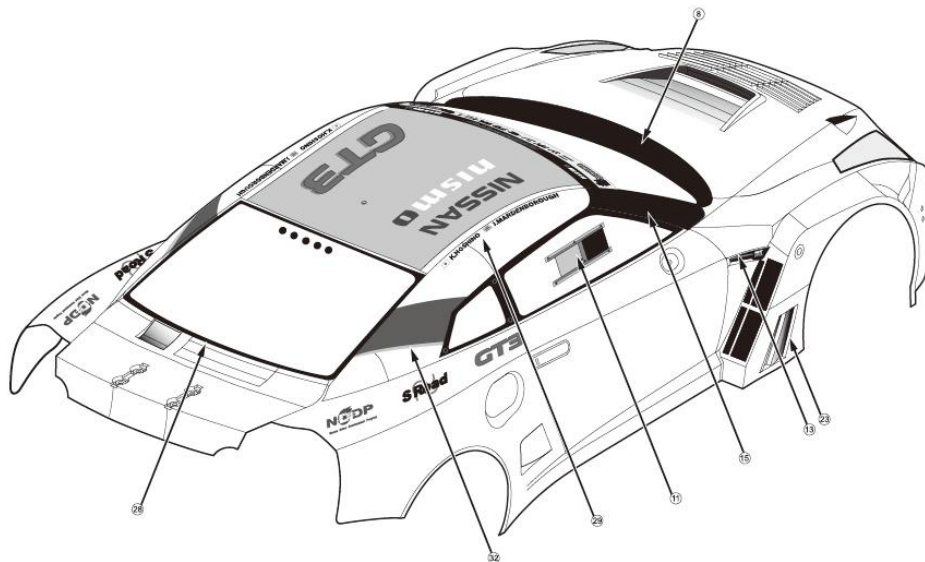
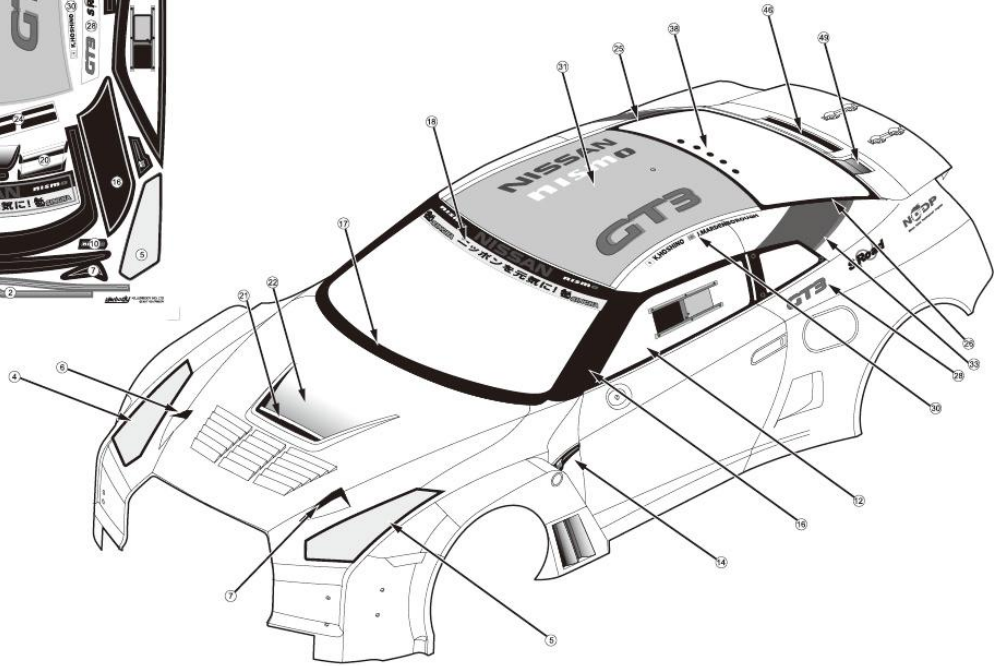
Non Decoration Body

When loading LED lights

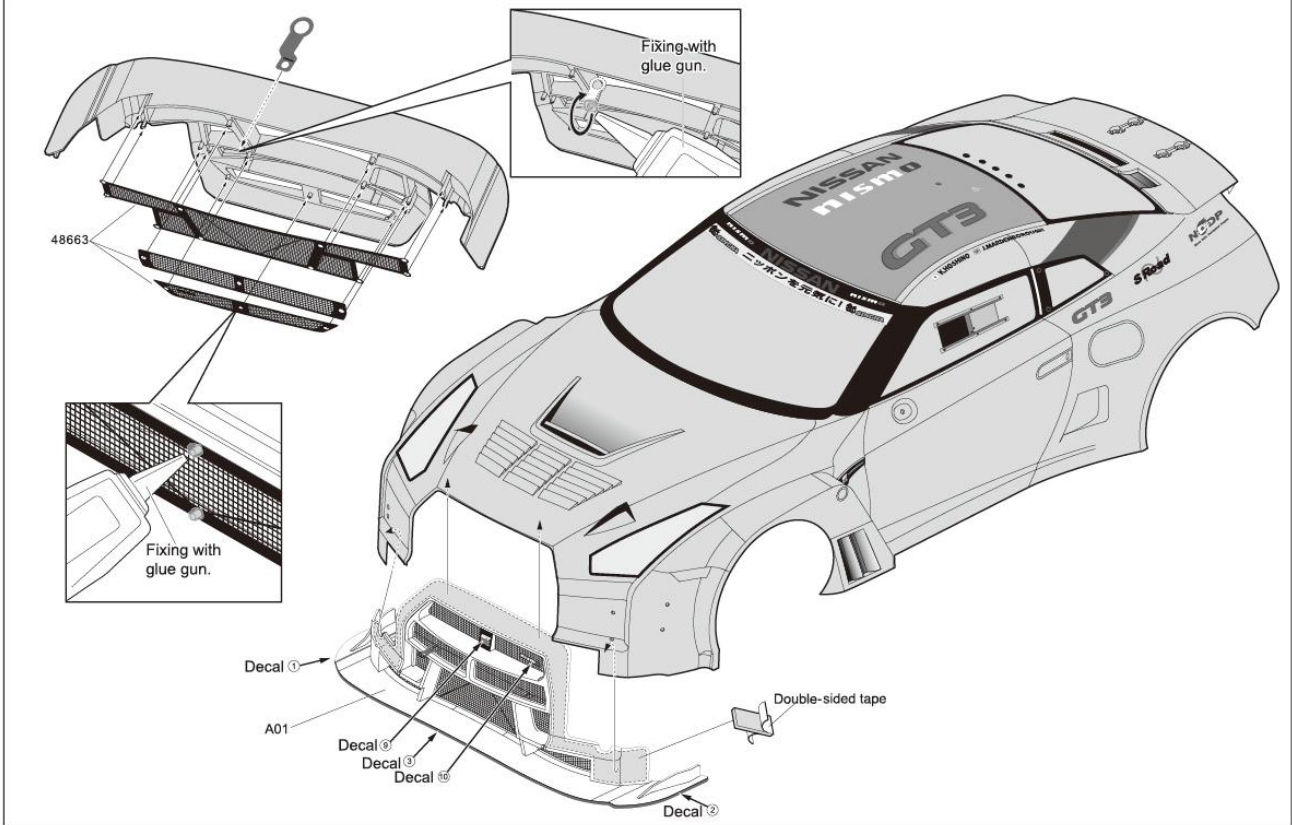
▶ The decal numbers between brackets are only for the opposite side.

When reproducing the light by decal

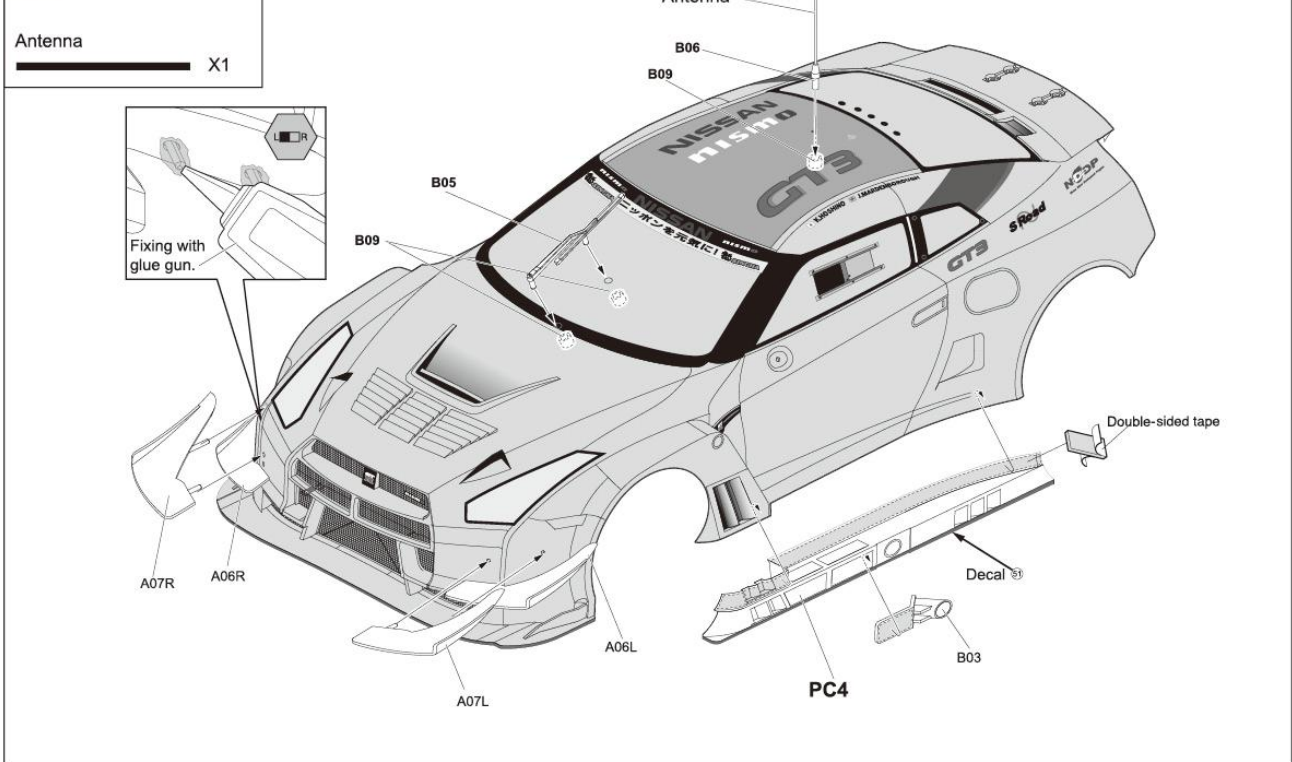
▶ Change the decal according to the following contents.



6 Assembling



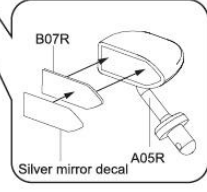
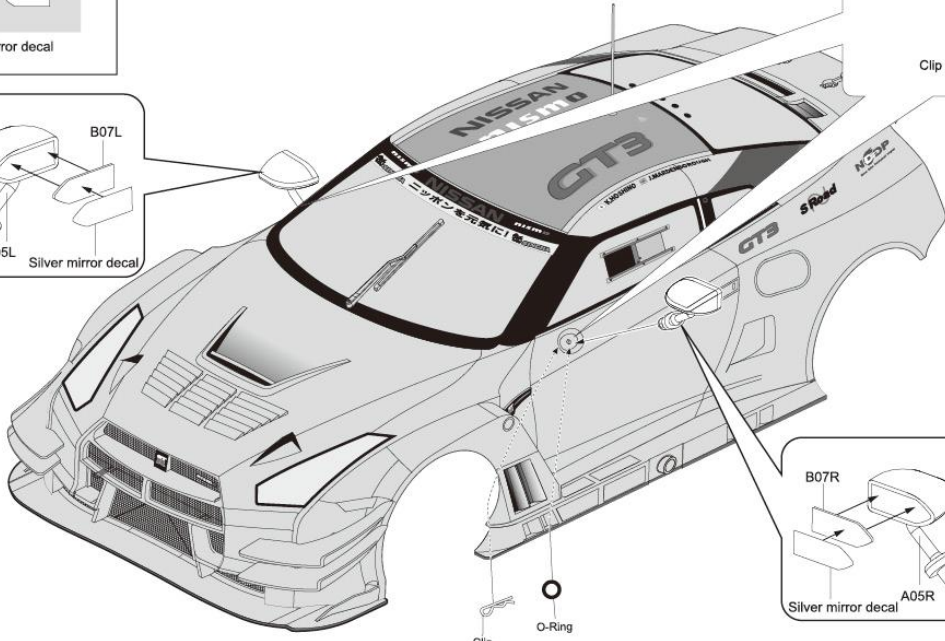
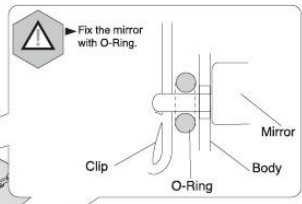
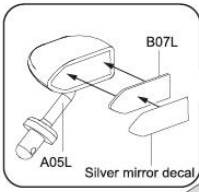
7 Assembling



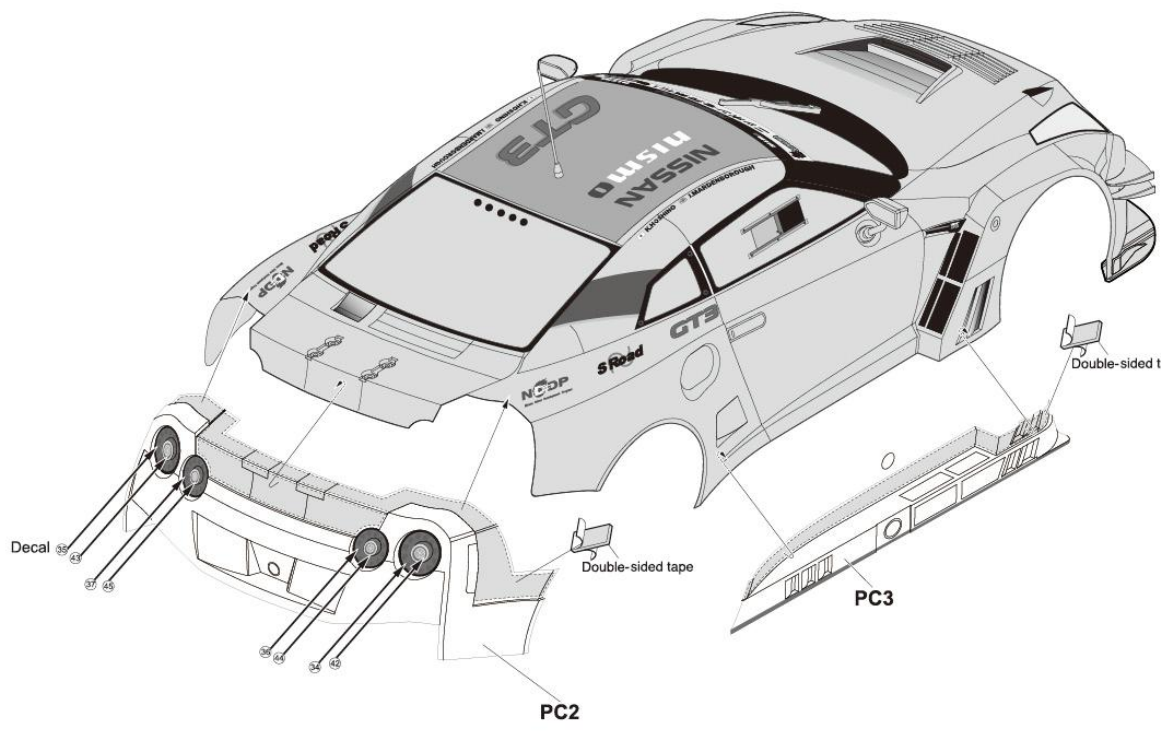
7 Assembling

39 40

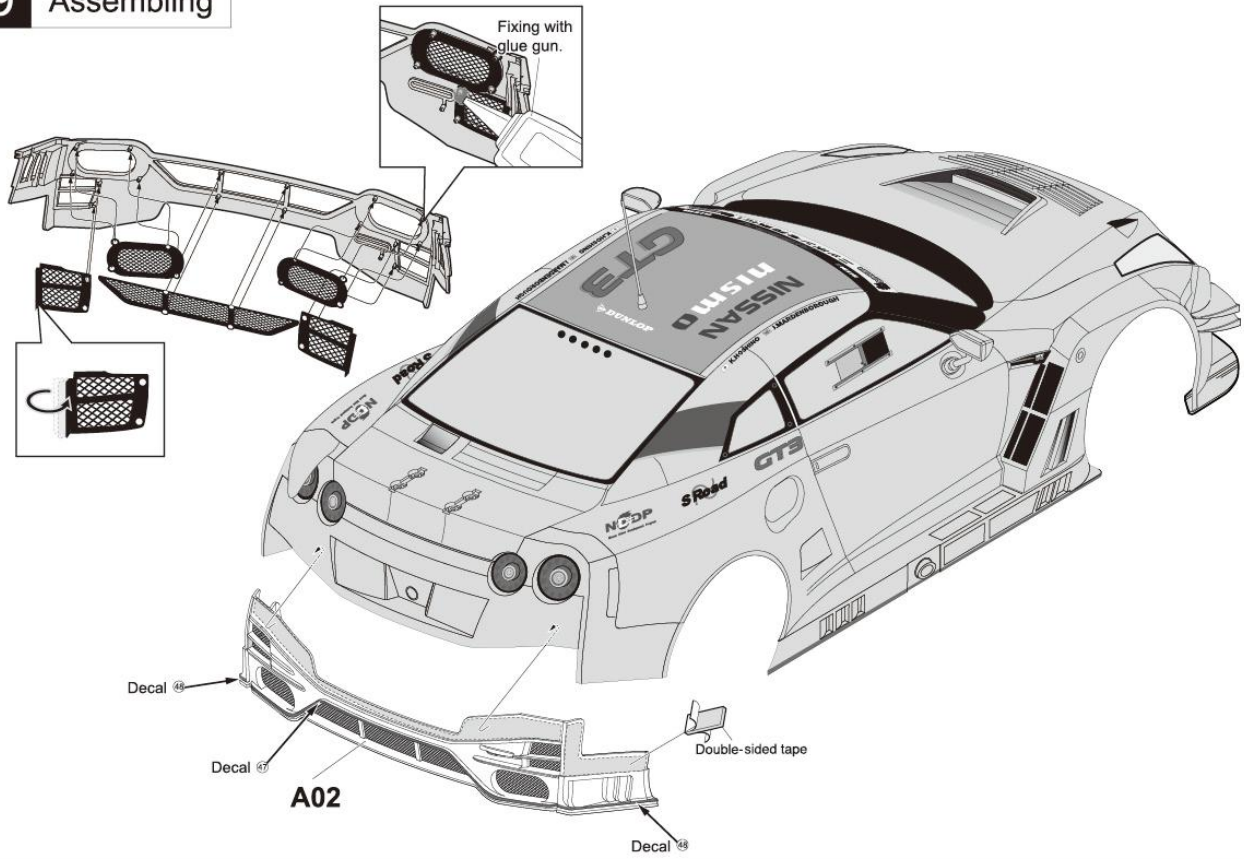
Silver mirror decal



8 Assembling

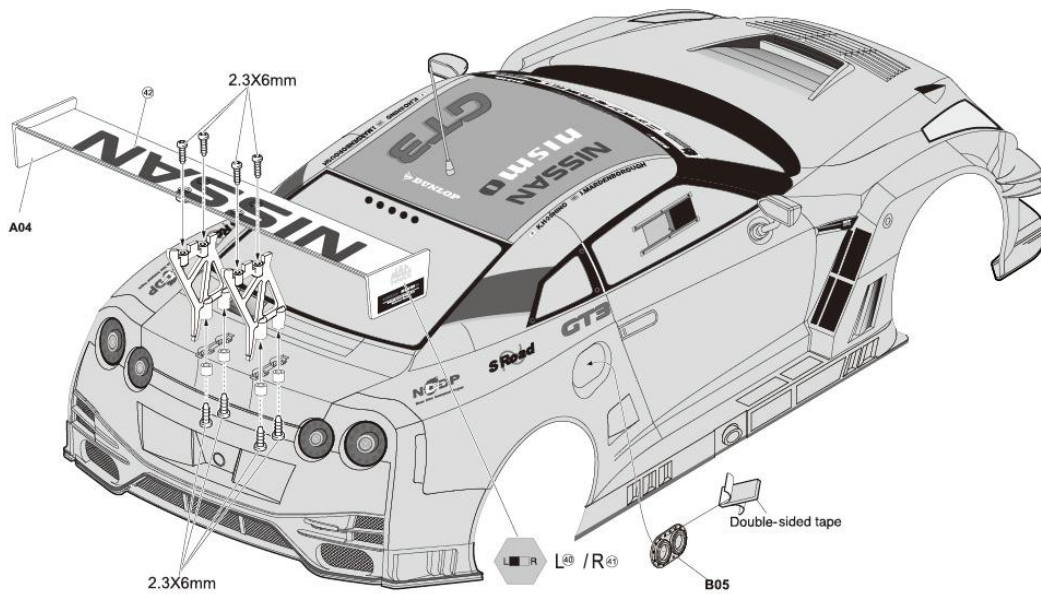


9 Assembling



10 Assembling

Screw 2.3X6mm
 X8

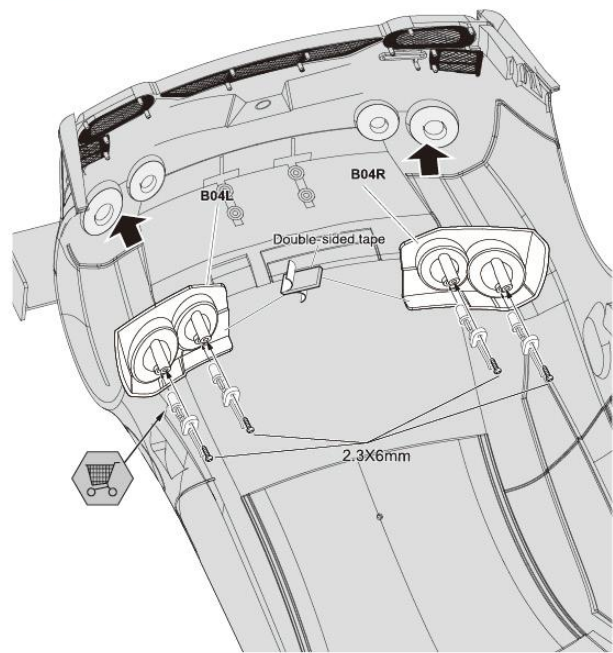
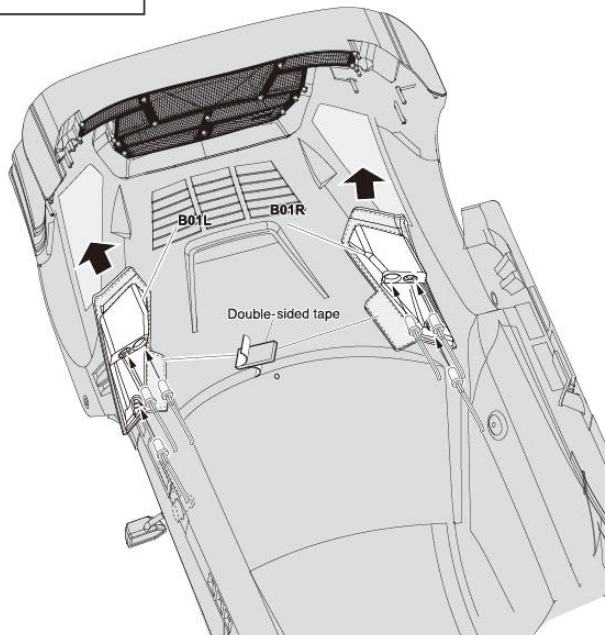


11 Assembling

NO.48766 LED Unit Set w/Control Box 11 LEDS (3mm)

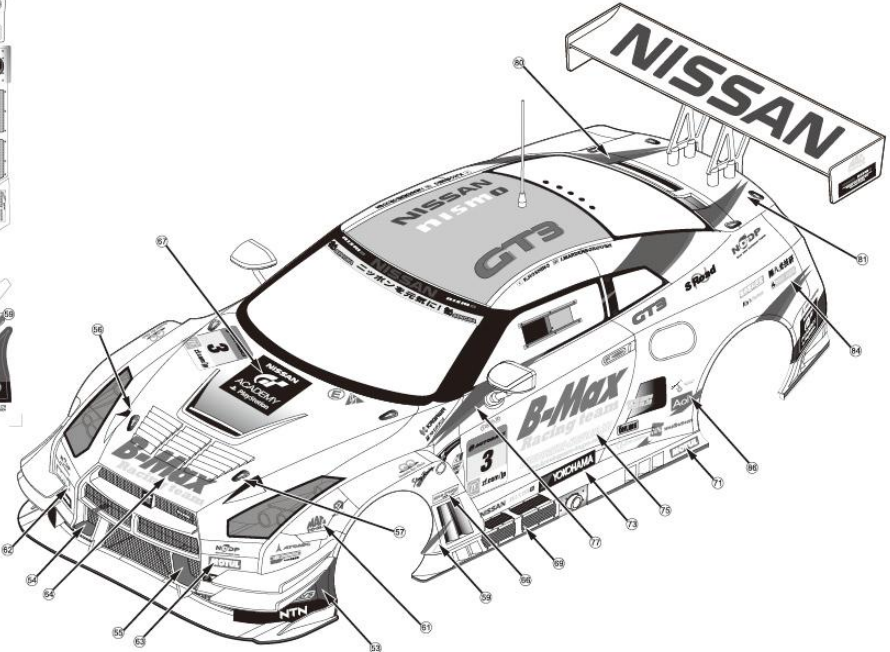
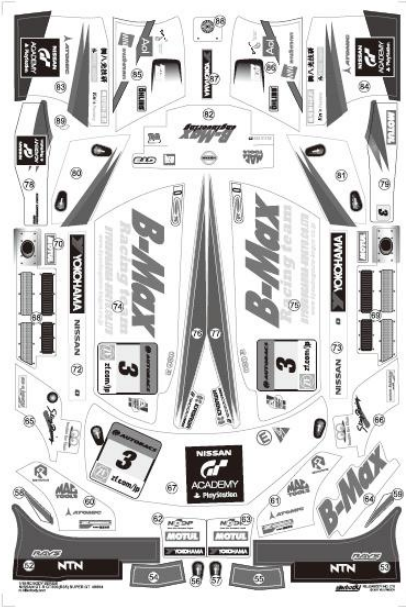
- LED stopper
- Tapping screw 2.3X6mm

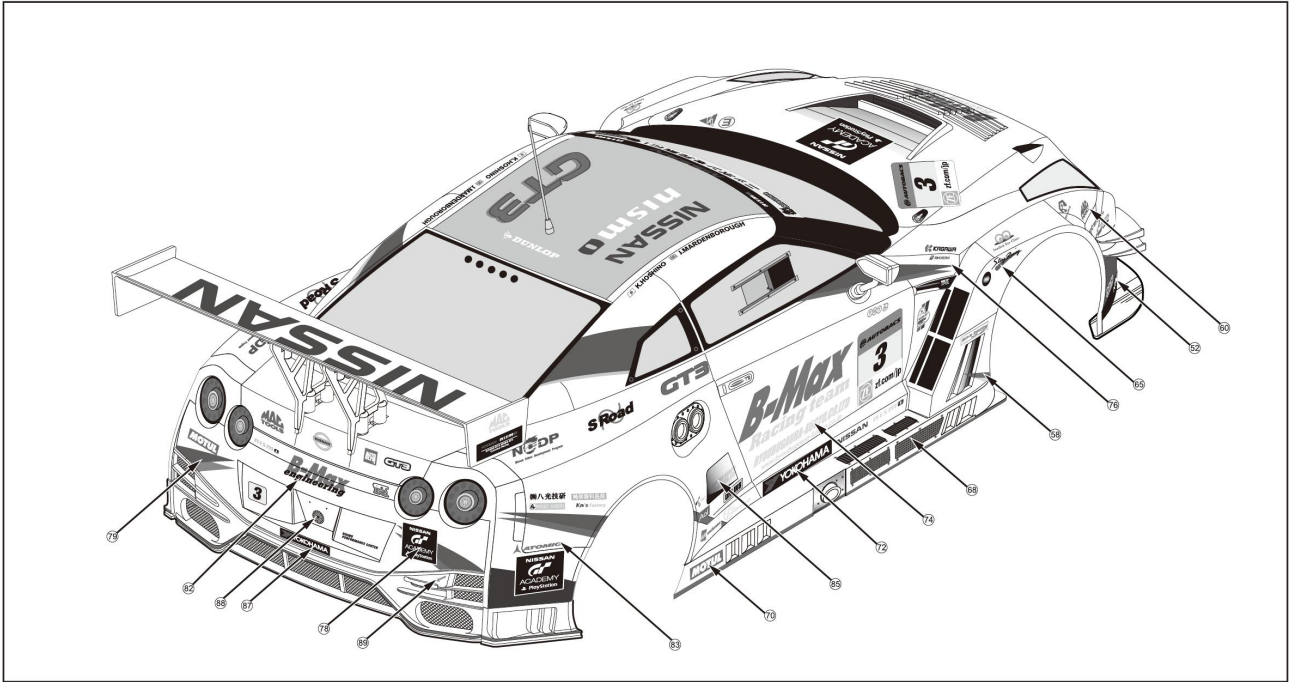
<Front> <Rear>



12 Decal

NO.48759 Racing Decal Sheet



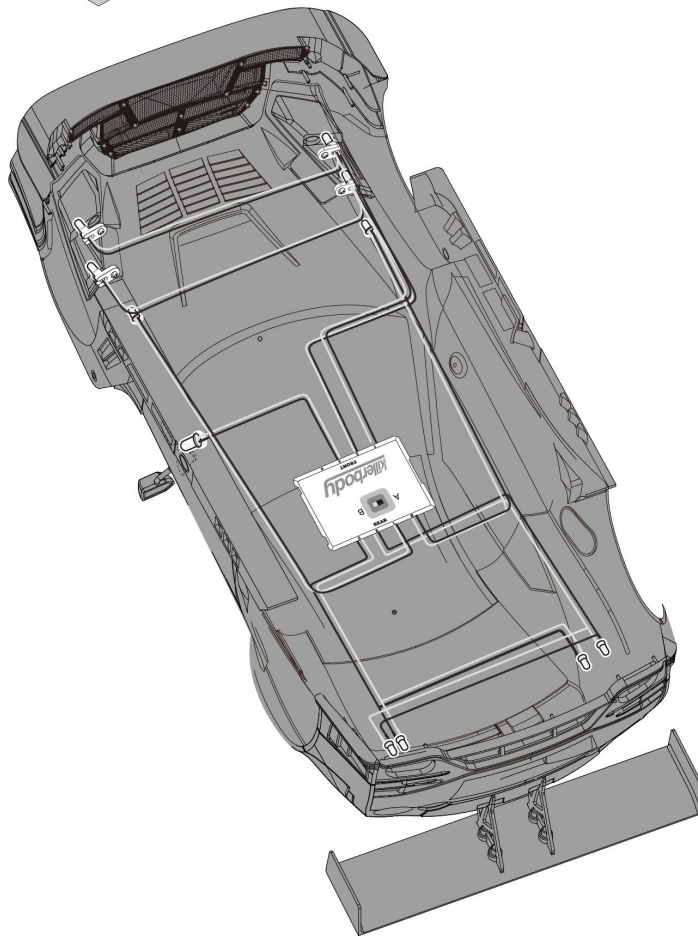


13 Wires Distribution



NO.48766 LED Unit Set w/Control Box 11 LEDs (3mm)

- Led1 (Yellow lights:3mm)
 X2
- Led2 (White lights:3mm)
 X4
- Led3 (Red lights:3mm)
 X4
- Led4 (Blue lights:3mm)
 X1



14 Finished



► For safety reasons, always fit the body shell when running your car.

