

Motul Autech GT-R (2016) NISMO (R35)  
**BODY SHELL**  
Official Licensed Product  
NO.48754

**killerbody™**  
1/10 RC PLANNING INSTRUCTION SHEET

This body can be used with 1/10 electric touring car chassis (Long Wheelbase: 257mm, Width: 195mm)  
**Before beginning assembly, please read these instructions thoroughly!**

● Symbols used throughout the instruction manual, comprise:



Cut off shaded portion.



5mm  
Drill holes with  
the specified diameter.



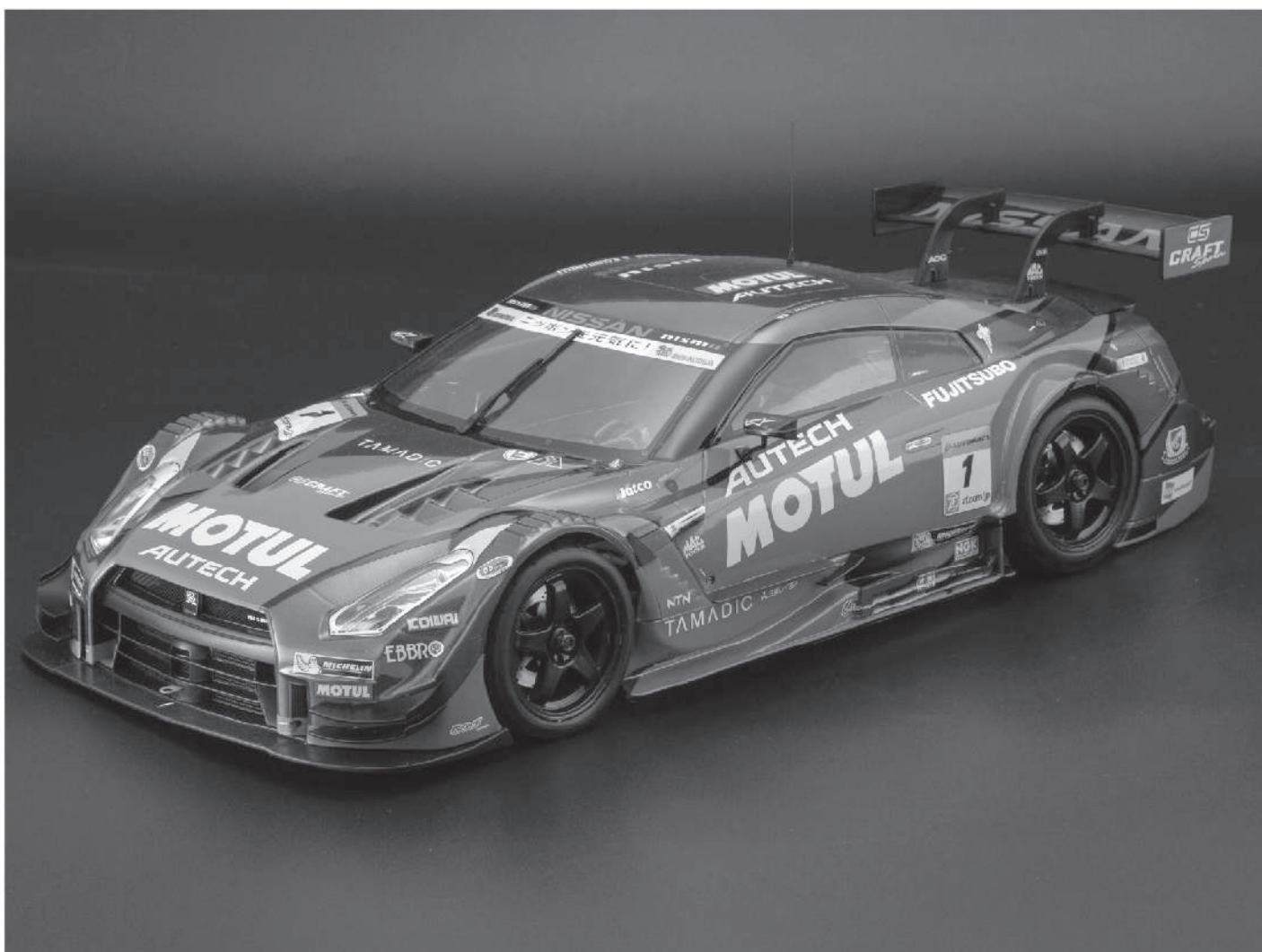
Pay close attention here!



Must be purchased  
separately.



Assemble left and right sides  
the same way.



● Before Assembly

Decoration Body

- ▶ In the case of a decoration body, please assemble it according to the contents showed.

When making the window transparent

- ▶ If you want to make the window transparent with a non decoration body, please assemble it according to the contents showed.

Non Decoration Body

- ▶ In the case of non decoration body, please assemble it according to the contents showed.

When loading LED lights

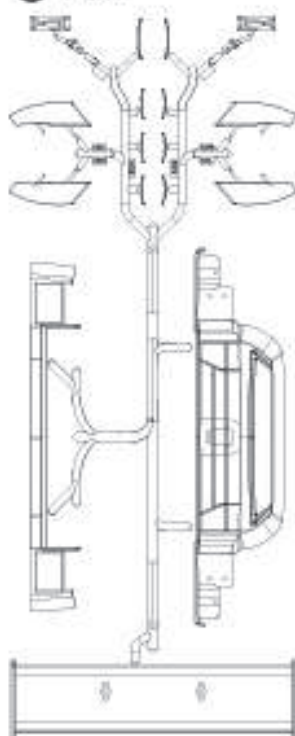
- ▶ If you want to load LED lights with a non decoration body, please assemble it according to the contents showed.

## PARTS

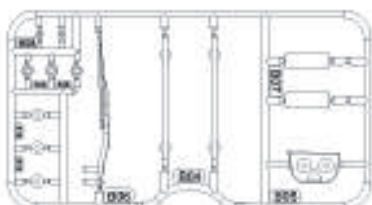
PP part	X1	Body decal sheet	X1	Screw 2.3X6mm	X7
ABS parts	X2	Window masks	X1	LED stopper	X7
PC parts	X2	Silver mirror decal	X1	Clip	X2
Stainless steel air intake mesh	X1	Antenna	X1	O-Ring	X2
Trailer ring (red)	X1				

## PLASTIC PARTS

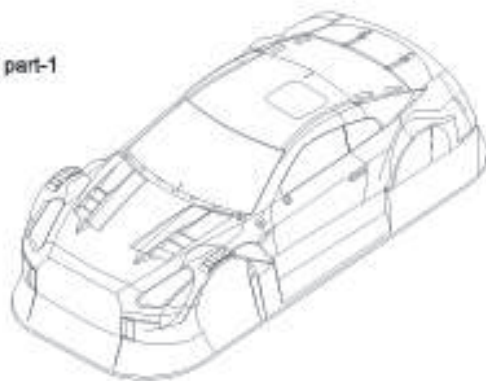
**A** PP part



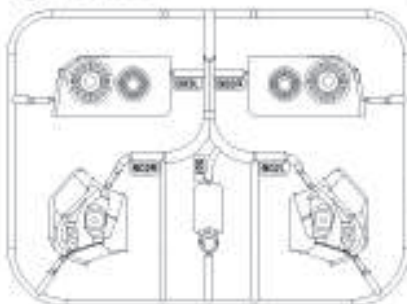
**B** ABS part-1



**D** PC part-1



**C** ABS part-2



**E** PC part-2

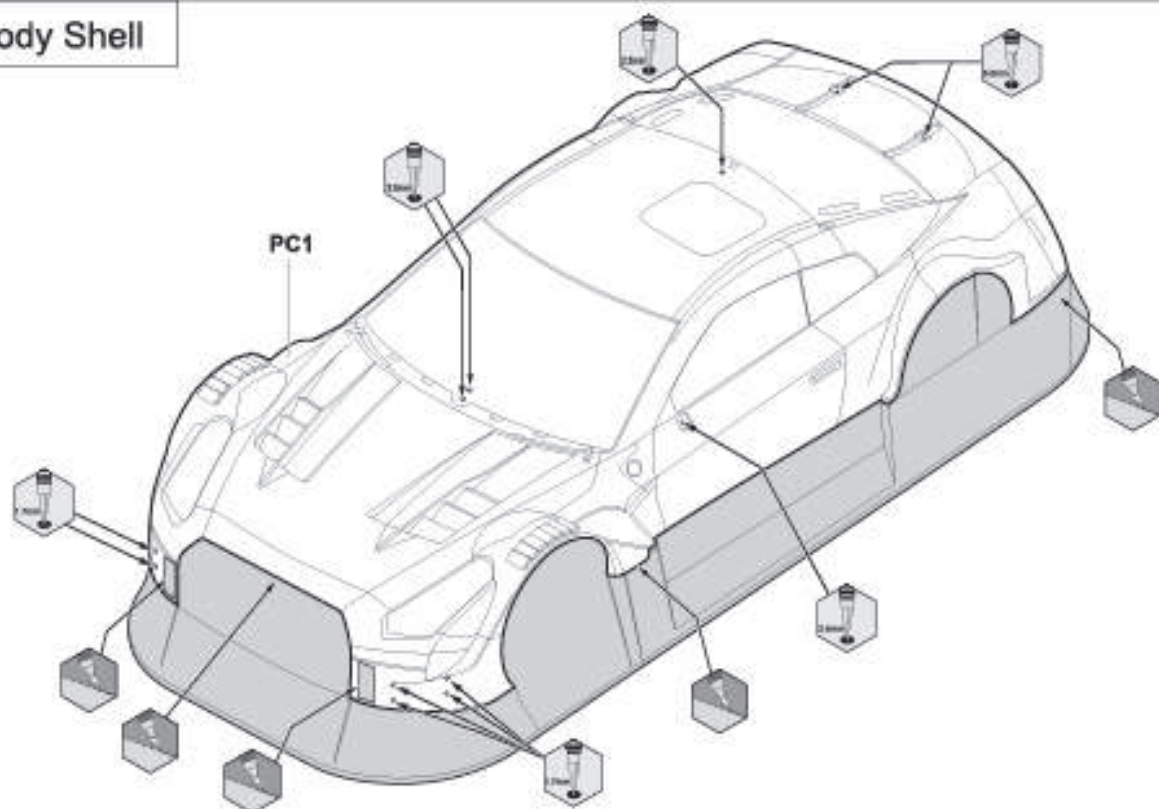


**C** Stainless steel air intake mesh & Trailer ring (Black)



**G01**  
Trailer ring (Red)  
Antenna

## 1 Body Shell



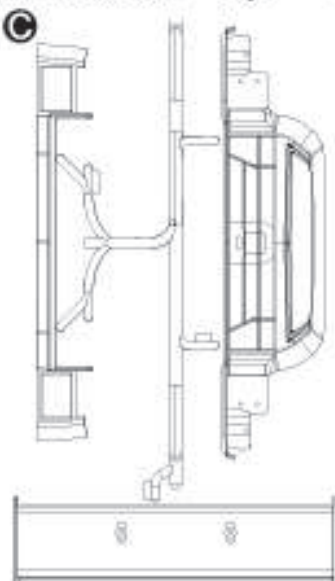




## 2 Cutting

Cut and smooth rough edge.

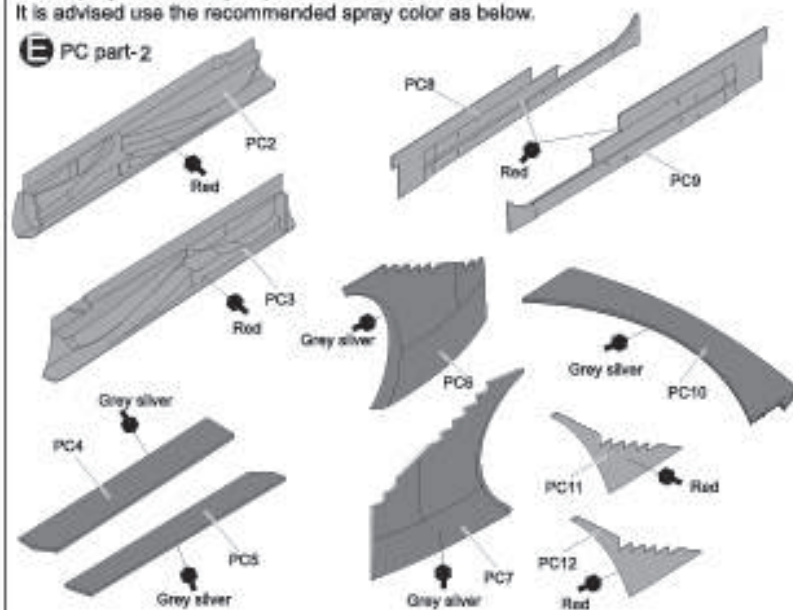
**A B C**



## 3 Painting

Paint spray color what you prefer on these parts.  
It is advised use the recommended spray color as below.

**E** PC part-2



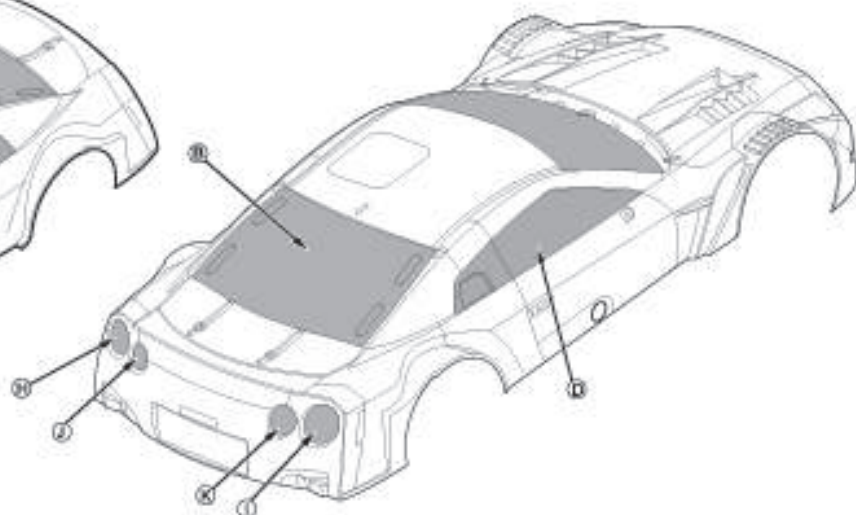
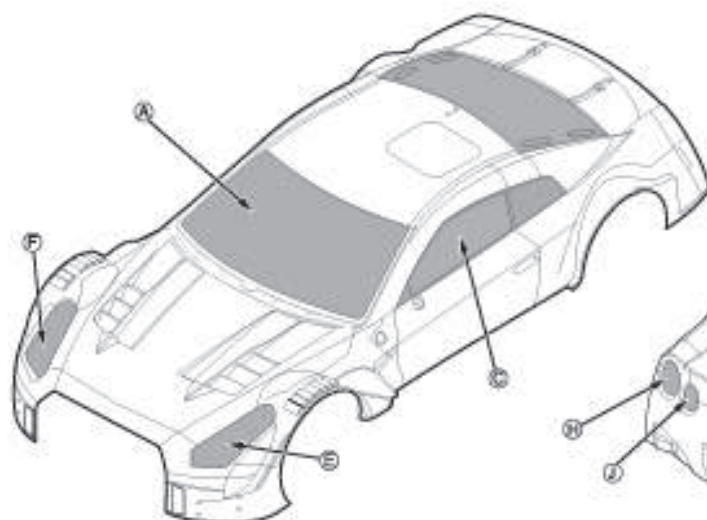
## 4 Painting

**1** Before painting, use a neutral detergent to remove any oil residues and dirt.

**D E**



**2** Mask the parts from inside.



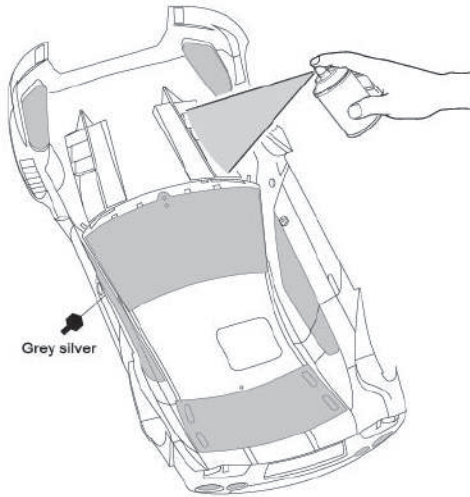


3 Paint spray color from the inside.

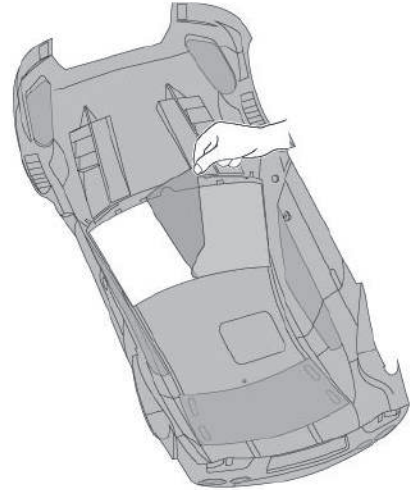
D E



PC1: Paint blue spray color first, remove the window mask (E), and then paint silver spray color.



3 After painting, remove the protective film from the body shell.



## 5 Decal

Non Decoration Body

When making the window transparent

When loading LED lights

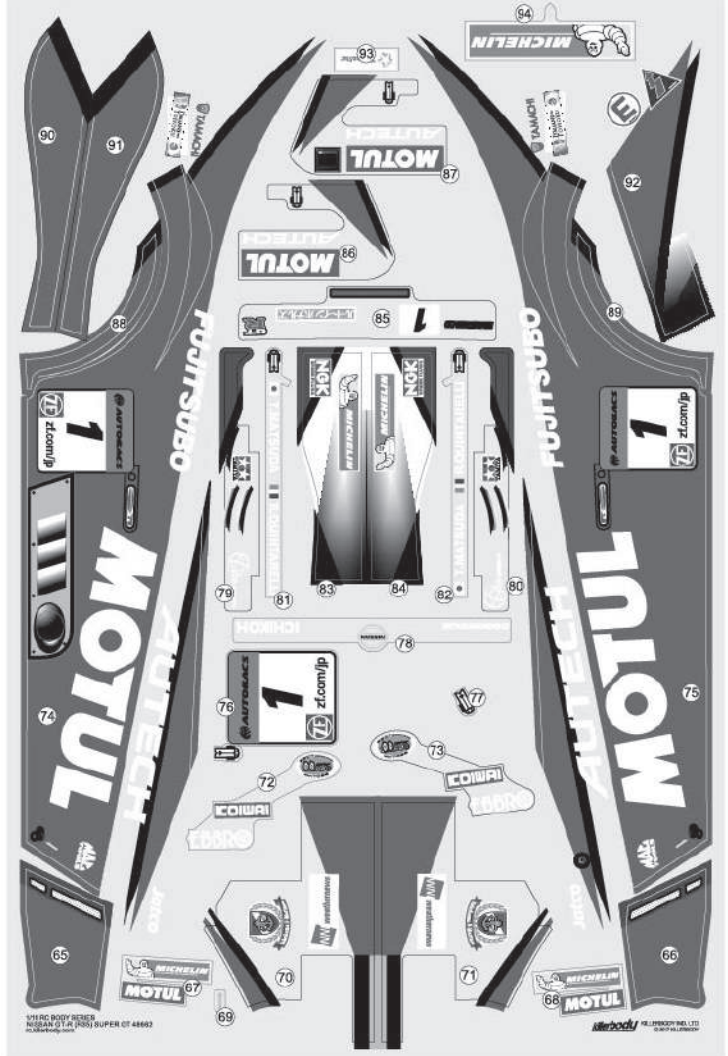
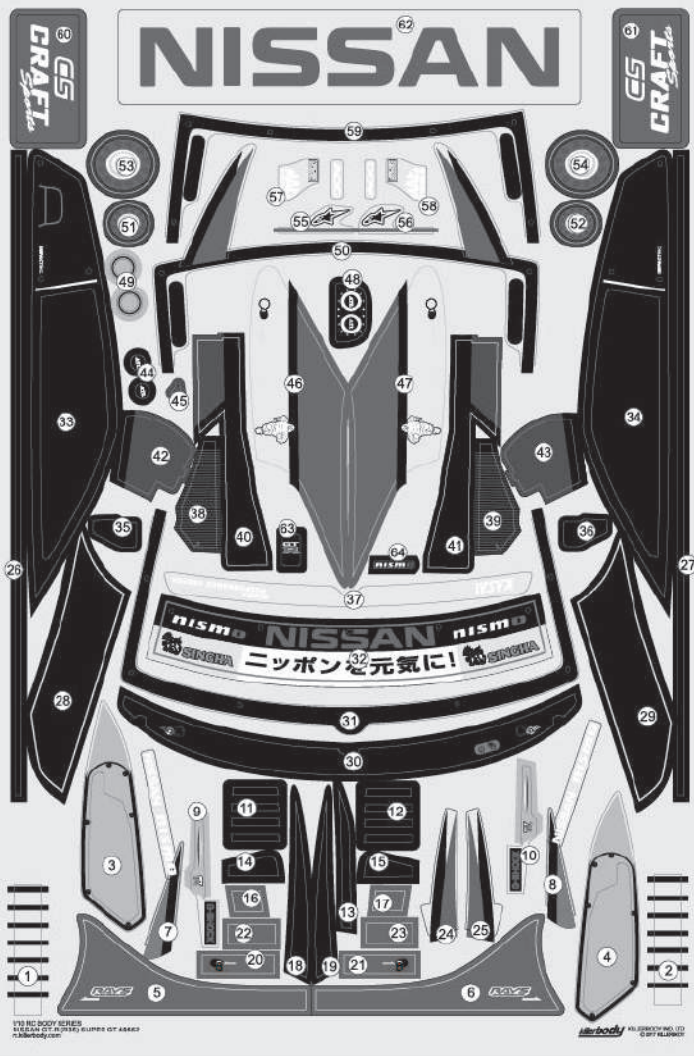
▶ The decal numbers between brackets are only for the opposite side.

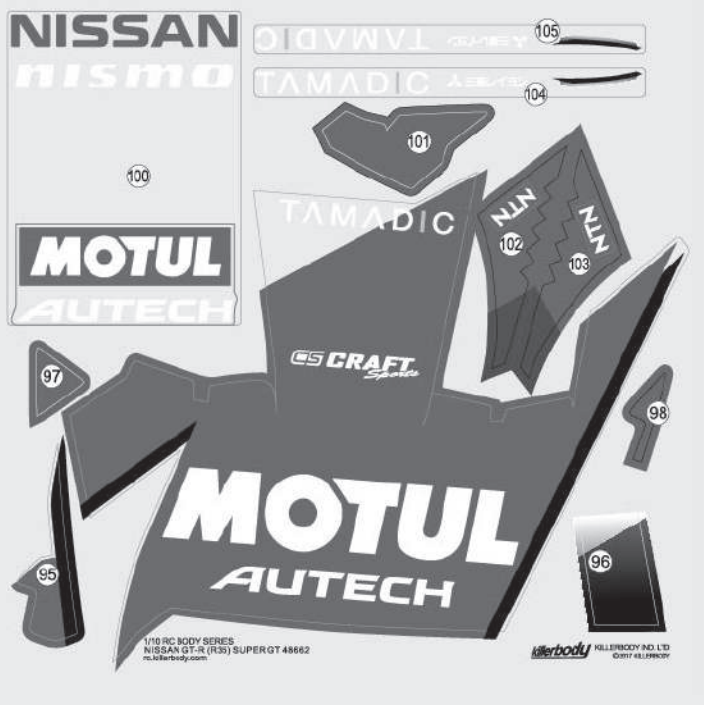
When reproducing the light by decal

▶ Change the decal according to the following contents.

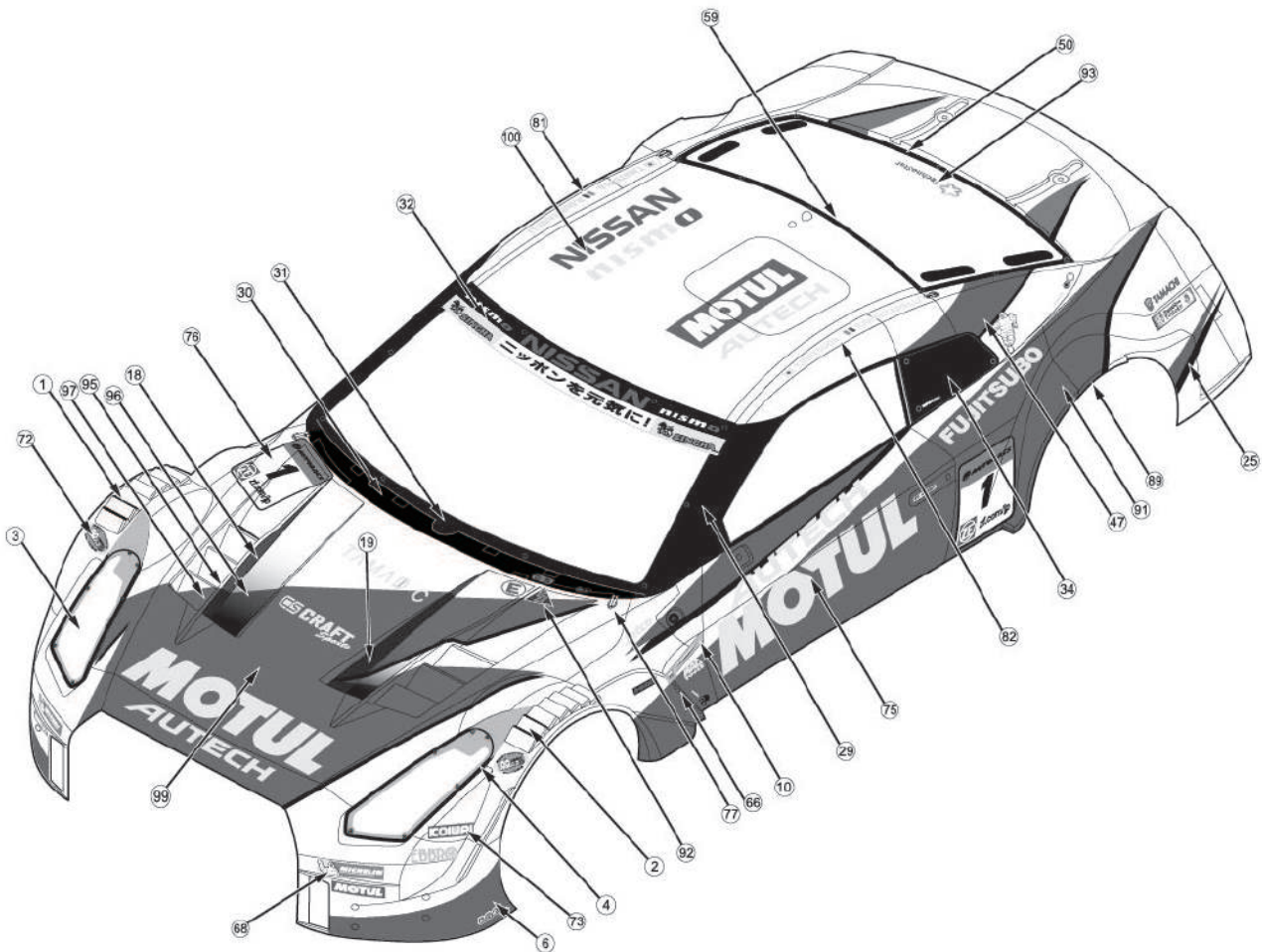


NO.48755 Racing Decal Sheet

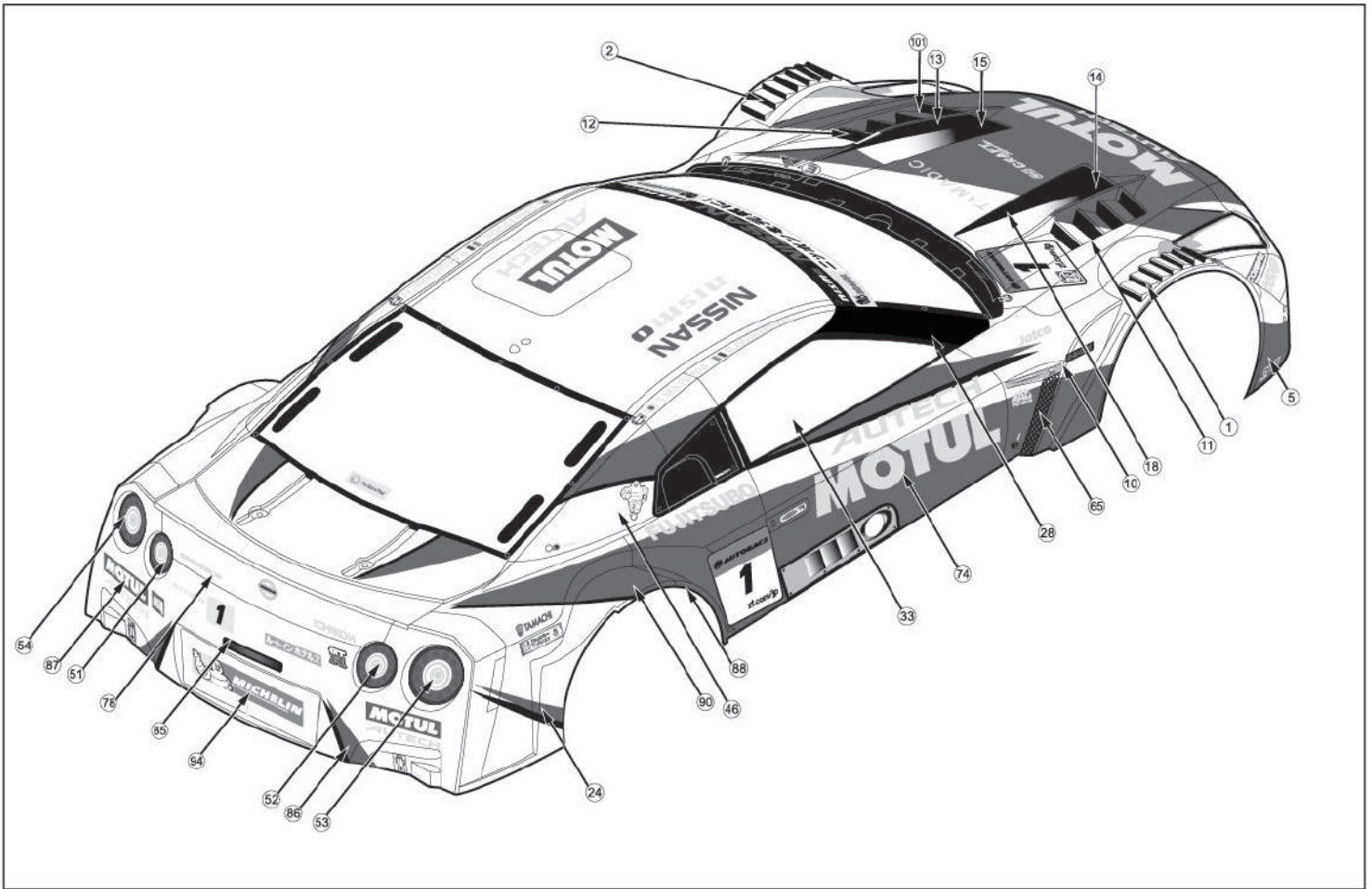




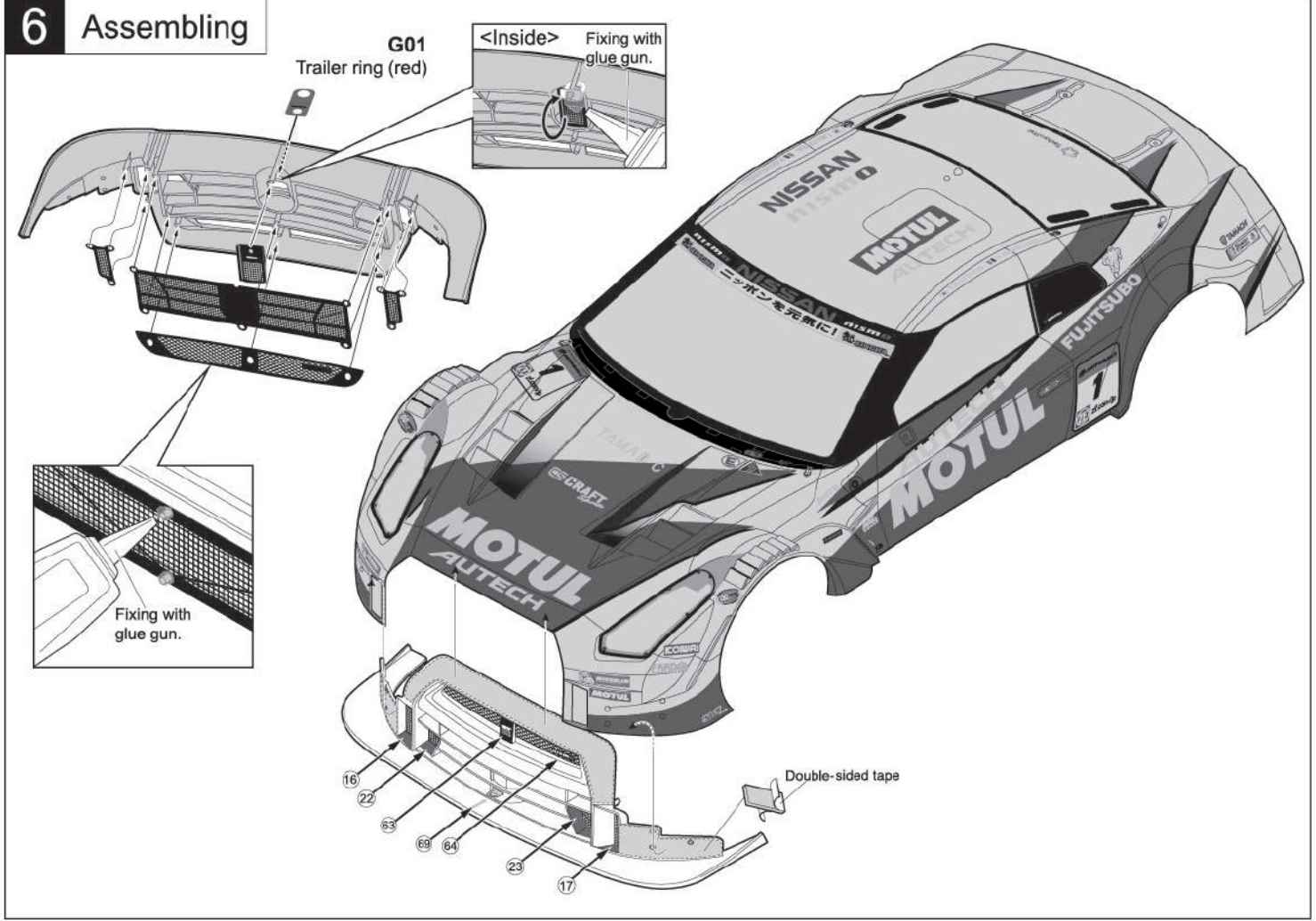
NO.48755 Racing Decal Sheet







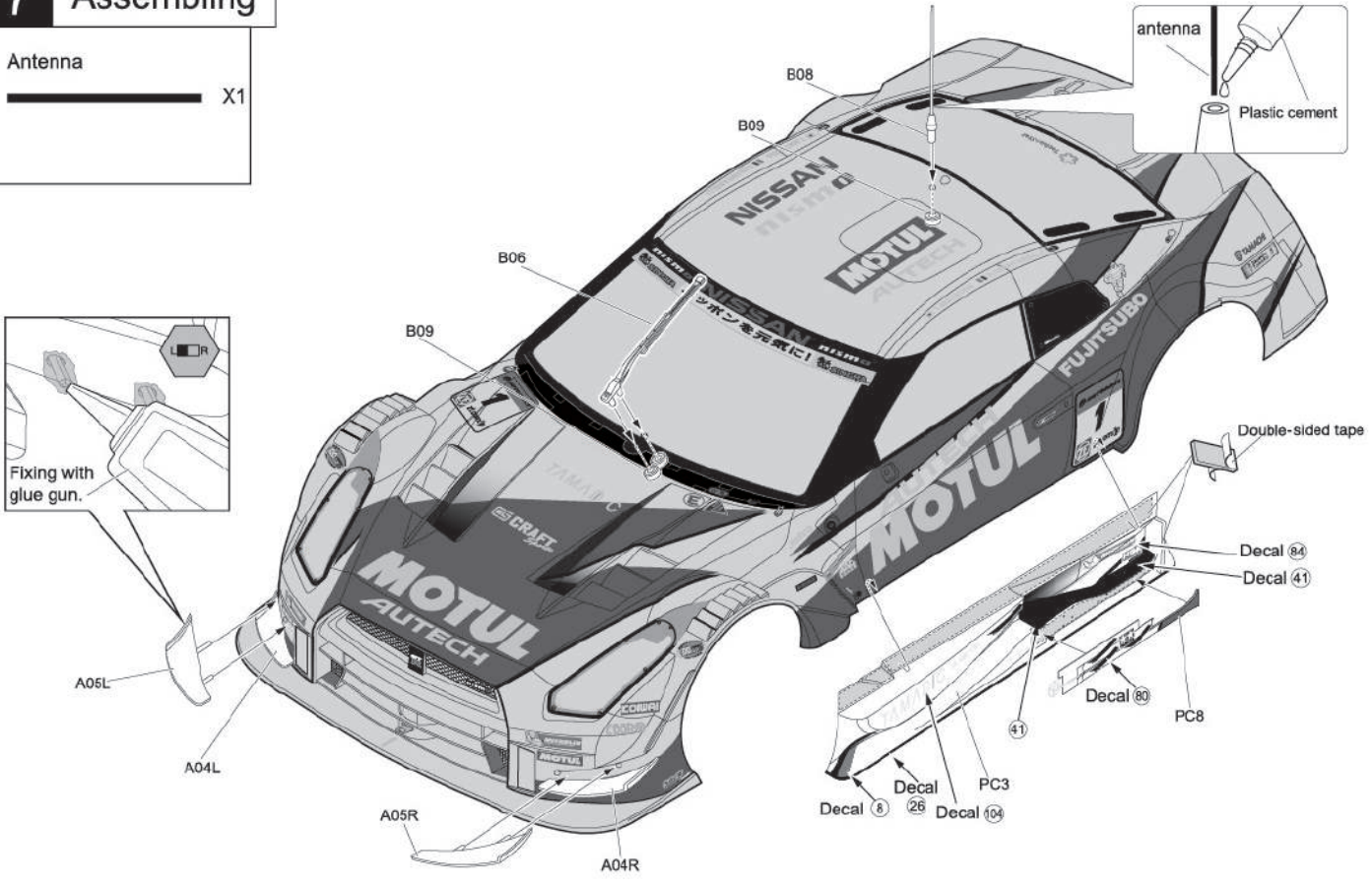
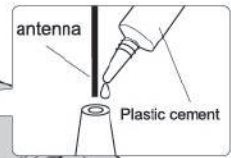
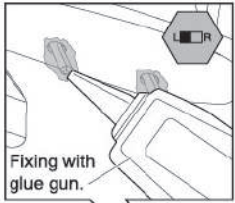
## 6 Assembling



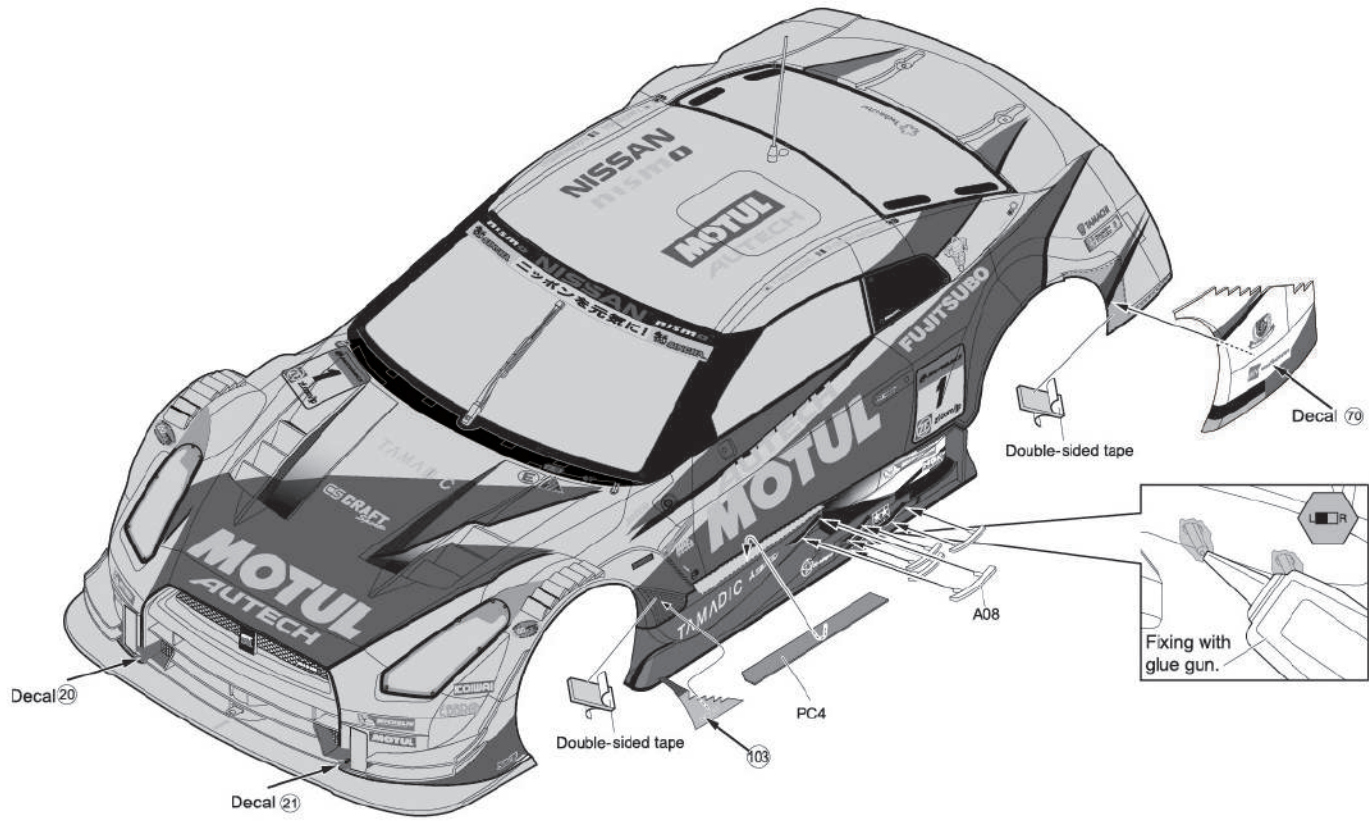
# 7 Assembling

Antenna

— X1

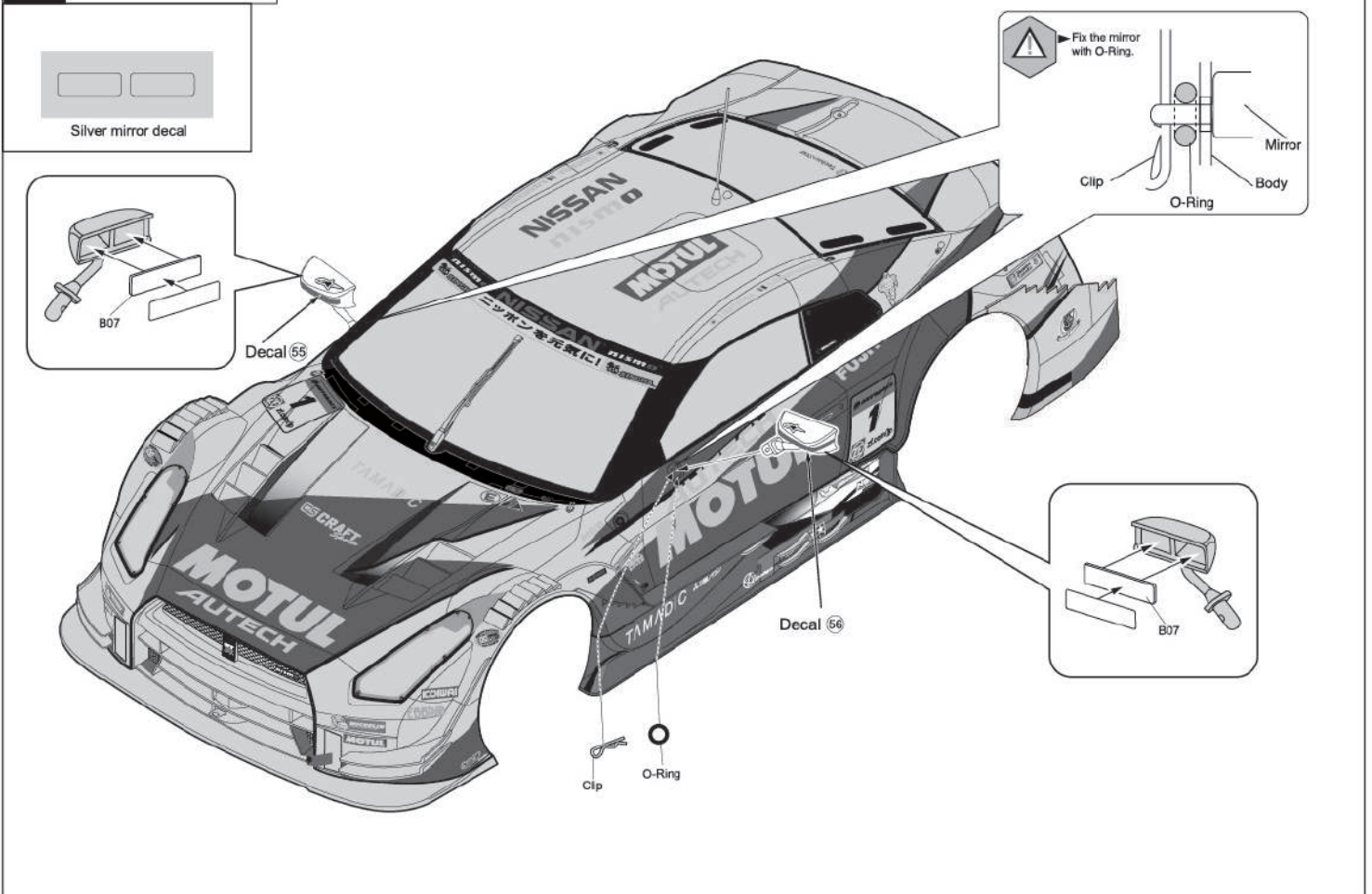


# 8 Assembling

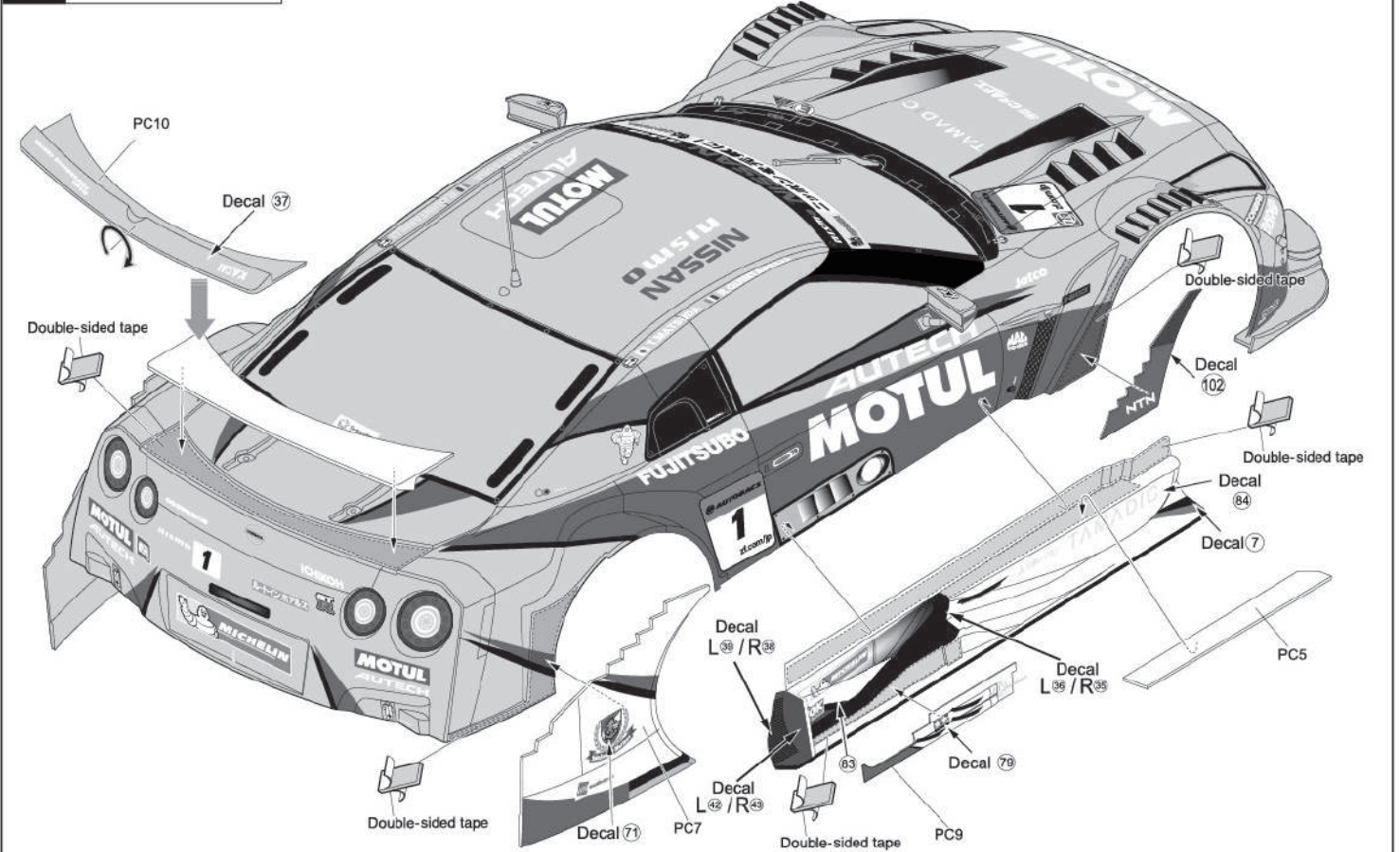




## 9 Assembling

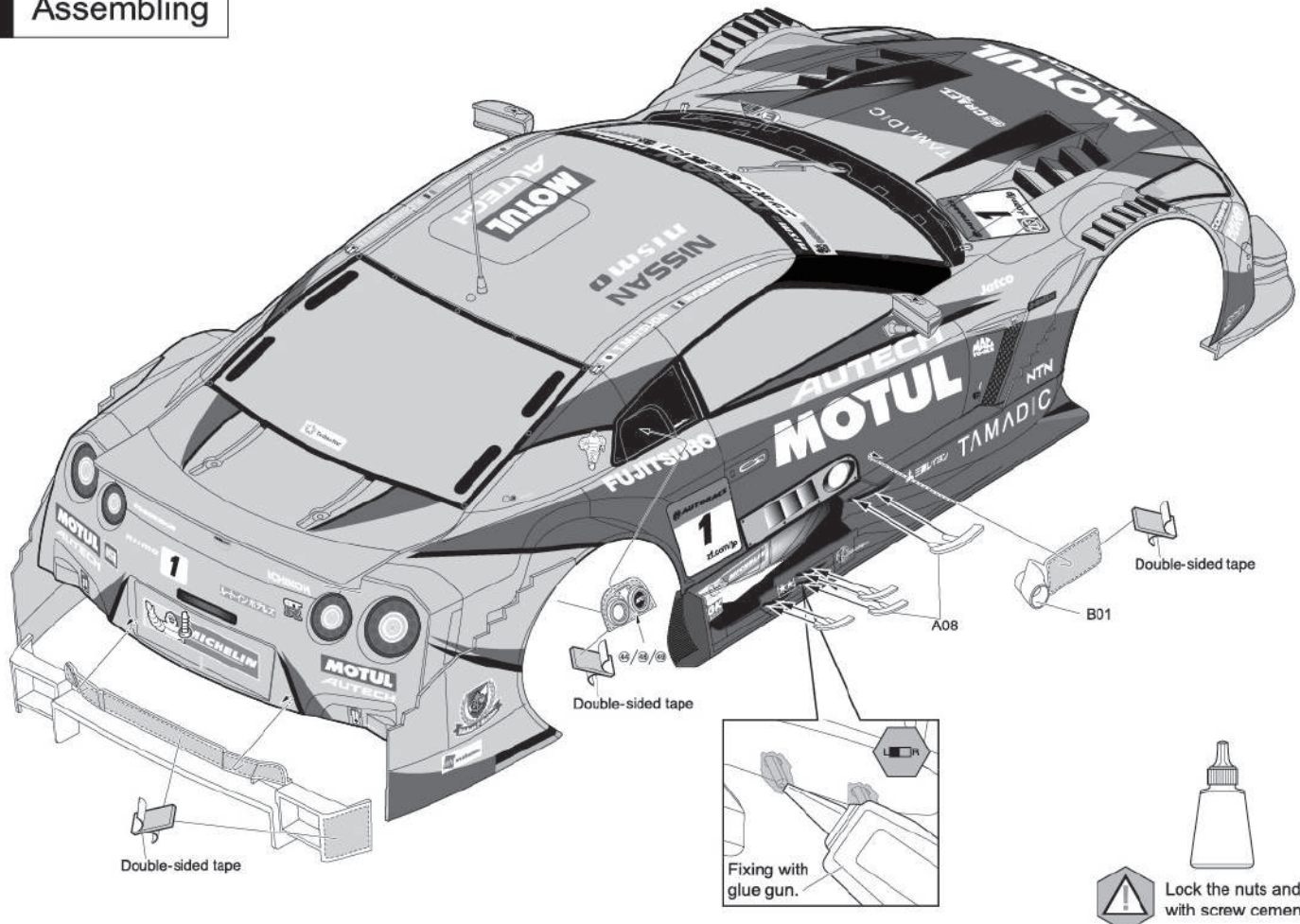


## 10 Assembling



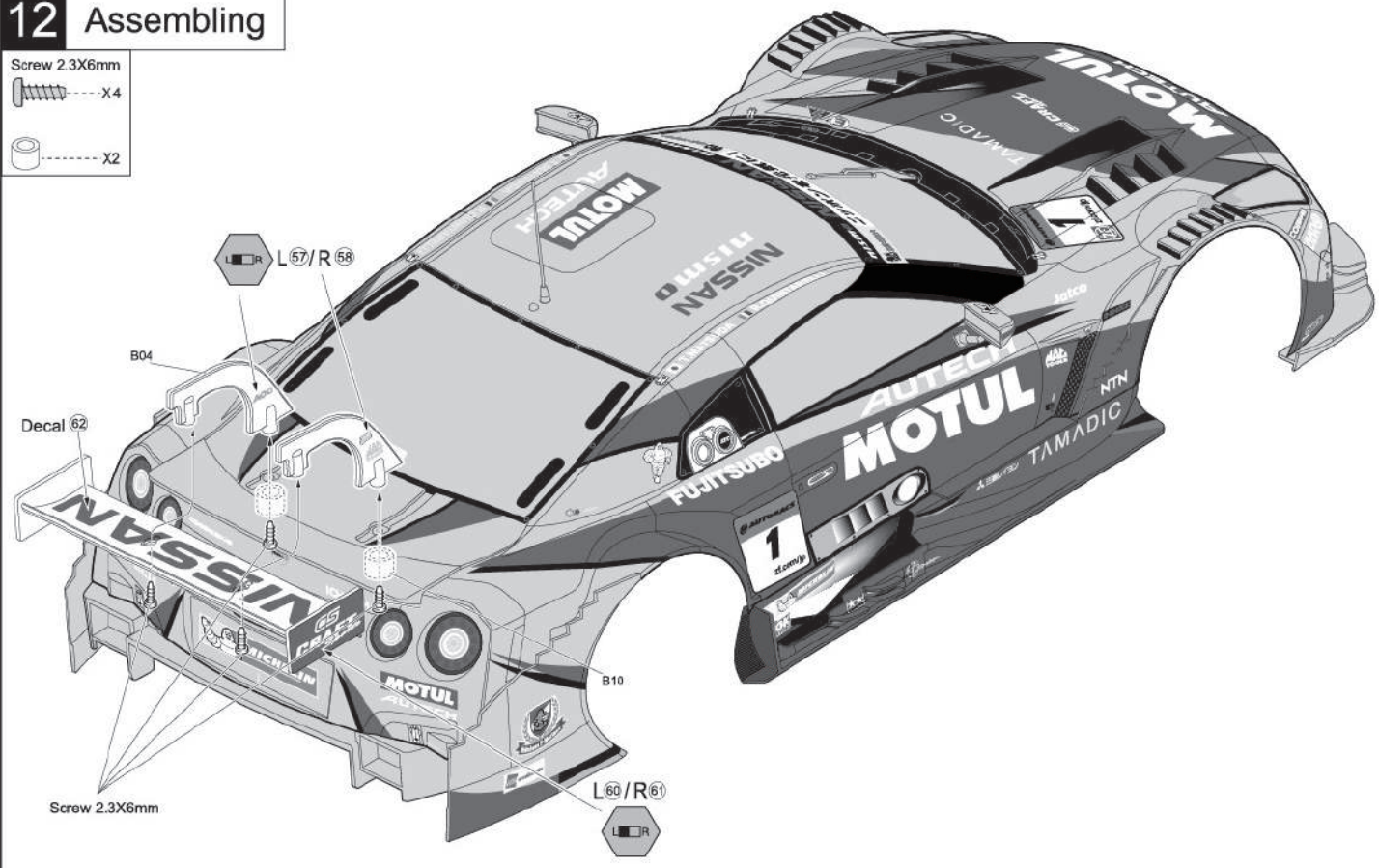


# 11 Assembling





# 12 Assembling

- Screw 2.3X6mm
- X4
- X2



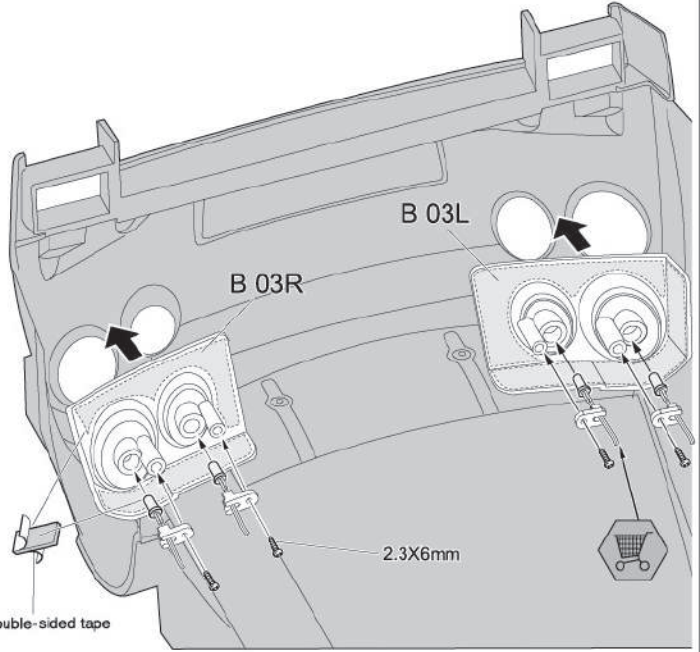
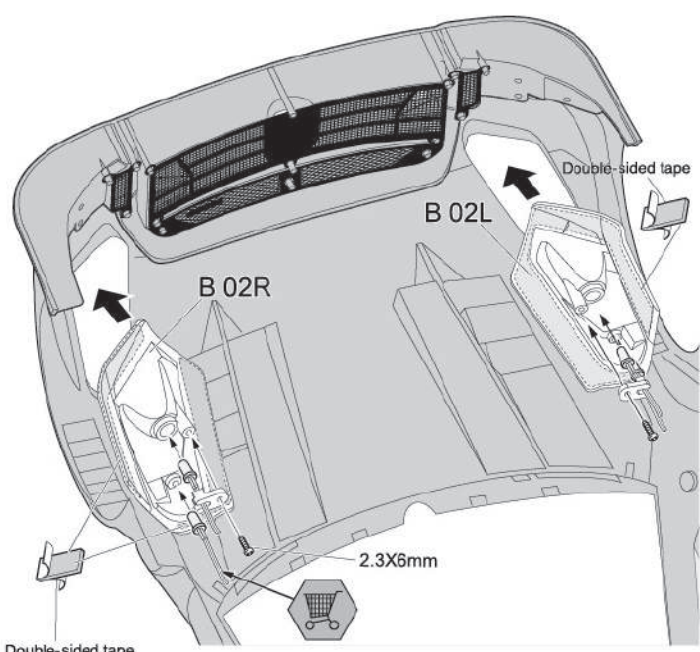


# 13 Assembling

- LED stopper  ..... X7
- Tapping screw 2.3X6mm  ..... X7





<Front>

<Rear>



# 14 Wires Distribution

 NO.48764 LED Unit Set w/Control Box 9 LEDS (3mm:2 LEDS;5mm:7 LEDS)

- LED 1 (white lights:5mm)  ..... X2
- LED 1 (red lights:5mm)  ..... X4
- LED 1 (yellow lights:3mm)  ..... X2
- LED 1 (Blue lights:5mm)  ..... X1

