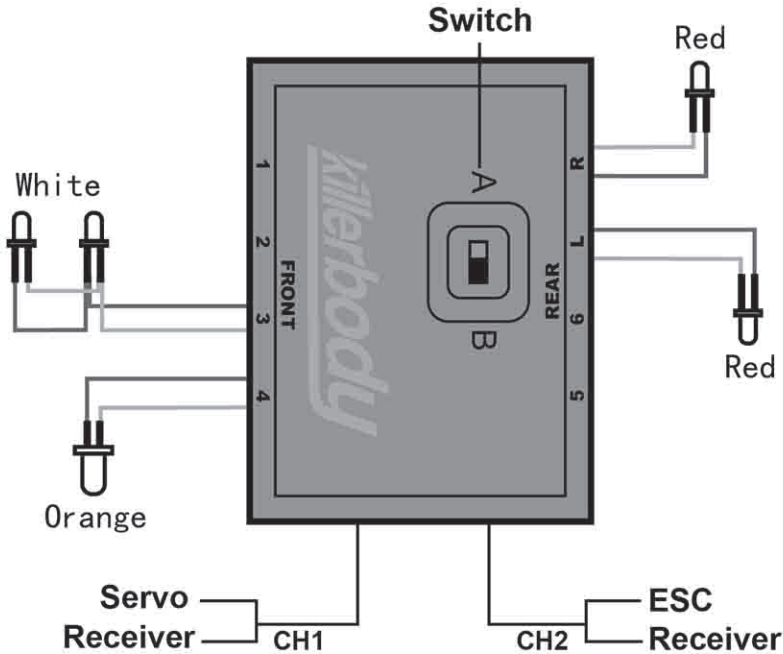


⚠ Not all the Radio Controller System compatible with this LED control box.
Due to limited wire length of the LED lights set, please pre-check proper fixture location
before using 3M double-sided tape to fix it. We suggest to fix the LED lights set at the
nearest area to the signal receiver which on the bottom of the chassis.



Specific Functions:

1. Red indicator light will light up when power connected, LED light control system is power on.
2. System power on and all lights will light up when keeping turning L by remote controller for over 10 seconds.
3. System power on and all lights will light off when keeping turning R by remote controller for over 10 seconds.
4. All lights will flash when stop control for over 10 seconds; all lights will light up dimly when receiving any signals.
5. "A" light mode is normal cars light mode.
6. "B" light mode is keeping flashing mode.
7. Port 1/2/3/4 on the box is for FORWARD.
8. Port 5/6 on the box is for BACKWARD.
9. Port L/R on the box is for TURN L/R.
10. Two sets of Servo & ESC Receiver on right side of the box.

Wires Distribution

LED 1 (white lights: 3mm)

----- 2

LED 2 (red lights: 3mm)

----- 2

LED 3 (orange lights: 5mm)

----- 1

