

# SUBARU BRZ R&D SPORT BODY SHELL

Official Licensed Product

NO. 48736 Clear Body

NO. 48737 Semi-finished Body

# killerbody™

1/10 RC PLANNING INSTRUCTION SHEET

This body can be used with 1/10 electric touring car chassis (Long Wheelbase: 257mm, Width: 195mm)

**Before beginning assembly, please read these instructions thoroughly!**

● Symbols used throughout the instruction manual, comprise:



Cut off shaded portion.



5mm  
Drill holes with  
the specified diameter.



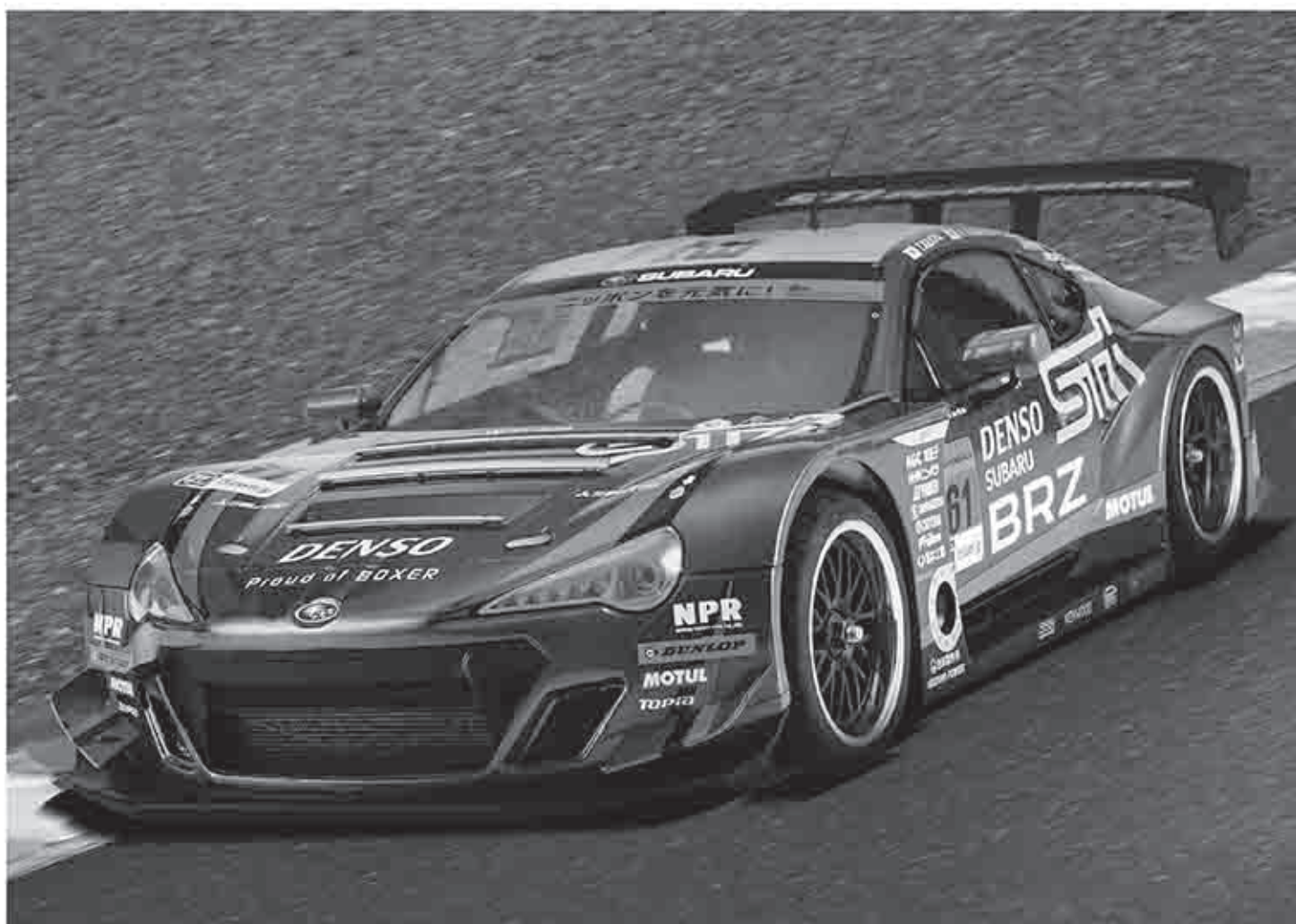
Pay close attention here!



Must be purchased  
separately.



Assemble left and right sides  
the same way.



● Before Assembly

#### Decoration Body

- ▶ In the case of a decoration body, please assemble it according to the contents showed.

#### When making the window transparent

- ▶ If you want to make the window transparent with a non decoration body, please assemble it according to the contents showed.

#### Non Decoration Body

- ▶ In the case of non decoration body, please assemble it according to the contents showed.

#### When loading LED lights

- ▶ If you want to load LED lights with a non decoration body, please assemble it according to the contents showed.

## PARTS

ABS parts ----- X2

PC parts ----- X4

Stainless steel air intake mesh -----X1

Trailer ring (red) -----X1

Body decal sheet -----X1

Window masks -----X1

Silver mirror decal -----X1

Screw 2.3X6mm -----X8

Screw M1.4X6mm -----X2

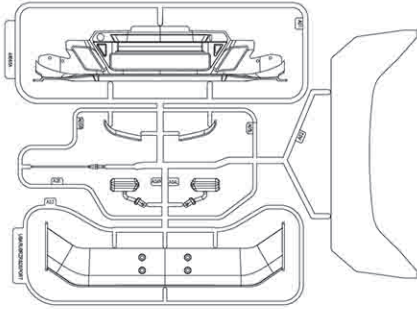
Nut 2.6X1.4mm -----X2

Clip -----X2

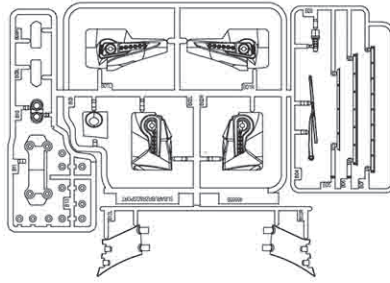
O-Ring -----X2

## PLASTIC PARTS

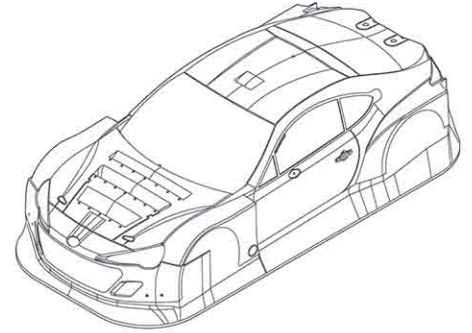
**A** ABS part-1



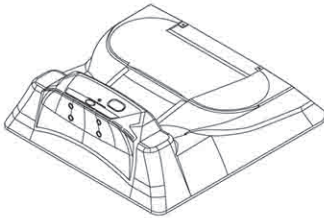
**B** ABS part-2



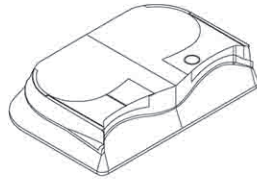
**C** PC part-1



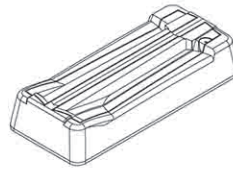
**D** PC part-2



**E** PC part-3

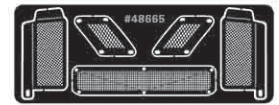


**F** PC part-4



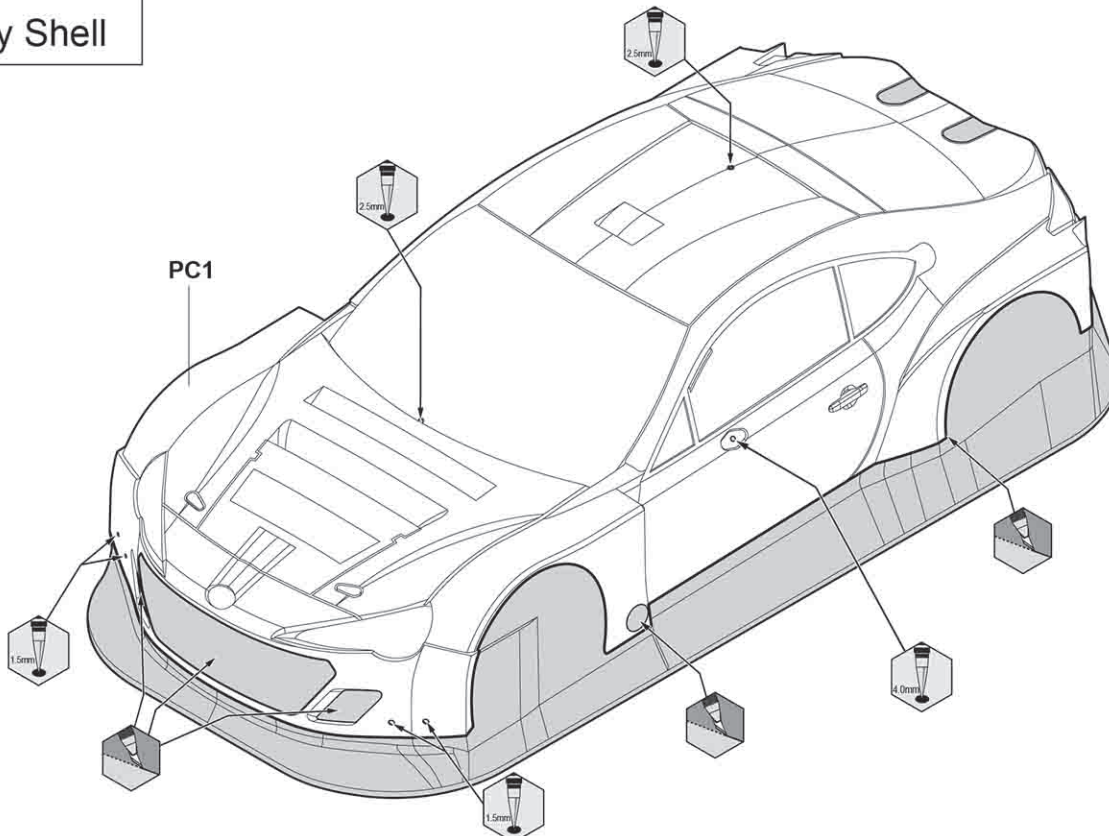
**G** Stainless steel air intake mesh & Trailer ring (red)

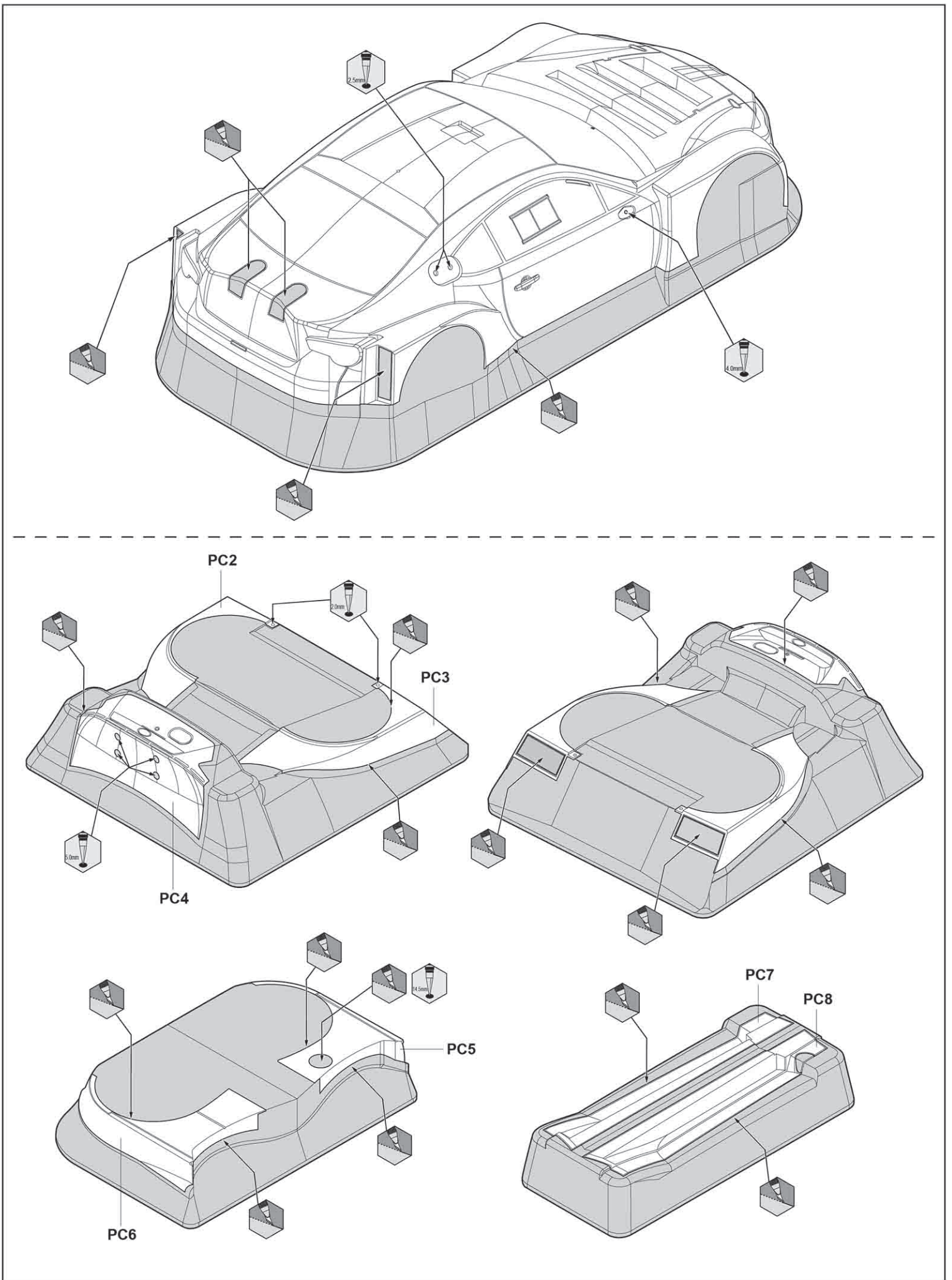
G01



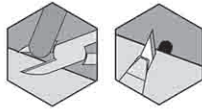
G02

## 1 Body Shell



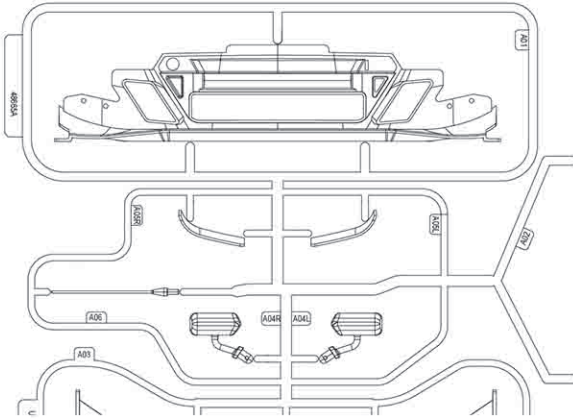


## 2 Cutting



Cut and smooth rough edge.

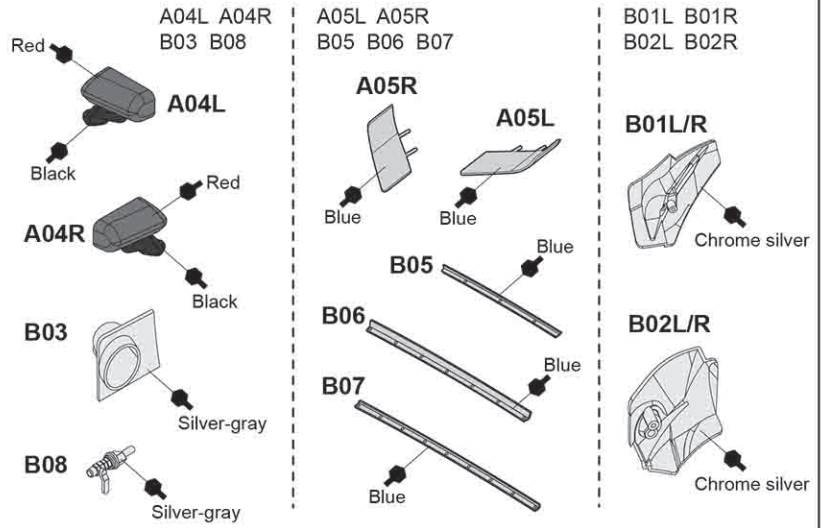
**A B**



## 3 Painting

Paint spray color what you prefer on these parts.  
It is advised use the recommended spray color as below.

**A B**



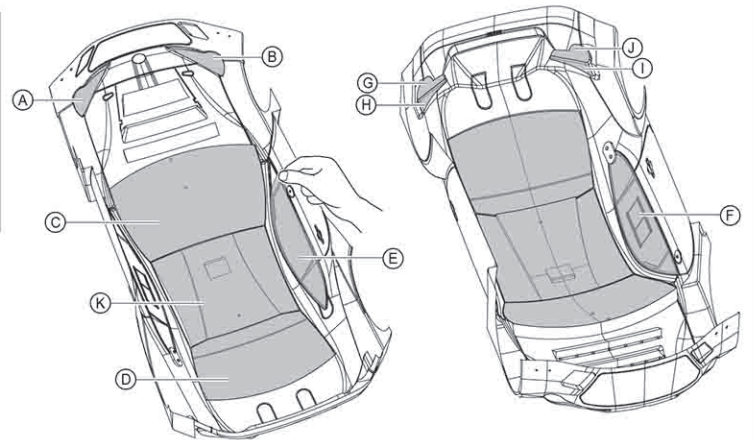
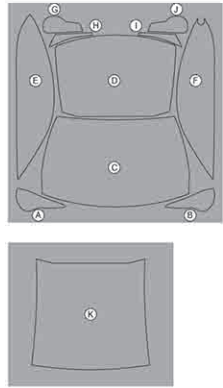
## 4 Painting

**1** Before painting, use a neutral detergent to remove any oil residues and dirt.

**C D E F**



**2** Mask the parts from inside.

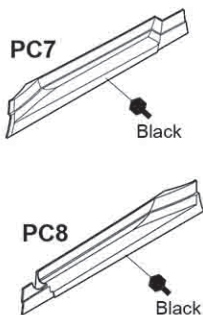
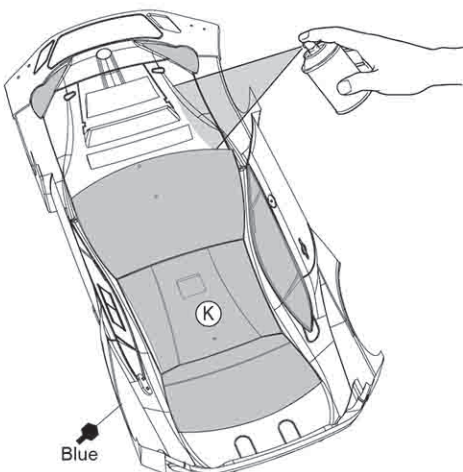


**3** Paint spray color from the inside.

**C D E F**



PC1: Paint blue spray color first, remove the window mask (K), and then paint silver spray color.



**3** After painting, remove the protective film from the body shell.



# 5 Decal

When making the window transparent

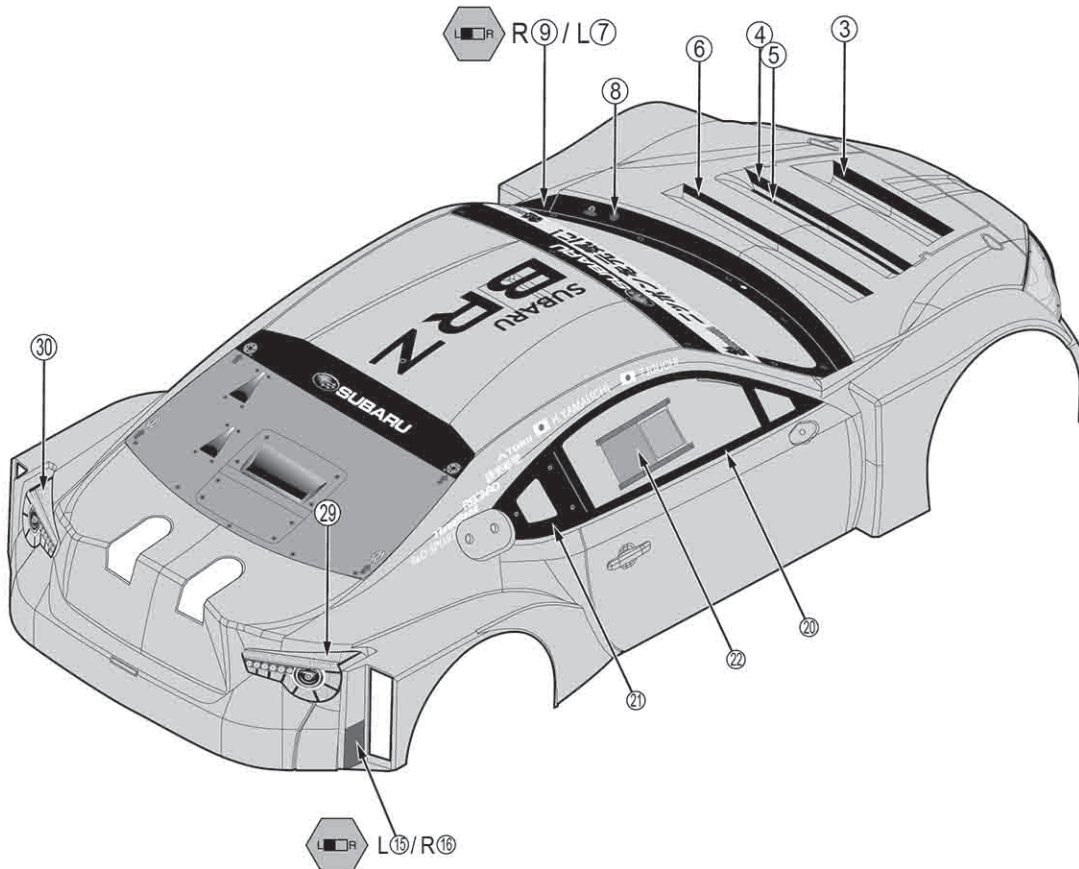
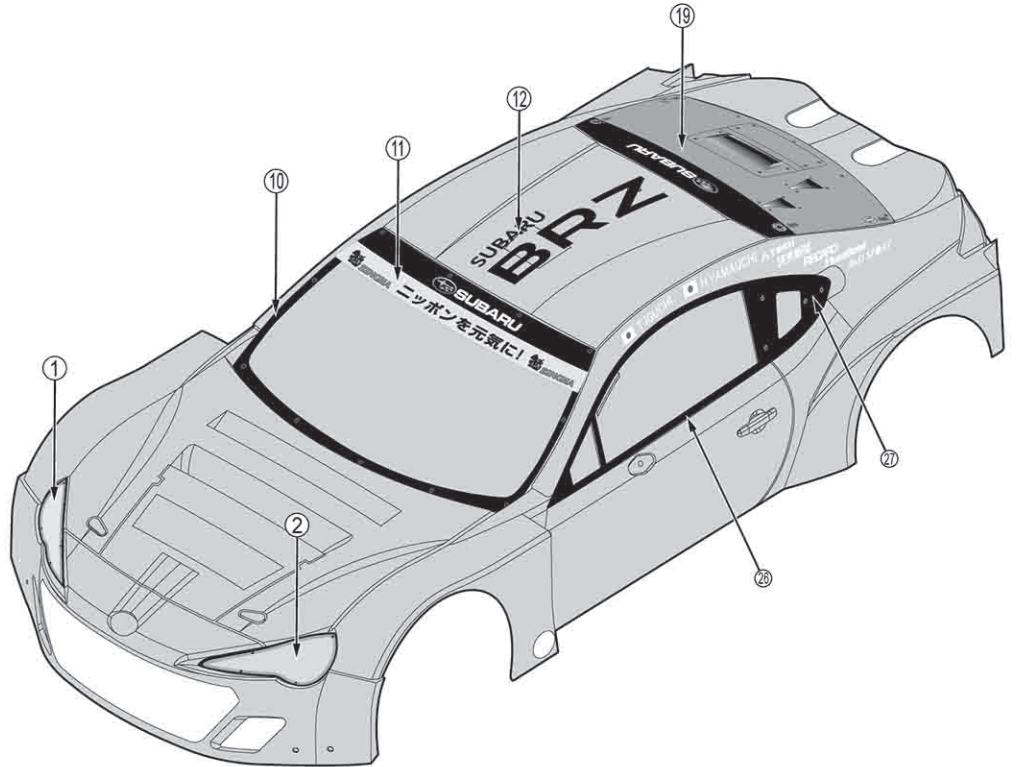
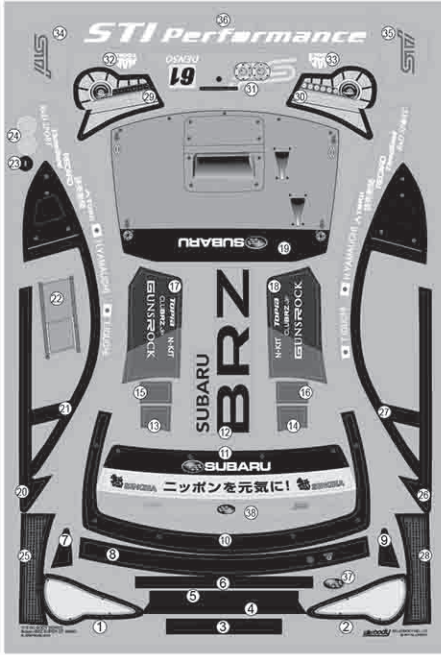
Non Decoration Body

When loading LED lights

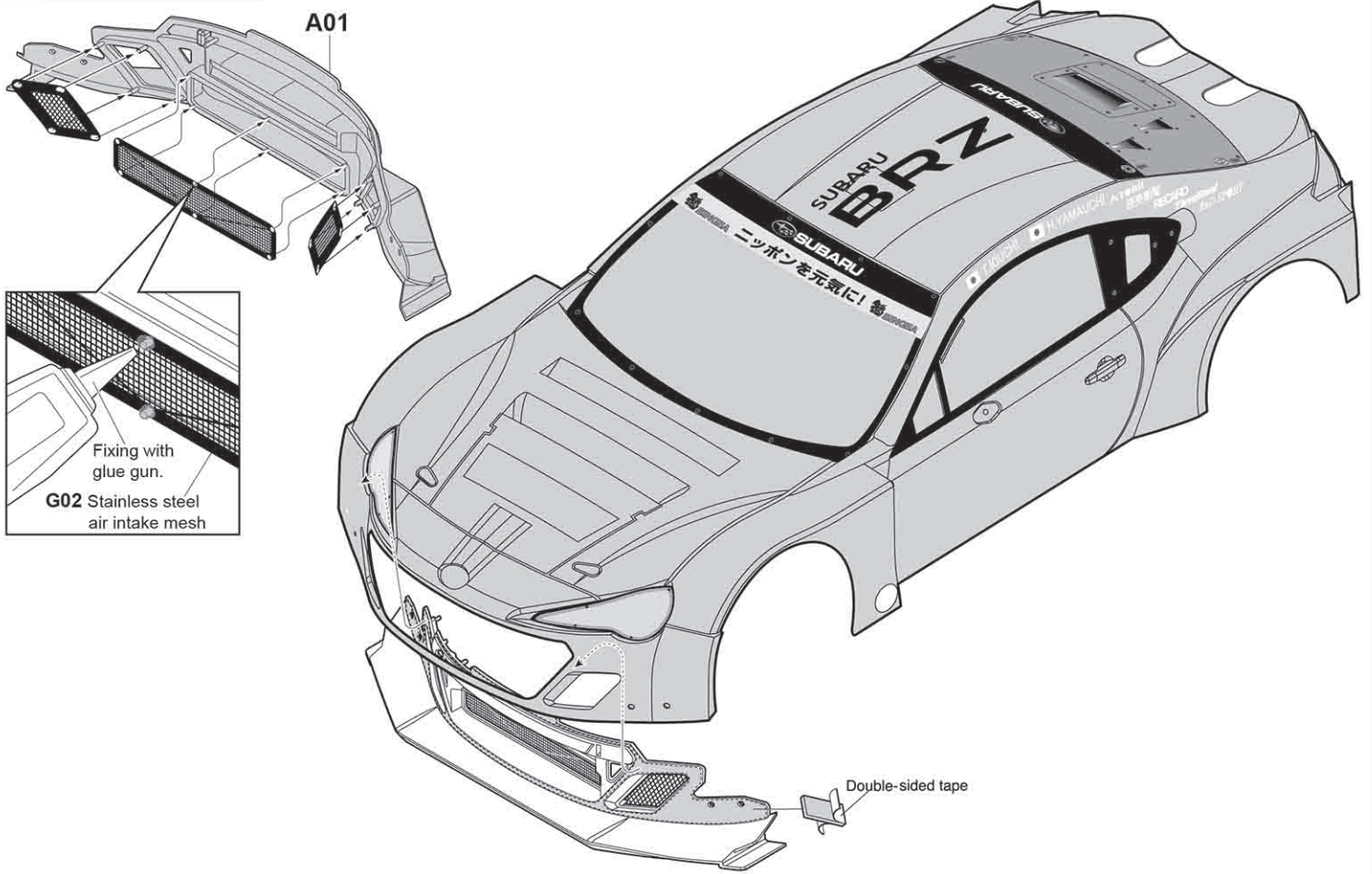
▶ The decal numbers between brackets are only for the opposite side.

When reproducing the light by decal

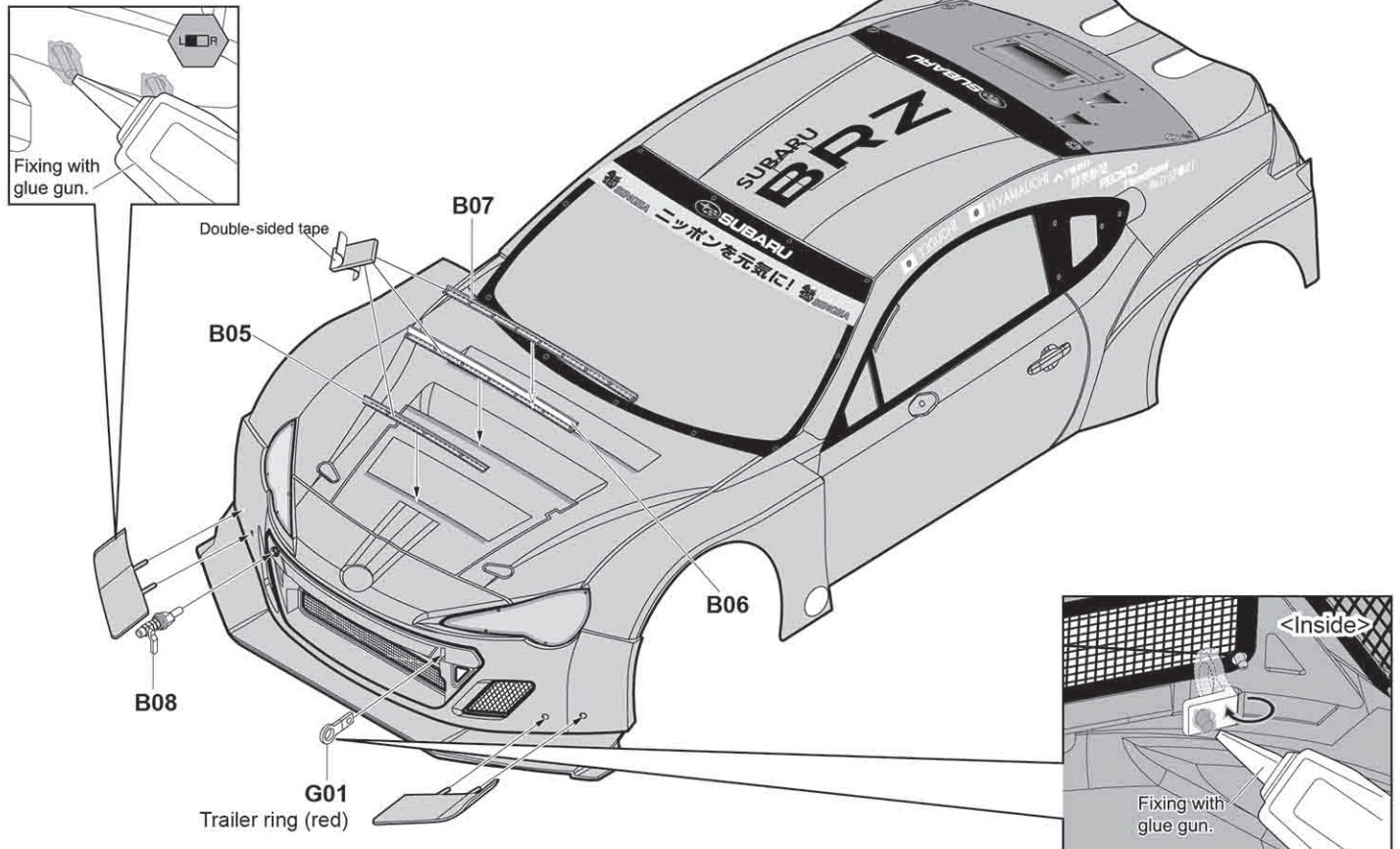
▶ Change the decal according to the following contents.



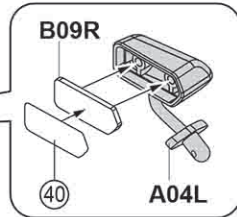
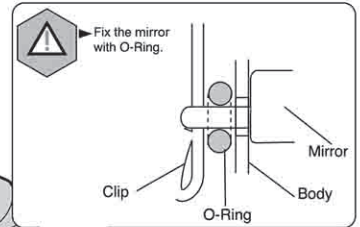
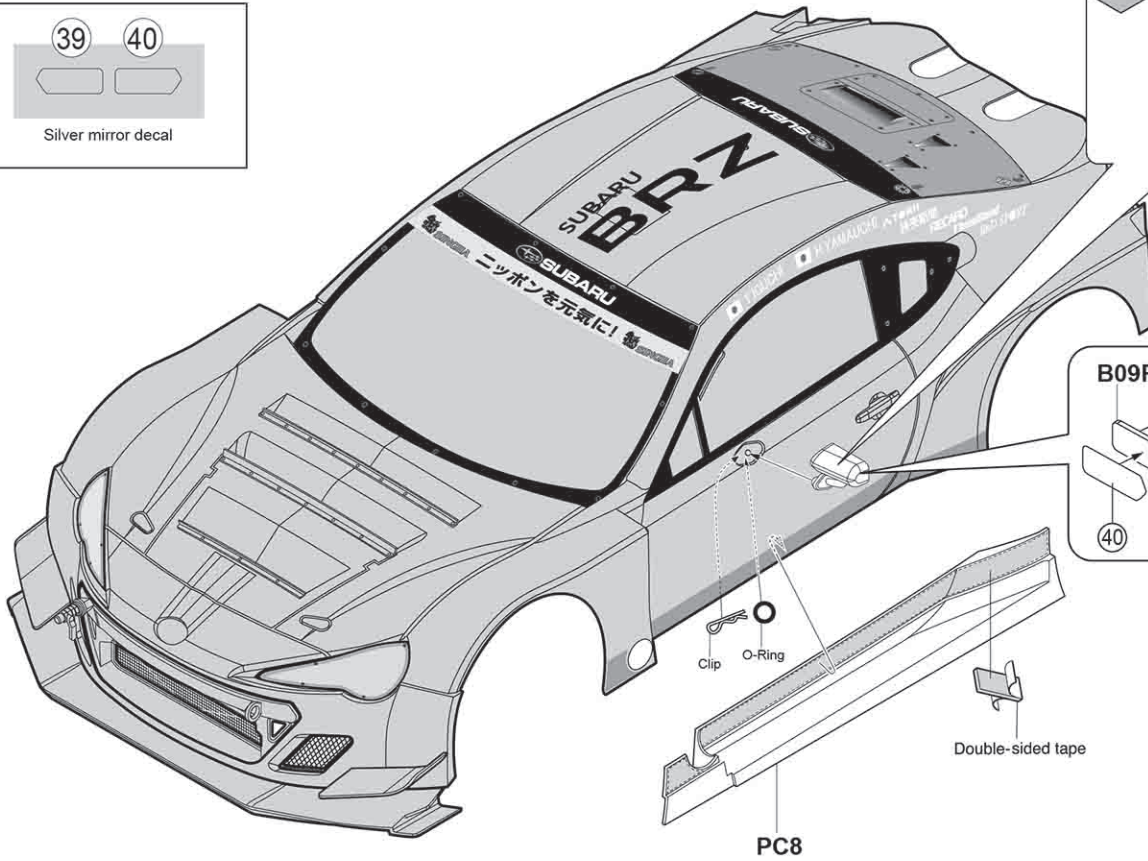
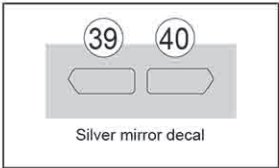
## 6 Assembling



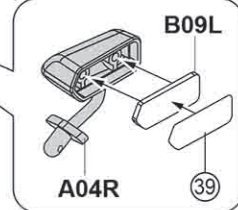
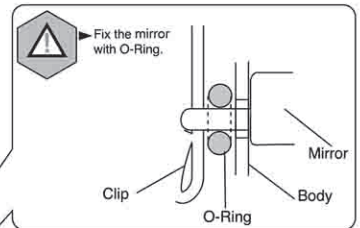
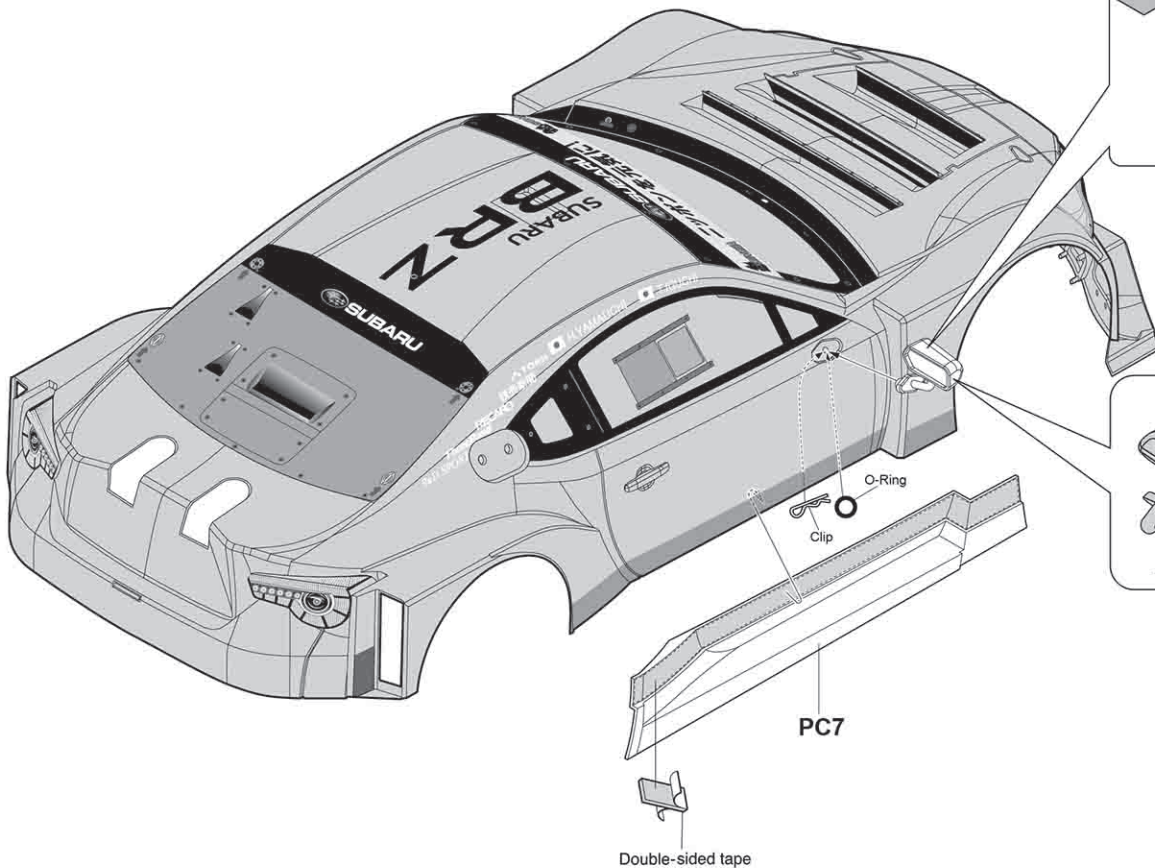
## 7 Assembling



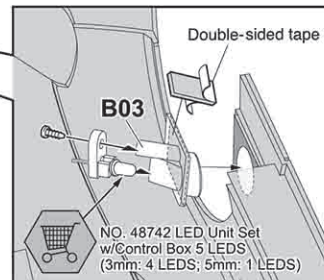
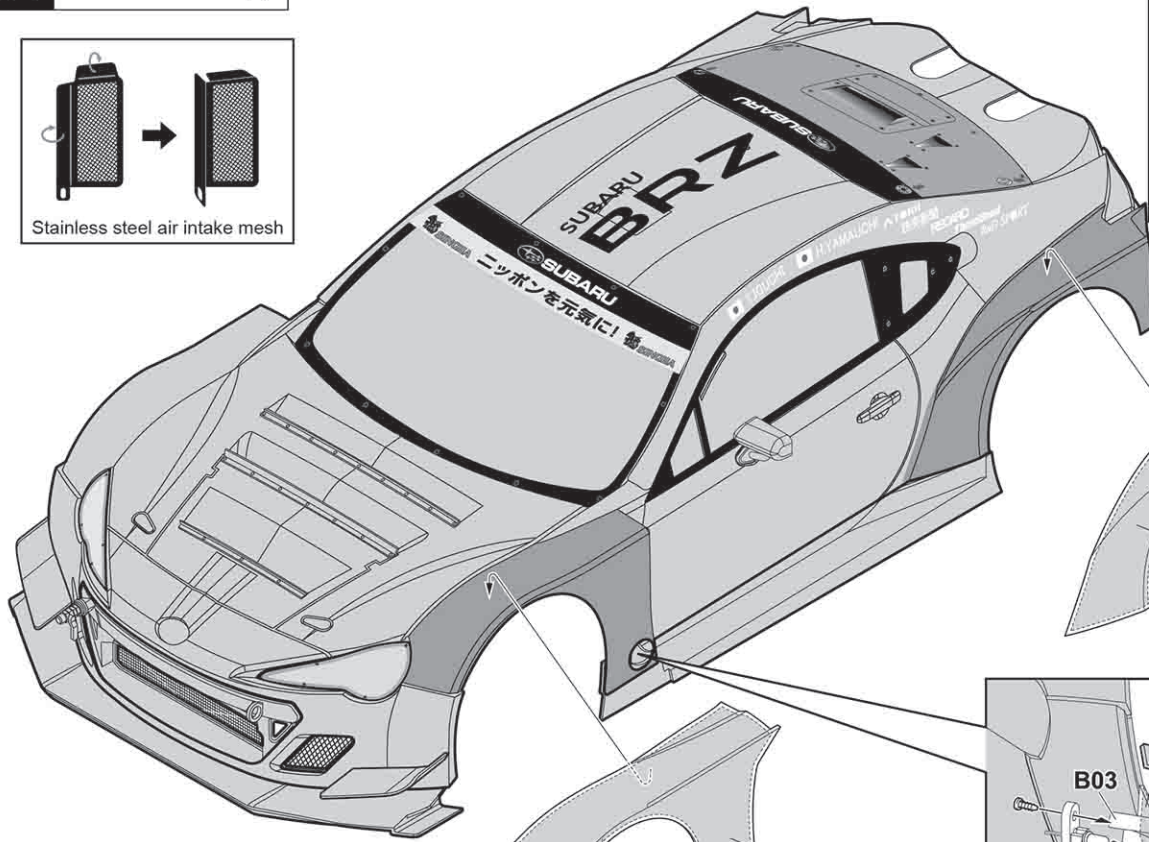
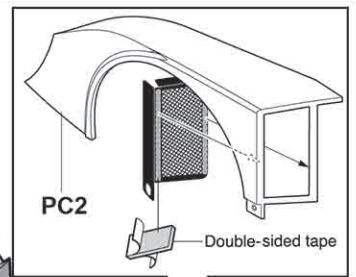
# 8 Assembling



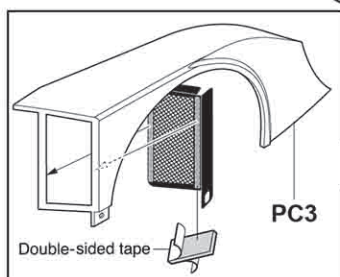
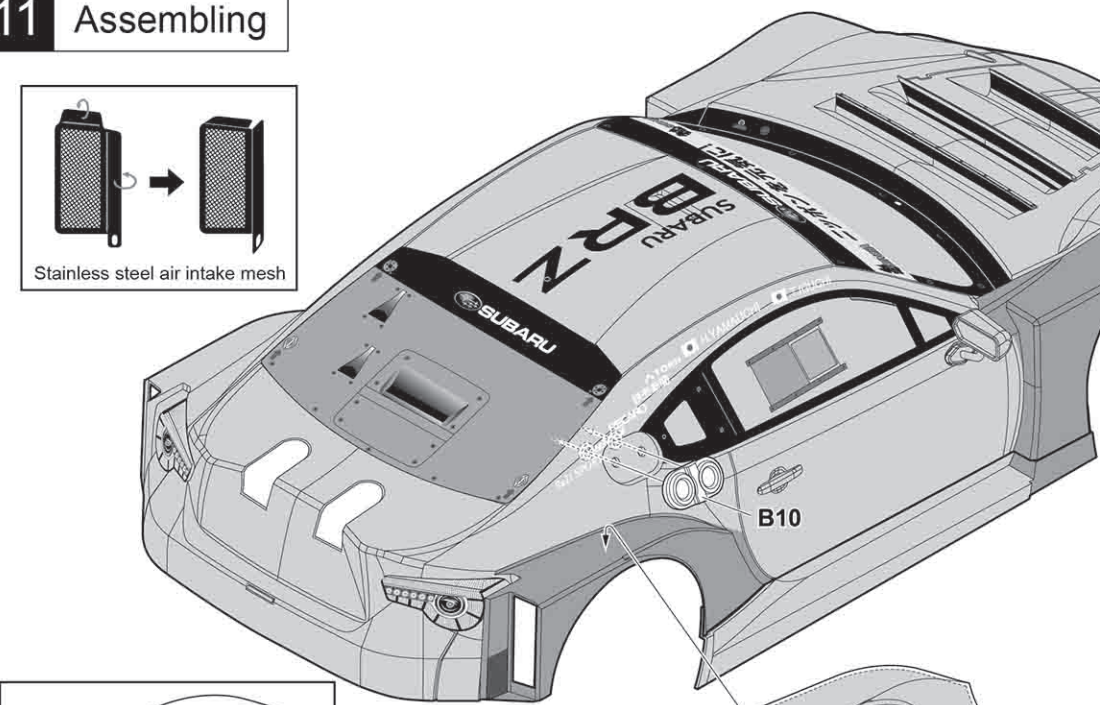
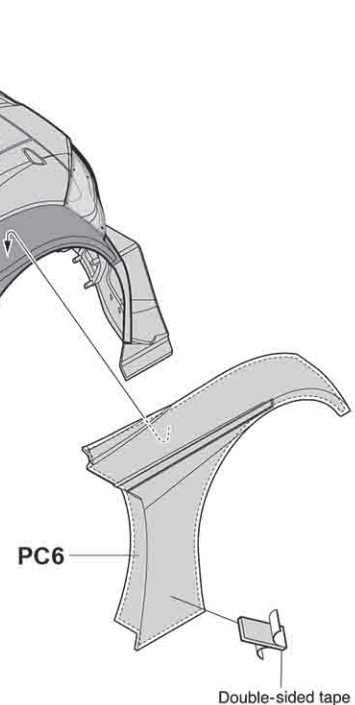
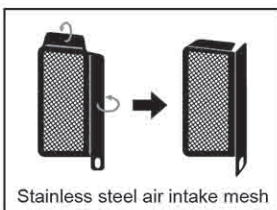
# 9 Assembling



# 10 Assembling

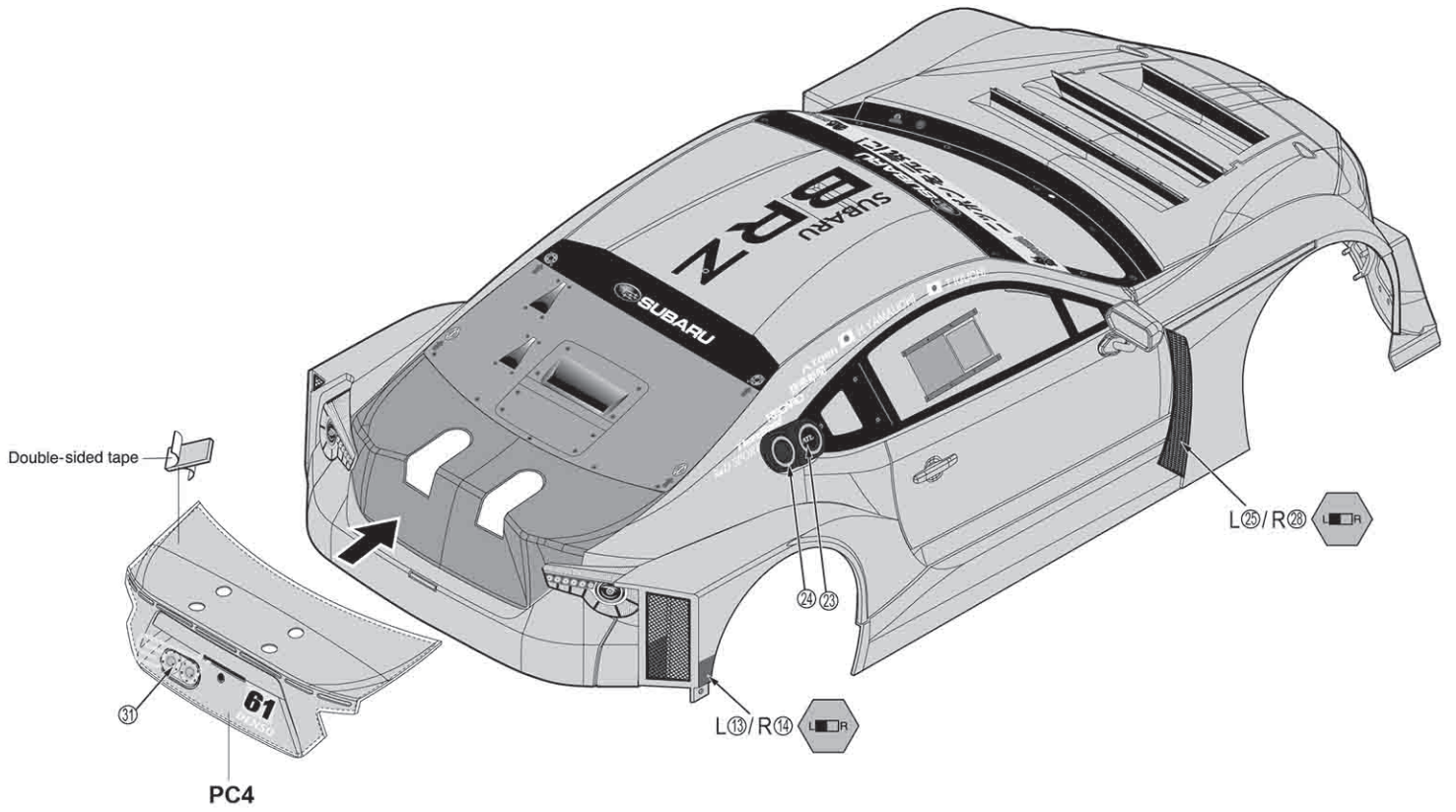


# 11 Assembling



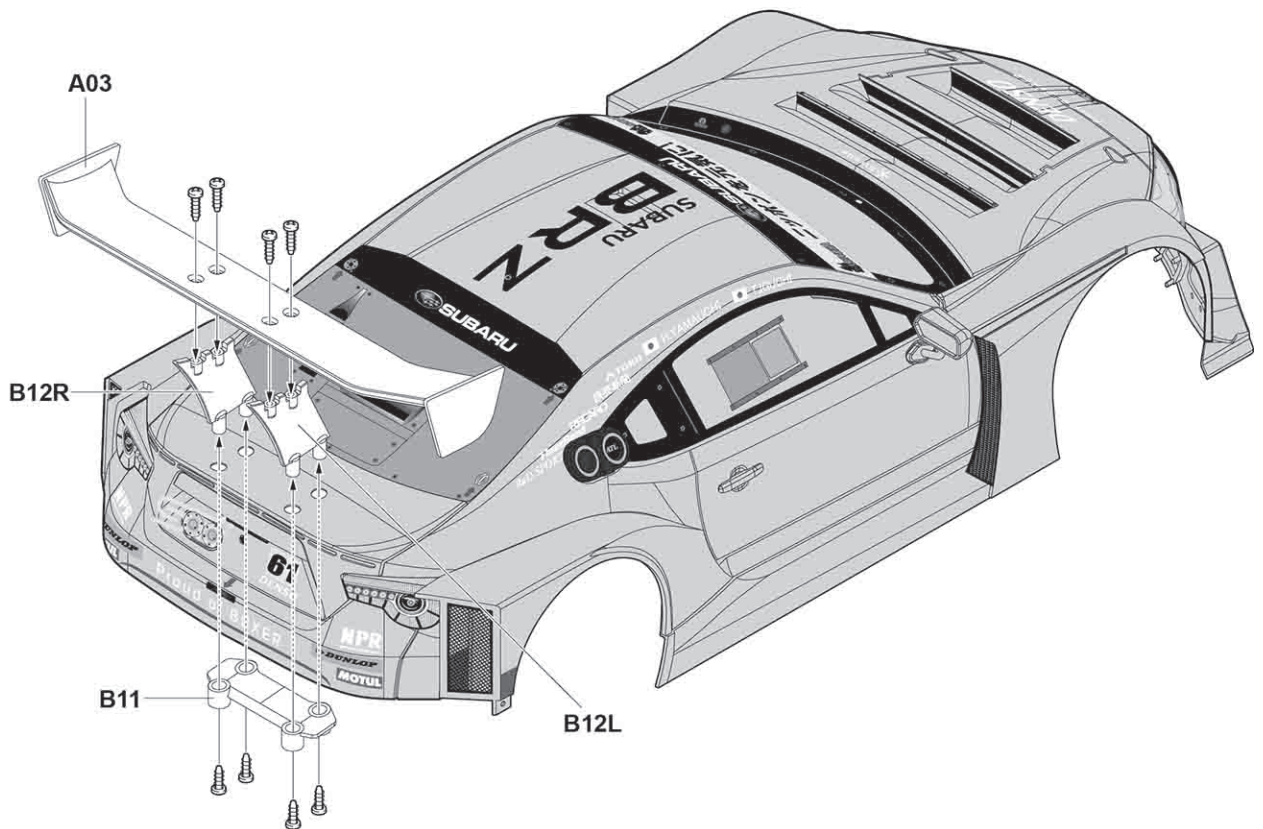


# 12 Assembling



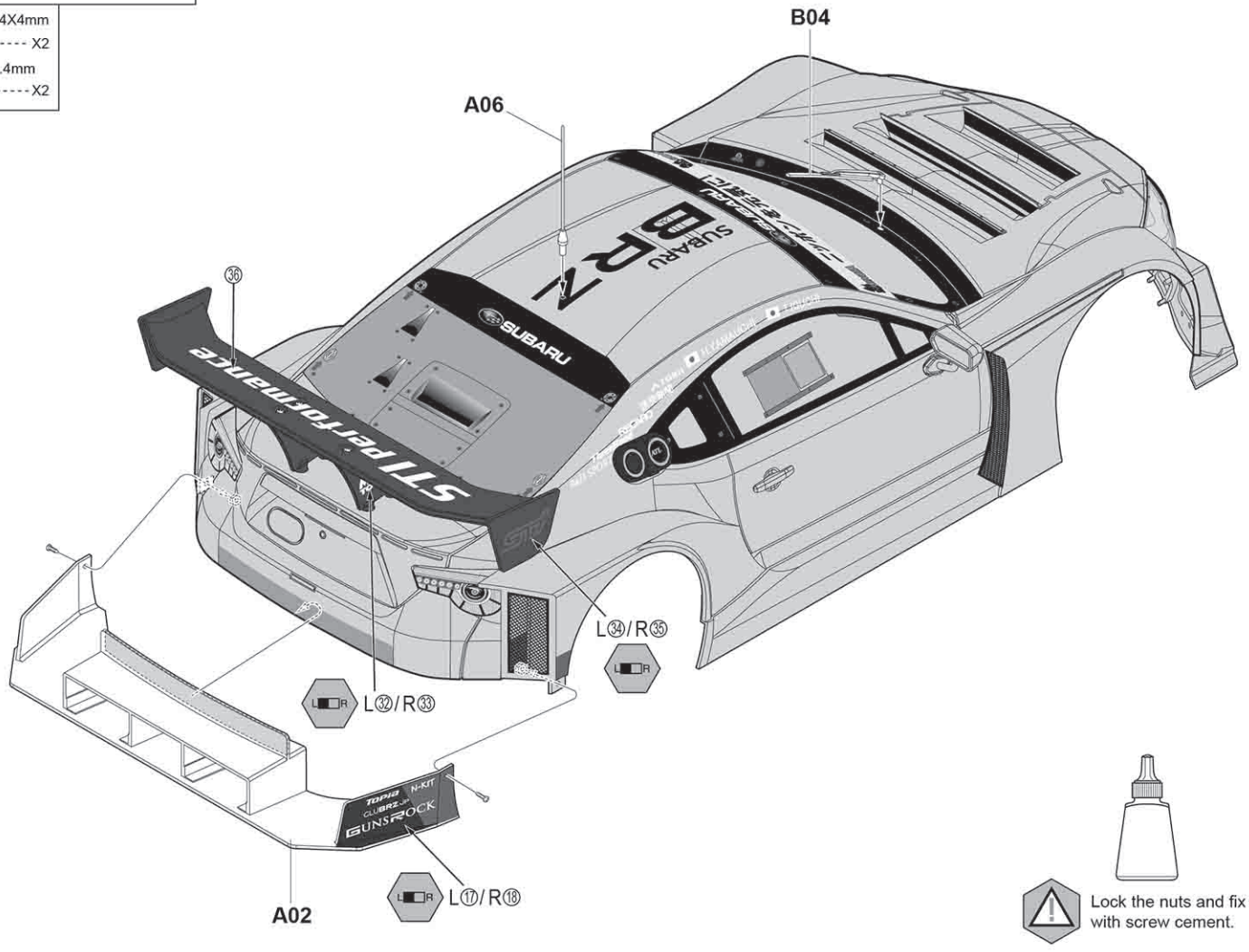
# 13 Assembling

Screw 2.3X6mm  
-----X8






# 14 Assembling

- Screw M1.4X4mm
-  ..... X2
- Nut 2.6X1.4mm
-  ..... X2



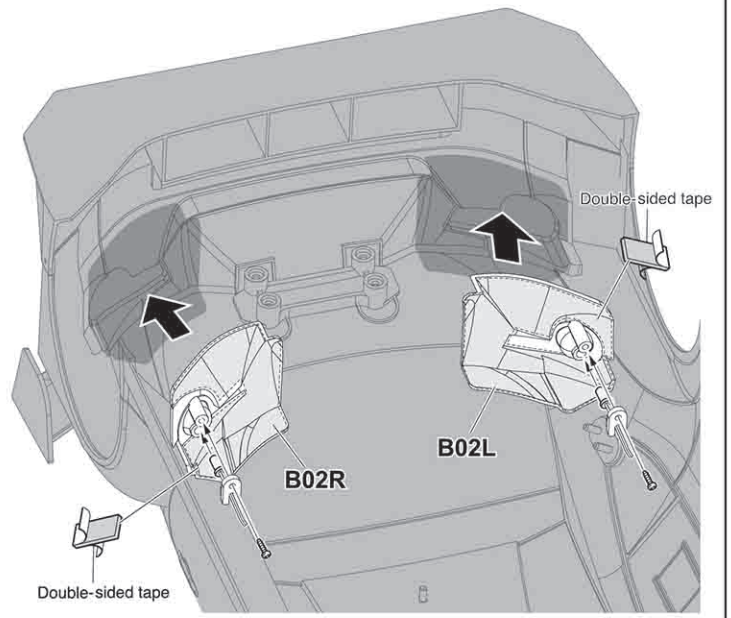
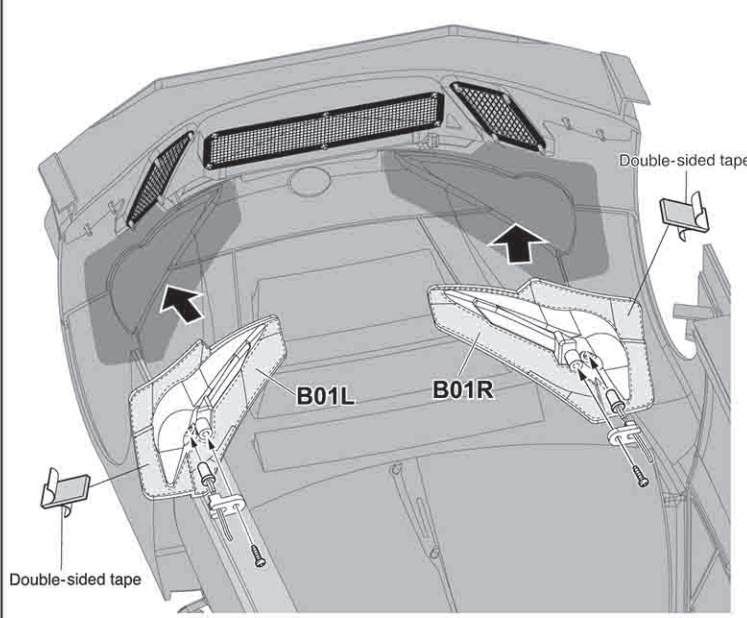
# 15 Assembling

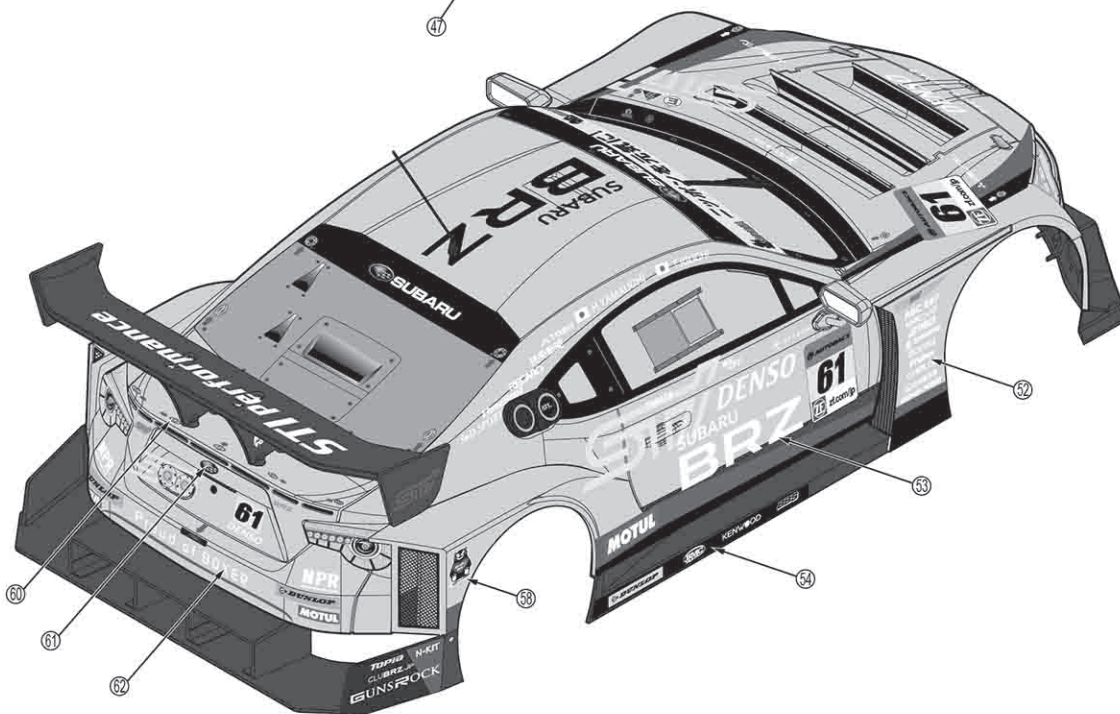
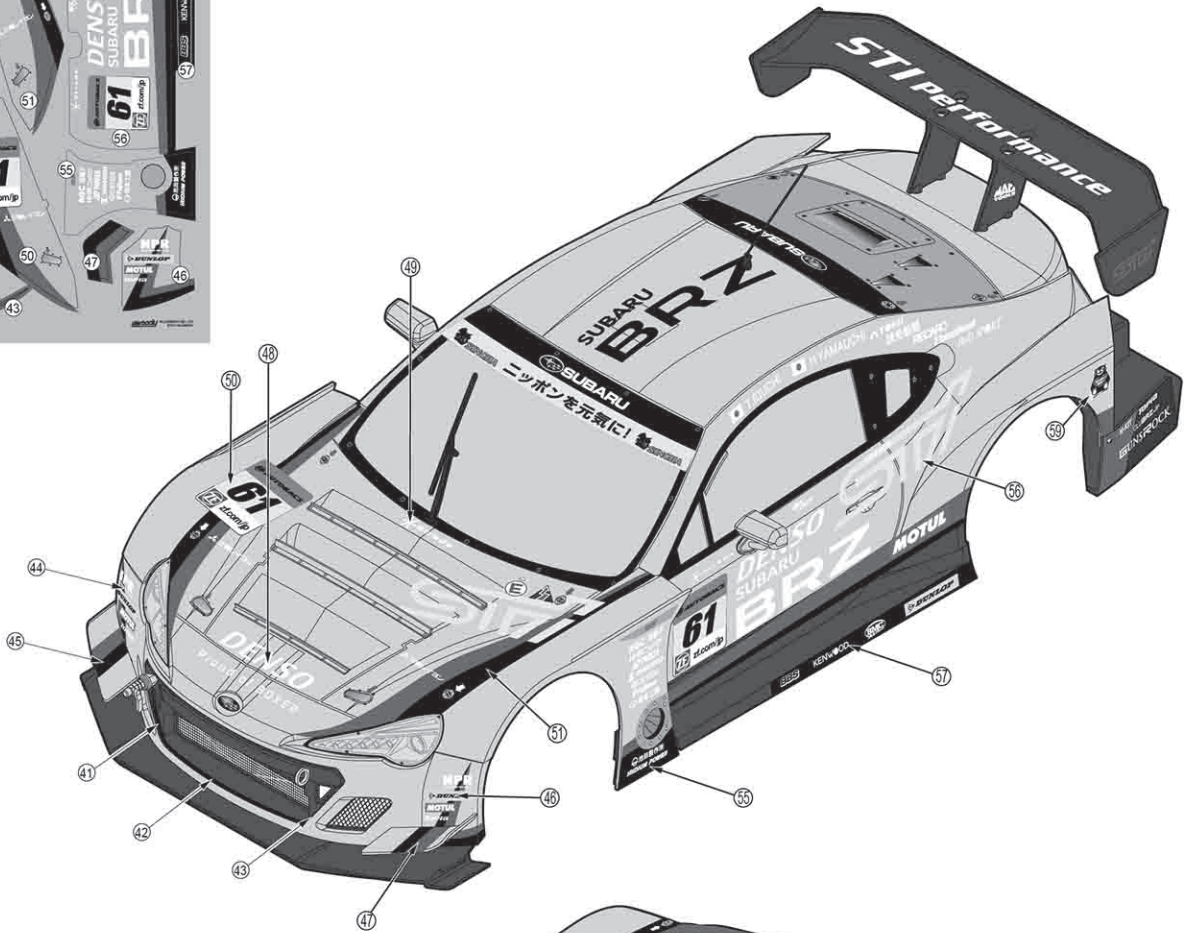
 NO. 48742 LED Unit Set w/Control Box 5 LEDS (3mm: 4 LEDS; 5mm: 1 LEDS)

- LED stopper
-  ..... 4
- Tapping screw
-  ..... 4

<Front>

<Rear>





# 17 Wires Distribution



NO. 48742 LED Unit Set w/Control Box 5 LEDs (3mm: 4 LEDs; 5mm: 1 LED)

LED 1 ( white lights: 3mm)

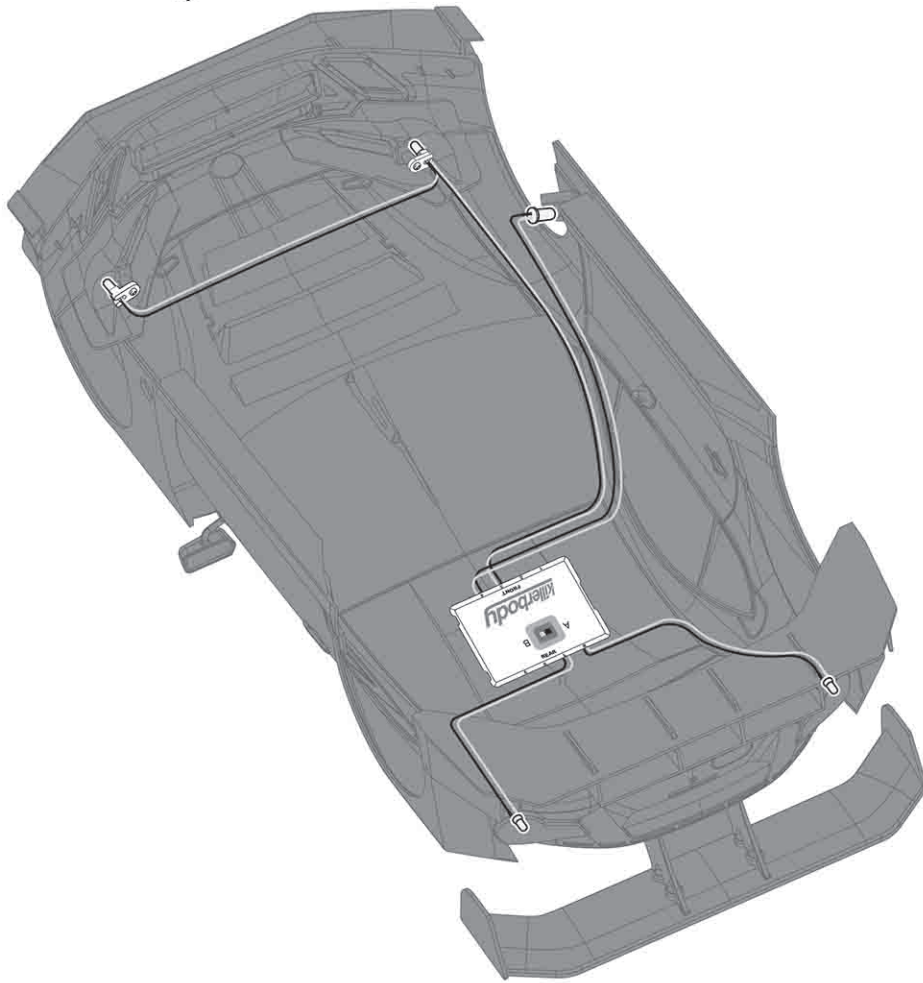
----- 2

LED 2 ( red lights: 3mm)

----- 2

LED 3 ( orange lights: 5mm)

----- 1



# 18 Finished



For safety reasons, always fit the body shell when running your car.

