

killerbody™

1/10 Alloy Bumper w/LEDS Upgrade Sets

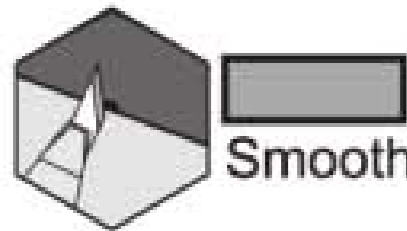
Fit for 1/10 Truck and SUV Traxxas TRX-4 Chassis

NO.48717 Silver-grey

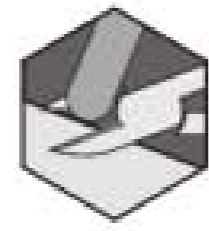
NO.48718 Matt-black

Before beginning assembly, please read these instructions thoroughly!

● Symbols used throughout the instruction manual, comprise:



Smooth rough edge.



Remove.



Pay close attention here!




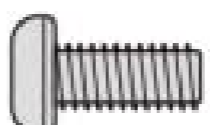
Must be purchased separately.



Assemble left and right sides the same way.

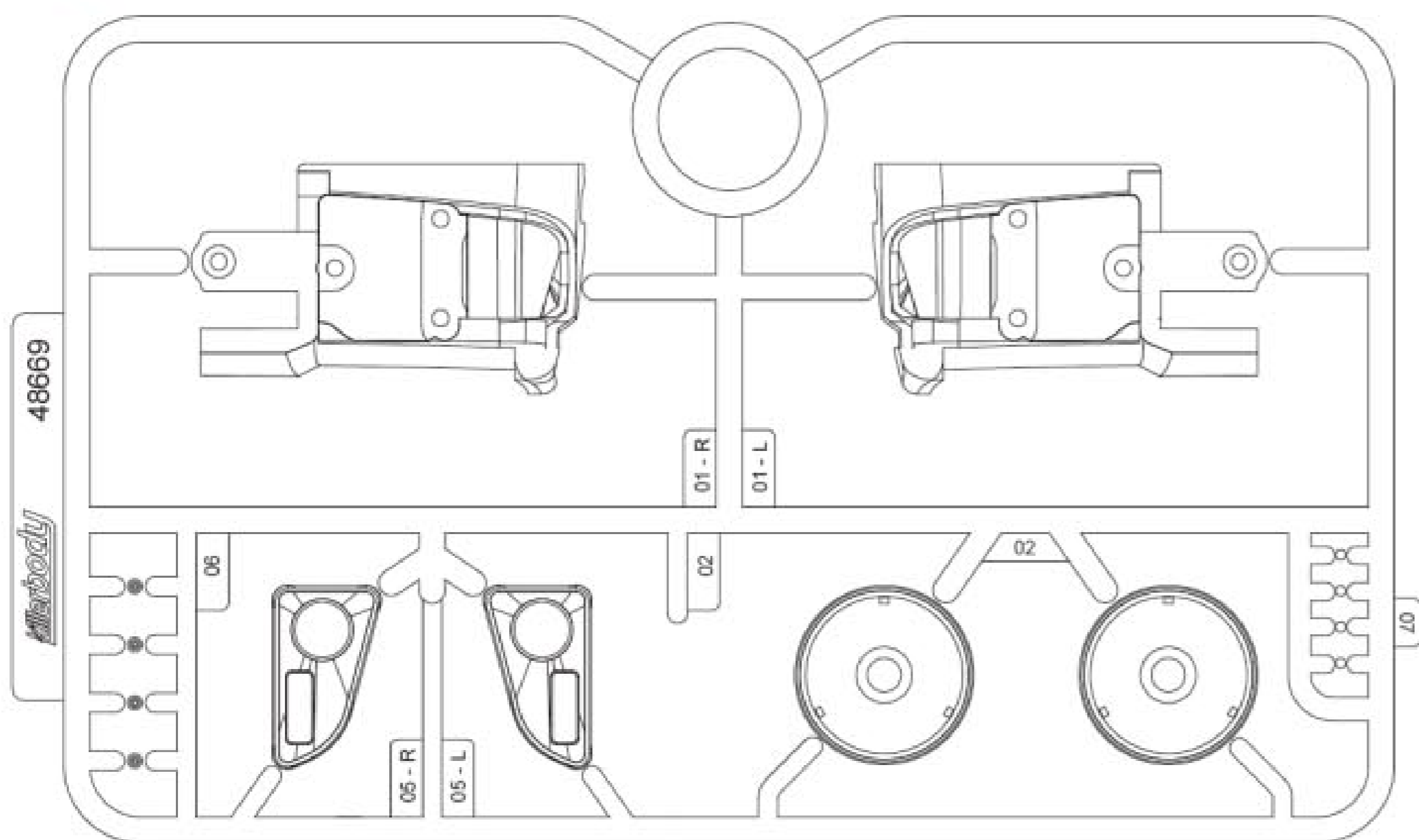


PARTS

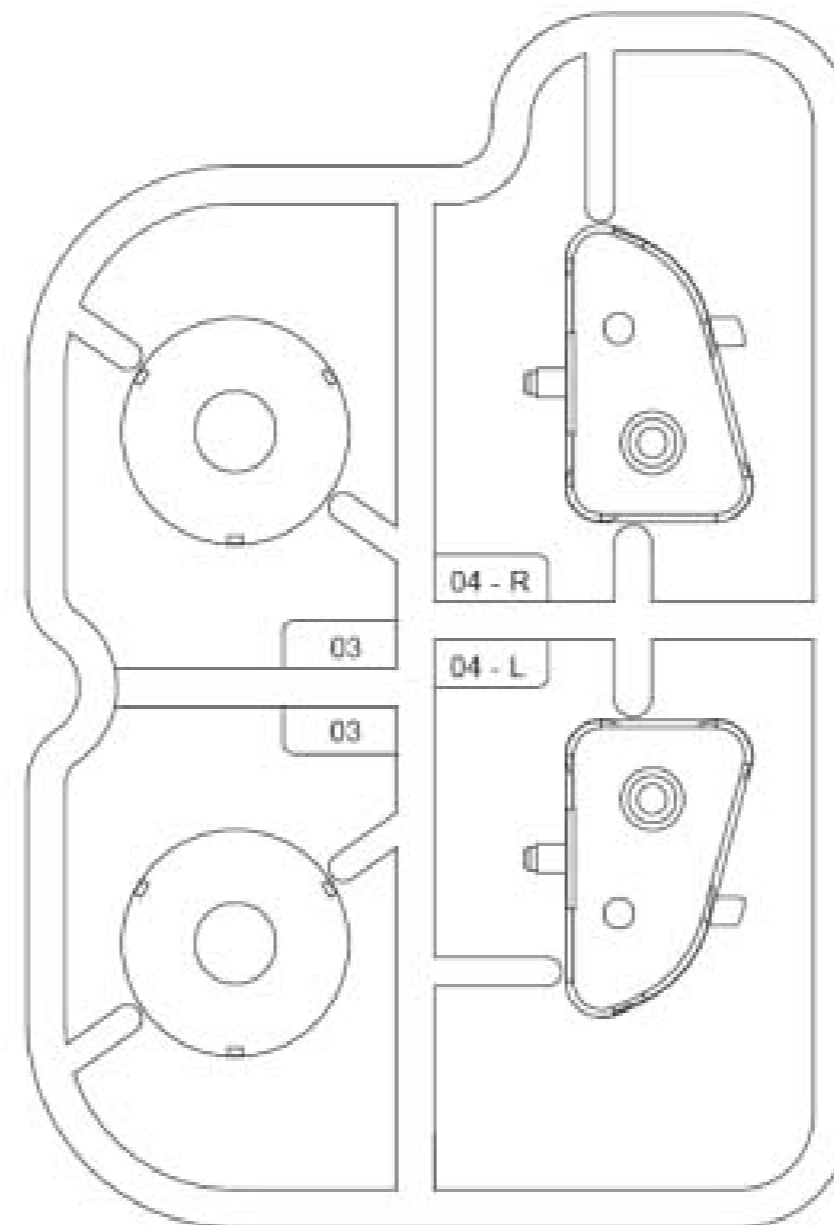
ABS parts ----- X1	Decal sheet -----X1	Antenna----- X3
ABS chromed parts ----- X1	LED lights unit----- X1	 Screw 1.4X4mm-----X6
PC headlight lenses ----- X1	Alloy bumper----- X1	 Screw M2.5X8mm-----x2

PLASTIC PARTS

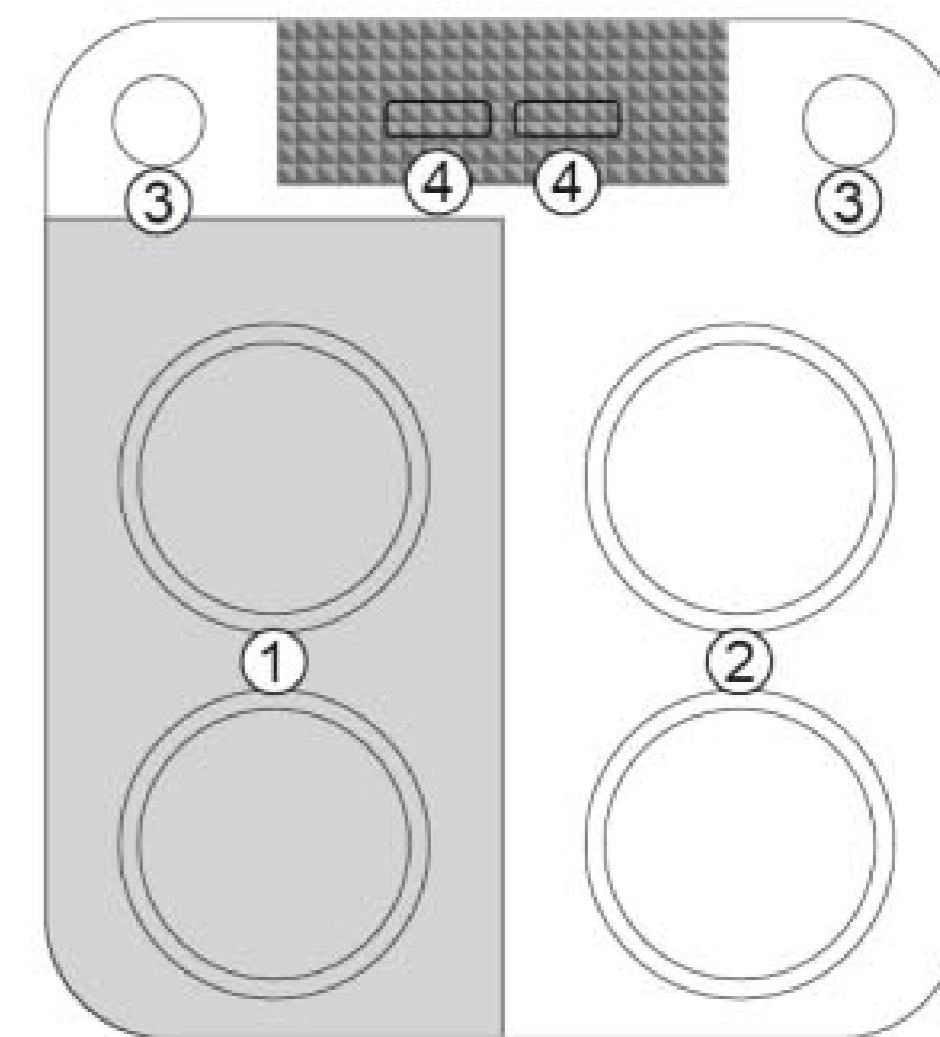
A ABS parts



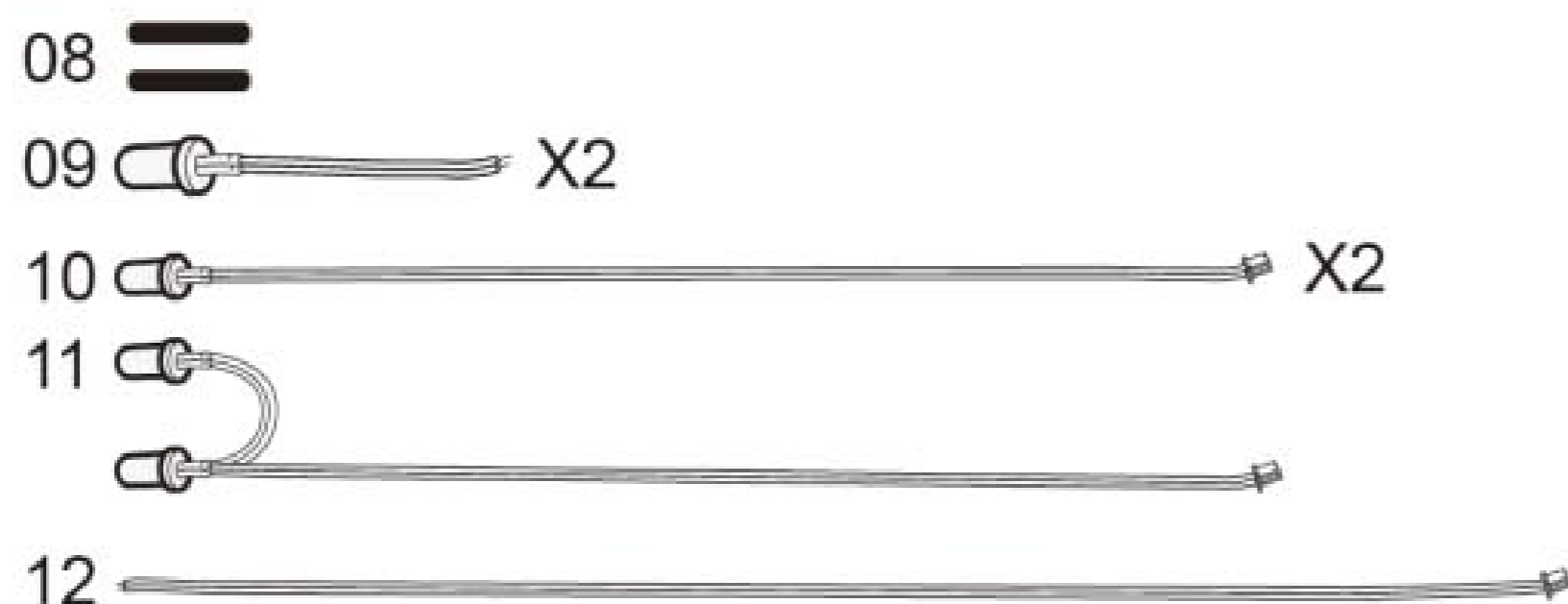
B Chromed parts



C PC headlight lenses



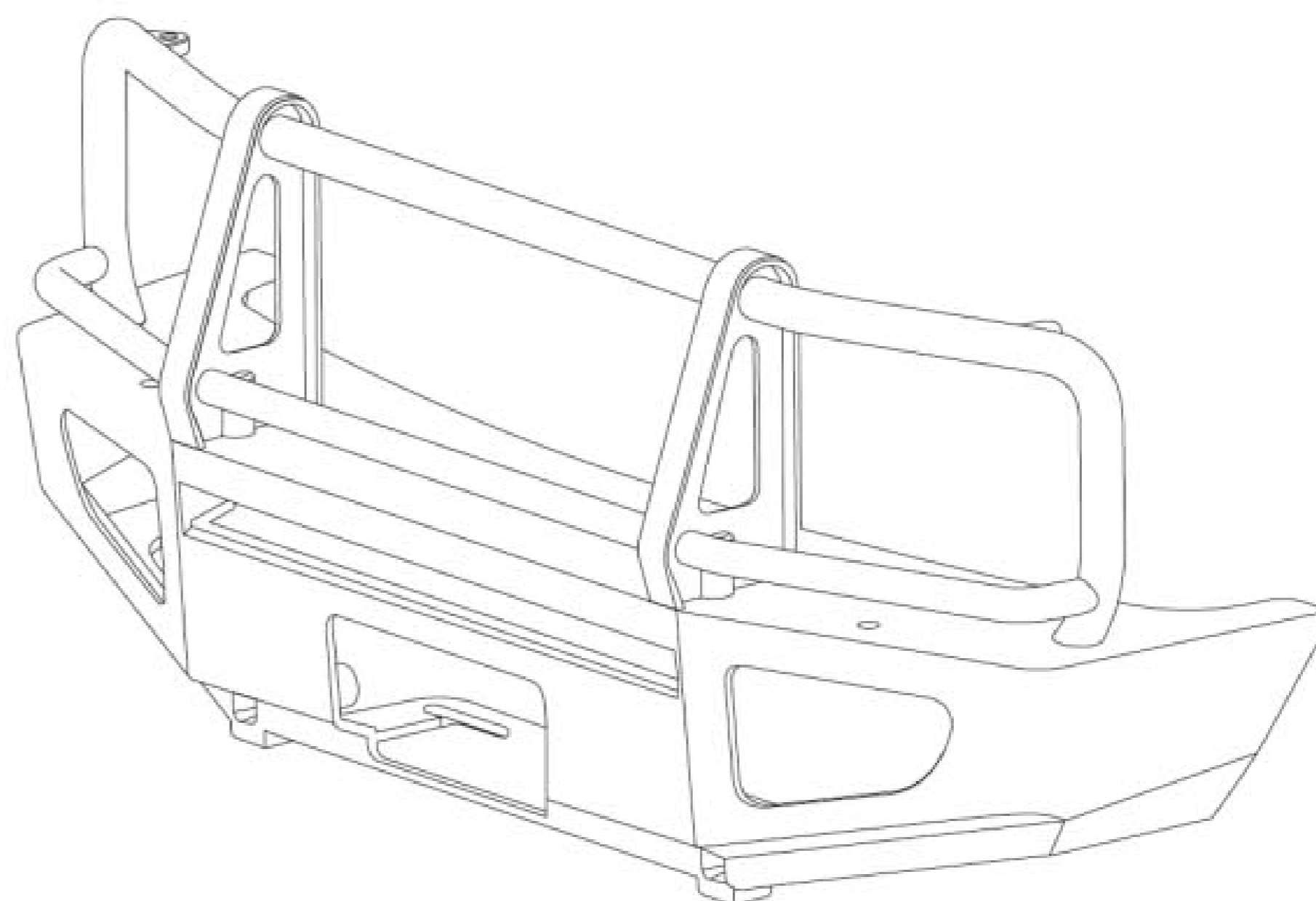
D LED lights unit



F Antenna



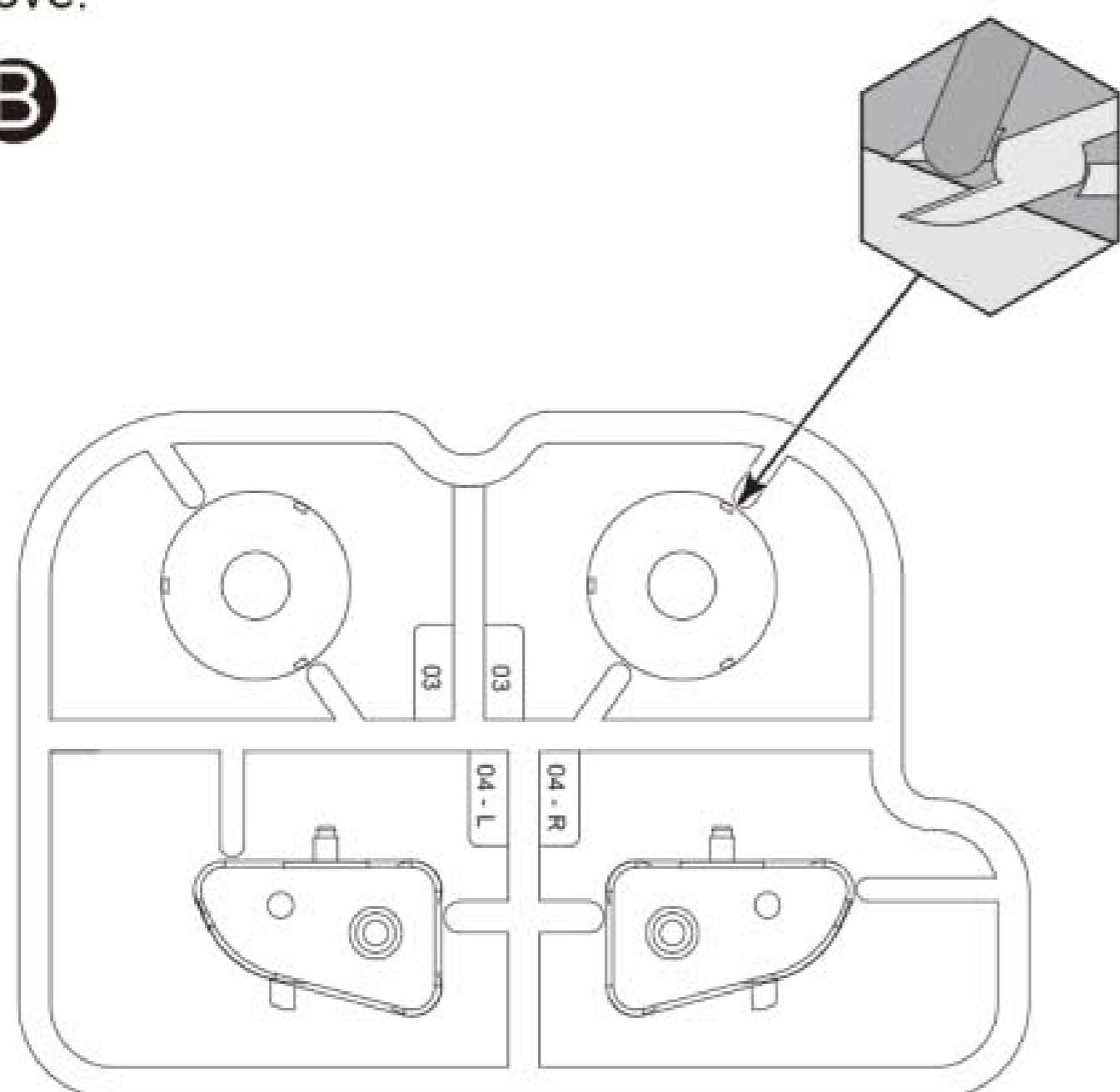
E Alloy bumper



1 Cutting

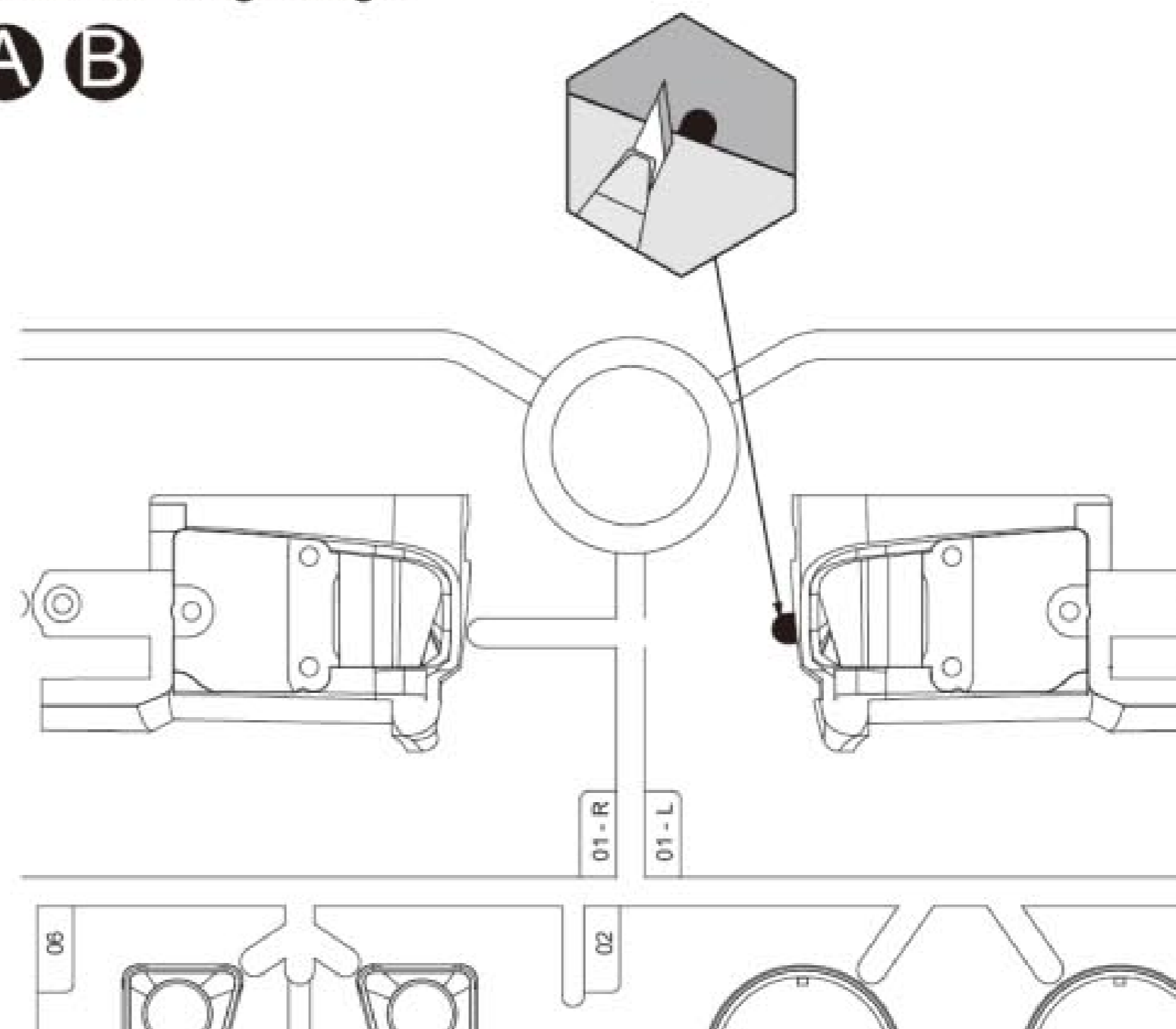
1 Remove.

A B



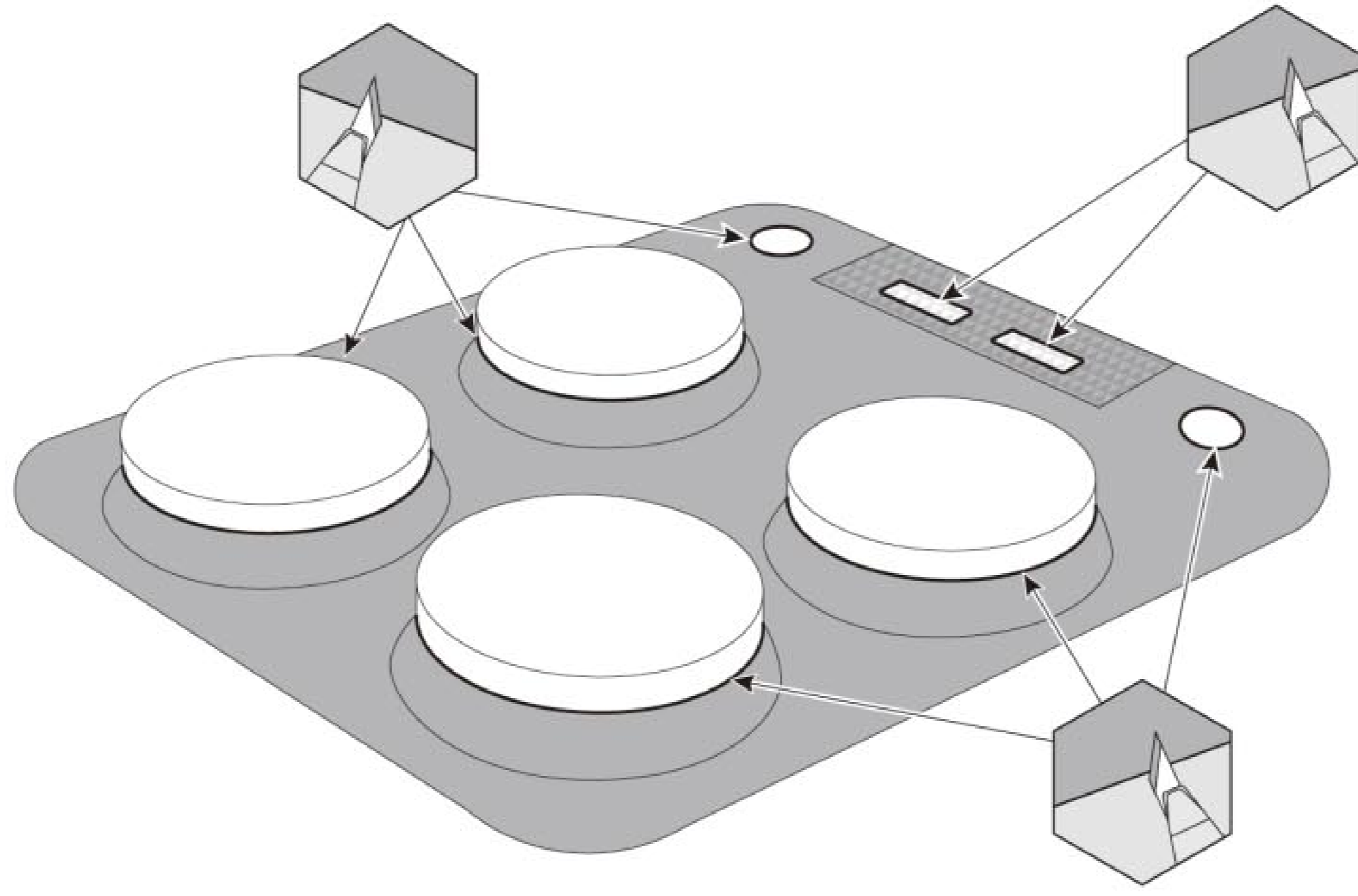
2 Smooth rough edge.

A B



2 Cutting

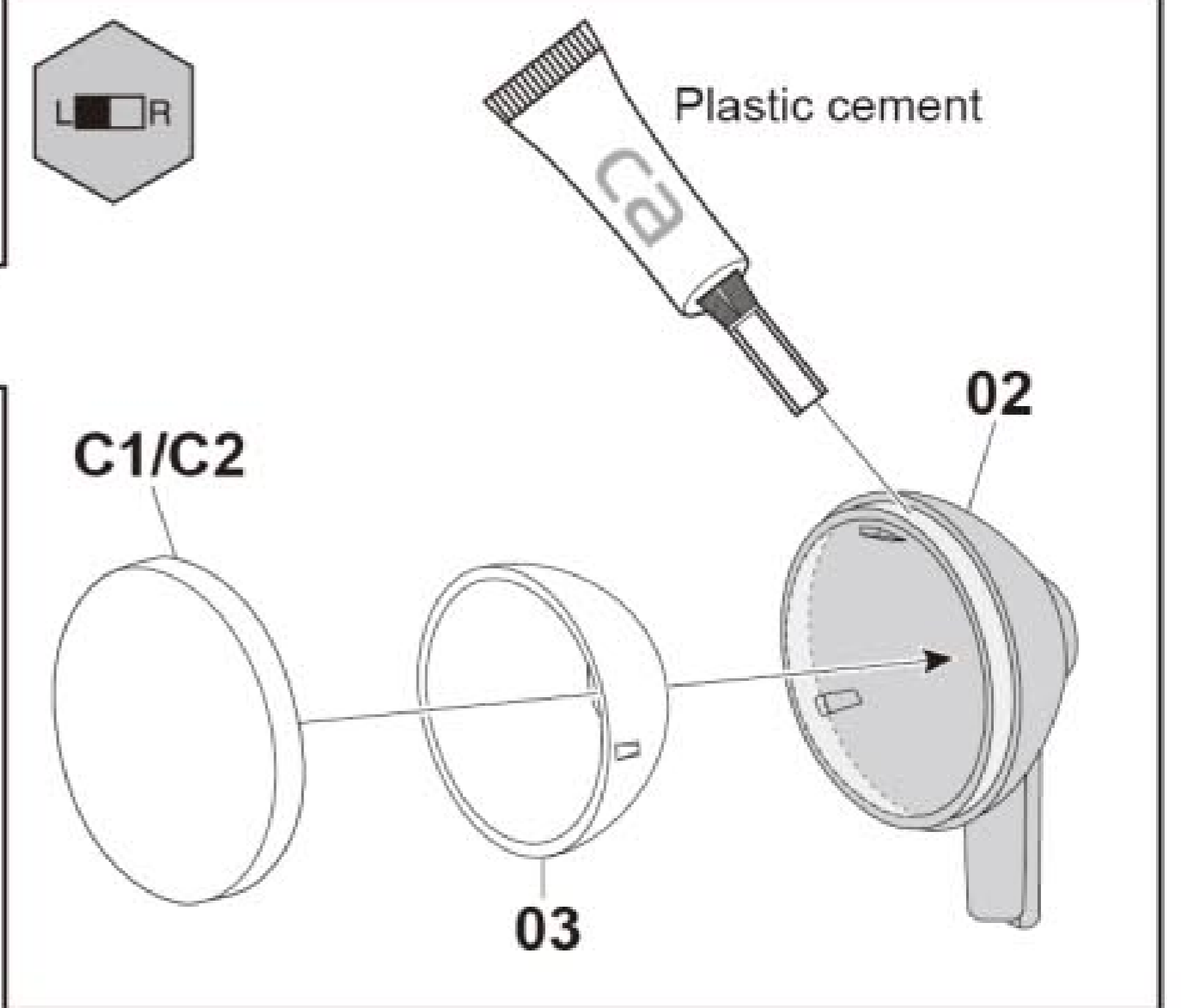
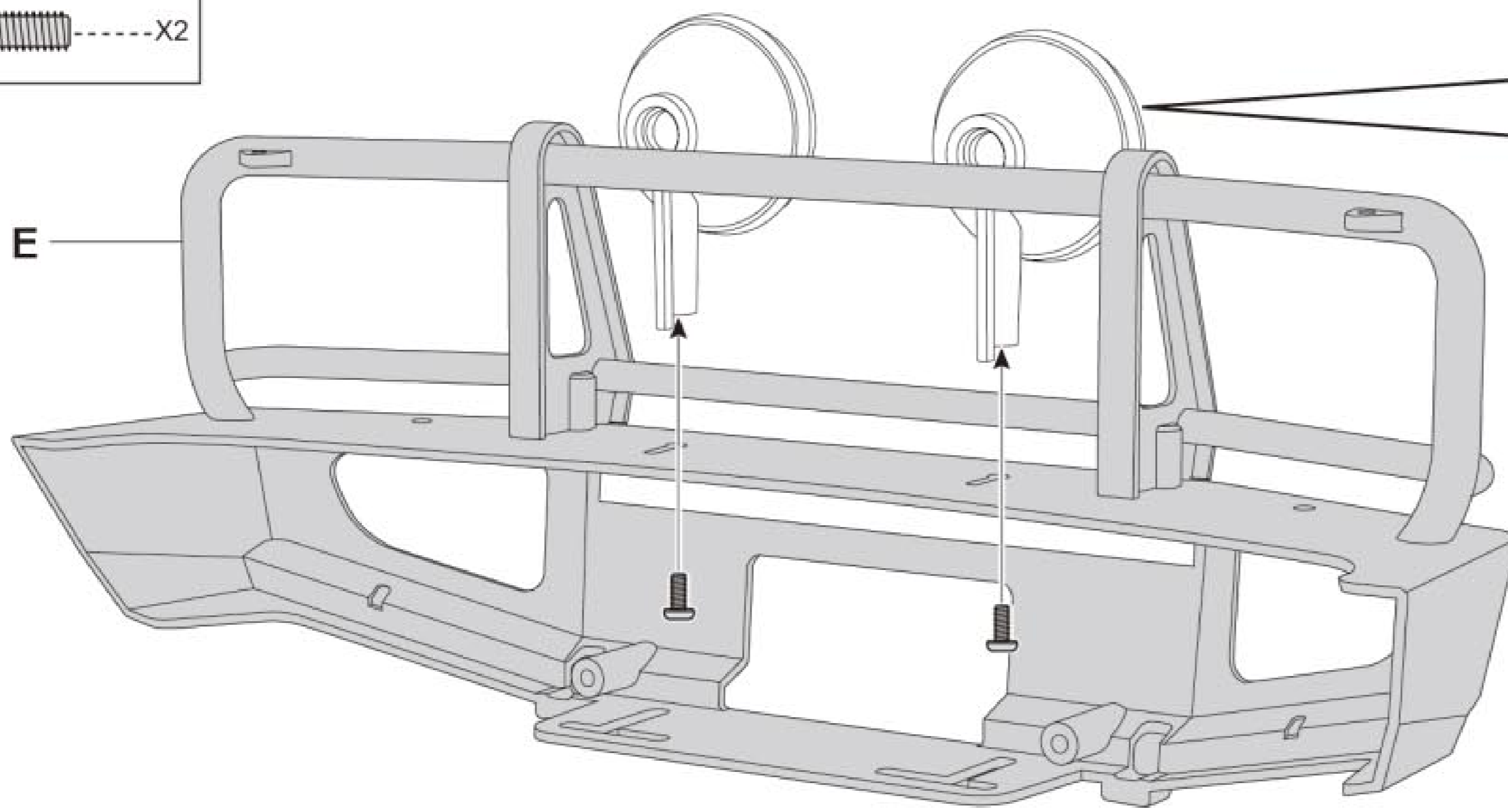
©



3 Assembling

Screw M2.5X8mm

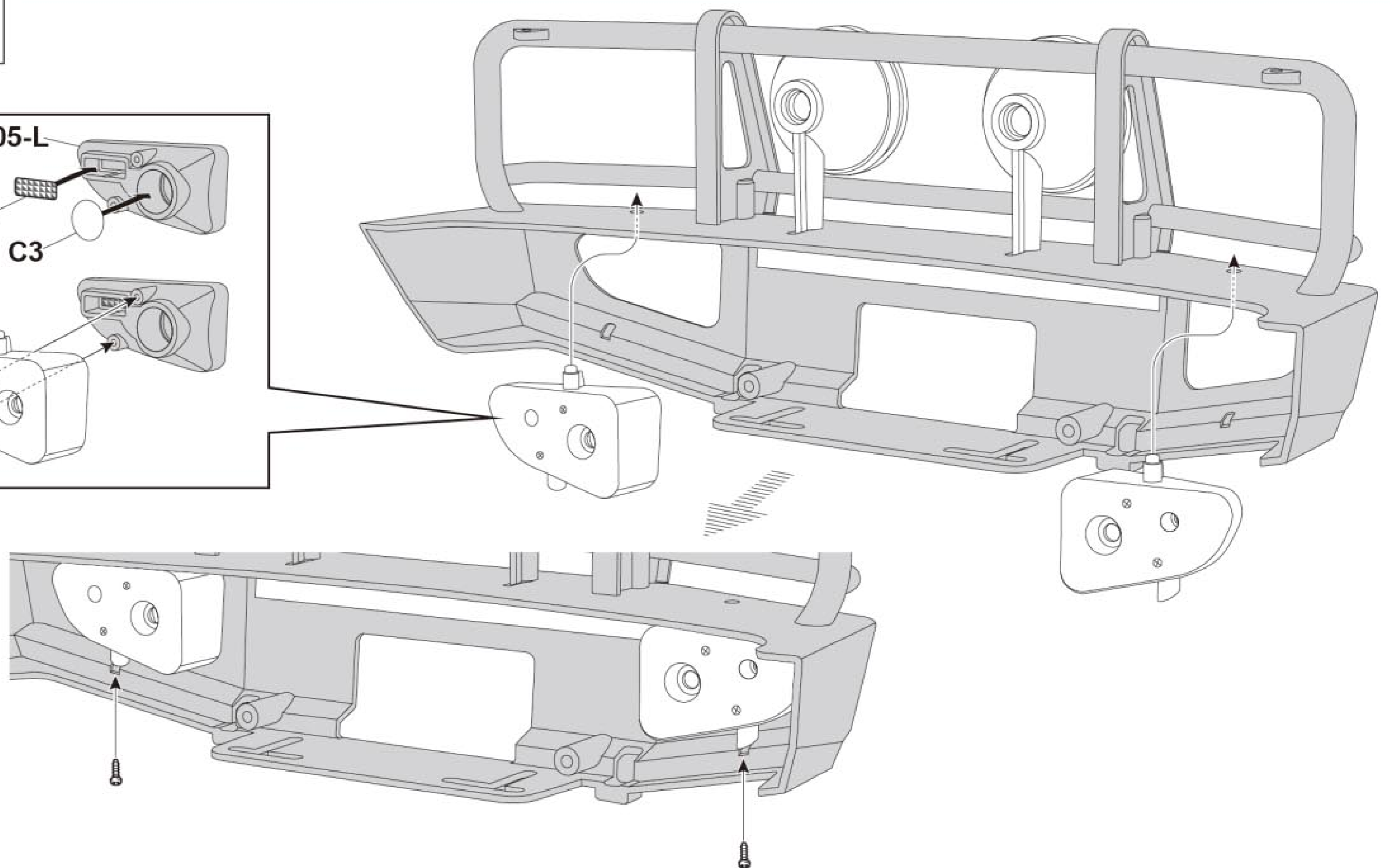
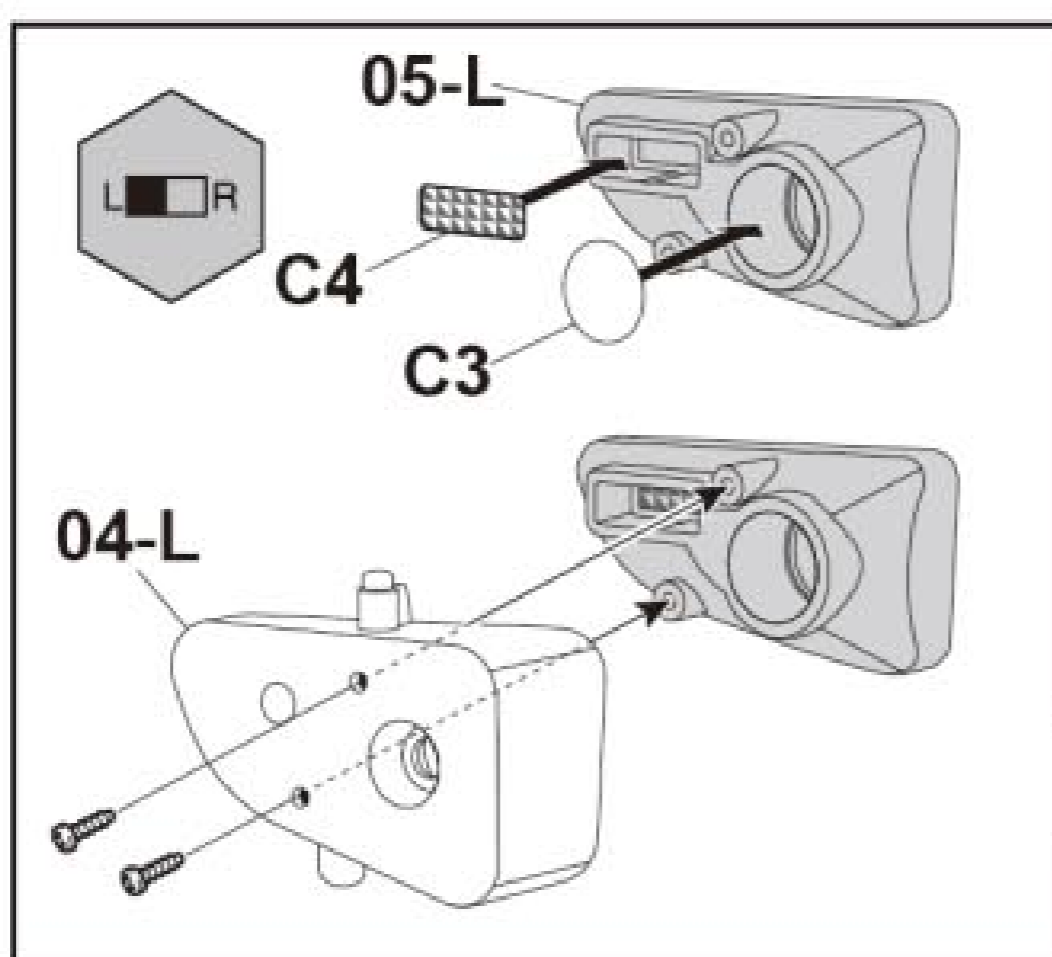
X2



4 Assembling

Screw 1.4X4mm

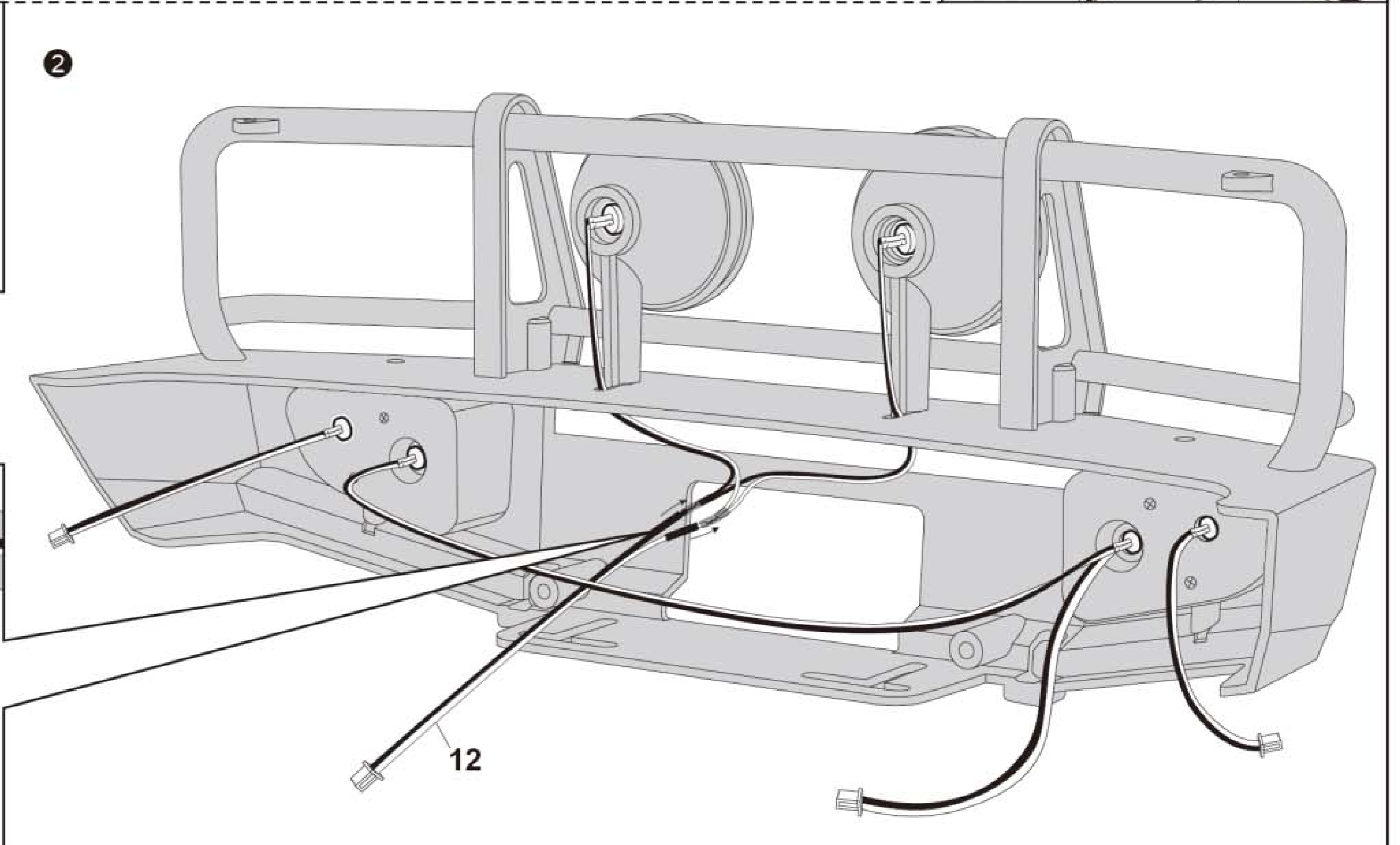
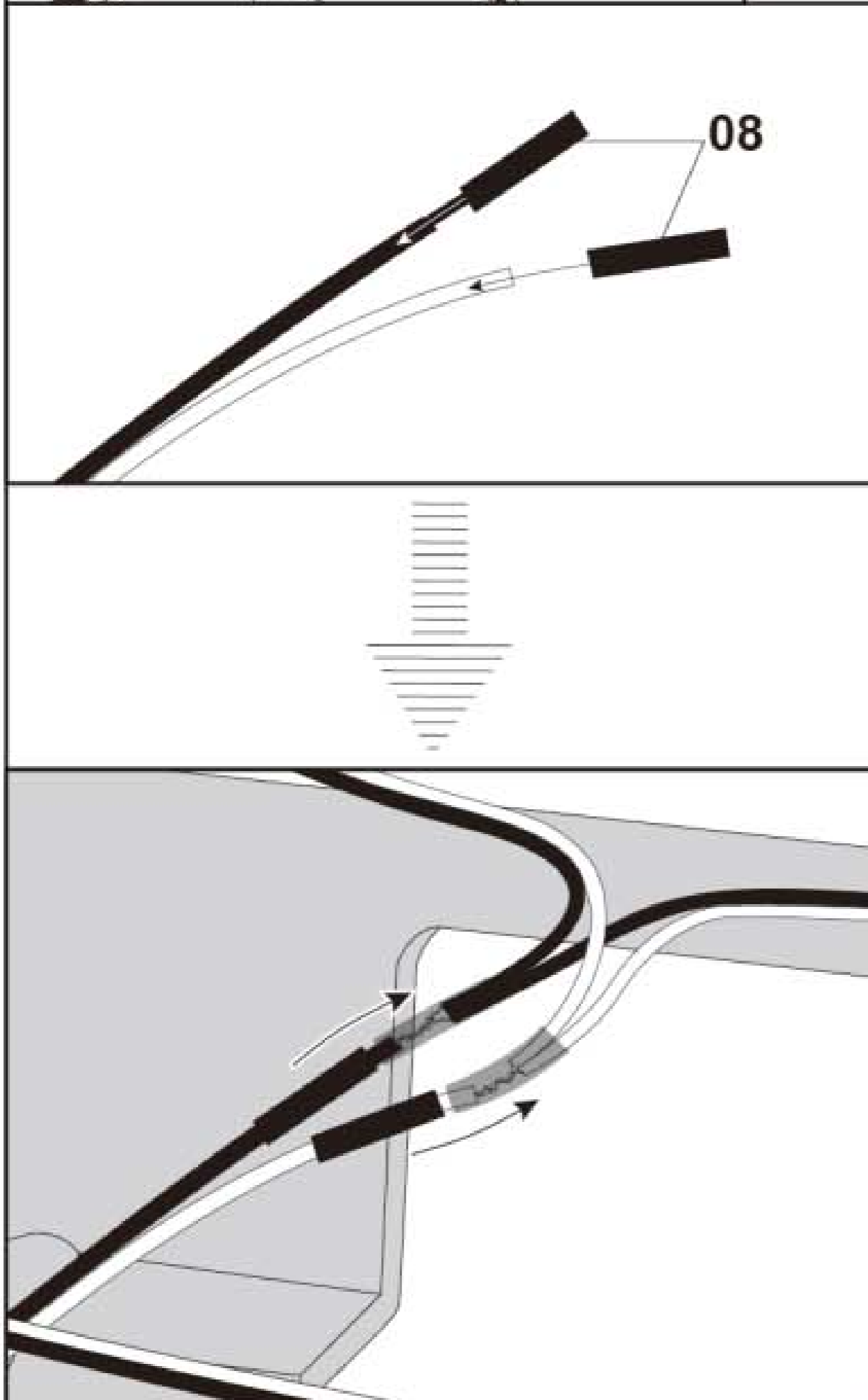
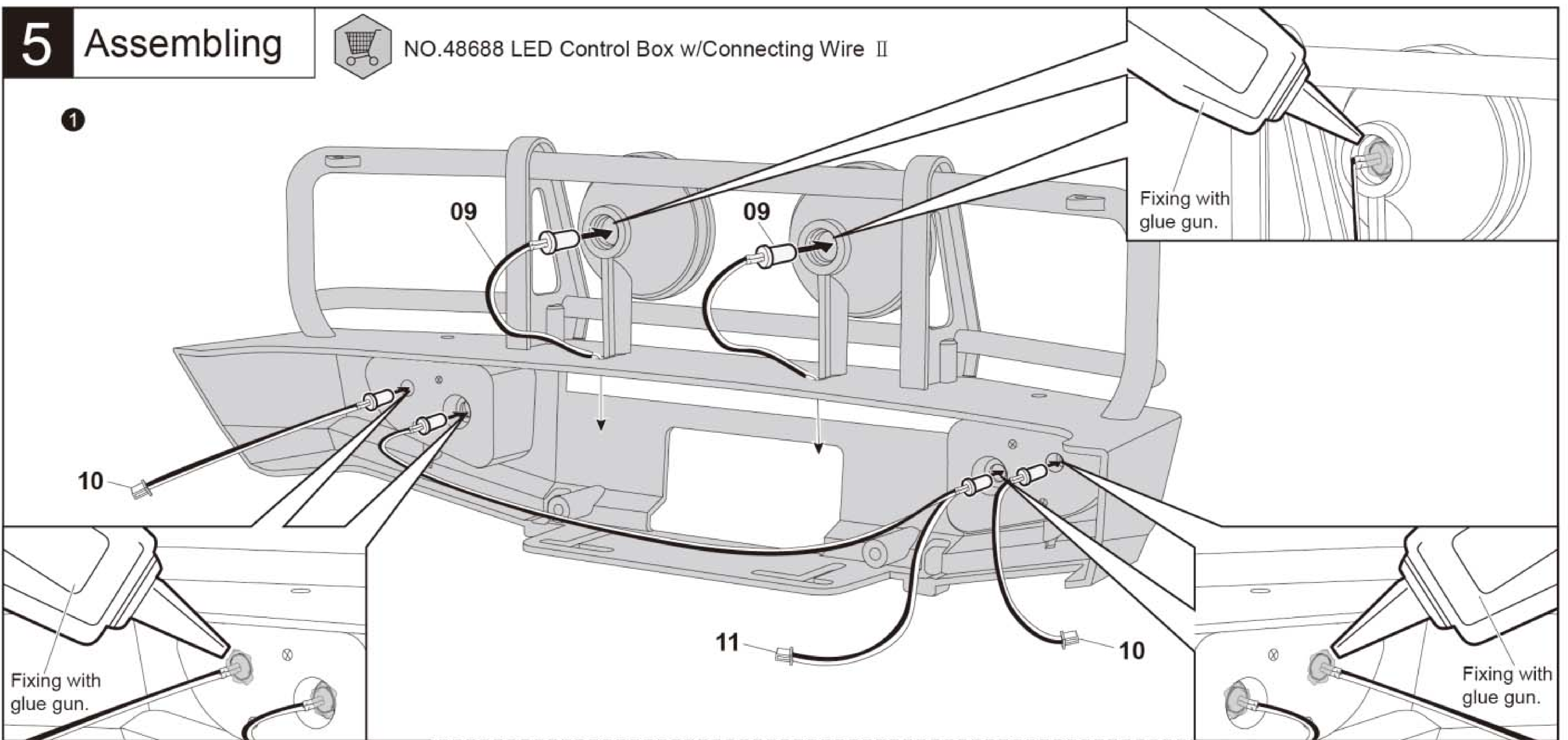
X6



5 Assembling

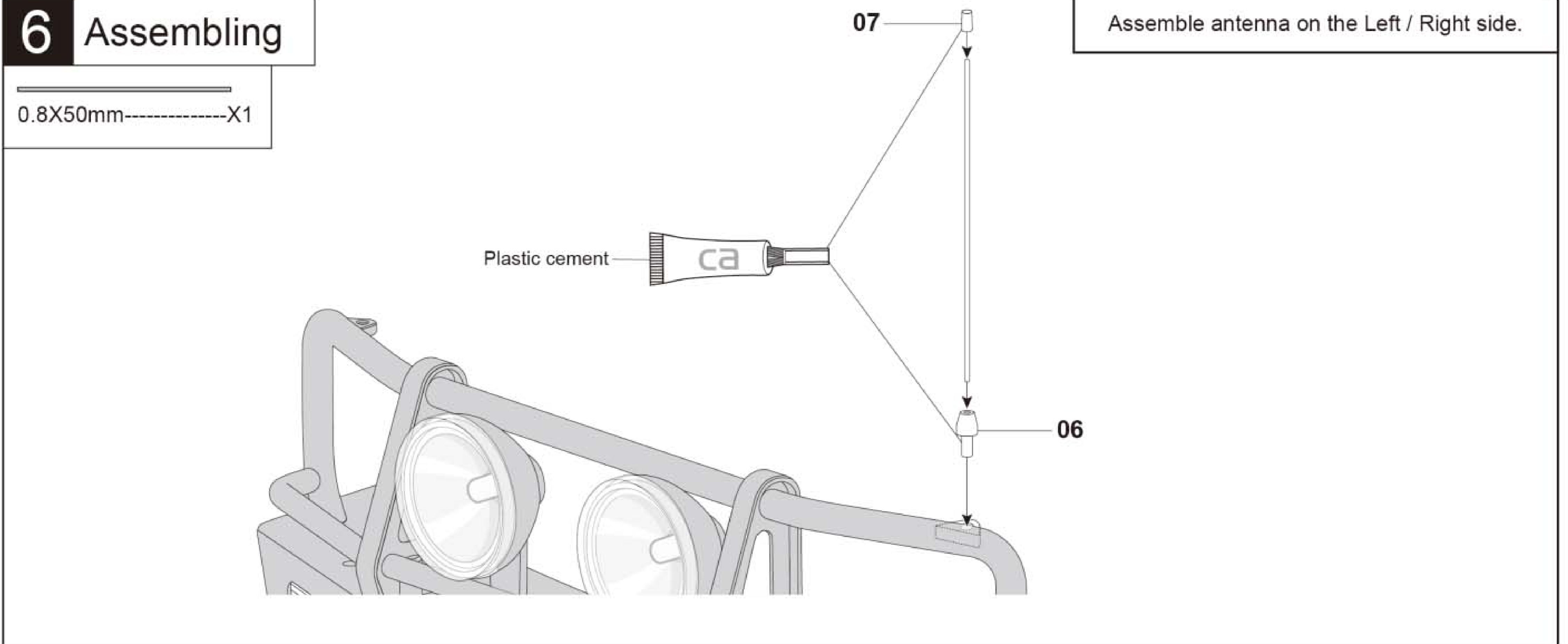


NO.48688 LED Control Box w/Connecting Wire II

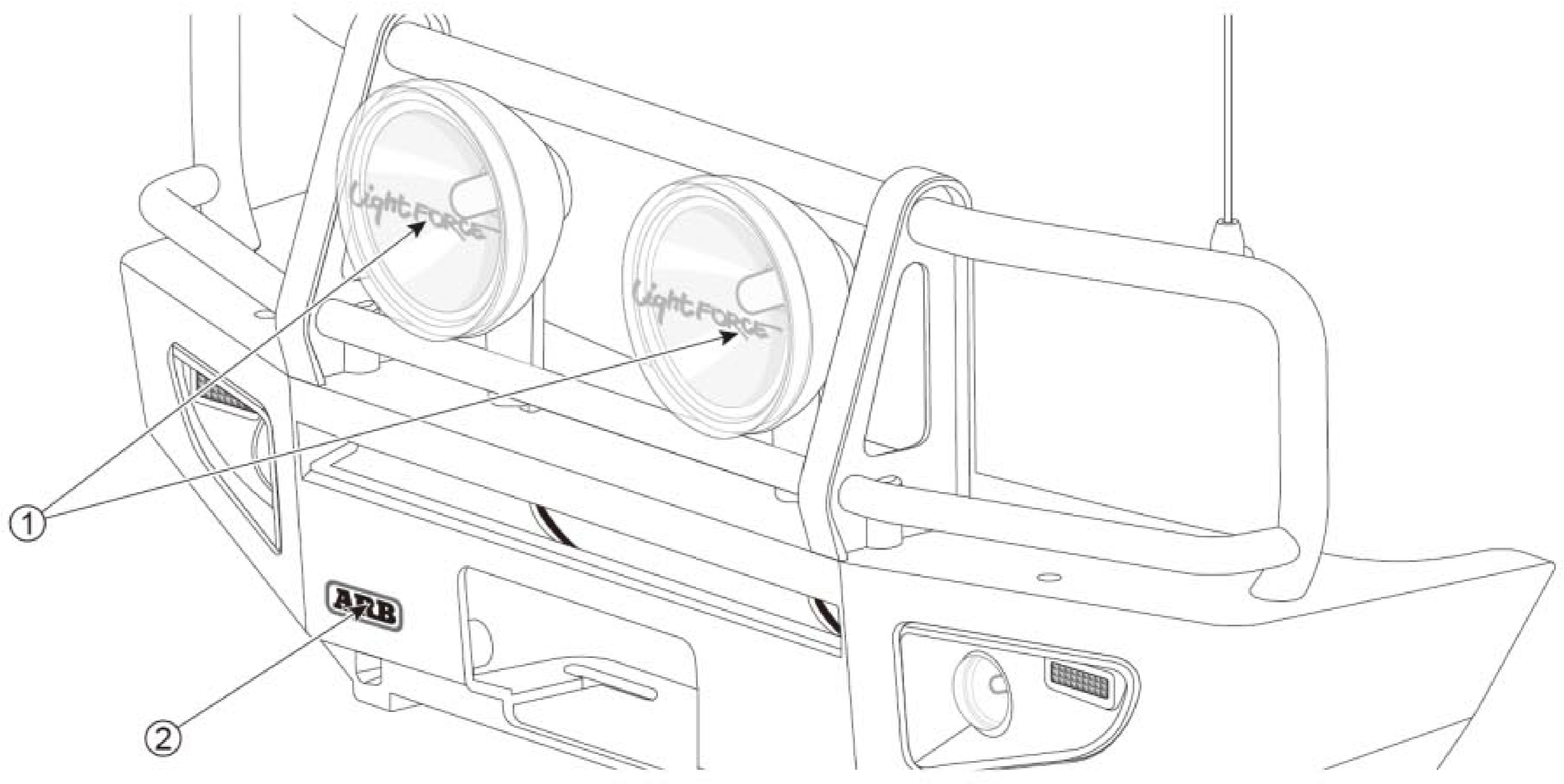
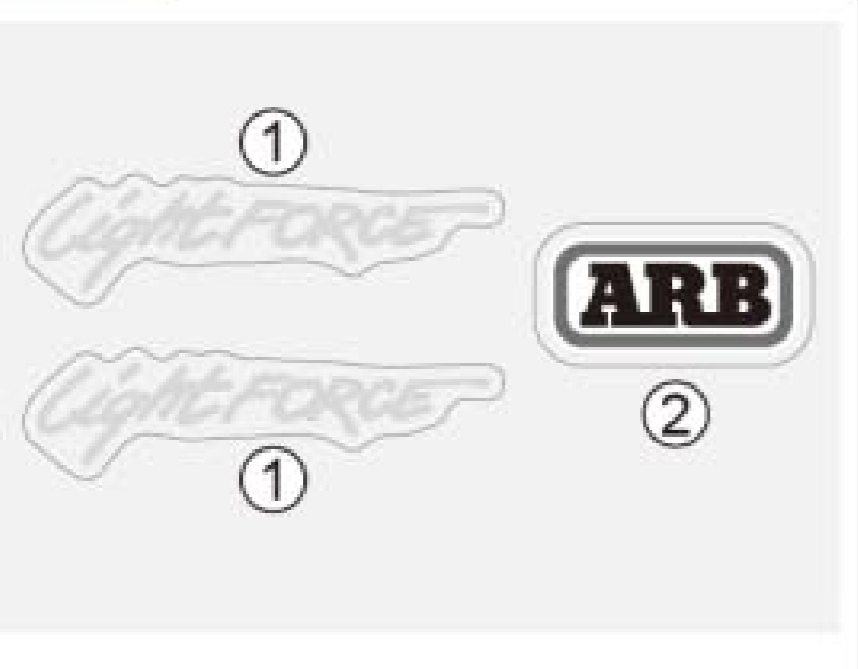


6 Assembling

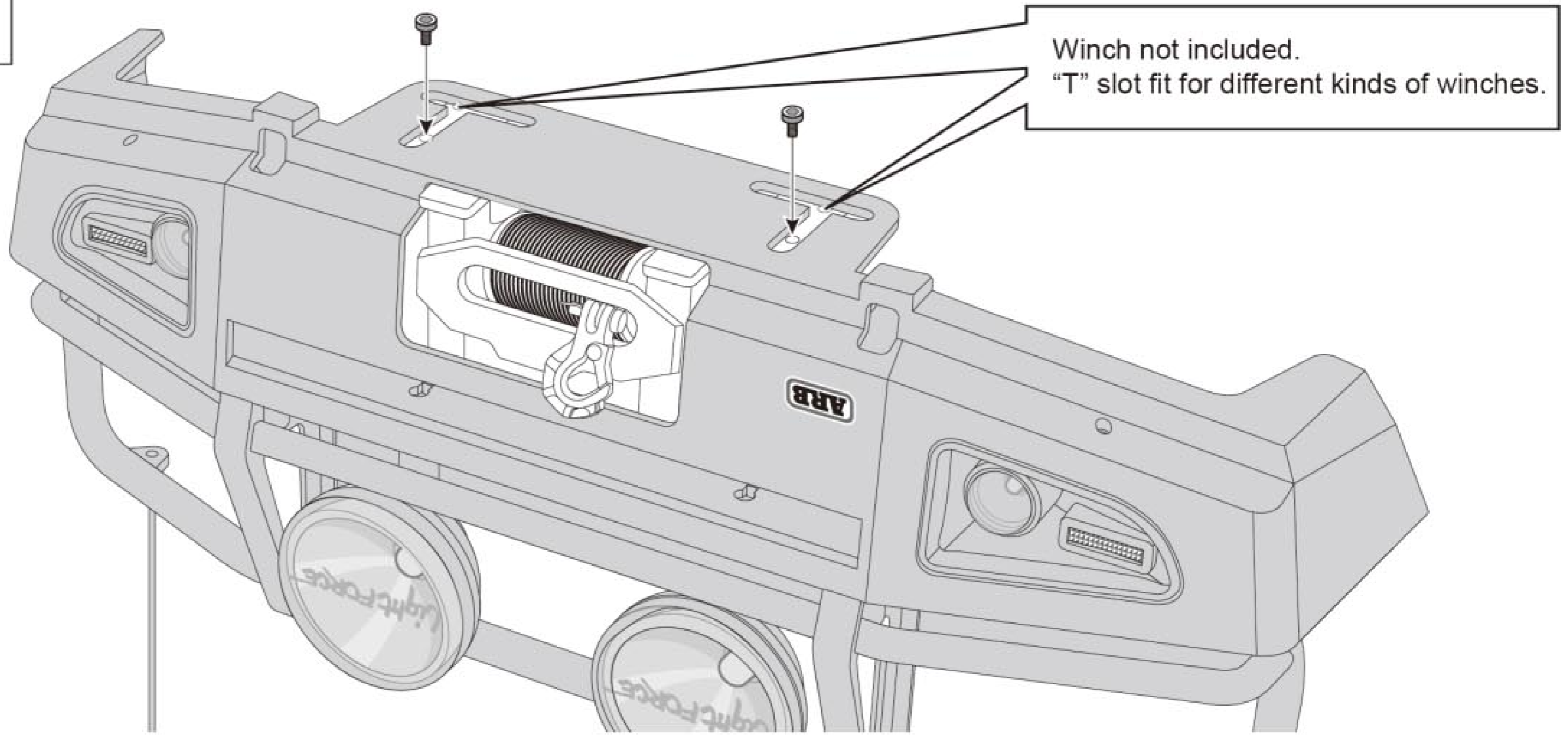
0.8X50mm-----X1



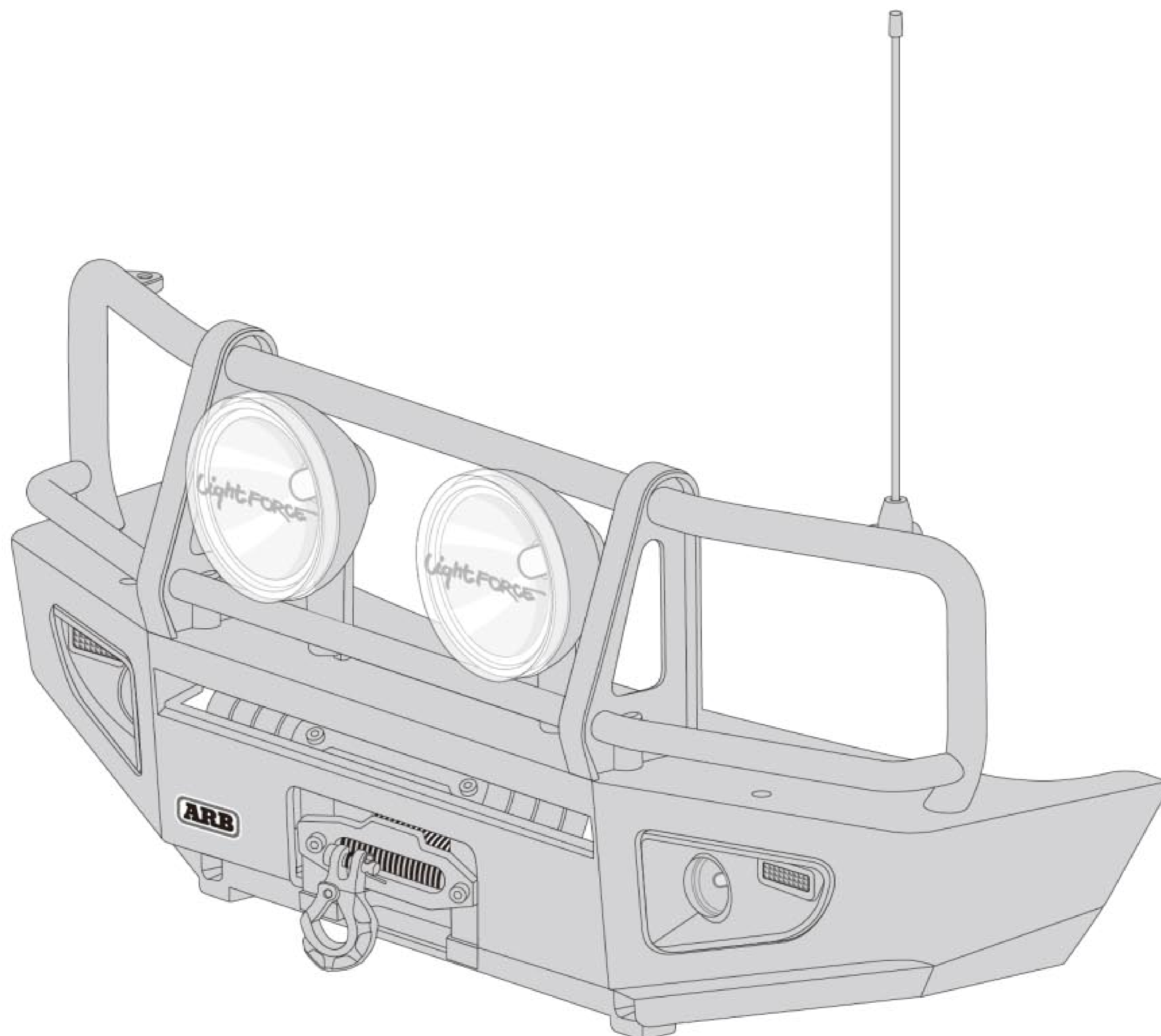
7 Decal



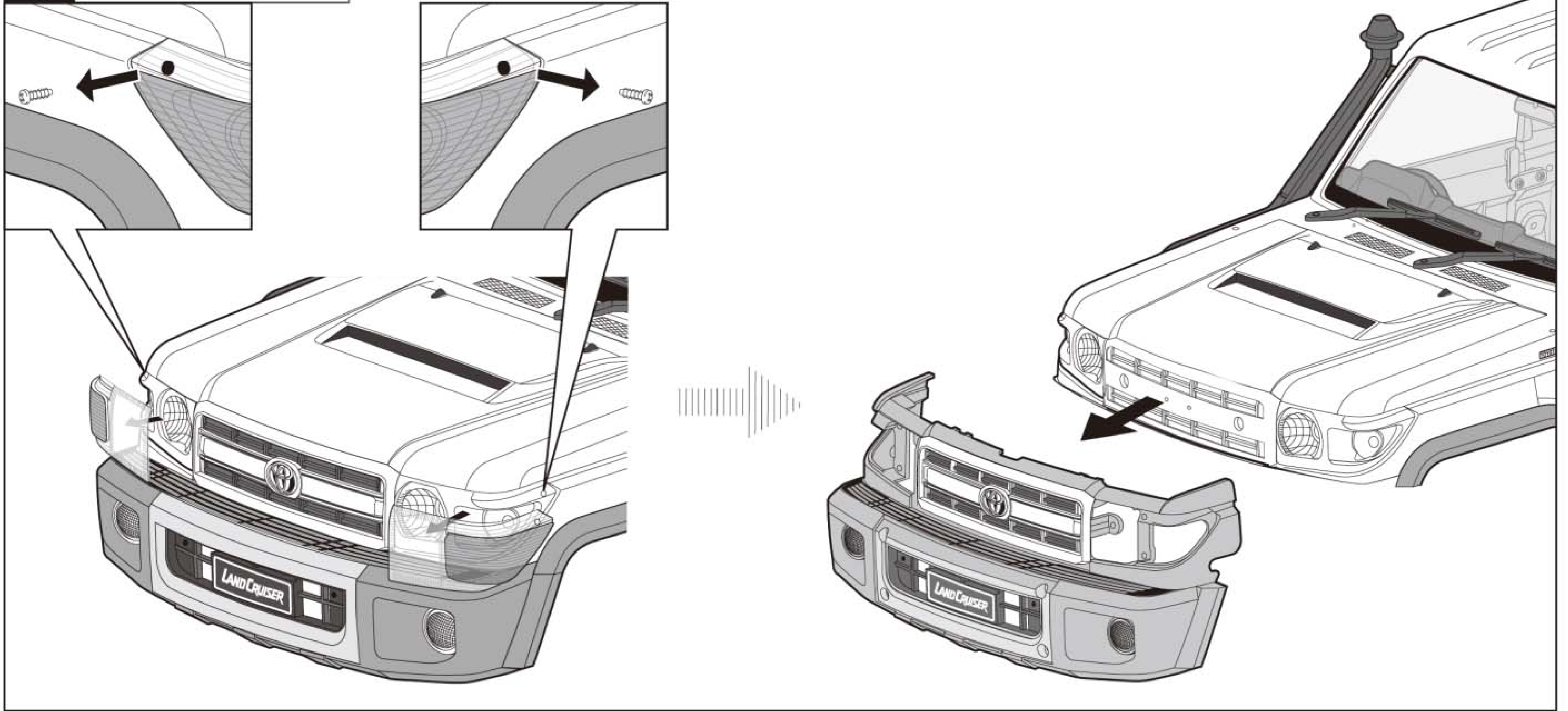
8 Assembling



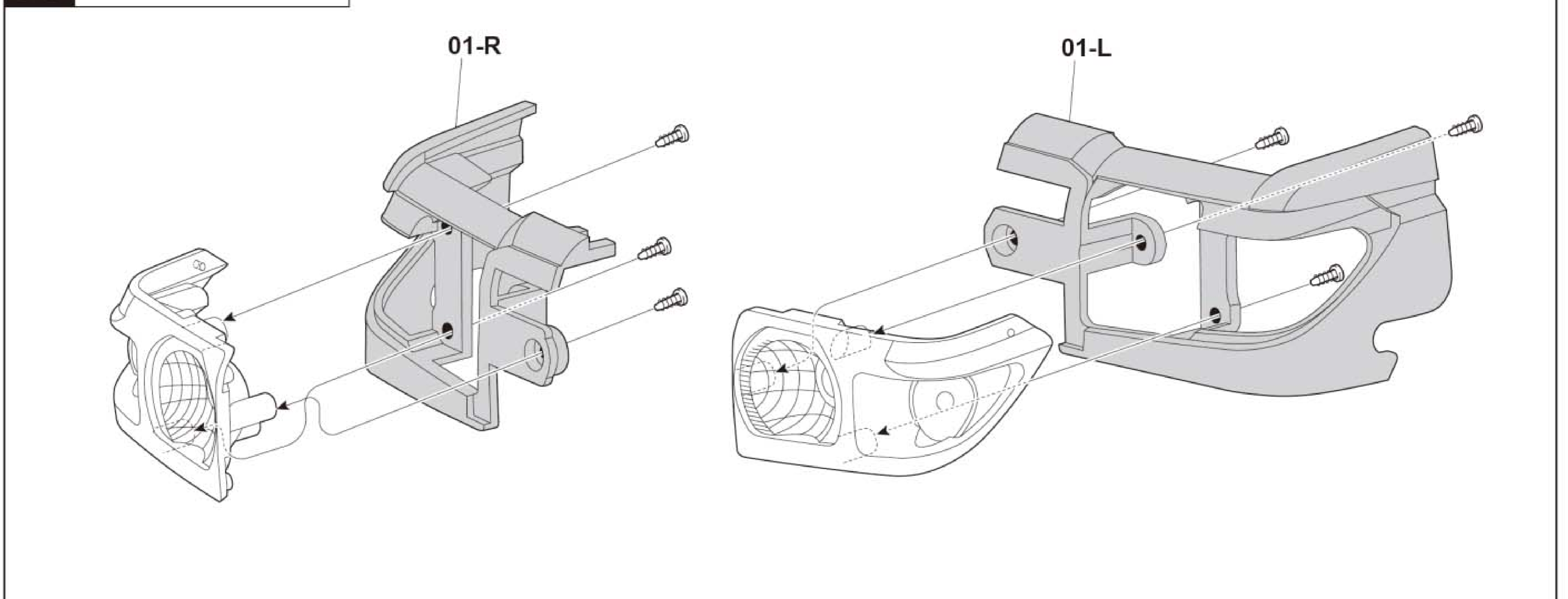
9 Finished



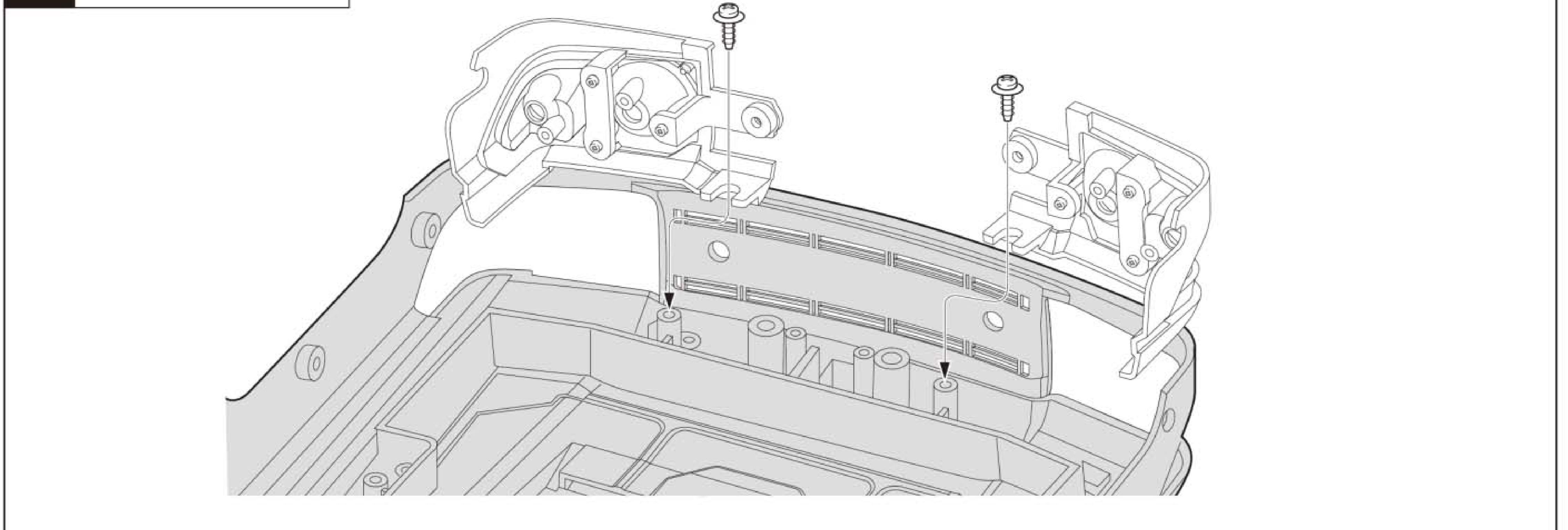
10 Disassembling



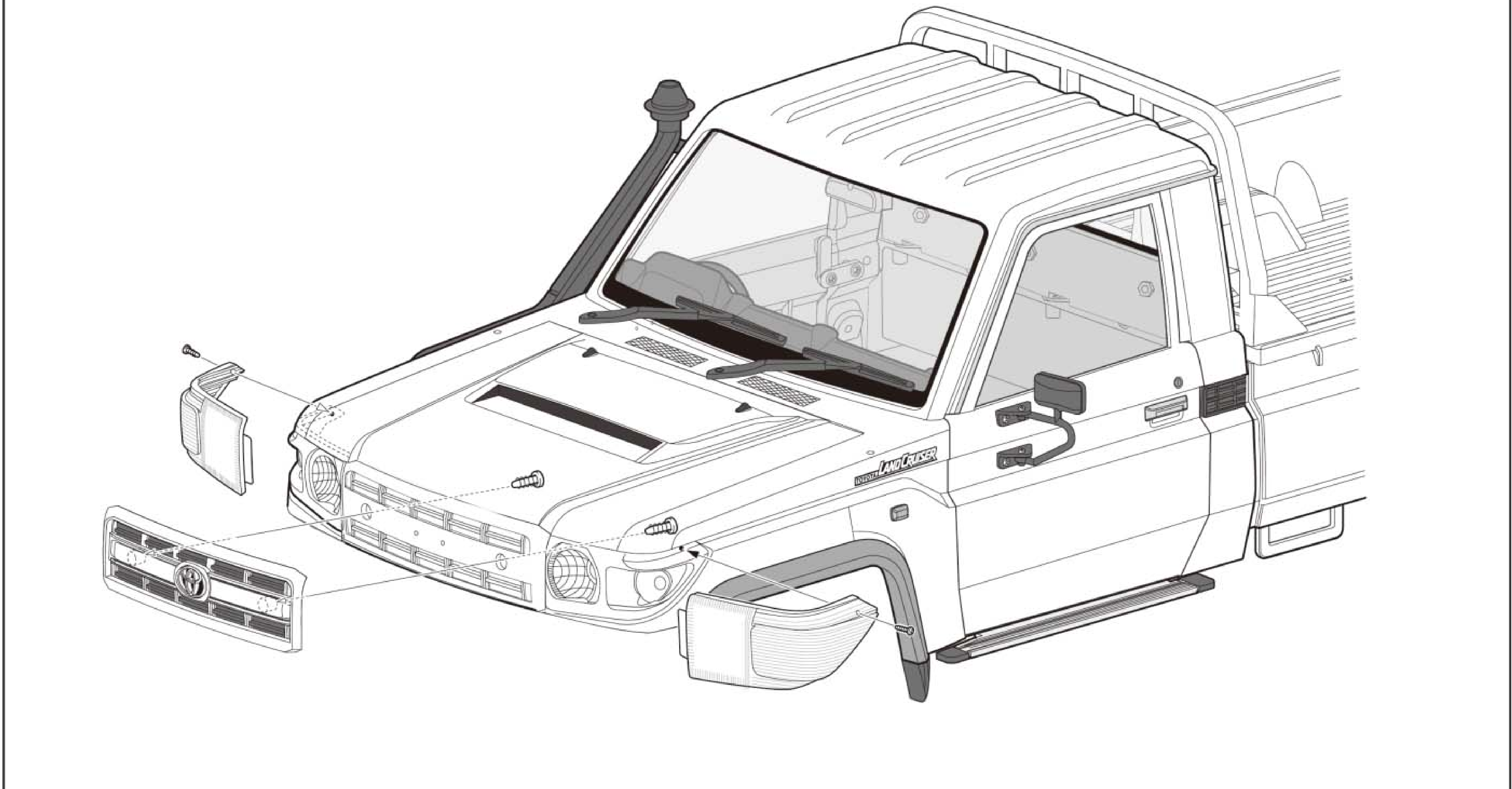
11 Assembling



12 Assembling




13 Assembling



Upgrade Parts

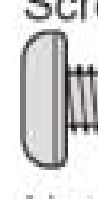

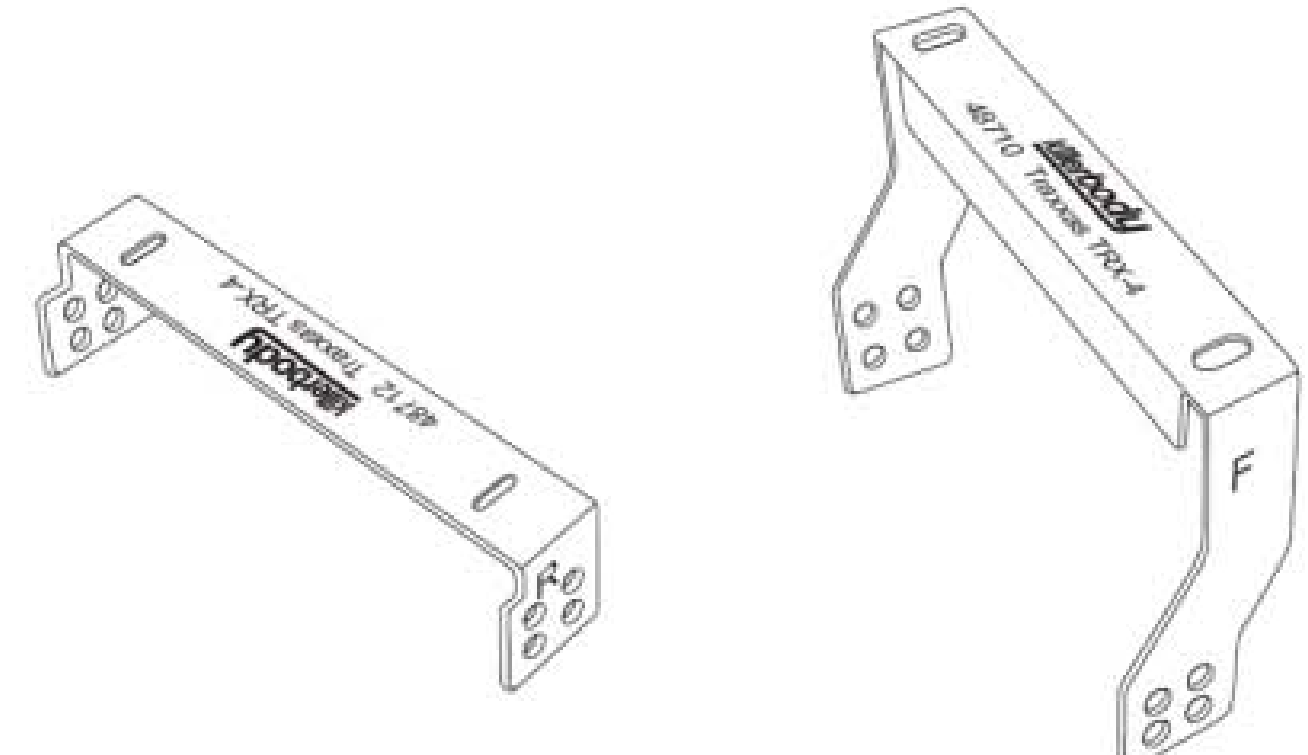




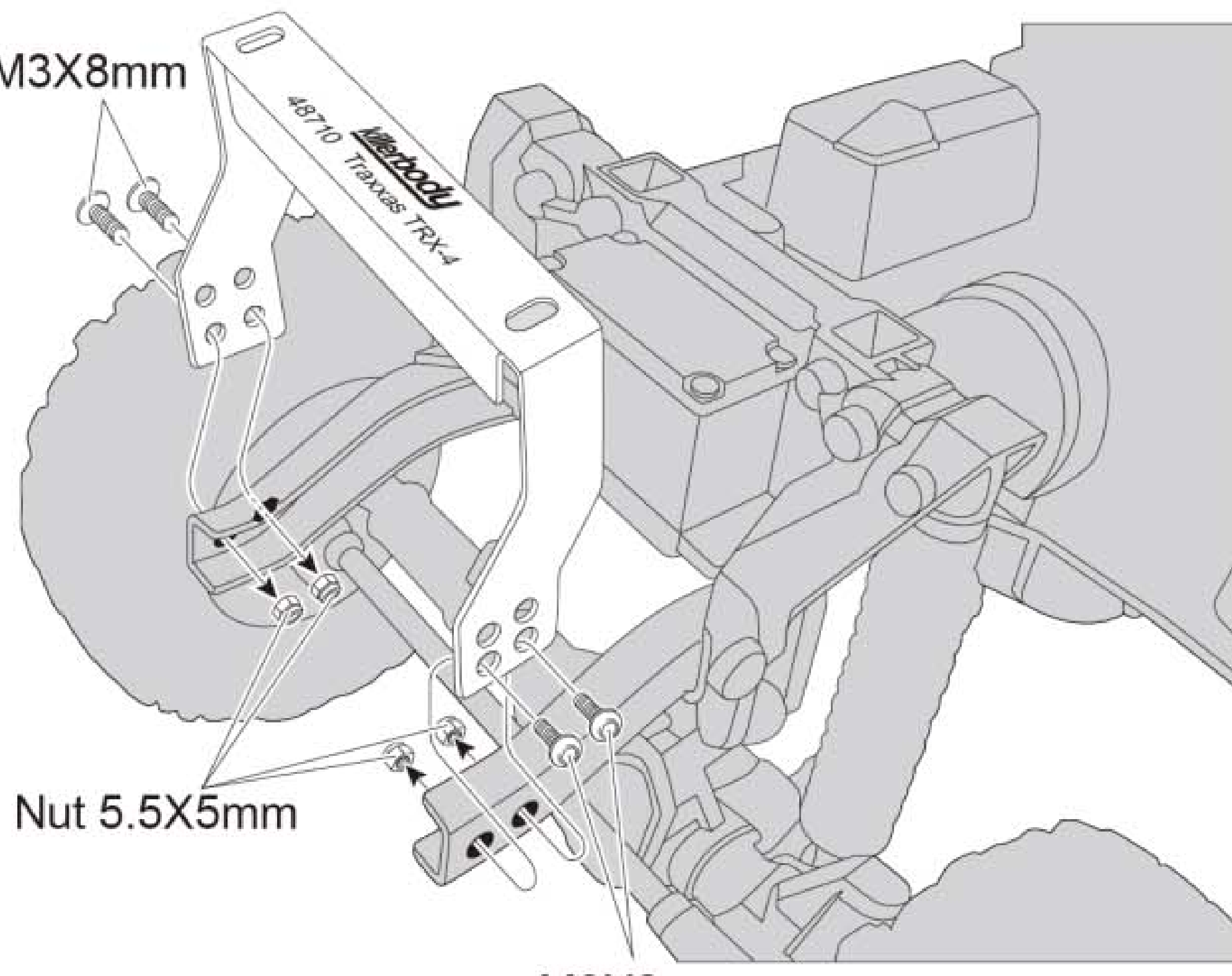
NO. 48710

Installation Mounting Stainless Steel
(1/10 Toyota Land Cruiser 70)
Fit for Traxxas TRX-4 chassis

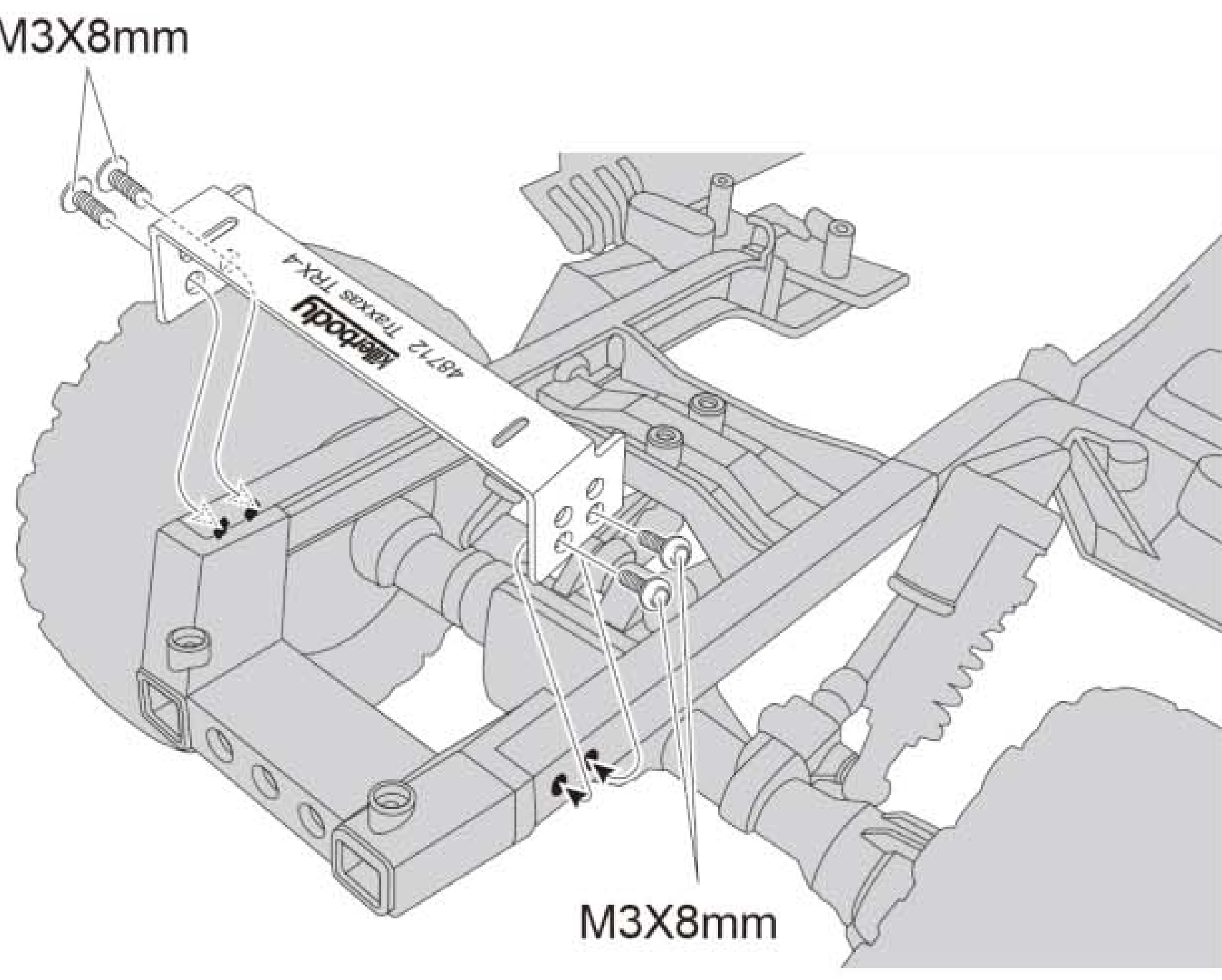
Optional hole-site for different heights.

<p>Screw M3X8mm -----X8</p> <p>Nut 5.5X5mm -----X4</p>	
--	---

<Front>



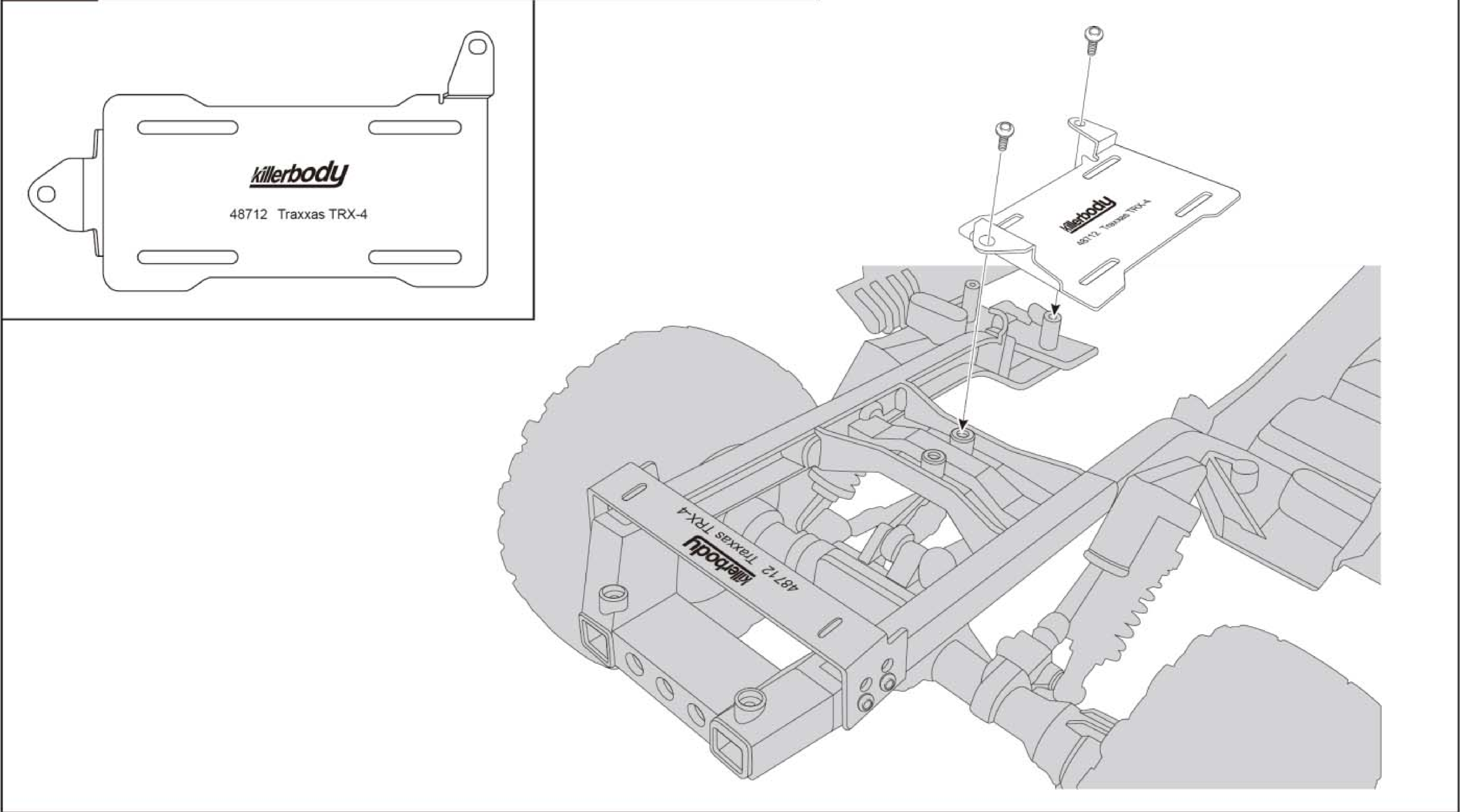
<Rear>





NO. 48712 Battery Holder Stainless Steel (Rear battery)
Fit for Traxxas TRX-4 chassis

Optional hole-site for different heights.



NO. 48713 Bumper Connecting Parts (Stainless Steel)
Fit for Traxxas TRX-4 chassis 4.53" - 4.72" Tire
Fit for KB48710 Installation Mounting Stainless Steel

Optional hole-site for different heights.

