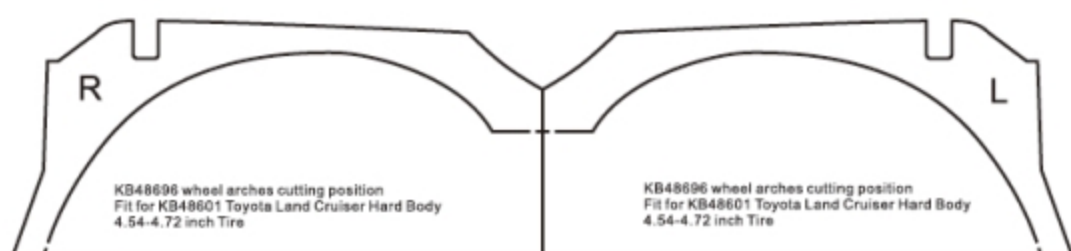
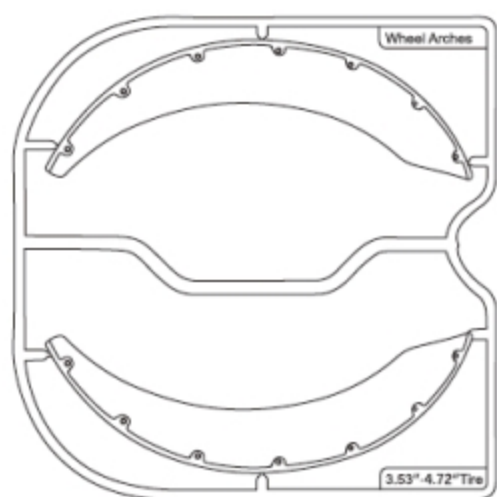
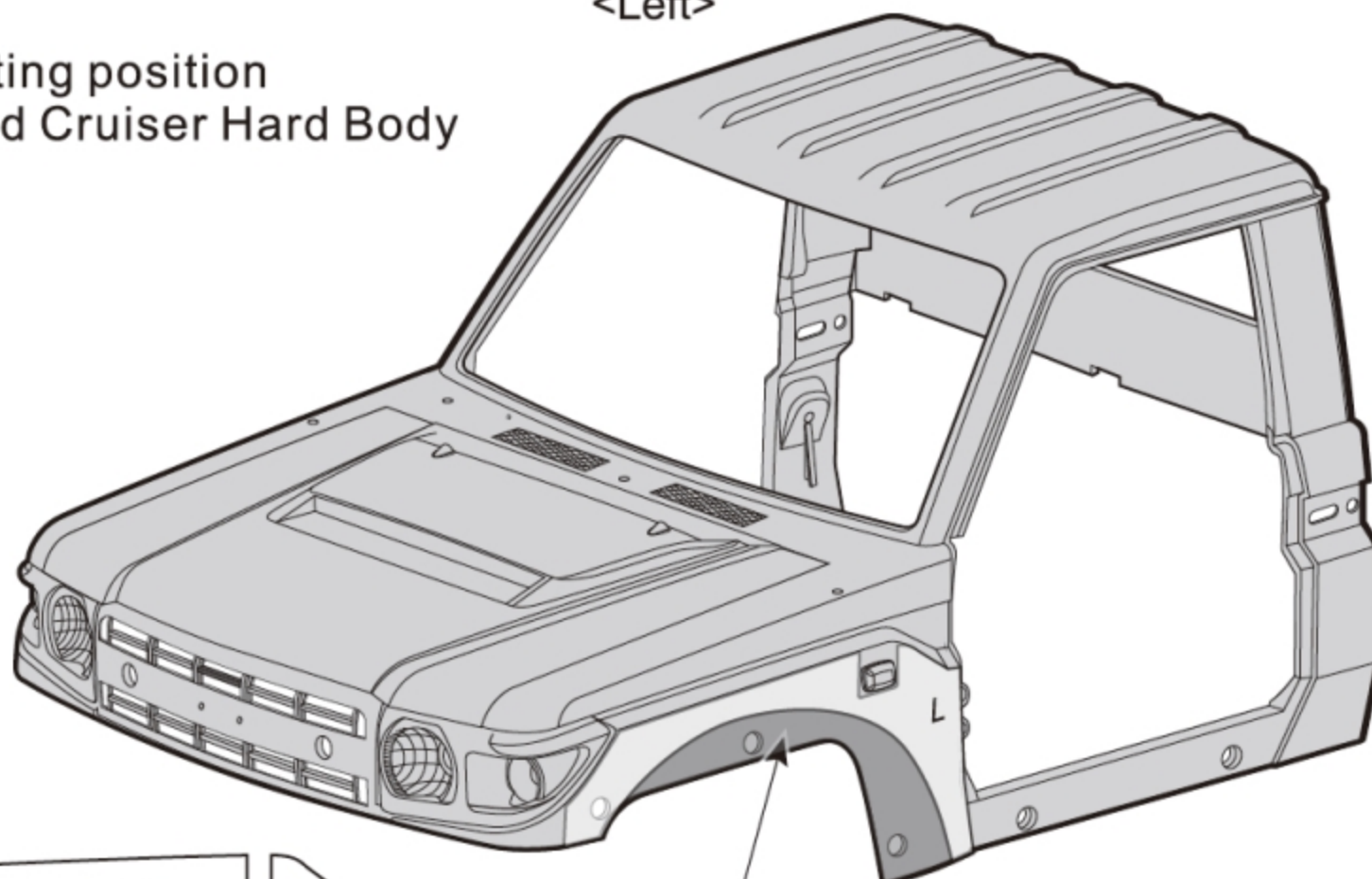


1 Cutting

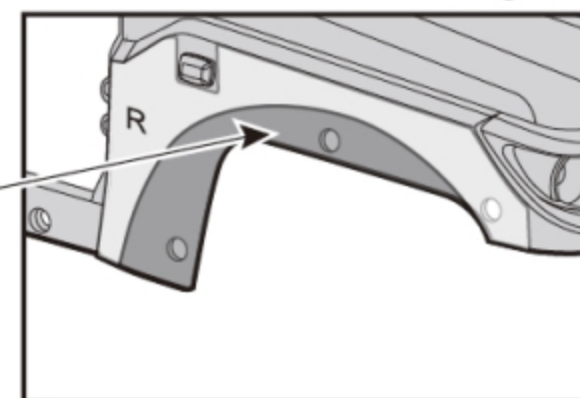
KB48696 wheel arches cutting position
Fit for KB48601 Toyota Land Cruiser Hard Body
4.54-4.72 inch Tire



<Left>



<Right>



This cutting position just for reference,
cut according to your wheel arches.

2 Assembling

Screw 1.4X4mm

----- X14

