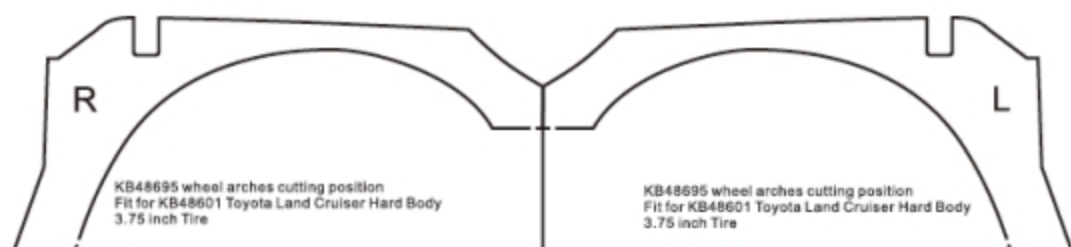
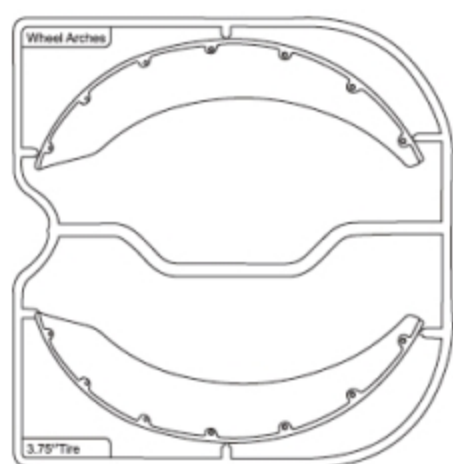


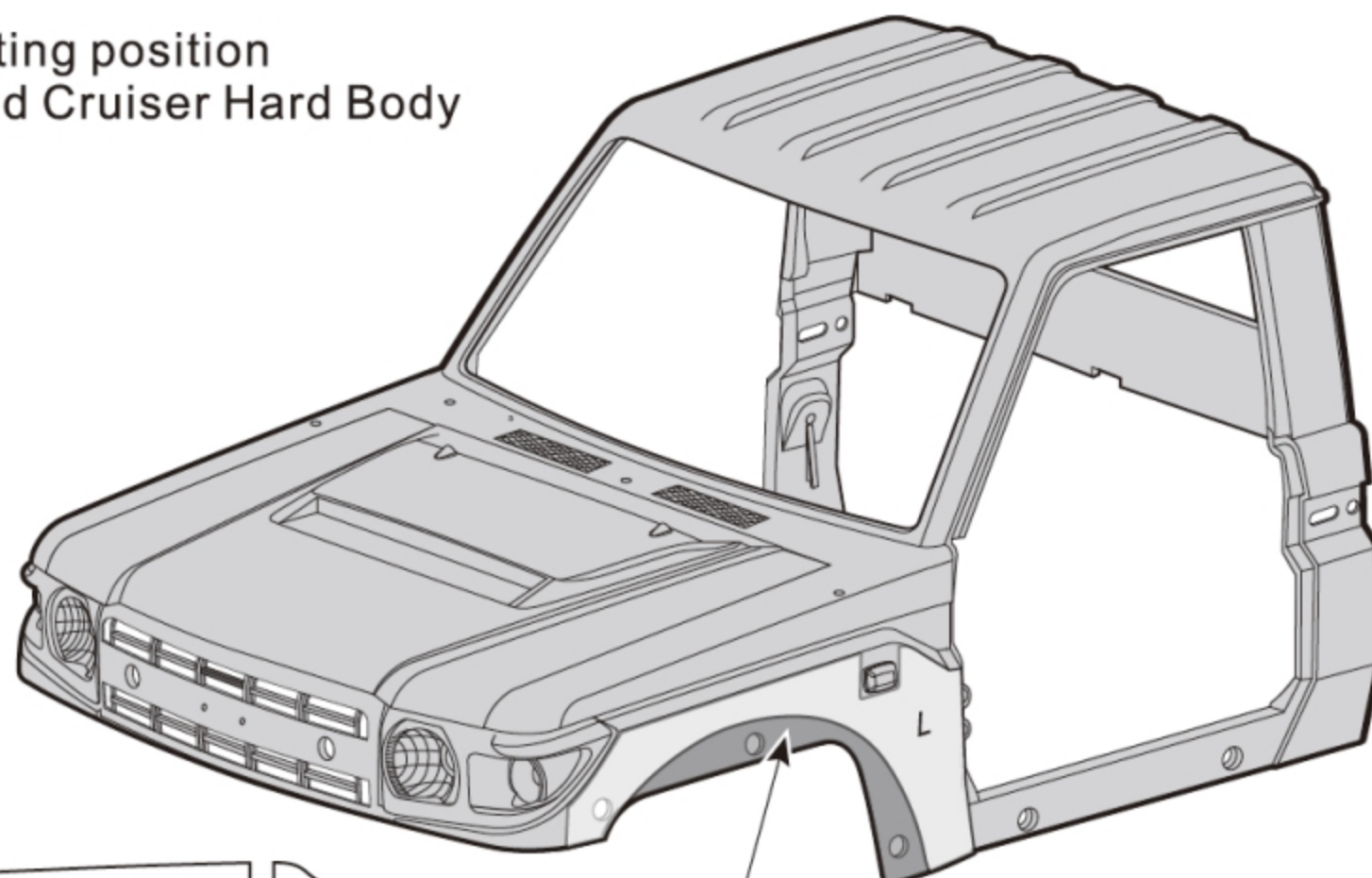
## 1 Cutting

KB48695 wheel arches cutting position  
Fit for KB48601 Toyota Land Cruiser Hard Body  
3.75 inch Tire

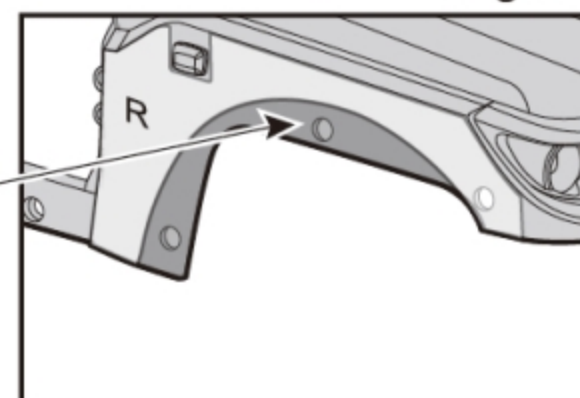


This cutting position just for reference,  
cut according to your wheel arches.

<Left>



<Right>



## 2 Assembling

Screw 1.4X4mm

----- X14

