

killerbody™

1/10 Alloy Bumper w/LEDS Upgrade Sets

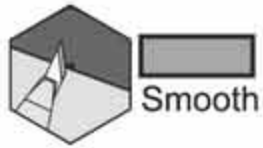
Fit for 1/10 Truck and SUV

NO.48669 Silver-grey

NO.48689 Matt-black

Before beginning assembly, please read these instructions thoroughly!

● Symbols used throughout the instruction manual, comprise:



Smooth rough edge.



Remove.



Pay close attention here!



Must be purchased separately.



Assemble left and right sides the same way.

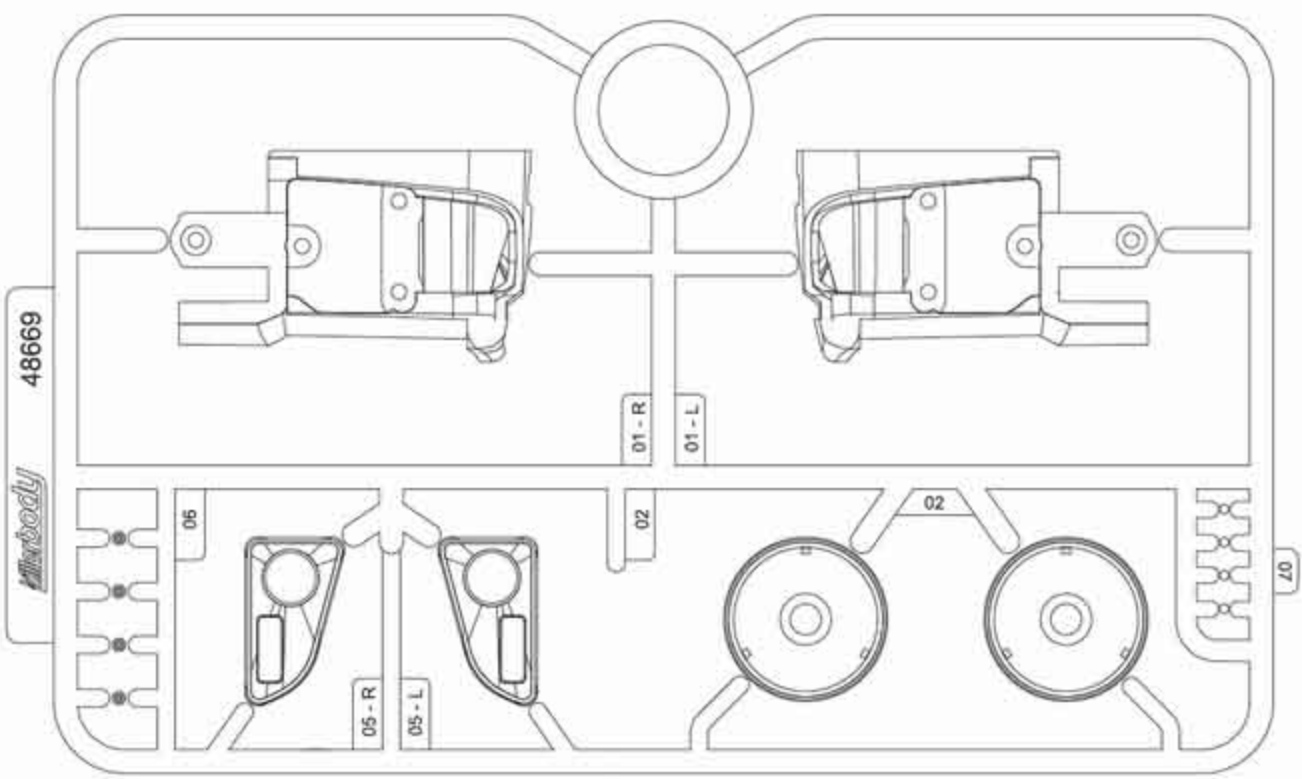


PARTS

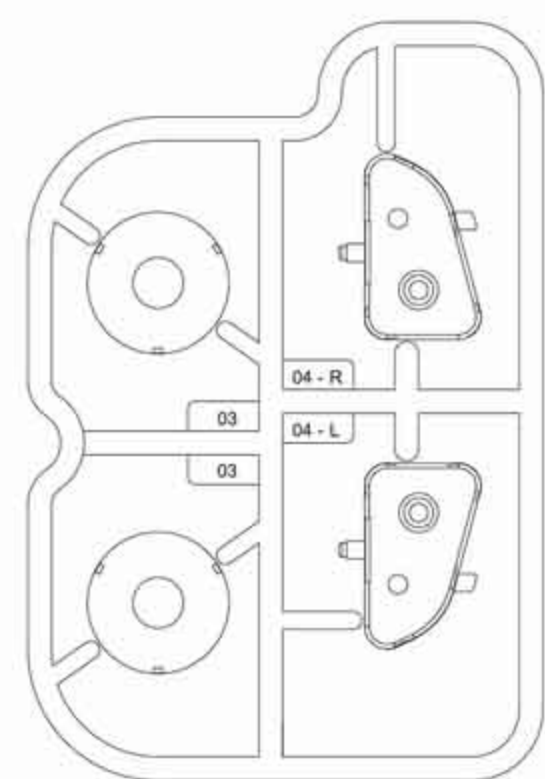
ABS parts ----- X1	Decal sheet ----- X1	Antenna ----- X3
ABS chromed parts ----- X1	LED lights unit ----- X1	Screw 1.4X4mm ----- X6
PC headlight lenses ----- X1	Alloy bumper ----- X1	Screw M2.5X8mm ----- x2

PLASTIC PARTS

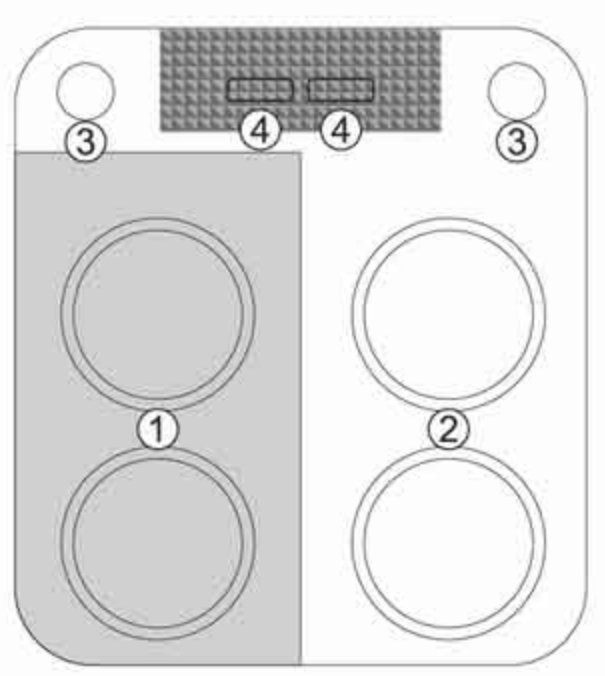
A ABS parts



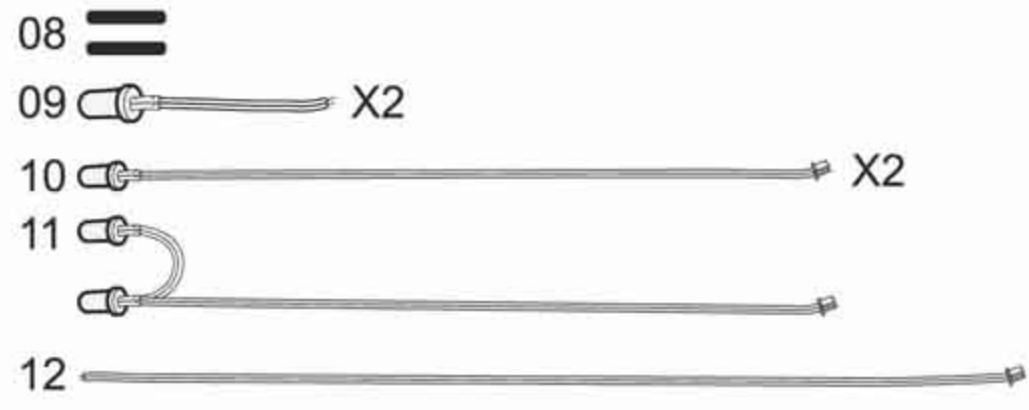
B Chromed parts



C PC headlight lenses



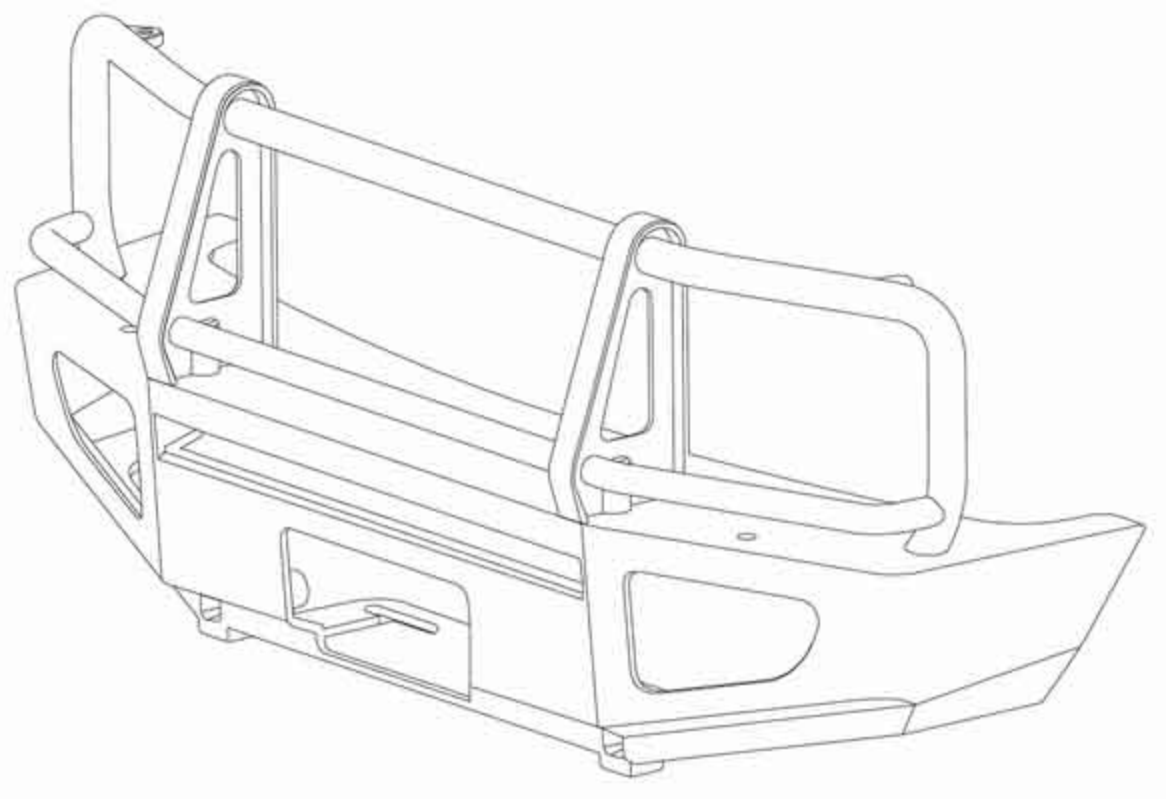
D LED lights unit



F Antenna



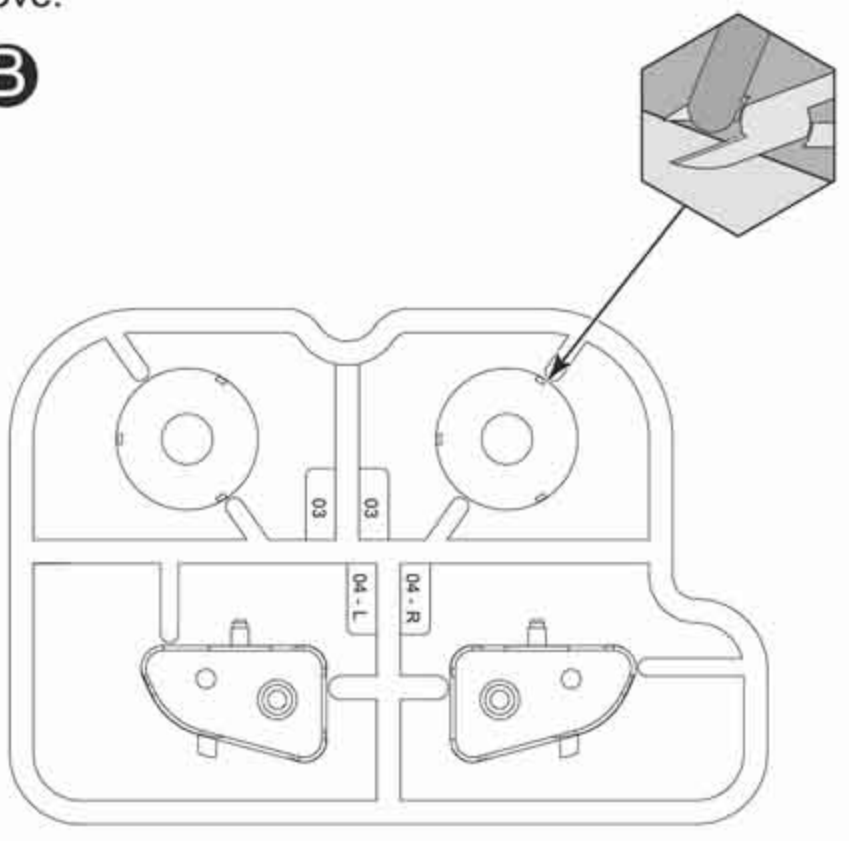
E Alloy bumper



1 Cutting

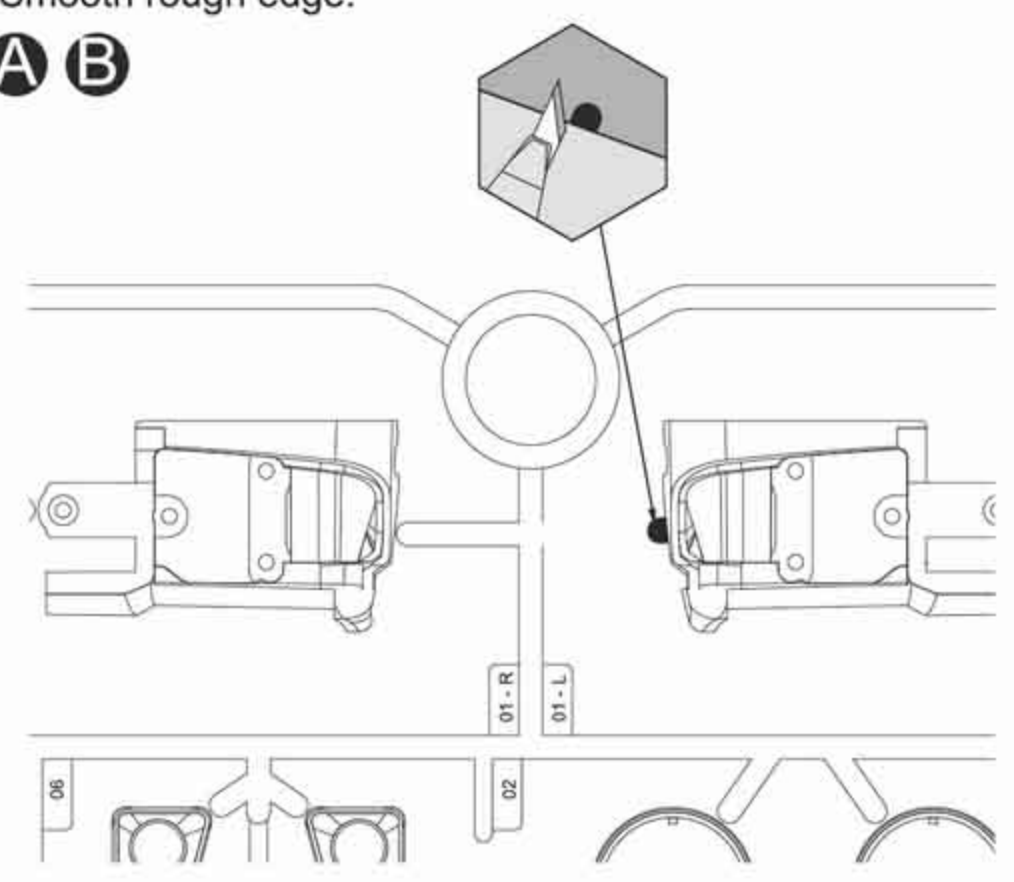
1 Remove.

A B



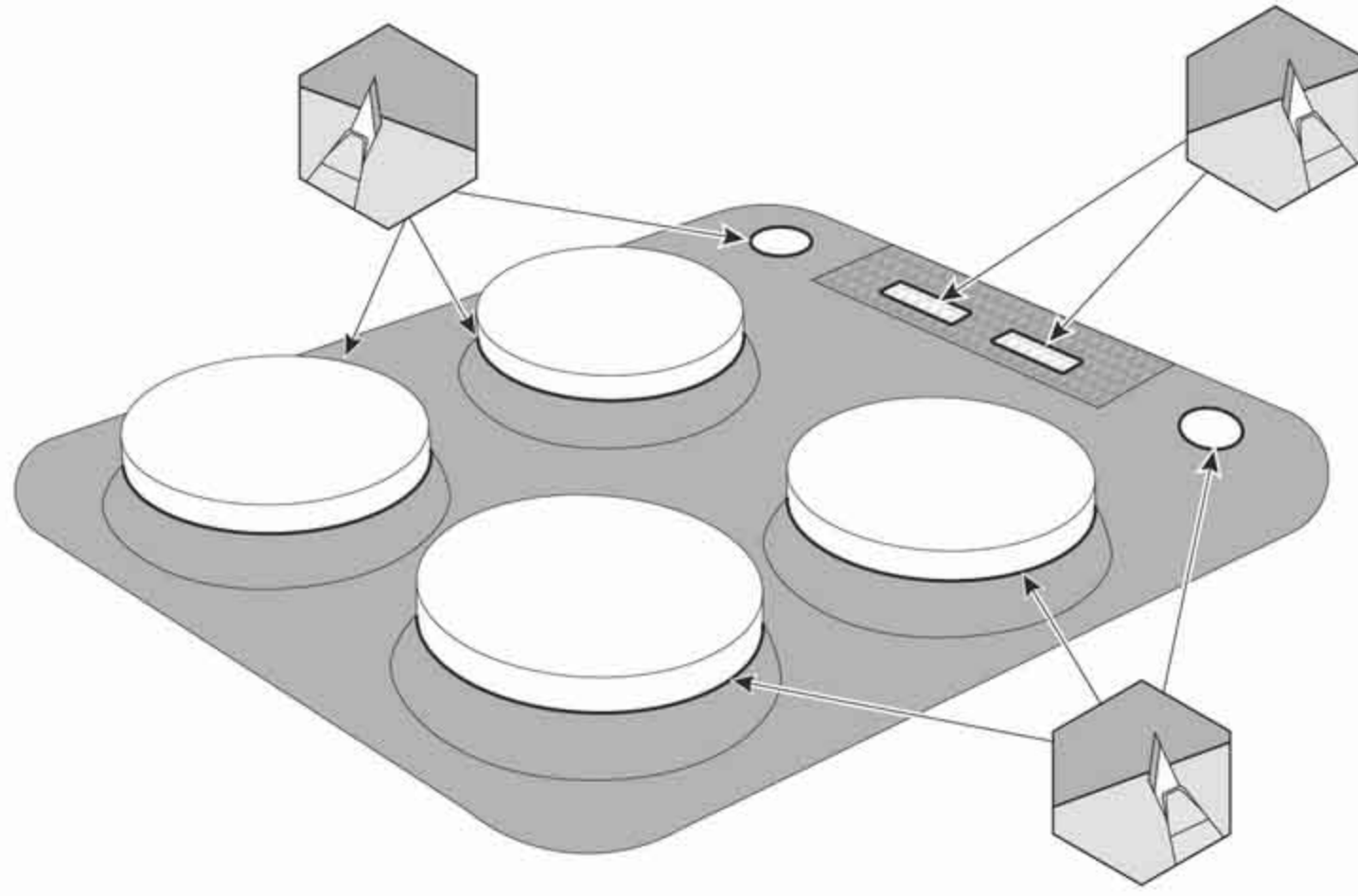
2 Smooth rough edge.

A B



2 Cutting

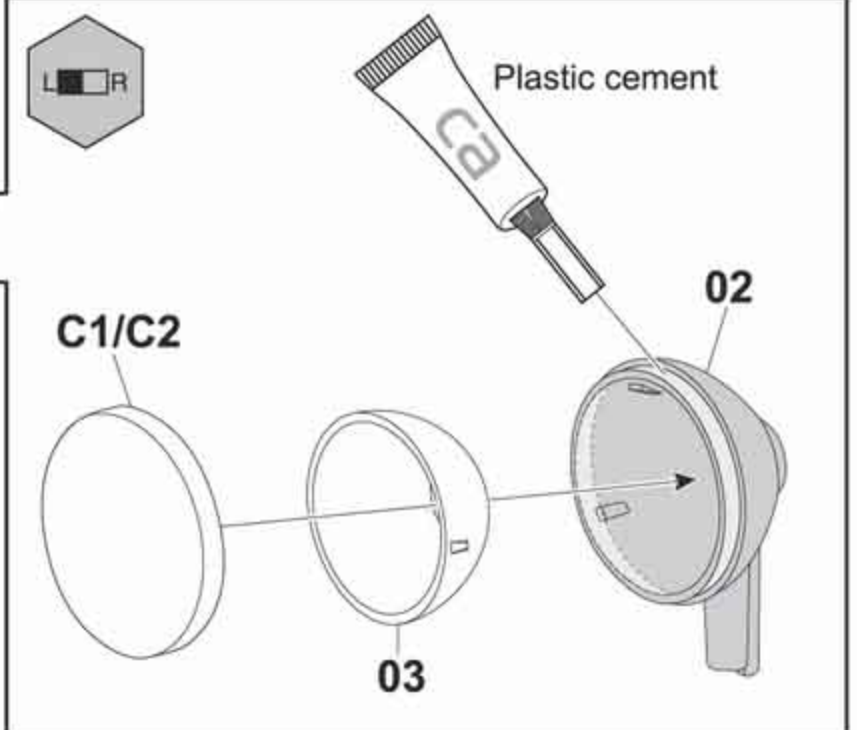
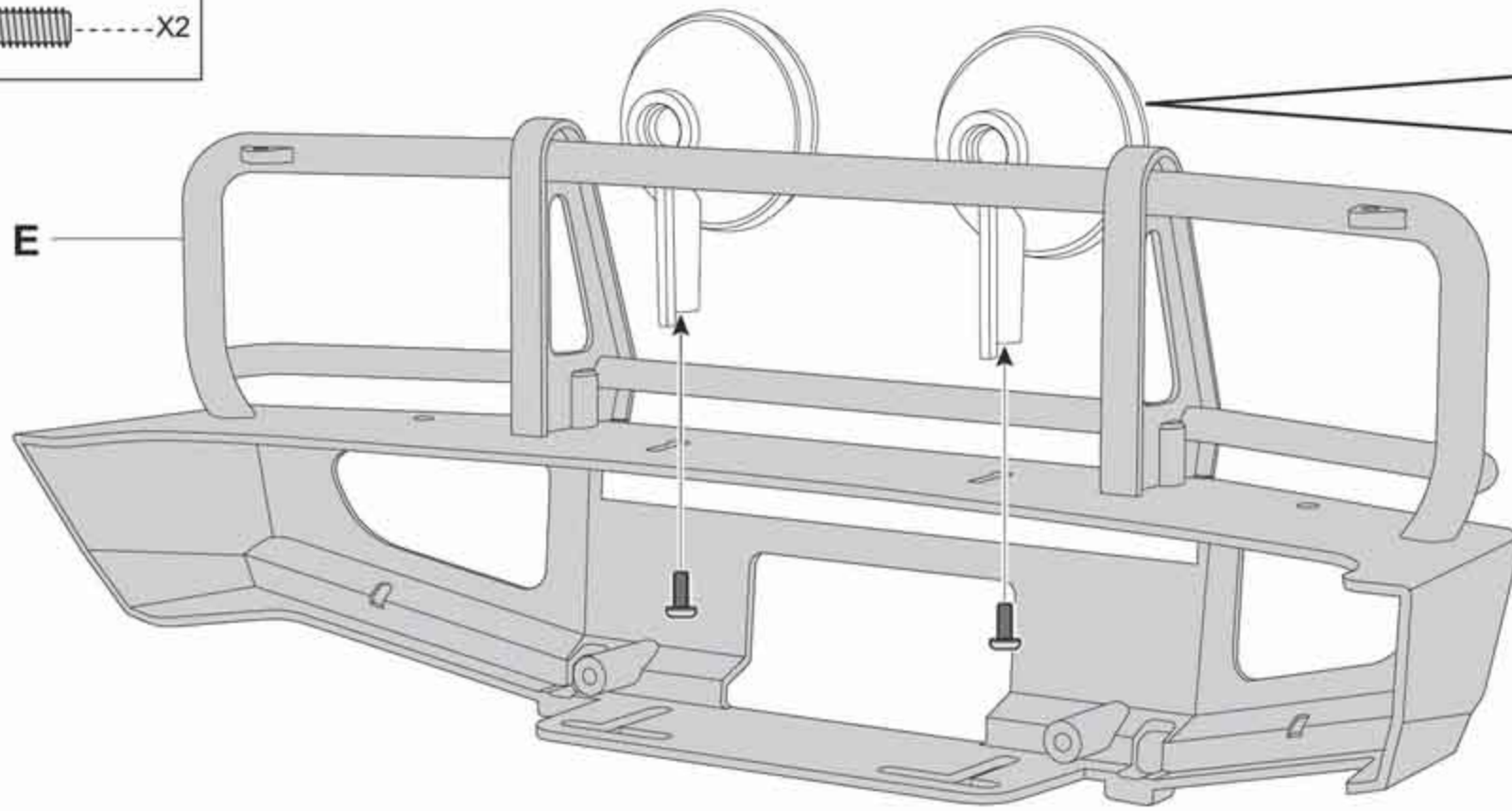
©



3 Assembling

Screw M2.5X8mm

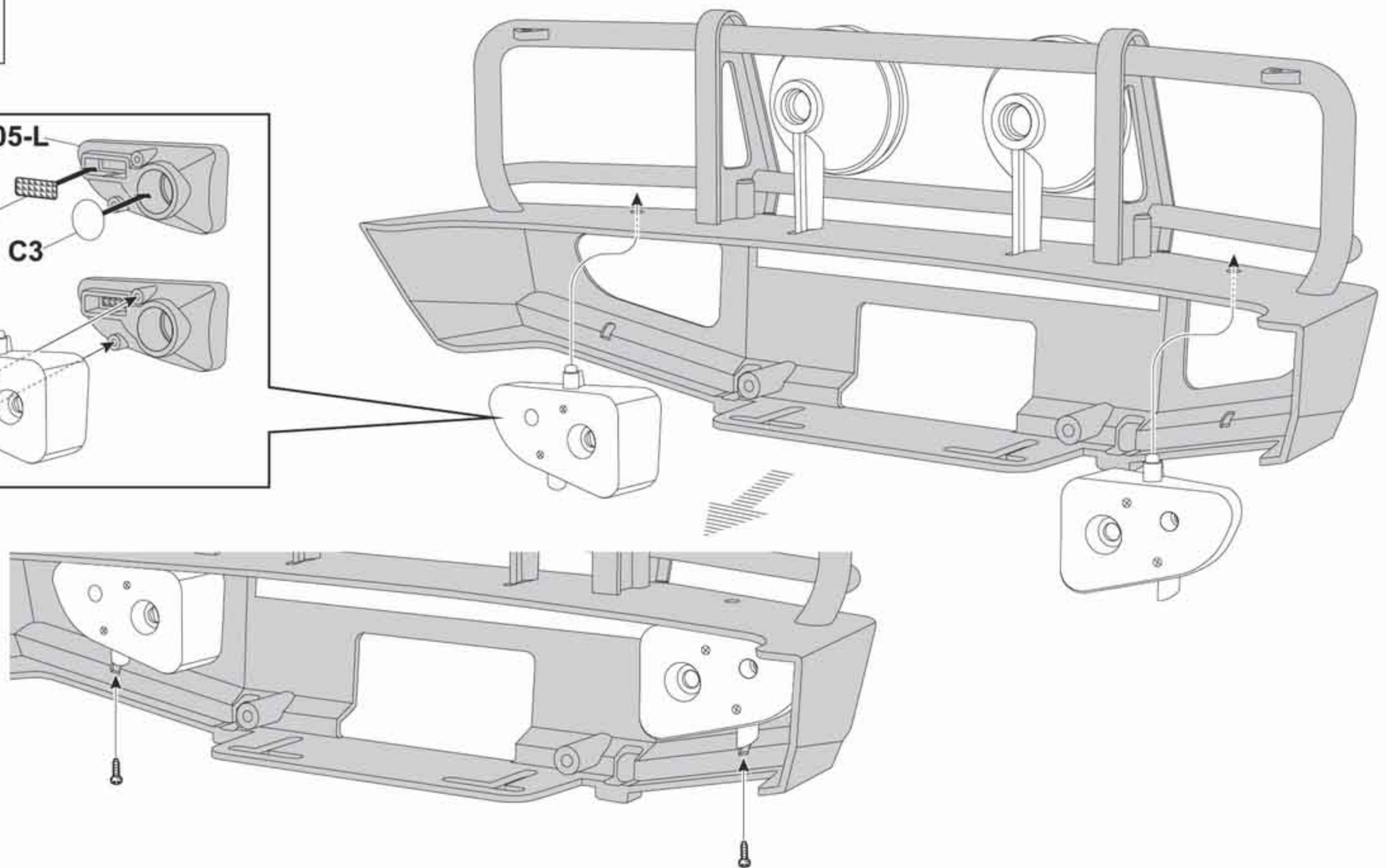
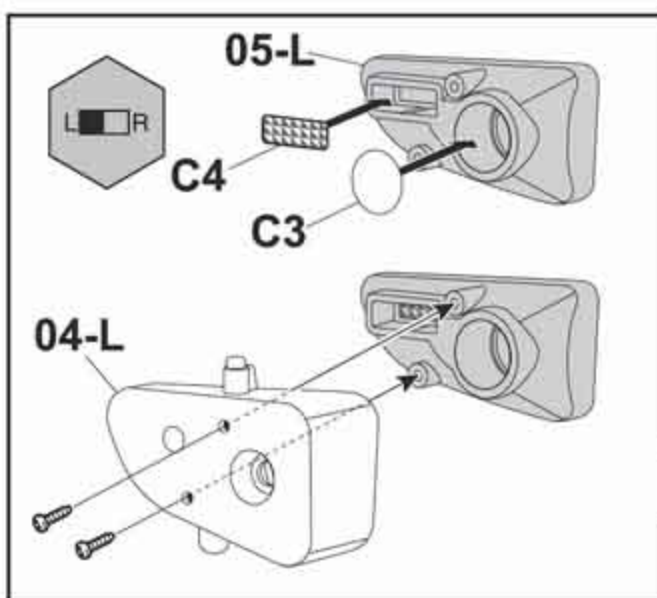
X2



4 Assembling

Screw 1.4X4mm

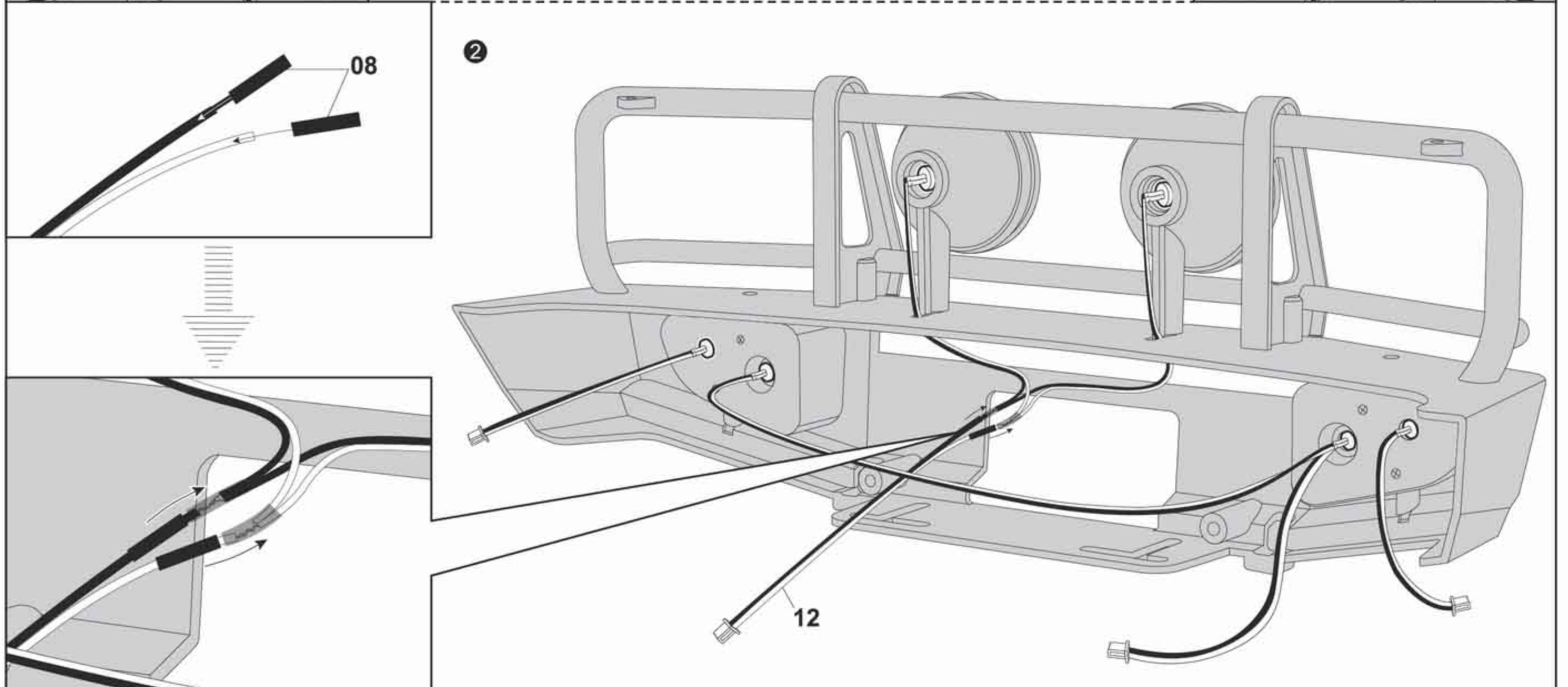
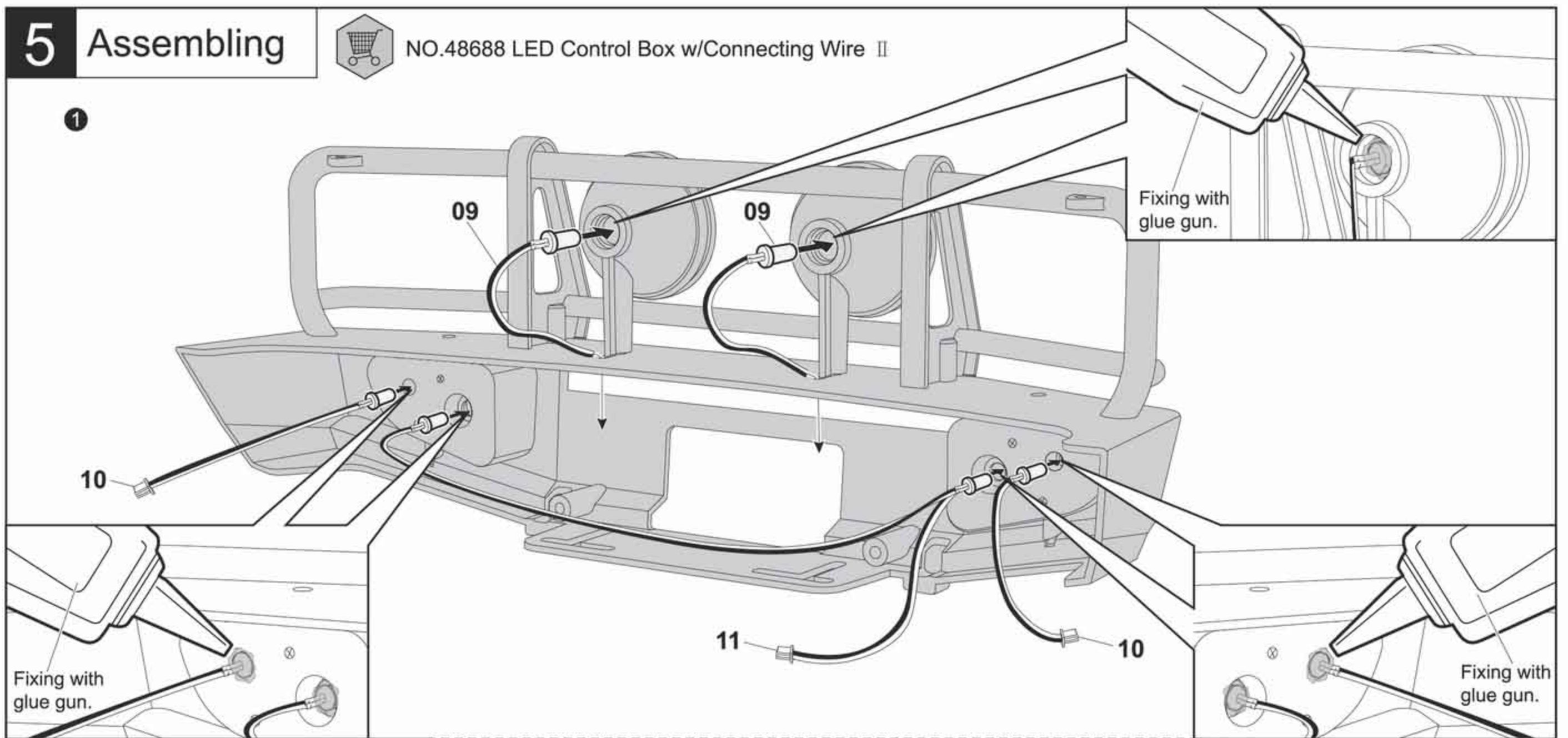
X6



5 Assembling



NO.48688 LED Control Box w/Connecting Wire II



6 Assembling

0.8X50mm-----X1

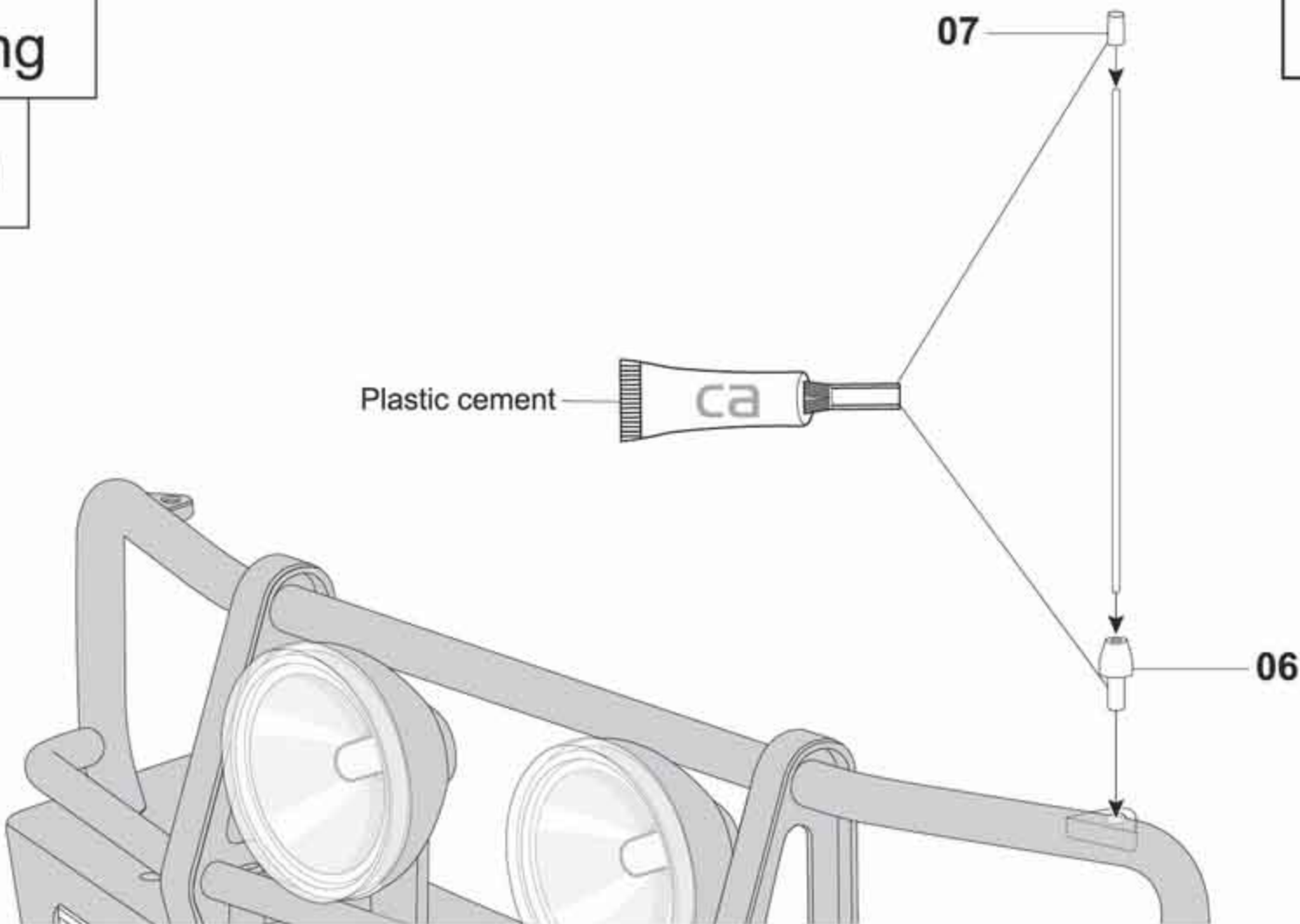
Plastic cement



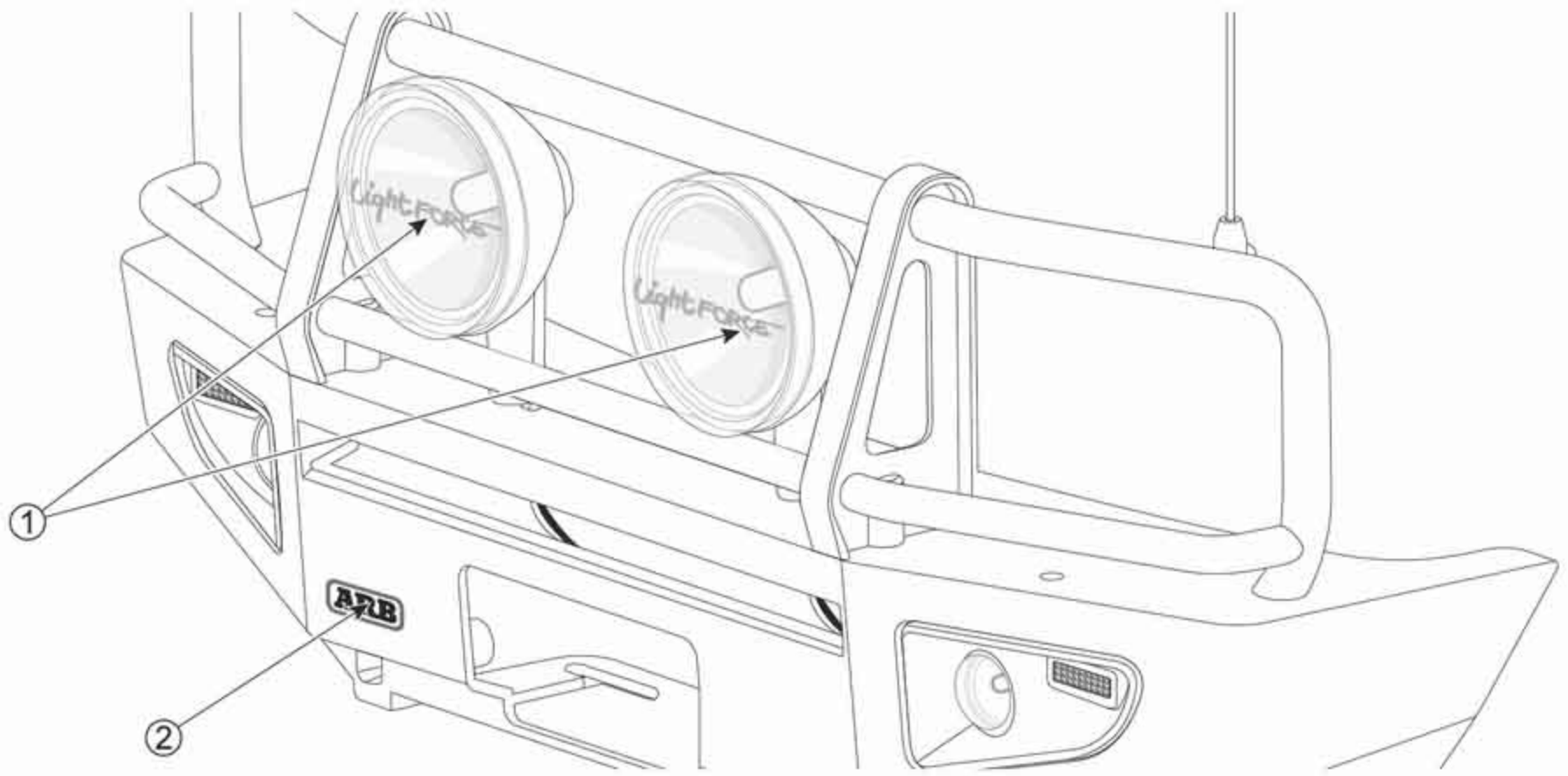
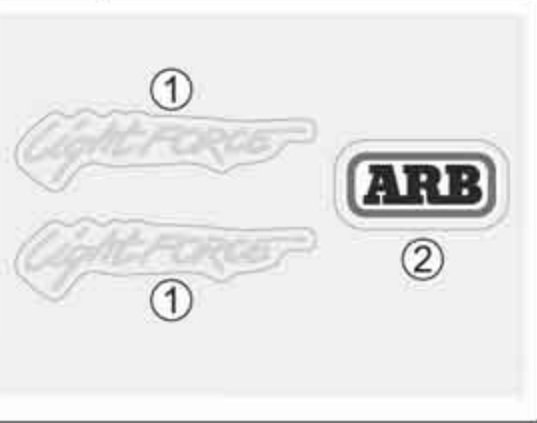
07

Assemble antenna on the Left / Right side.

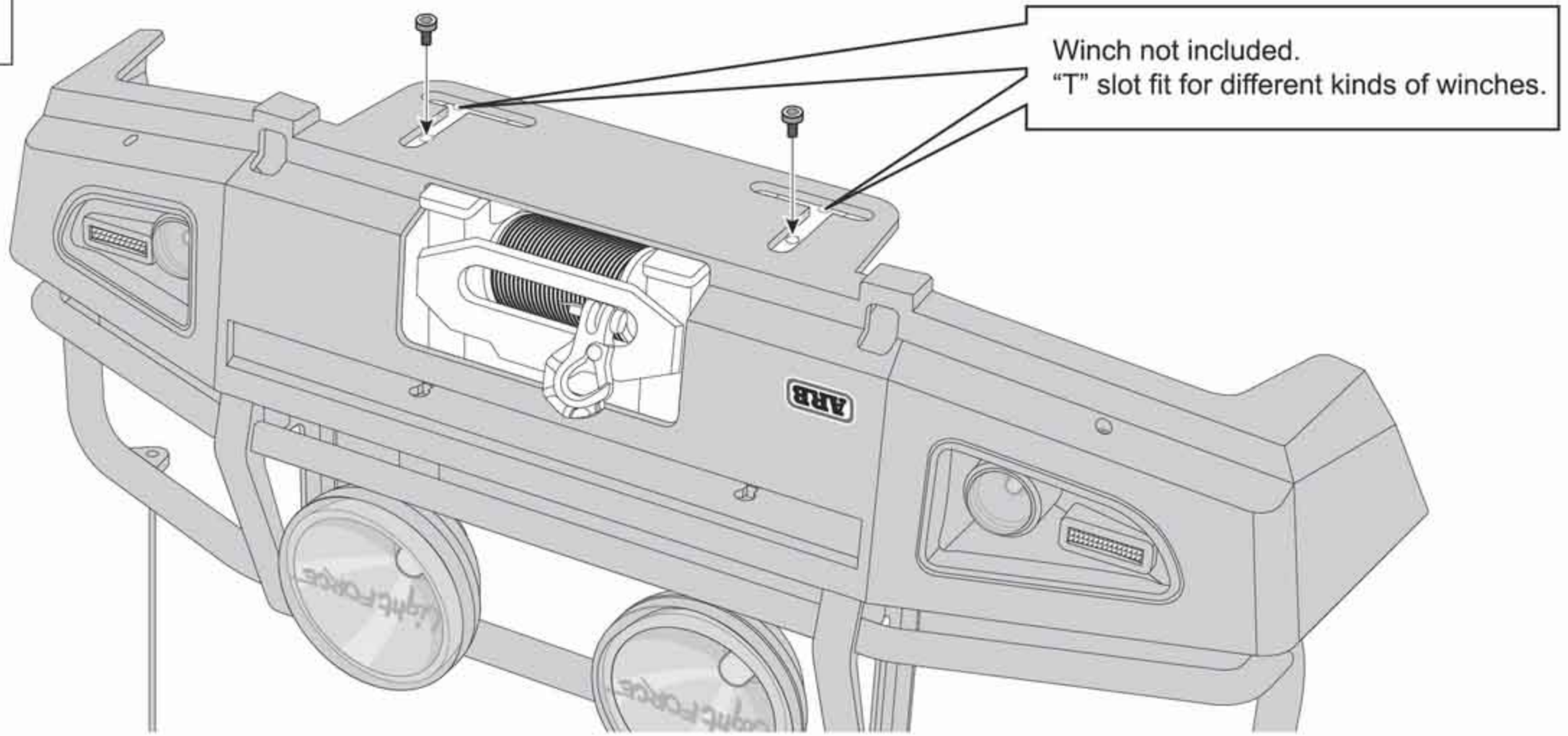
06



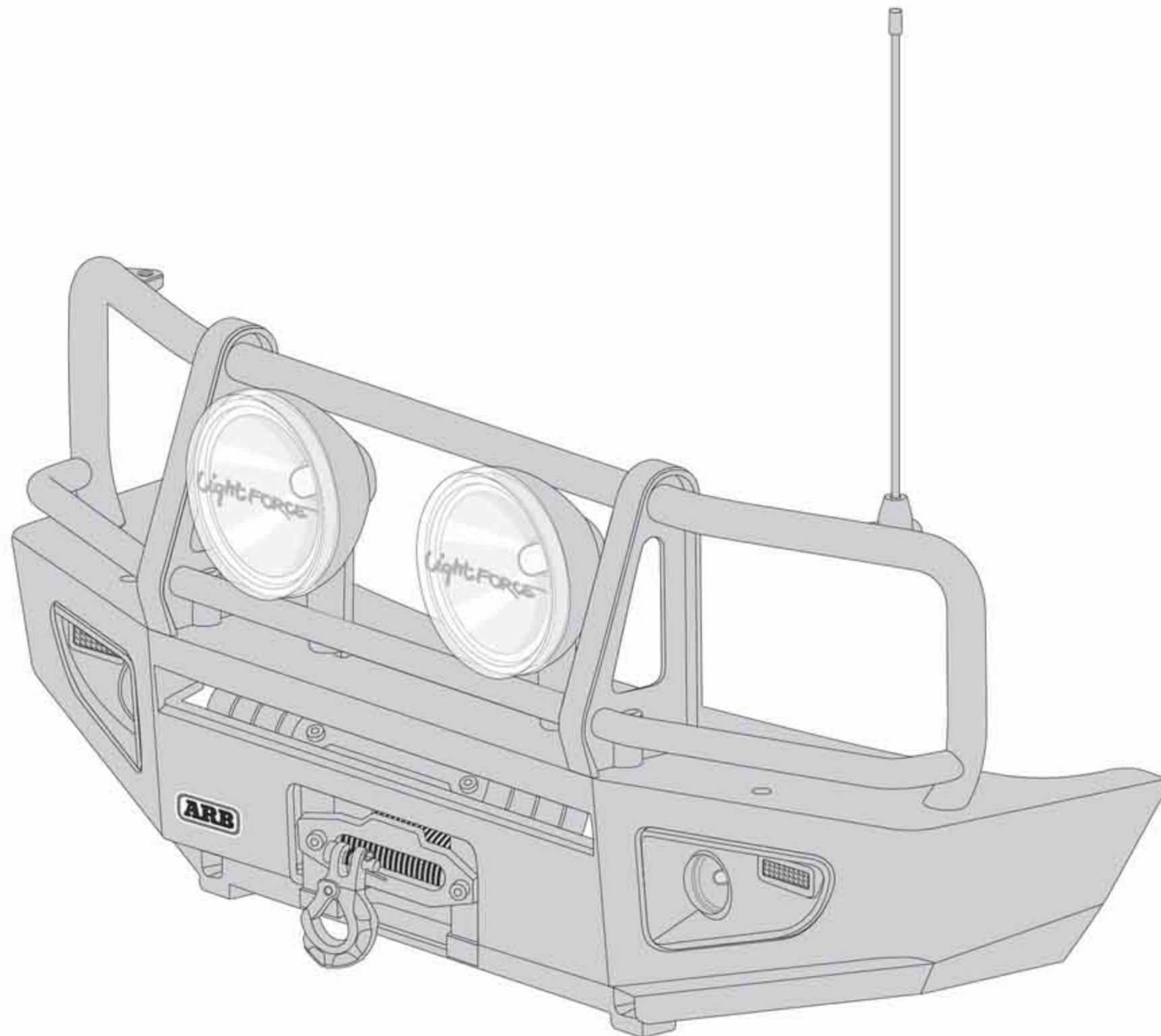
7 Decal



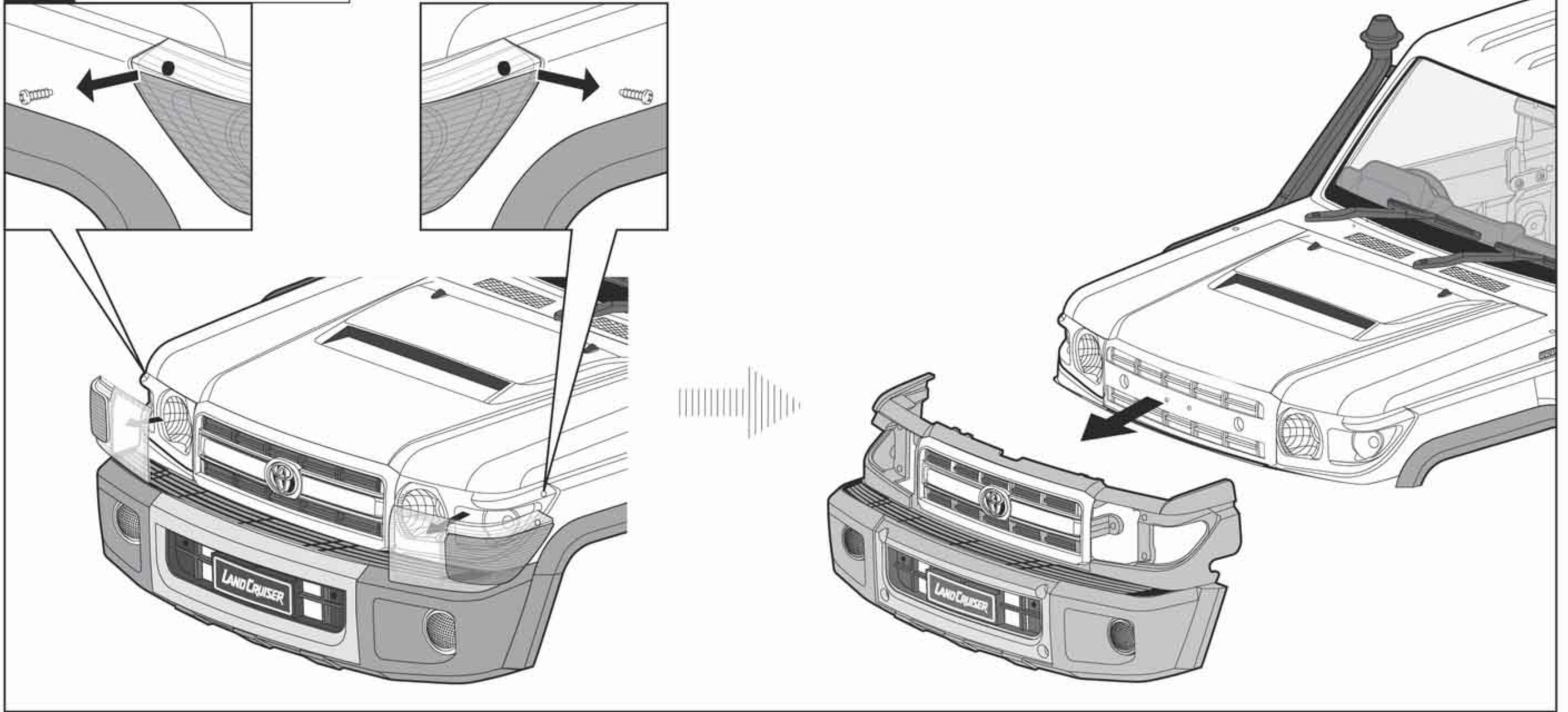
8 Assembling



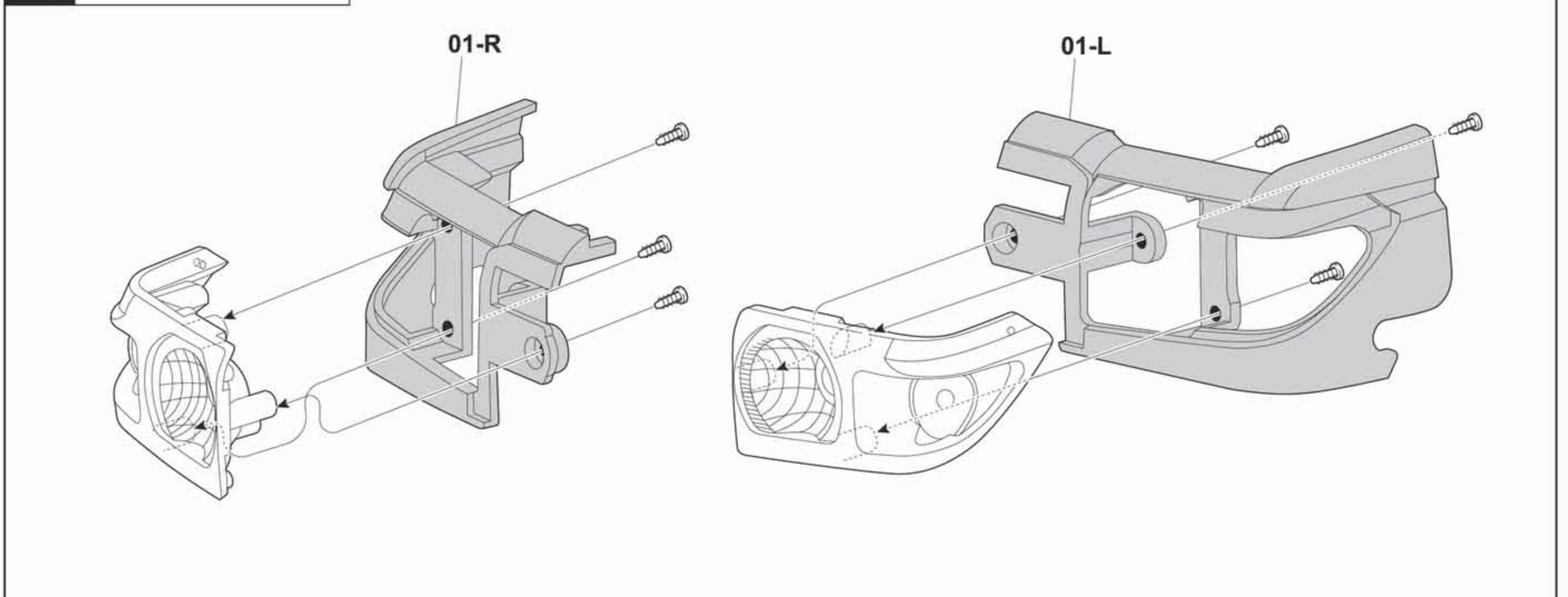
9 Finished



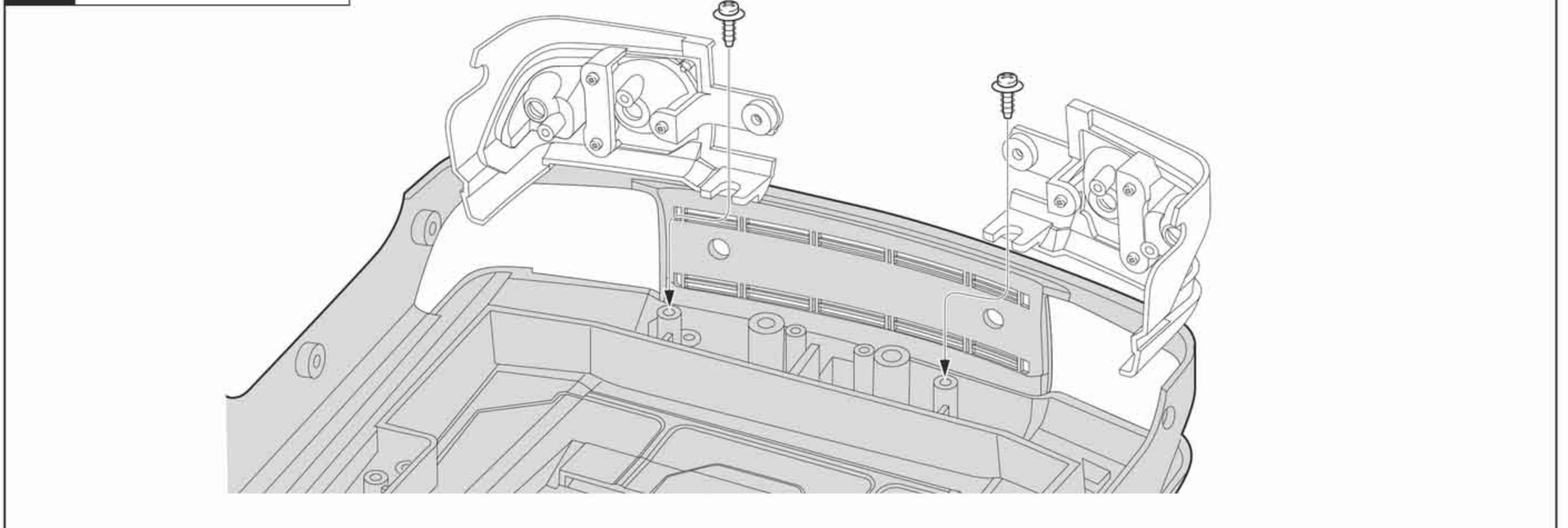
10 Disassembling



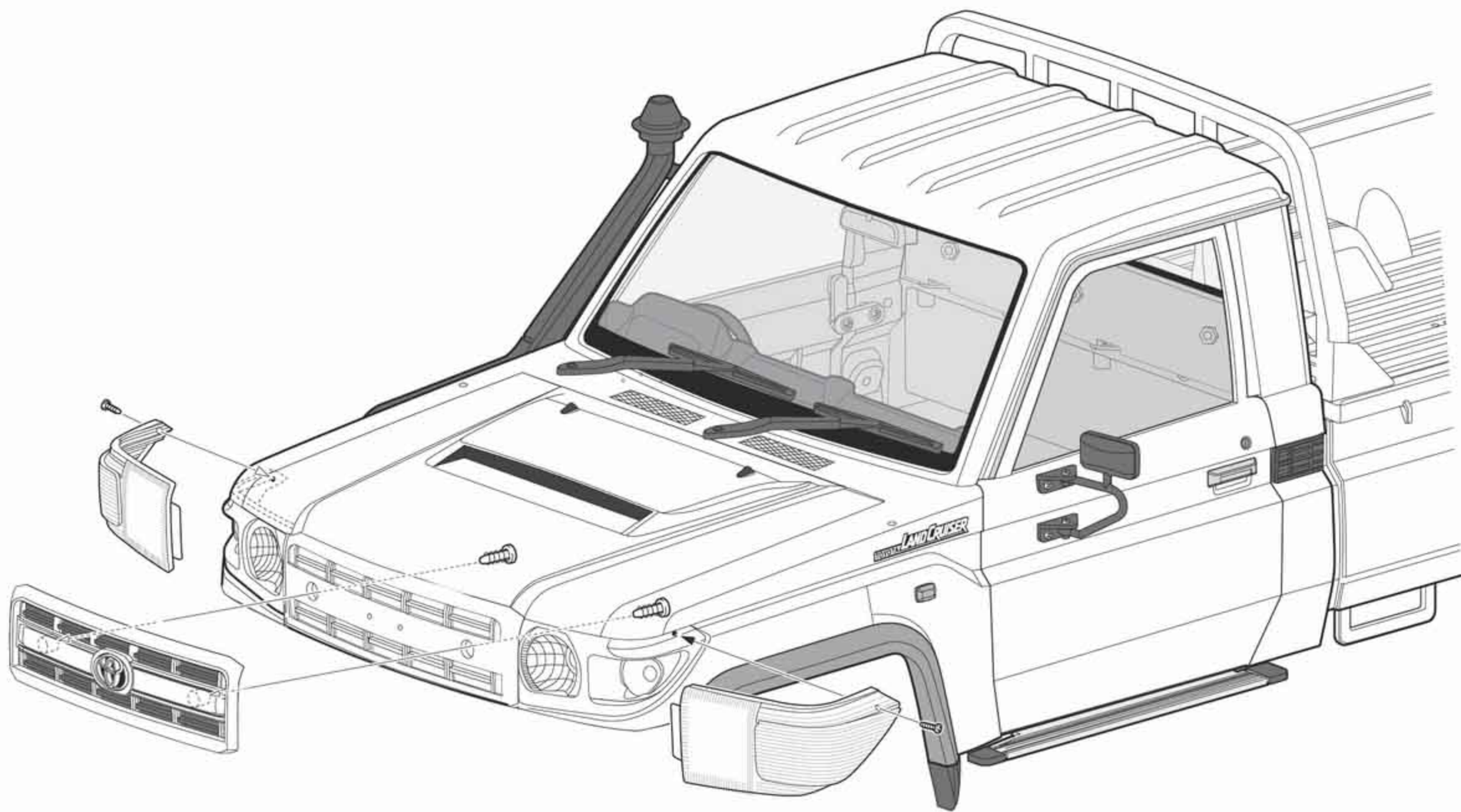
11 Assembling



12 Assembling



13 Assembling



Upgrade Parts



NO. 48707 Fit for Axial SCX10 & SCX10_II Chassis 3.35/3.75 inch Tire

Optional hole-site for different heights.

Screw M2.5X8mm



Screw M3X8mm



Nut 5.5X5mm



Washer

