

killerbody

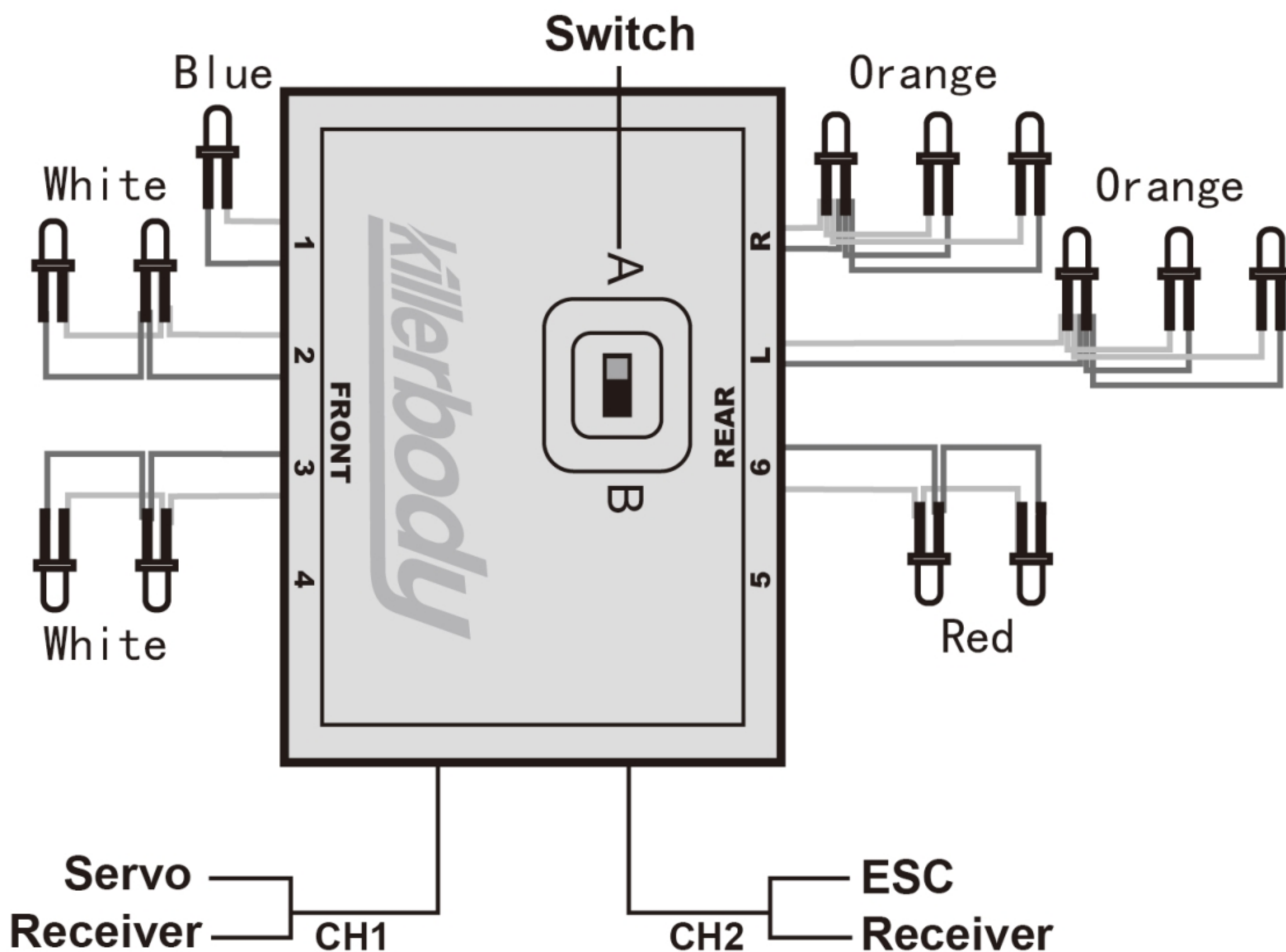
™ LED Unit Set w/Control Box 13 LEDs

(3mm: 13 LEDs)

Fit for KB 1/10 Nissan Skyline 2000 Turbo GT-ES (C211)

NO. 48687

⚠ Not all the Radio Controller System compatible with this LED control box.
Due to limited wire length of the LED lights set, please pre-check proper fixture location before using 3M double-sided tape to fix it. We suggest to fix the LED lights set at the nearest area to the signal receiver which on the bottom of the chassis.



Specific Functions:

1. Red indicator light will light up when power connected, LED light control system is power on.
2. System power on and all lights will light up when keeping turning L by remote controller for over 10 seconds.
3. System power on and all lights will light off when keeping turning R by remote controller for over 10 seconds.
4. All lights will flash when stop control for over 10 seconds; all lights will light up dimly when receiving any signals.
5. "A" light mode is normal cars light mode.
6. "B" light mode is keeping flashing mode.
7. Port 1/2/3/4 on the box is for FORWARD.
8. Port 5/6 on the box is for BACKWARD.
9. Port L/R on the box is for TURN L/R.
10. Two sets of Servo&ESC Receiver on right side of the box.

Wires Distribution

