

Hover Formula Type R BODY SHELL

Fit for Kyosho 1/18 Drone Racer #20571/20572/20573

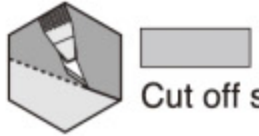
NO.48666

killerbody™

1/18 RC PLANNING INSTRUCTION SHEET

Before beginning assembly, please read these instructions thoroughly!

● Symbols used throughout the instruction manual, comprise:



Cut off shaded portion.



5mm
Drill holes with the specified diameter.



Pay close attention here!



Must be purchased separately.



Assemble left and right sides the same way.



● Before Assembly

Decoration Body

- ▶ In the case of a decoration body, please assemble it according to the contents showed.

When making the window transparent

- ▶ If you want to make the window transparent with a non decoration body, please assemble it according to the contents showed.

Non Decoration Body

- ▶ In the case of non decoration body, please assemble it according to the contents showed.

When loading LED lights

- ▶ If you want to load LED lights with a non decoration body, please assemble it according to the contents showed.

PARTS

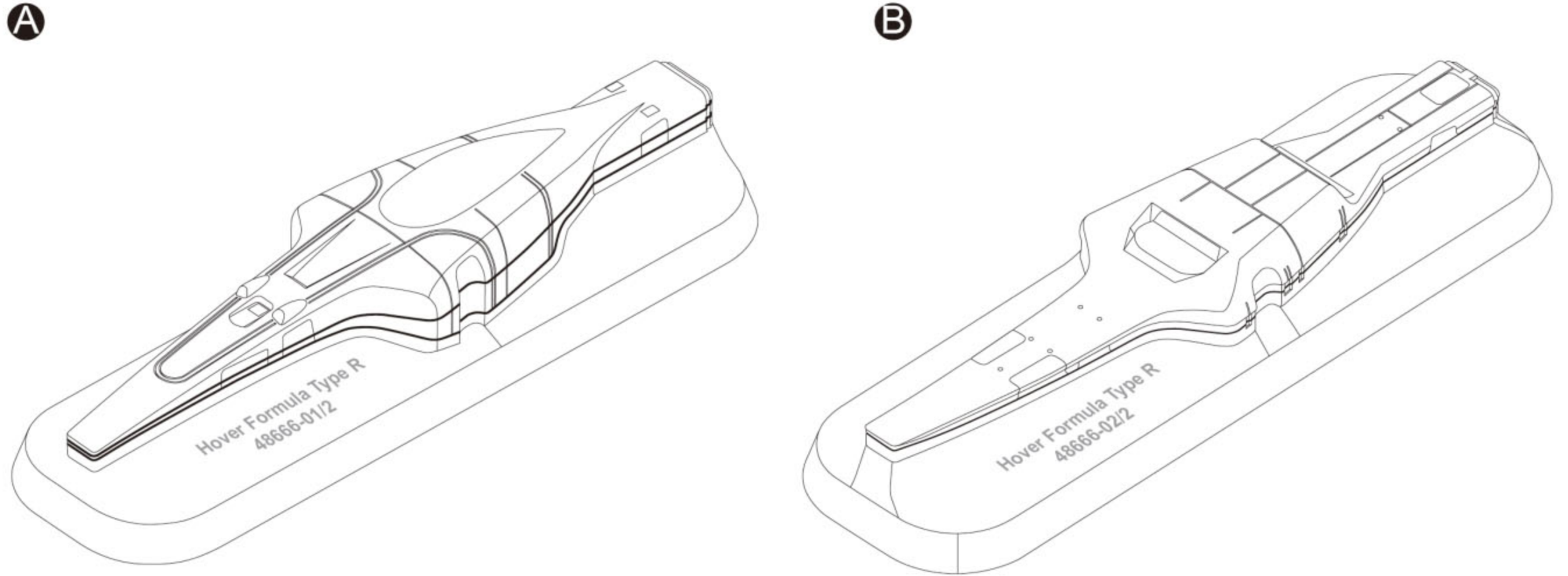
PC body ----- X2

Window masks ----- X1


Decorative decal ----- X1

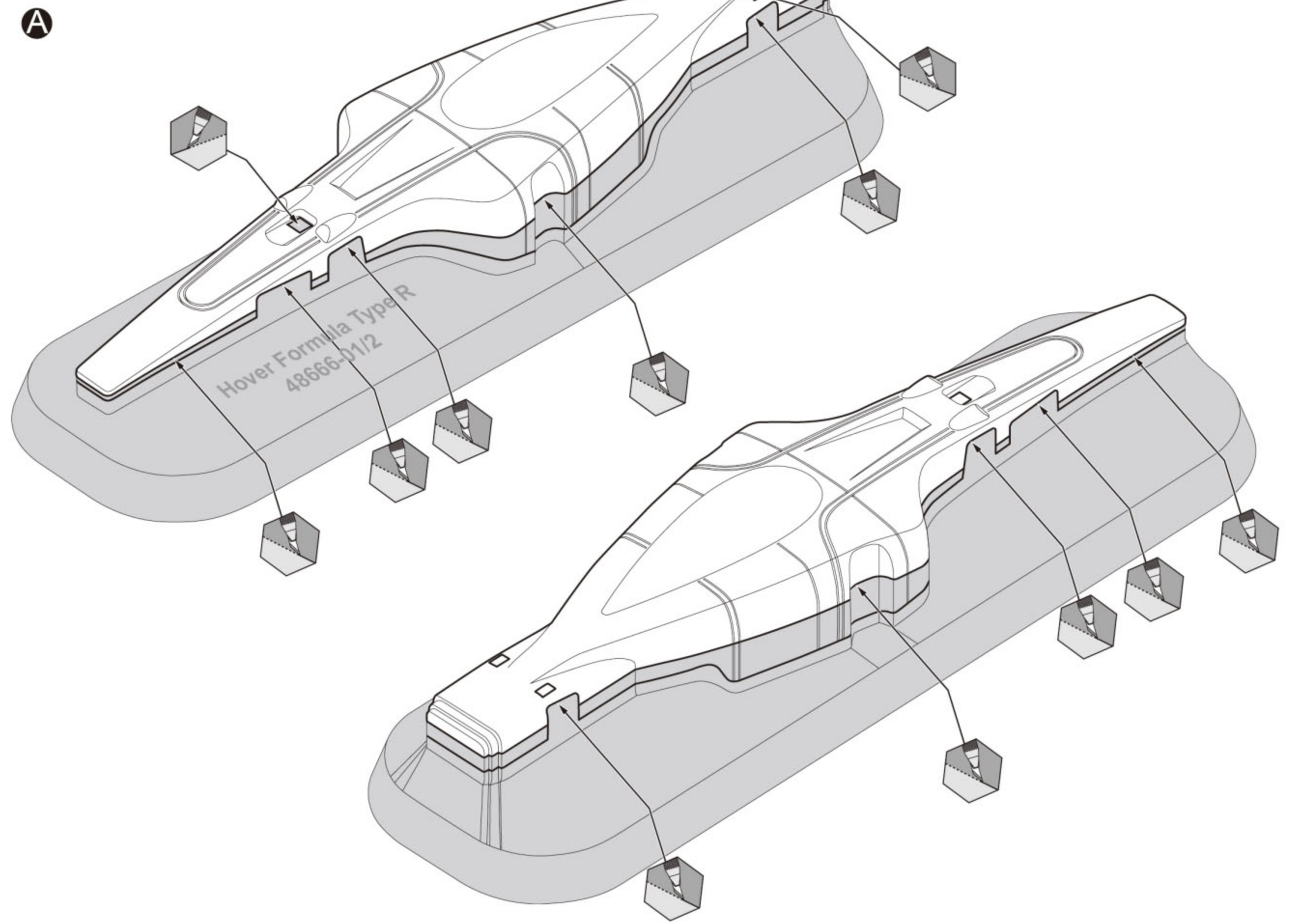
Decal sheet ----- X1

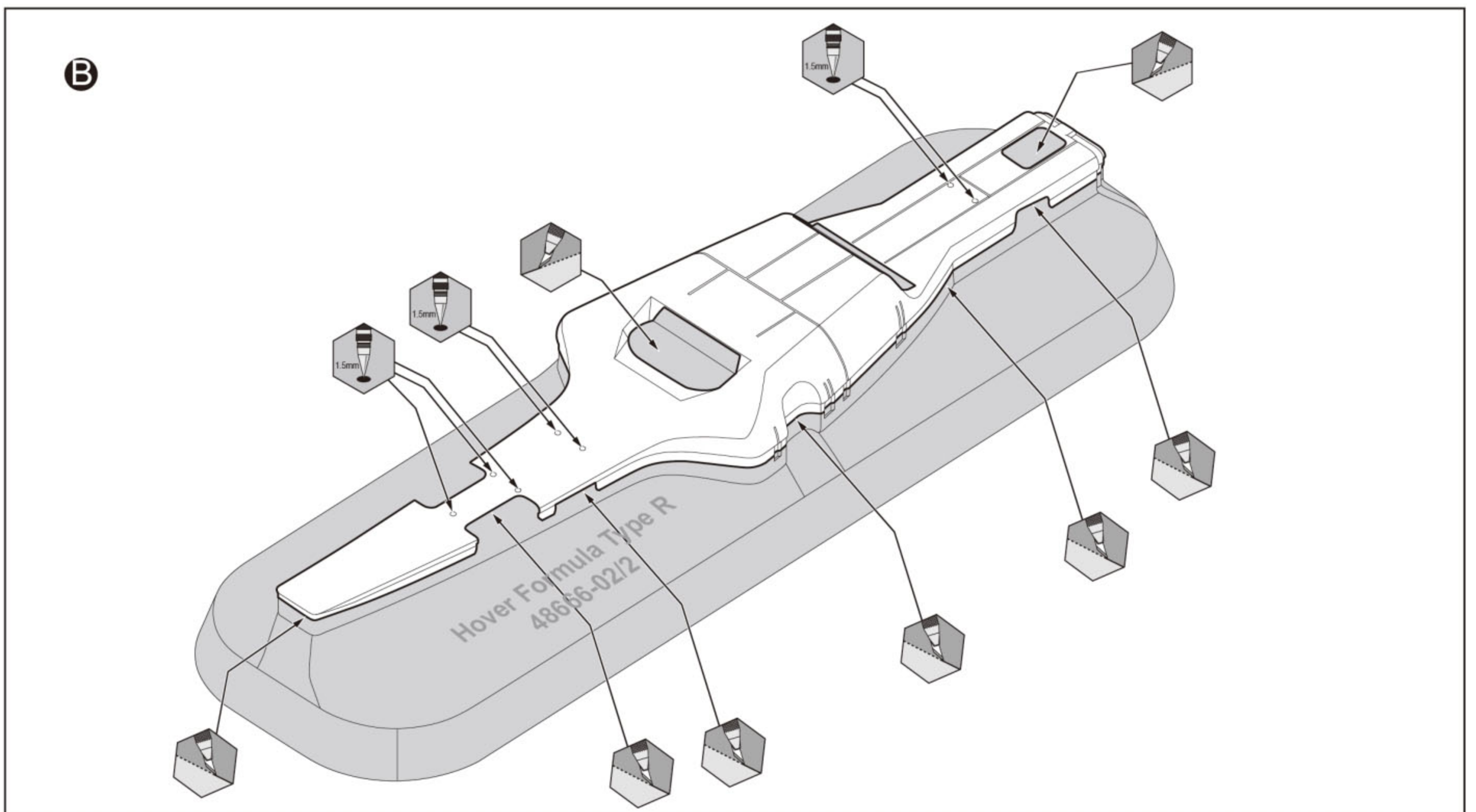
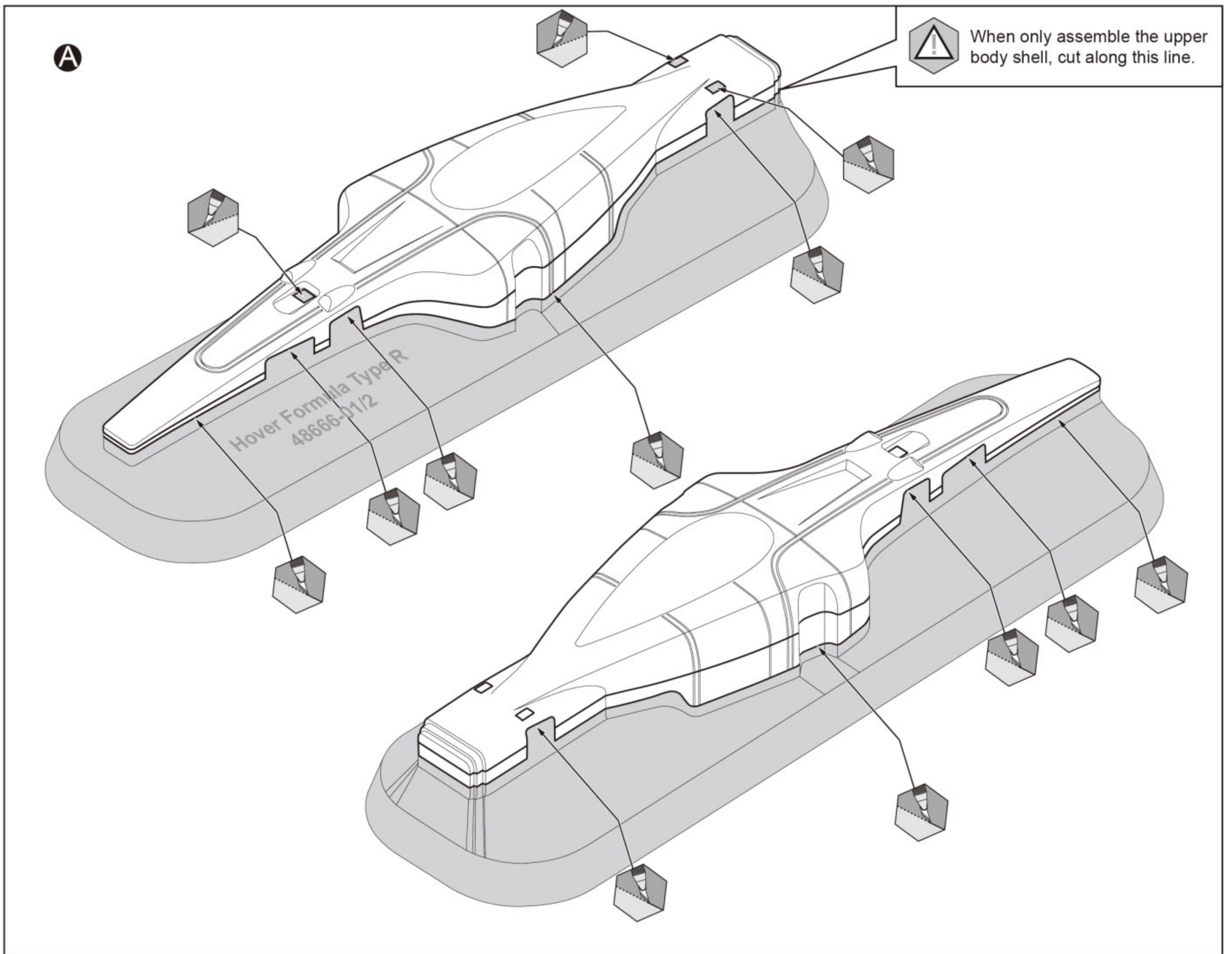
PC PARTS

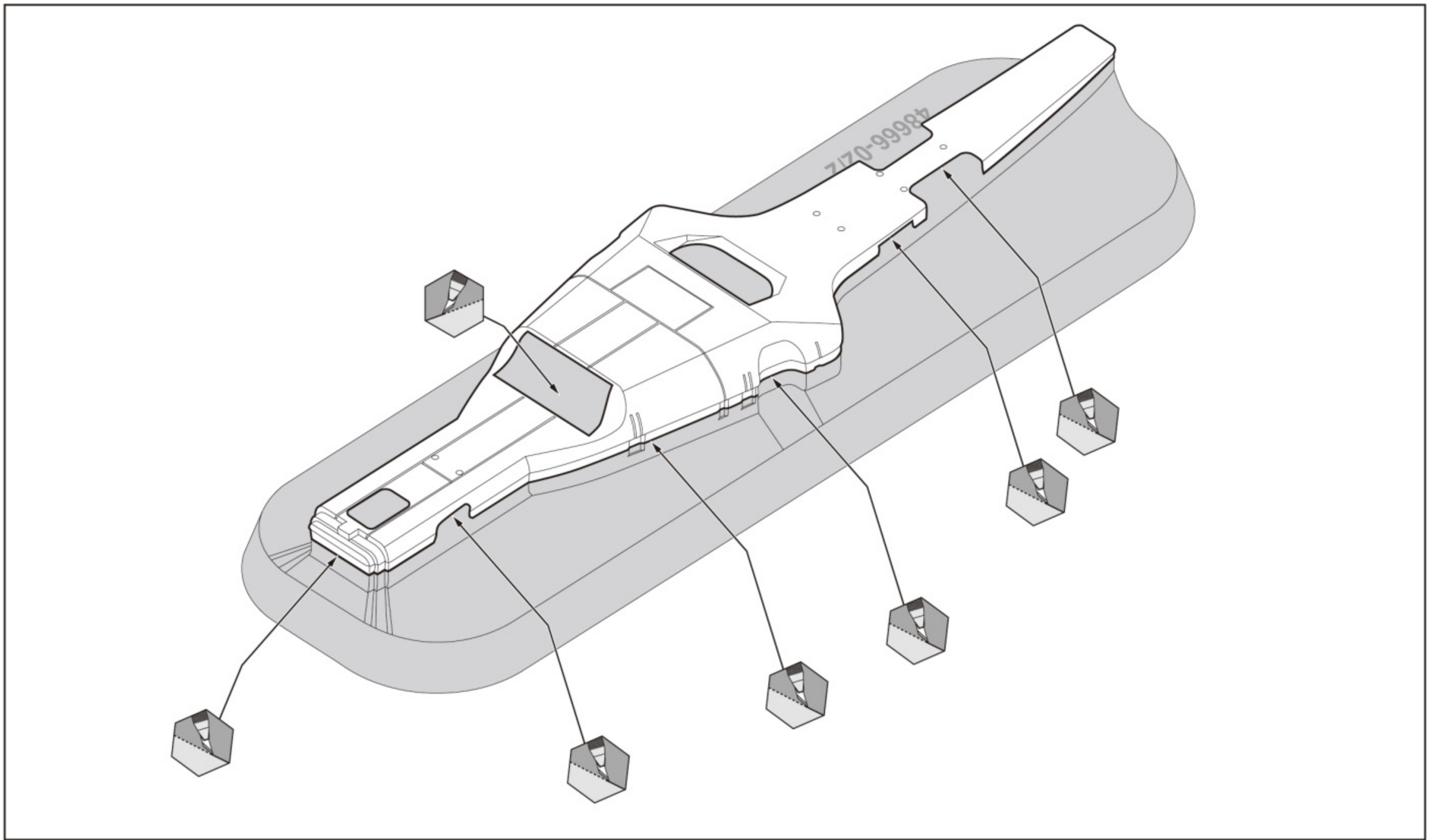


1 Cutting

 When assemble the upper and down body shells, cut along this line.



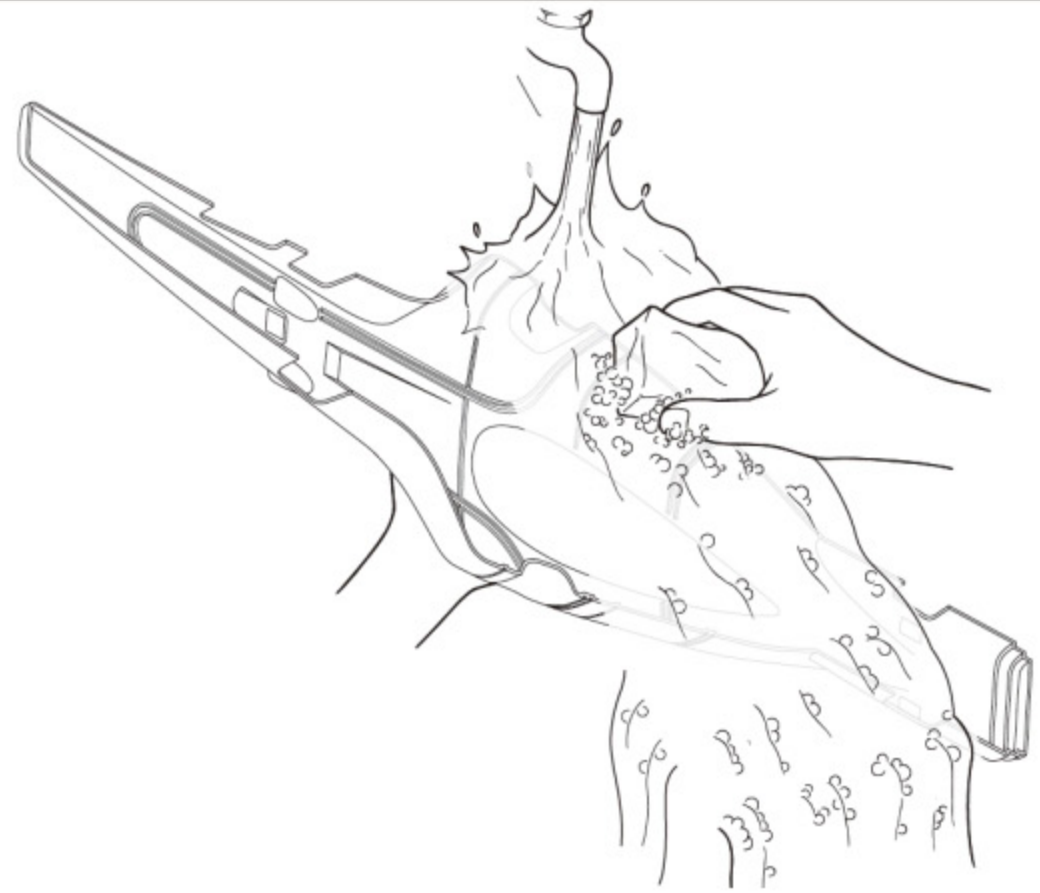




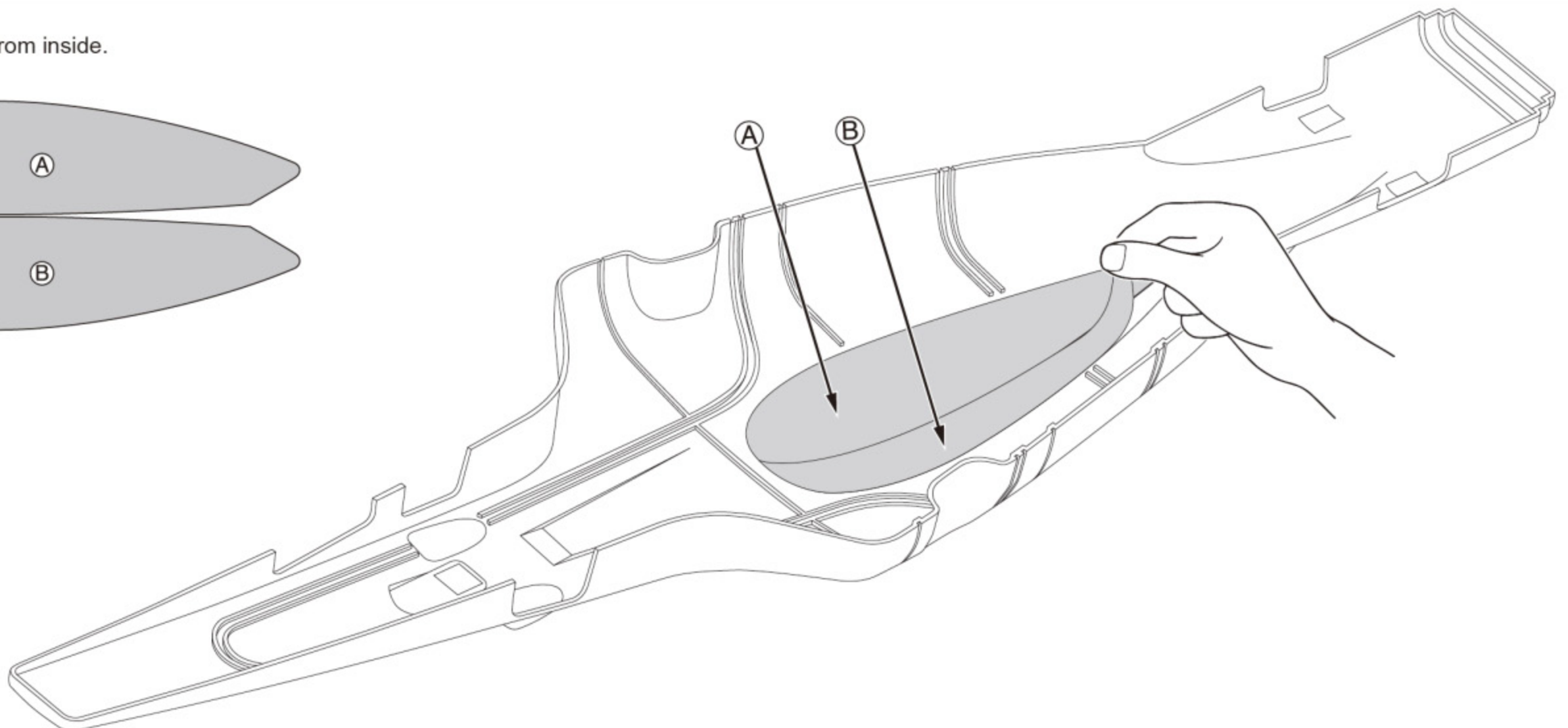
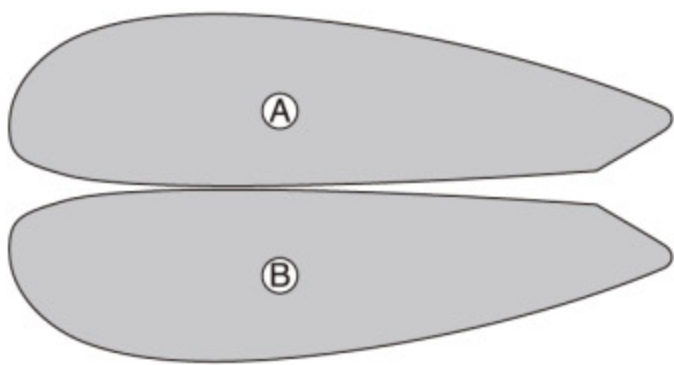
2 Painting

A B

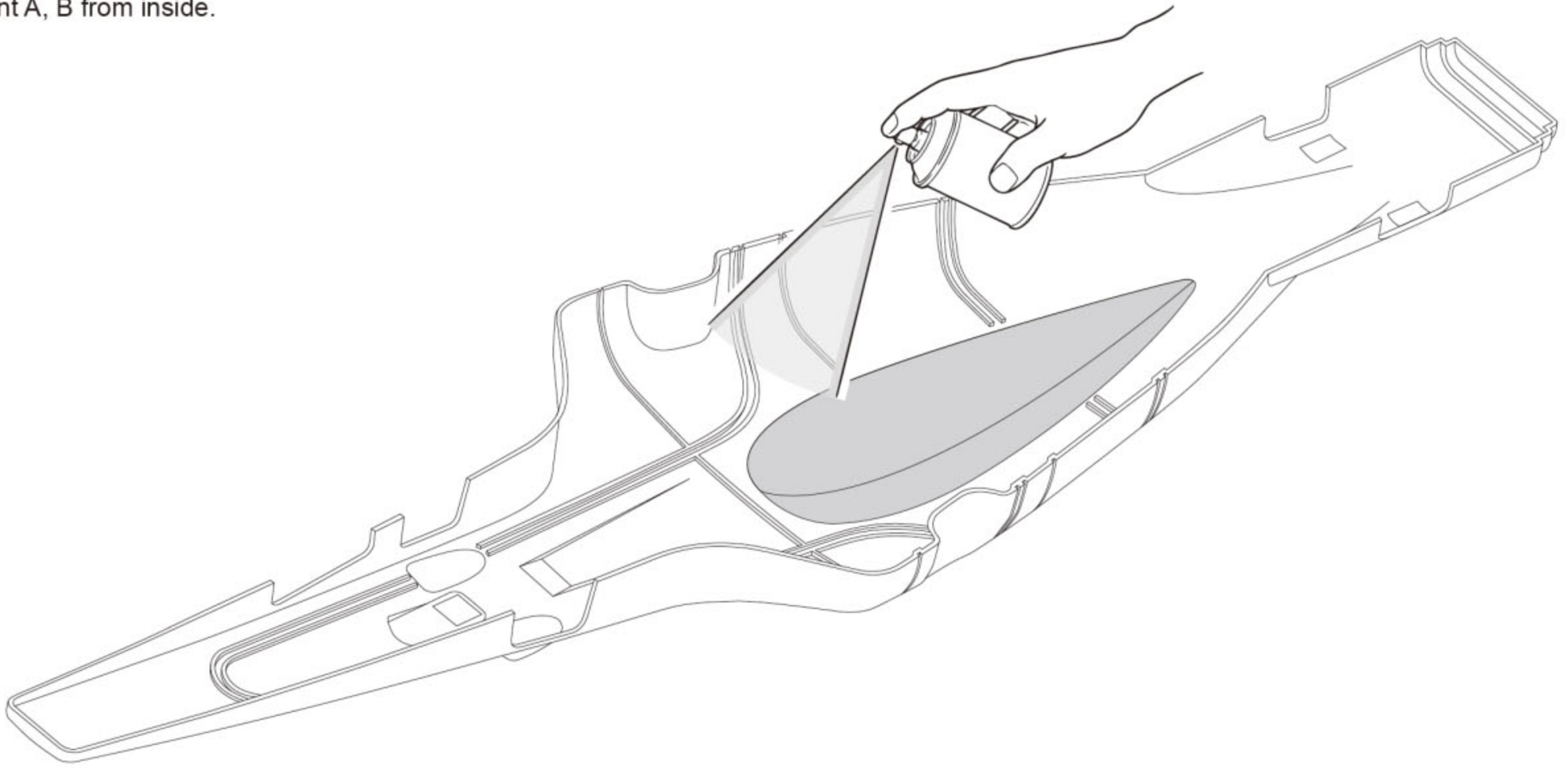
1 Before painting, use a neutral detergent to remove any oil residues and dirt.



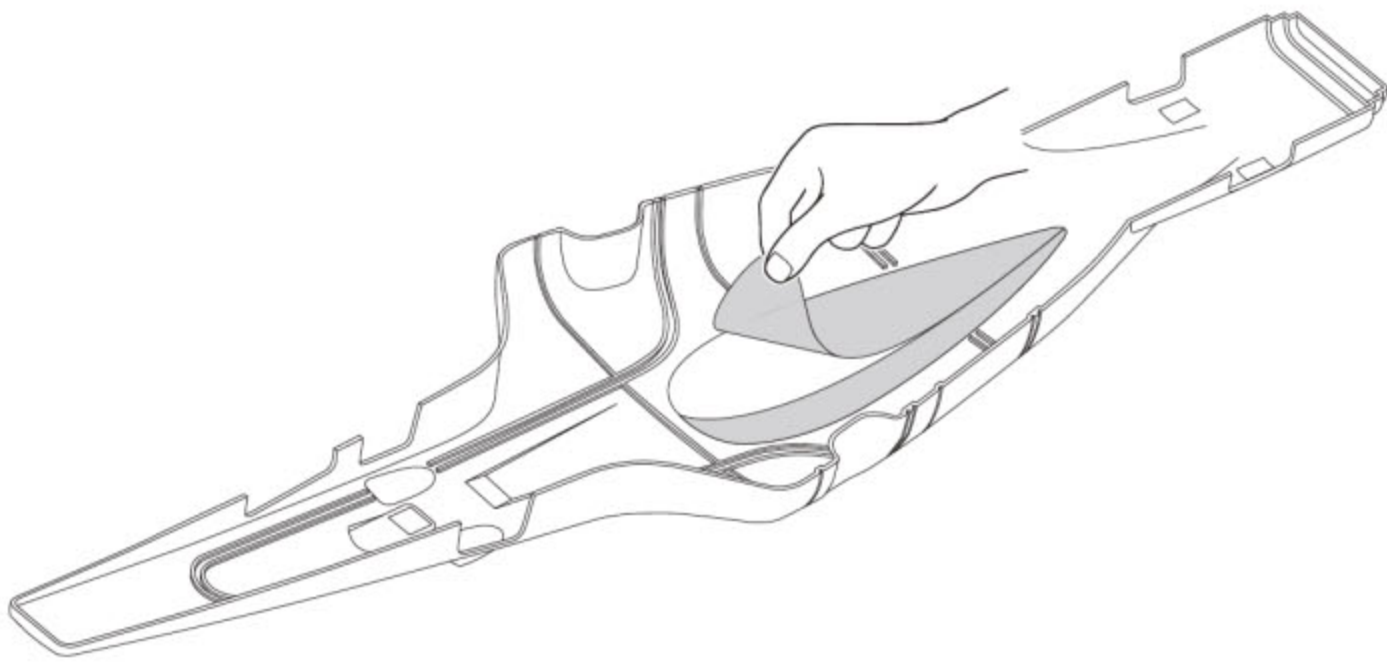
2 Mask the parts from inside.



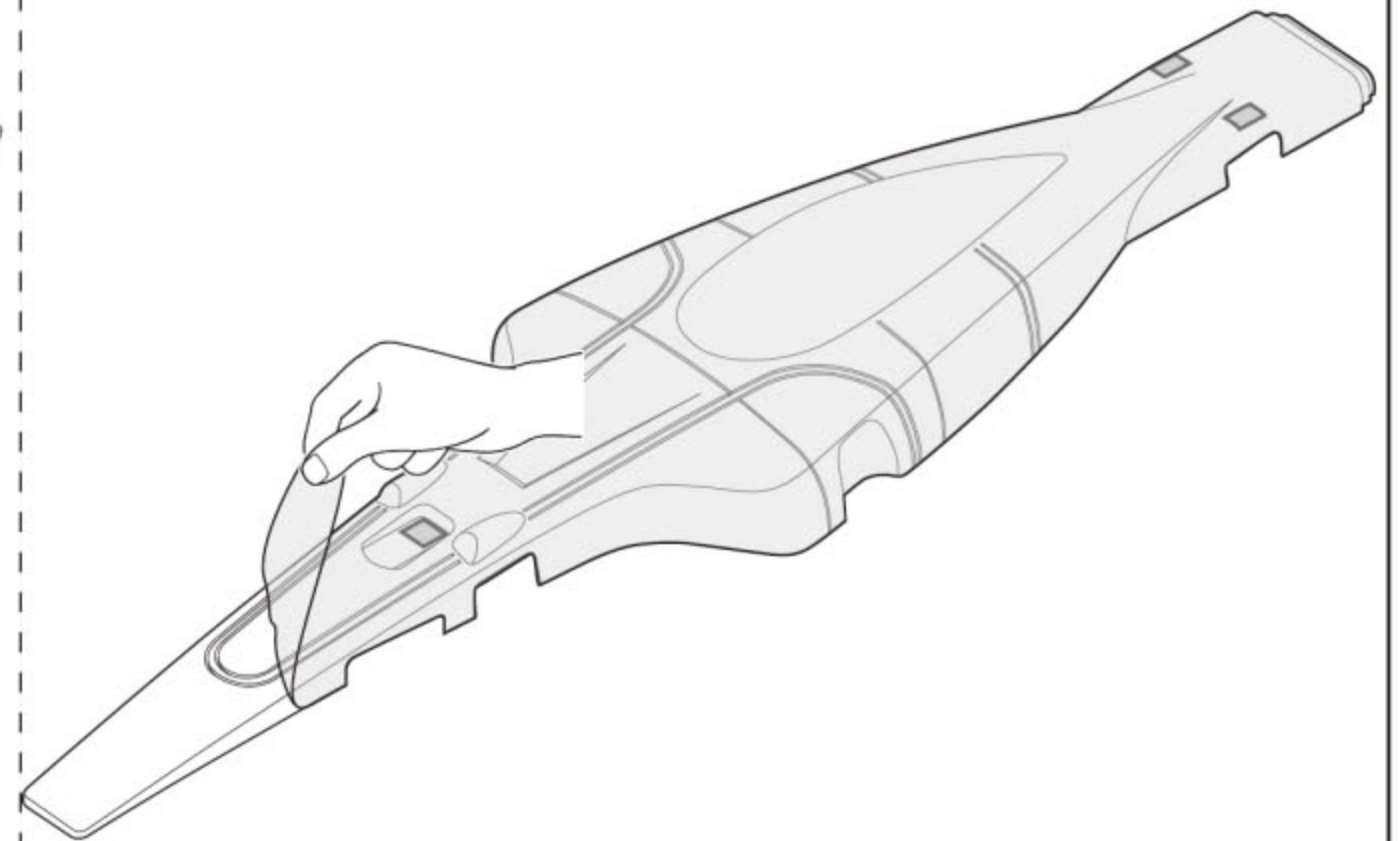
③ Paint A, B from inside.



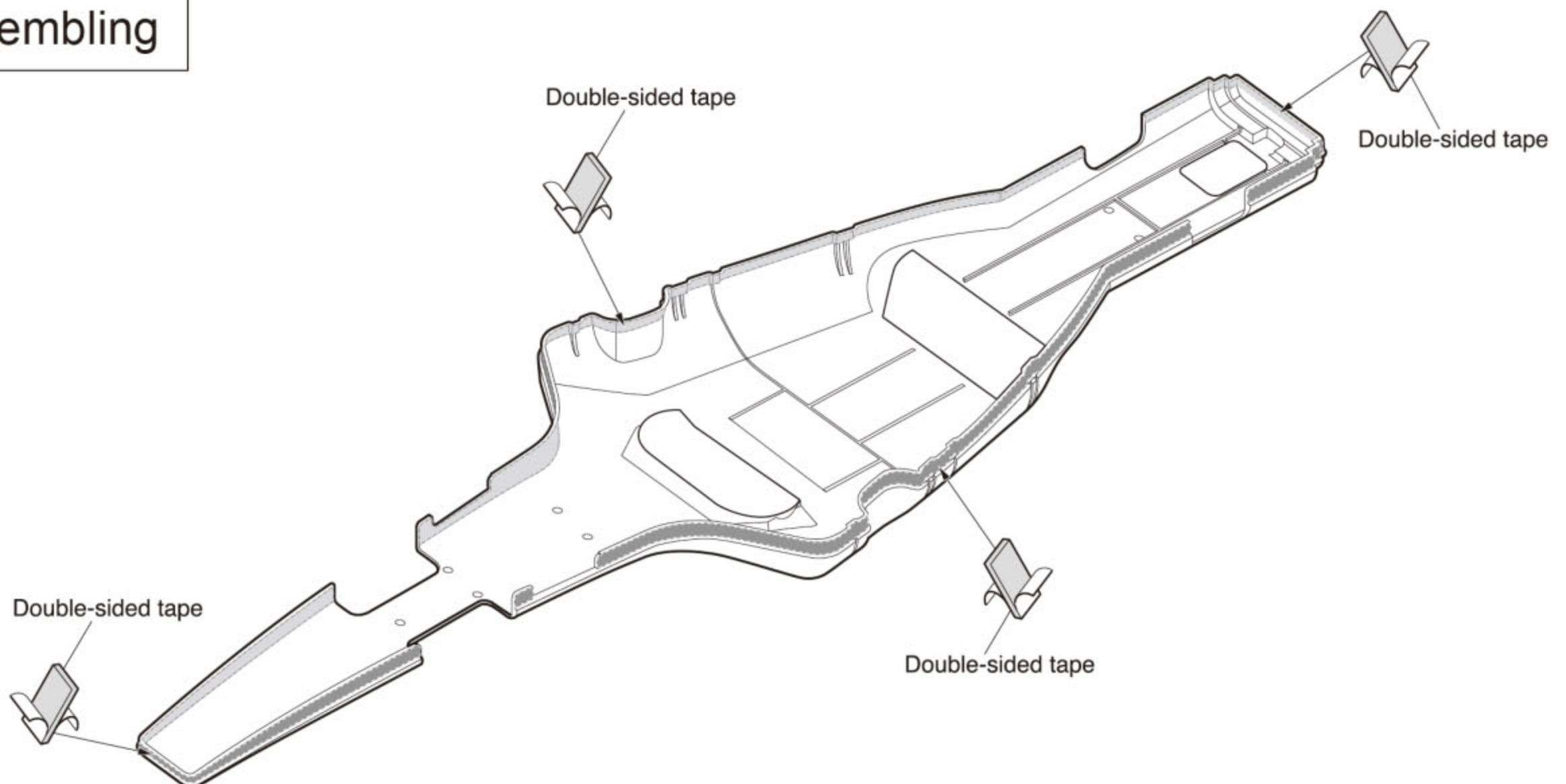
④ After painting, remove the masks from inside.

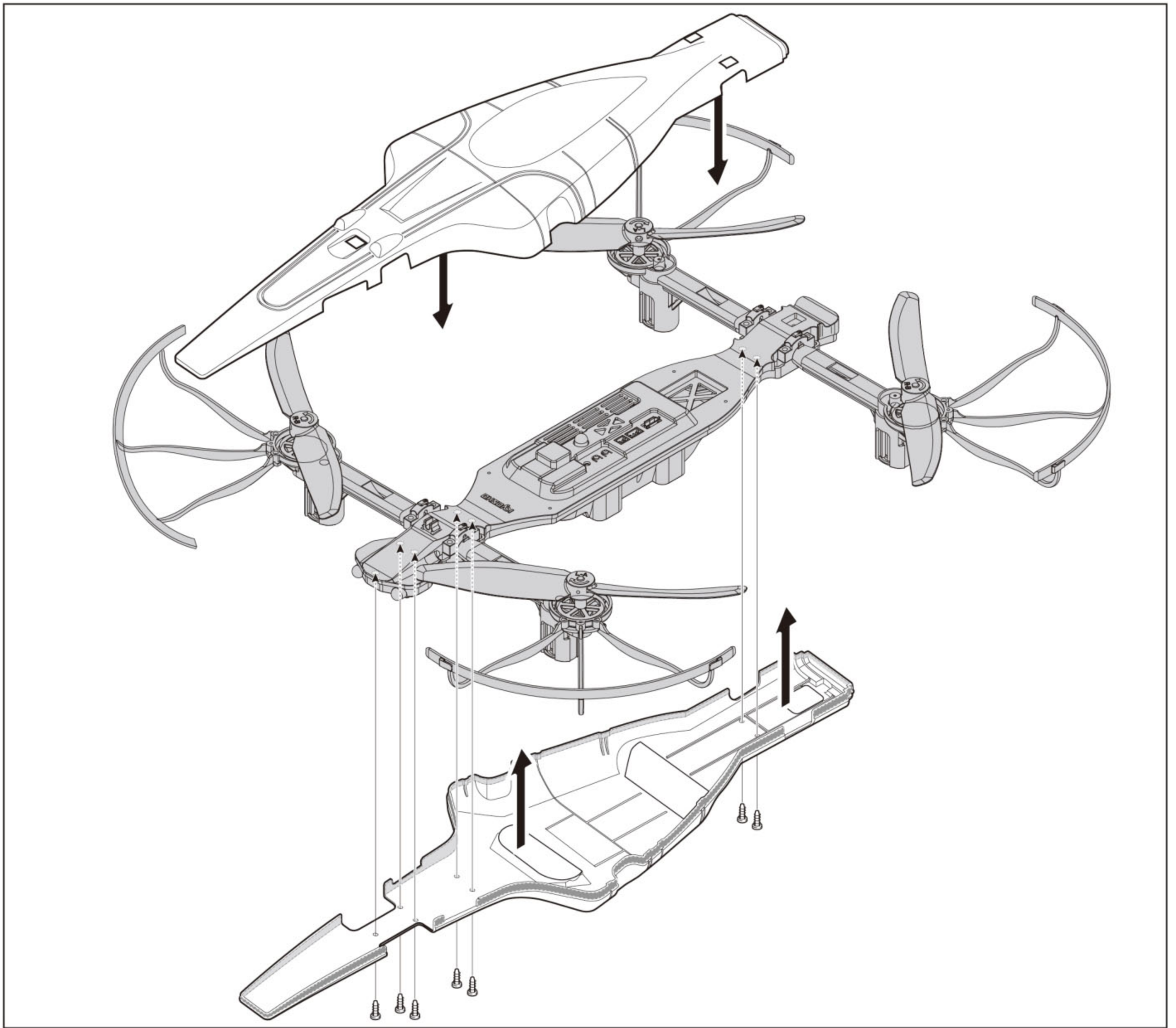


⑤ Remove the protective film from outside.

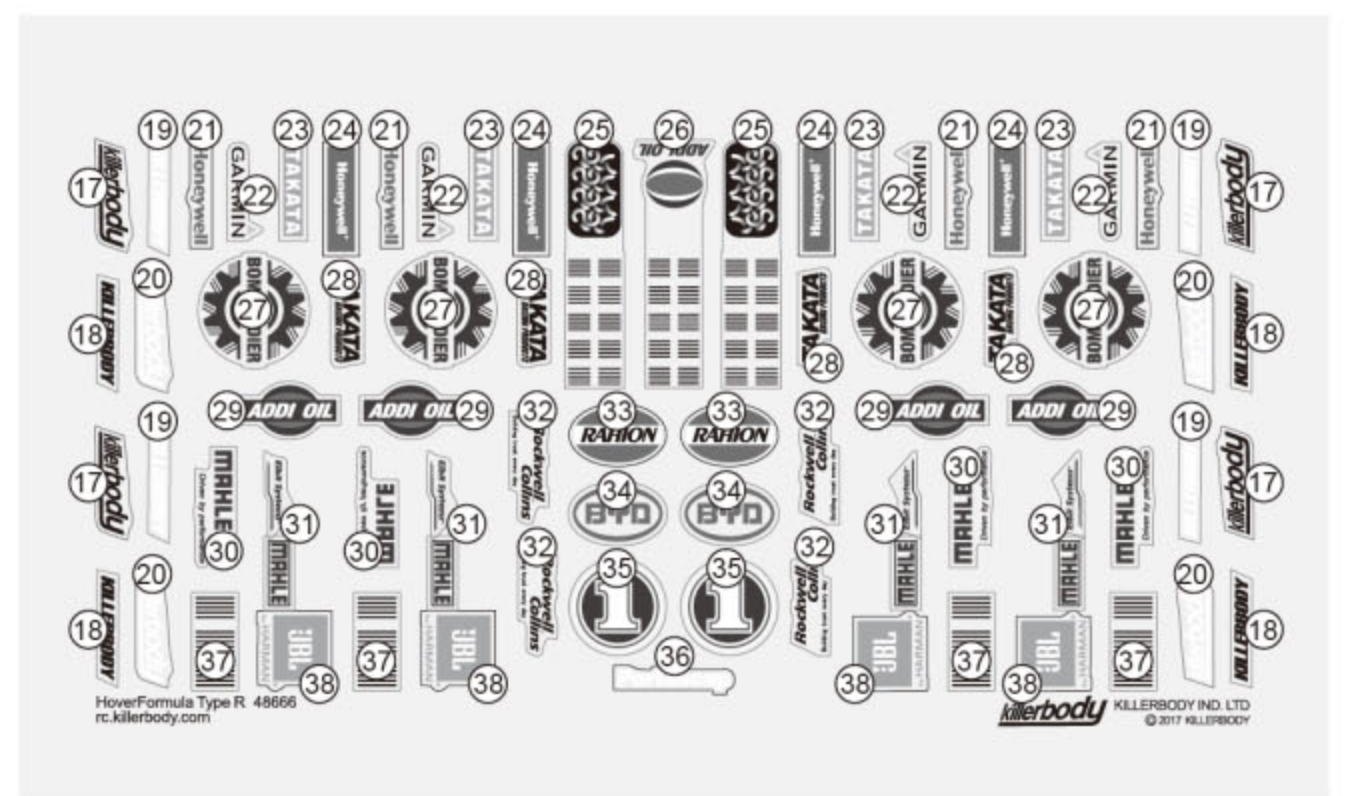
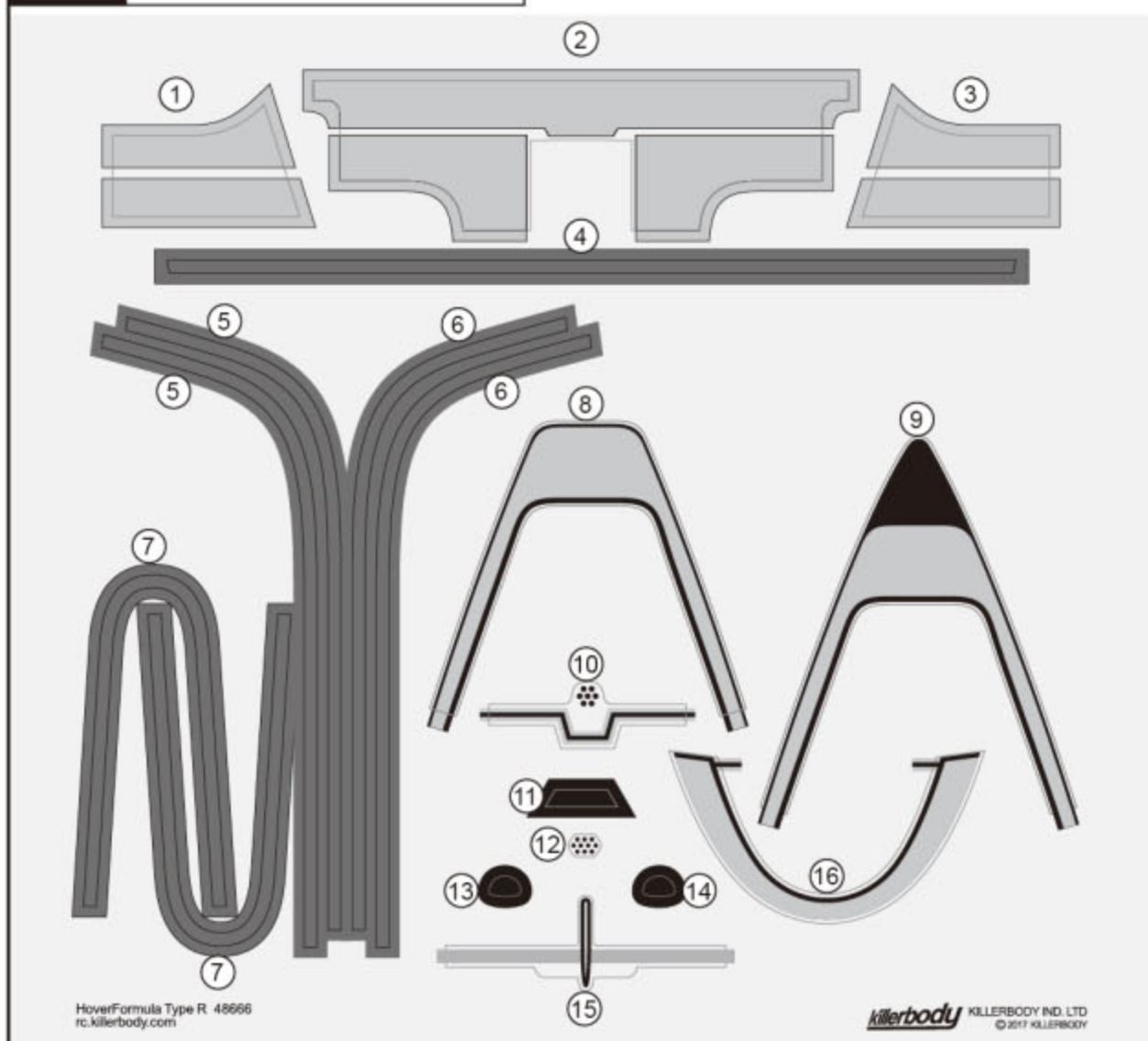


3 Assembling





4 Decal



HoverFormula Type R 48666
rc.killerbody.com

killerbody KILLERBODY IND. LTD
© 2017 KILLERBODY

