

# Wide Body Full Kit

Fit for KILLERBODY 1/10 LEXUS  
RC F Body Shell  
NO.48659

# KILLERBODY™

## 1/10 RC PLANNING INSTRUCTION SHEET

This body can be used with 1/10 electric touring car chassis (Long Wheelbase: 257mm Width: 205-210mm)

**Before beginning assembly, please read these instructions thoroughly!**

● Symbols used throughout the instruction manual, comprise:



Cut off shaded portion.



5mm  
Drill holes with  
the specified diameter.



Pay close attention here!



Must be purchased  
separately.



Assemble left and right sides  
the same way.



### ● Before Assembly

#### Decoration Body

- ▶ In the case of a decoration body, please assemble it according to the contents showed.

#### When making the window transparent

- ▶ If you want to make the window transparent with a non decoration body, please assemble it according to the contents showed.

#### Non Decoration Body

- ▶ In the case of non decoration body, please assemble it according to the contents showed.

#### When loading LED lights

- ▶ If you want to load LED lights with a non decoration body, please assemble it according to the contents showed.

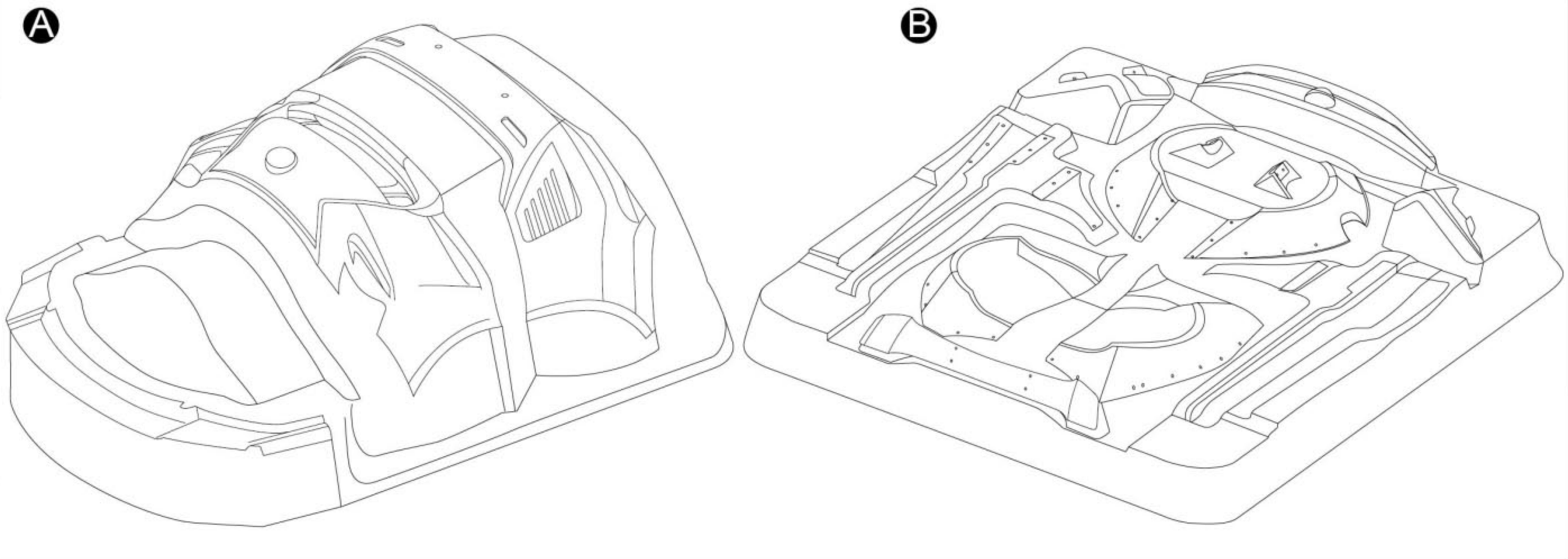
**PARTS**

- PC parts ----- X2
- Decal sheet ----- X1
- Window masks ----- X1
- Decorative decal ----- X1

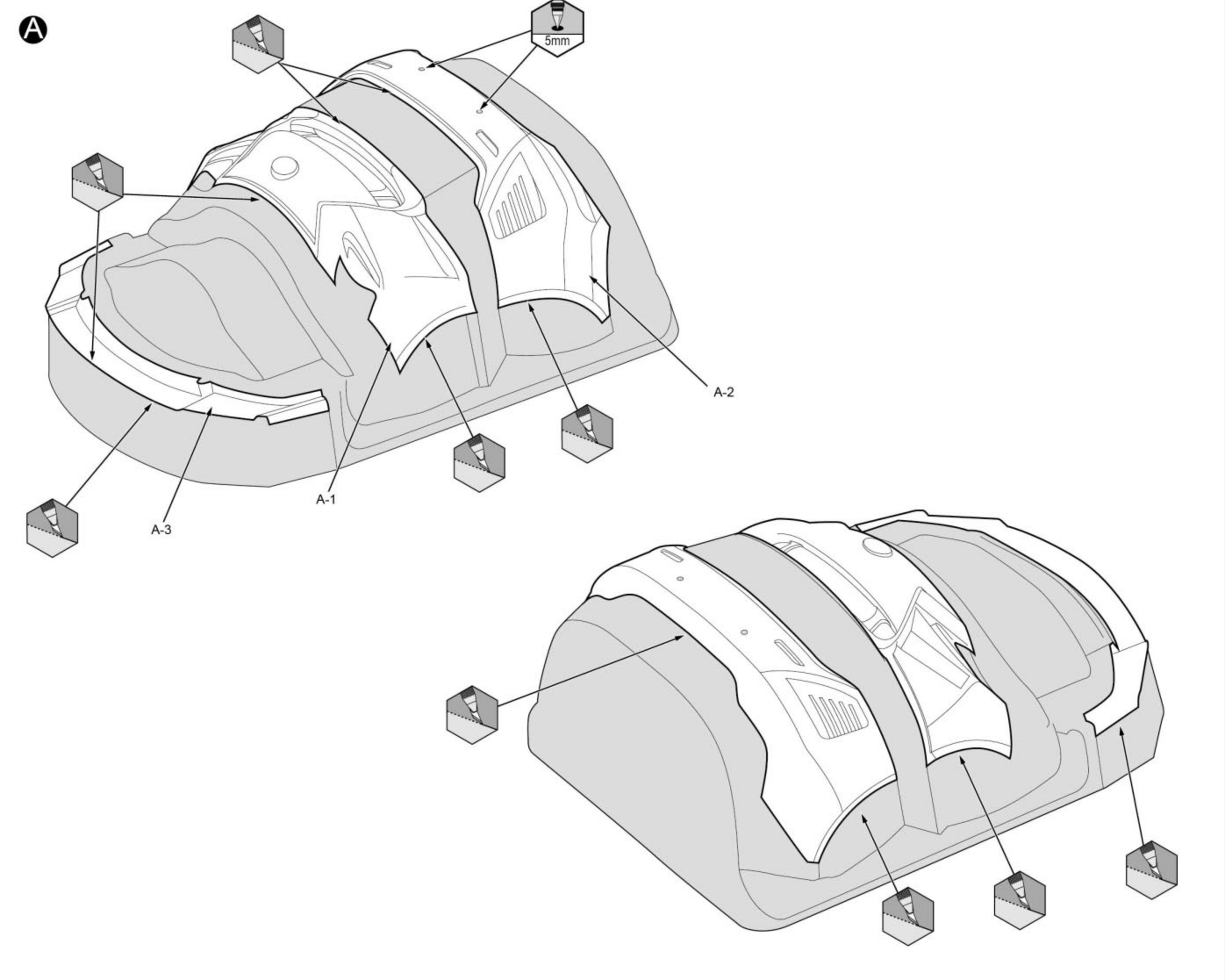
**PARTS BAG**

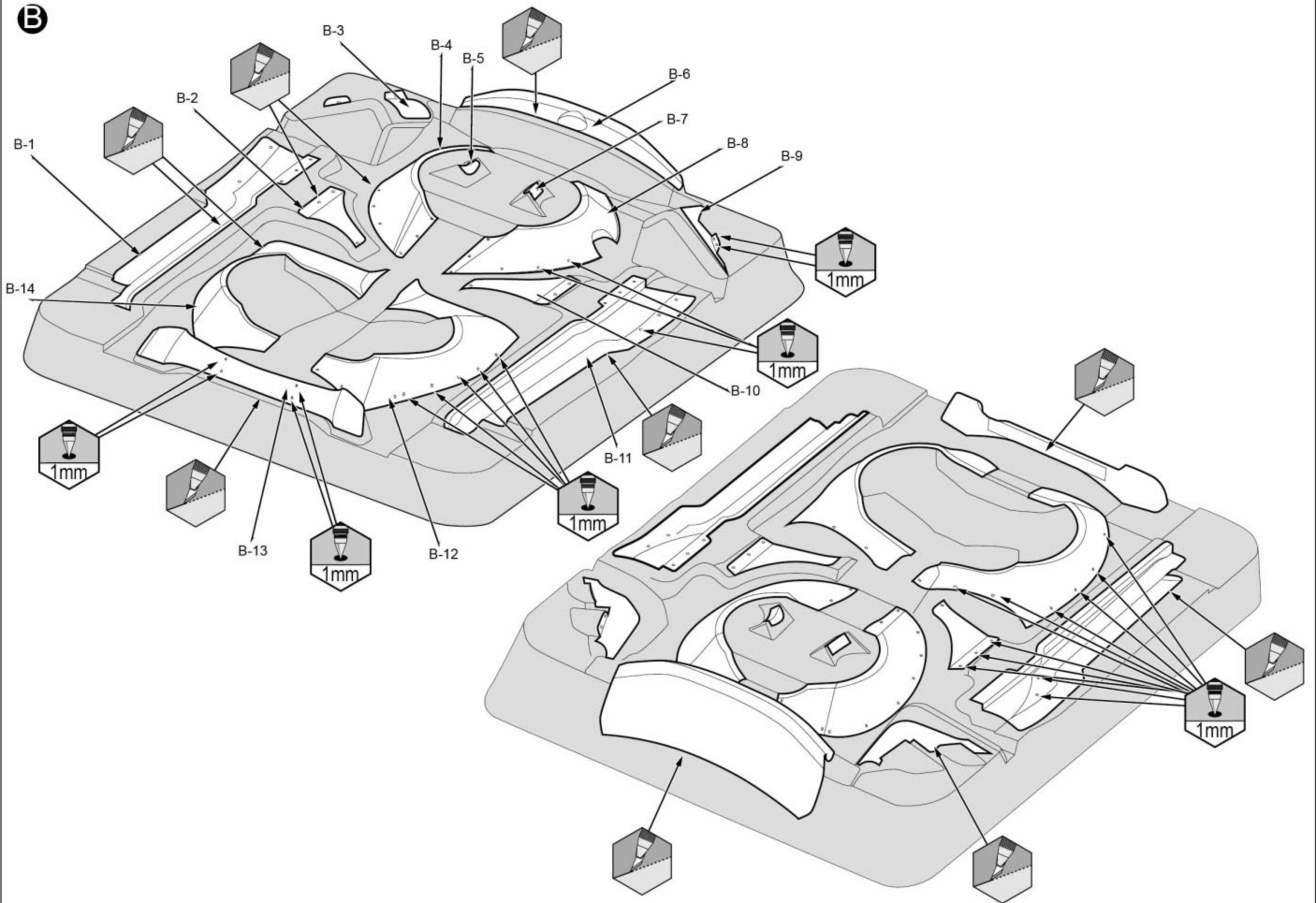
-  Screw 1.2X5mm ----- X74
-  Nut ----- X74
- Double-sided tape ----- X1

**PC PARTS**

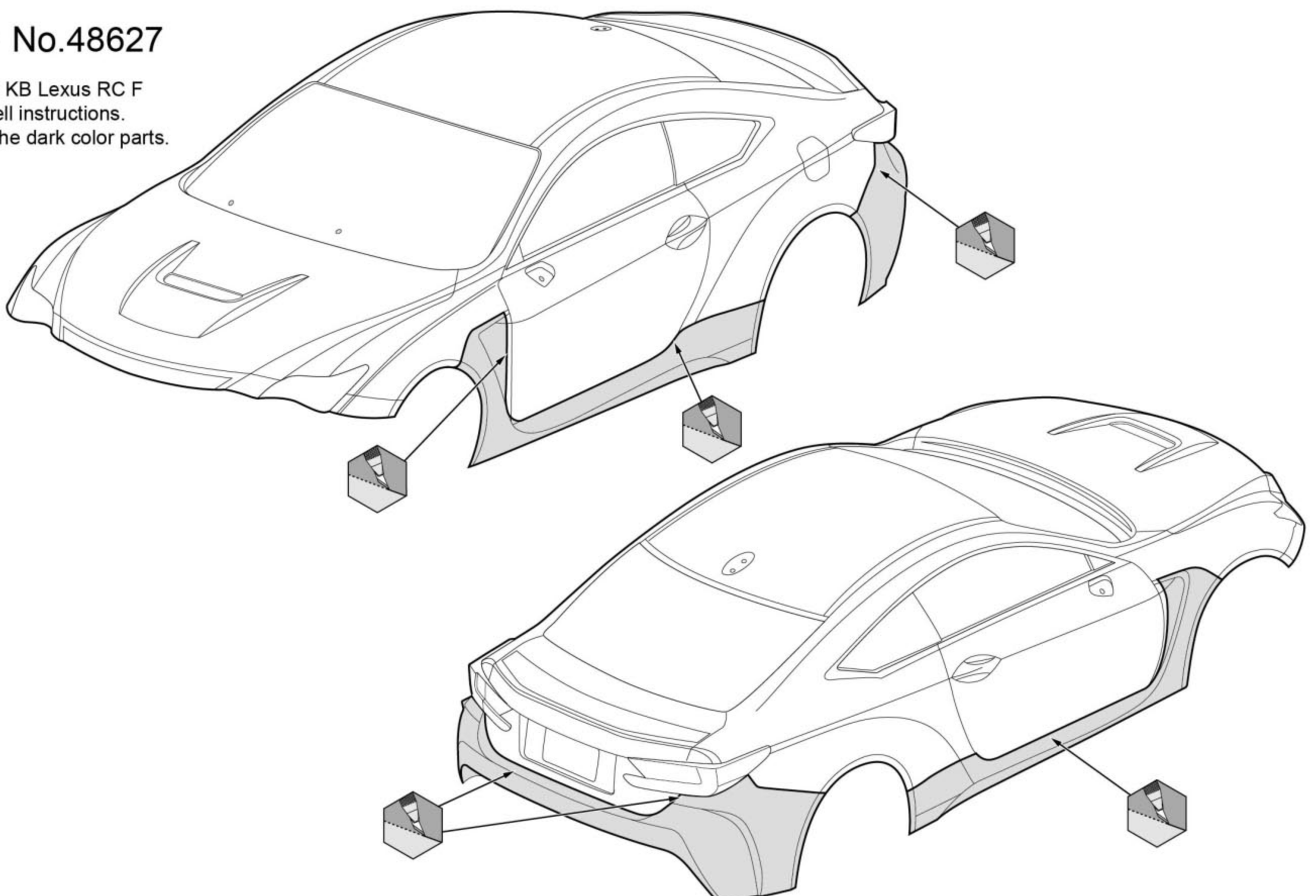


**1 Cutting**



**B****No.48627**

Refer to KB Lexus RC F  
bodyshell instructions.  
Cut off the dark color parts.



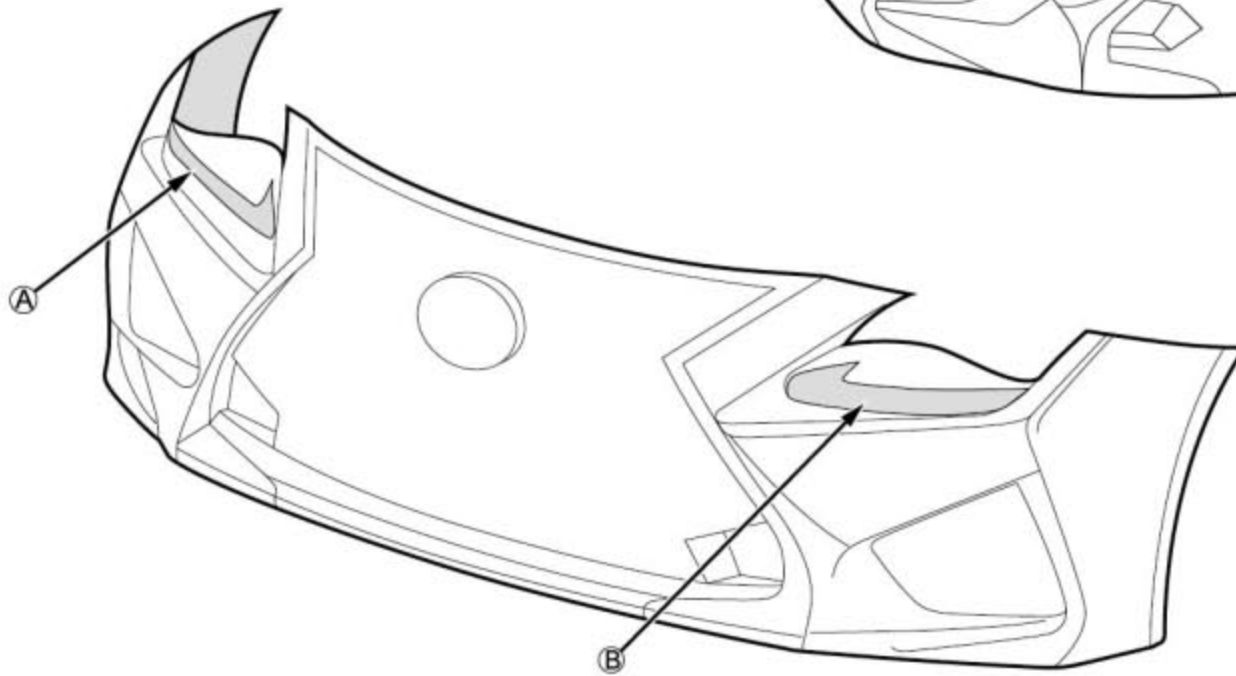
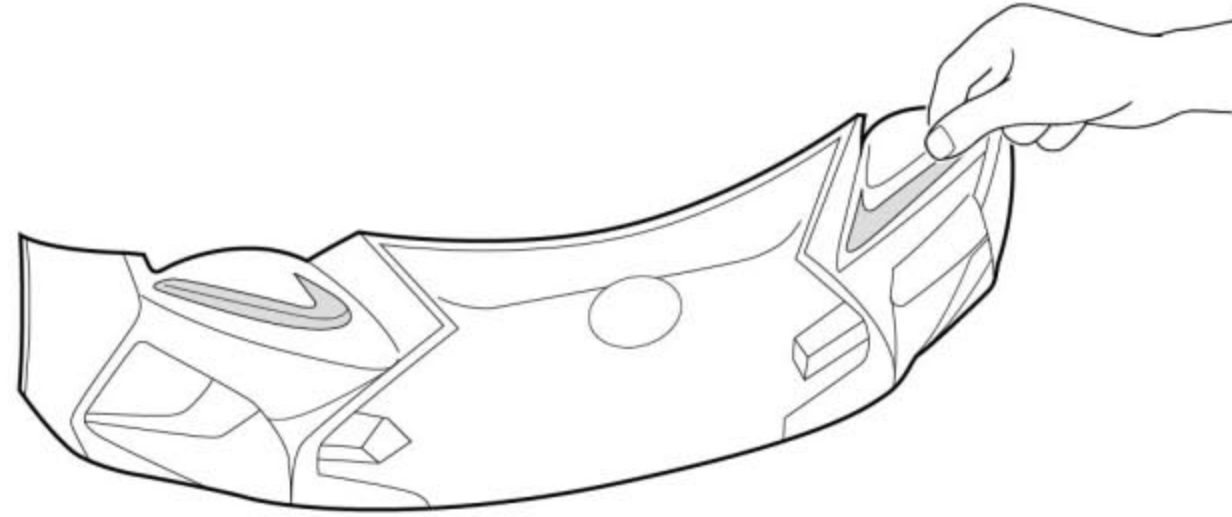
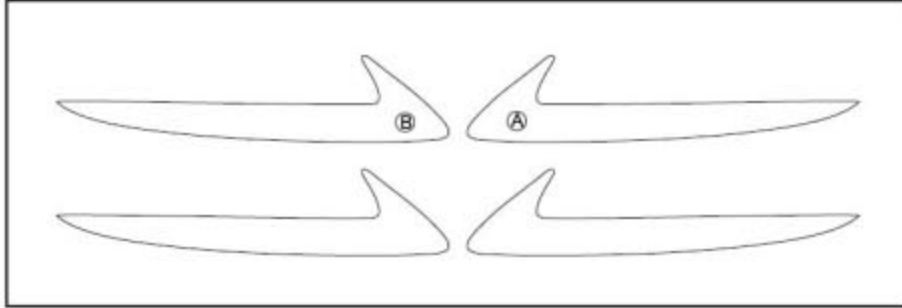
## 2 Painting

**A B**

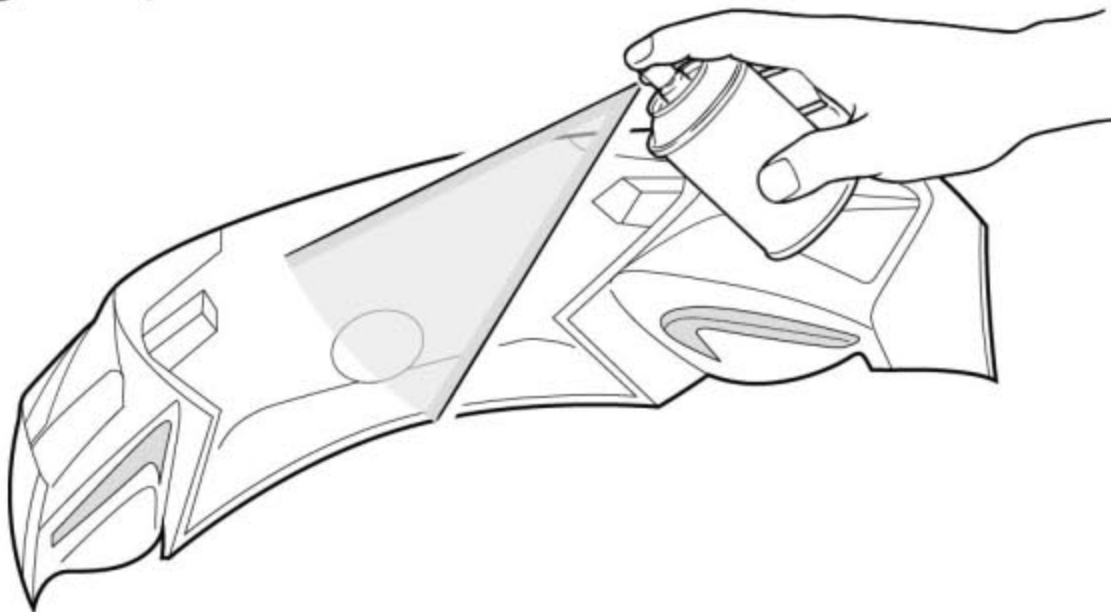
- 1 Before painting, use a neutral detergent to remove any oil residues and dirt.



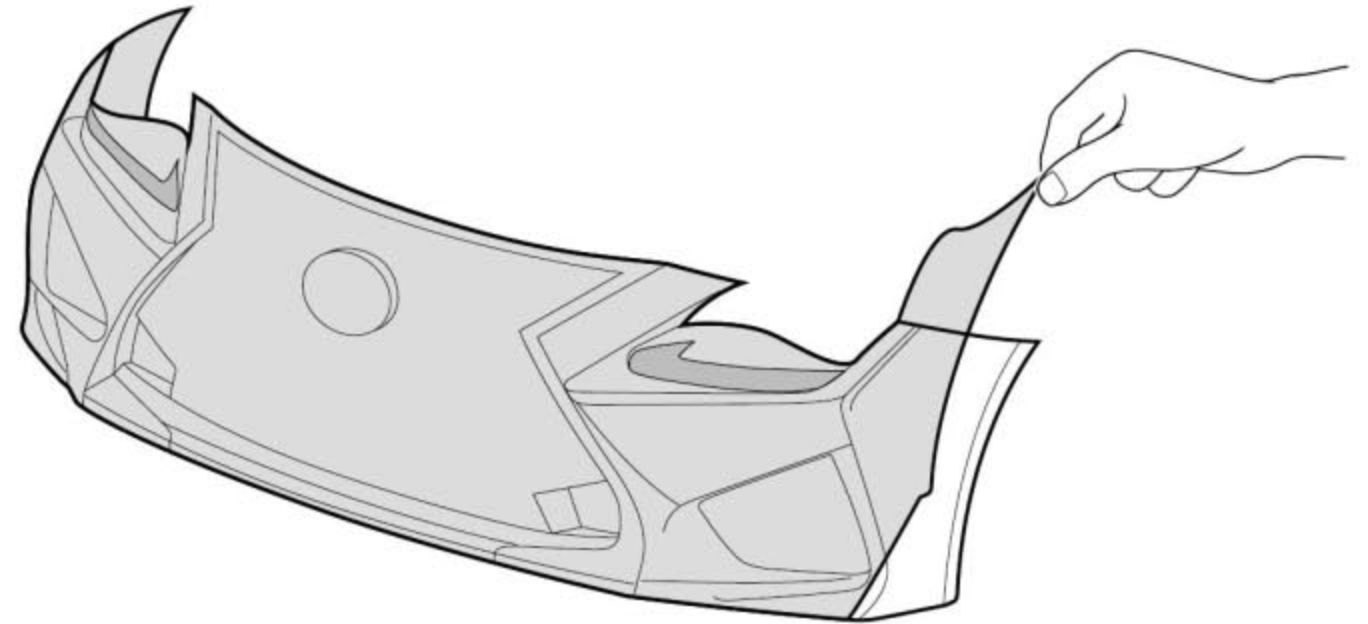
- 2 Mask the parts from inside.



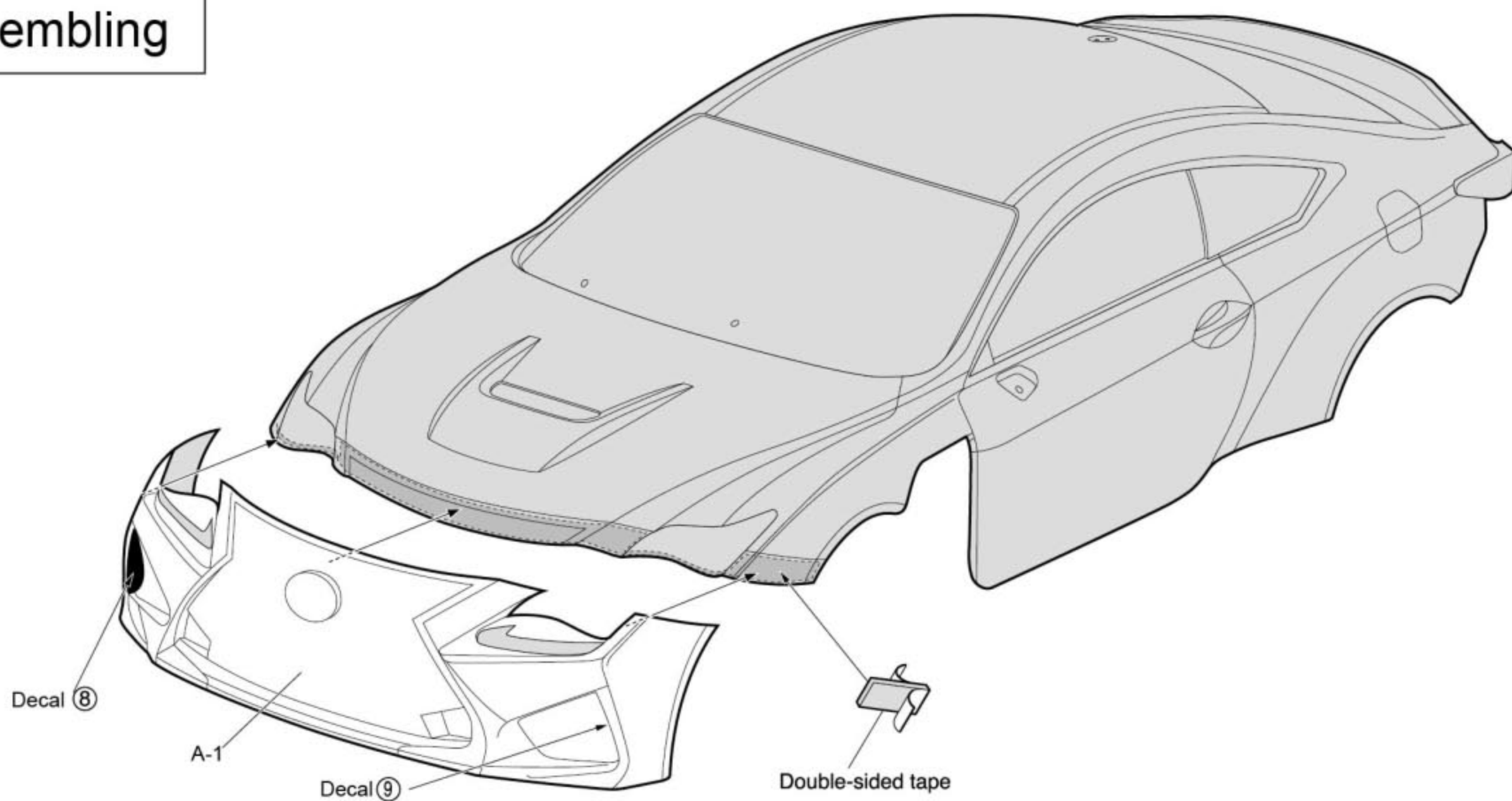
- 3 Paint A, B from inside.



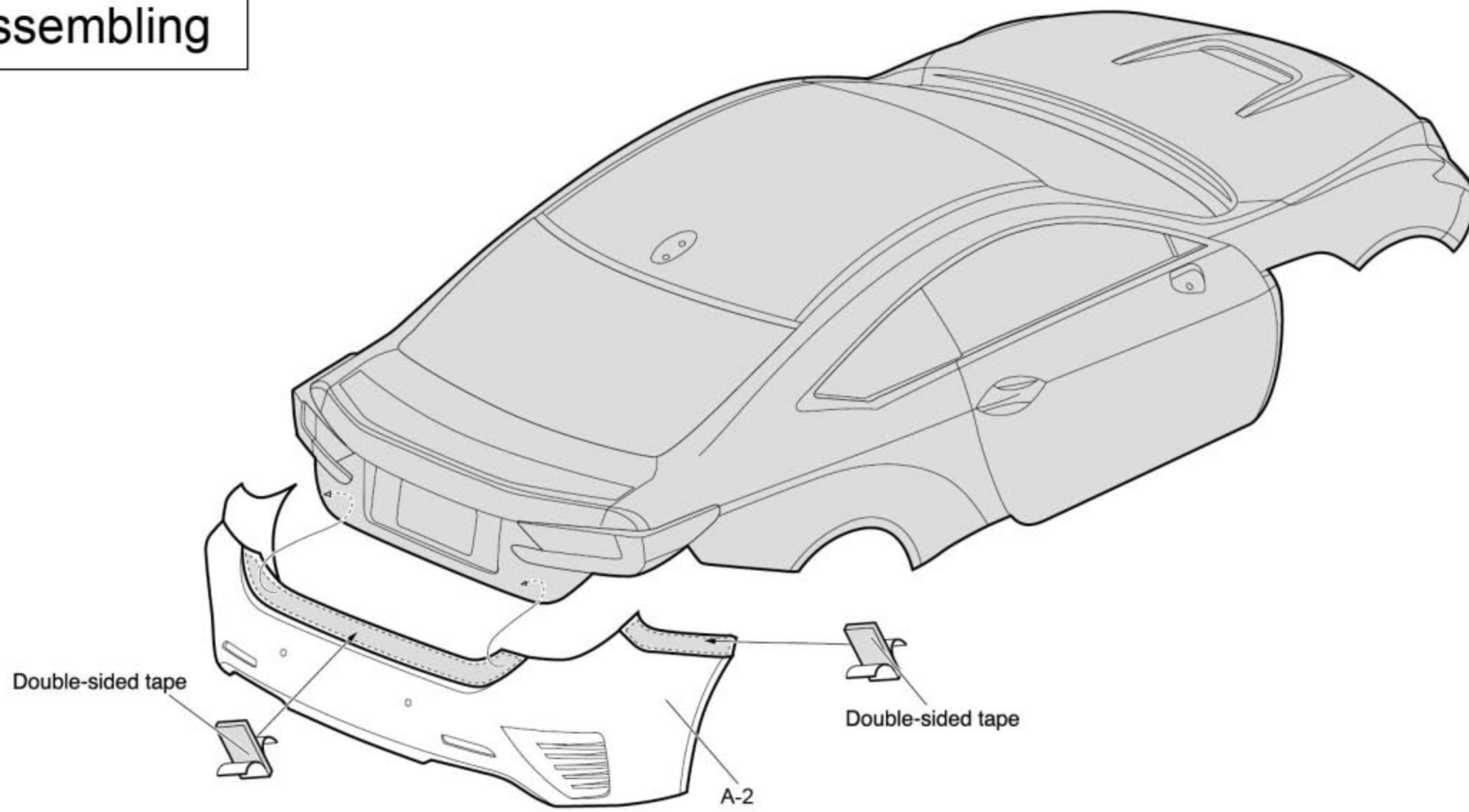
- 4 Remove the protective film from outside.



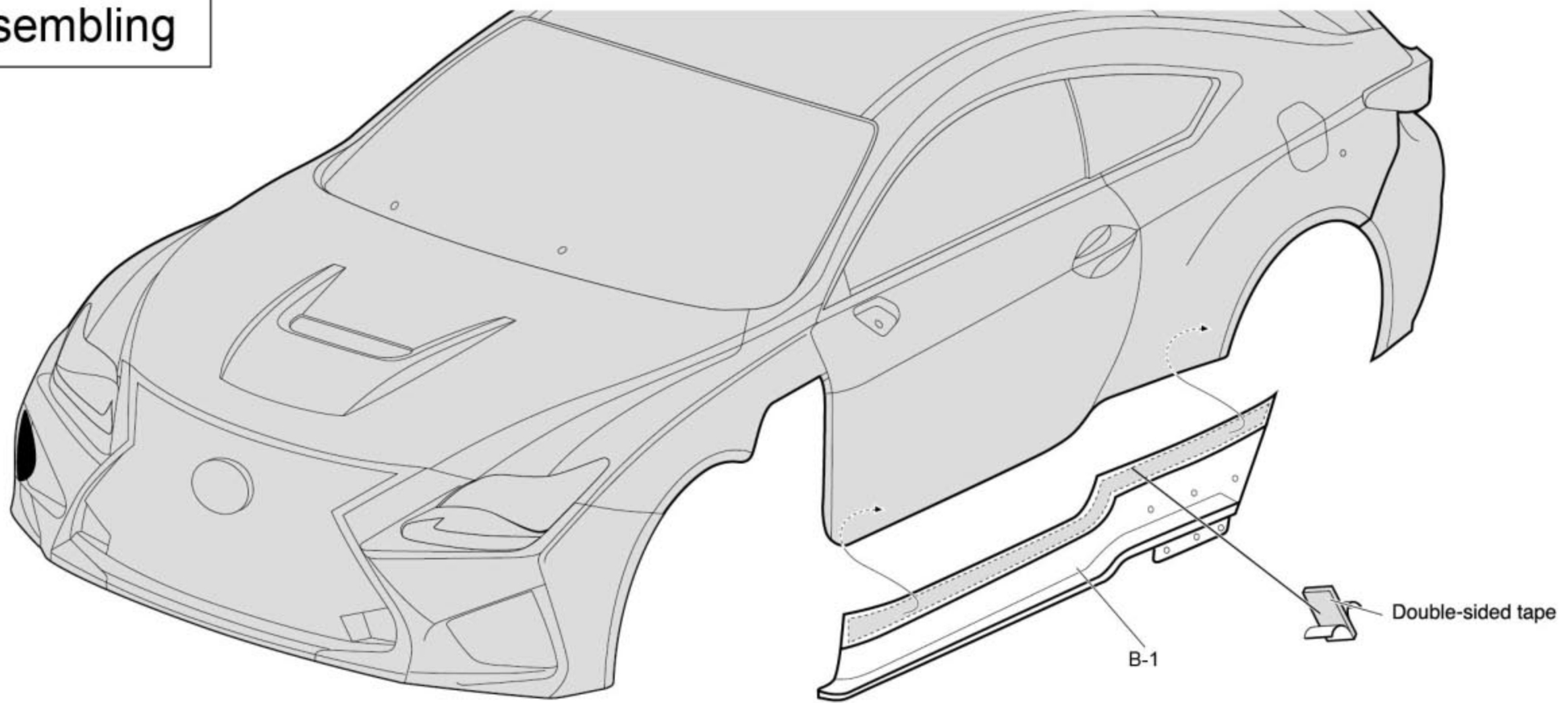
## 3 Assembling



## 4 Assembling

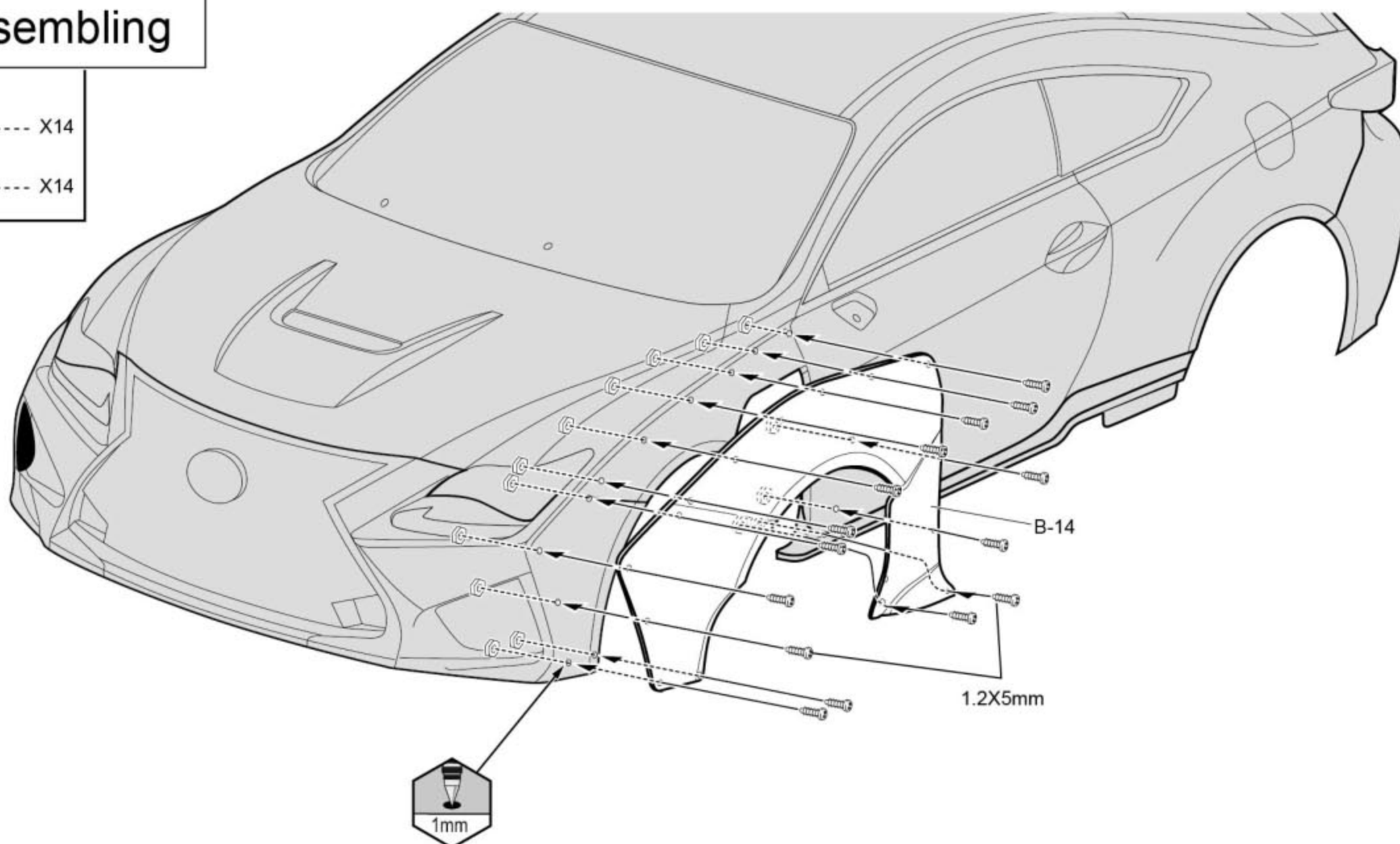


## 5 Assembling



## 6 Assembling

- |               |       |     |
|---------------|-------|-----|
| Screw 1.2X5mm | ----- | X14 |
| Nut           | ----- | X14 |



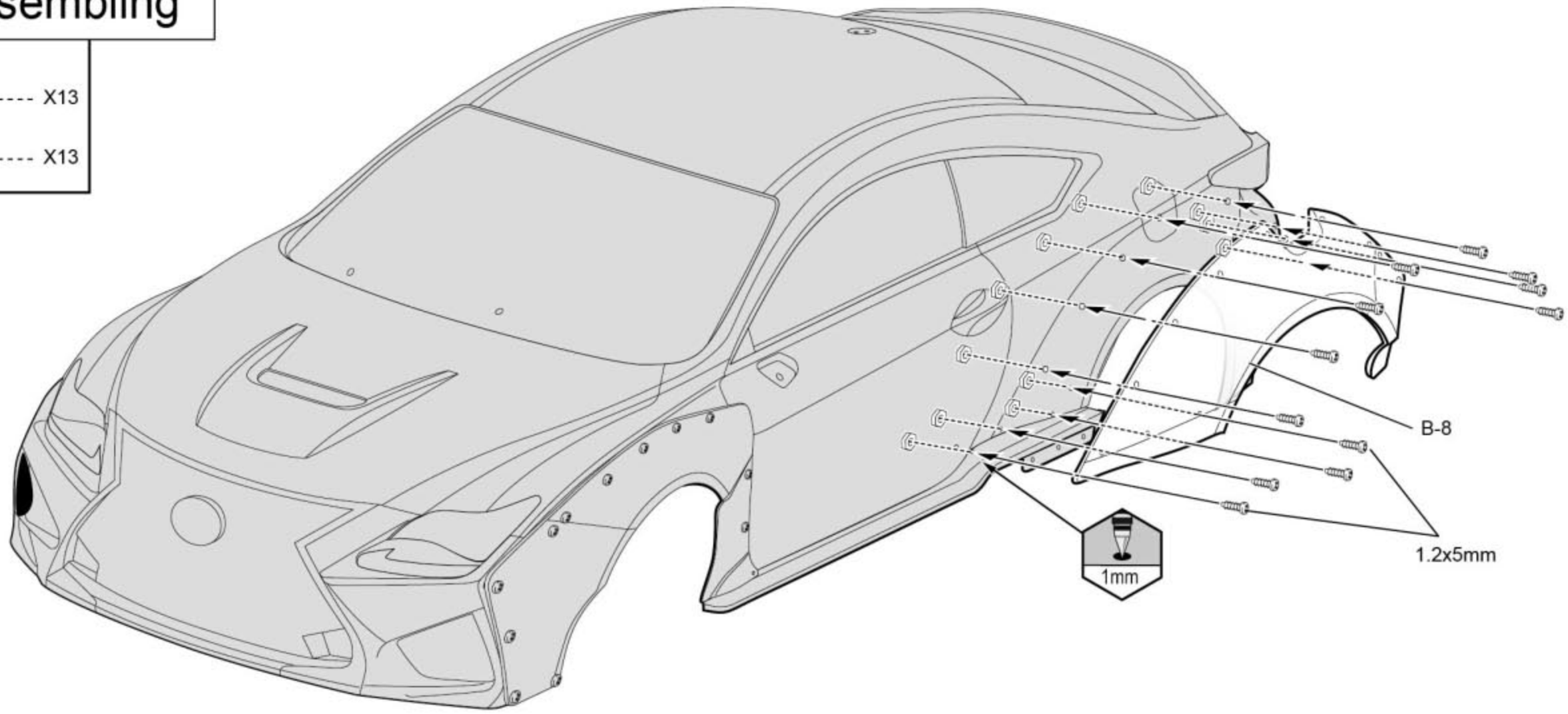
## 7 Assembling

Screw 1.2X5mm

----- X13

Nut

----- X13



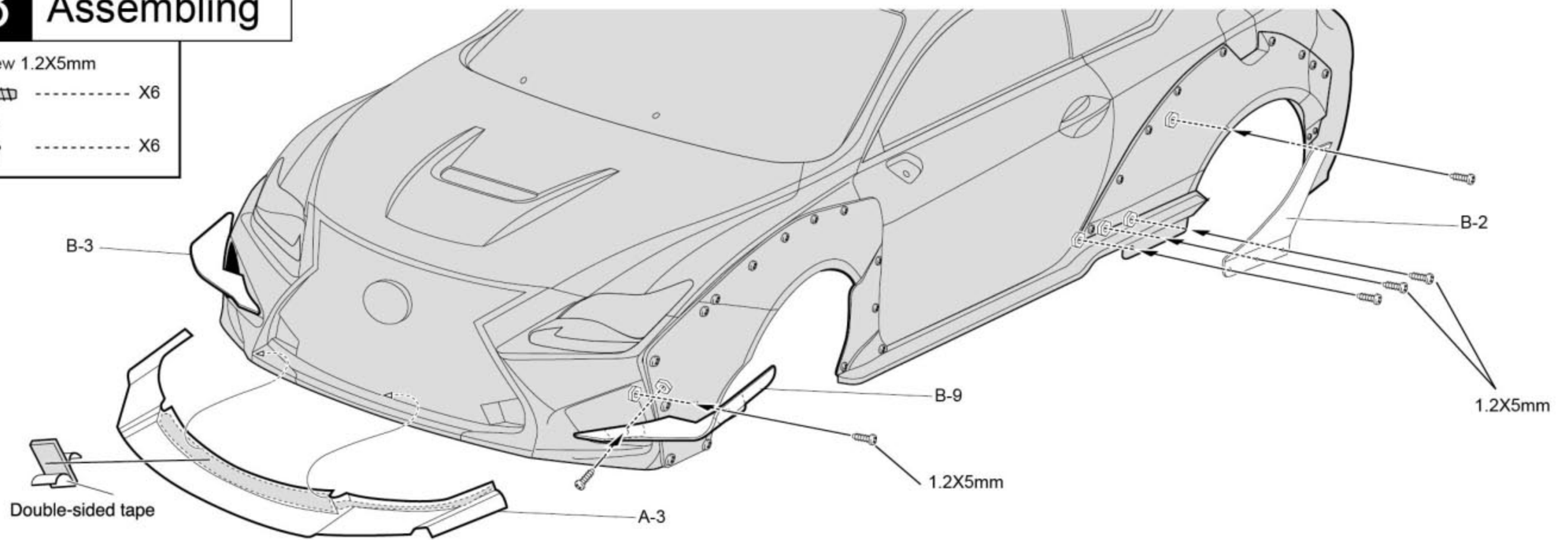
## 8 Assembling

Screw 1.2X5mm

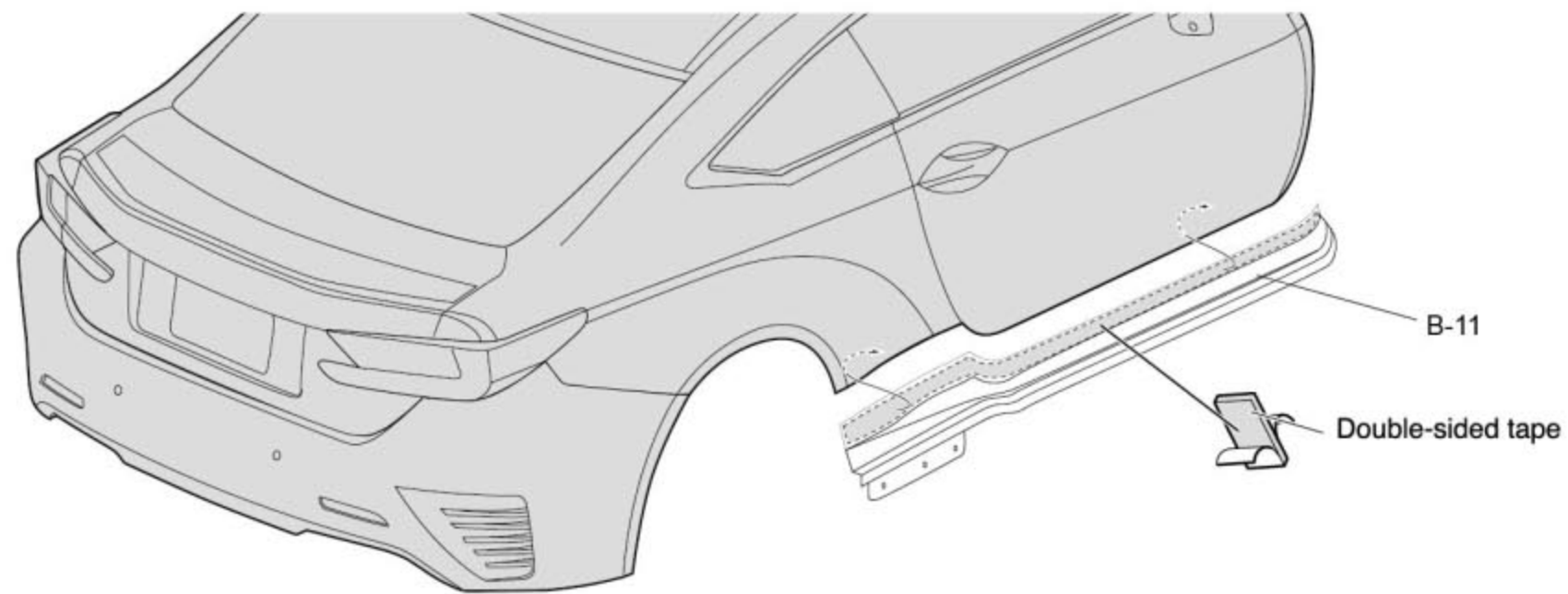
----- X6

Nut

----- X6



## 9 Assembling



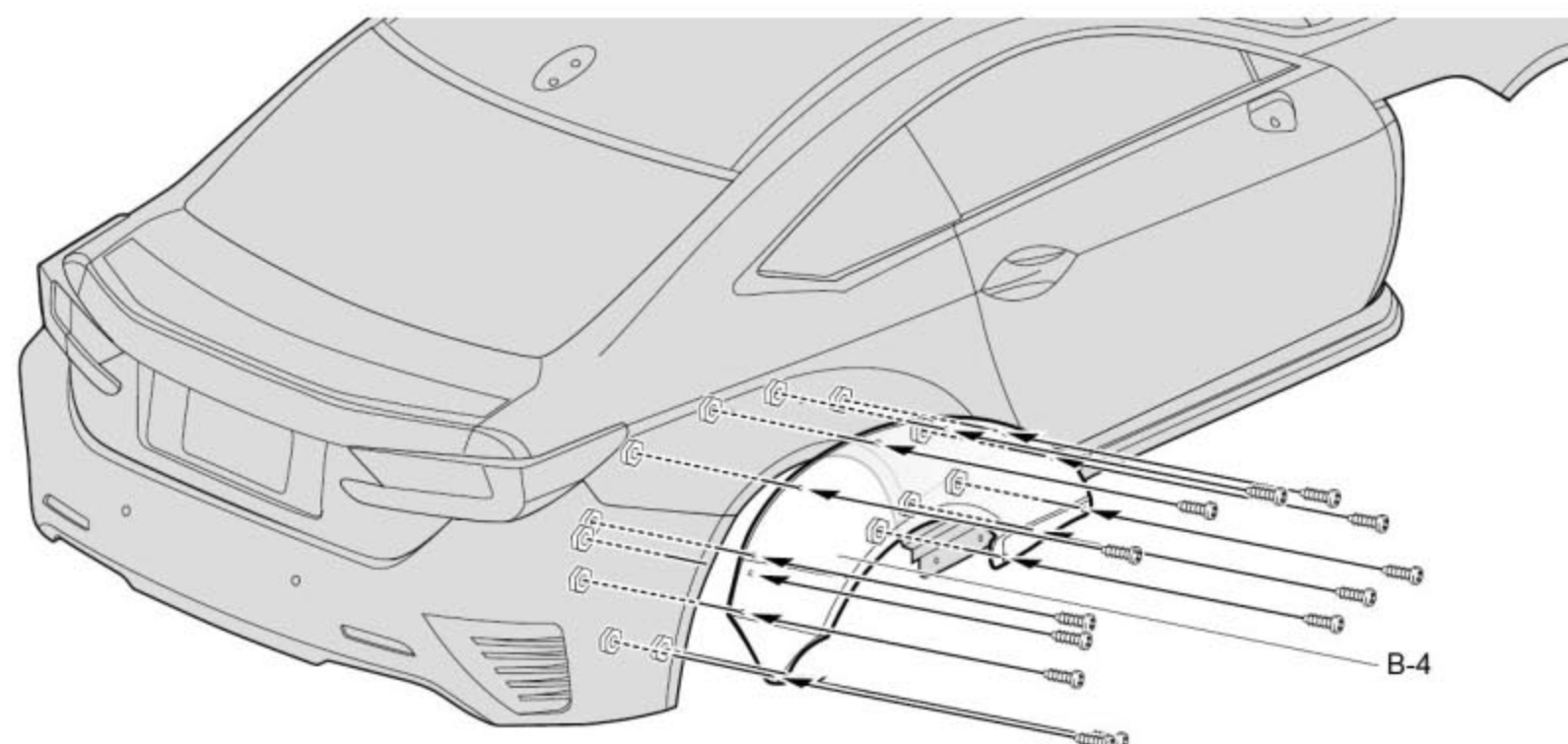
## 10 Assembling

Screw 1.2X5mm

----- X13

Nut

----- X13



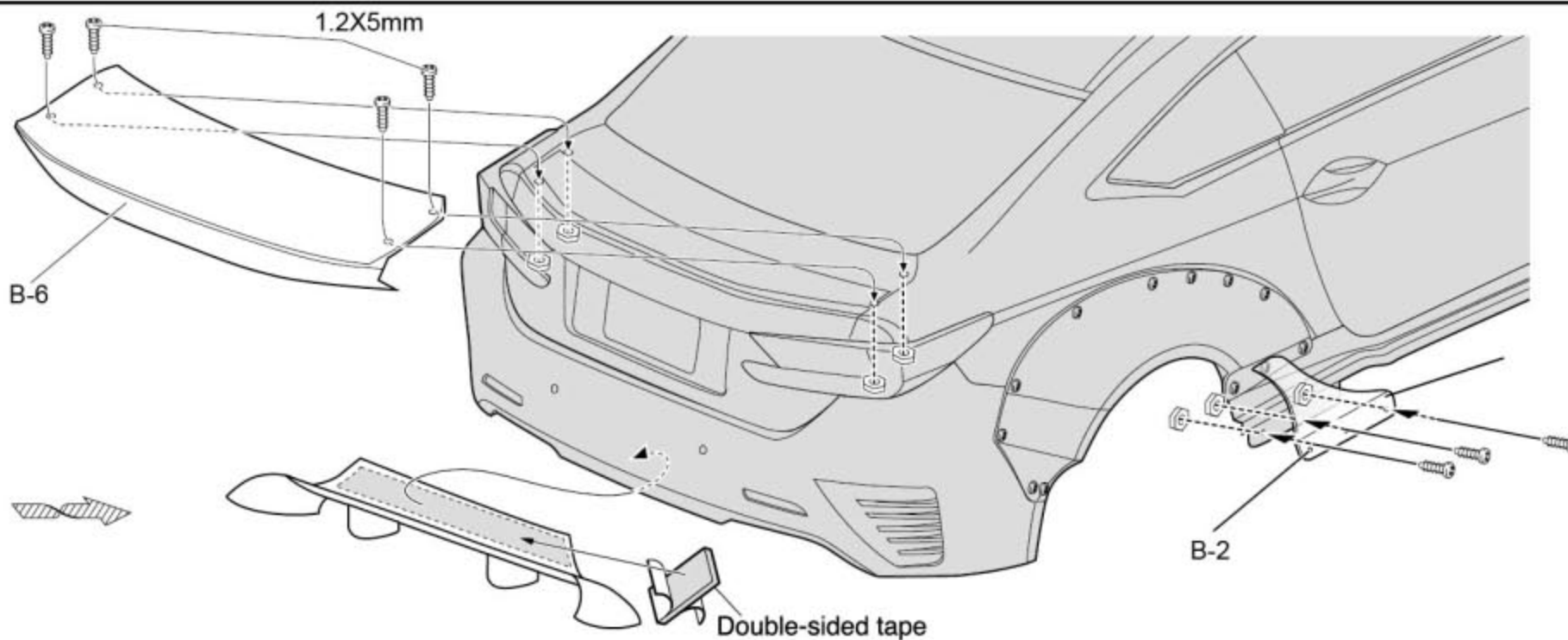
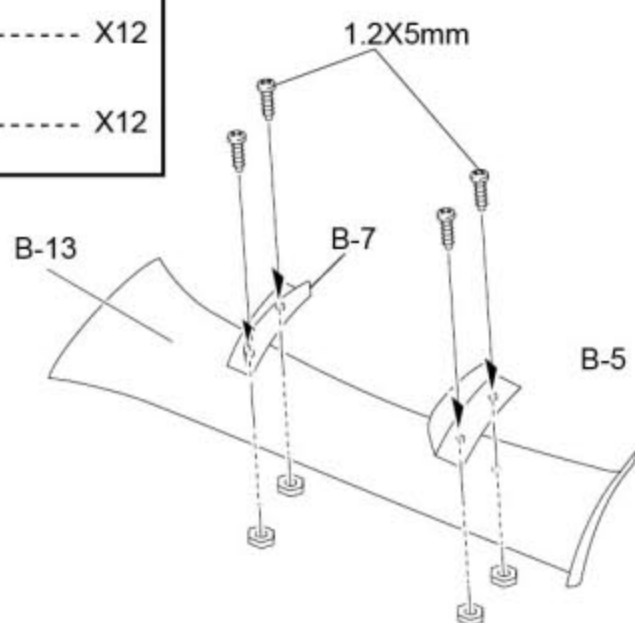
# 11 Assembling

Screw 1.2X5mm

----- X12

Nut

----- X12



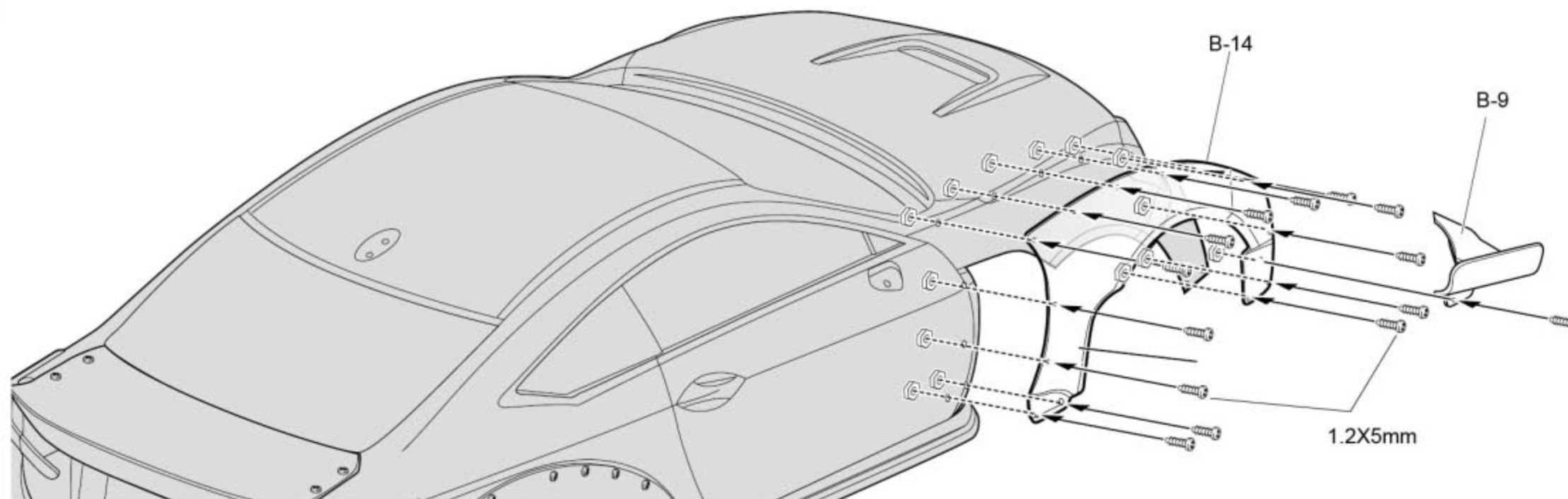
# 12 Assembling

Screw 1.2X5mm

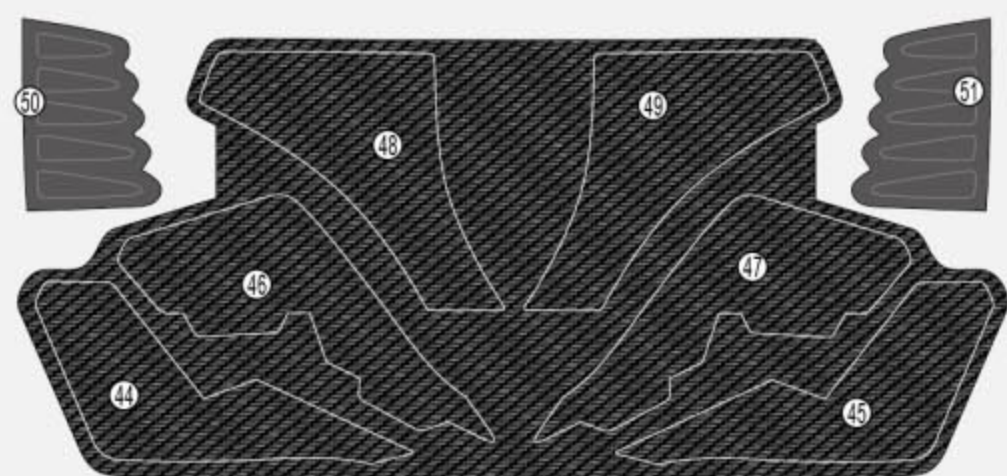
----- X16

Nut

----- X16

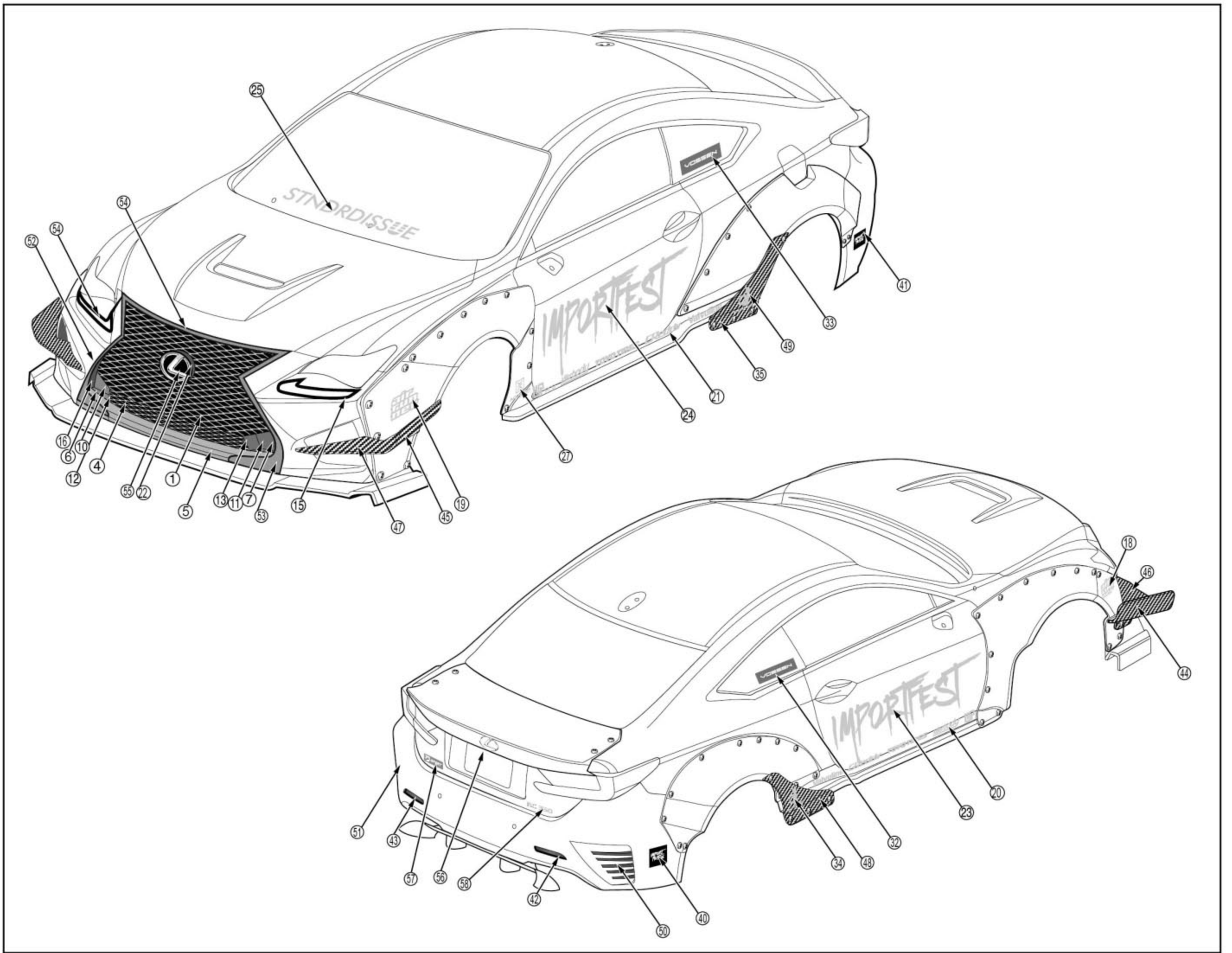


# 13 Decal




1/10 RC BODY SERIES  
Lexus RC F Wide Body Full Kit 48659  
rc.killerbody.com

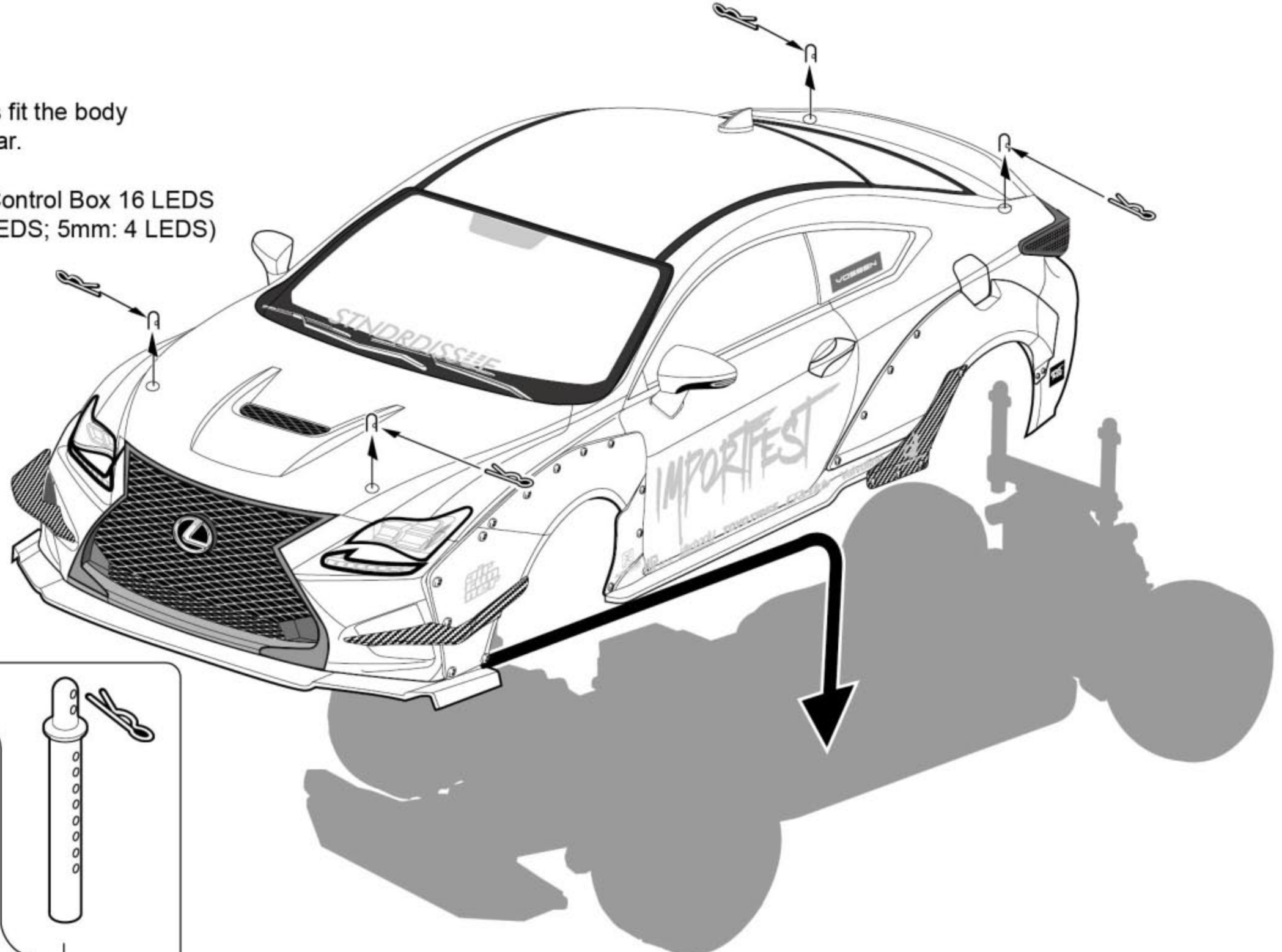
killerbody MILLERBODY IND. LTD  
© 2017 MILLERBODY




# 14 Finished

 For safety reasons, always fit the body shell when running your car.

 NO.48685 LED Unit Set w/Control Box 16 LEDs (3mm: 12 LEDs; 5mm: 4 LEDs)



 Use the extension body mount (sold separately) if the body mount height is not enough.

