

# Nissan Skyline (R31)

## BODY SHELL

Official Licensed Product

### NO.48630

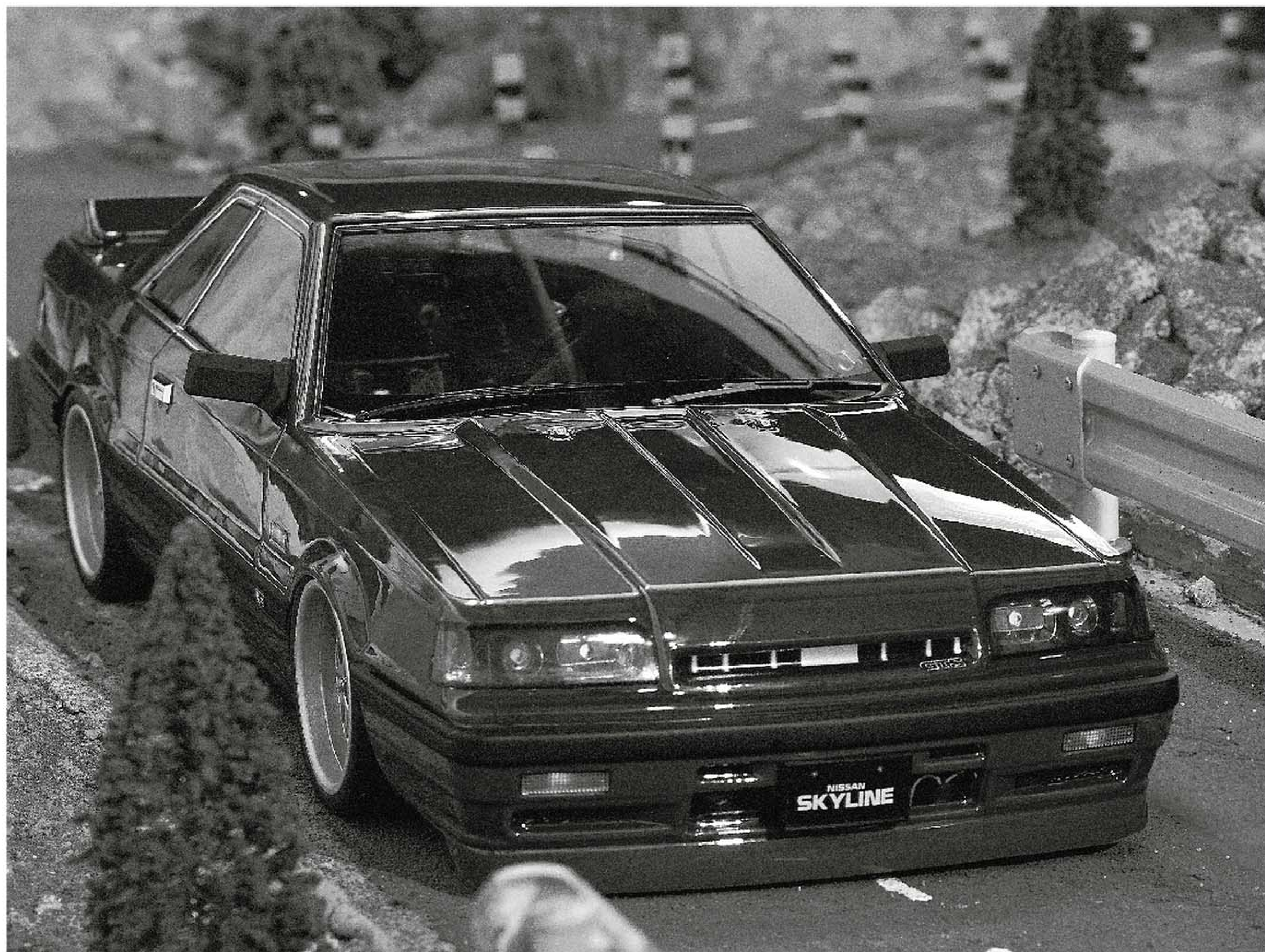
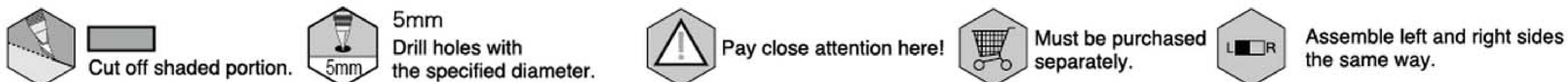
# killerbody™

## 1/10 RC PLANNING INSTRUCTION SHEET

This body can be used with 1/10 electric touring car chassis (Long Wheelbase: 257mm Width: 190mm)

### Before beginning assembly, please read these instructions thoroughly!

● Symbols used throughout the instruction manual, comprise:



### ● Before Assembly

#### Decoration Body

- ▶ In the case of a decoration body, please assemble it according to the contents showed.

#### When making the window transparent

- ▶ If you want to make the window transparent with a non decoration body, please assemble it according to the contents showed.

#### Non Decoration Body

- ▶ In the case of non decoration body, please assemble it according to the contents showed.

#### When loading LED lights

- ▶ If you want to load LED lights with a non decoration body, please assemble it according to the contents showed.

**PARTS**

- PC body ----- X1
- PC parts ----- X1
- PC print lenses ----- X2
- ABS parts ----- X1
- ABS chromed parts ----- X1
- Decal sheet (chromed) ----- X1
- Window masks ----- X1

Silver mirror decal ----- X1

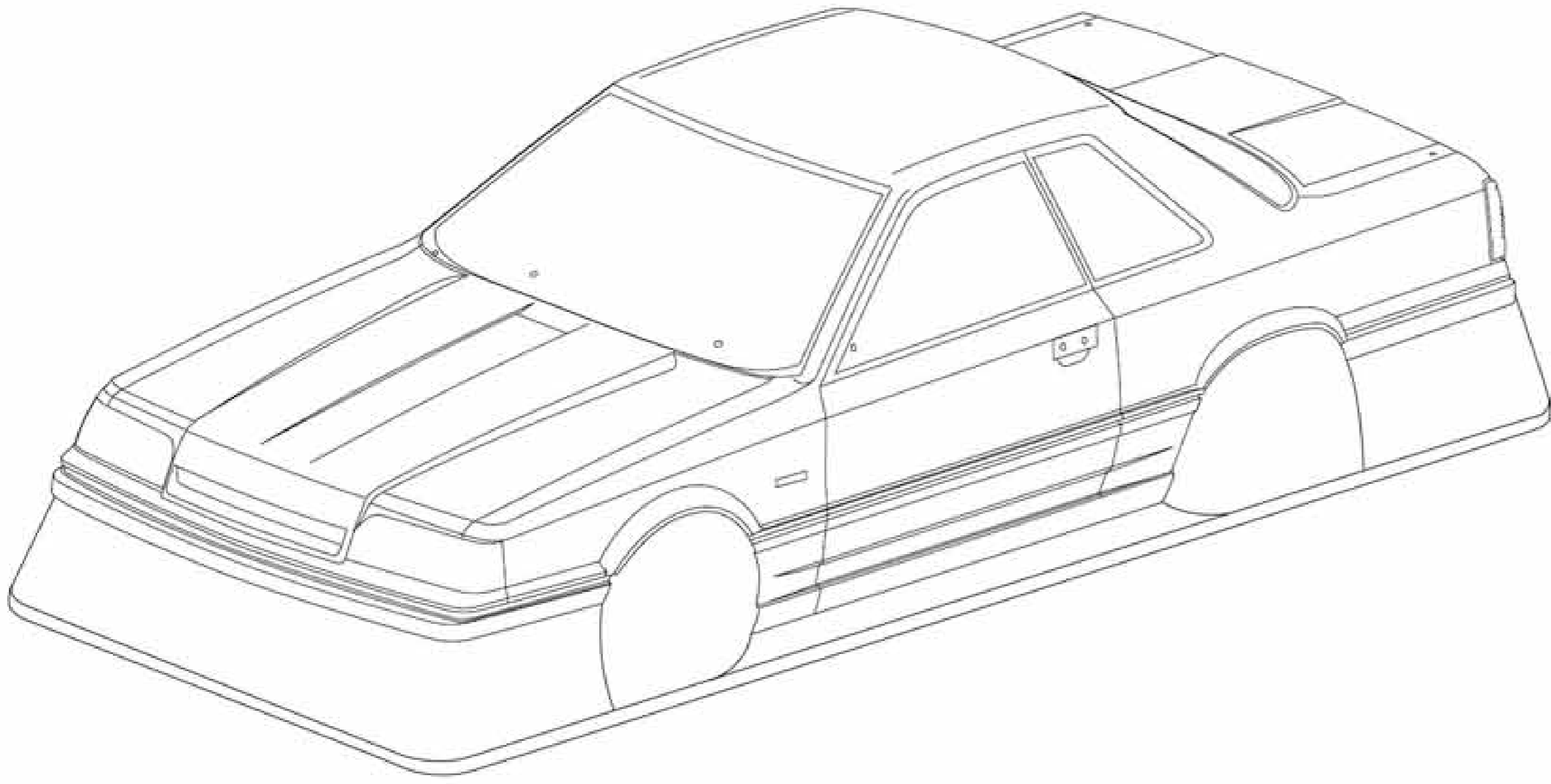


**PARTS BAG**

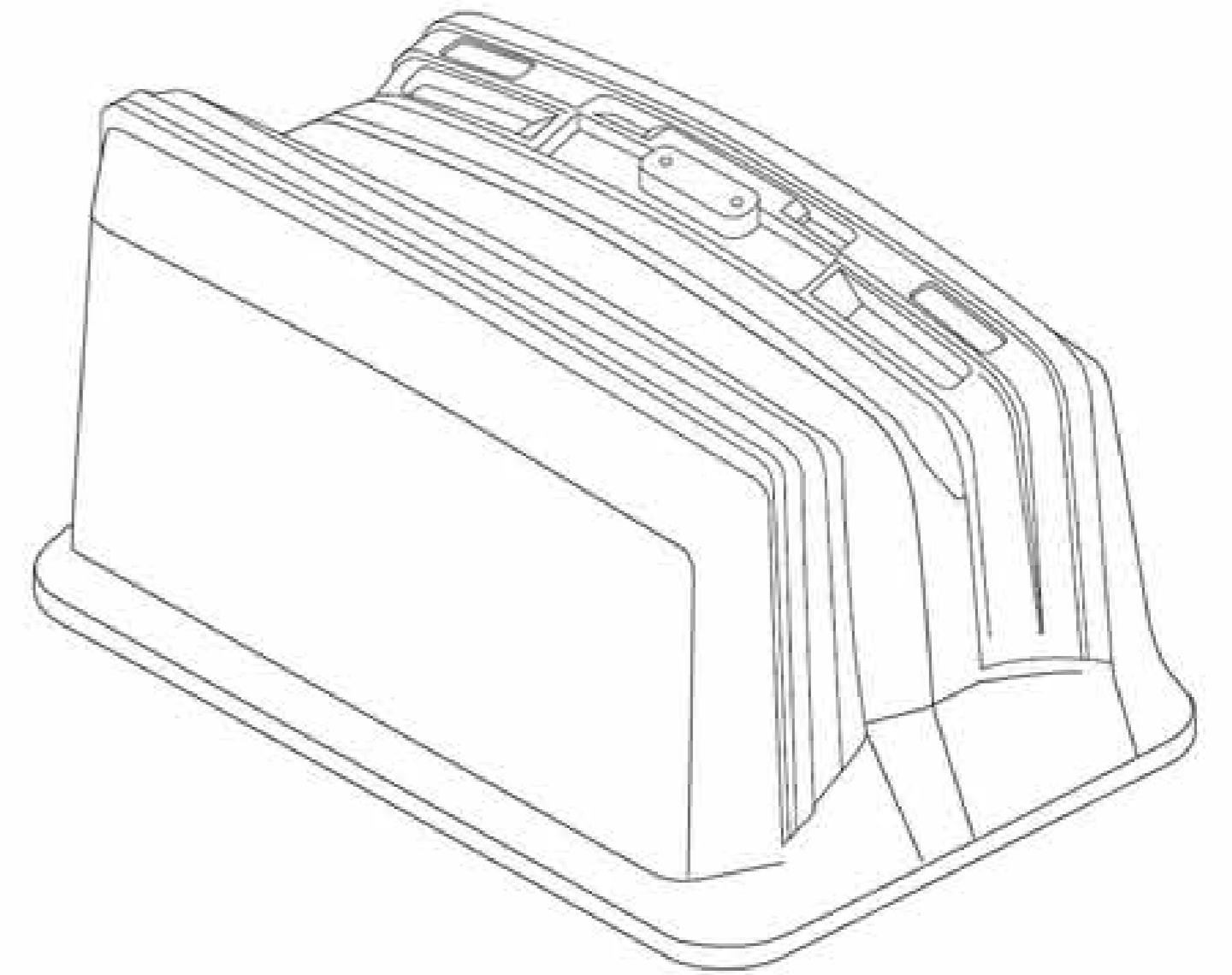
- LED stopper ----- X22
- Screw 2.3X6mm ----- X36
- Clip ----- X2
- O-Ring ----- X2
- Double-sided tape ----- X1

**PC PARTS**

**A**

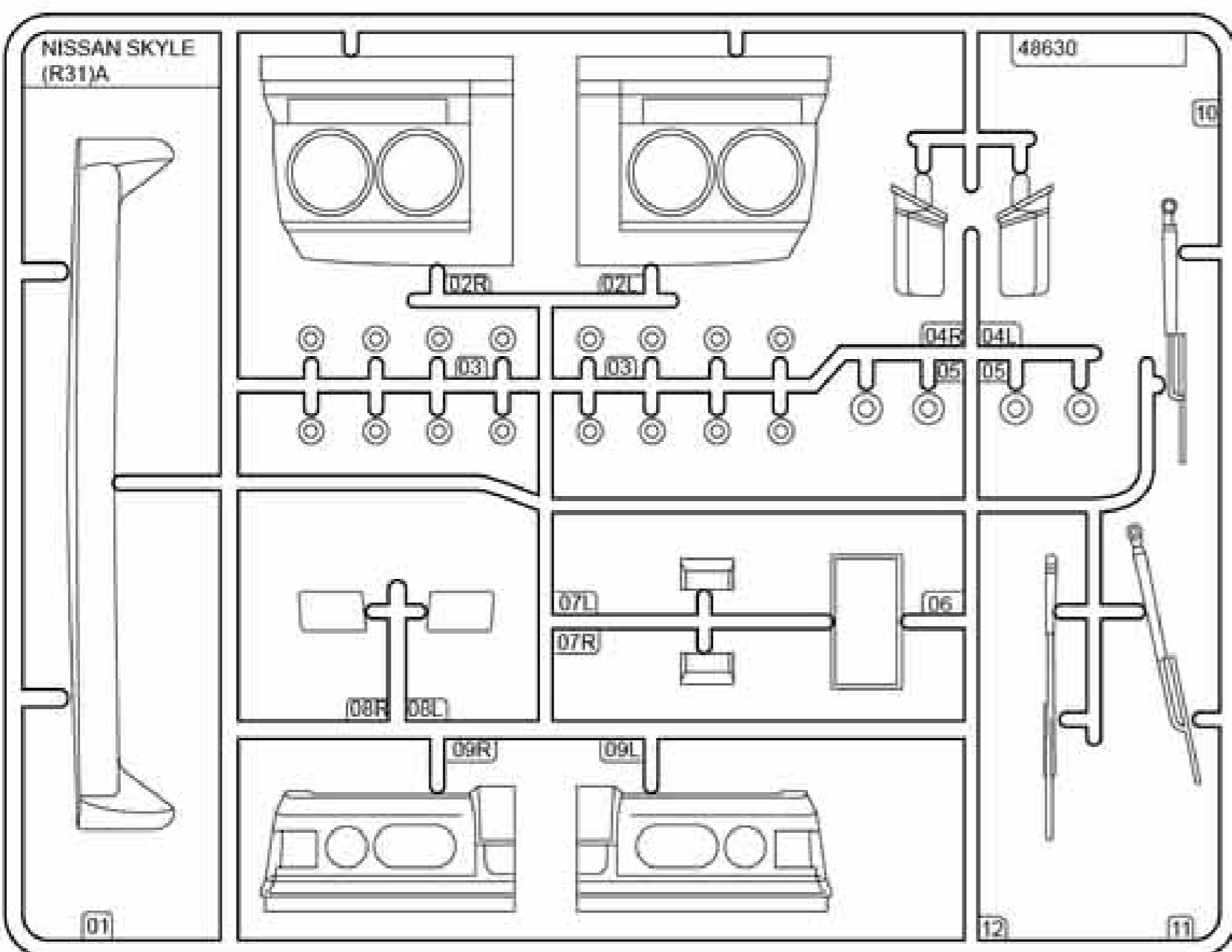


**B**

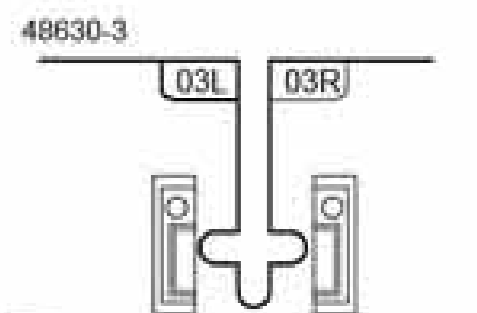
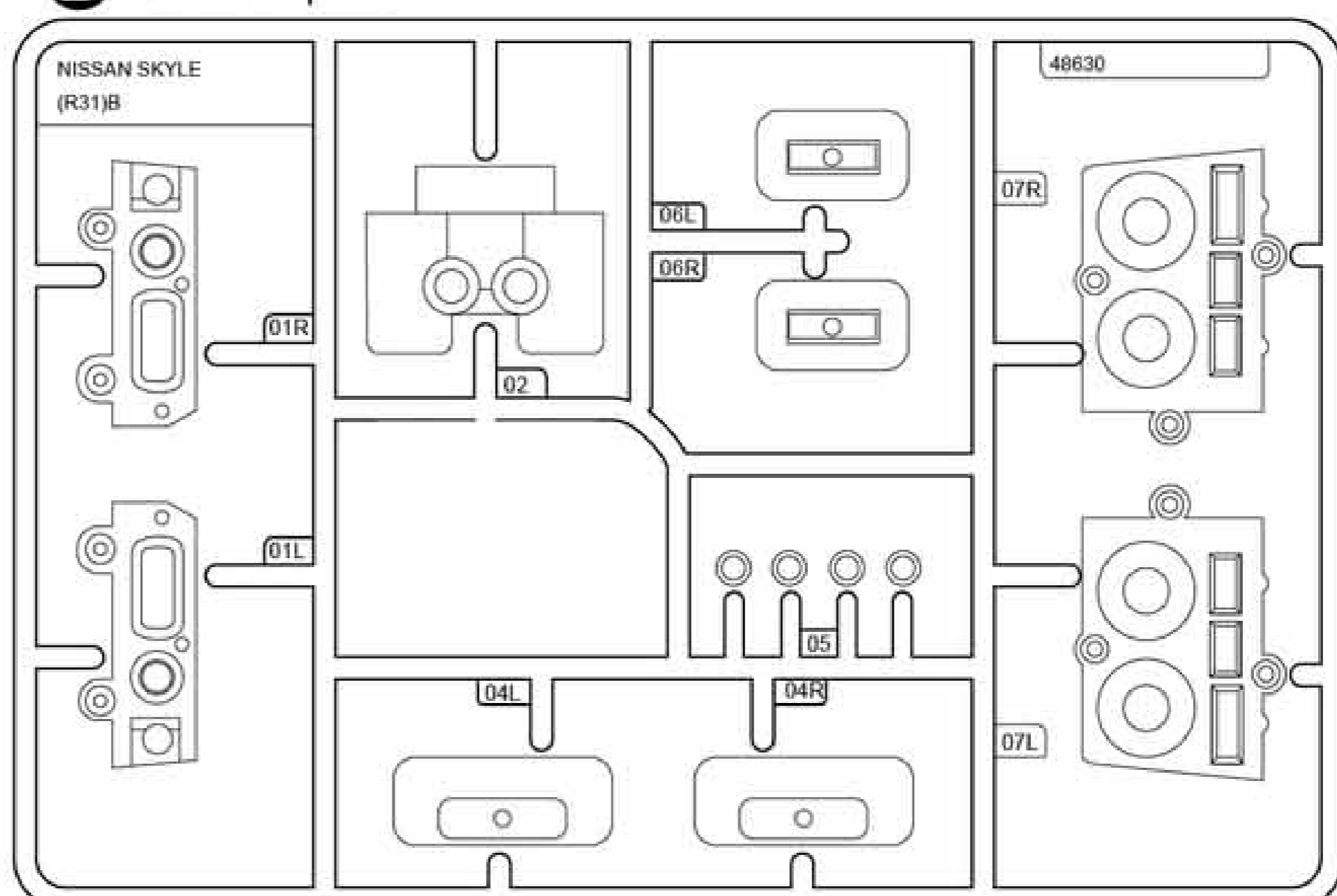


**ABS PARTS**

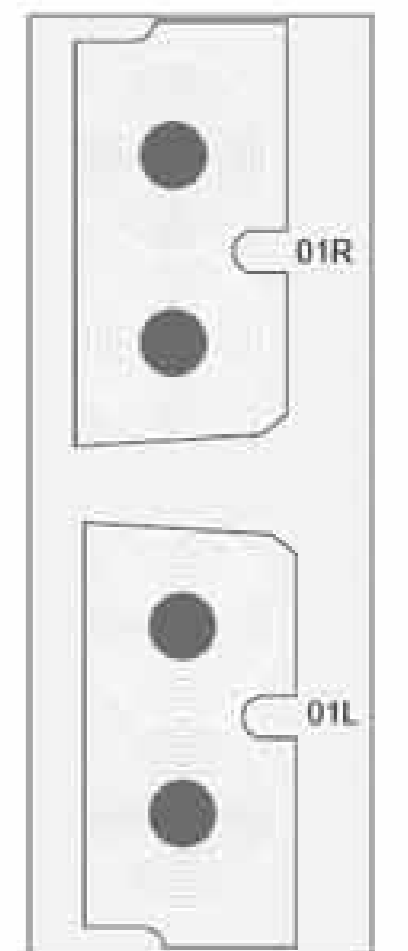
**C**



**D** Chromed parts

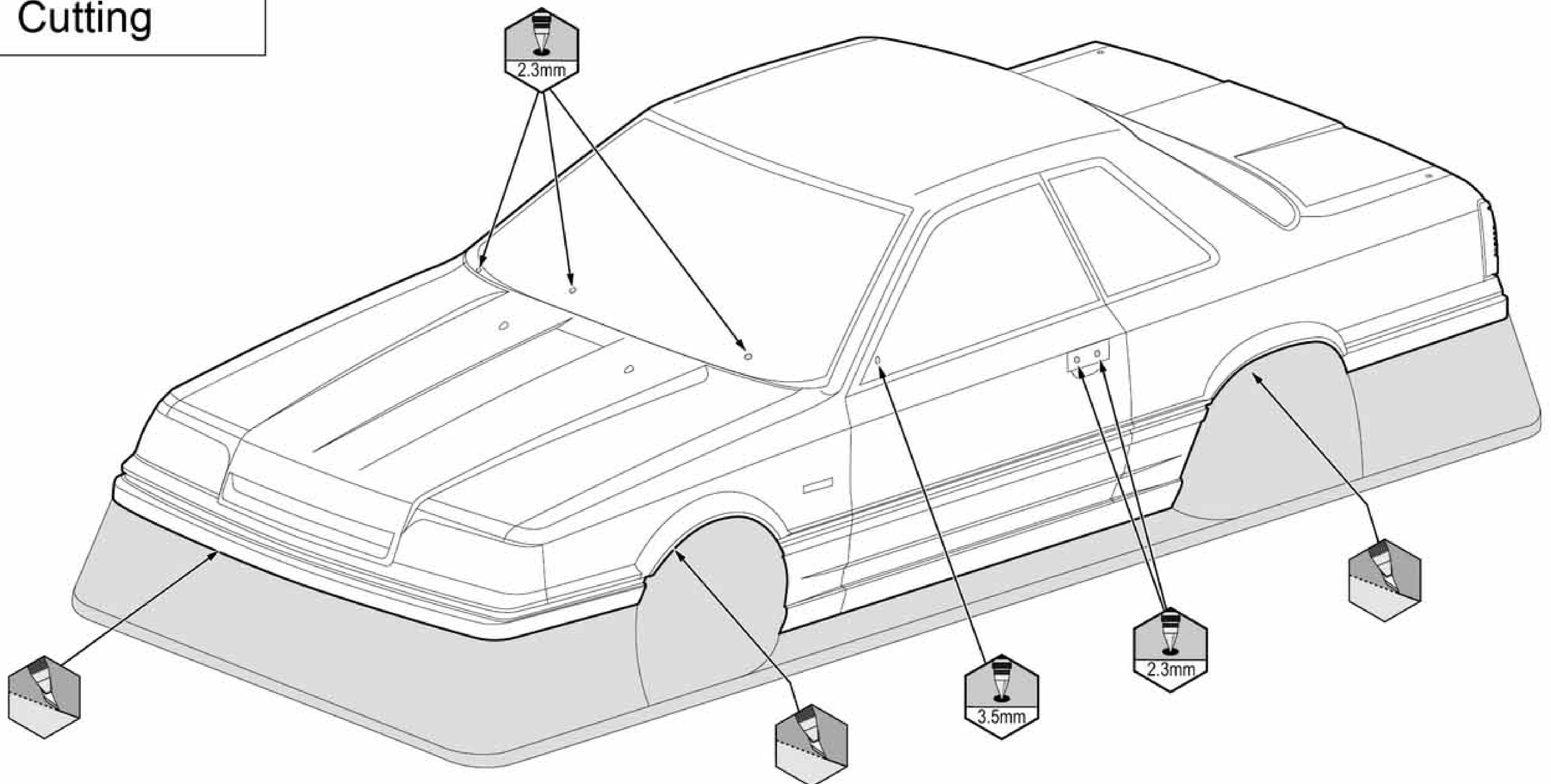


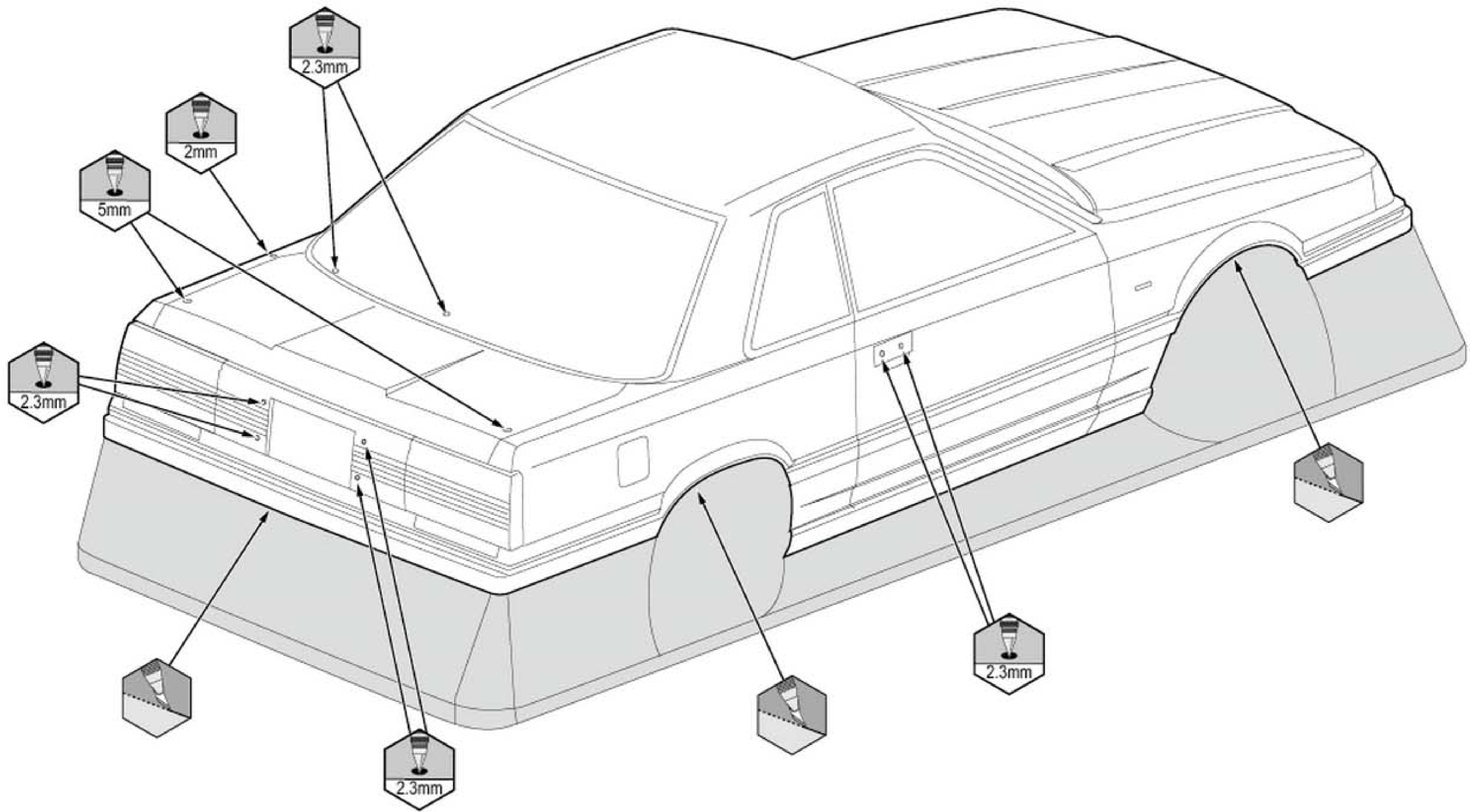
**E** PC print lenses



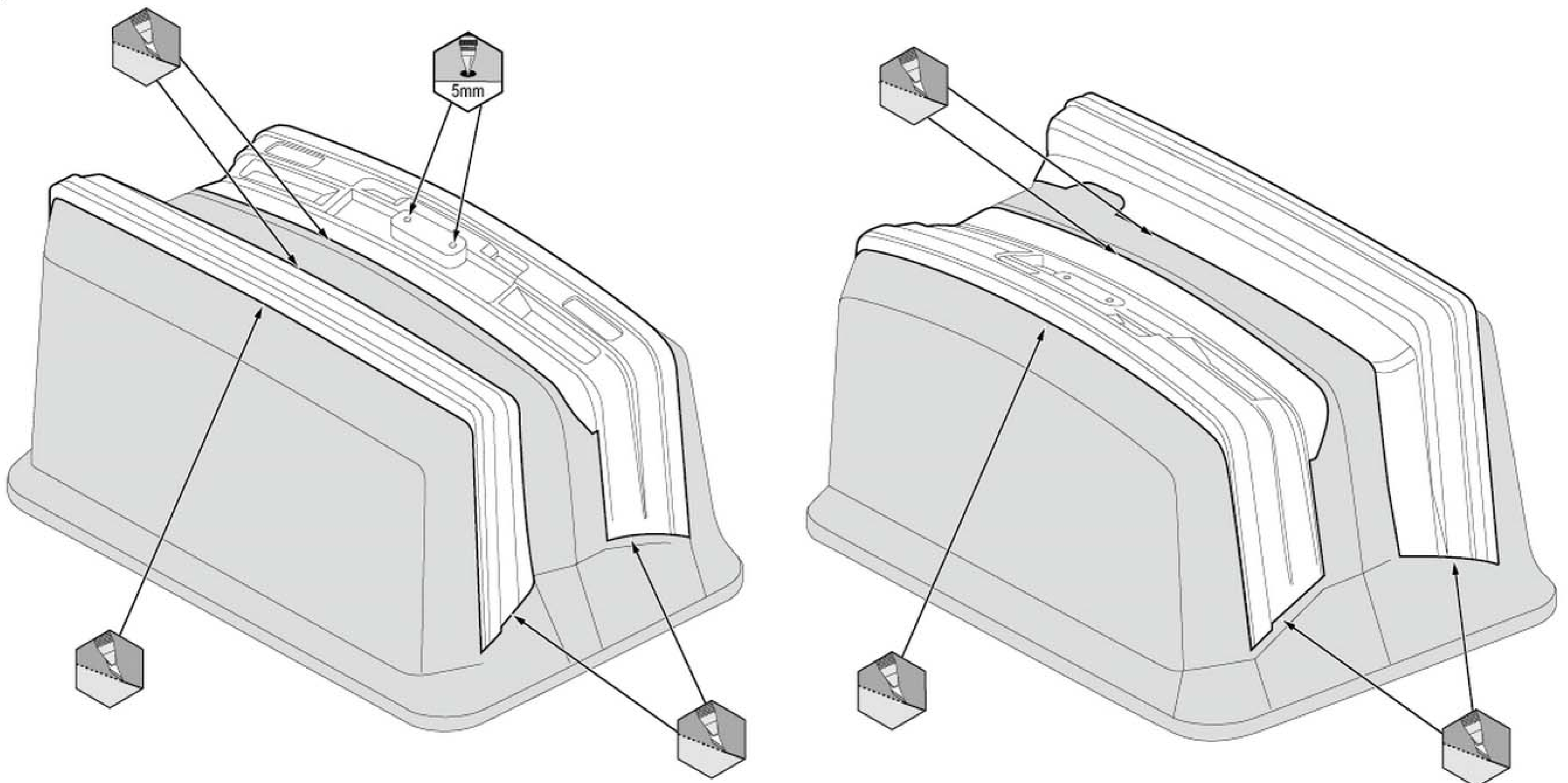
**1 Cutting**

**A**





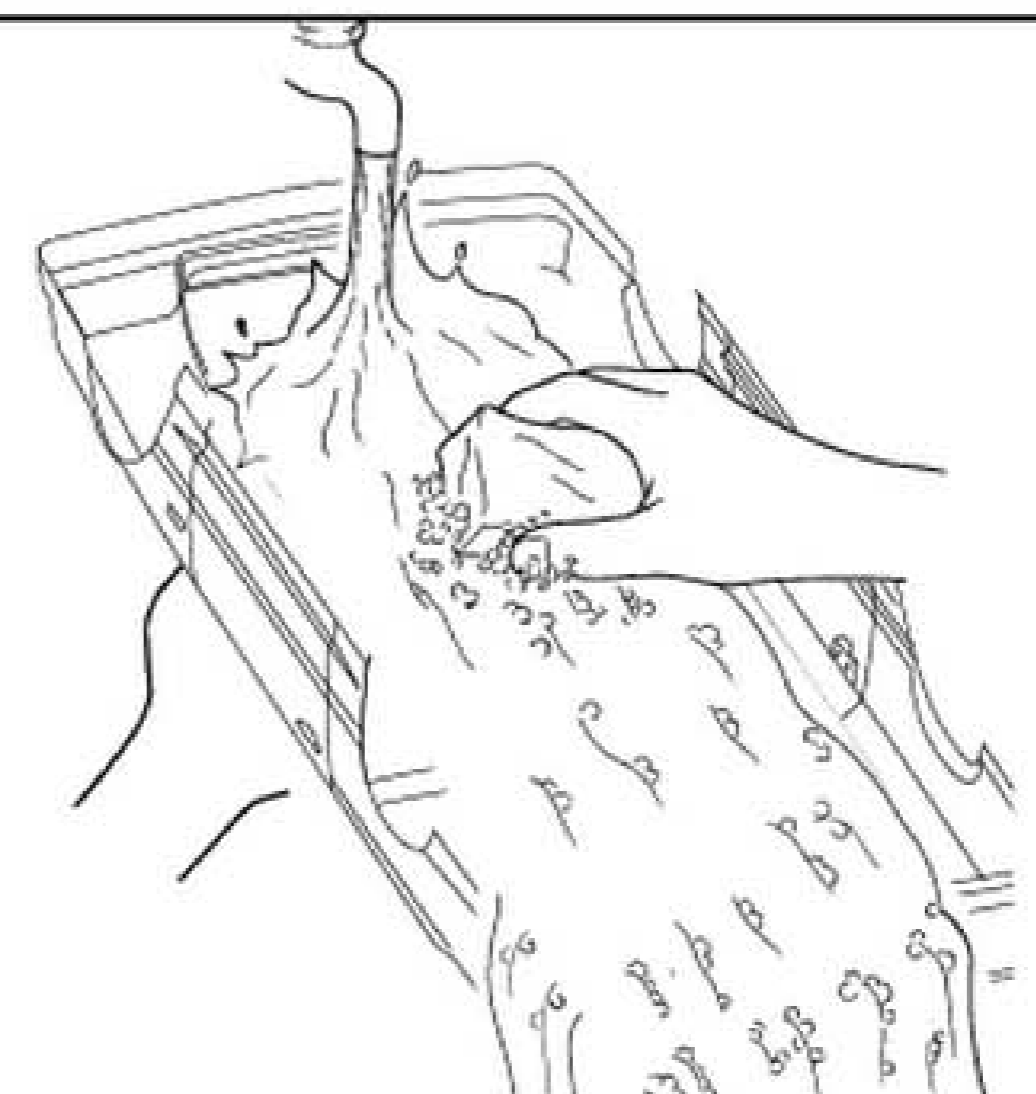
**B**



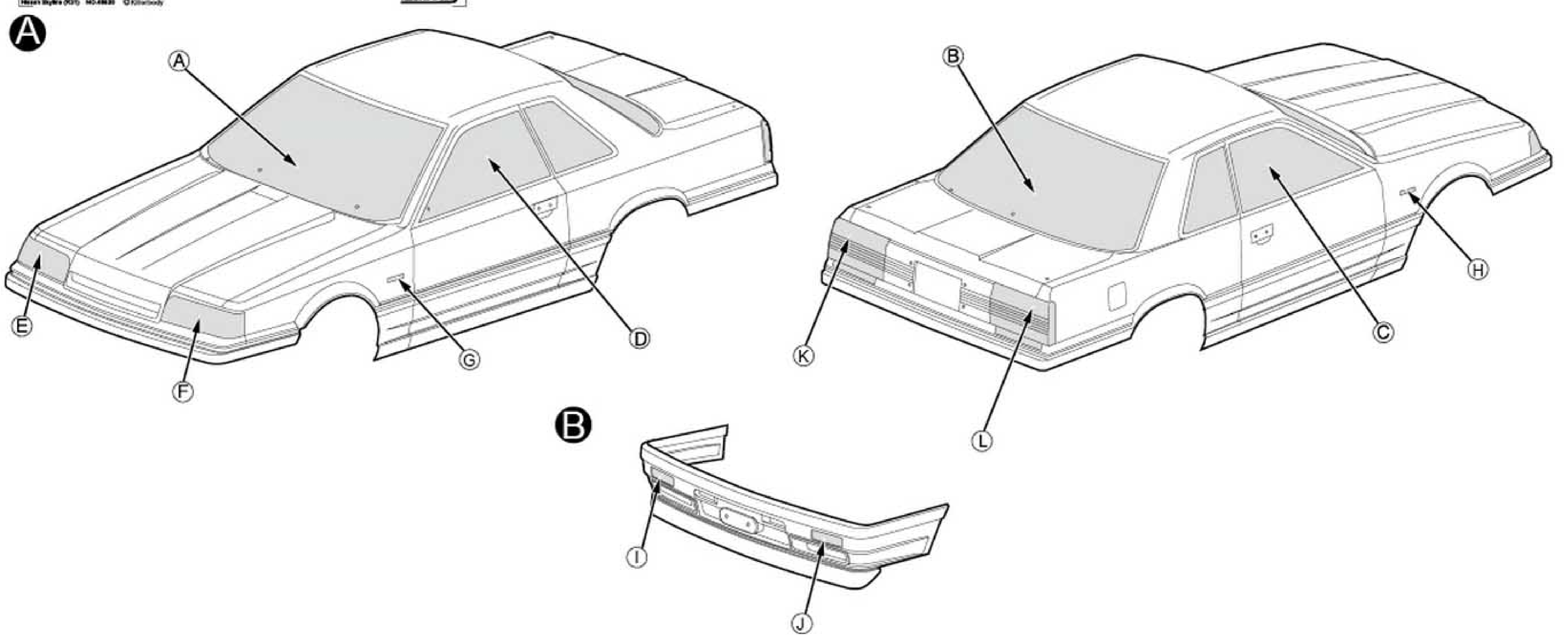
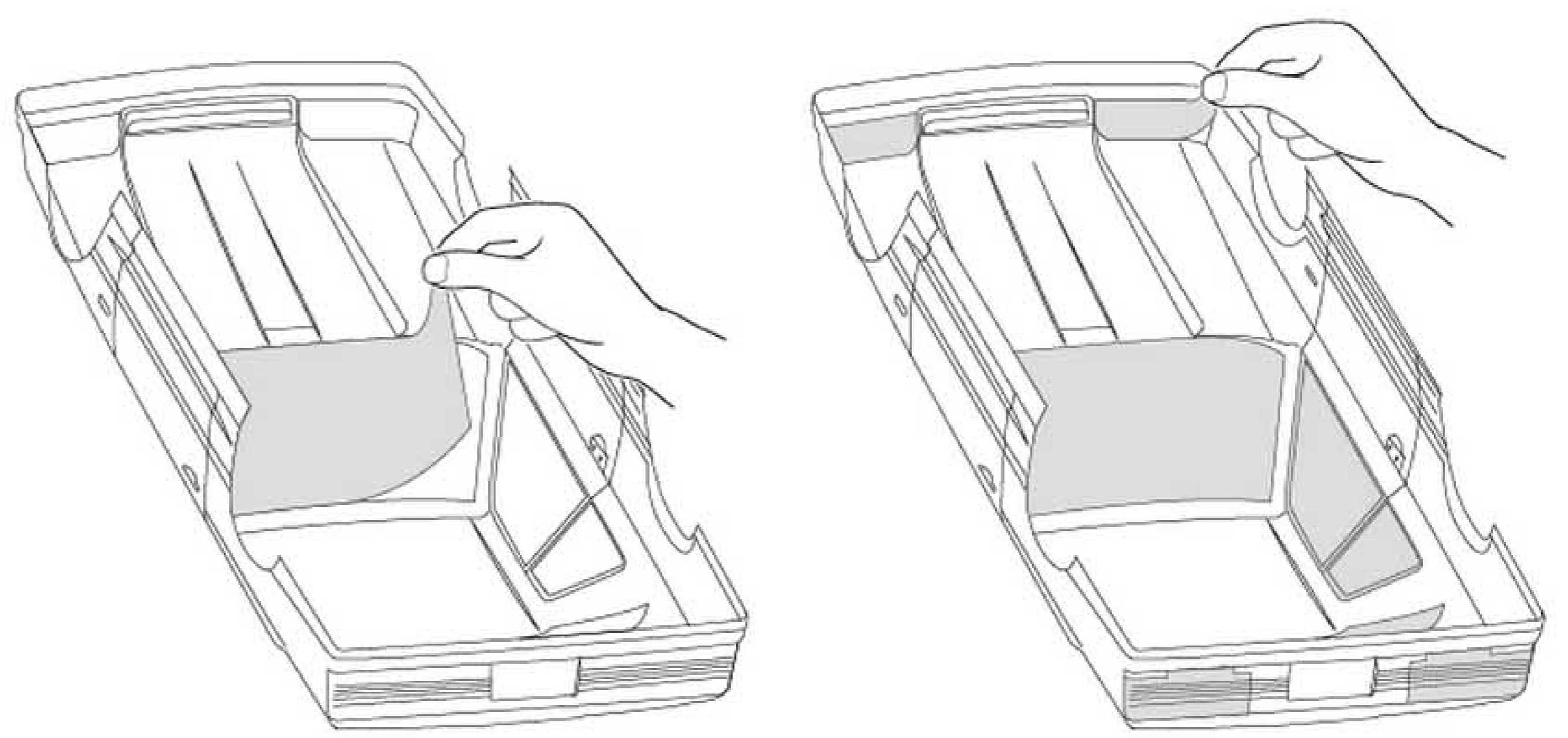
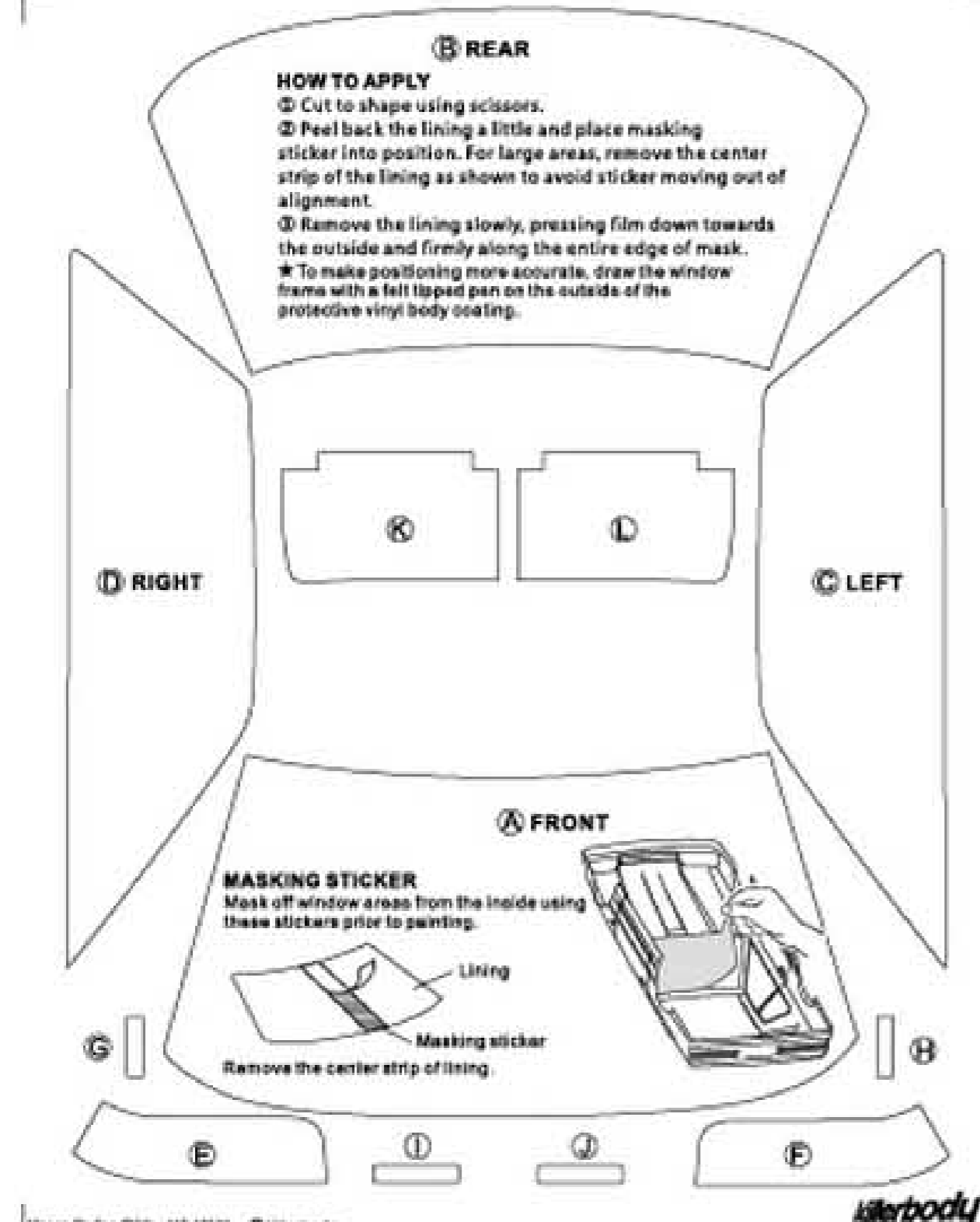
## 2 Painting

**A B**

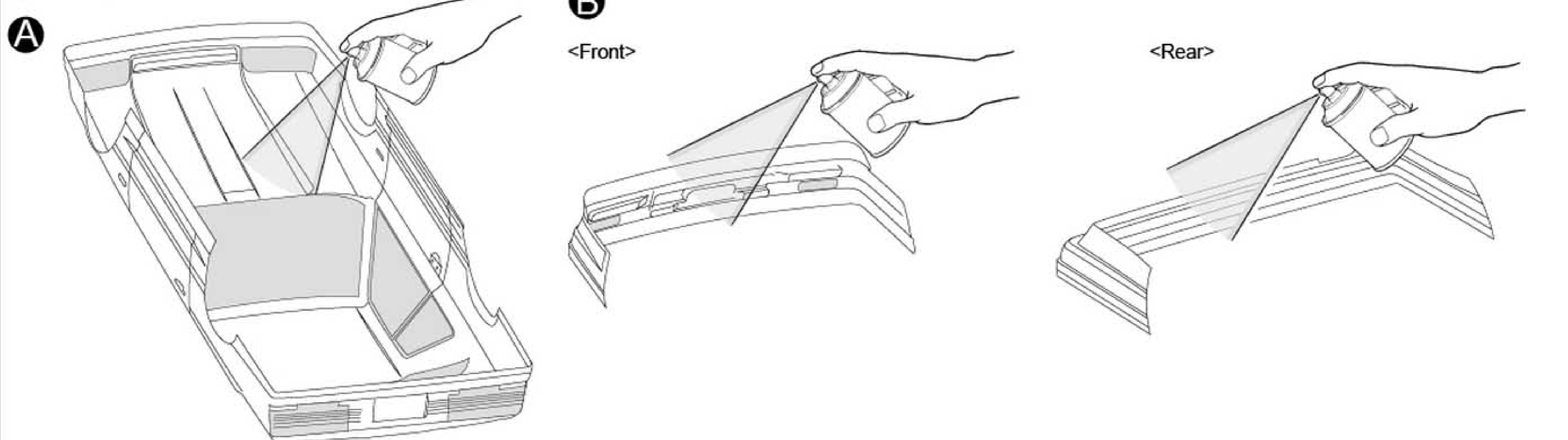
**1** Before painting, use a neutral detergent to remove any oil residues and dirt.



**2 Mask the parts from inside.**



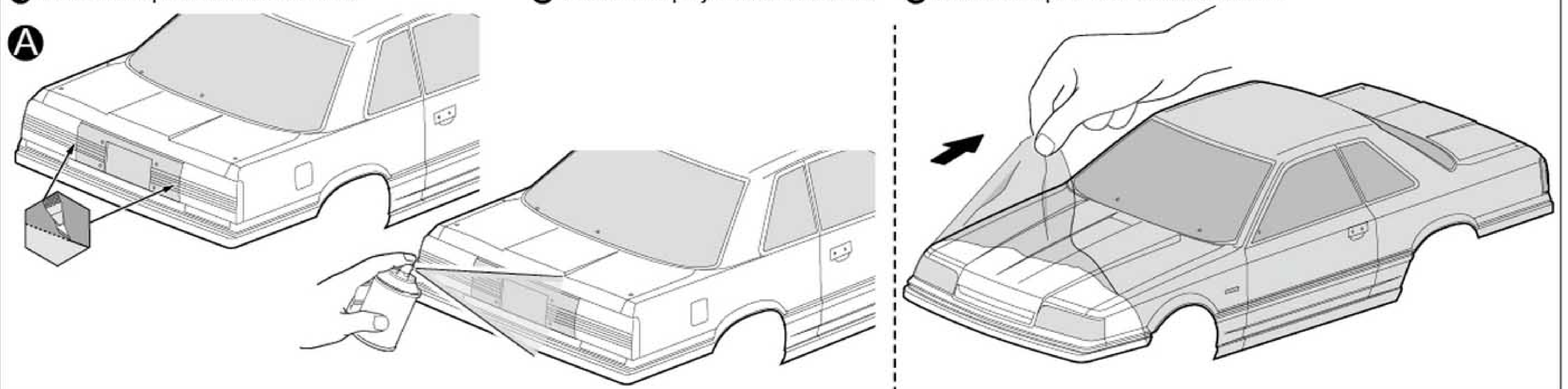
**3 Paint A, B from inside.**



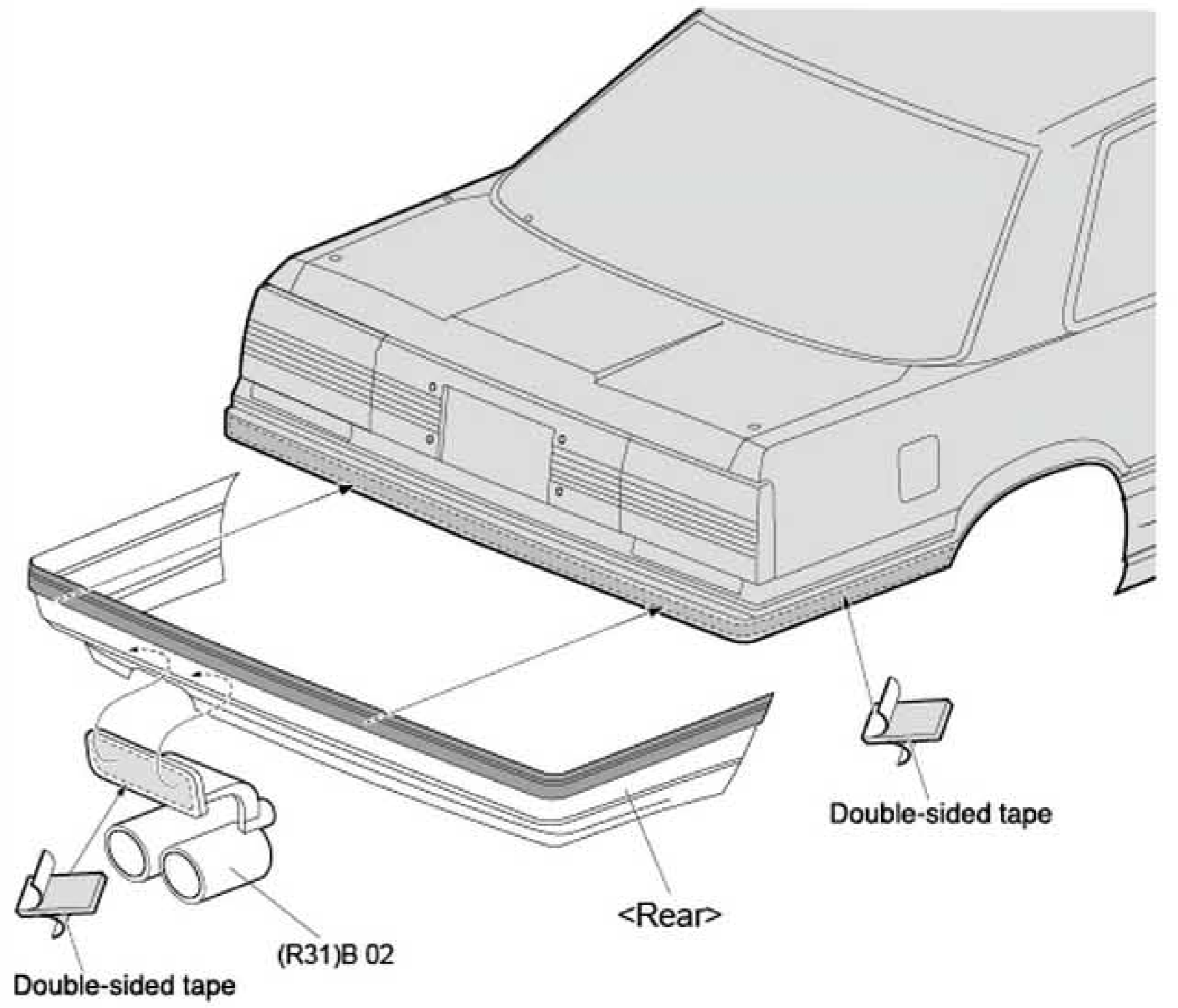
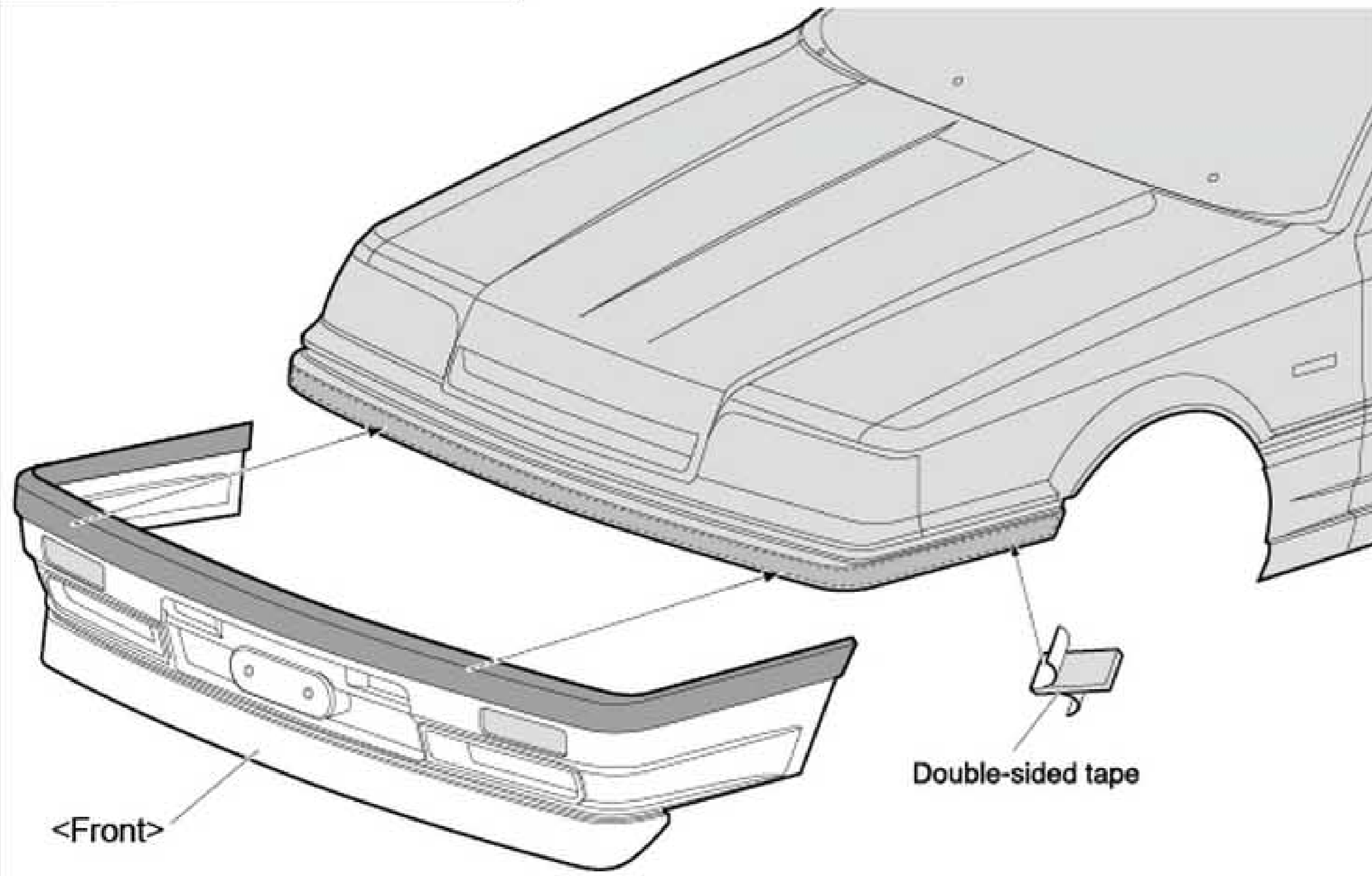
**4 Remove the protective film of Part A.**

**5 Paint black spray color from outside.**

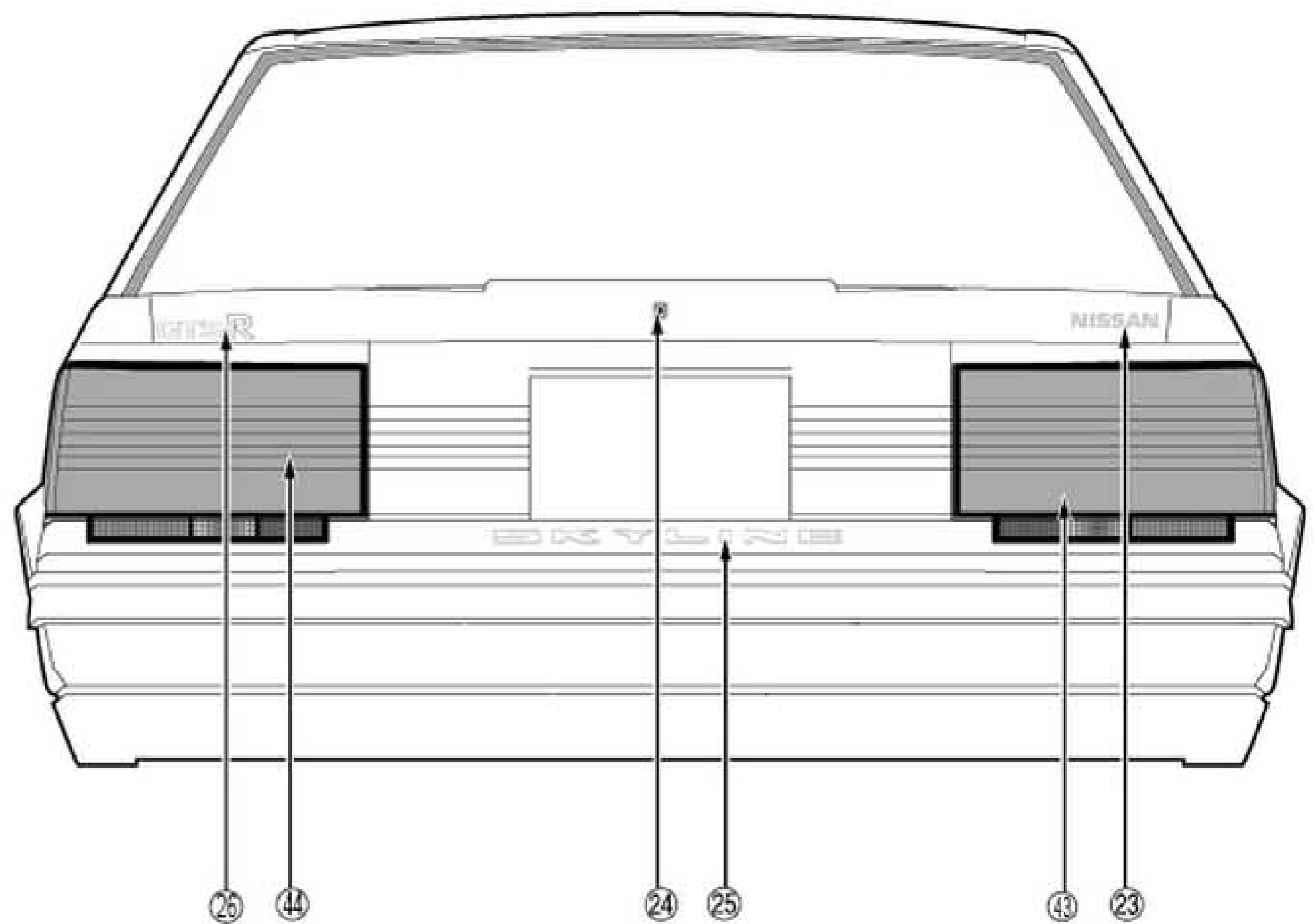
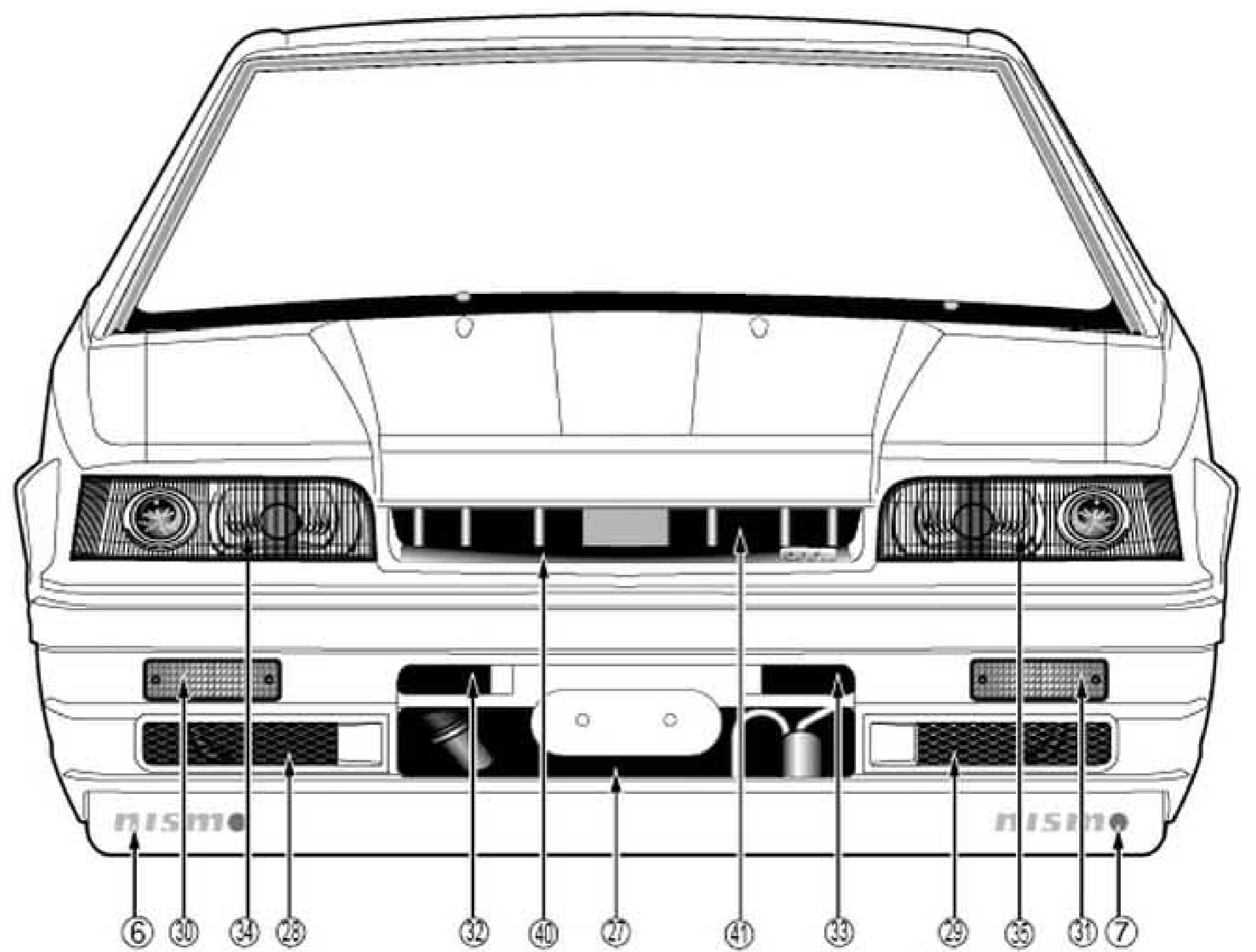
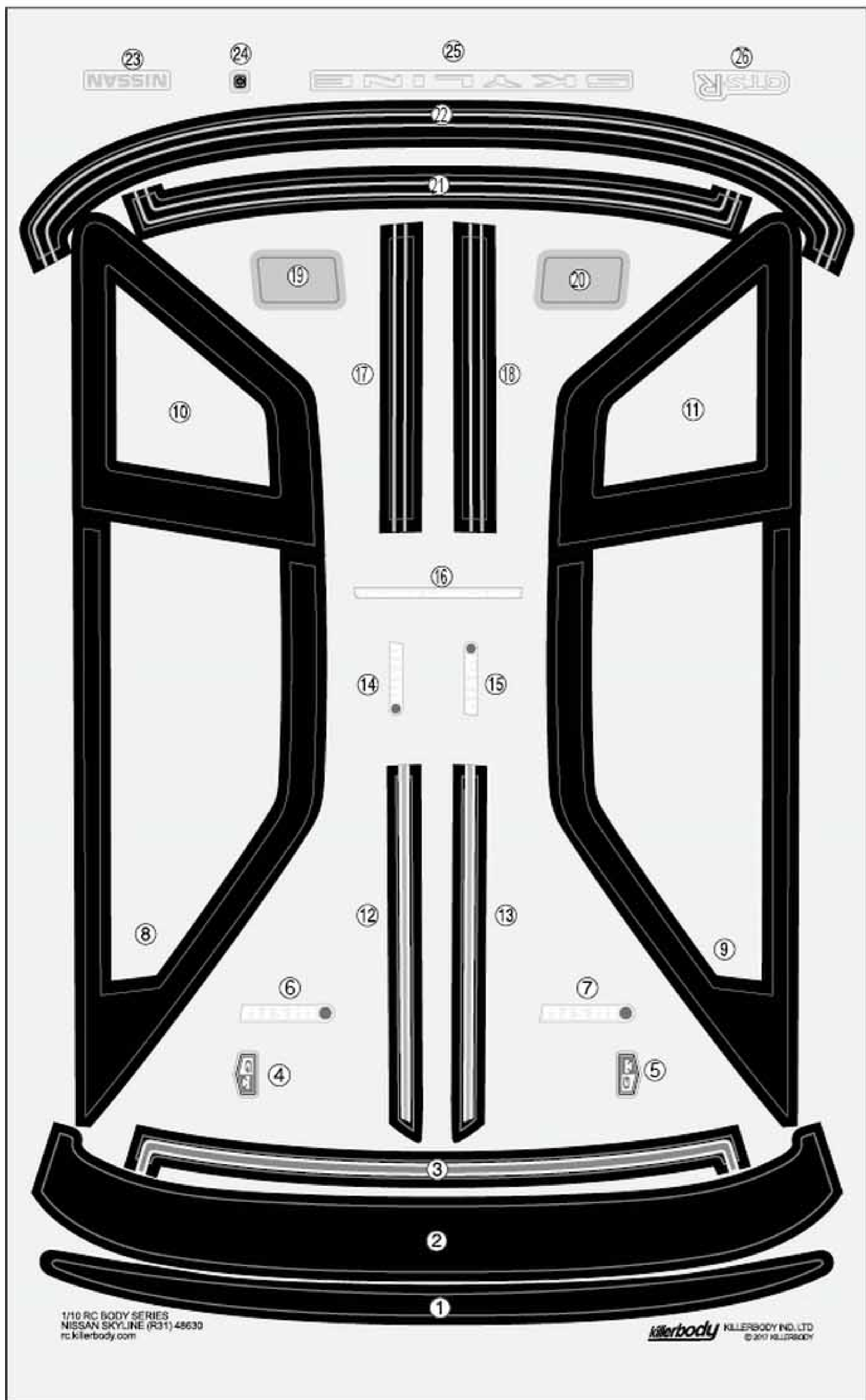
**6 Remove the protective film from outside.**

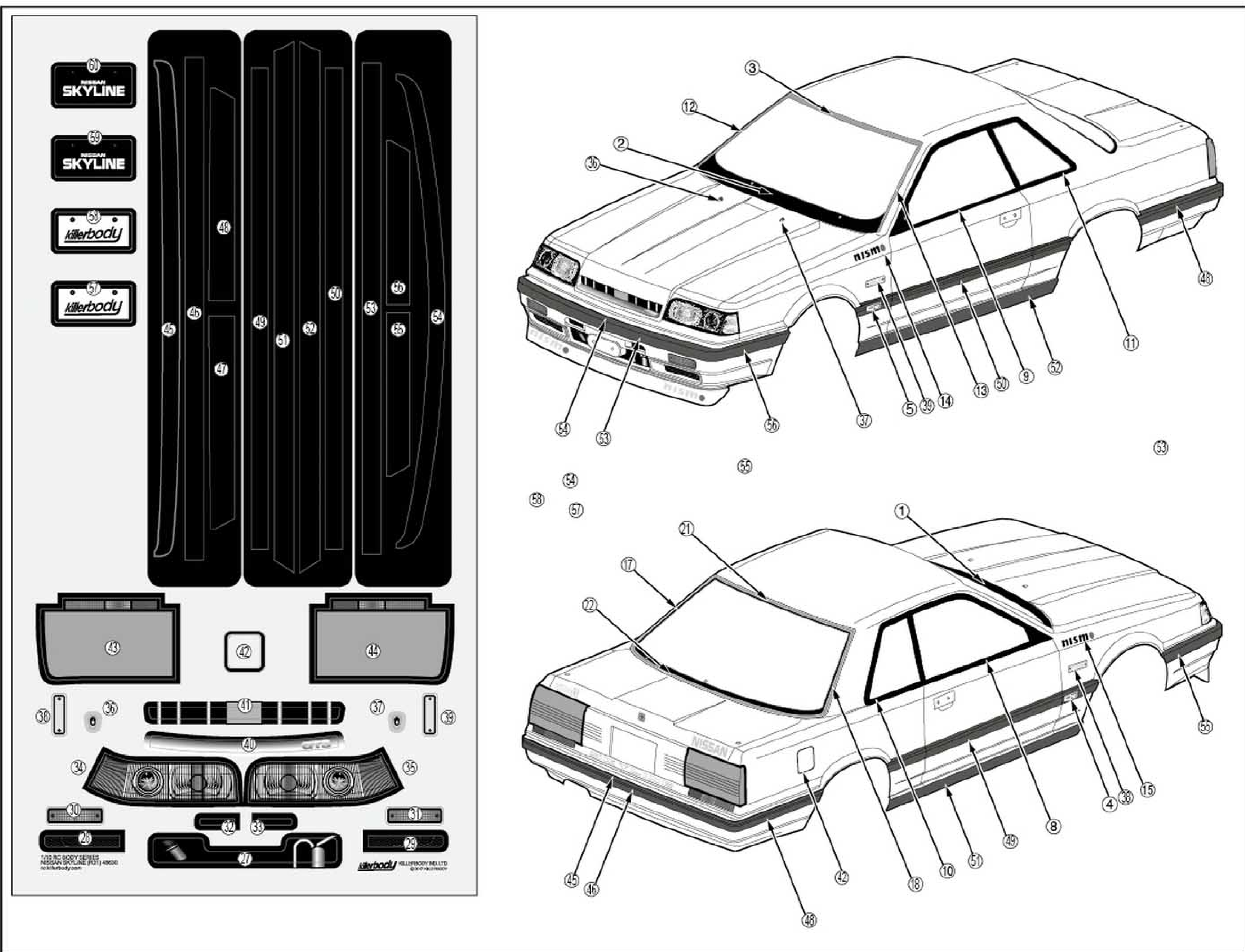


### 3 Assembling



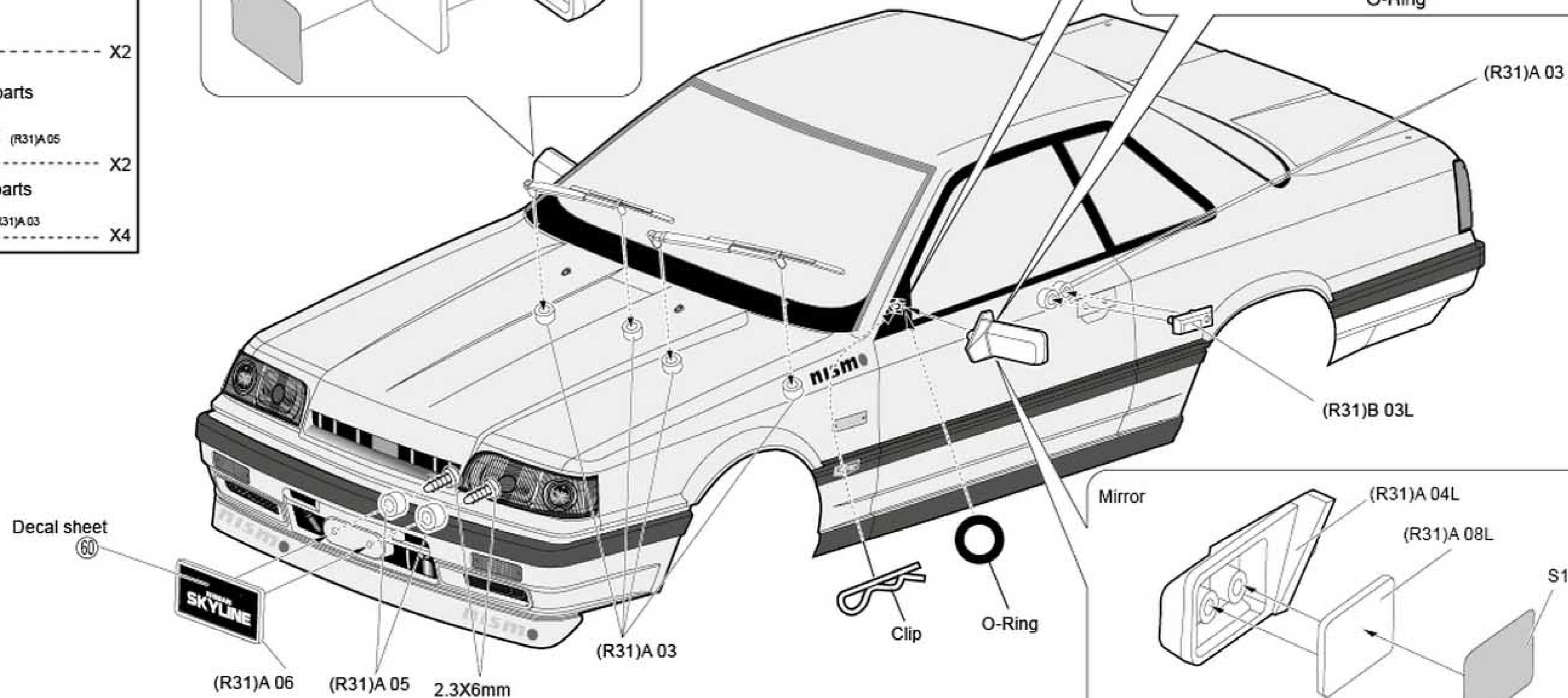
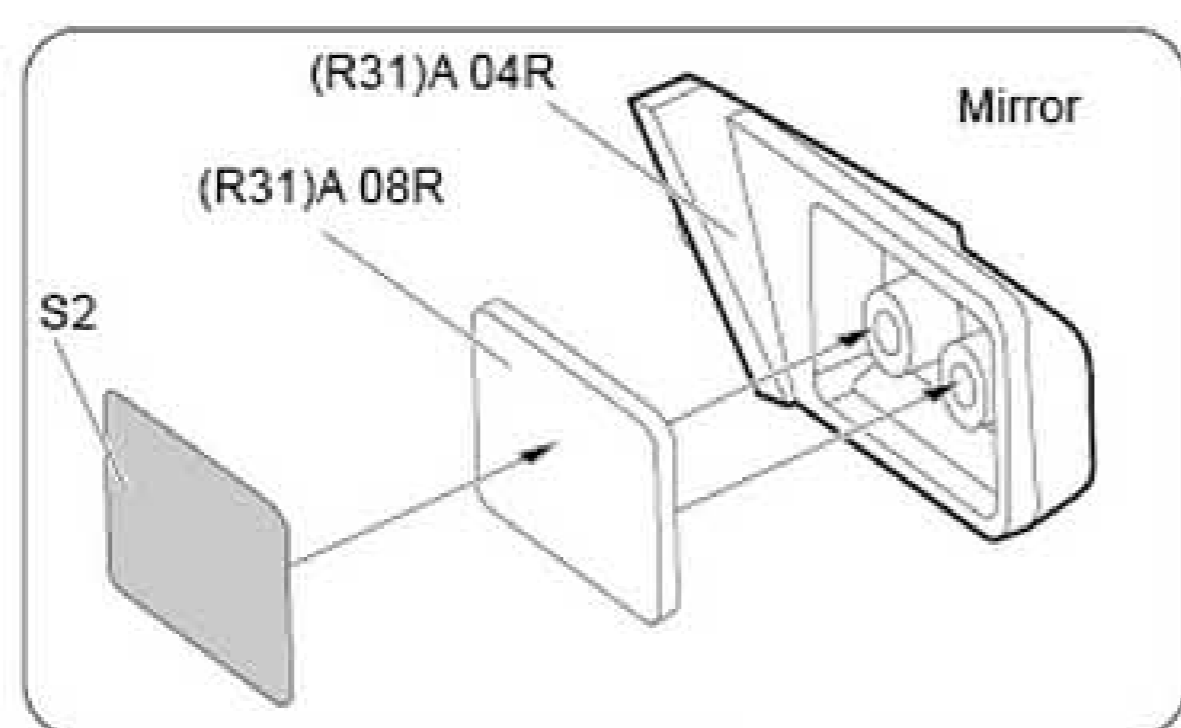
### 4 Decal





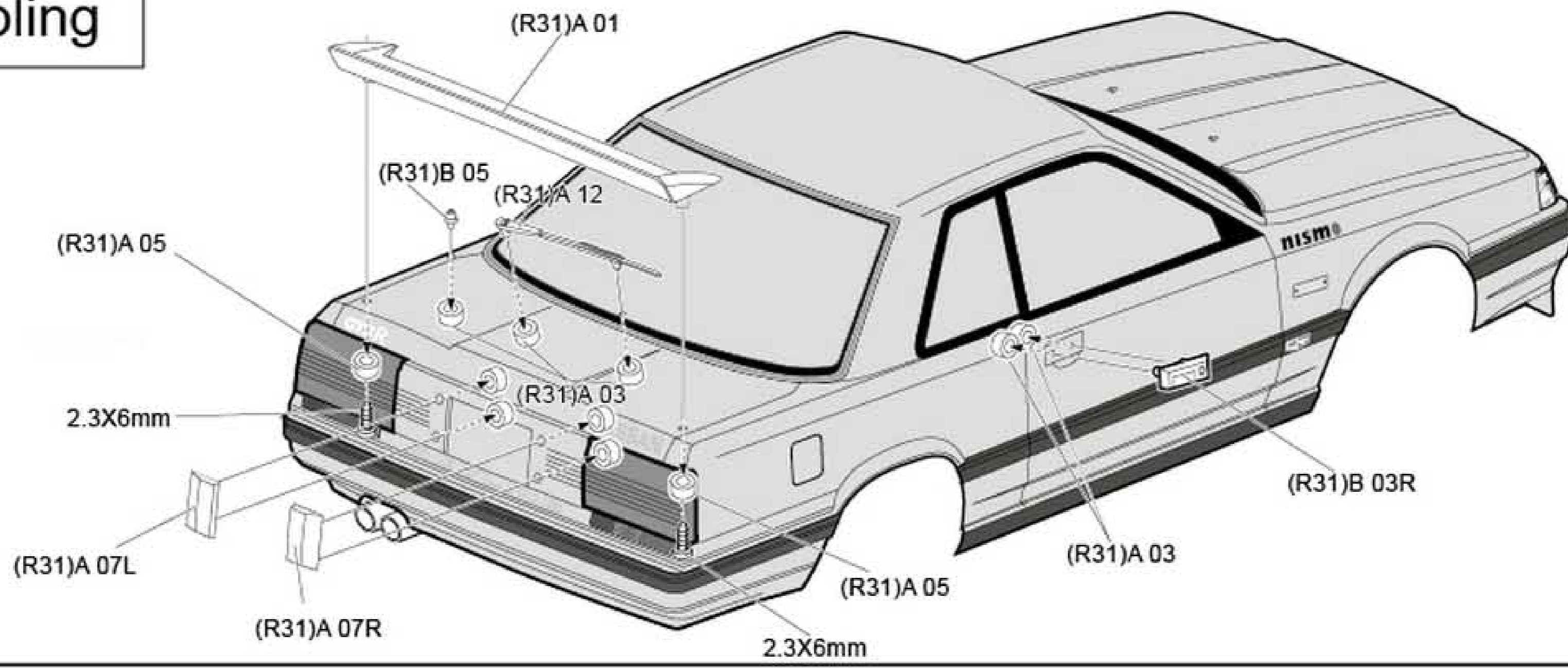
## 5 Assembling

- Screw 2.3X6mm X2
- Clip X2
- O-Ring X2
- Plastic parts (R31)A 05 X2
- Plastic parts (R31)A 03 X4



# 6 Assembling

- Screw 2.3X6mm X2
- Plastic parts (R31)A 05 X2
- Plastic parts (R31)A 03 X4

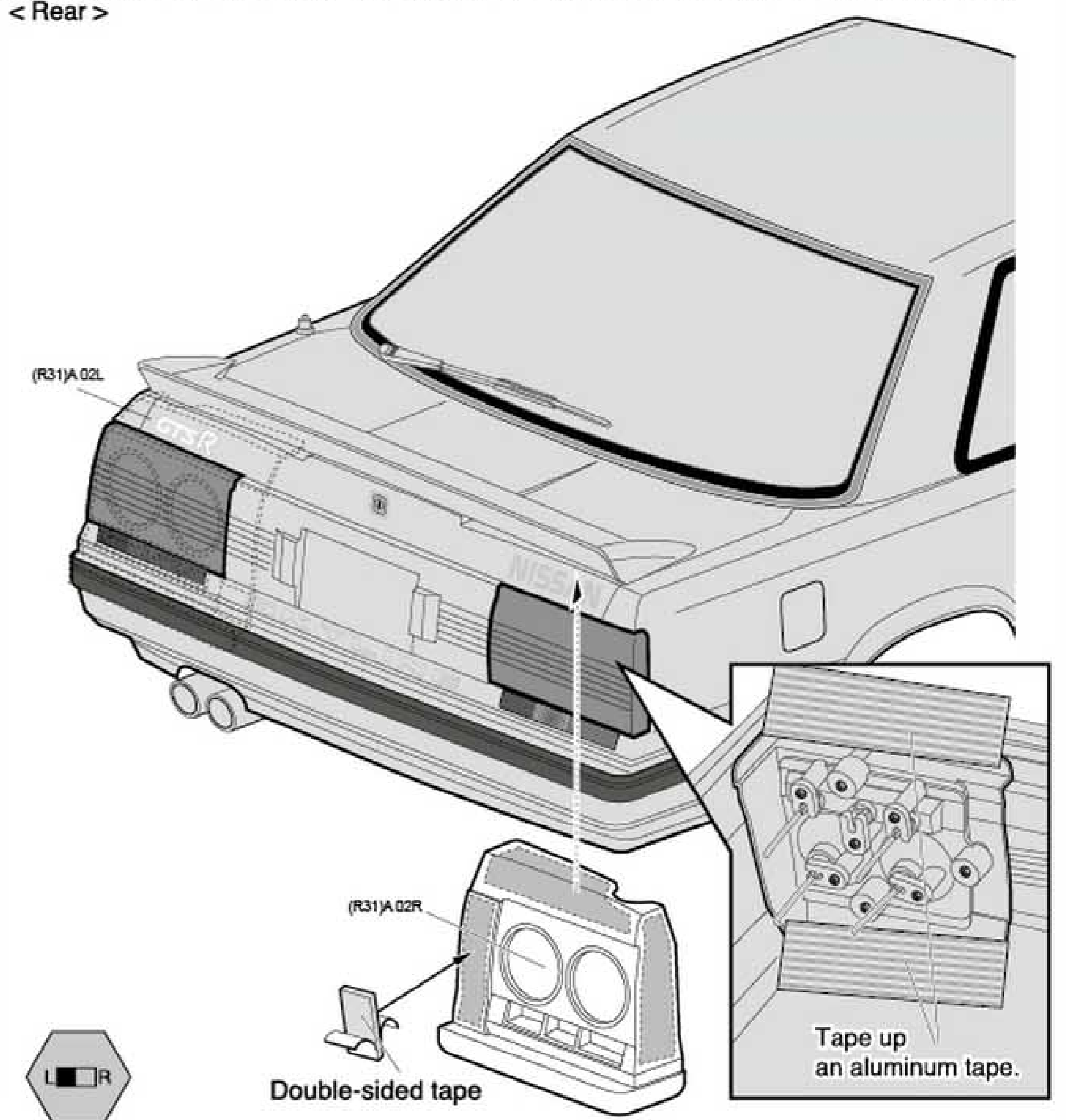
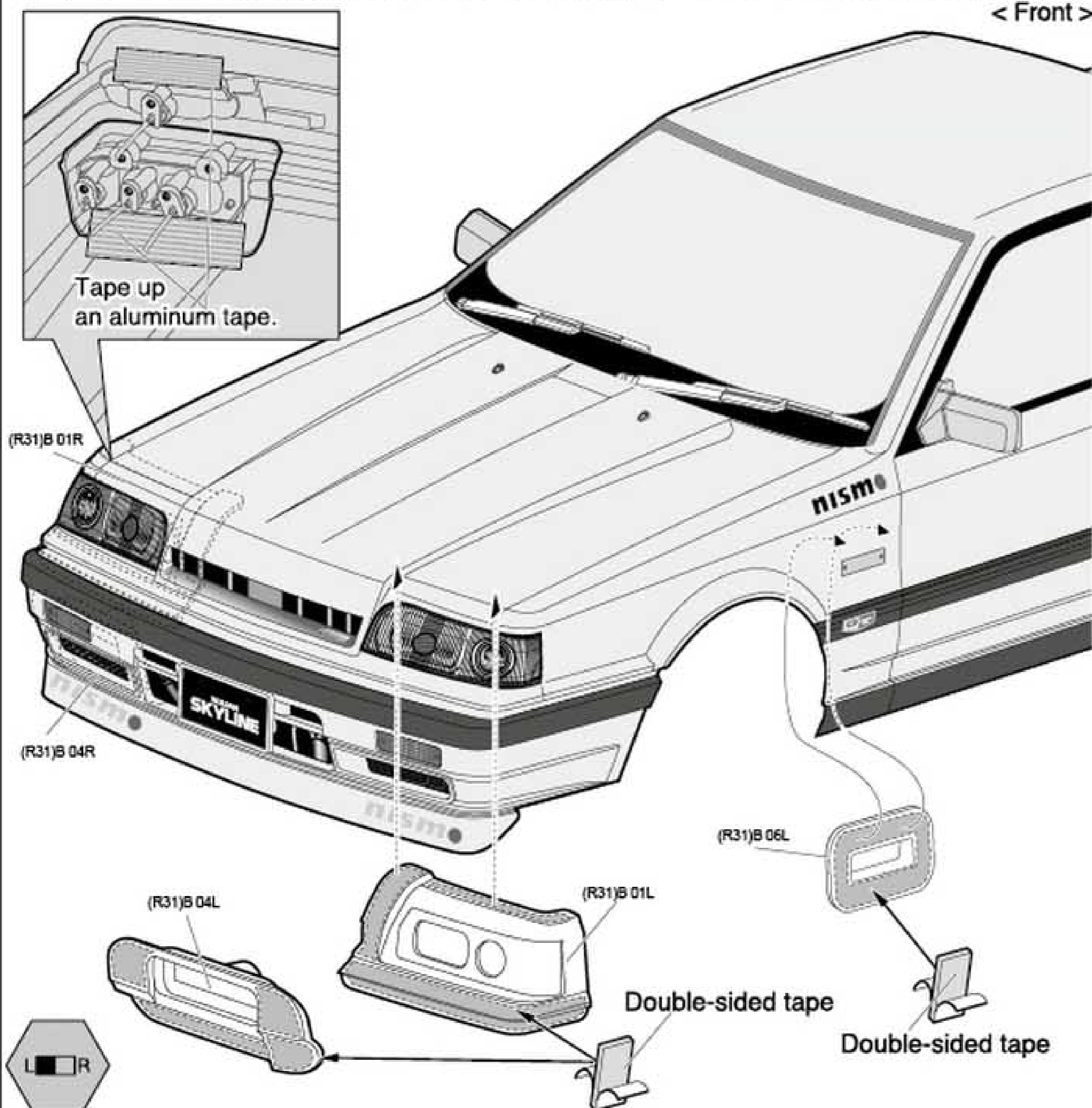
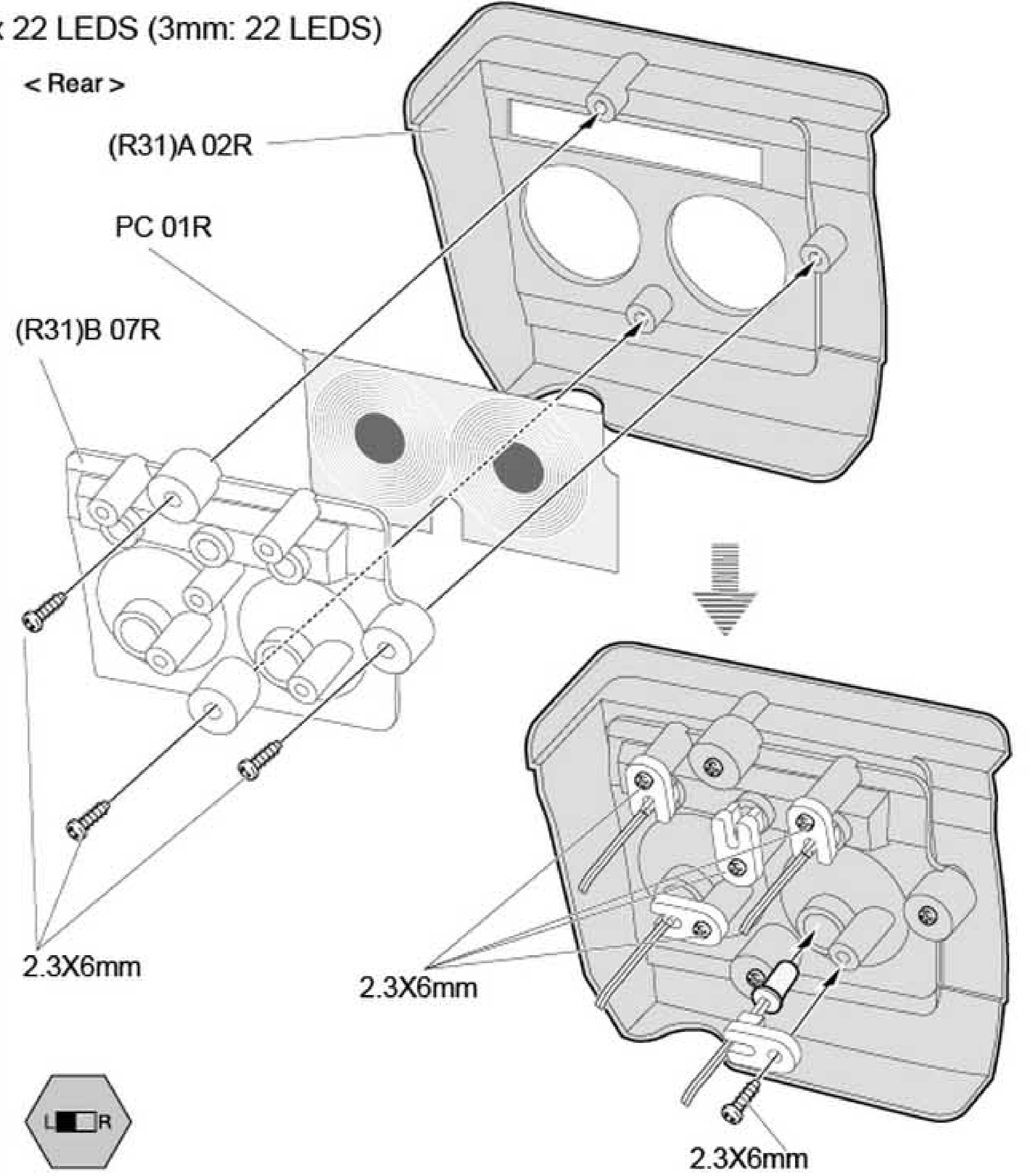
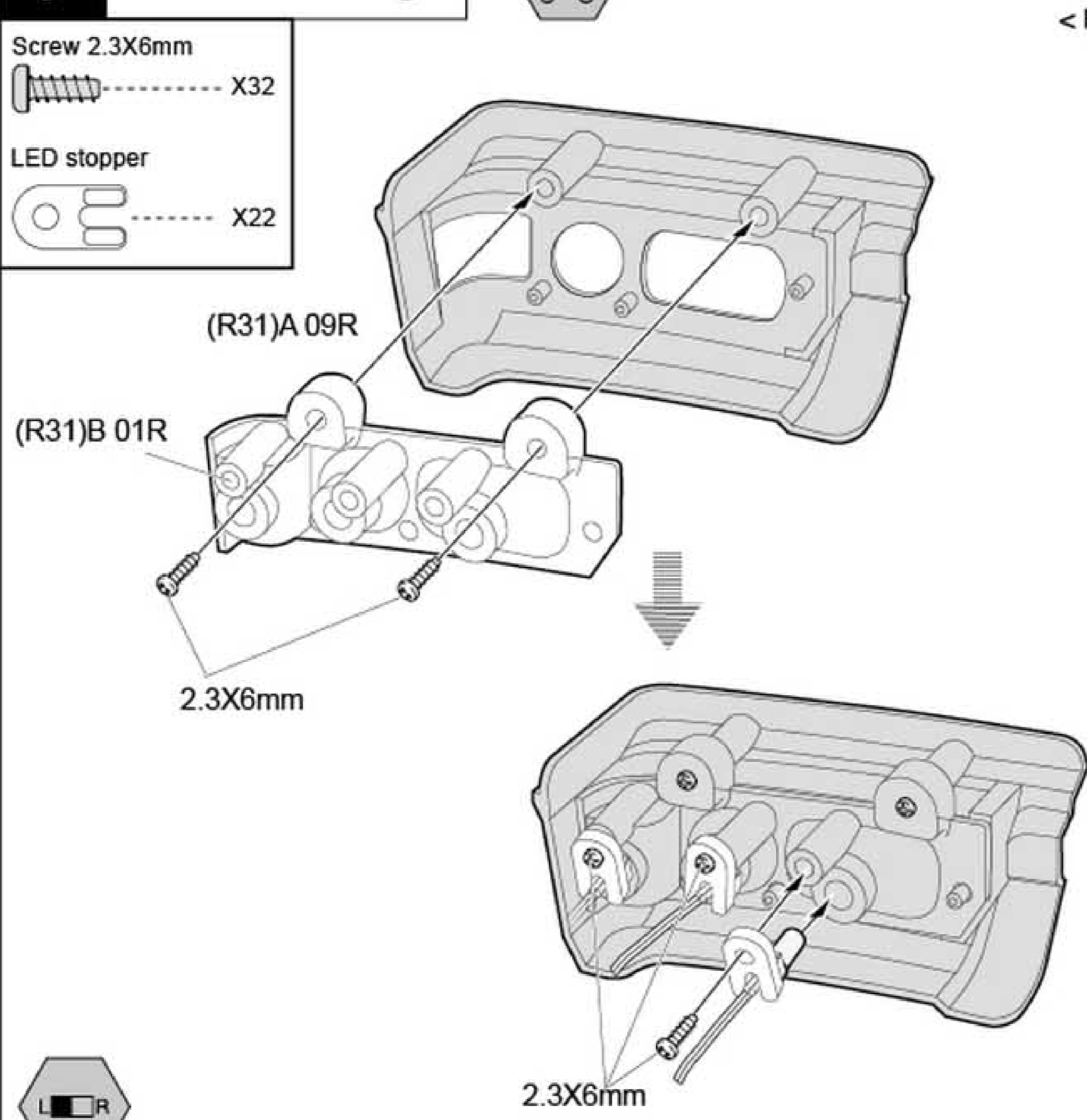


# 7 Assembling



NO.48686 LED Unit Set w/Control Box 22 LEDs (3mm: 22 LEDs)

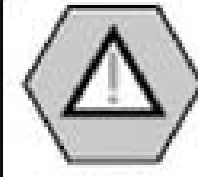
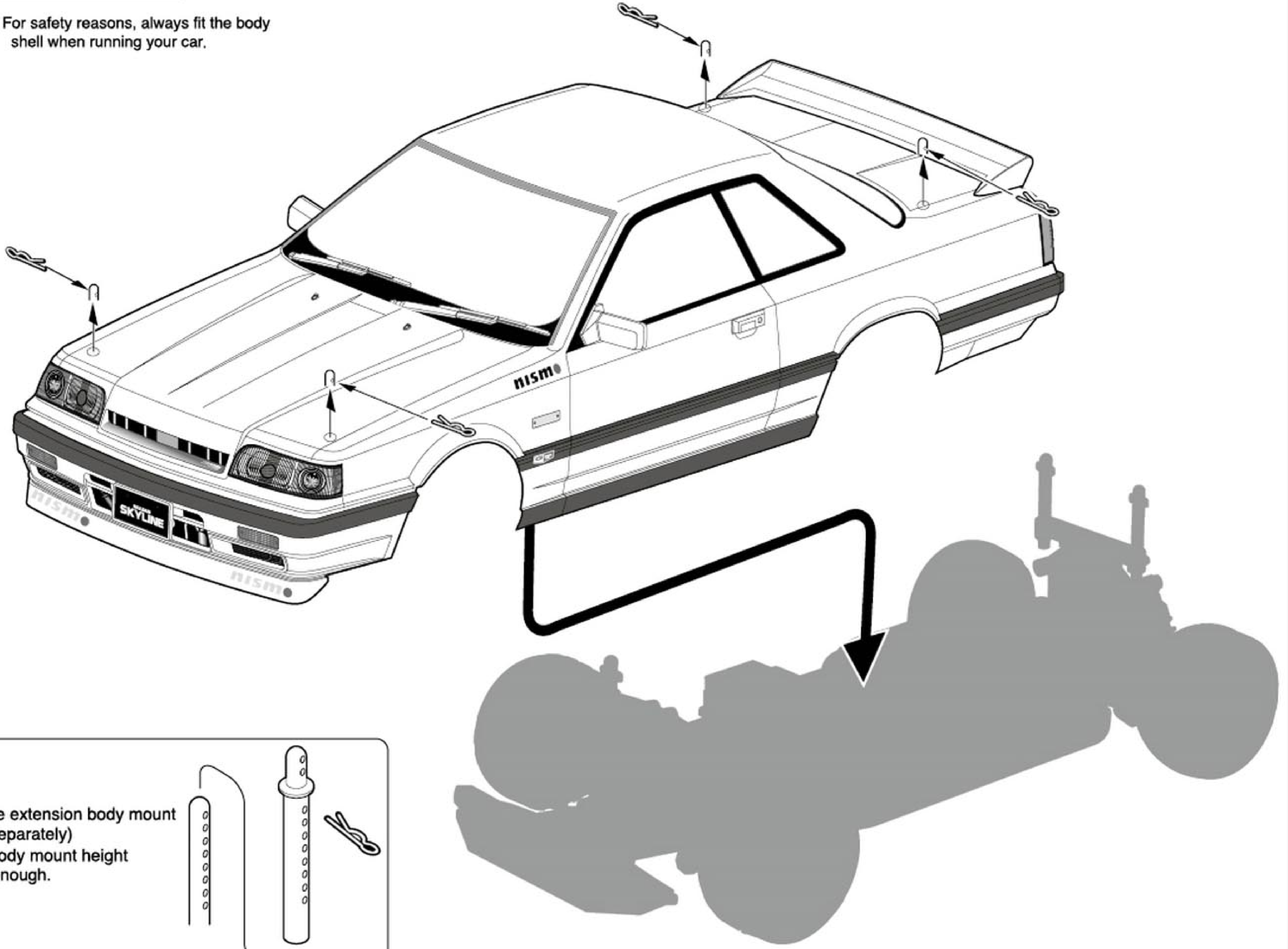
- Screw 2.3X6mm X32
- LED stopper X22



# 8 Finished



► For safety reasons, always fit the body shell when running your car.



► Use the extension body mount (sold separately) if the body mount height is not enough.

