

# Lexus RC F

## BODY SHELL

Official Licensed Product

### NO.48627

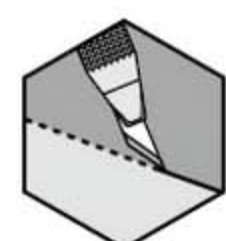
# killerbody™

## 1/10 RC PLANNING INSTRUCTION SHEET

This body can be used with 1/10 electric touring car chassis (Long Wheelbase: 257mm Width: 195mm)

**Before beginning assembly, please read these instructions thoroughly!**

● Symbols used throughout the instruction manual, comprise:



Cut off shaded portion.



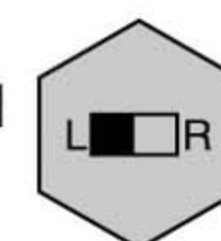
5mm  
Drill holes with the specified diameter.



Pay close attention here!



Must be purchased separately.



Assemble left and right sides the same way.



### ● Before Assembly

#### Decoration Body

- ▶ In the case of a decoration body, please assemble it according to the contents showed.

#### When making the window transparent

- ▶ If you want to make the window transparent with a non decoration body, please assemble it according to the contents showed.

#### Non Decoration Body

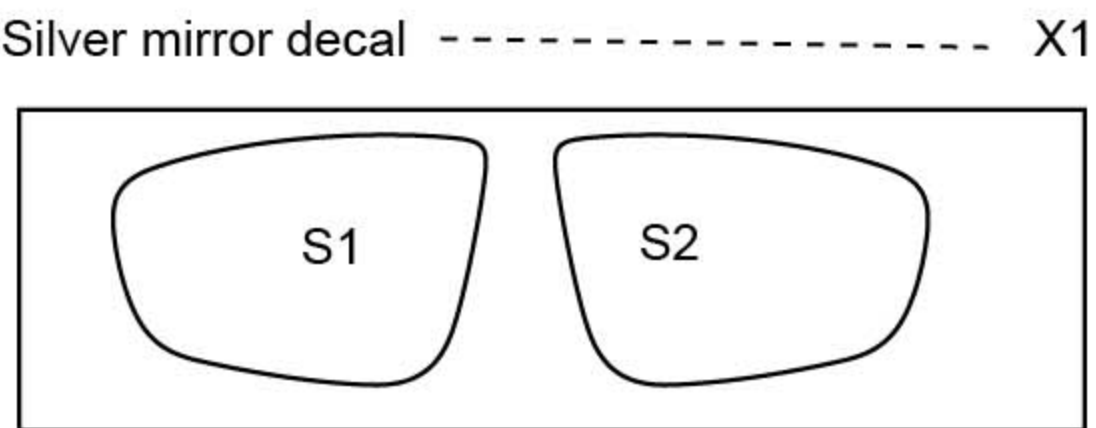
- ▶ In the case of non decoration body, please assemble it according to the contents showed.

#### When loading LED lights

- ▶ If you want to load LED lights with a non decoration body, please assemble it according to the contents showed.

**PARTS**

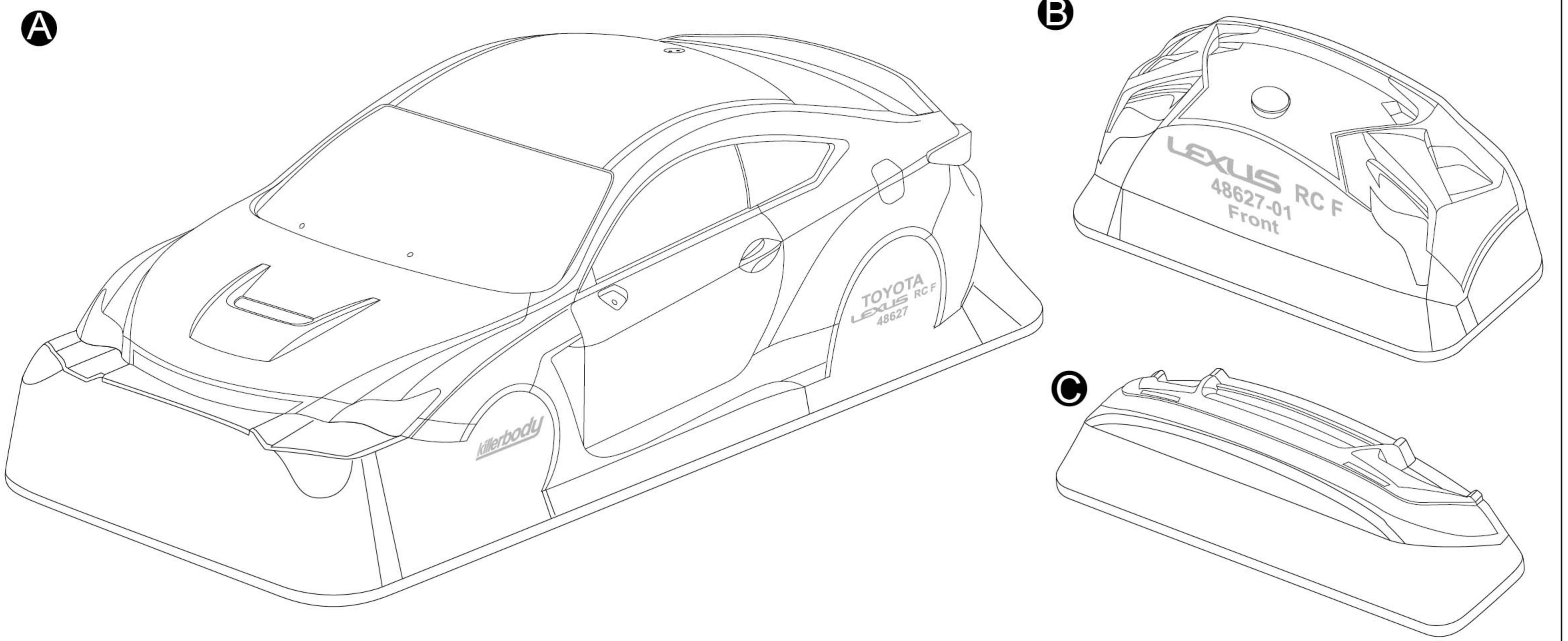
- PC body ----- X1
- PC parts ----- X2
- ABS parts ----- X1
- ABS chromed parts ----- X1
- Decal sheet ----- X1
- Window masks ----- X1
- Gilt decorative decal ----- X1



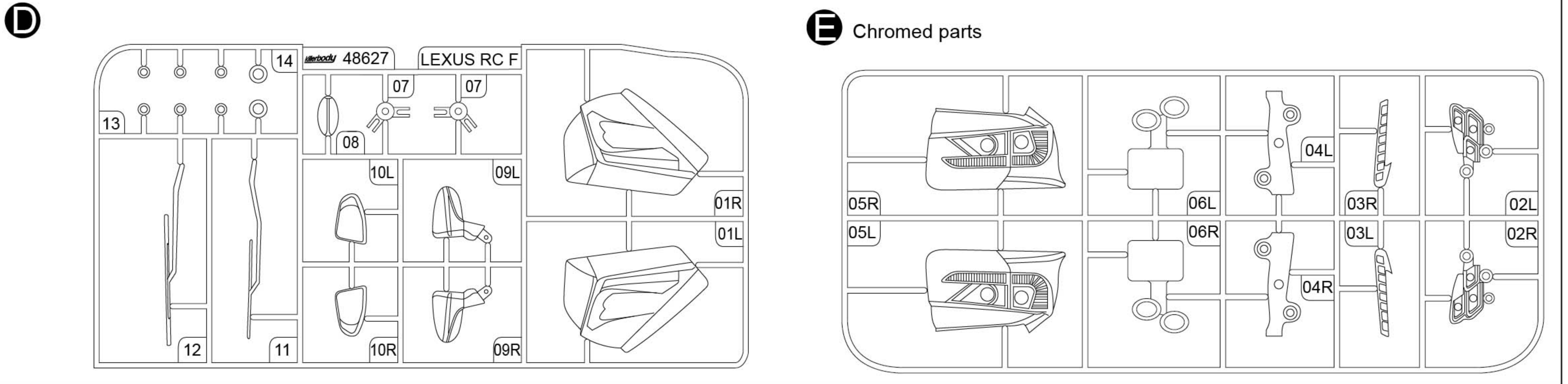
**PARTS BAG**

- LED stopper ----- X12
- Screw 2.3X6mm ----- X21
- Clip ----- X2
- Double-sided tape ----- X1
- O-Ring ----- X2

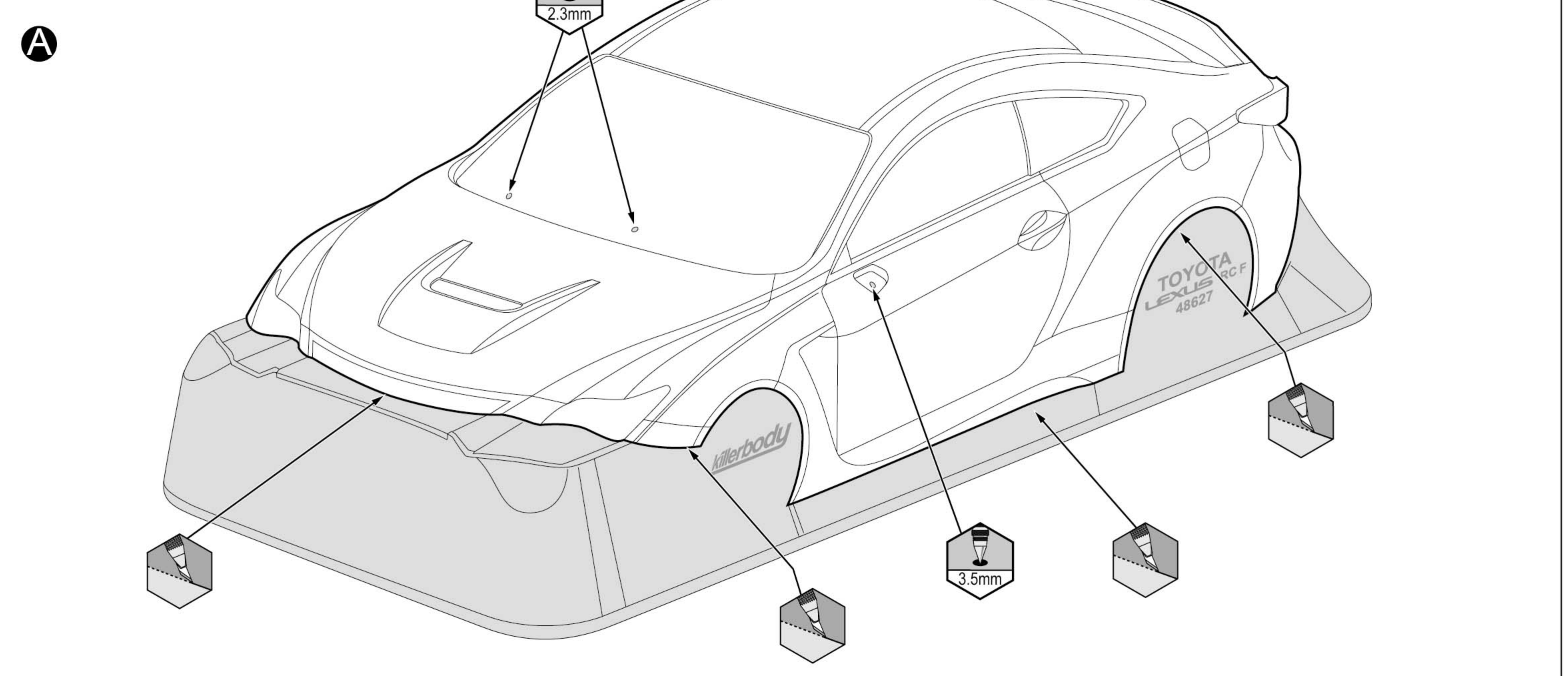
**PC PARTS**

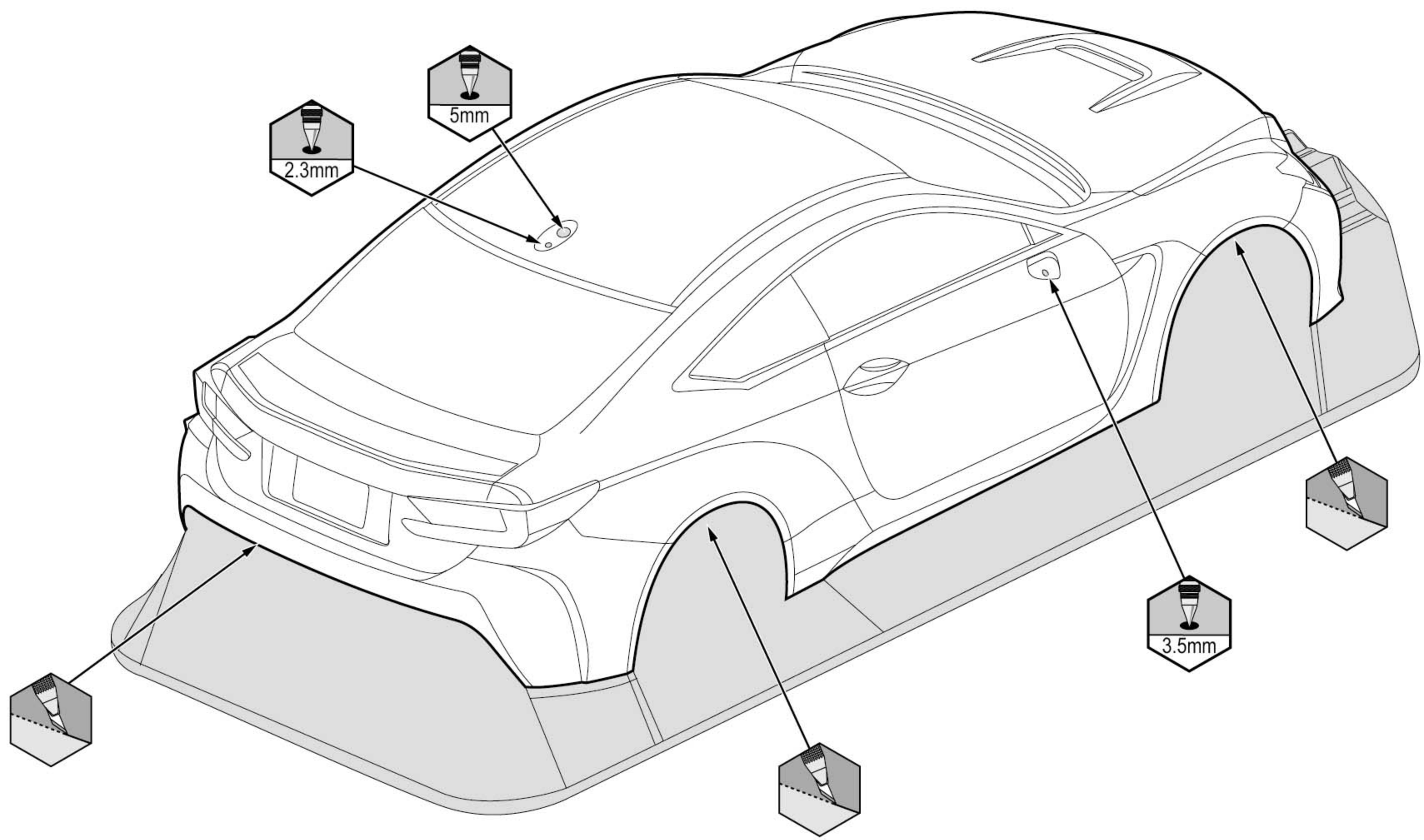


**ABS PARTS**

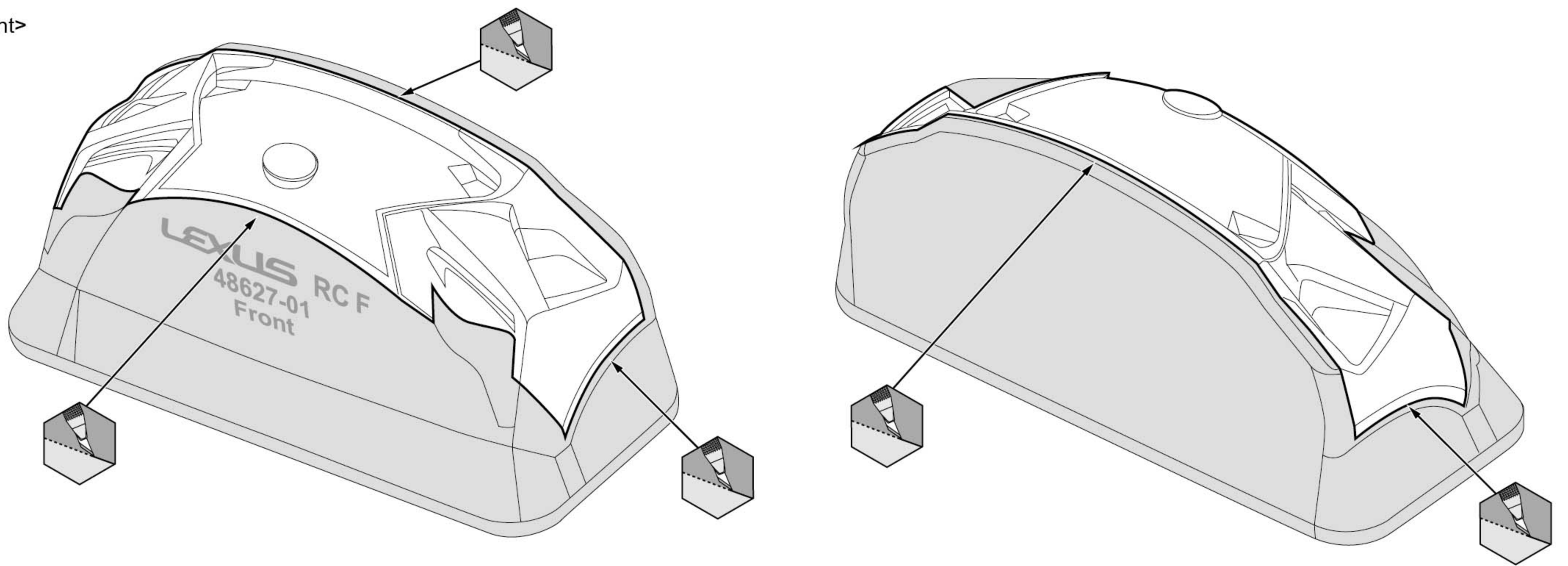


**1 Cutting**

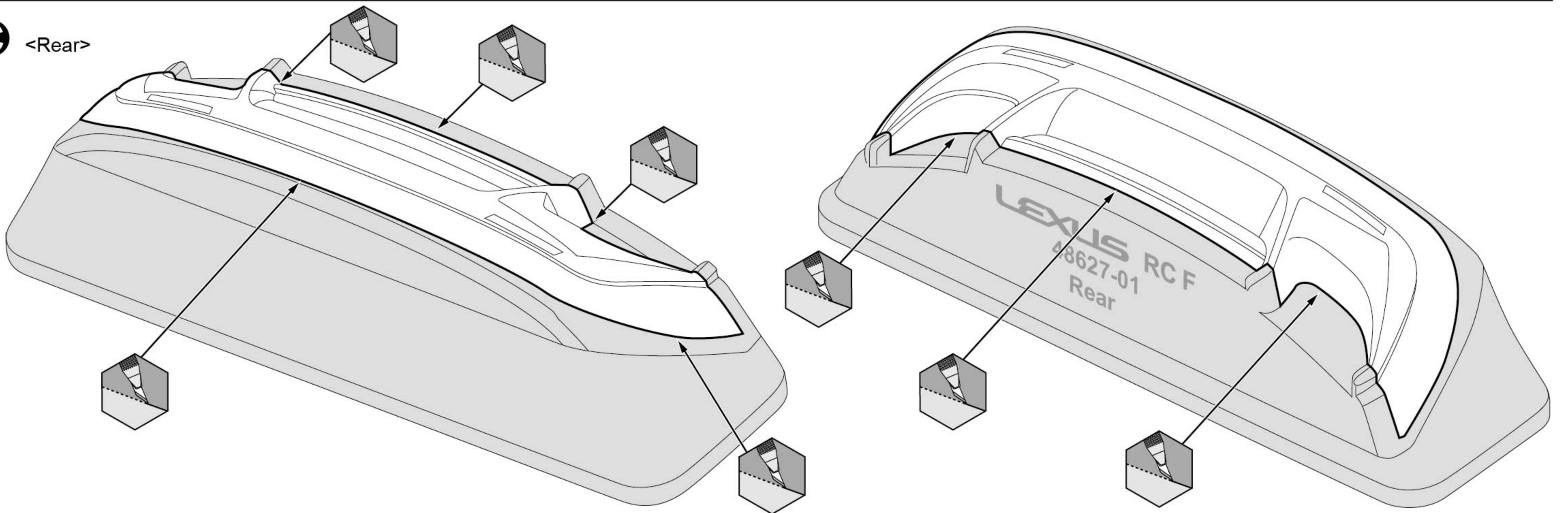




**B** <Front>



**C** <Rear>



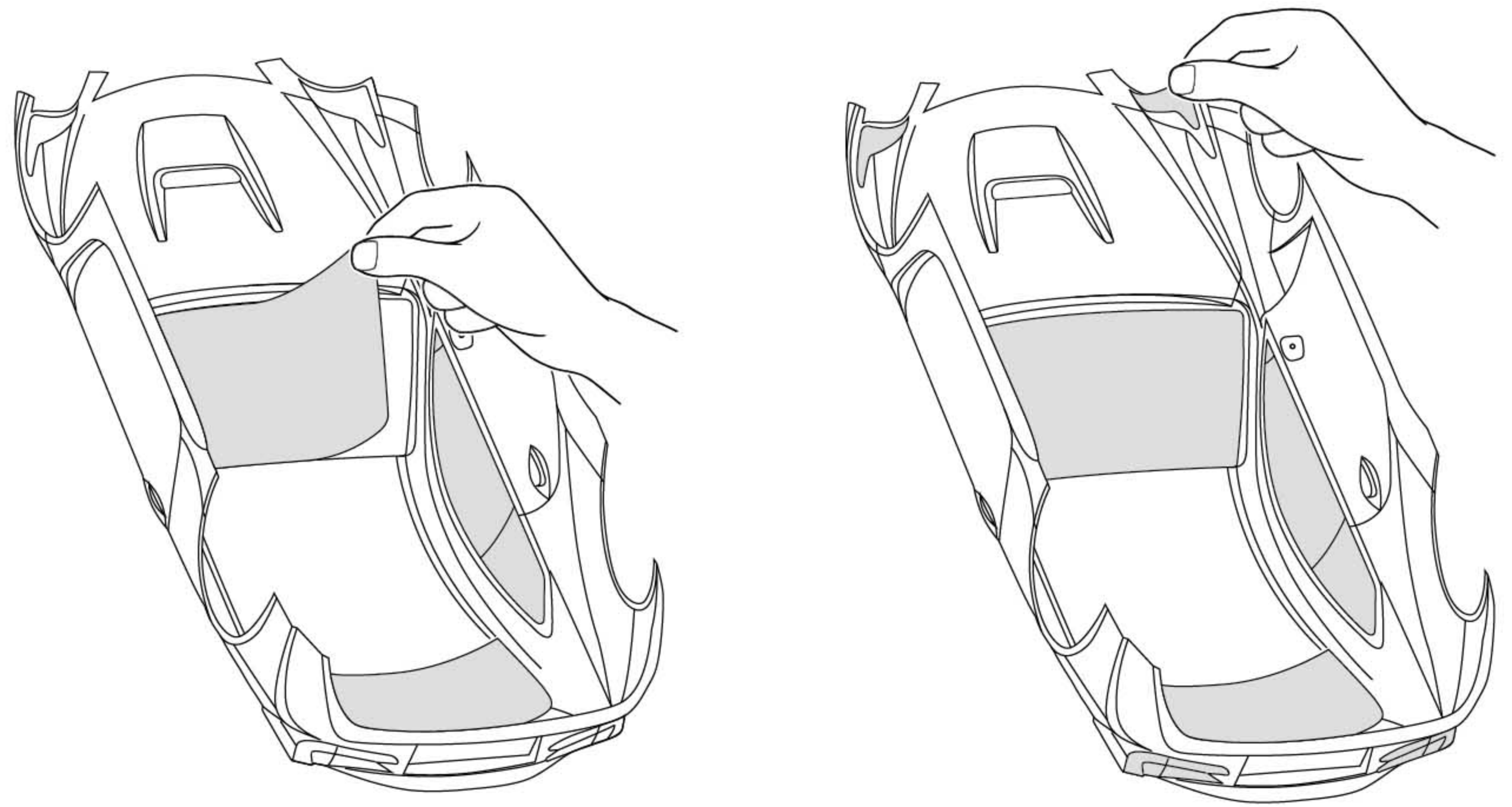
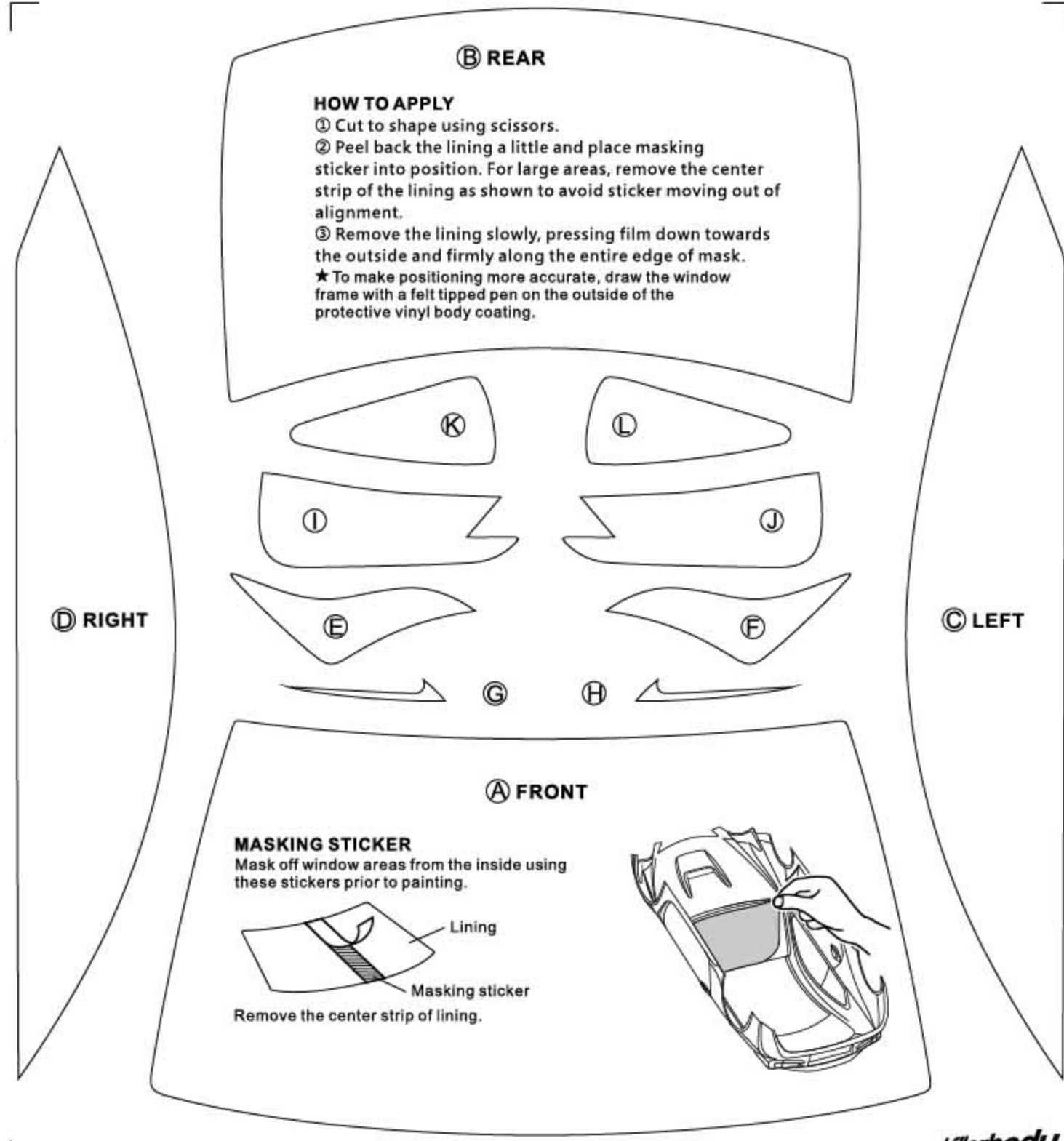
## 2 Painting

**A B C**

**1** Before painting, use a neutral detergent to remove any oil residues and dirt.

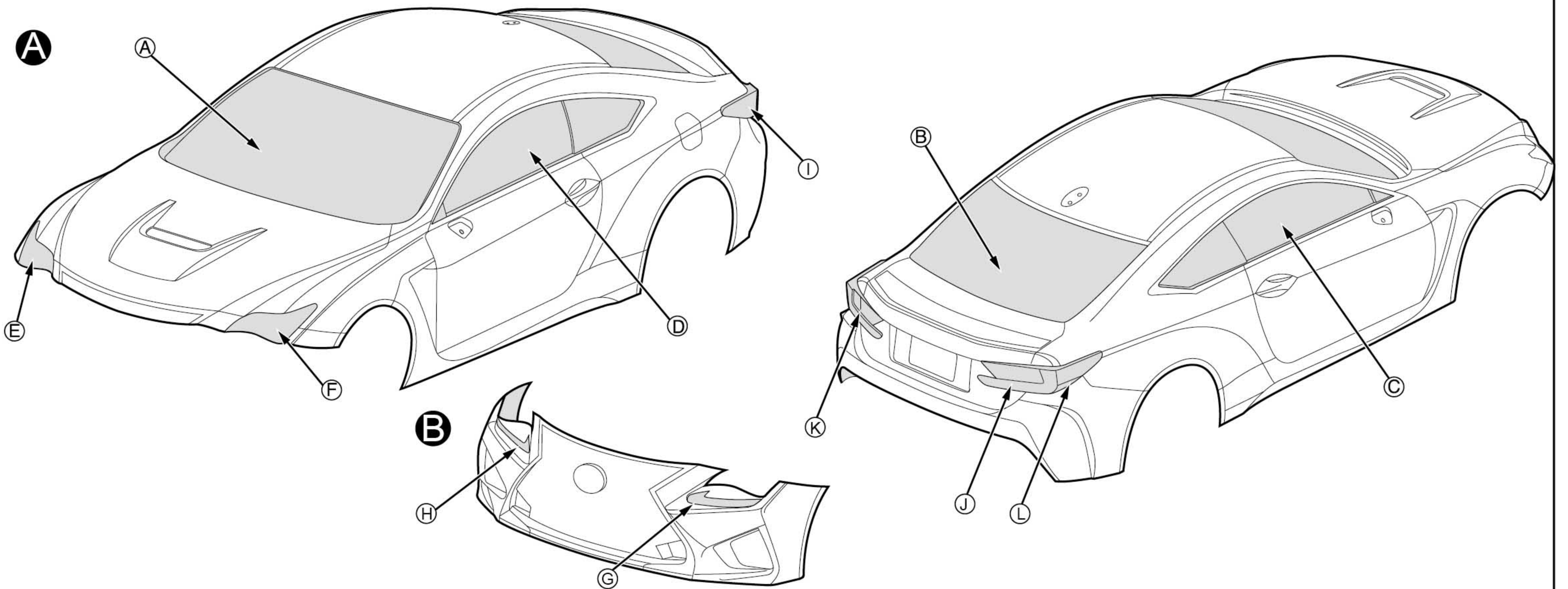


**2** Mask the parts from inside.

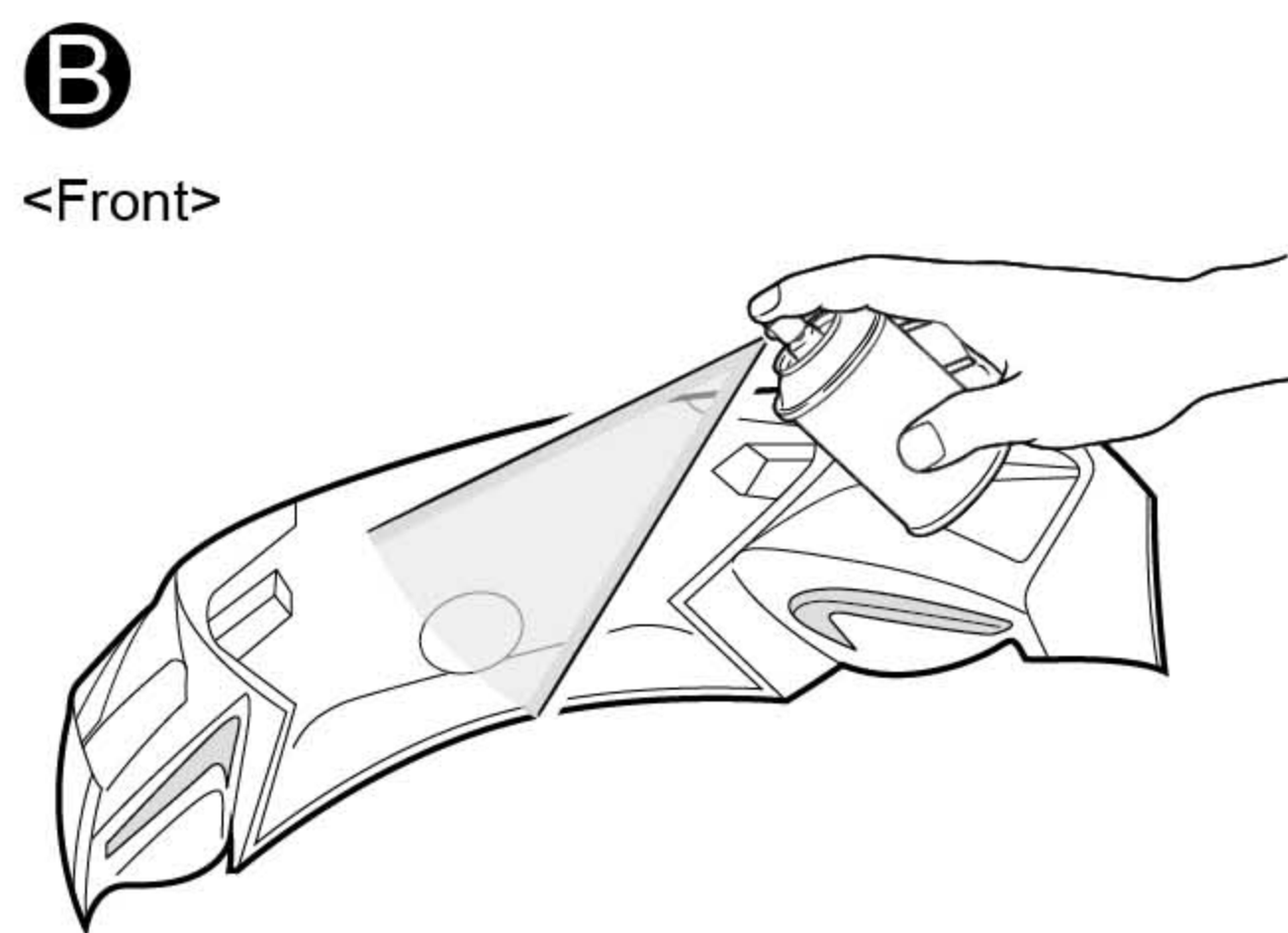
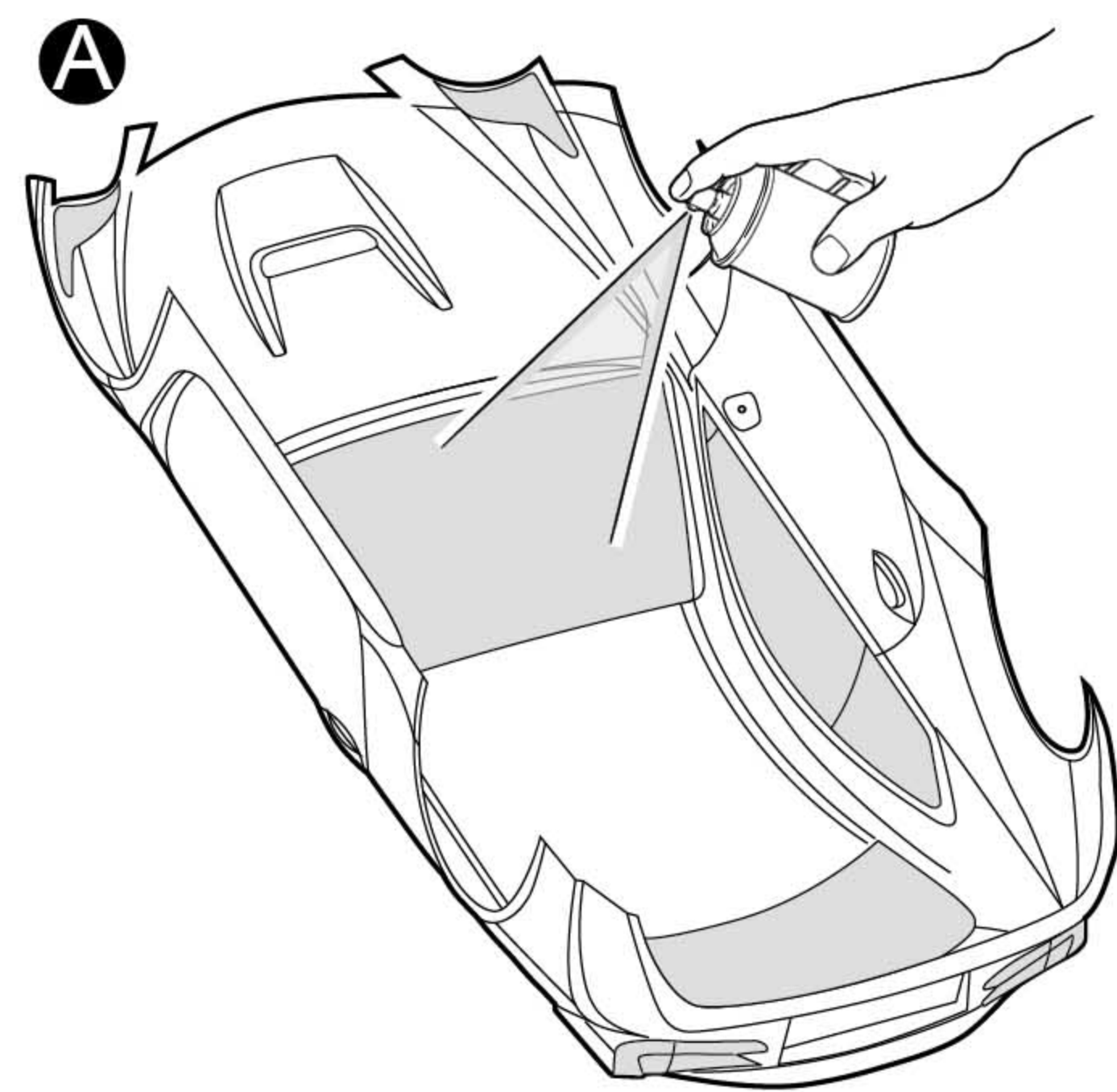


LEXUS RC F NO.48627 ©Killerbody

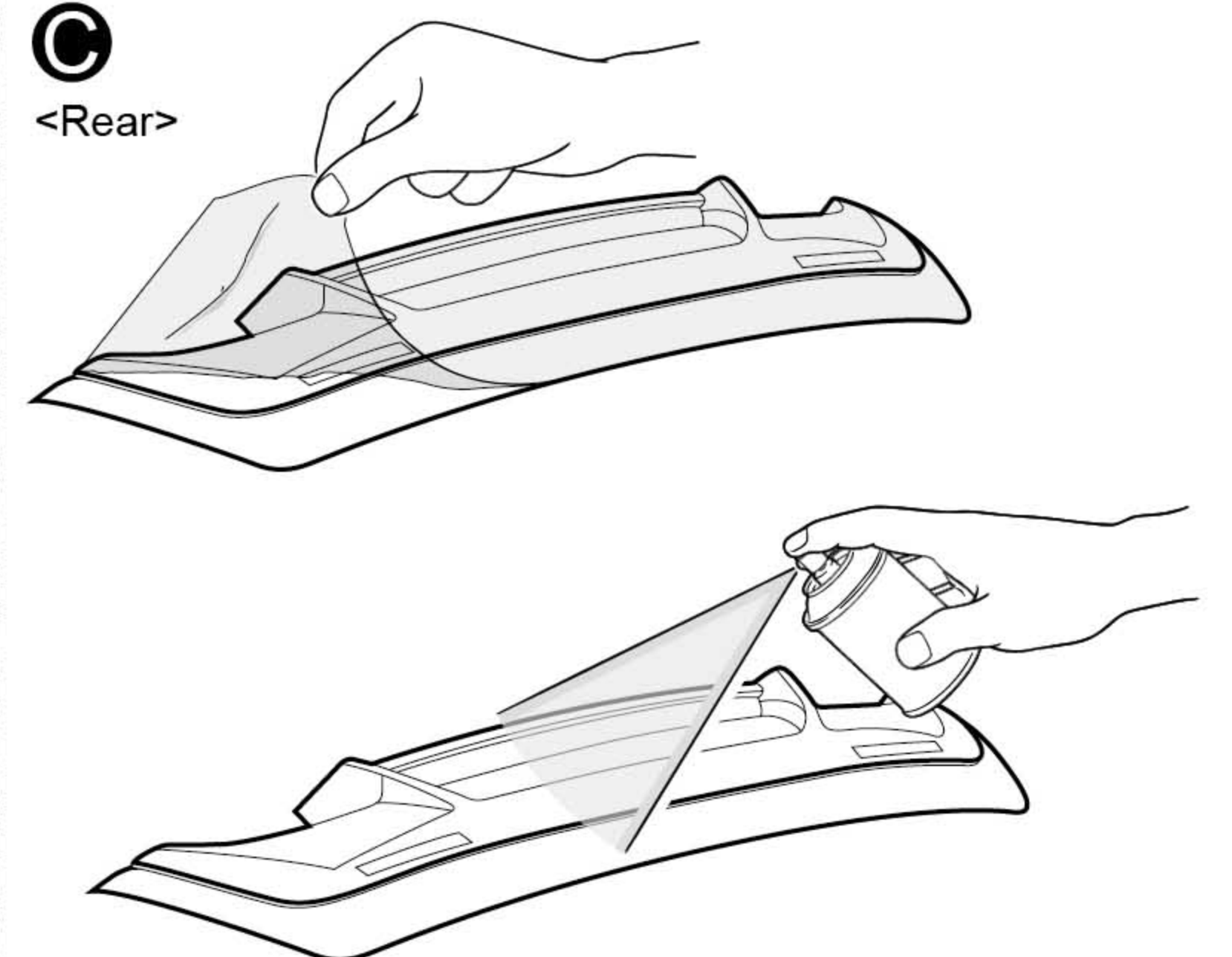
Killerbody



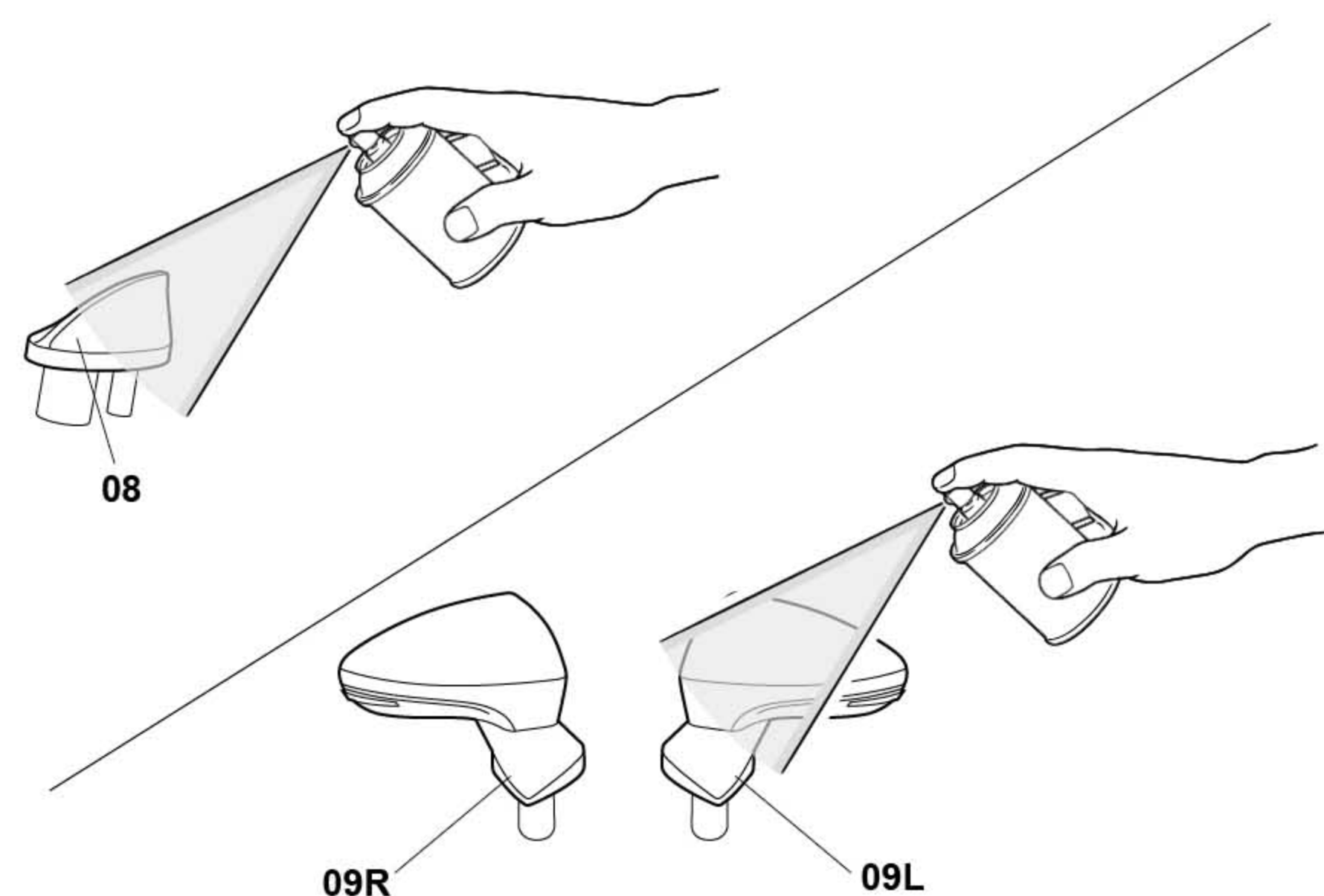
**3** Paint A, B from inside.



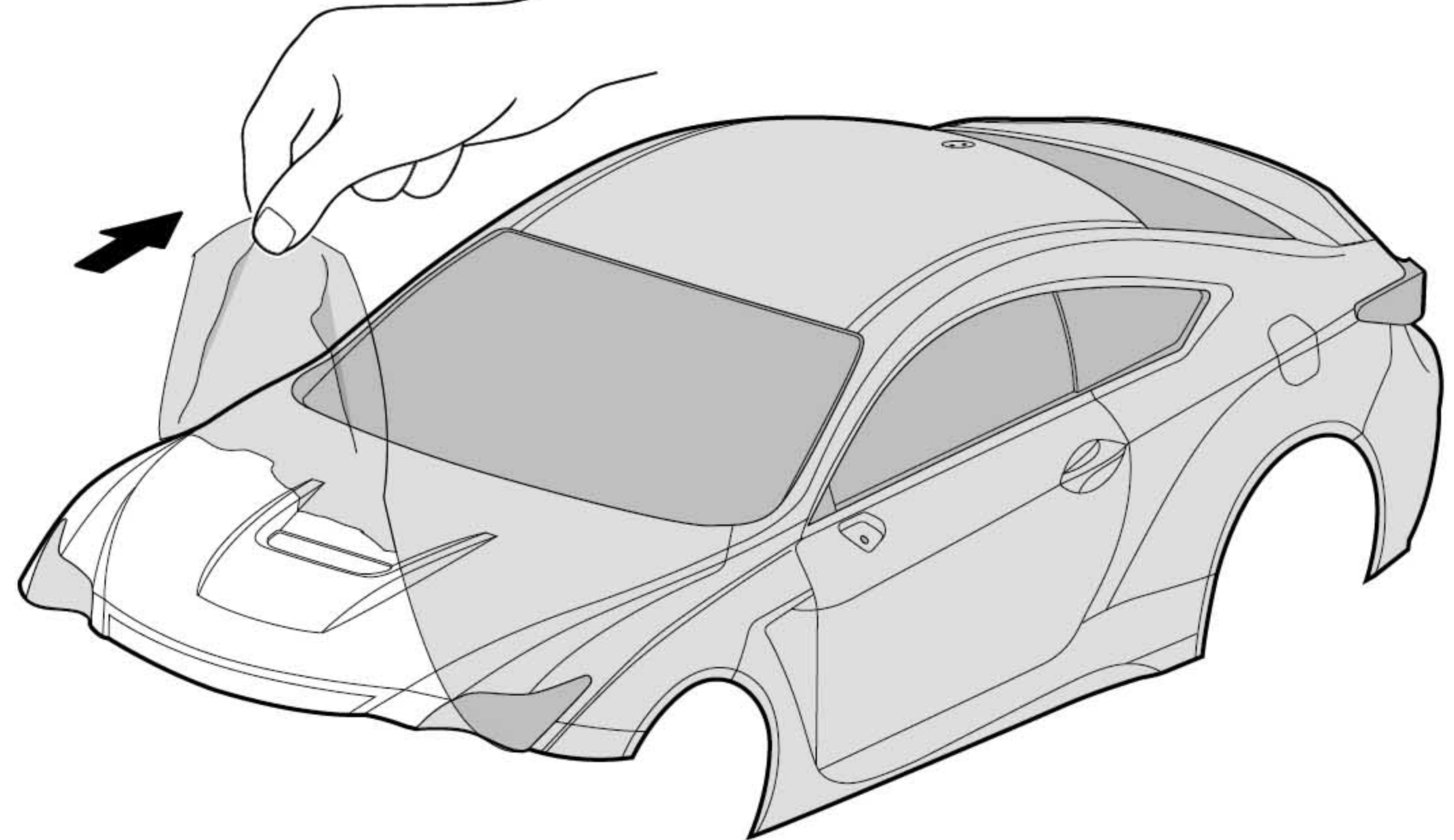
**4** Paint C from outside with black spray color.



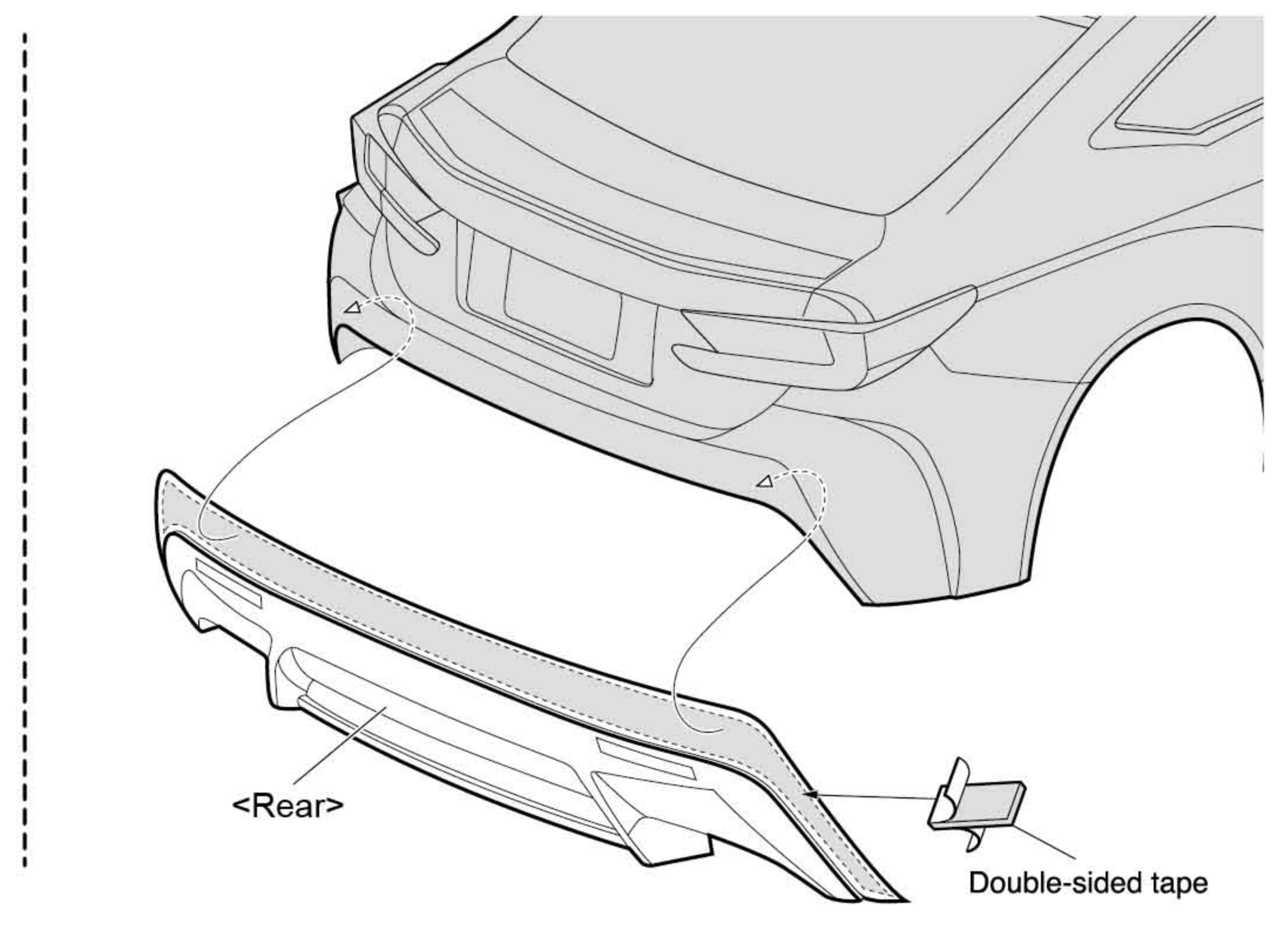
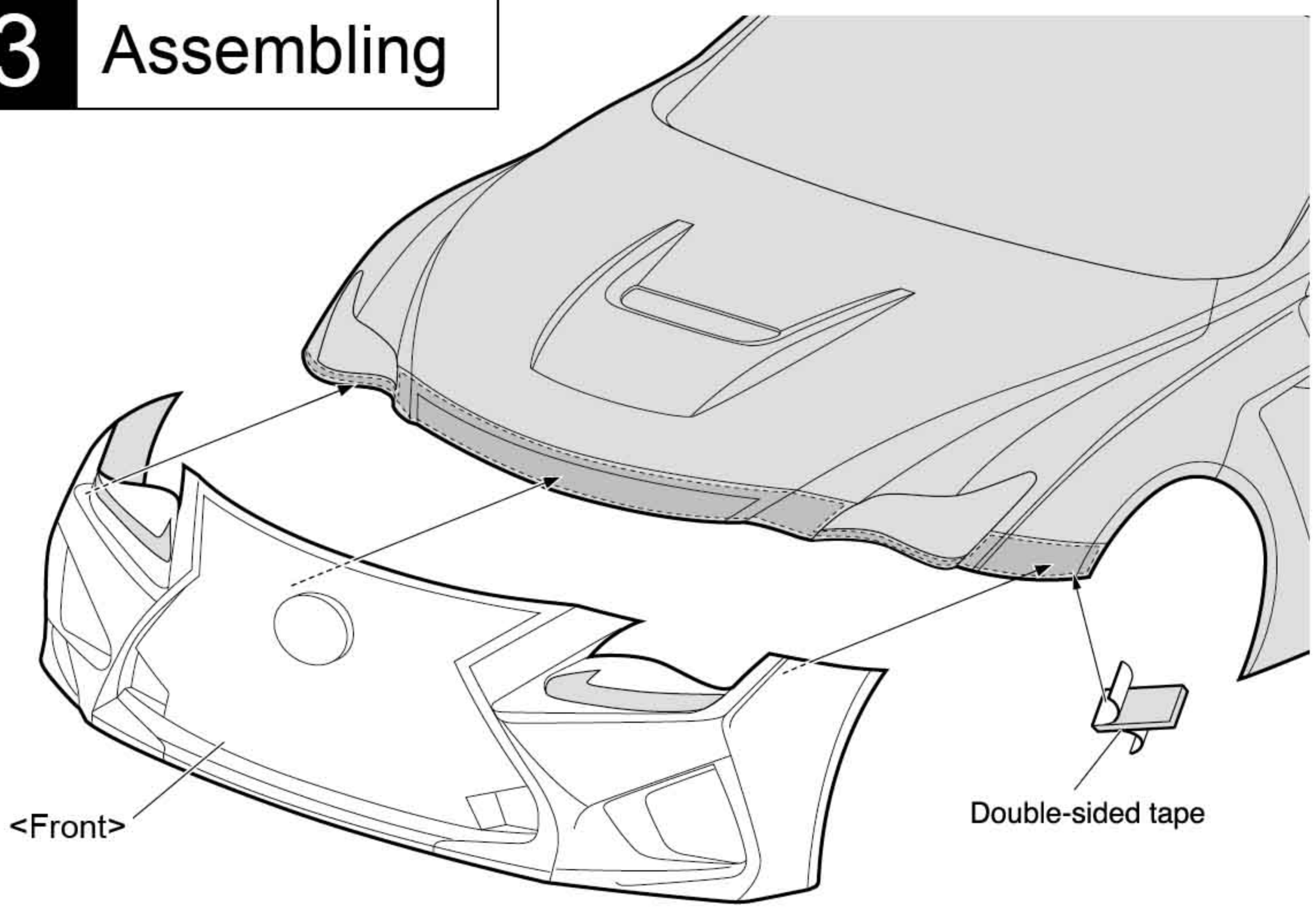
**5** Paint 08, 09L/R from outside.



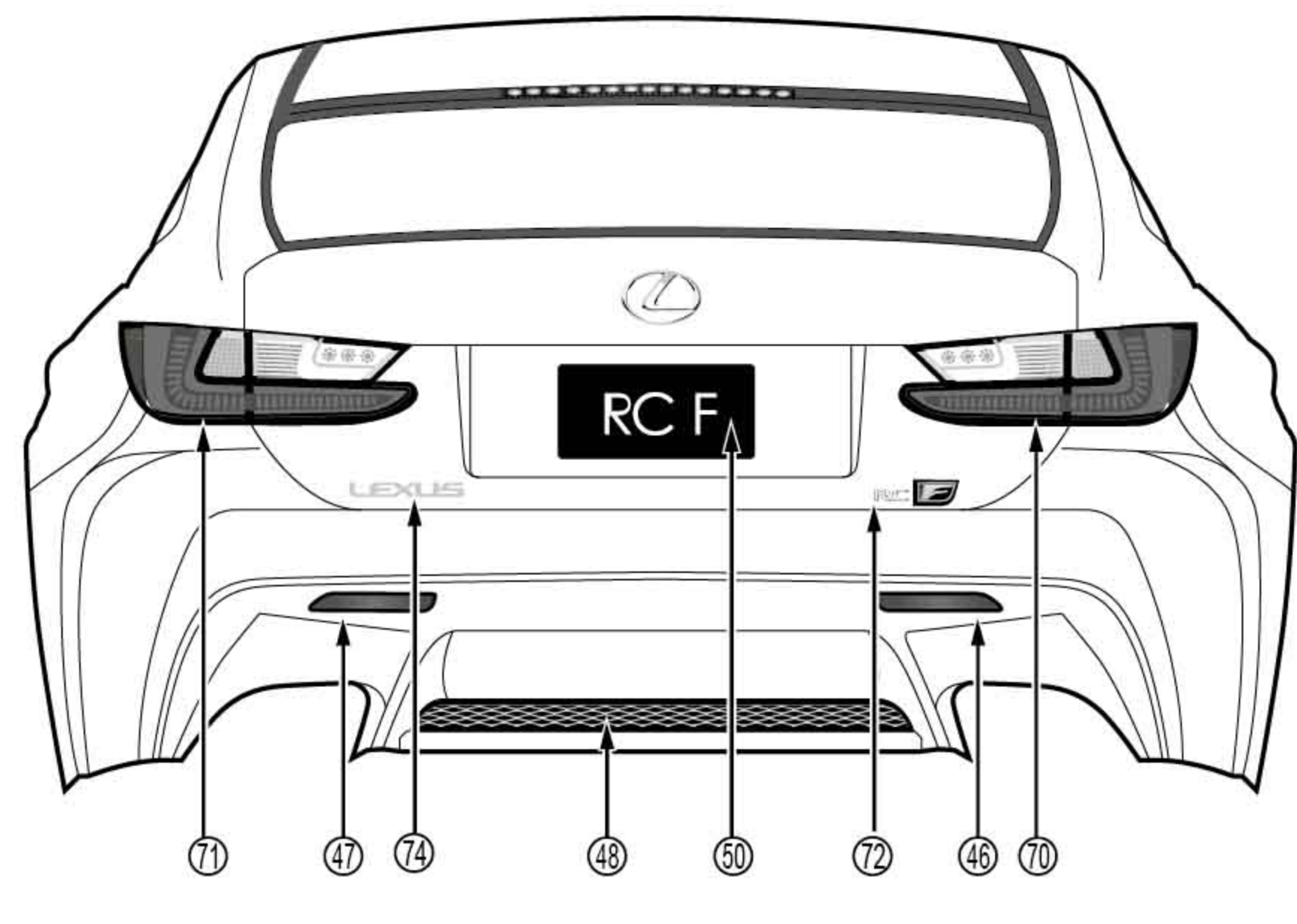
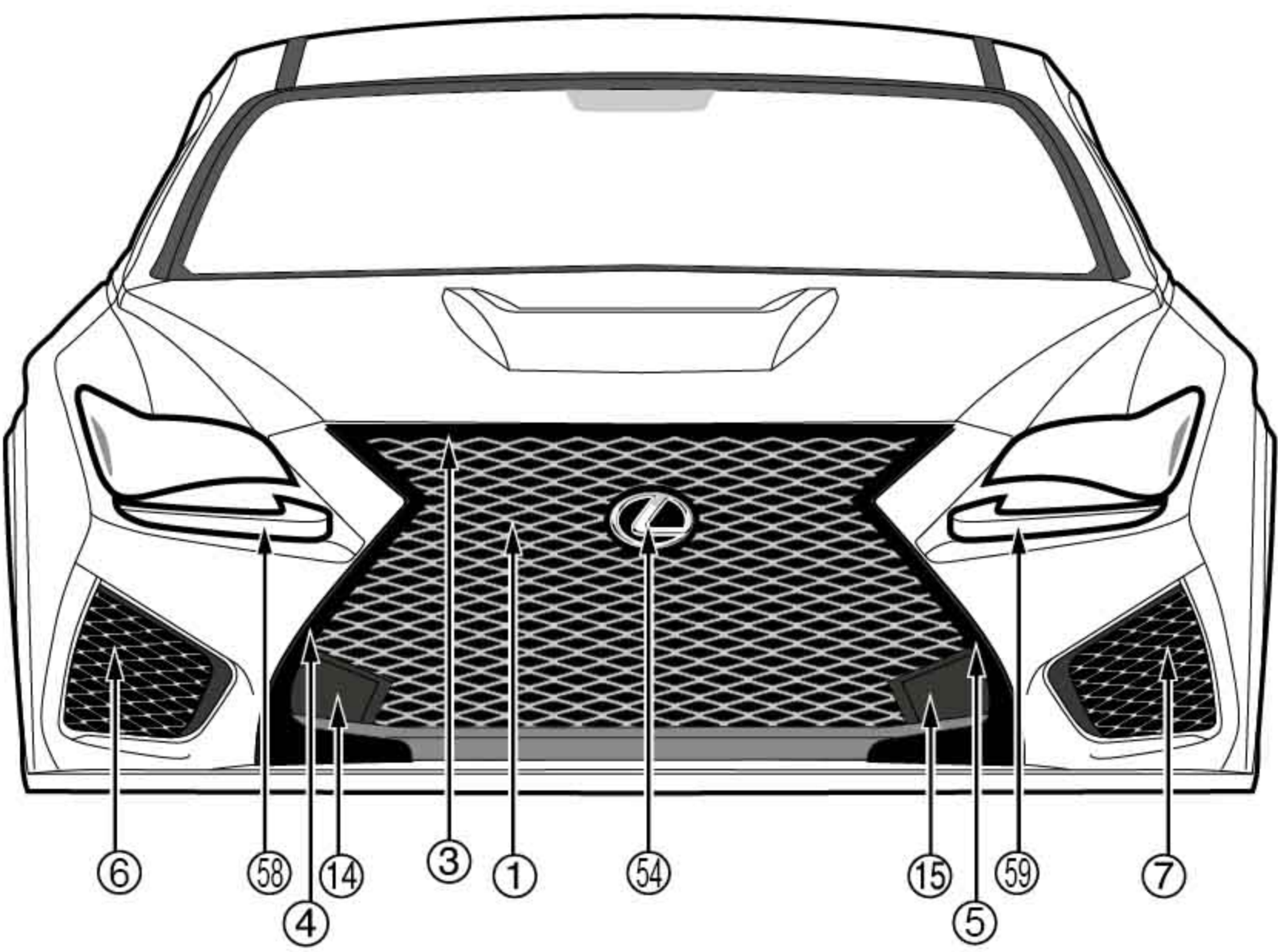
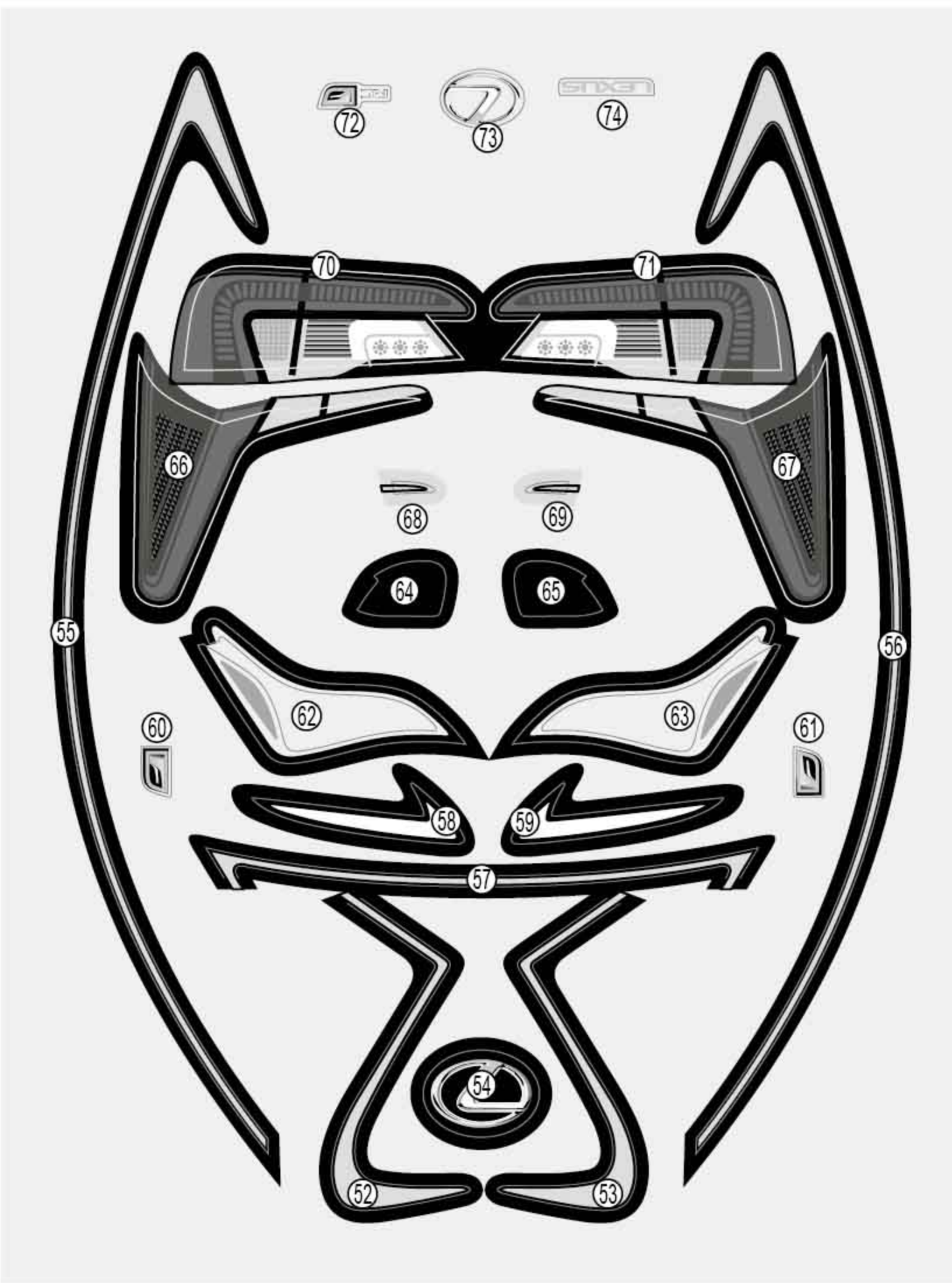
**6** Remove the protective film from outside.

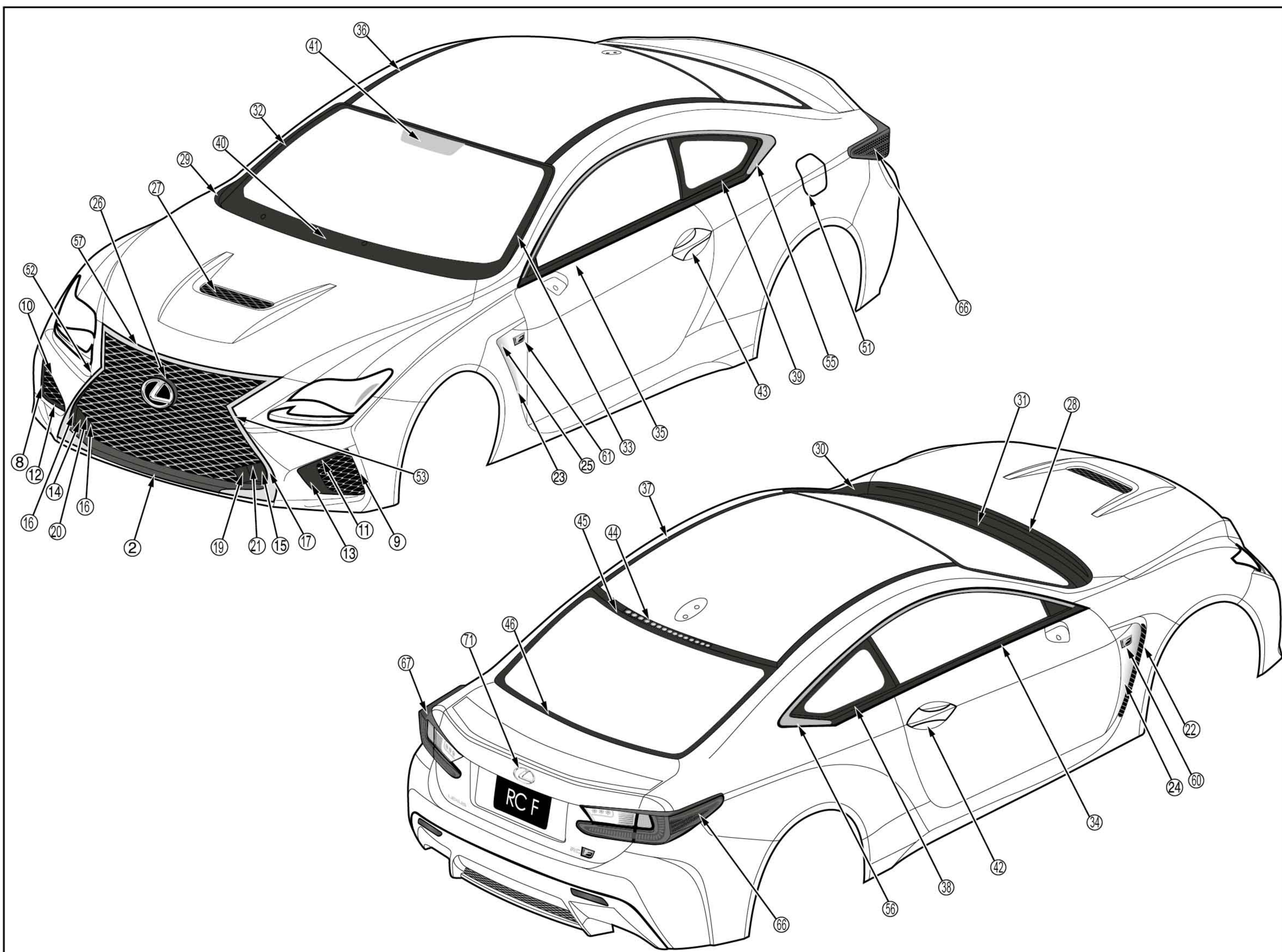


### 3 Assembling



### 4 Decal





## 5 Assembling

Screw 2.3X6mm



Clip



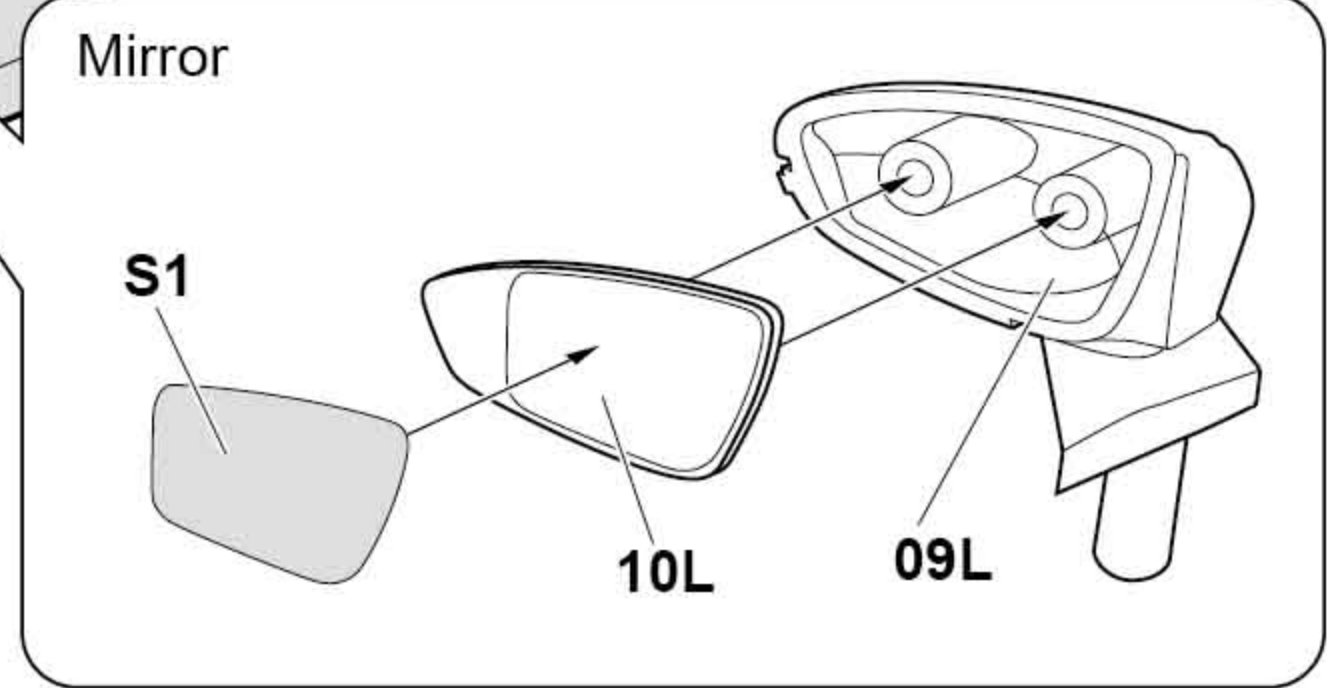
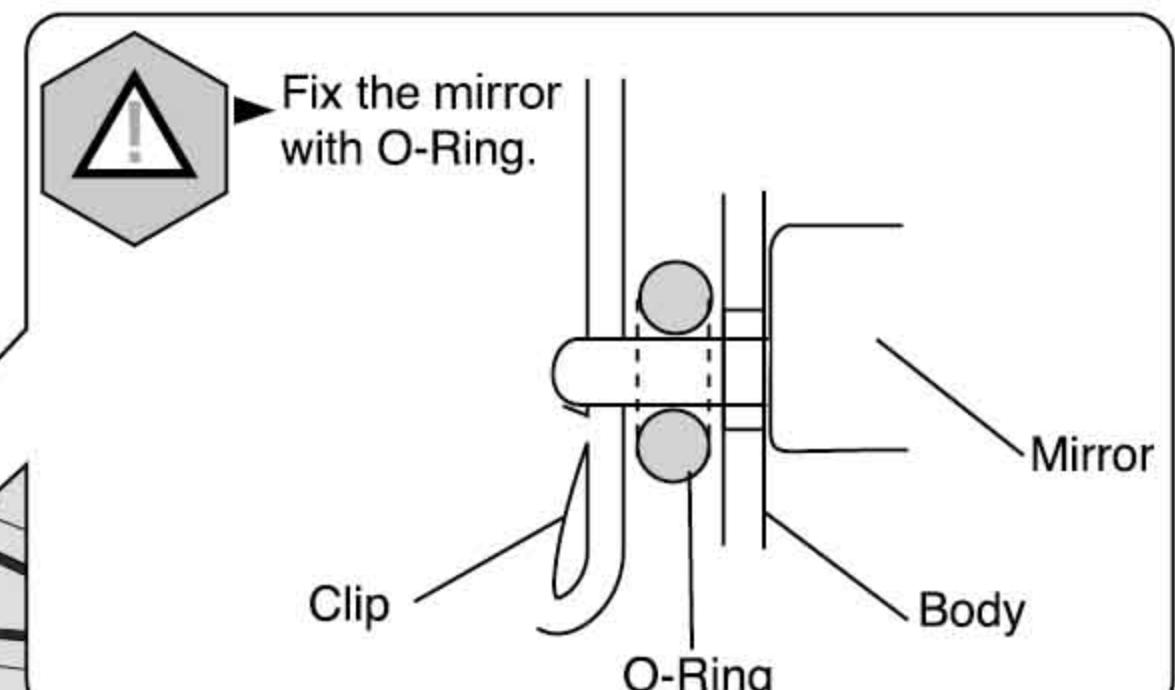
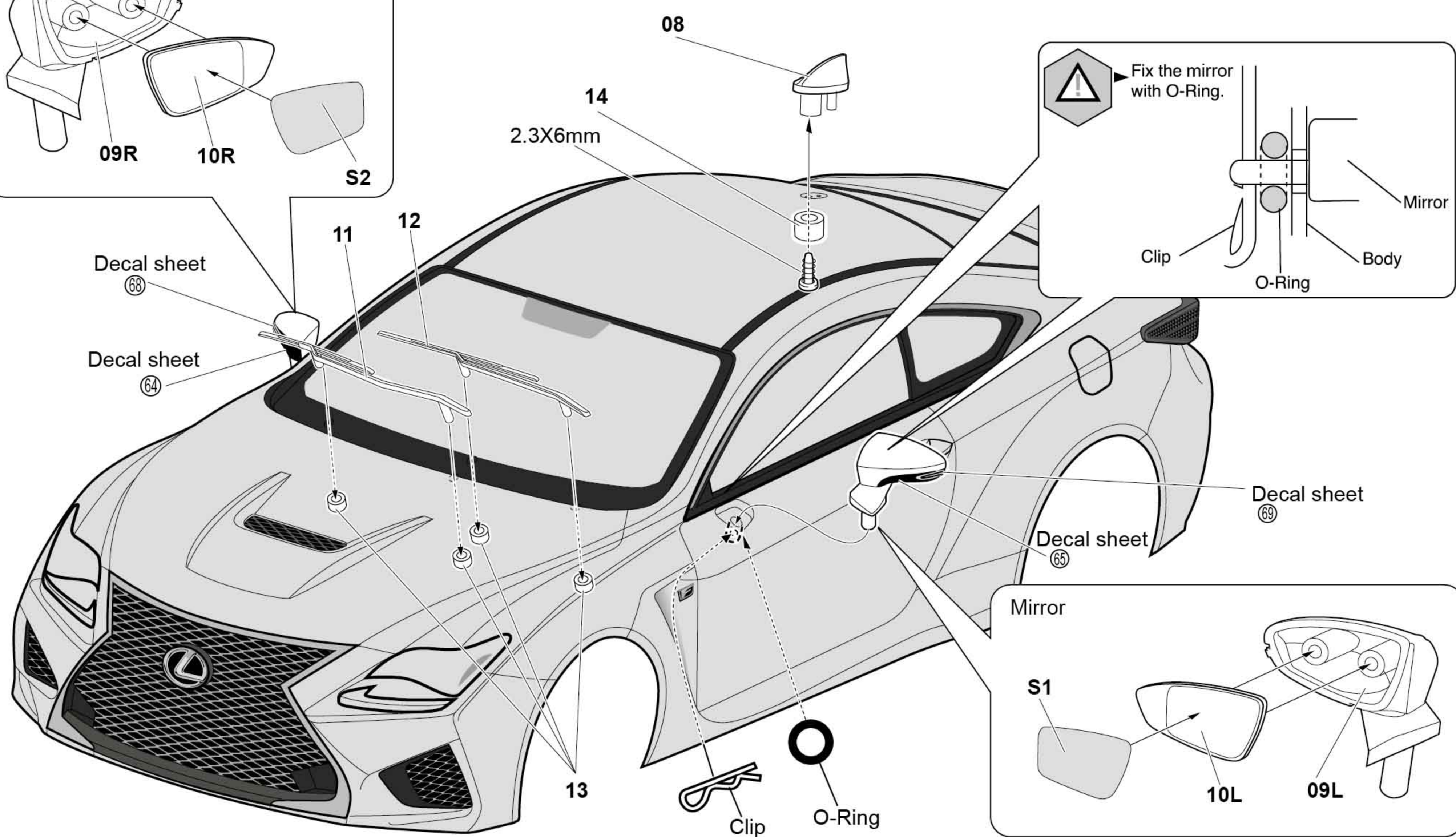
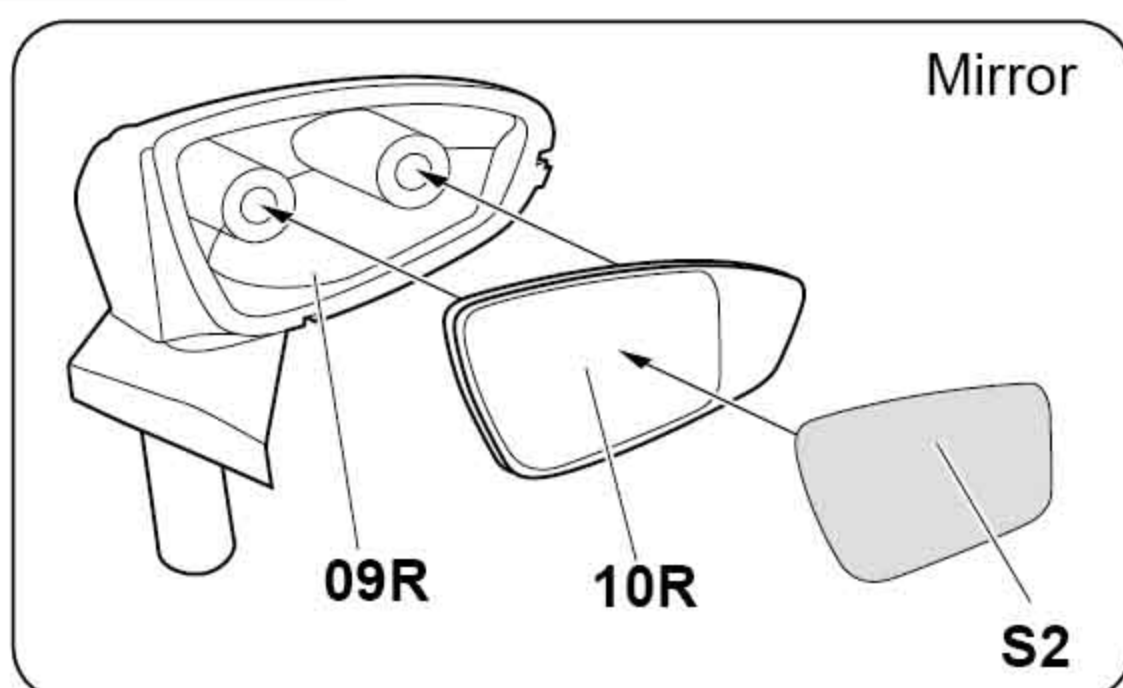
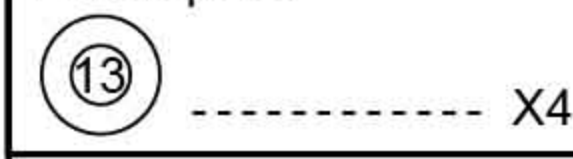
O-Ring



Plastic parts



Plastic parts

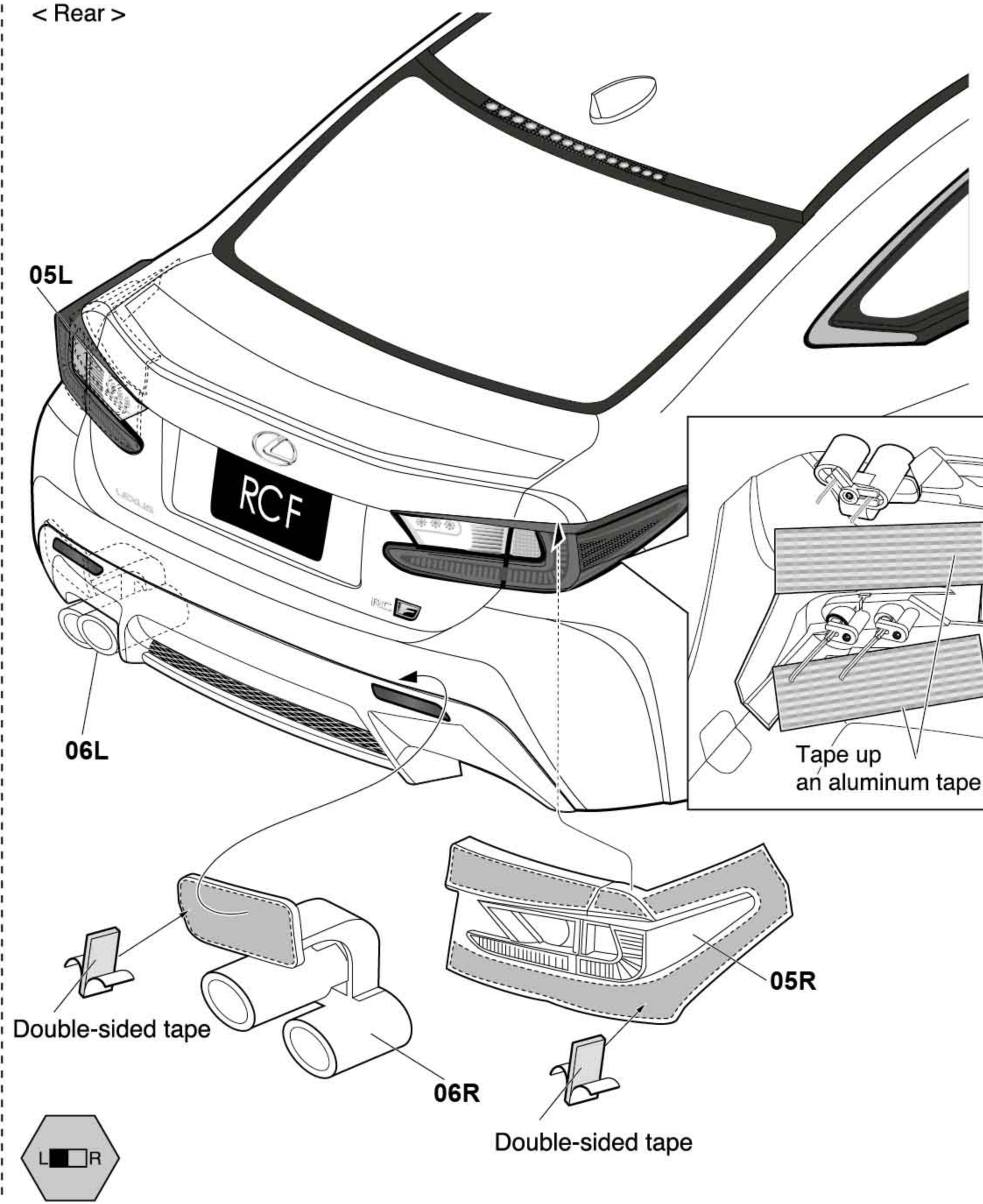
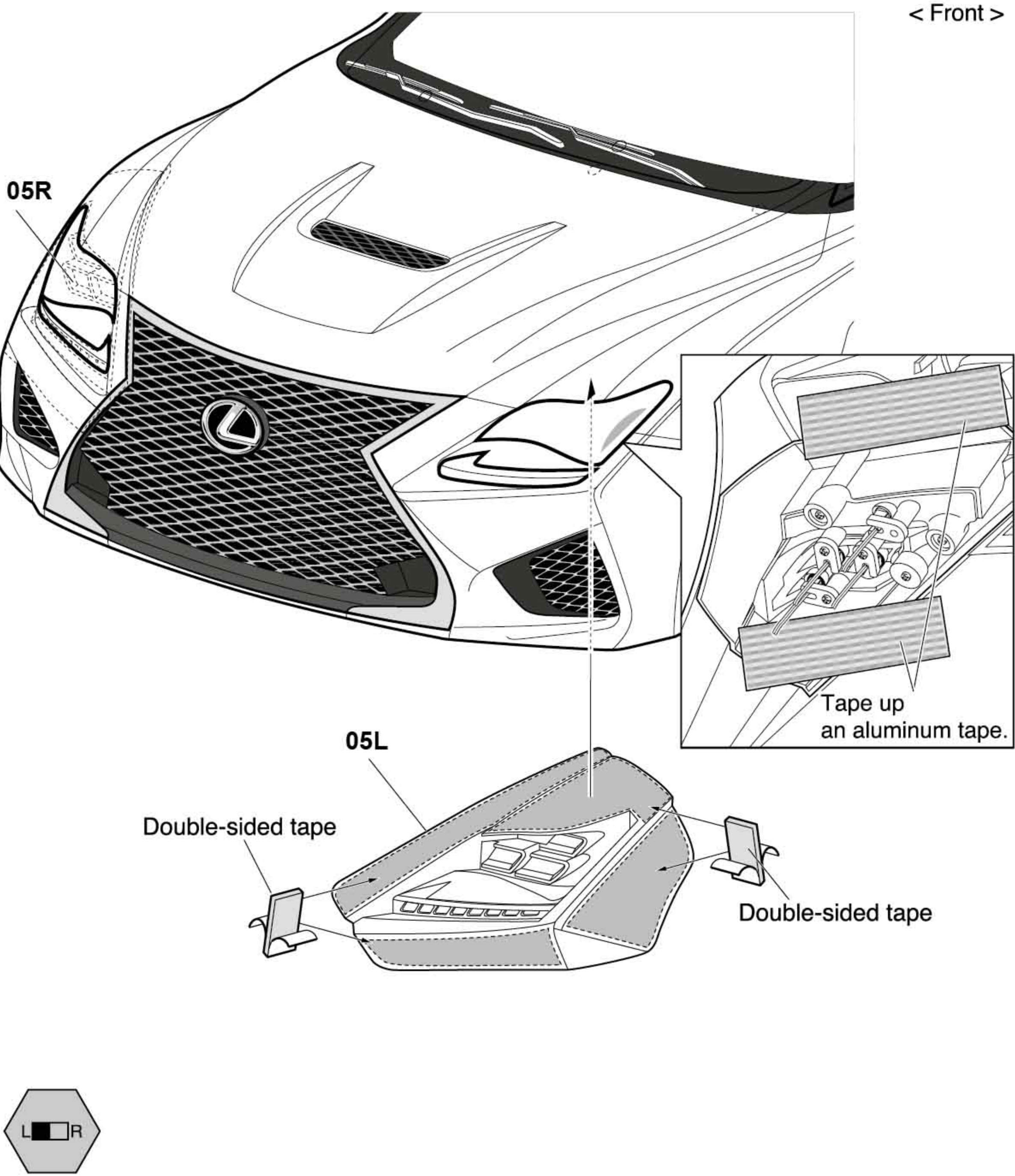
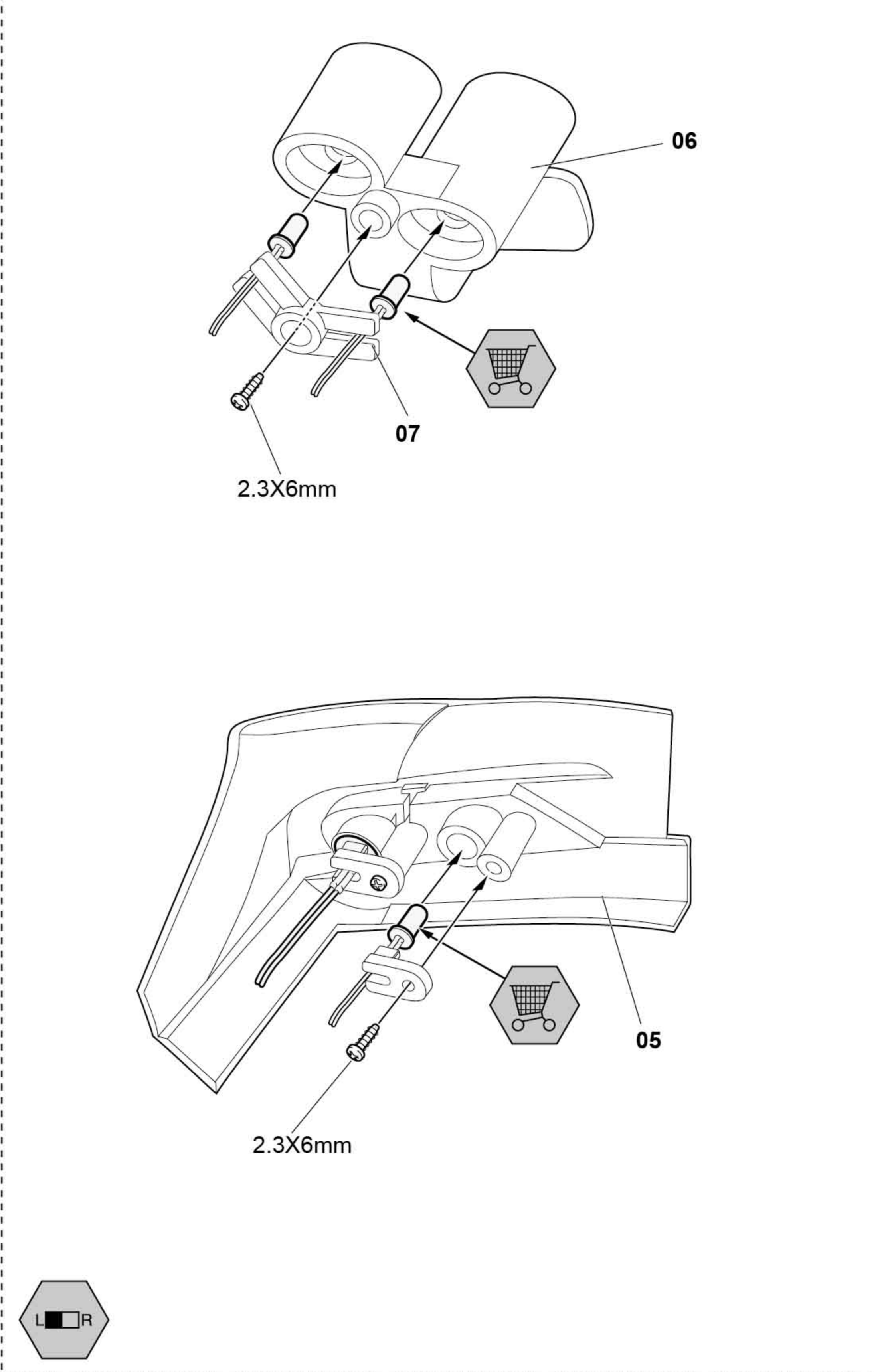
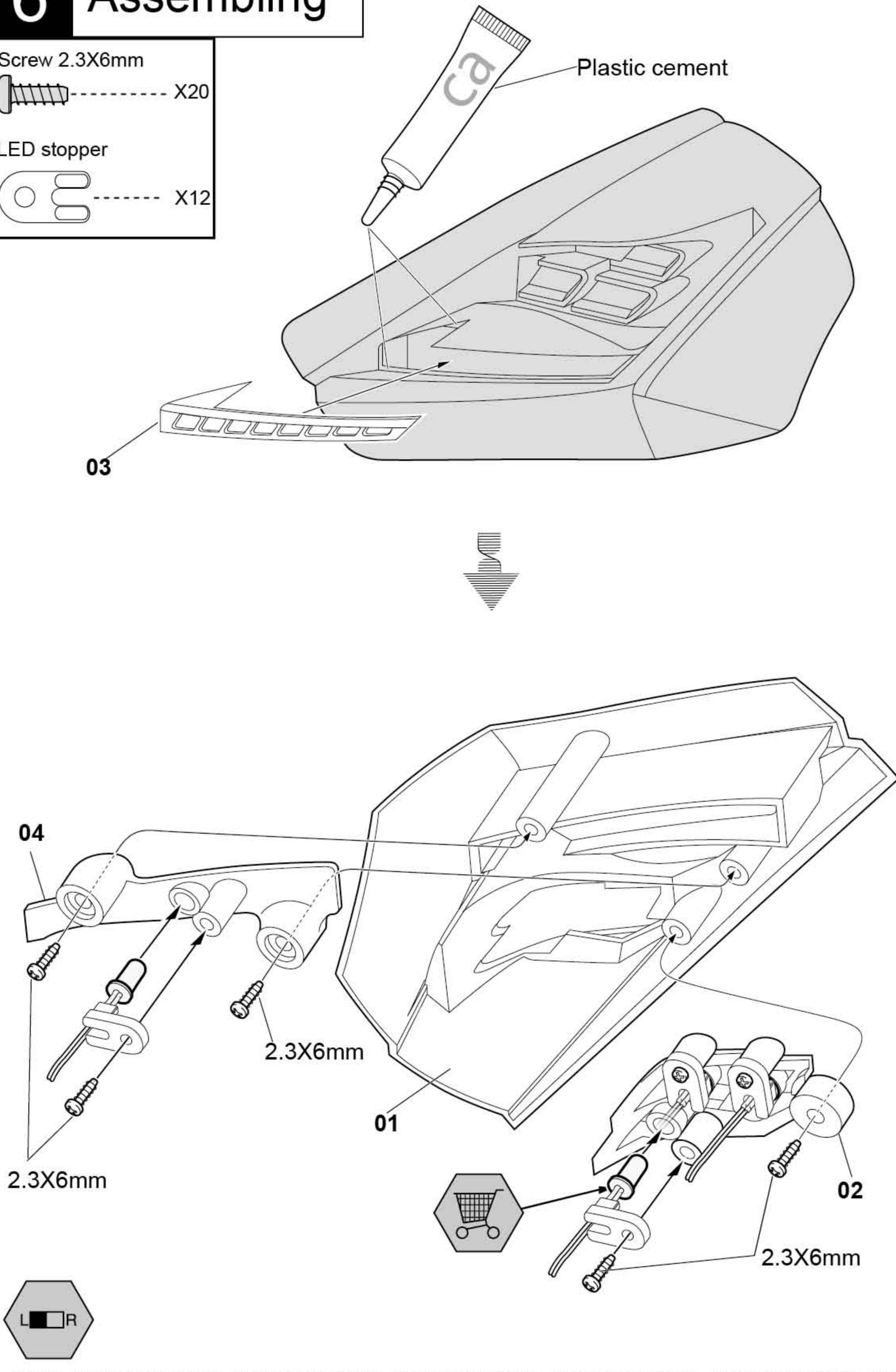


# 6 Assembling

- Screw 2.3X6mm X20
- LED stopper X12

< Front >

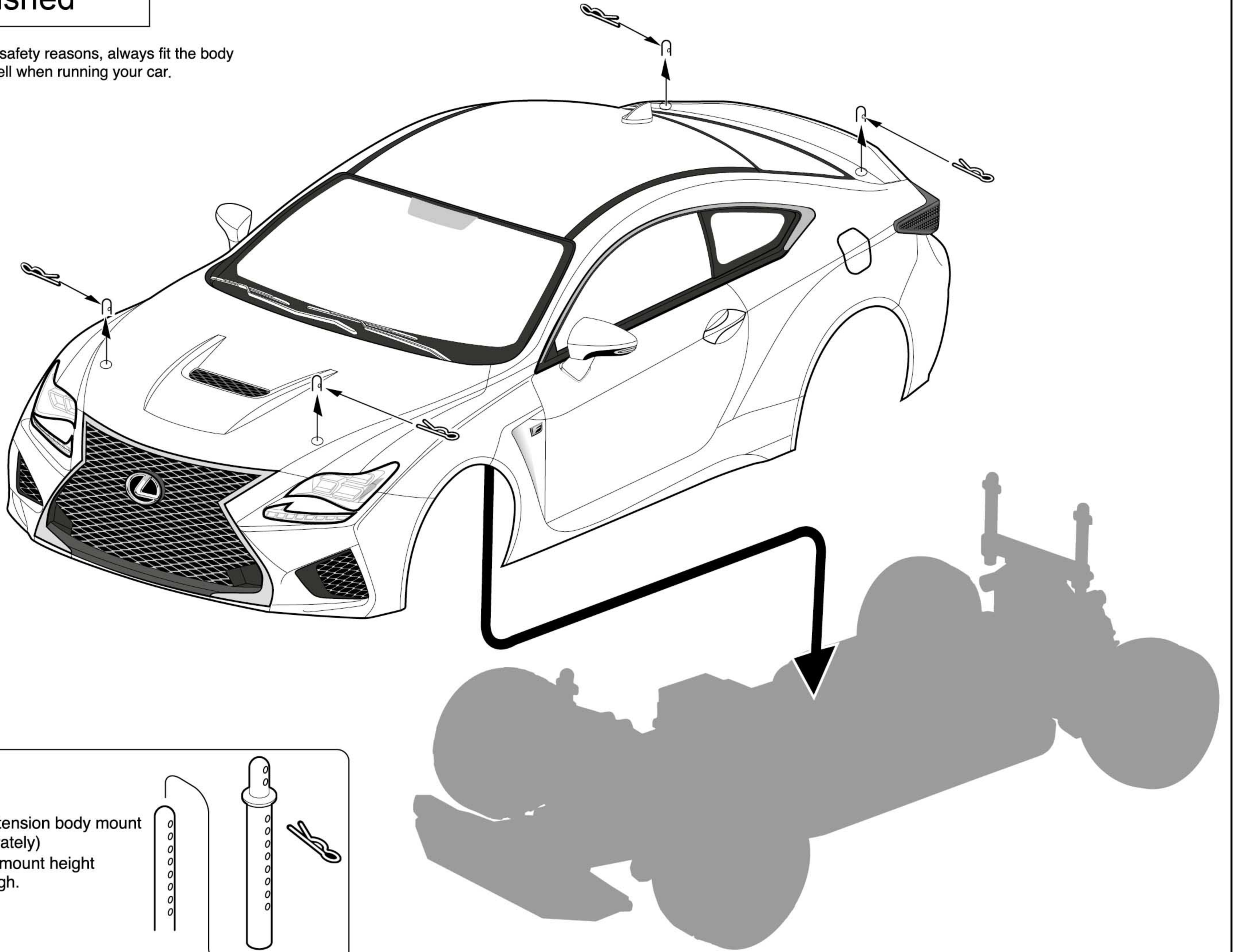
< Rear >



# 7 Finished



► For safety reasons, always fit the body shell when running your car.



► Use the extension body mount (sold separately) if the body mount height is not enough.

