

Nissan Skyline (R34)

BODY SHELL

Official Licensed Product

NO.48626

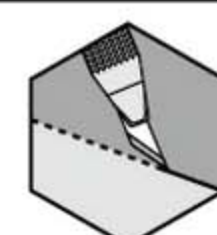
Killerbody™

1/10 RC PLANNING INSTRUCTION SHEET

This body can be used with 1/10 electric touring car chassis (Long Wheelbase: 257mm With: 195mm)

Before beginning assembly, please read these instructions thoroughly!

● Symbols used throughout the instruction manual, comprise:



Cut off shaded portion.



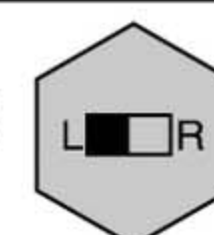
5mm
Drill holes with the specified diameter.



Pay close attention here!



Must be purchased separately.



Assemble left and right sides the same way.



● Before Assembly

Decoration Body

- ▶ In the case of a decoration body, please assemble it according to the contents showed.

When making the window transparent

- ▶ If you want to make the window transparent with a non decoration body, please assemble it according to the contents showed.

Non Decoration Body

- ▶ In the case of non decoration body, please assemble it according to the contents showed.

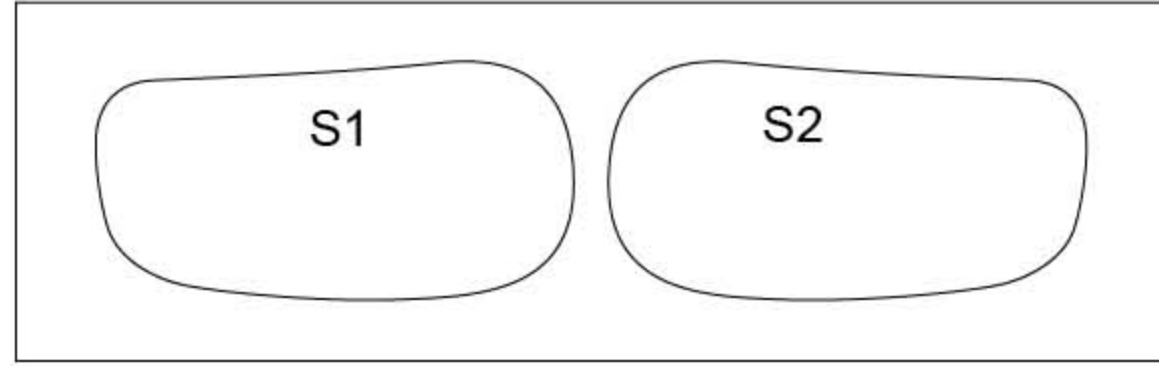
When loading LED lights

- ▶ If you want to load LED lights with a non decoration body, please assemble it according to the contents showed.

PARTS

- PC body ----- X1
- PC parts ----- X3
- ABS parts ----- X1
- ABS chromed parts ----- X1
- Decal sheet ----- X1
- Window masks ----- X1

- Silver mirror decal ----- X1

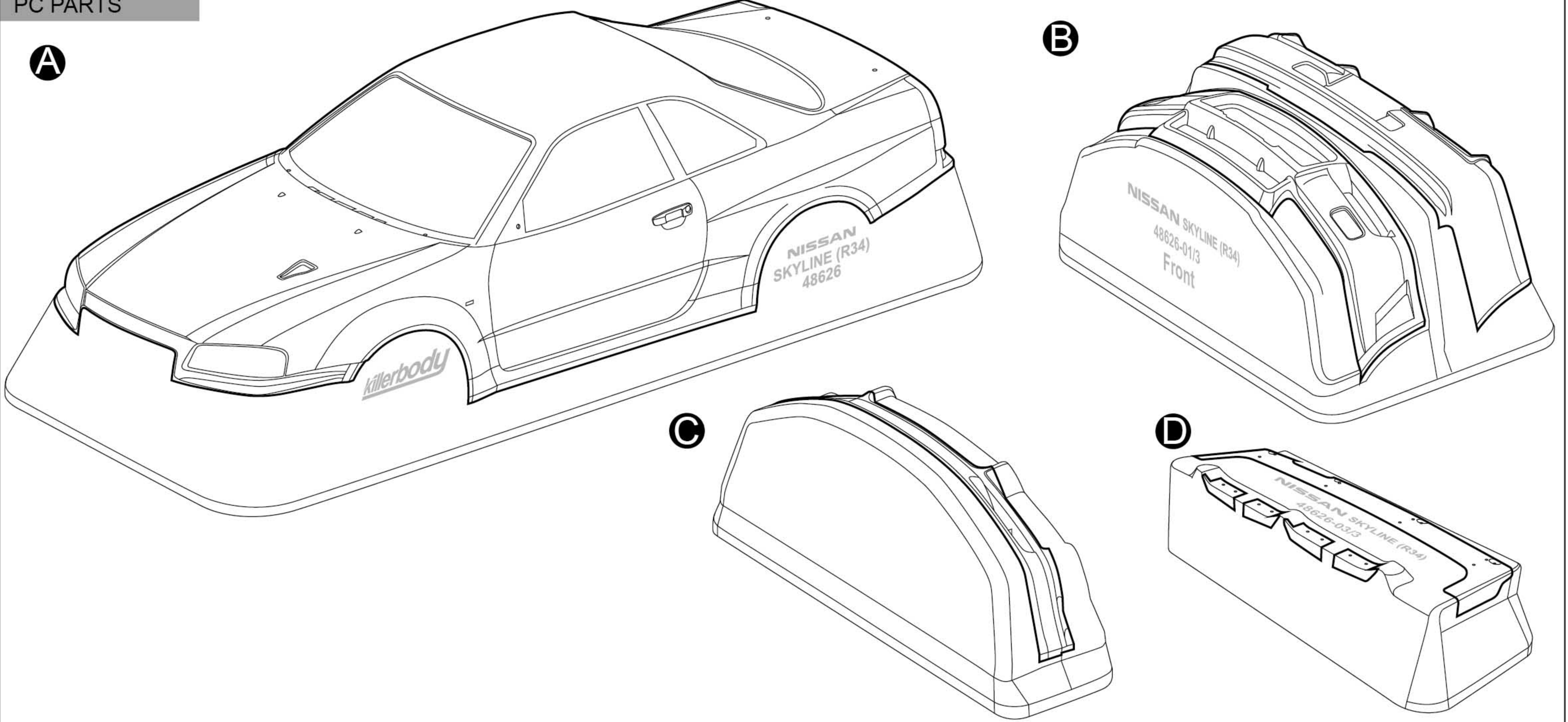


PARTS BAG

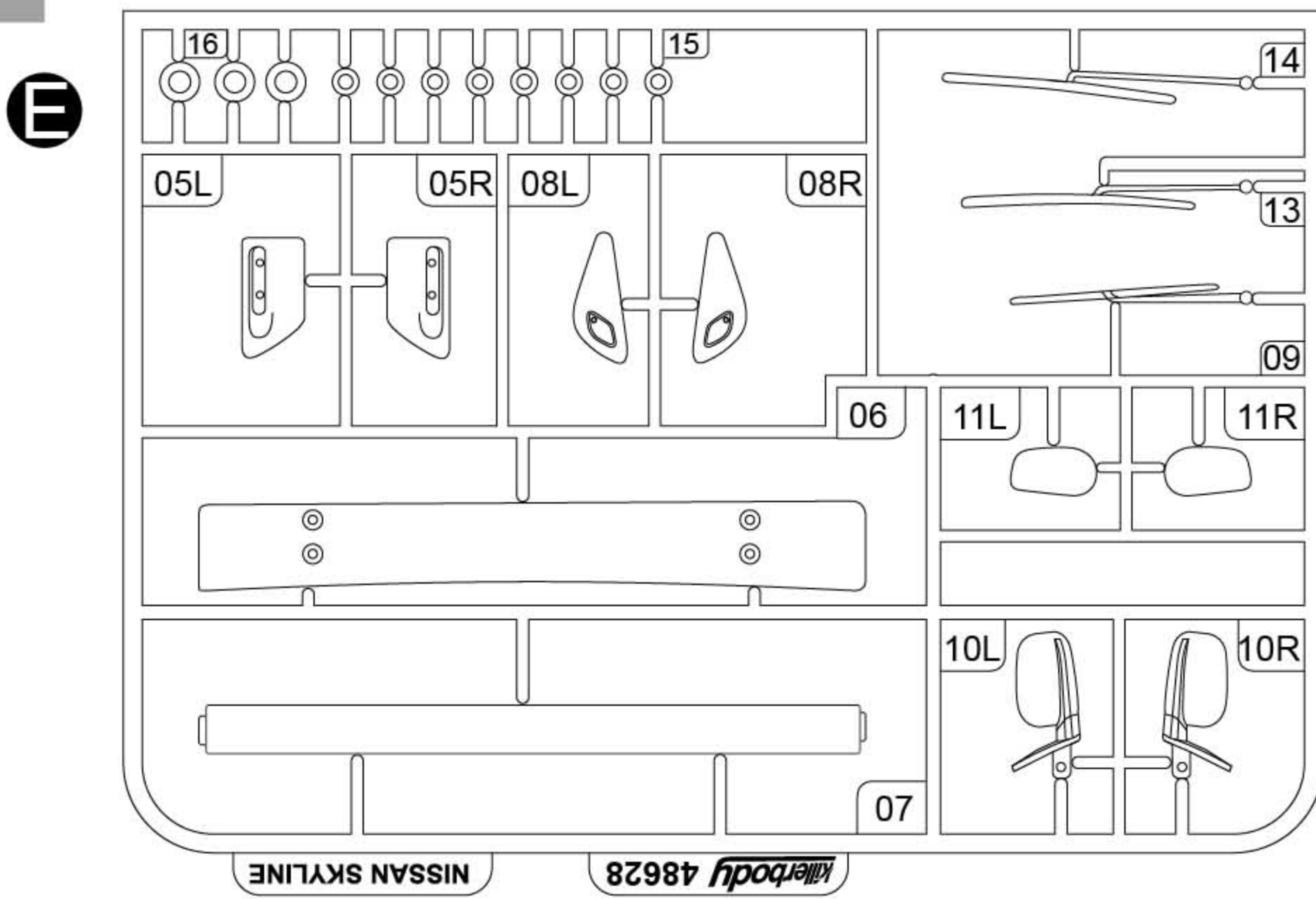
- LED stopper ----- X17
- Clip ----- X2
- O-Ring ----- X2

- Screw 2.3X6mm ----- X20
- Tapping screw 1.4X4mm ----- X12
- Tapping screw 1.4X6mm ----- X4
- Double-sided tape ----- X1

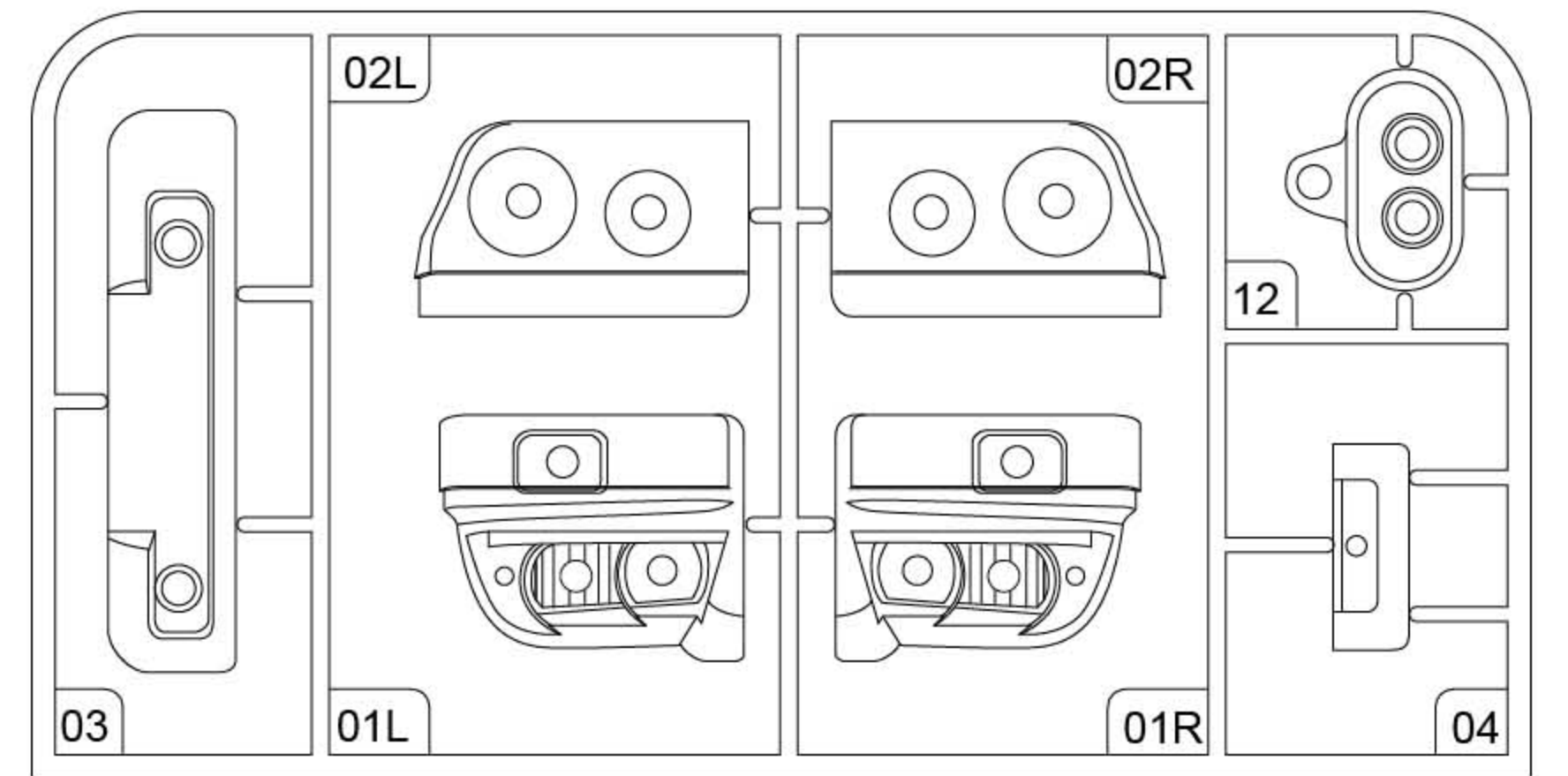
PC PARTS



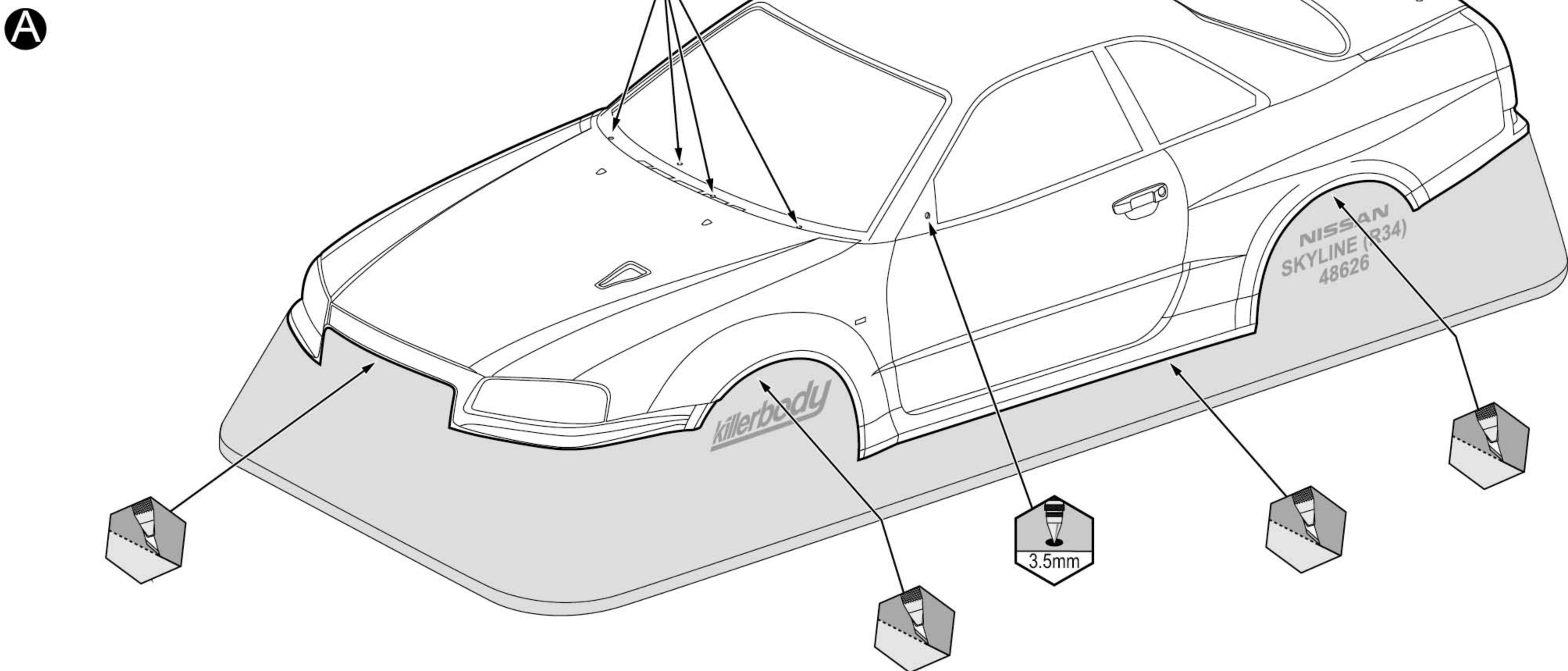
ABS PARTS

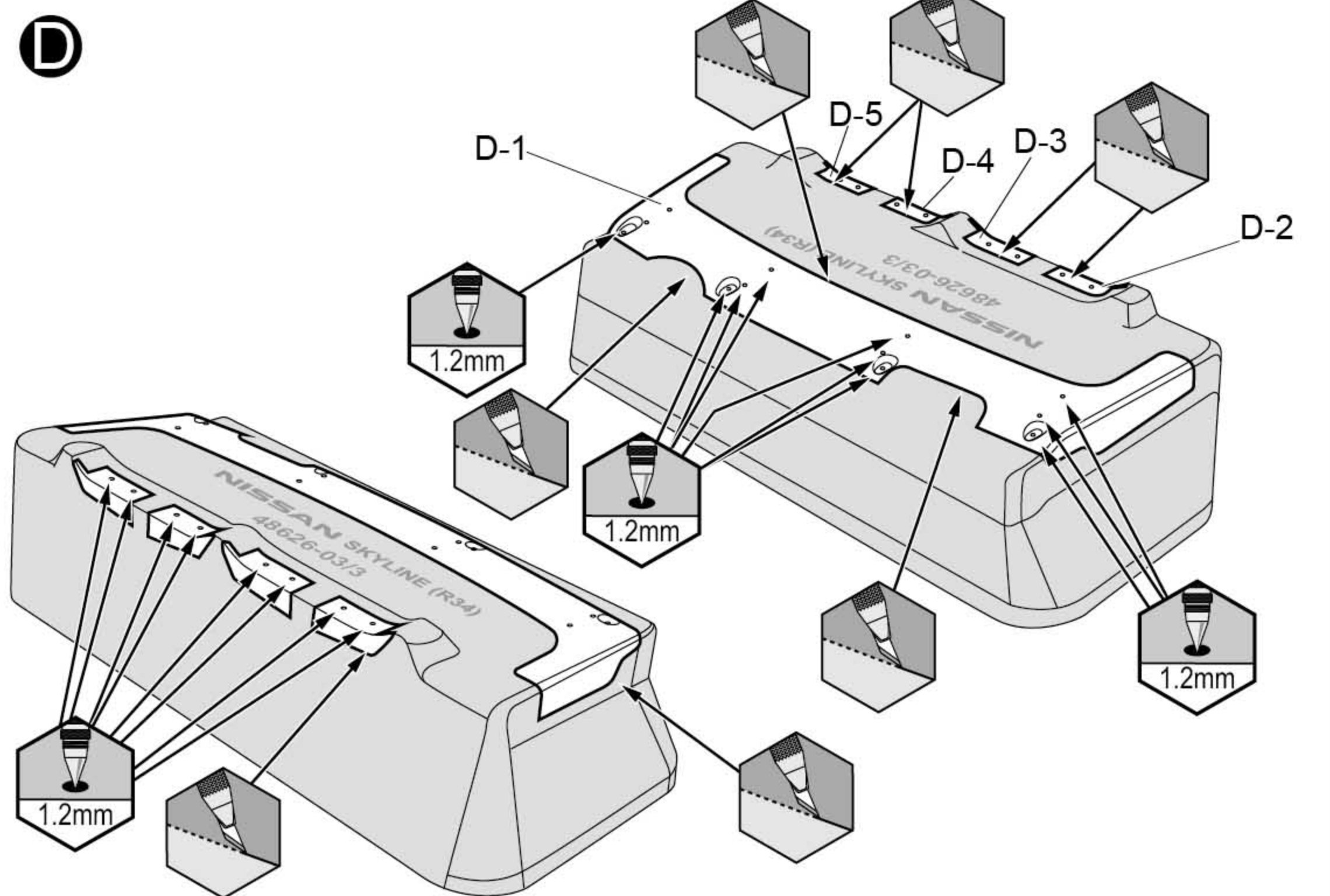
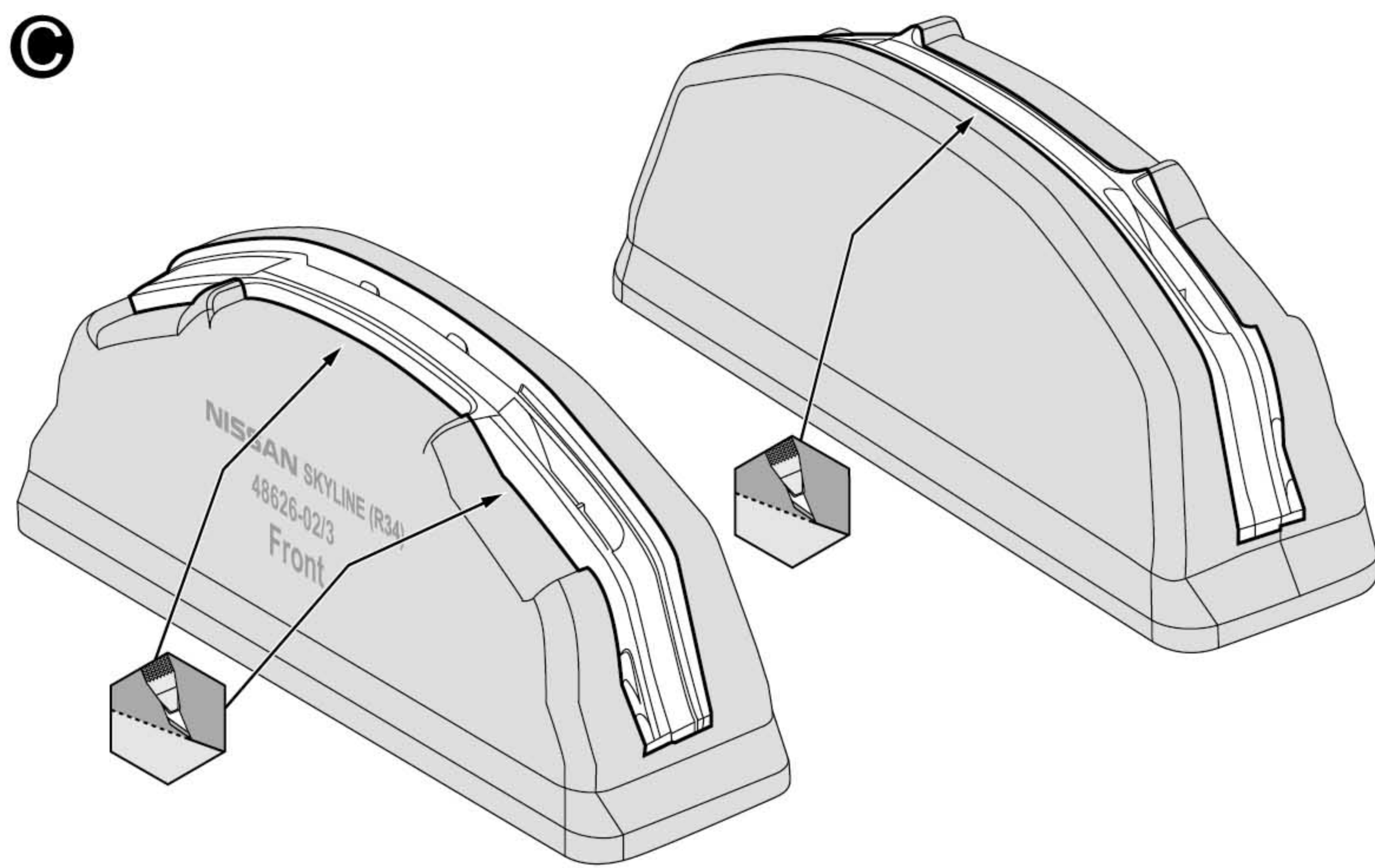
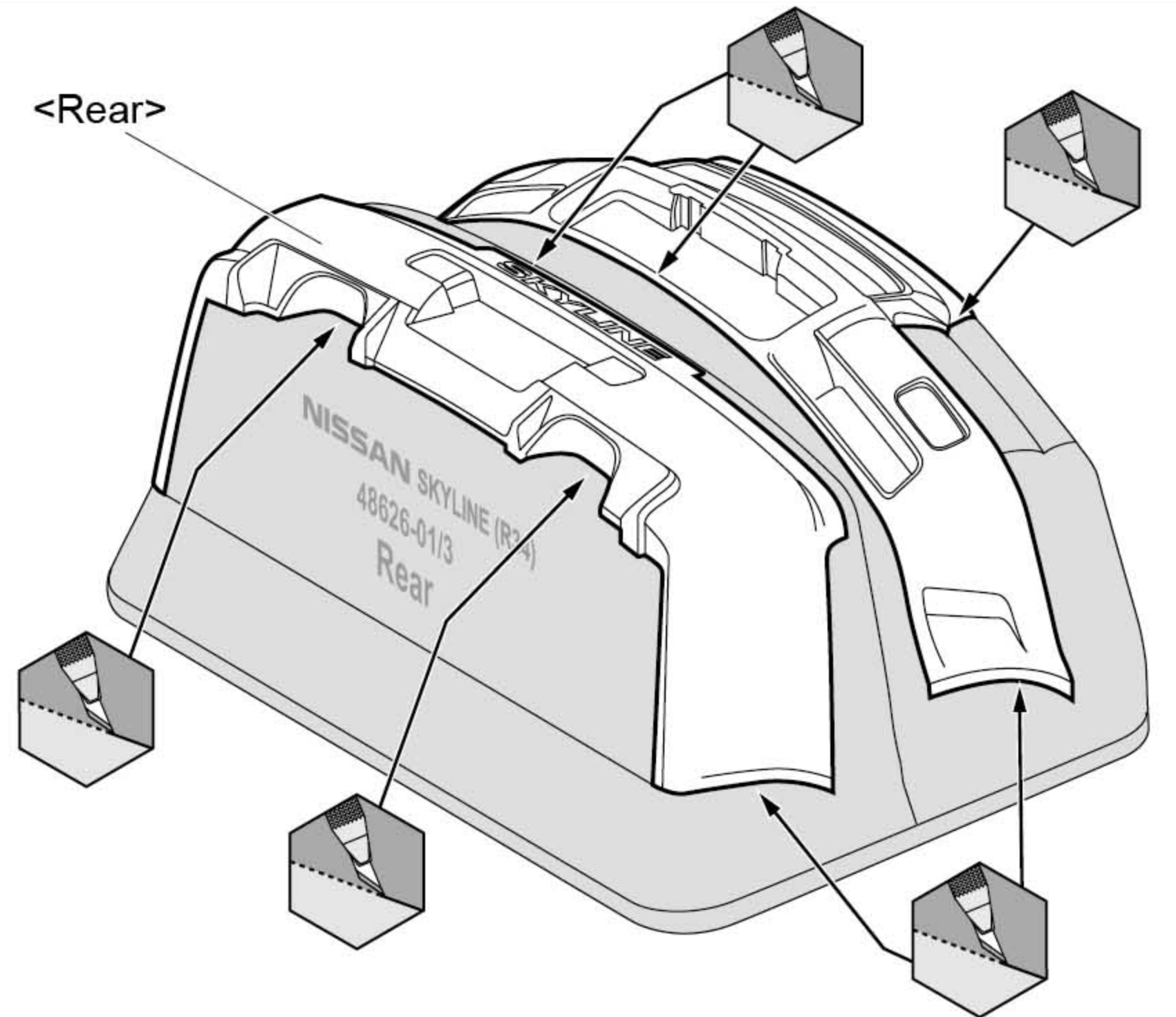
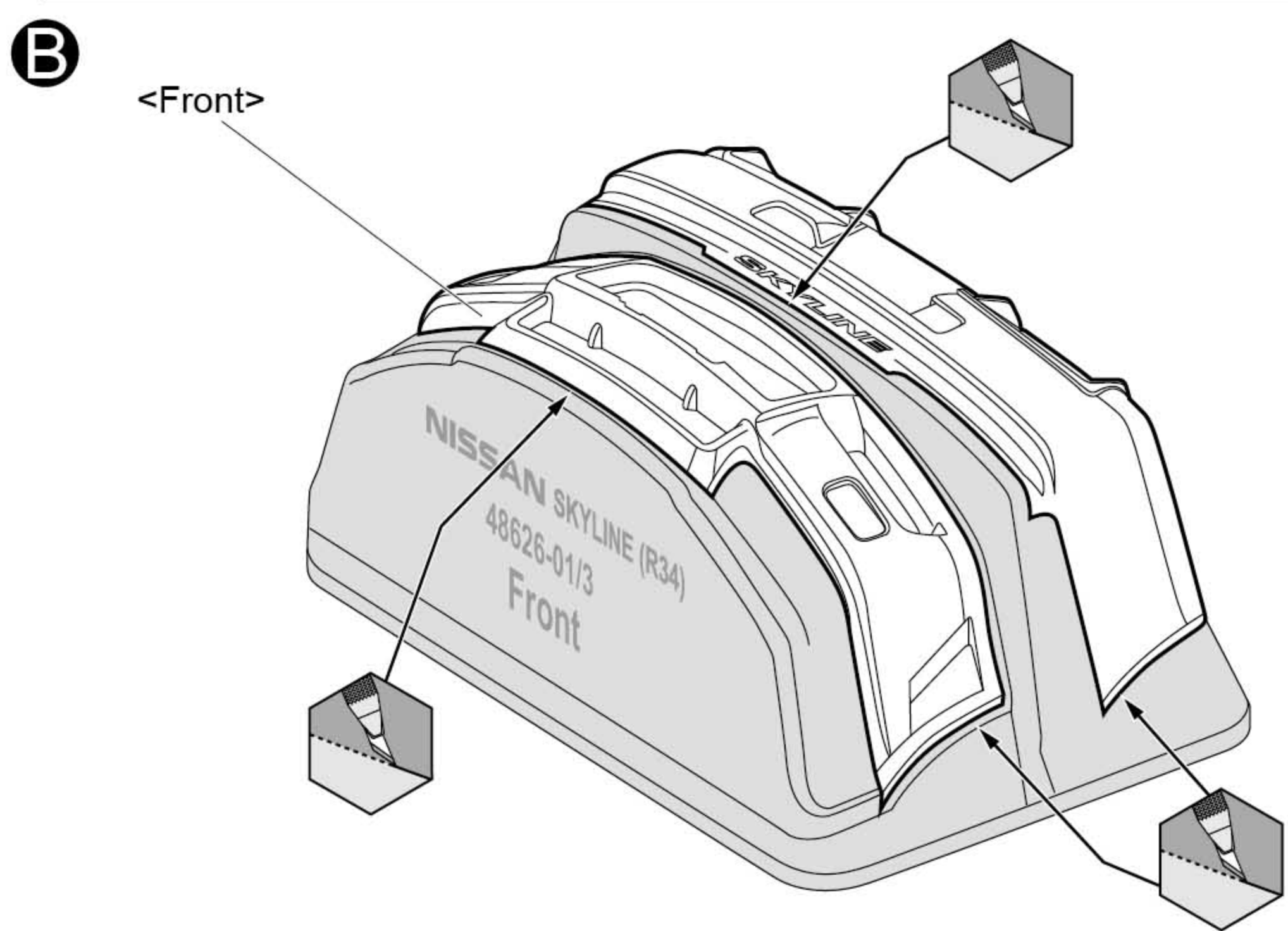
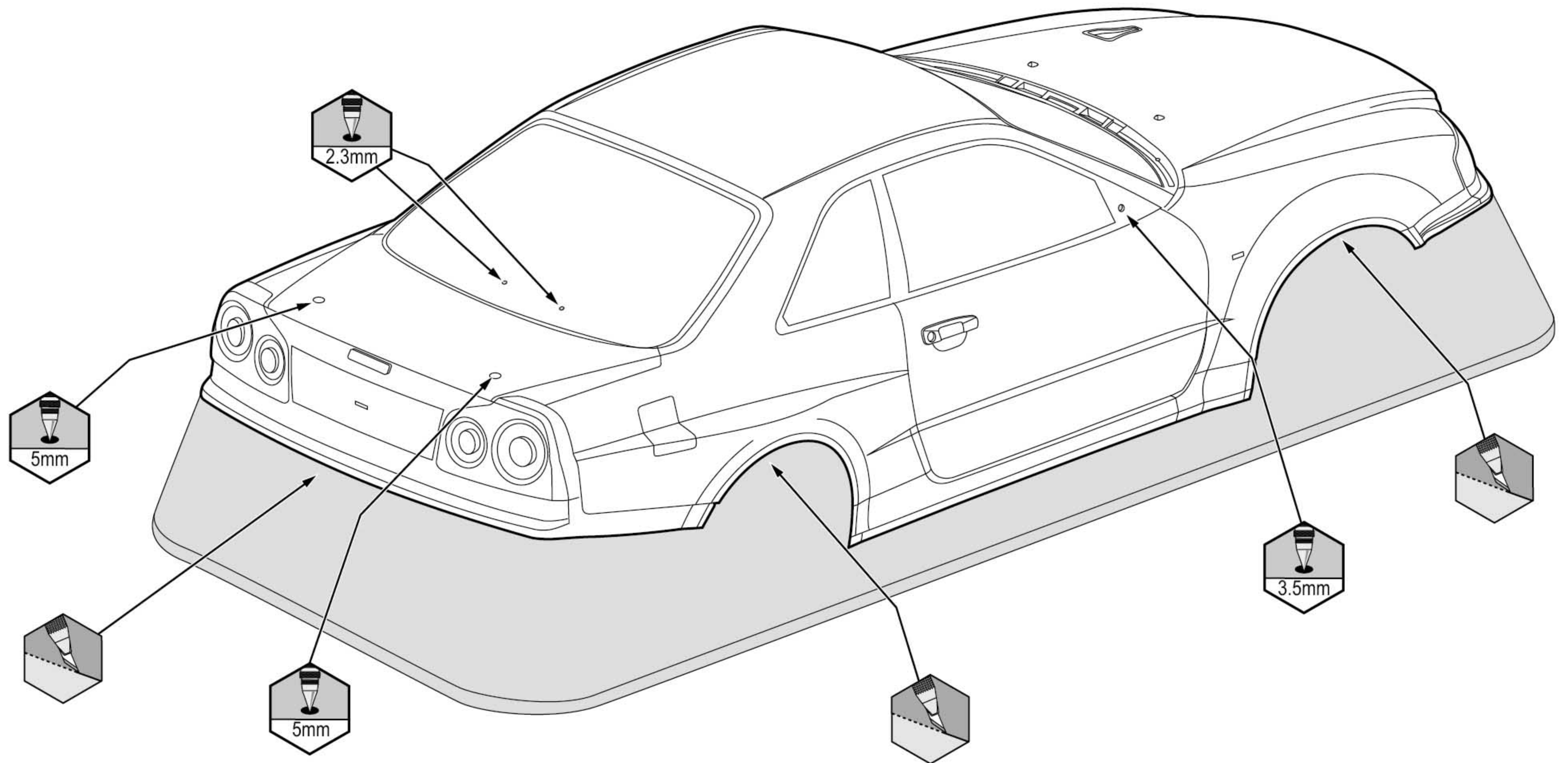


F Chromed parts



1 Cutting





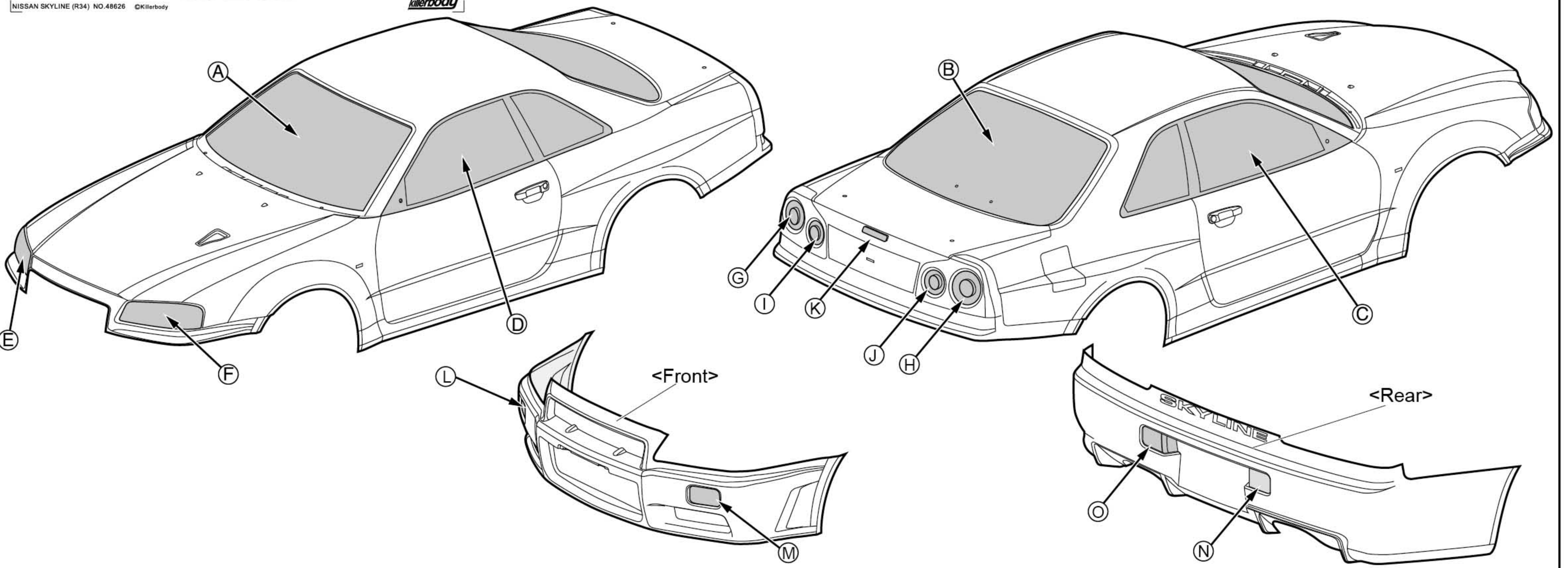
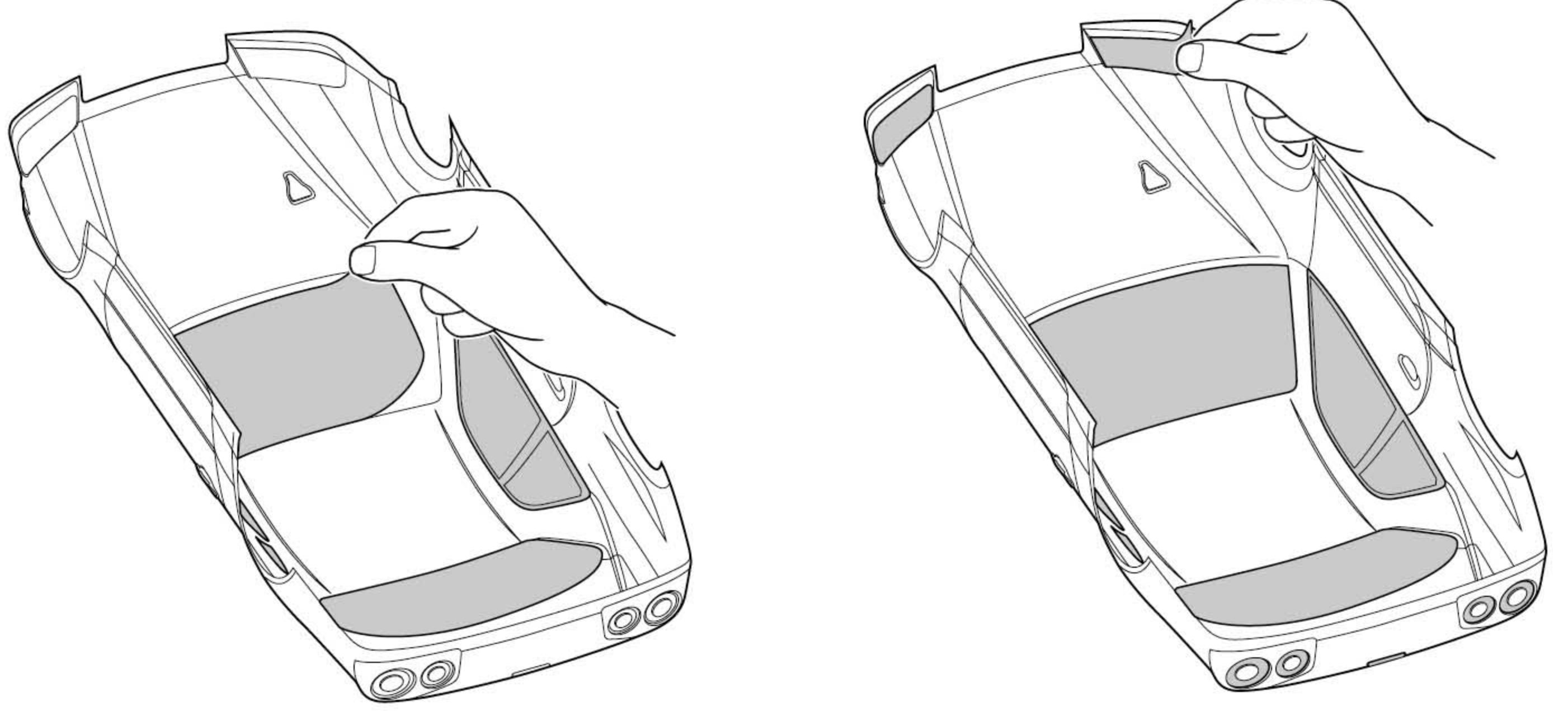
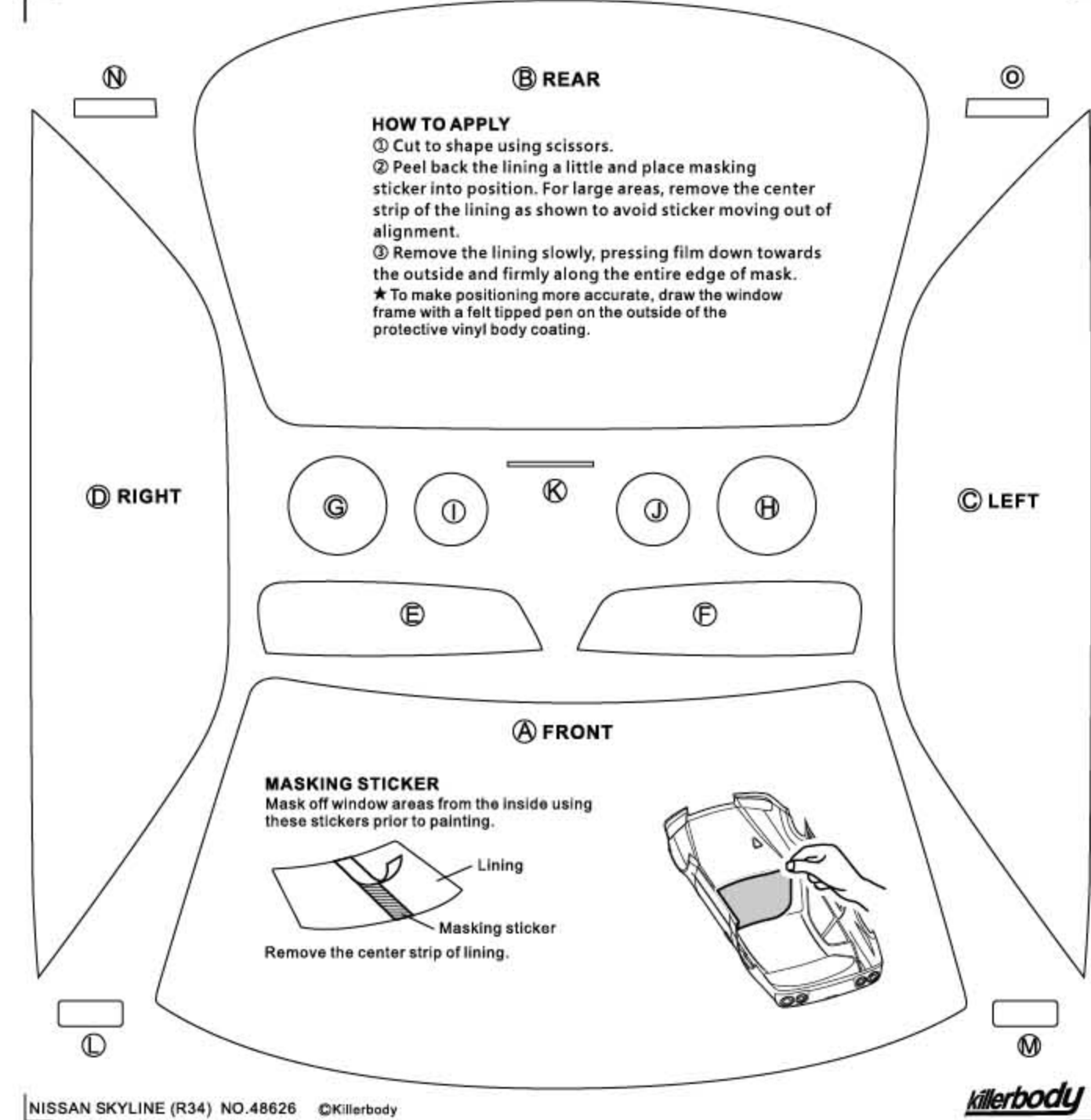
2 Painting

A B C D

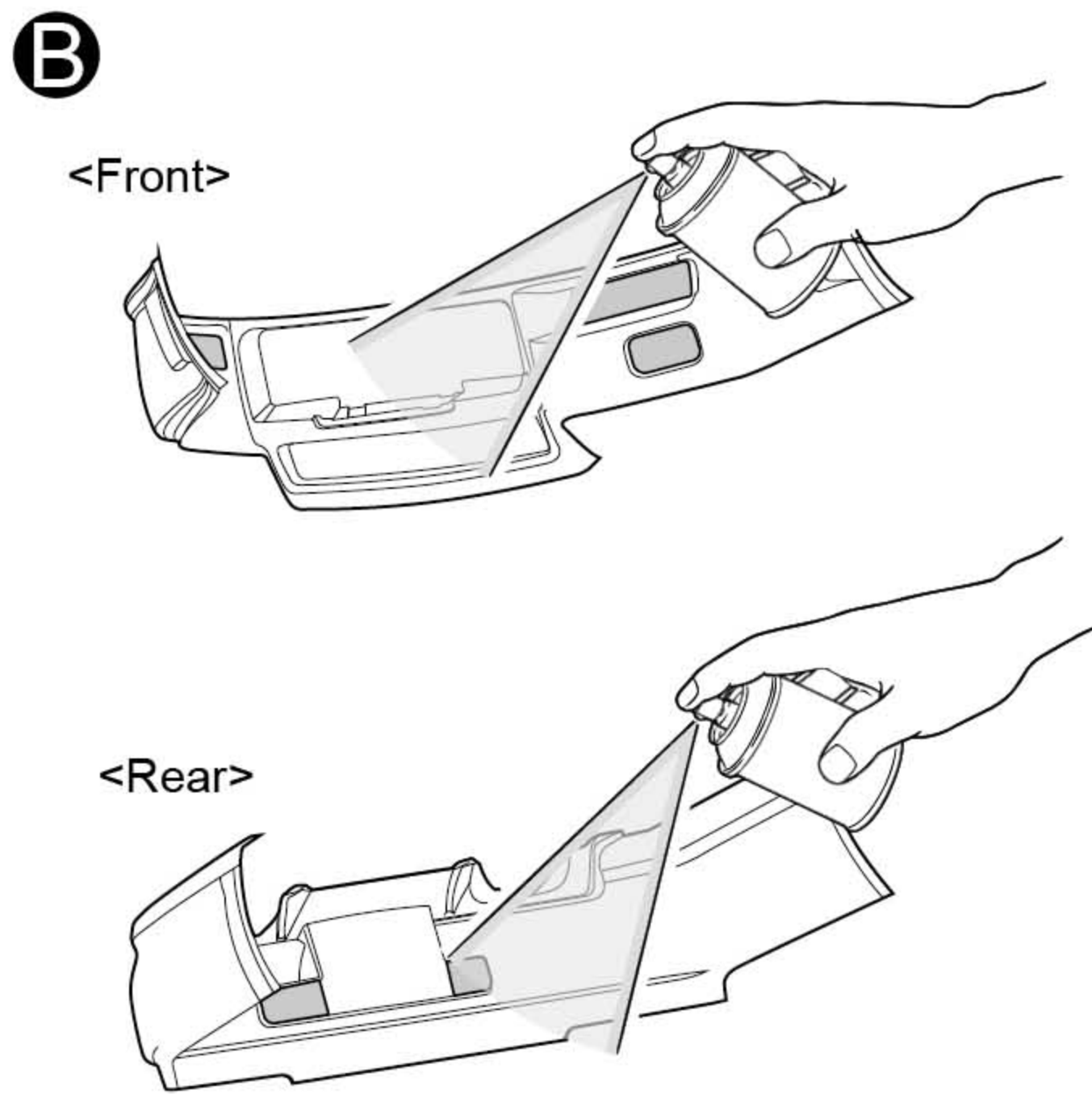
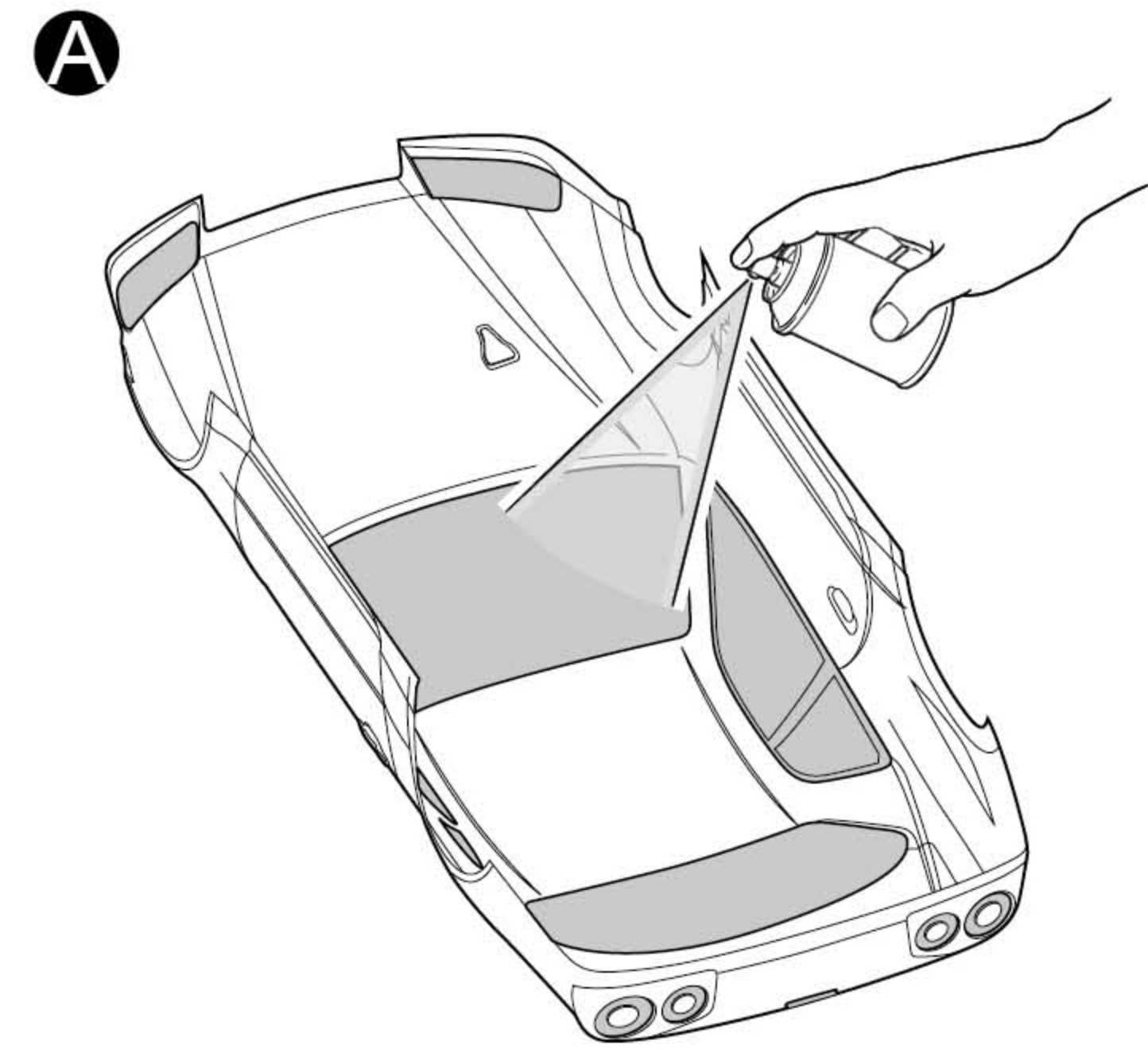
- ❶ Before painting, use a neutral detergent to remove any oil residues and dirt.



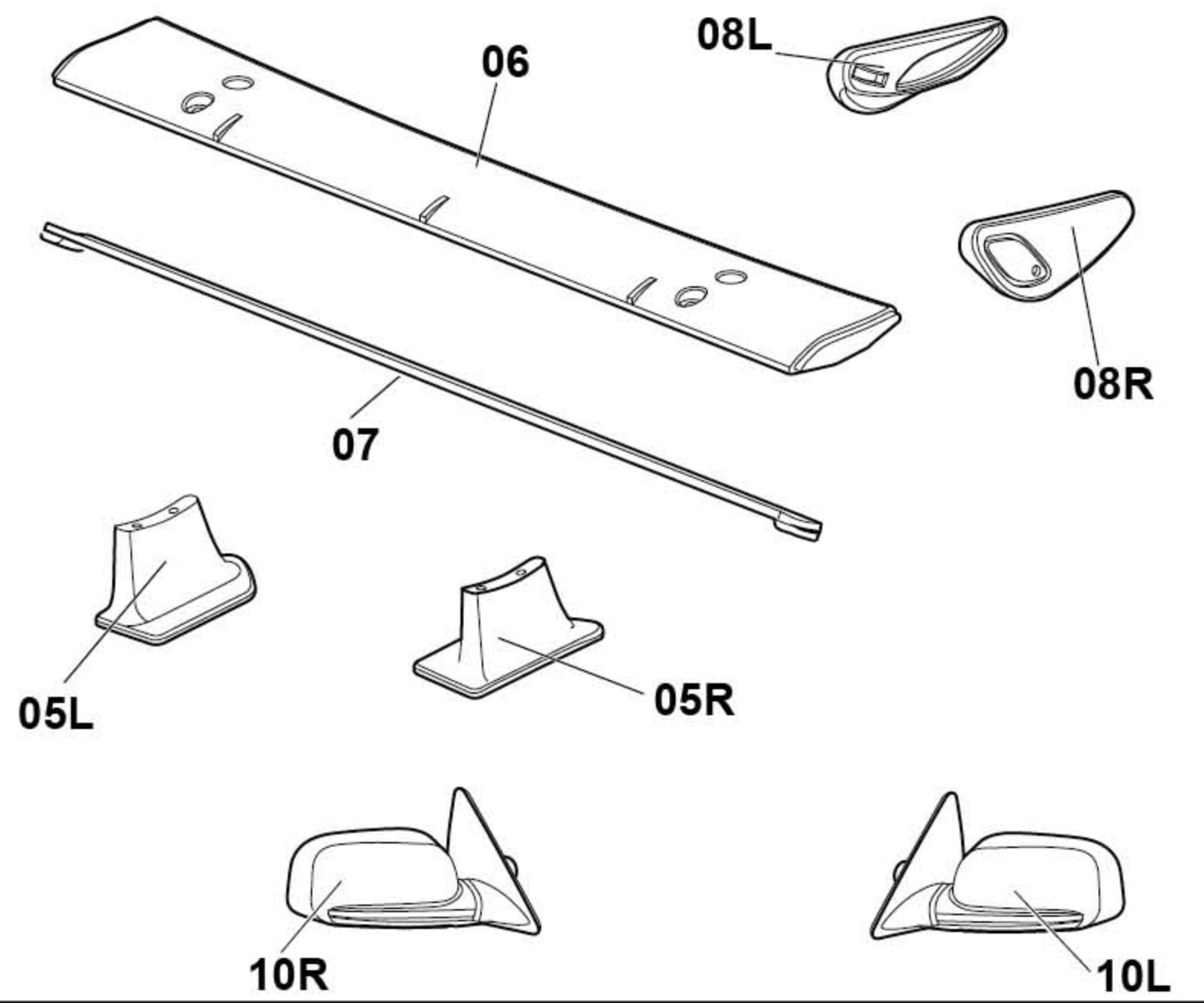
2 Mask the parts from inside.



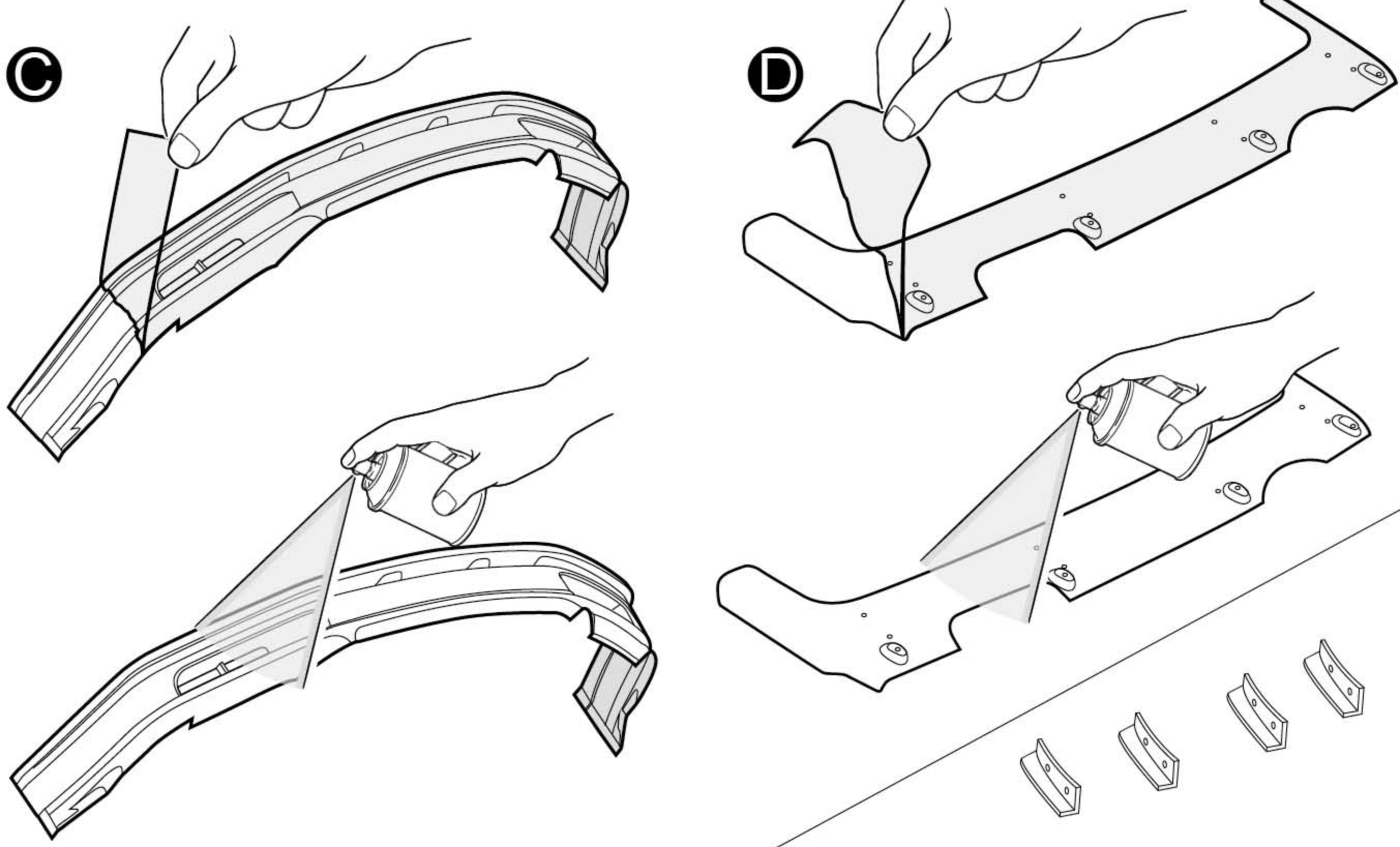
3 Paint A, B from inside.



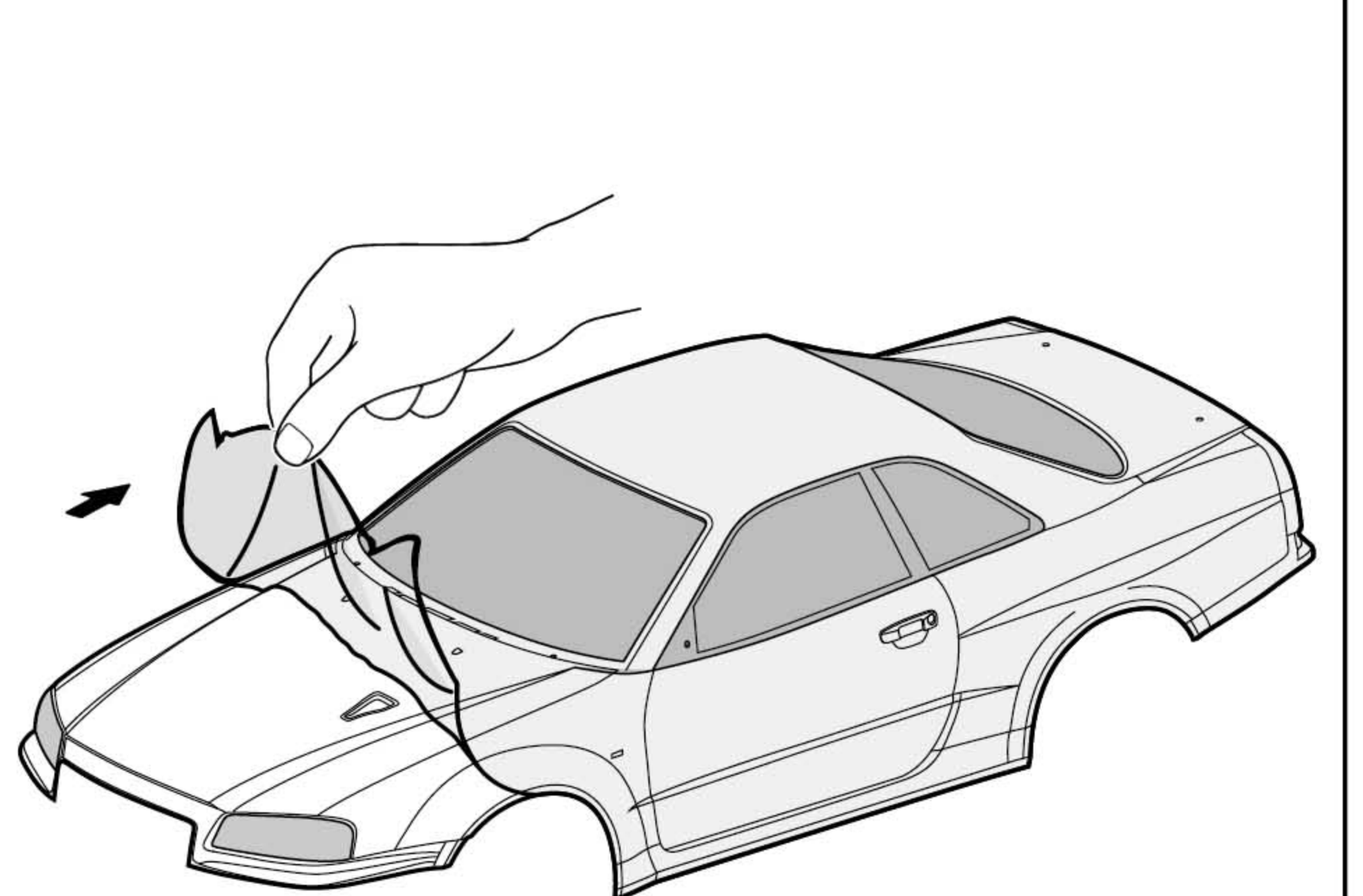
4 Paint rear wing and wing mirror from outside.



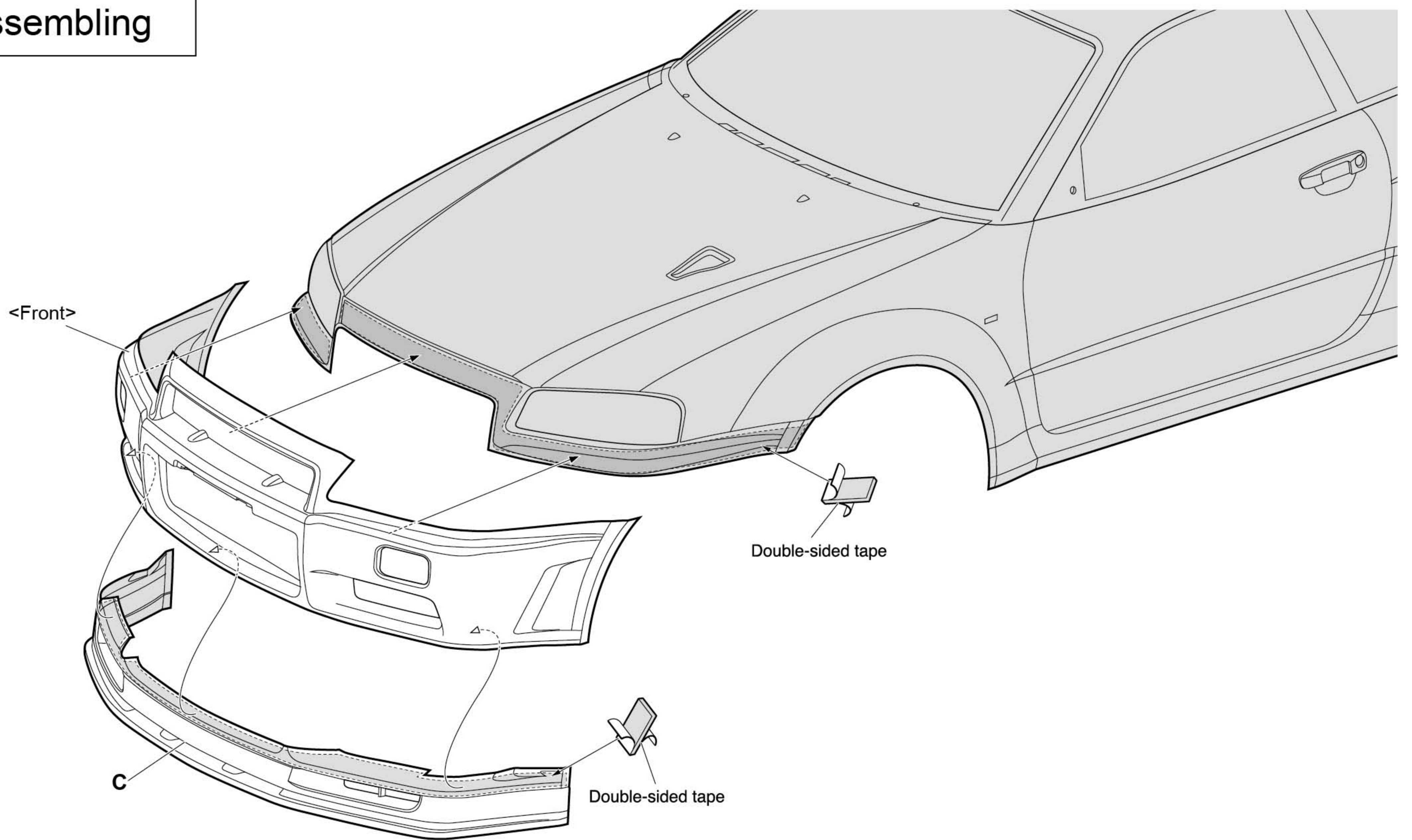
5 Paint C, D from outside with black spray color.



6 Remove the protective film from outside.

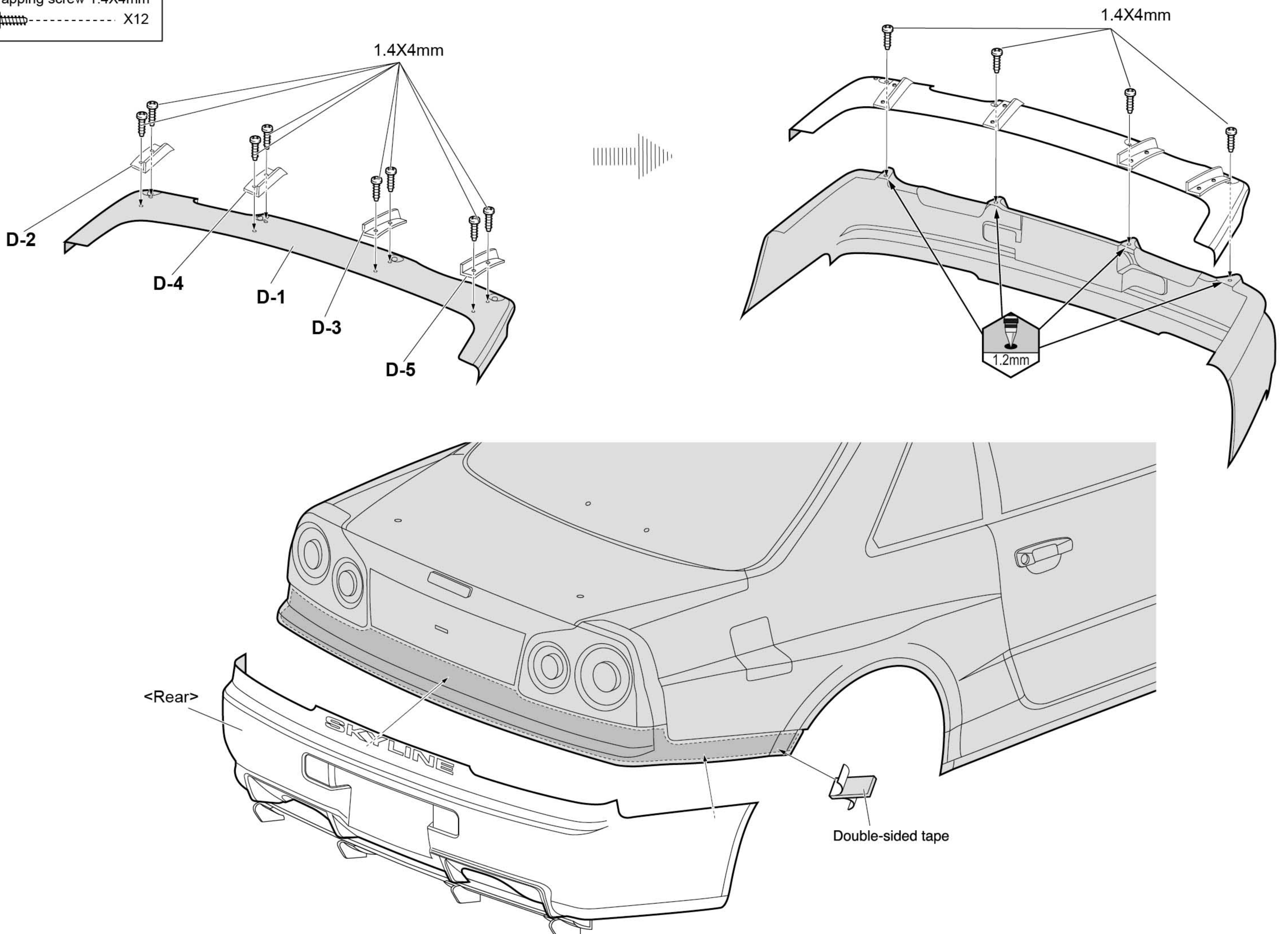


3 Assembling

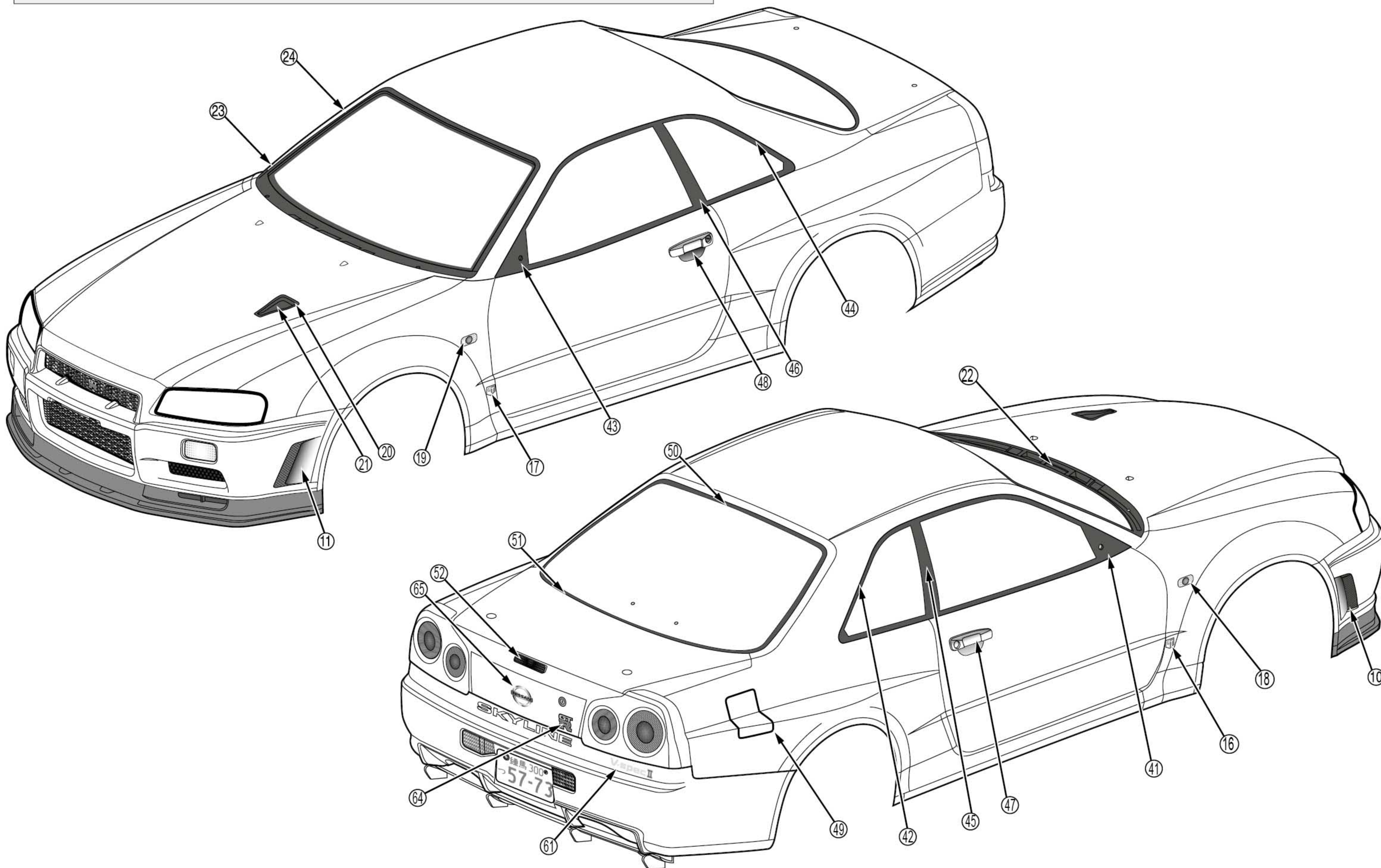
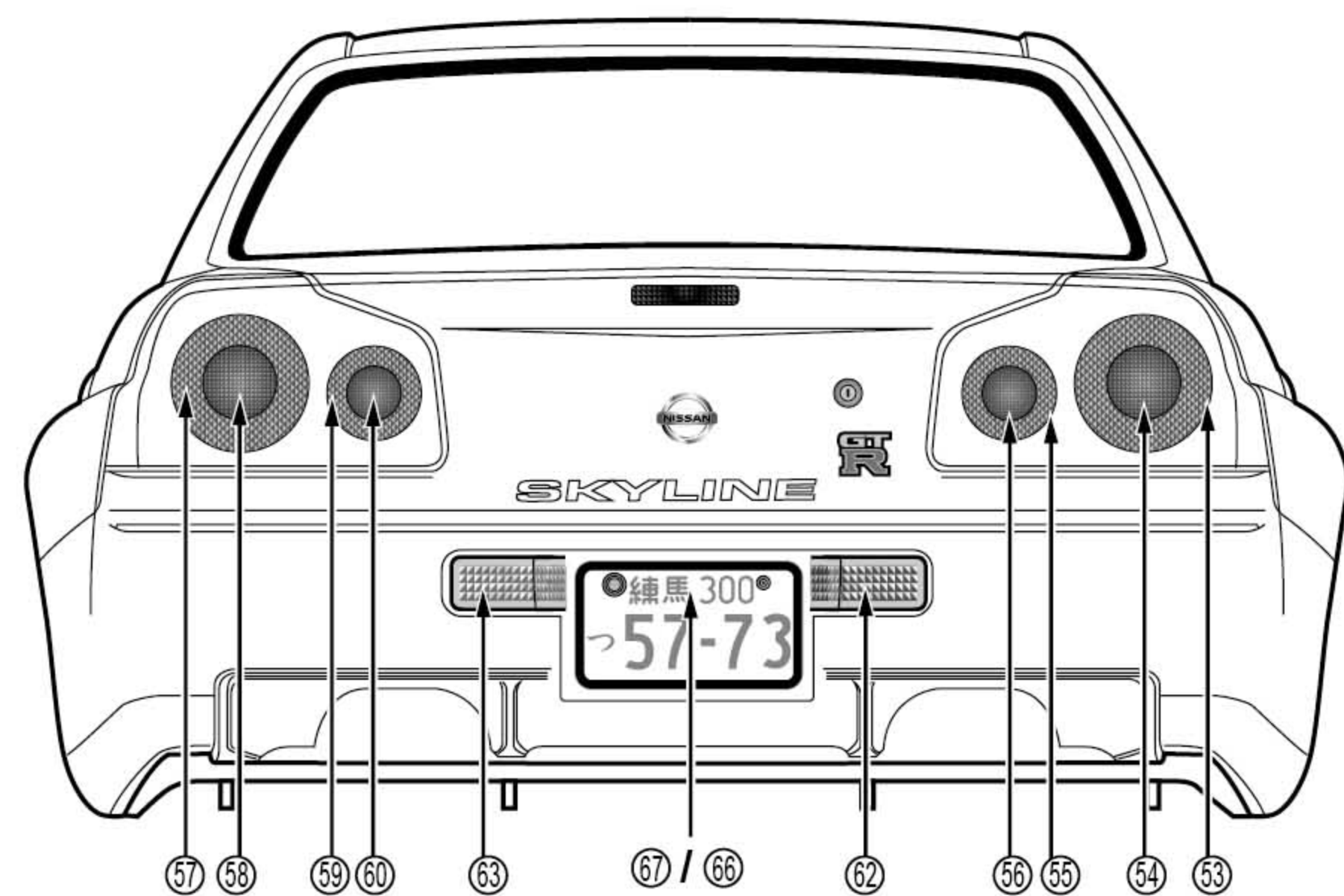
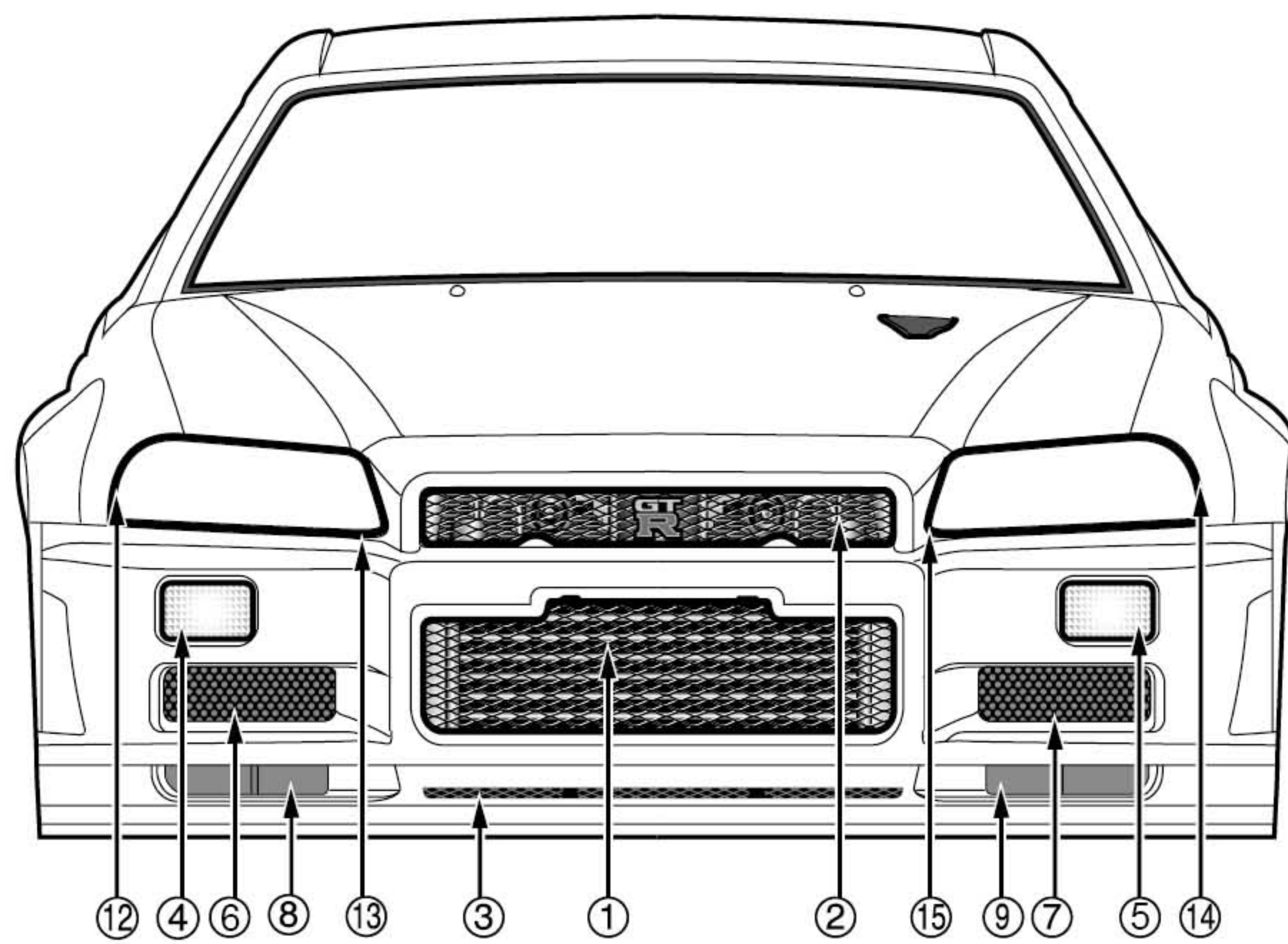
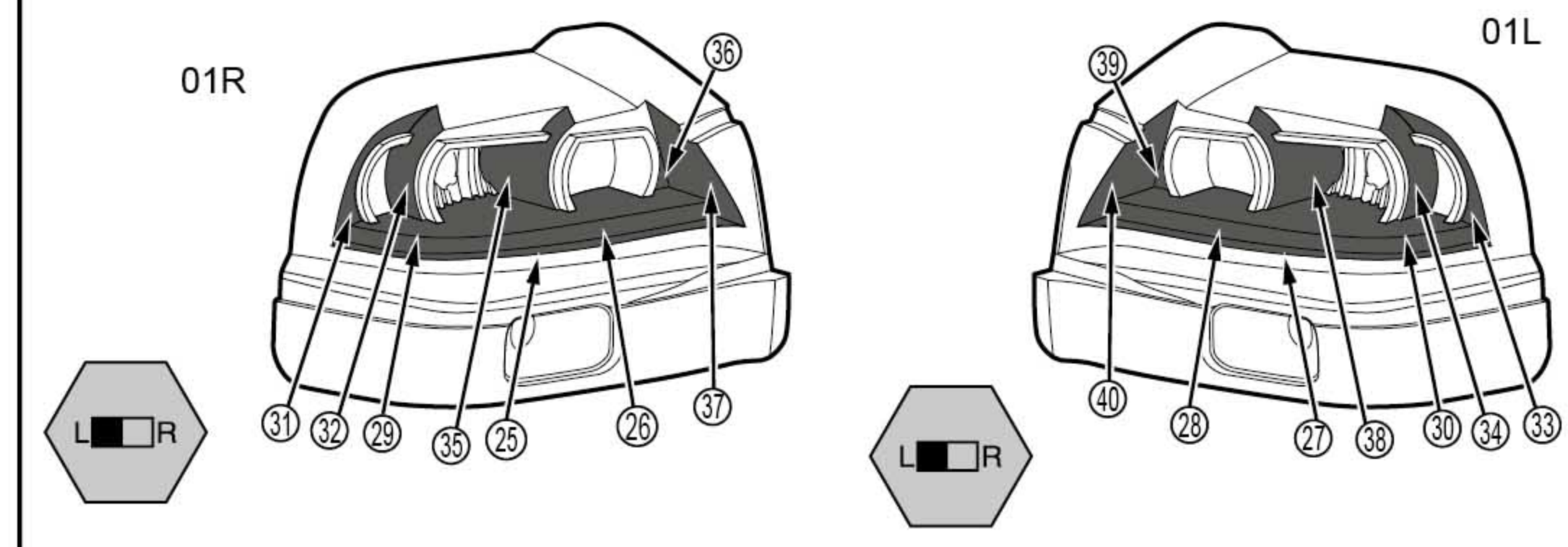
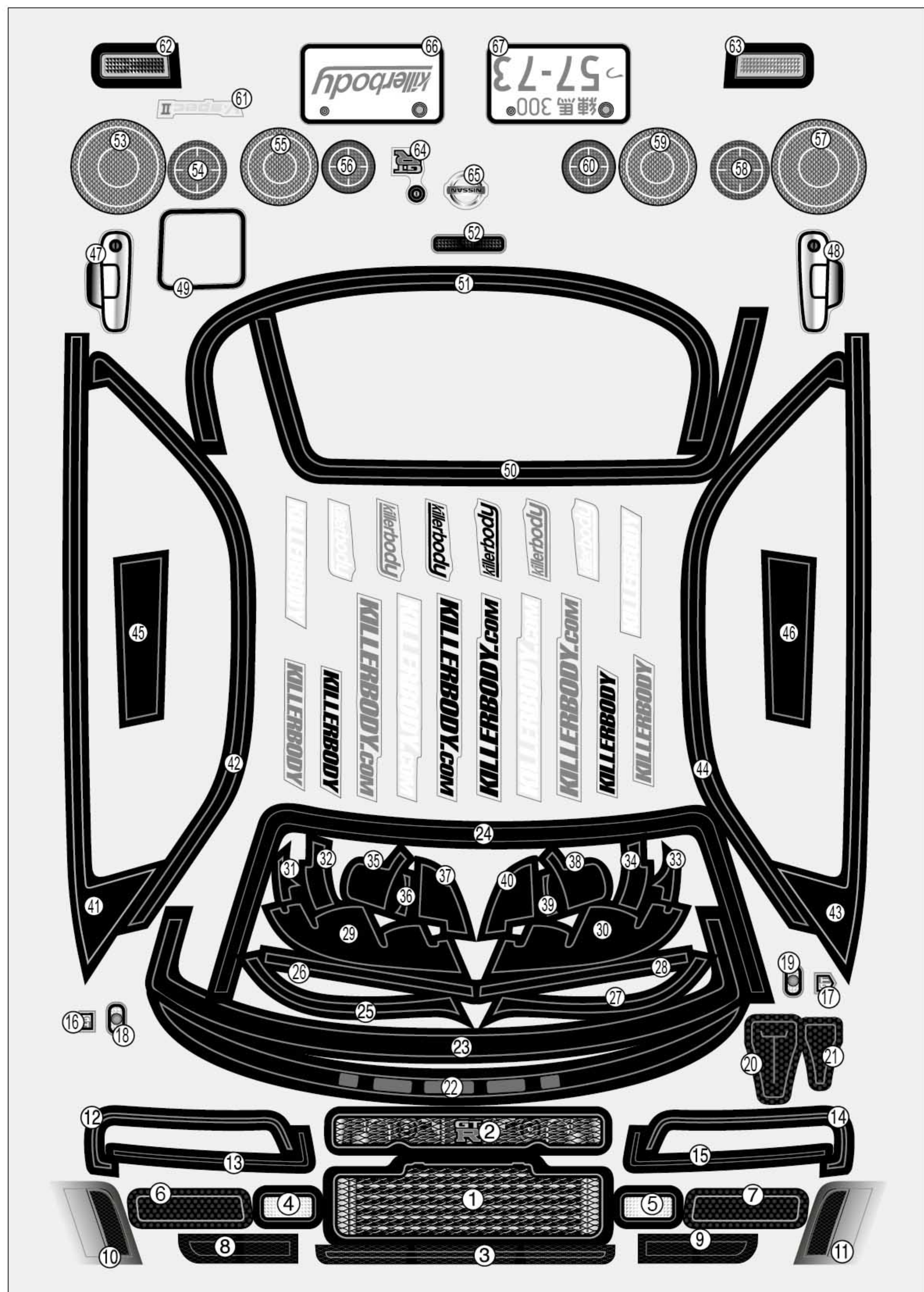


4 Assembling

Tapping screw 1.4X4mm
X12

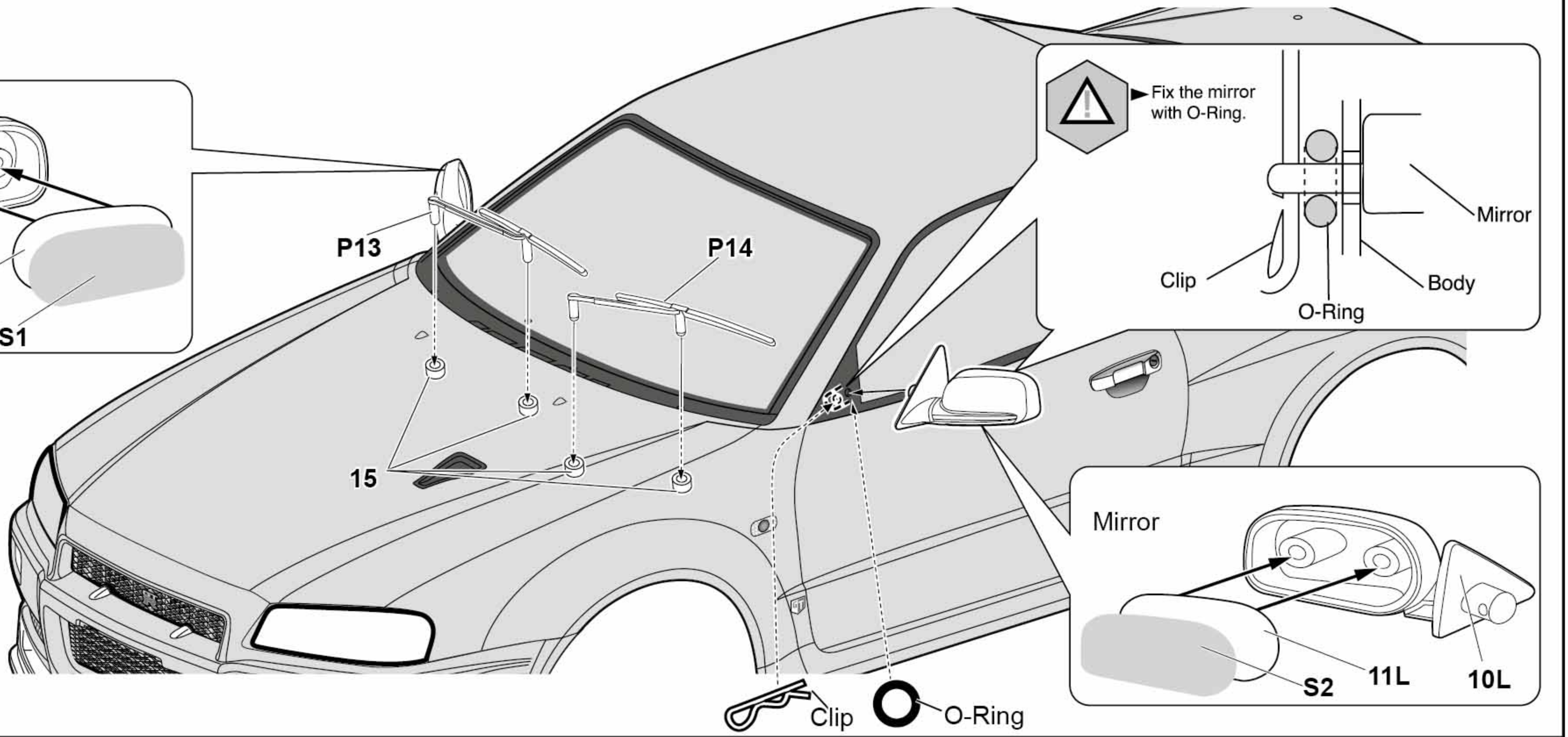
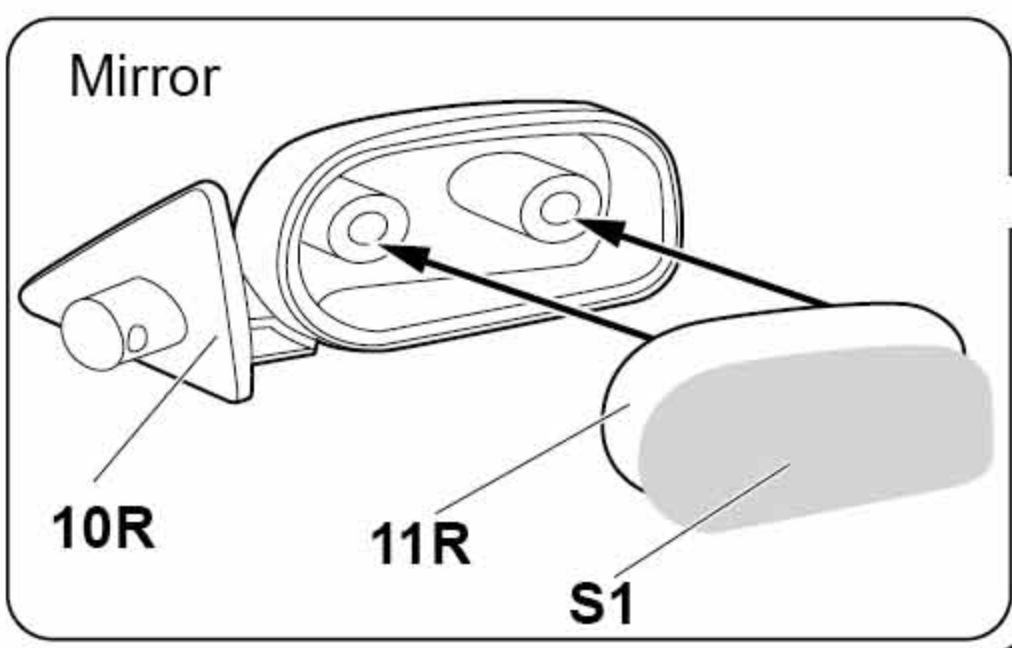


5 Decal



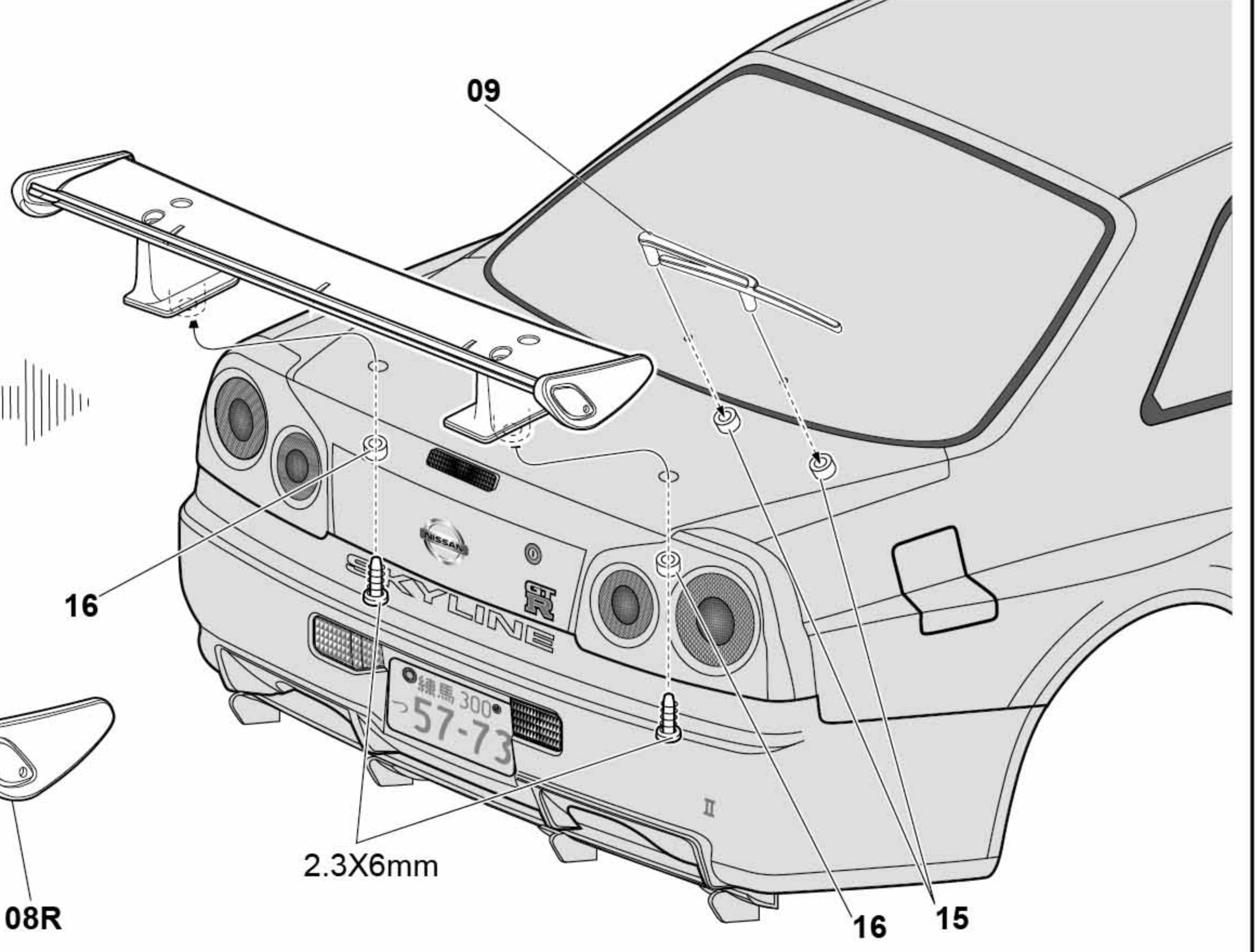
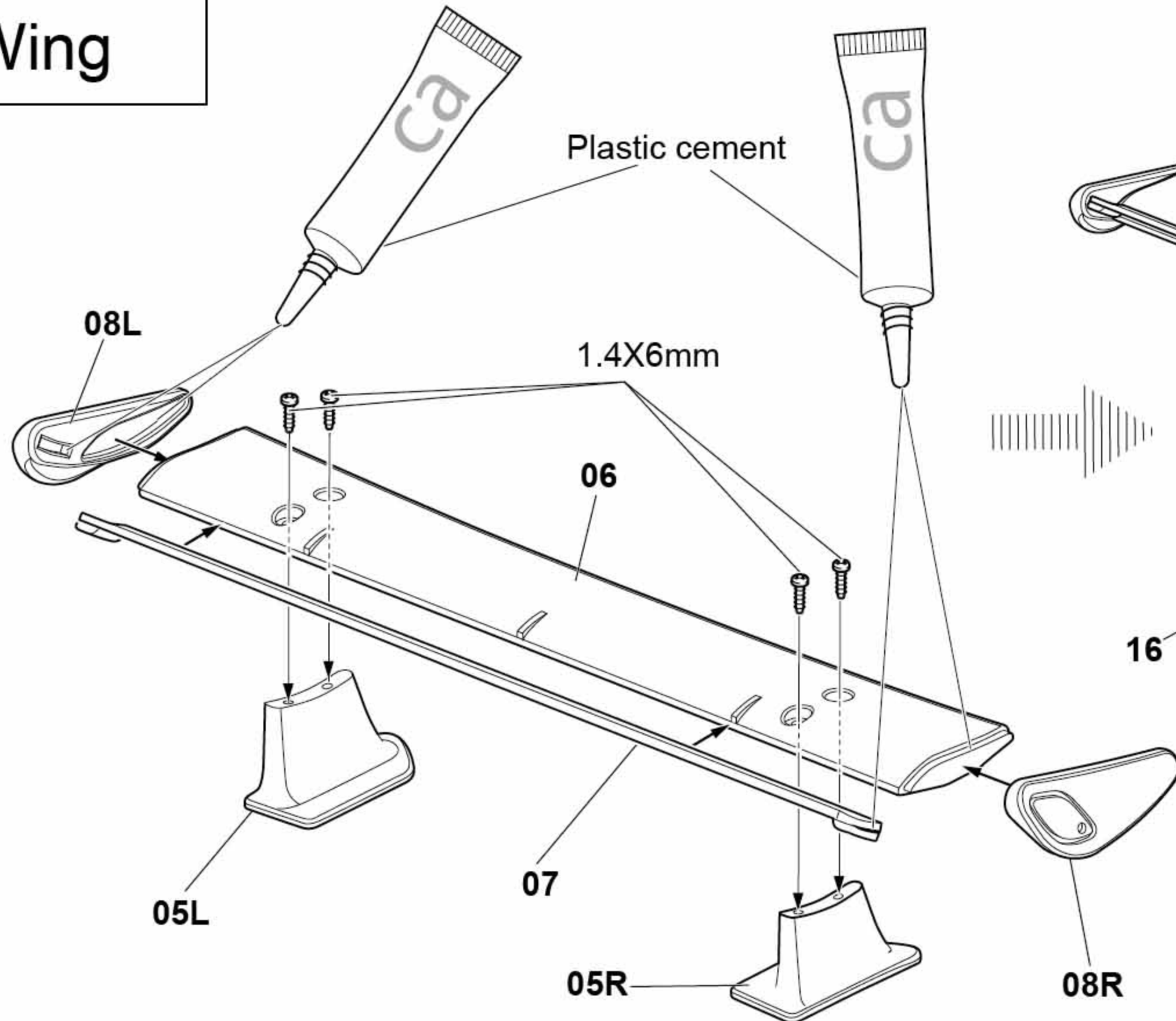
6 Assembling

- Clip -X2
- O-Ring -X2
- Plastic parts (15) -X2



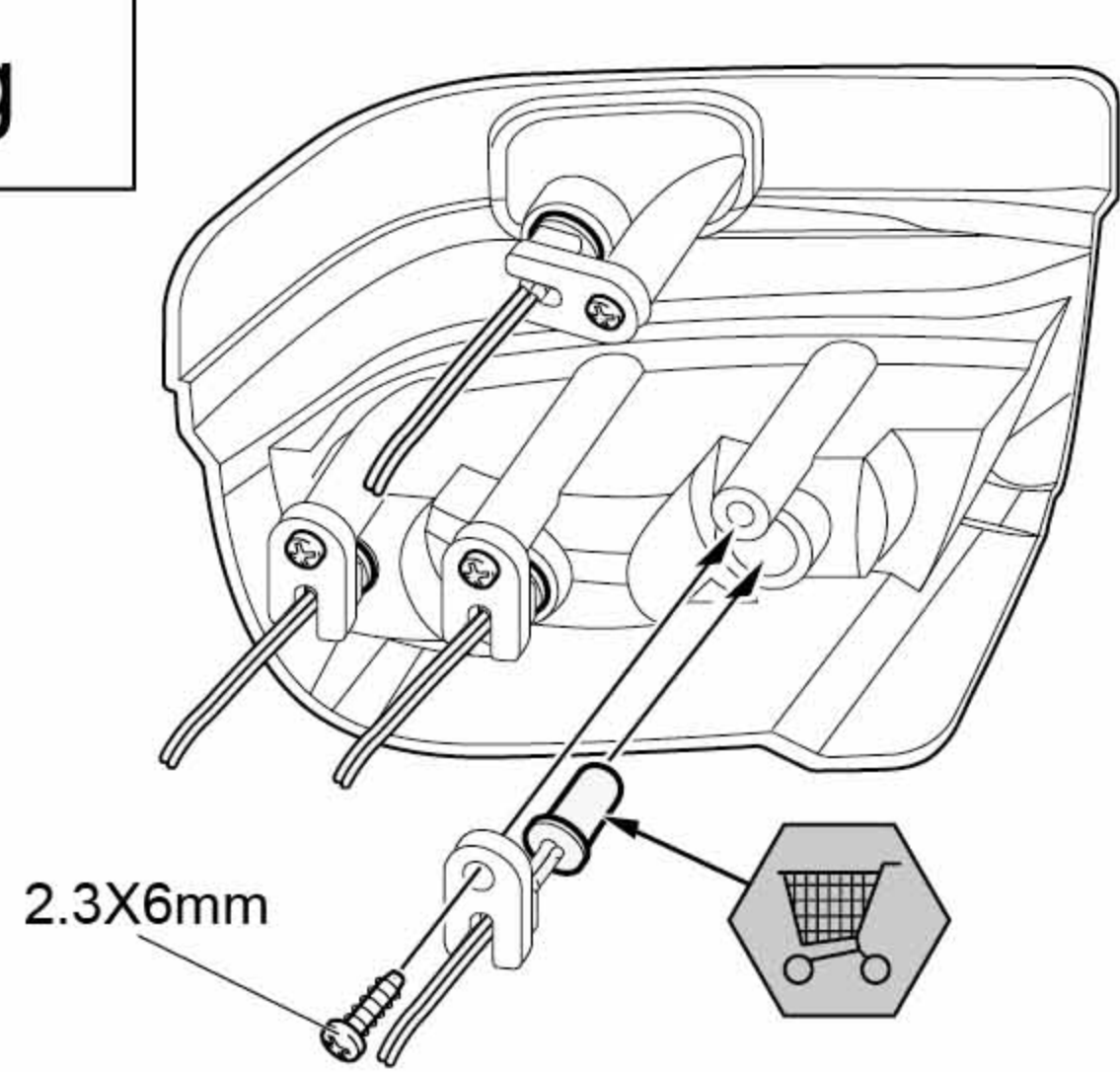
7 Rear Wing

- Screw 2.3X6mm -X2
- Tapping screw 1.4X6mm -X4
- Plastic parts (16) -X2
- Plastic parts (15) -X2



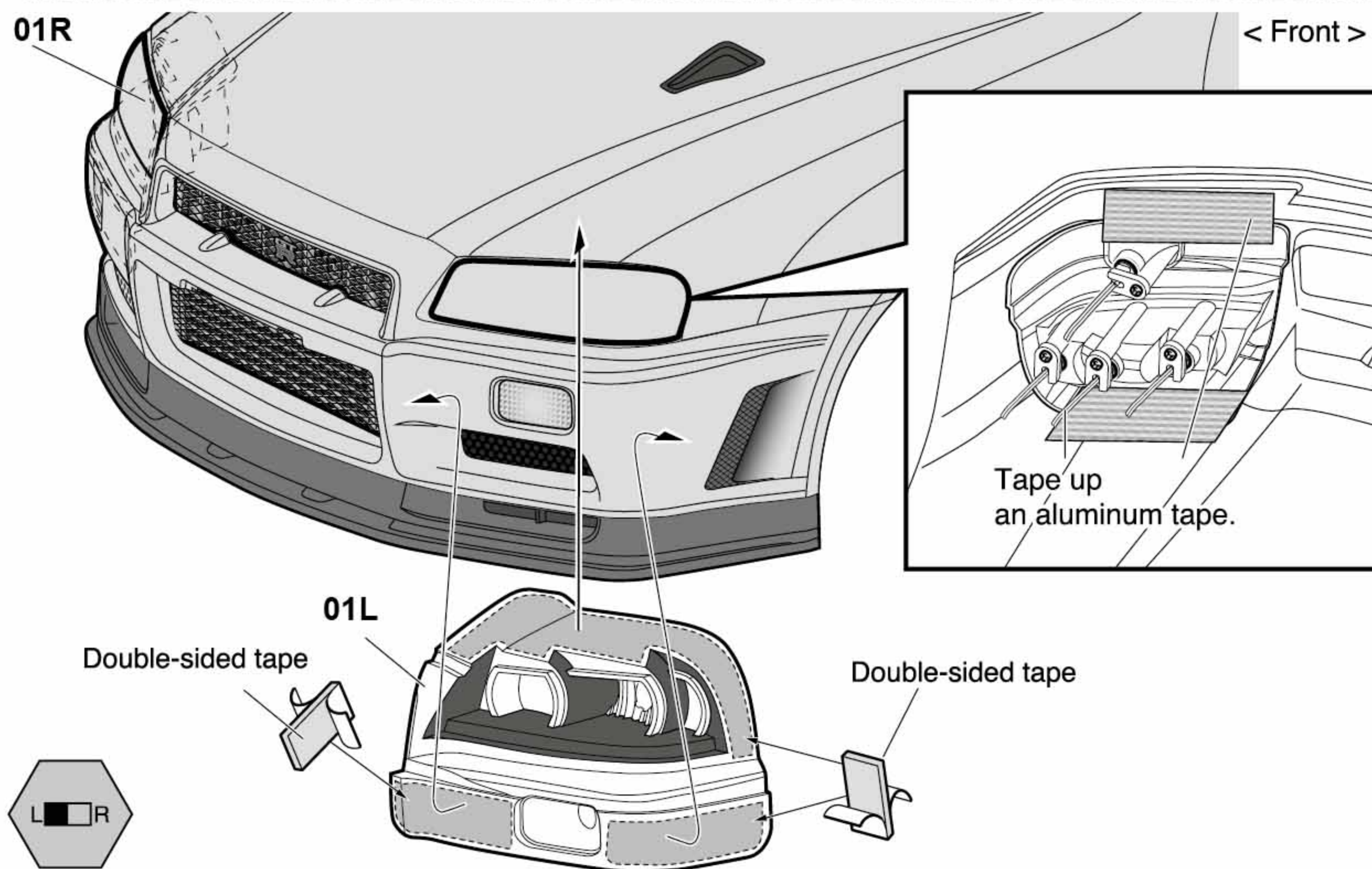
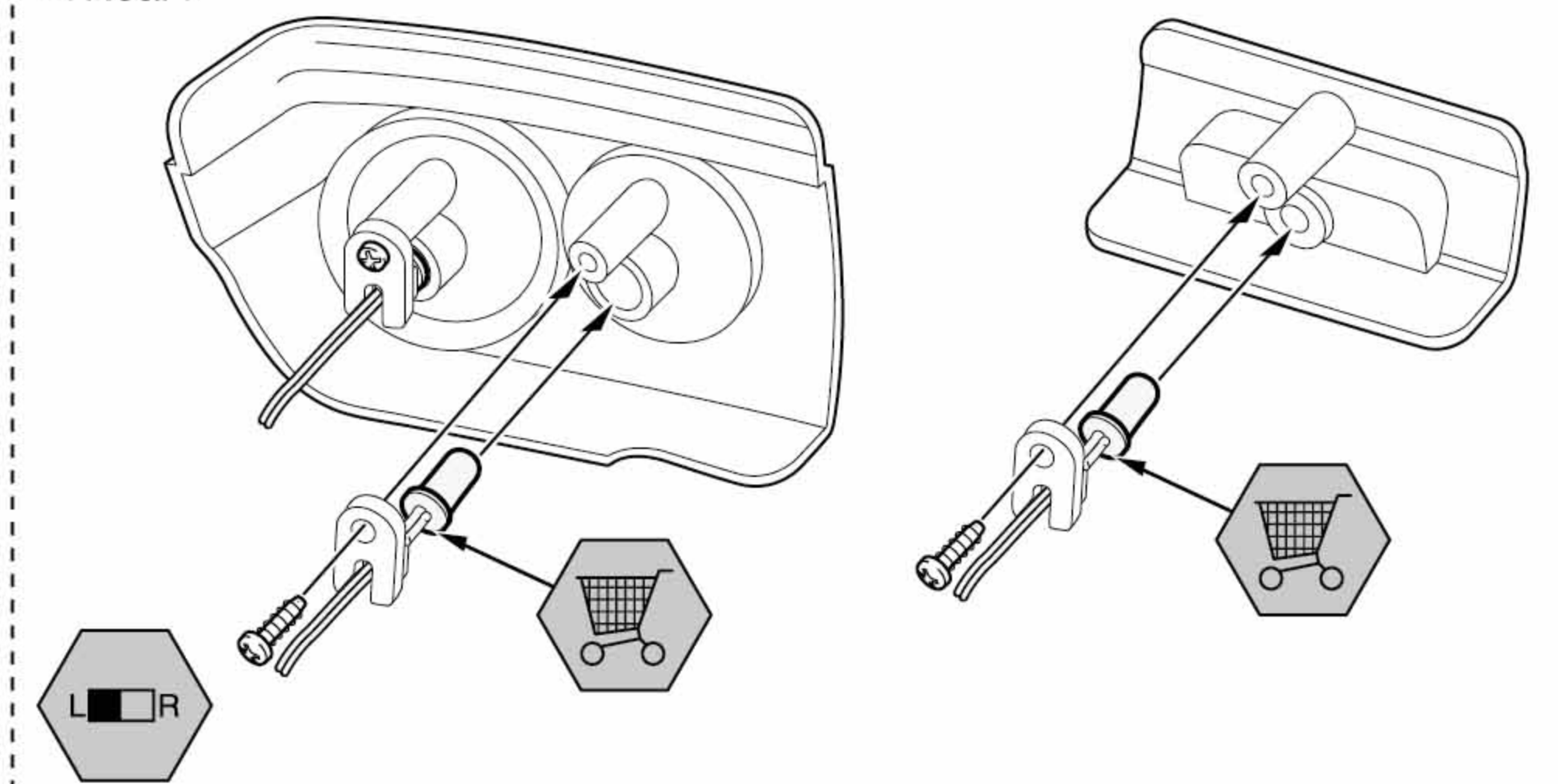
8 Assembling

- Screw 2.3X6mm -X18
- LED stopper -X17



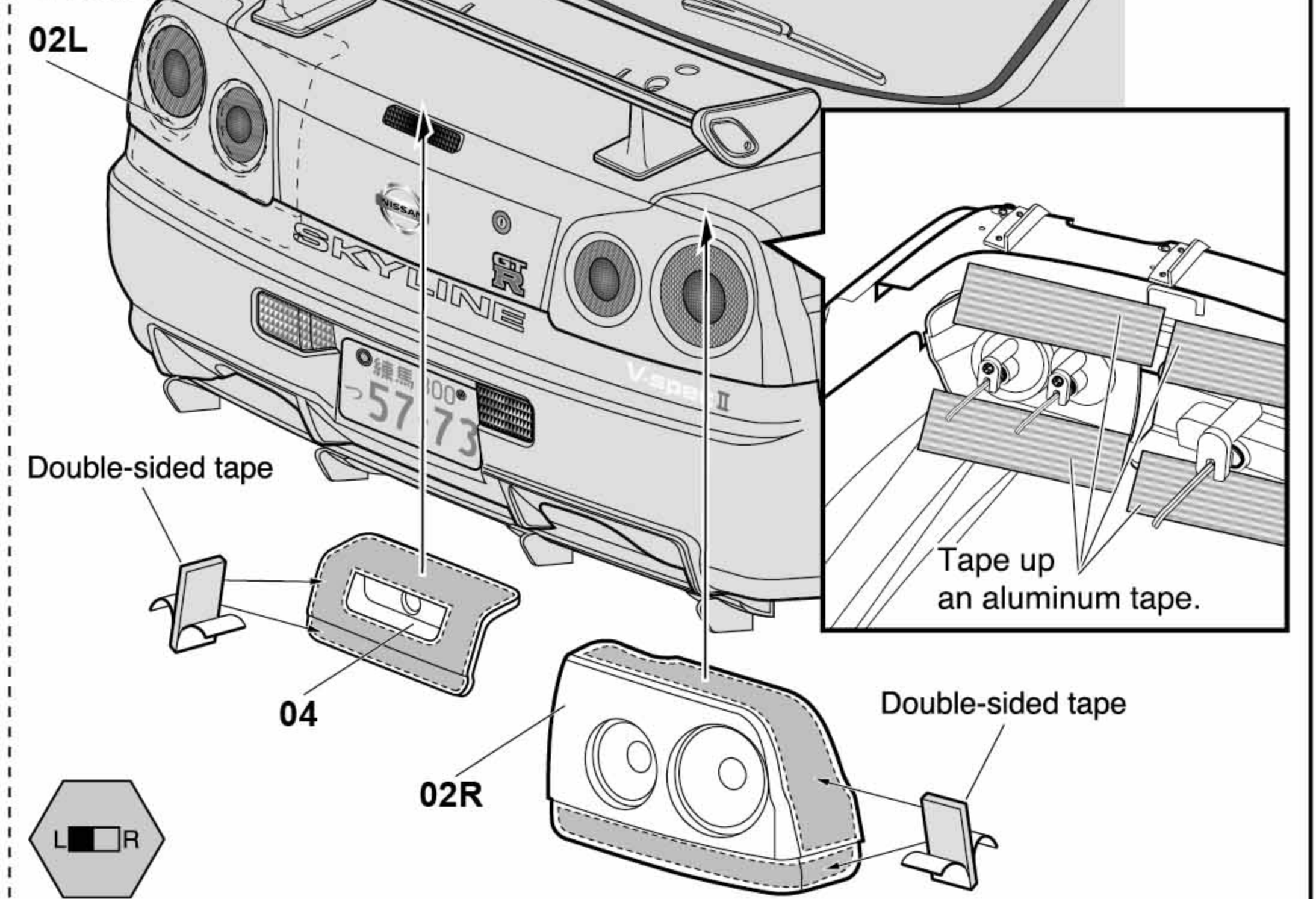
< Front >

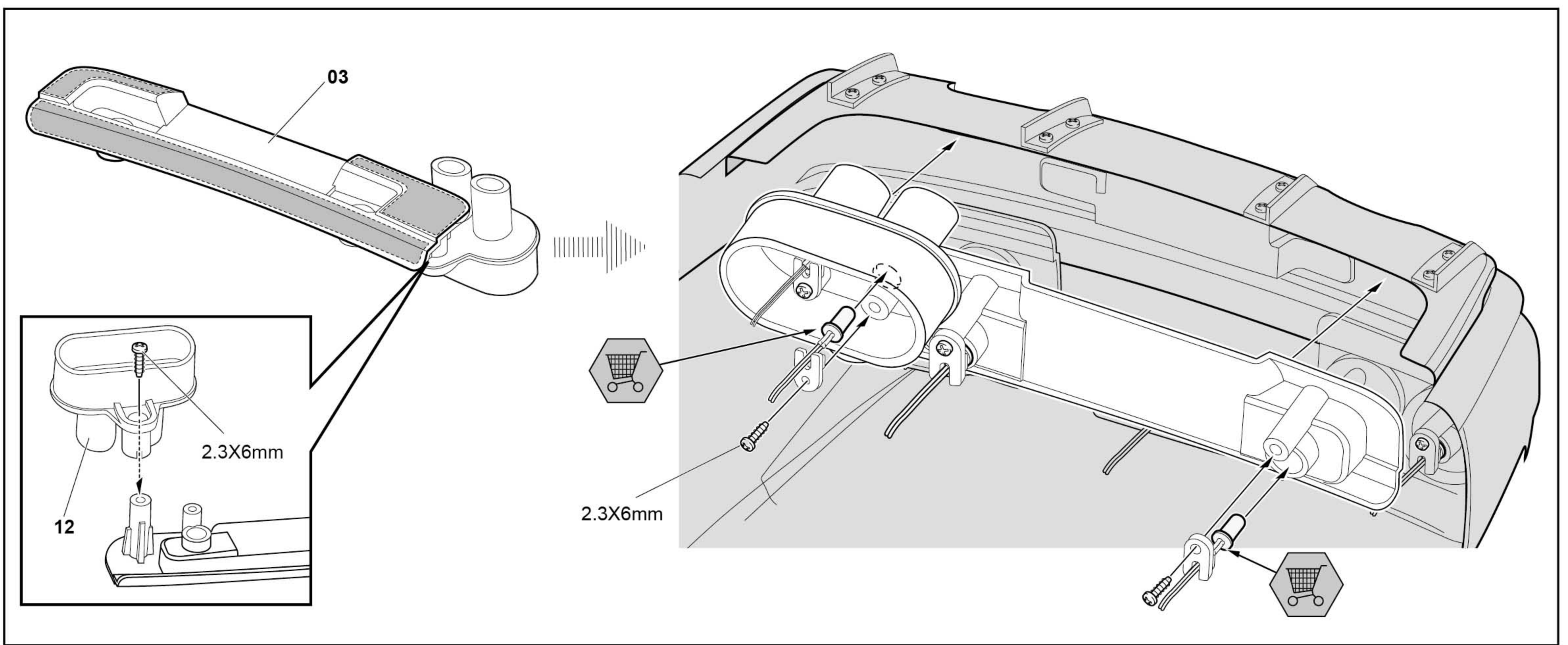
< Rear >




< Front >

< Rear >





9 Finished

 For safety reasons, always fit the body shell when running your car.

