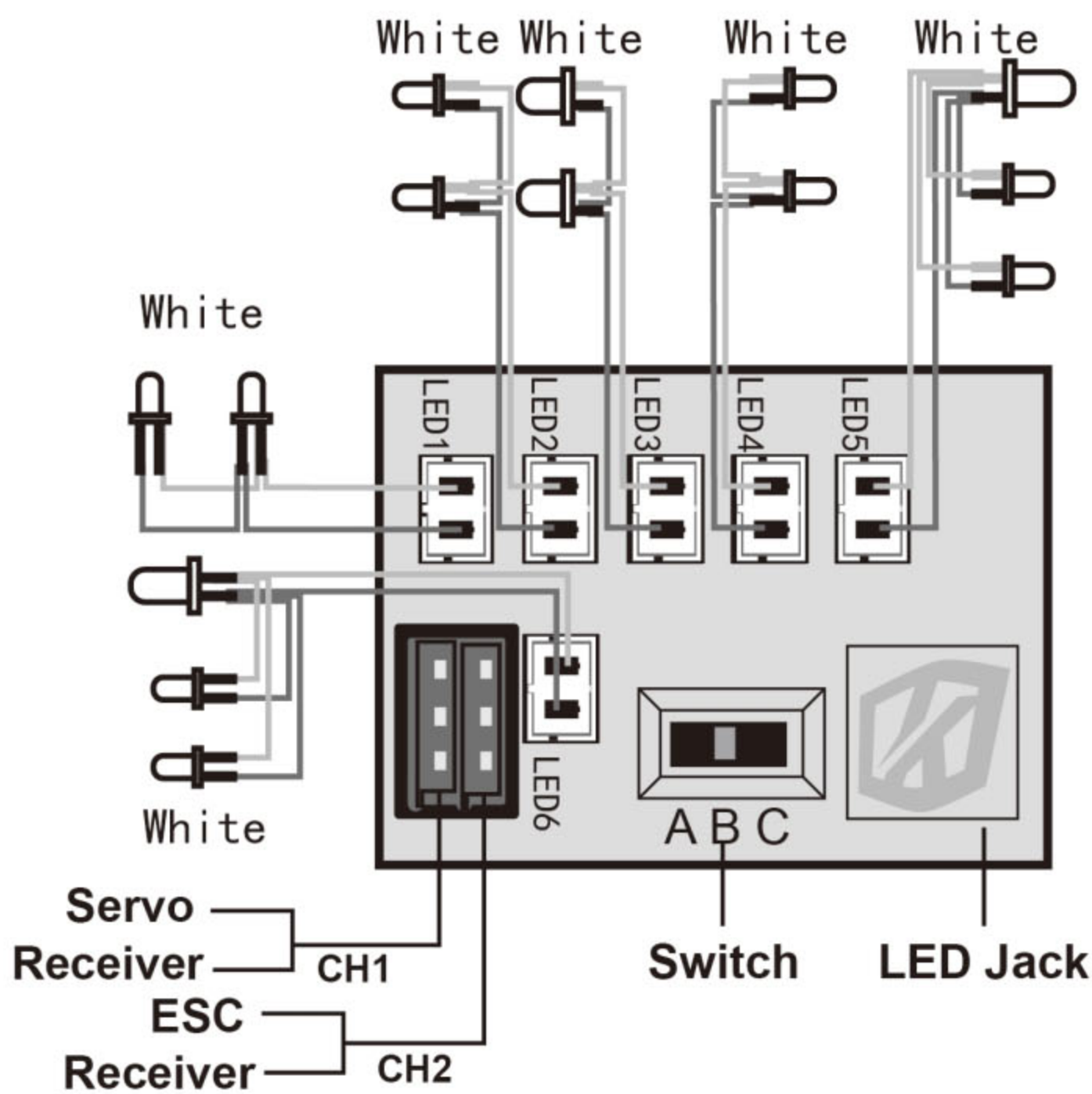


(3mm: 10 LEDS; 5mm: 4 LEDS)

Fit for KB#48601 1/10 Toyota  
Land Cruiser but Cockpit NOT Assembled

### NO. 48625

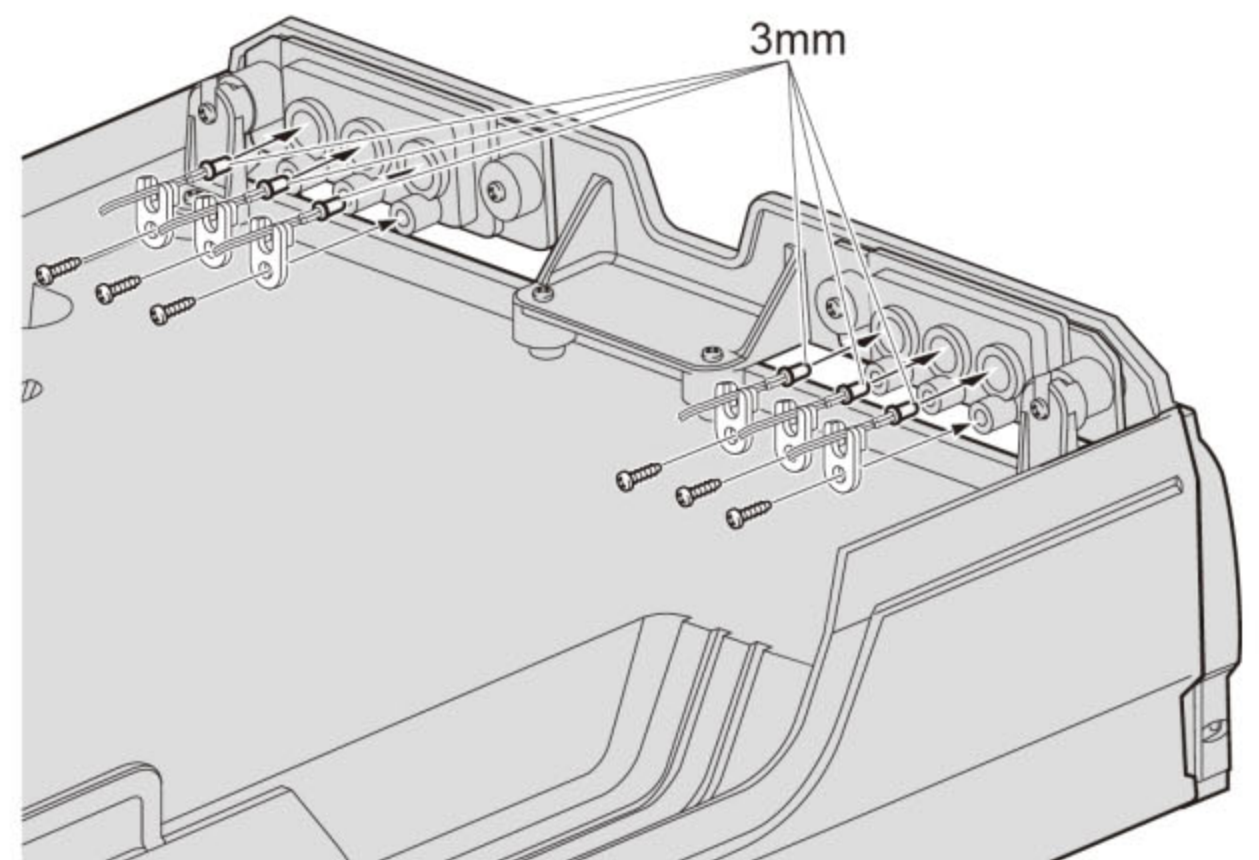
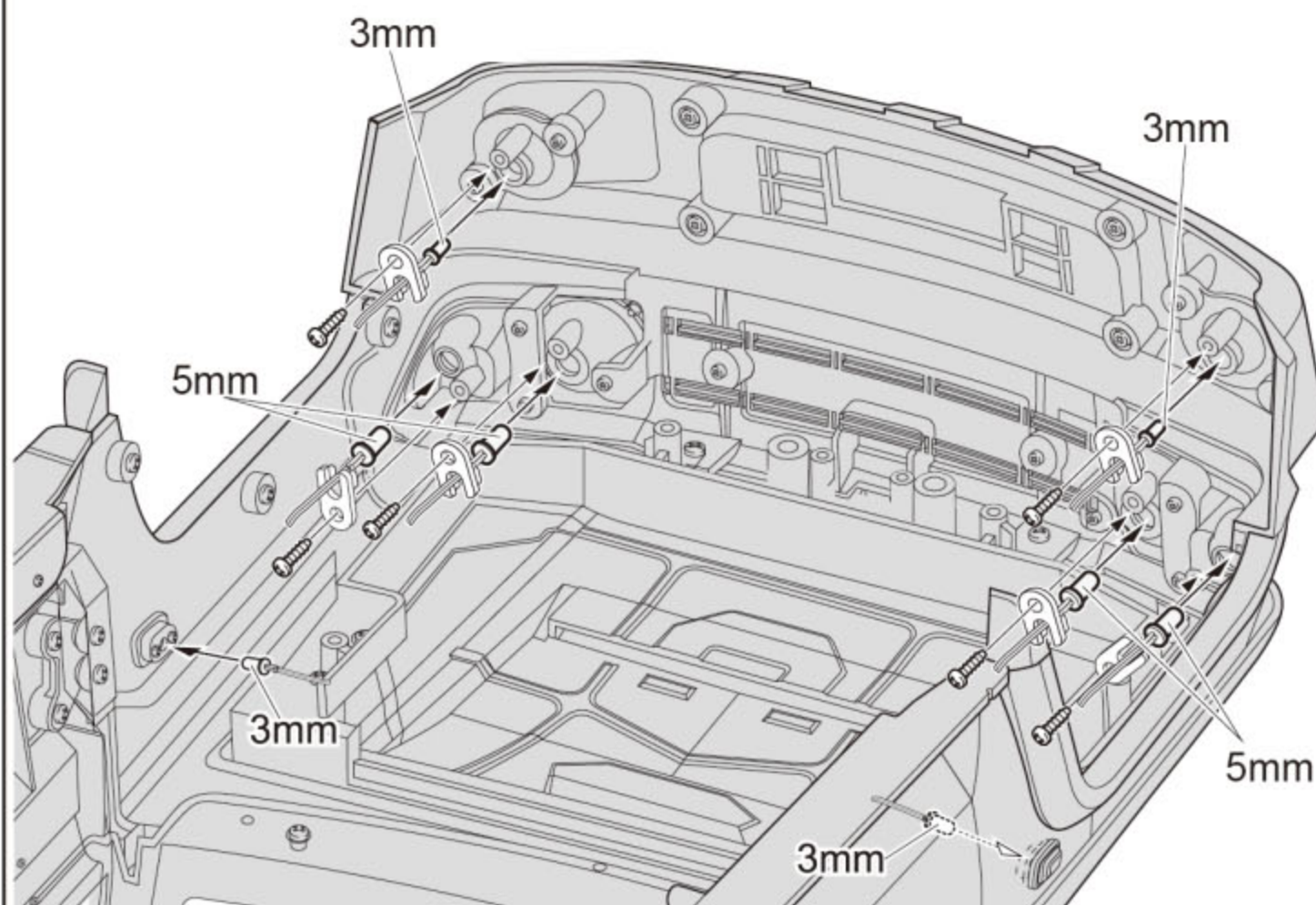
**⚠ Not all the Radio Controller System compatible with this LED control box.**  
Due to limited wire length of the LED lights set, please pre-check proper fixture location before using 3M double-sided tape to fix it. We suggest to fix the LED lights set at the nearest area to the signal receiver which on the bottom of the chassis.



- 1) All lights will light up dimly when power connected.
- 2) All lights will flash when turn on the switch to B.
- 3) All lights will stop flashing when received any signals.
- 4) All lights will flash again when stop control for over 15 seconds.
- 5) LED 1 (2 white lights: 3mm) will light up when received backward signal.
- 6) LED 2 (2 white lights: 3mm) will light up when received backward signal.
- 7) LED 3 (2 white lights: 5mm) will light up when received forward signal.
- 8) LED 4 (2 white lights: 3mm) will light up when received forward signal.
- 9) LED 5 (1 white light: 5mm; 2 white lights: 3mm) will flash when received left turn signal.
- 10) LED 6 (1 white light: 5mm; 2 white lights: 3mm) will flash when received right turn signal.

## 1 Assembling

NO.48063 LED stopper





## 2 Wires Distribution

