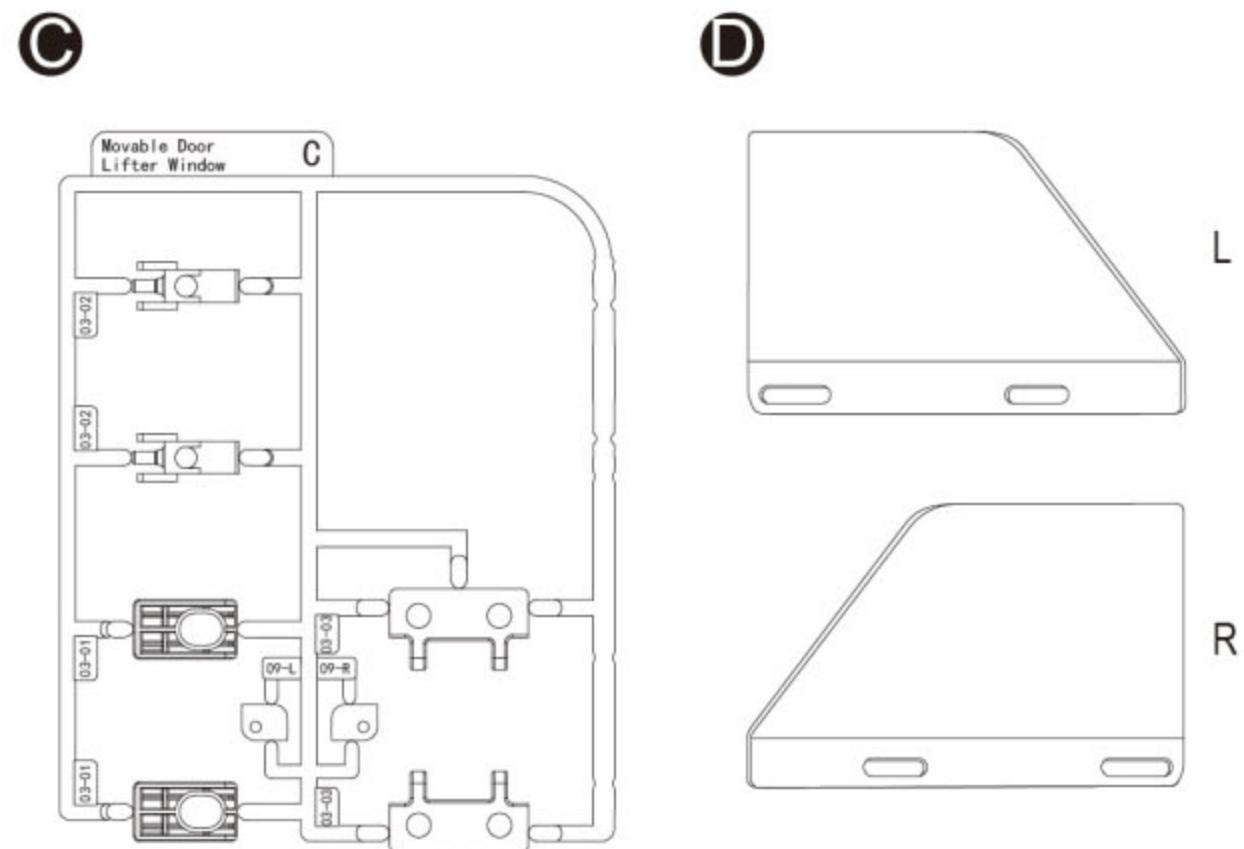
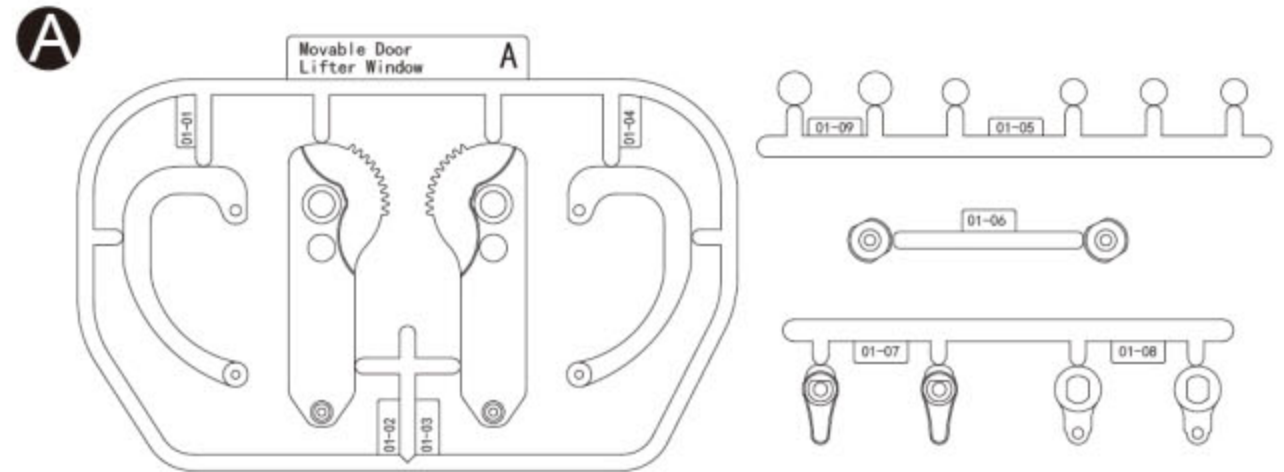
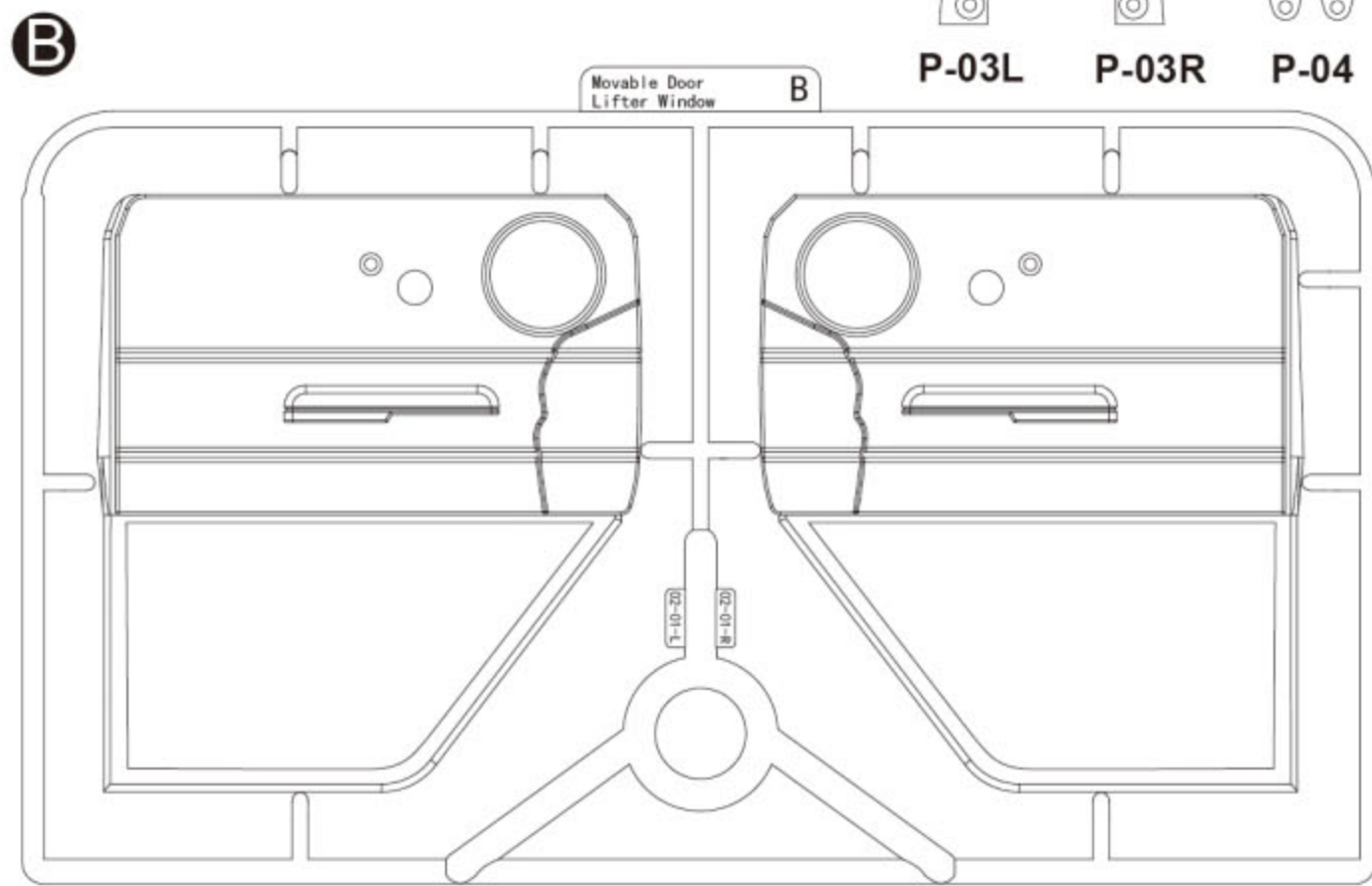
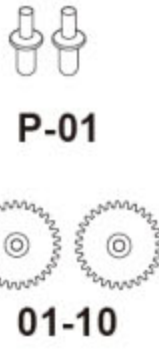


PARTS

- Screw 2.3X4mm-----X6
- Screw 2.3X6mm-----X14
- Flange screw 2.3X4X5mm----X2
- Screw M3X8mm-----X2
- Screw M3X5mm-----X4
- Nut 5.5X5mm-----X2
- Rivet T06-----X8
- Spring-----X4



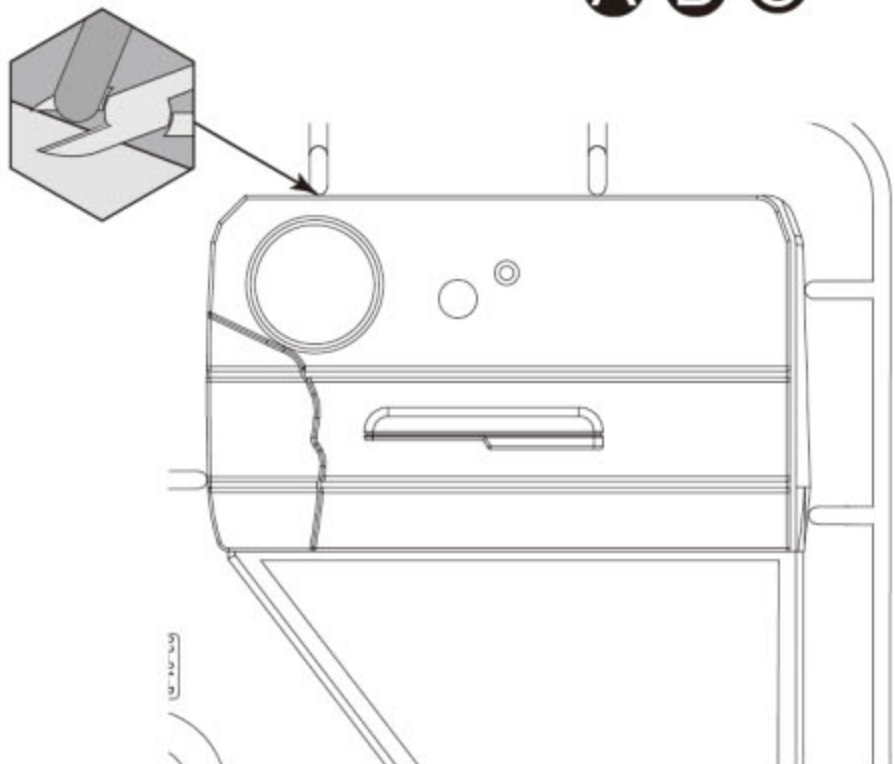
1 Cleaning

Use a neutral detergent to remove any oil residues and dirt.

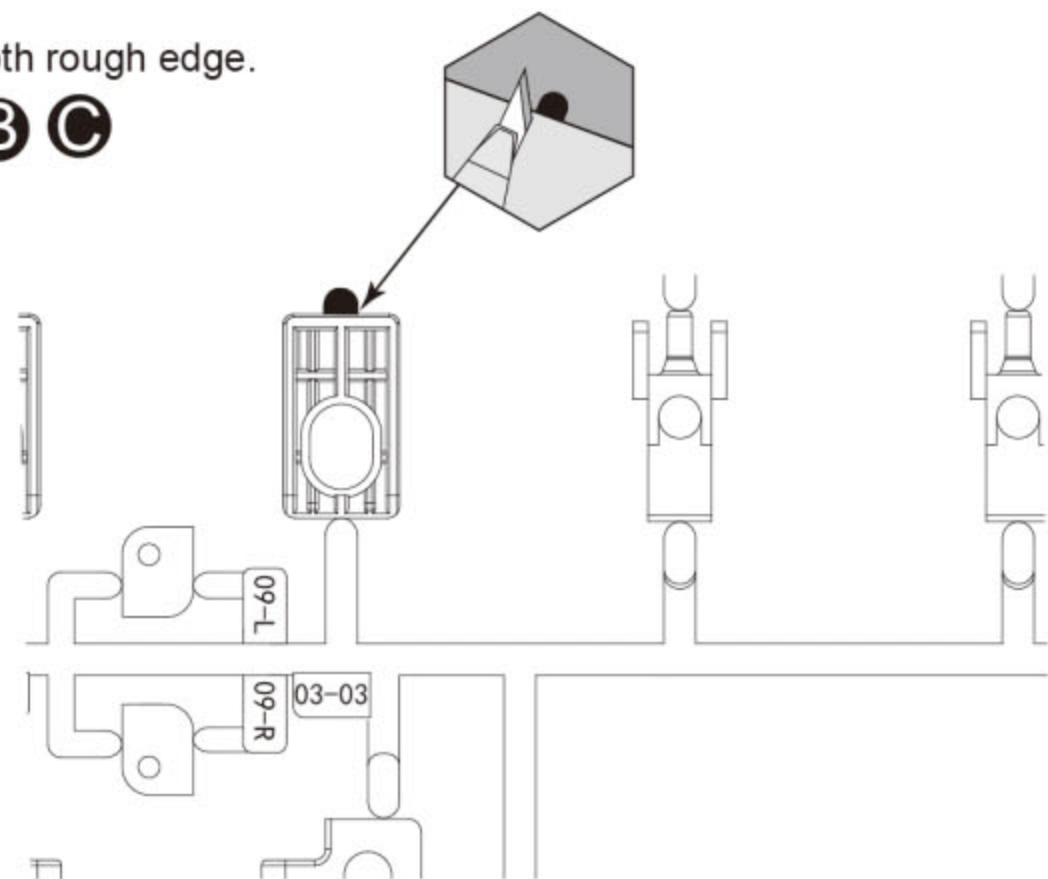


2 Cutting

① Remove.
A B C



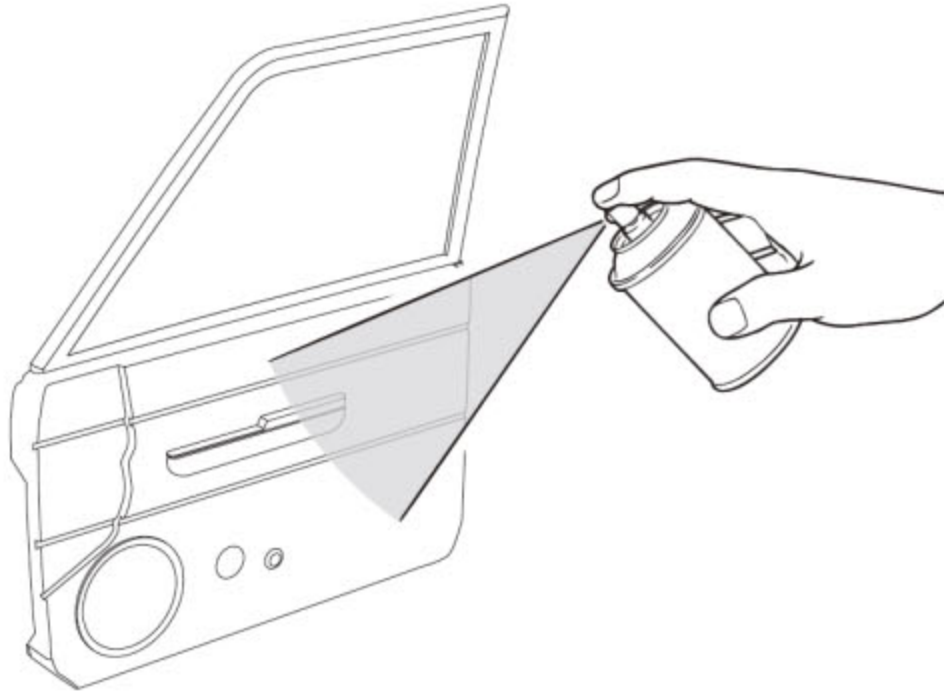
② Smooth rough edge.
A B C



3 Painting

Paint spray color what you prefer on these parts, recommend paint in same color.

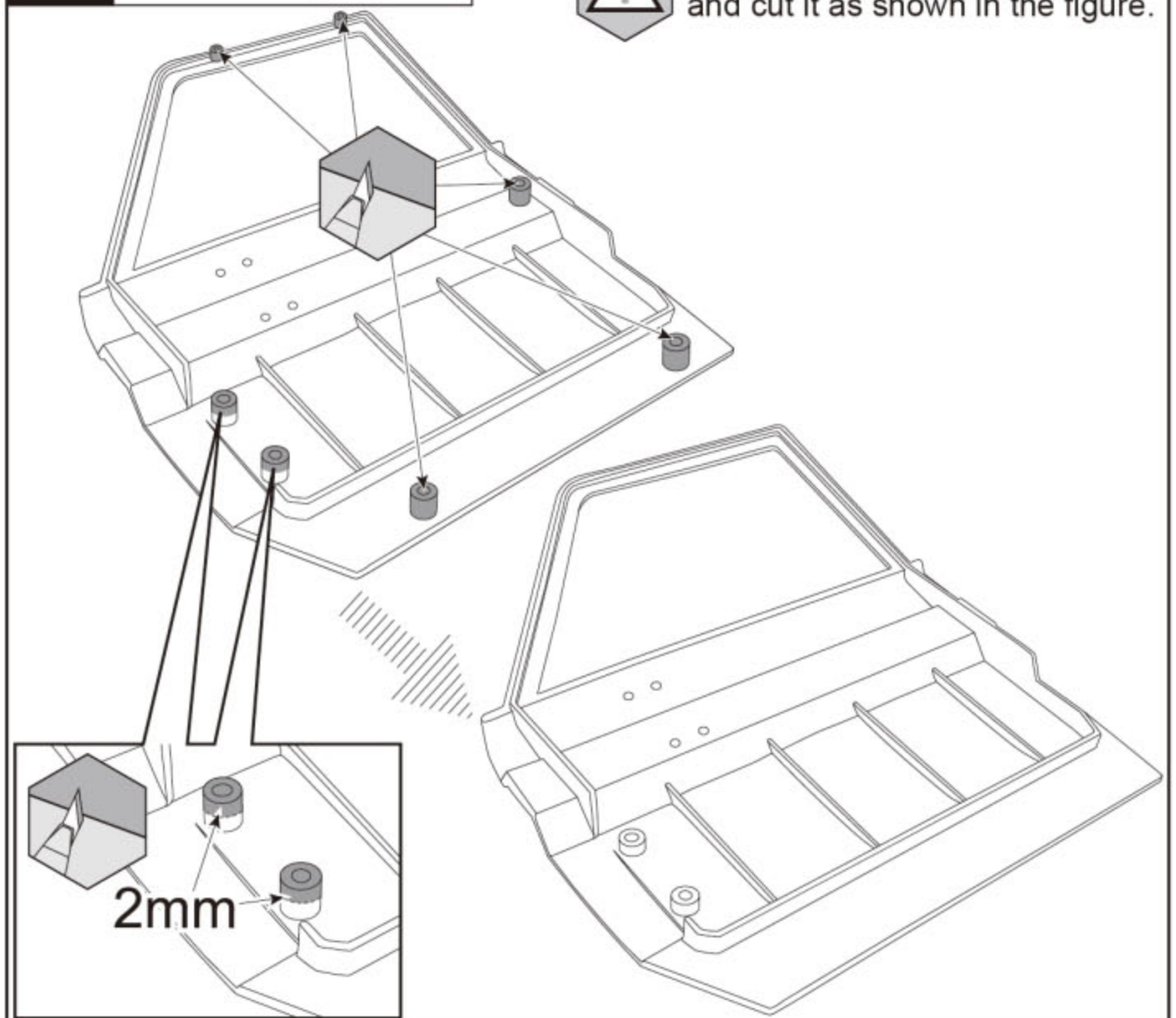
B



4 Cutting



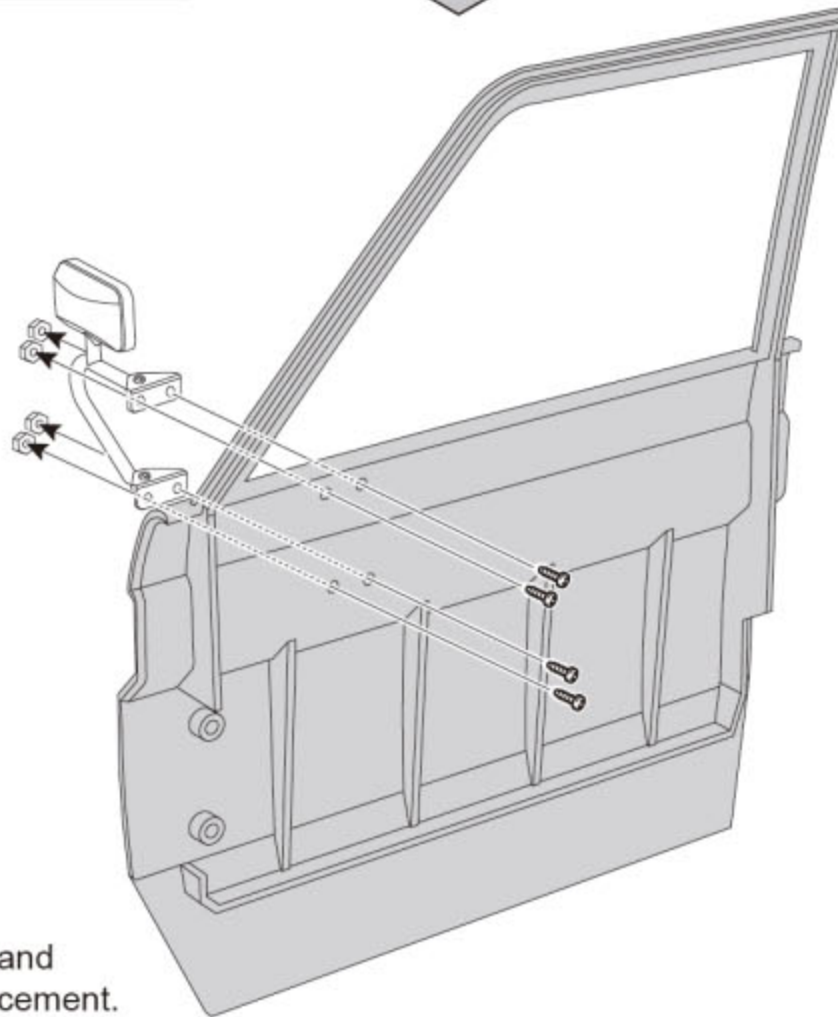
Disassemble the door of 48601, and cut it as shown in the figure.



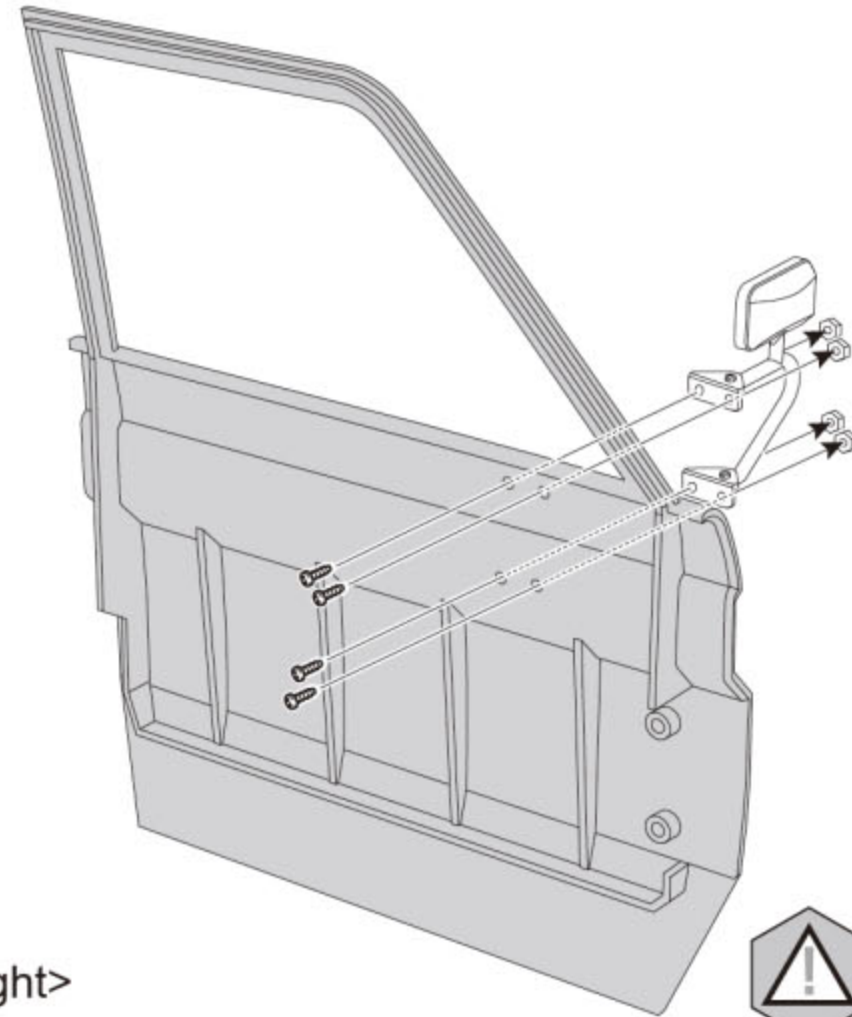
5 Assembling



Screw M1.4 not included, please use screws of 48601.



<Left>



<Right>



Lock the nuts and fix with screw cement.



Lock the nuts and fix with screw cement.

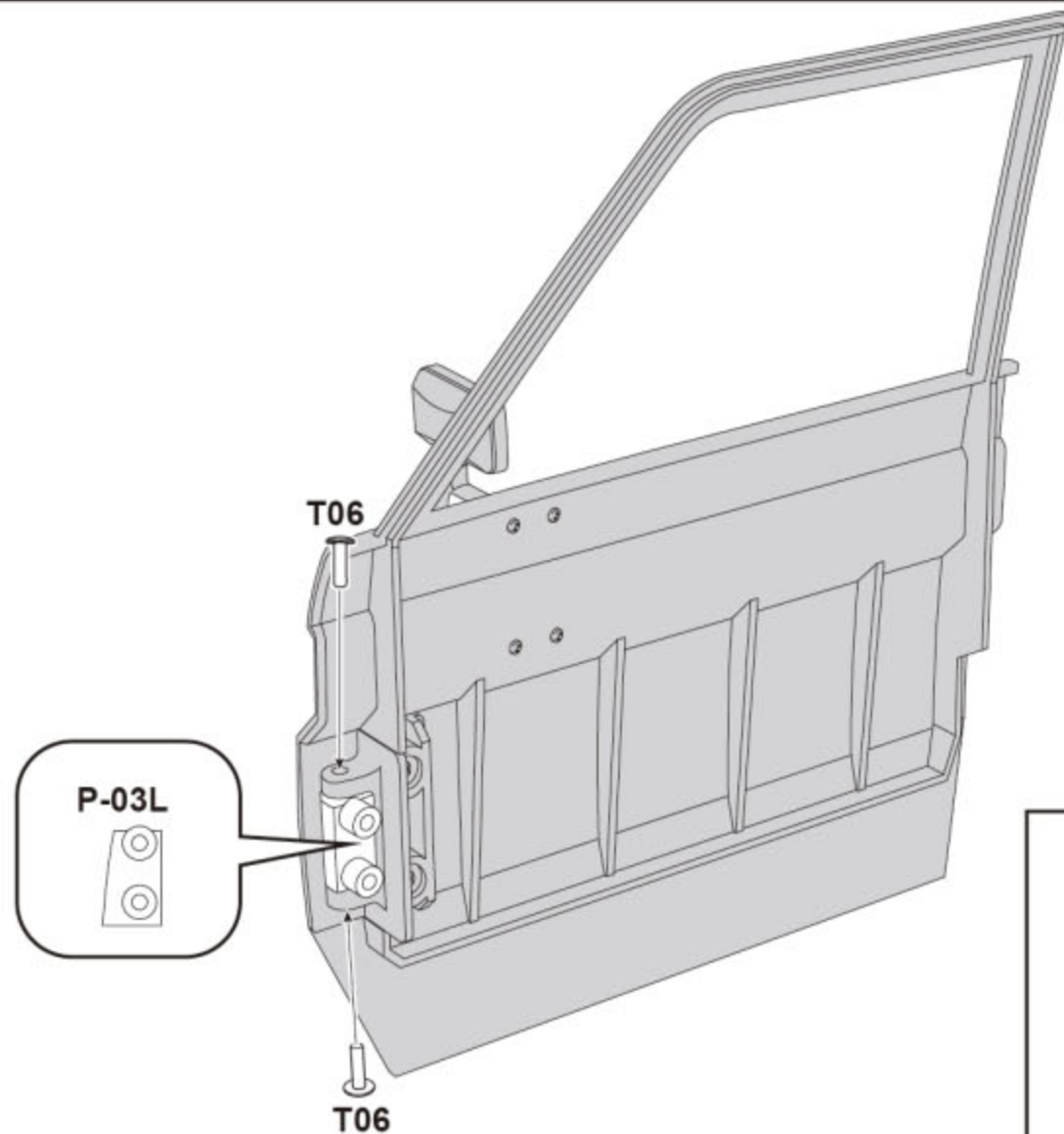
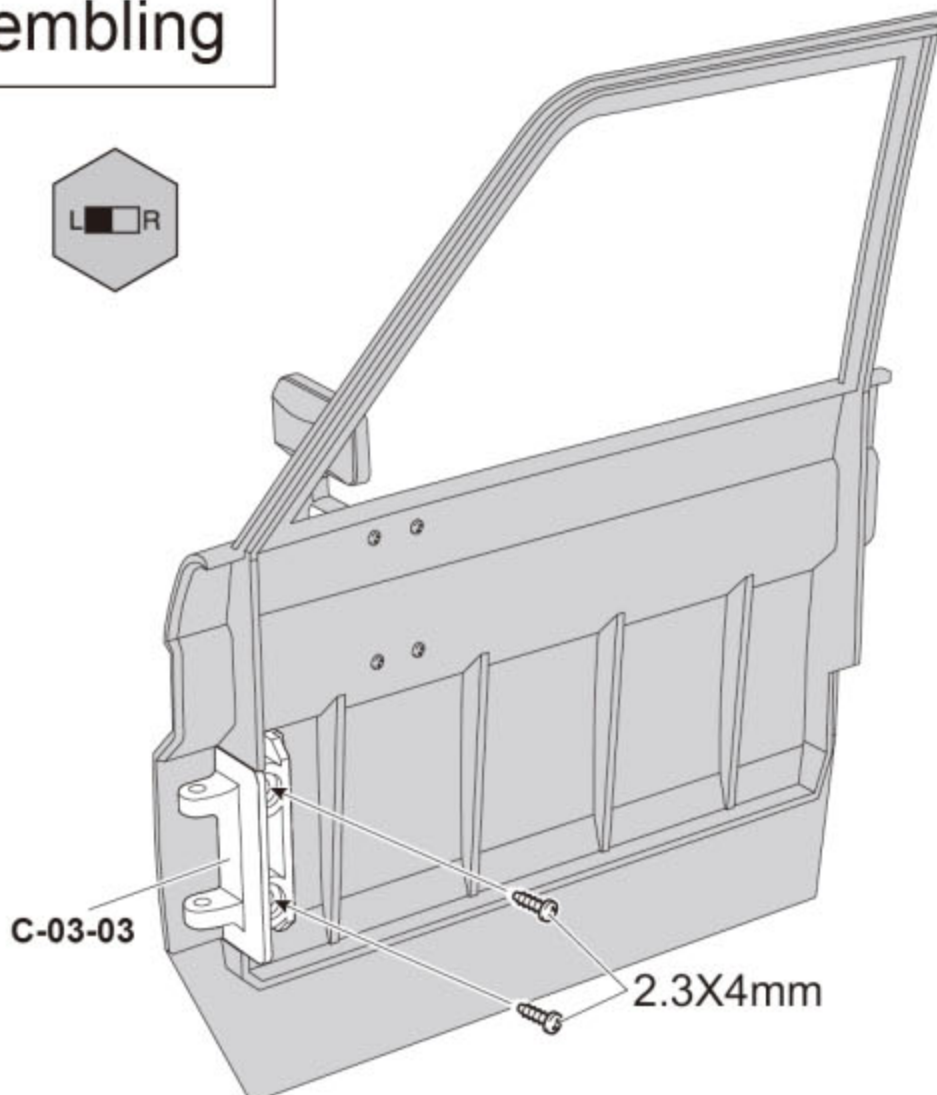
6 Assembling

Screw 2.3X4mm

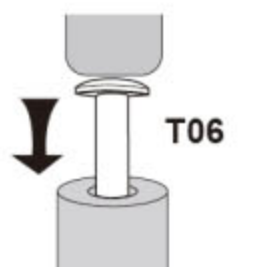
Rivet T06

Rivet T06

Rivet T06



Press down

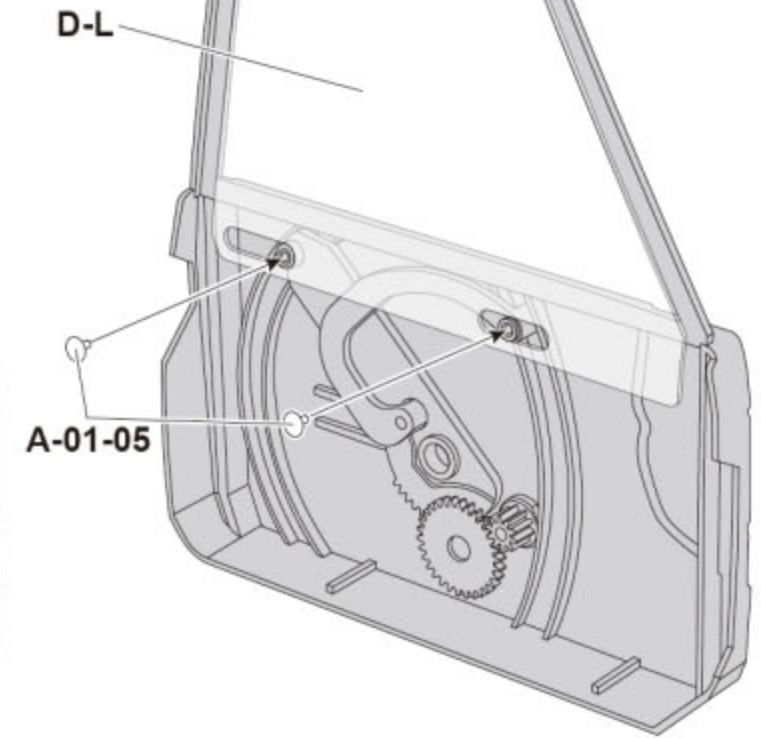
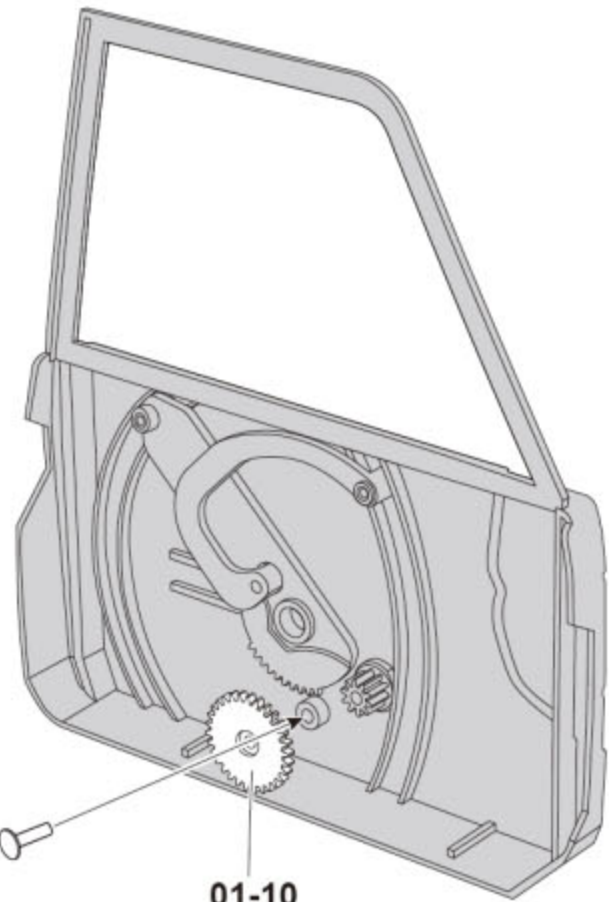
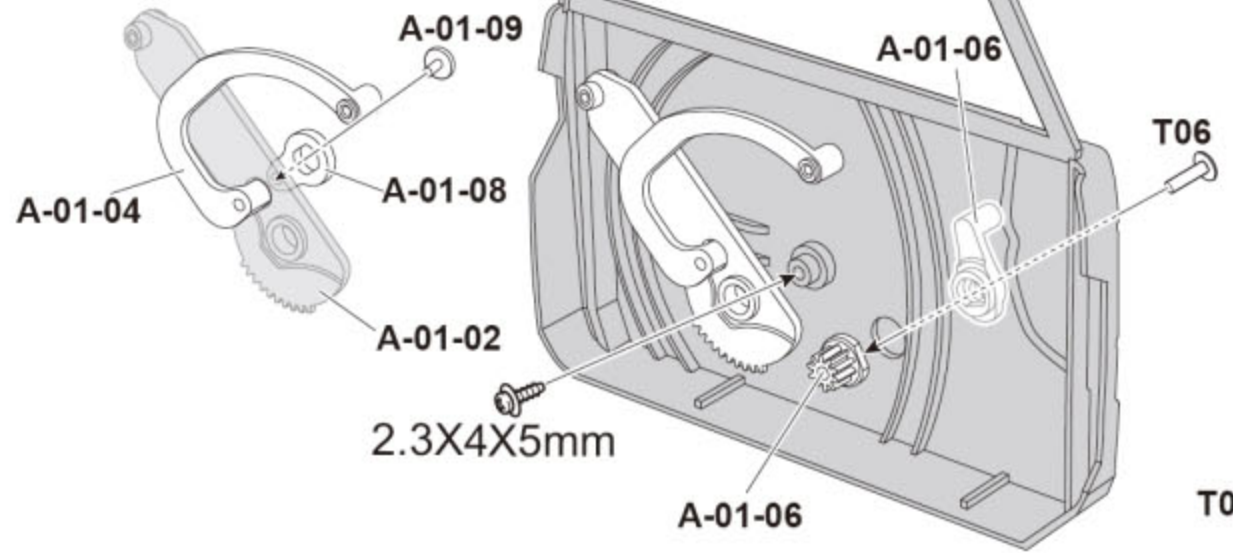
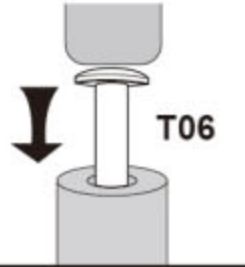


7 Assembling

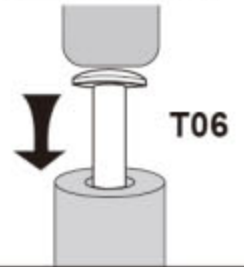
<Left>

- Flange screw 2.3X4X5mm
- Rivet T06

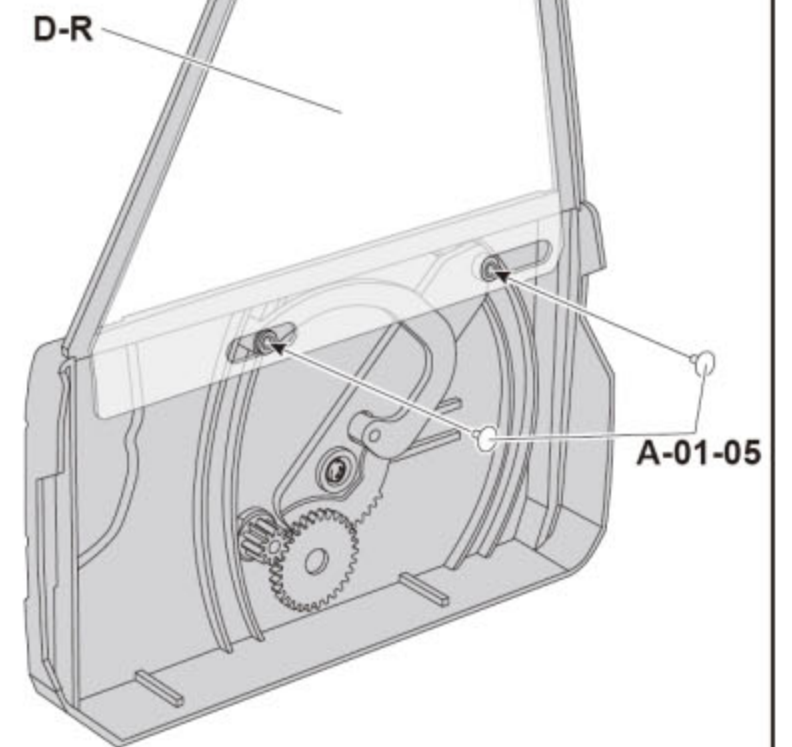
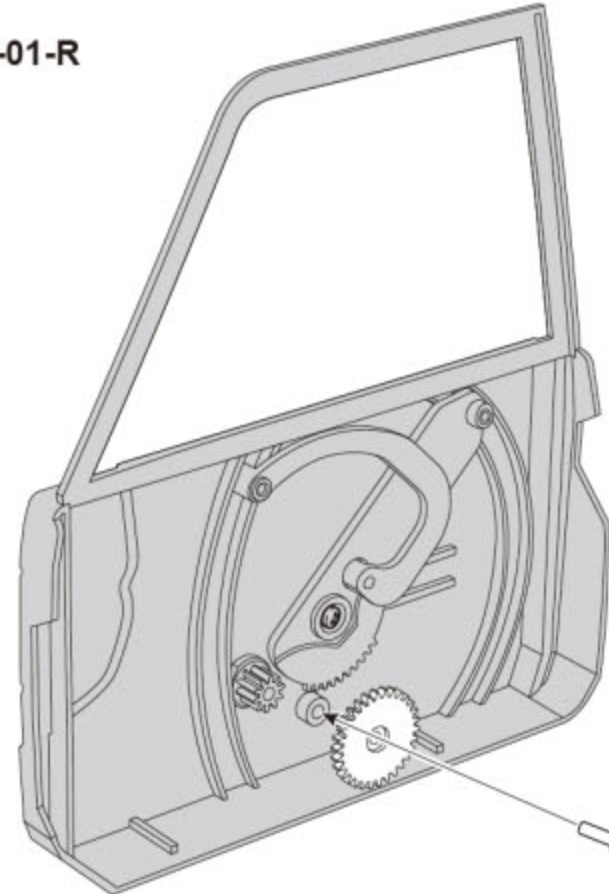
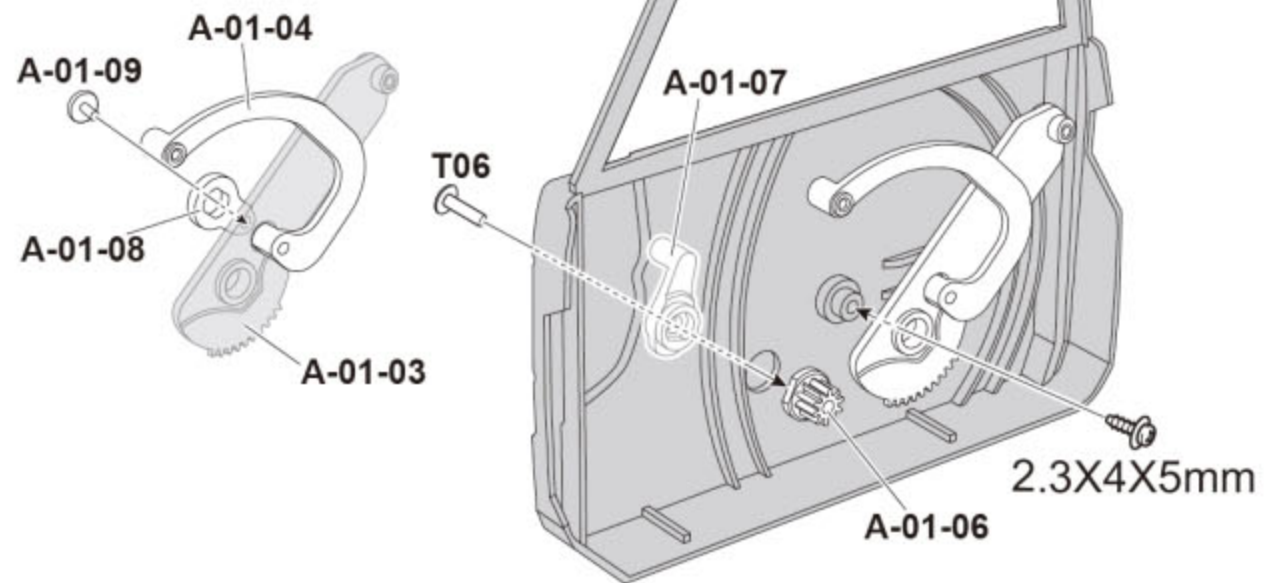
Press down



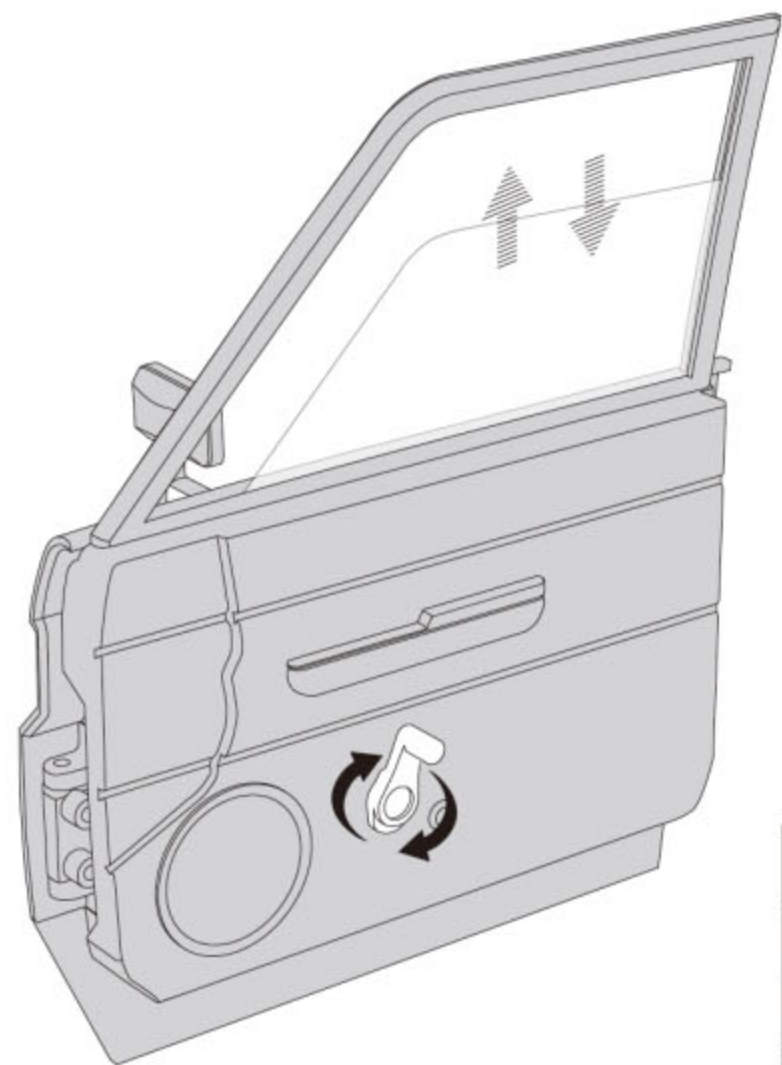
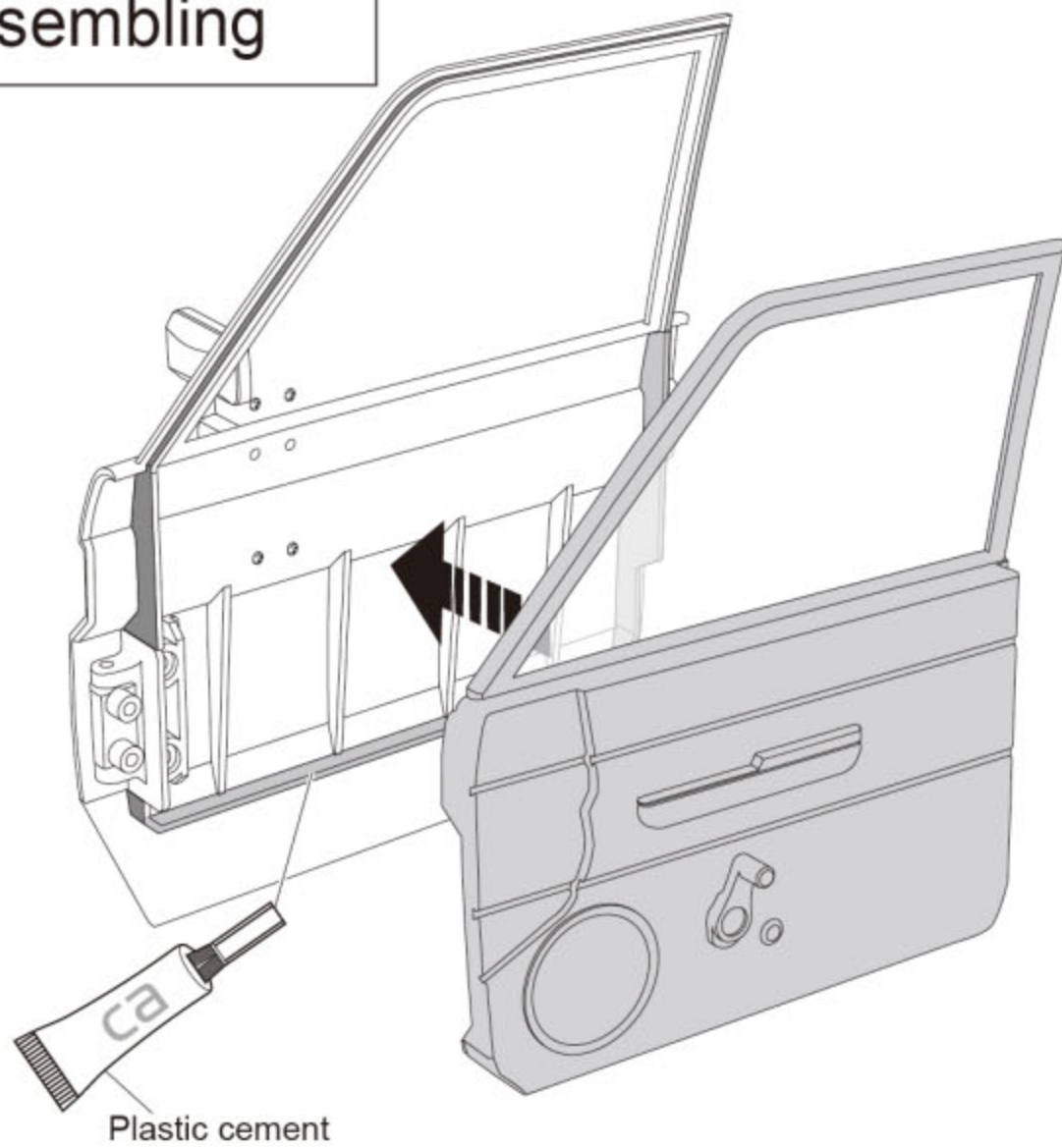
Press down



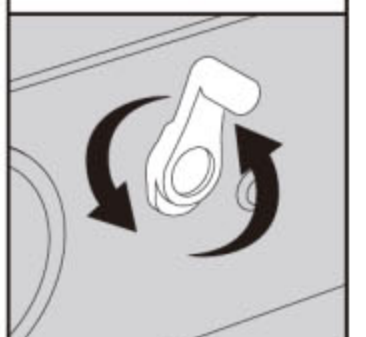
<Right>



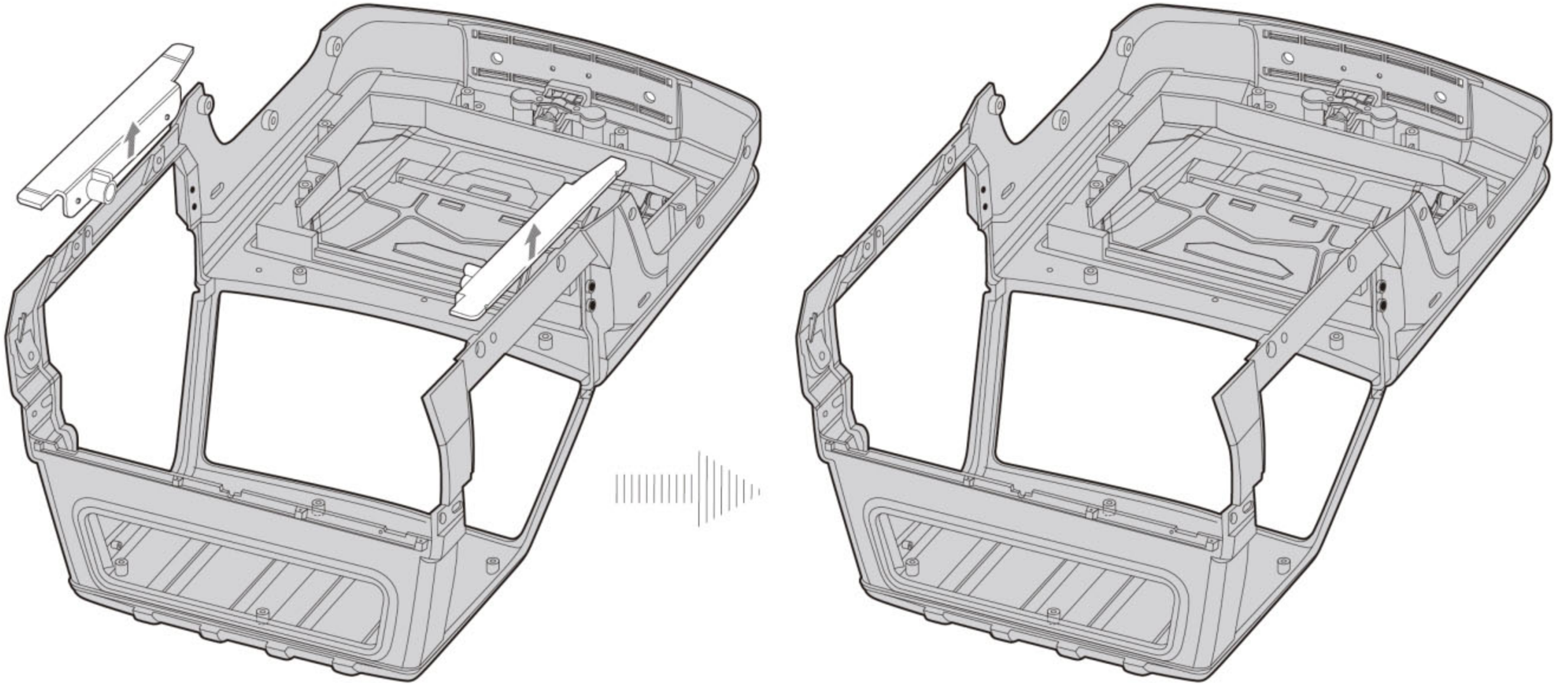
8 Assembling



Window lift



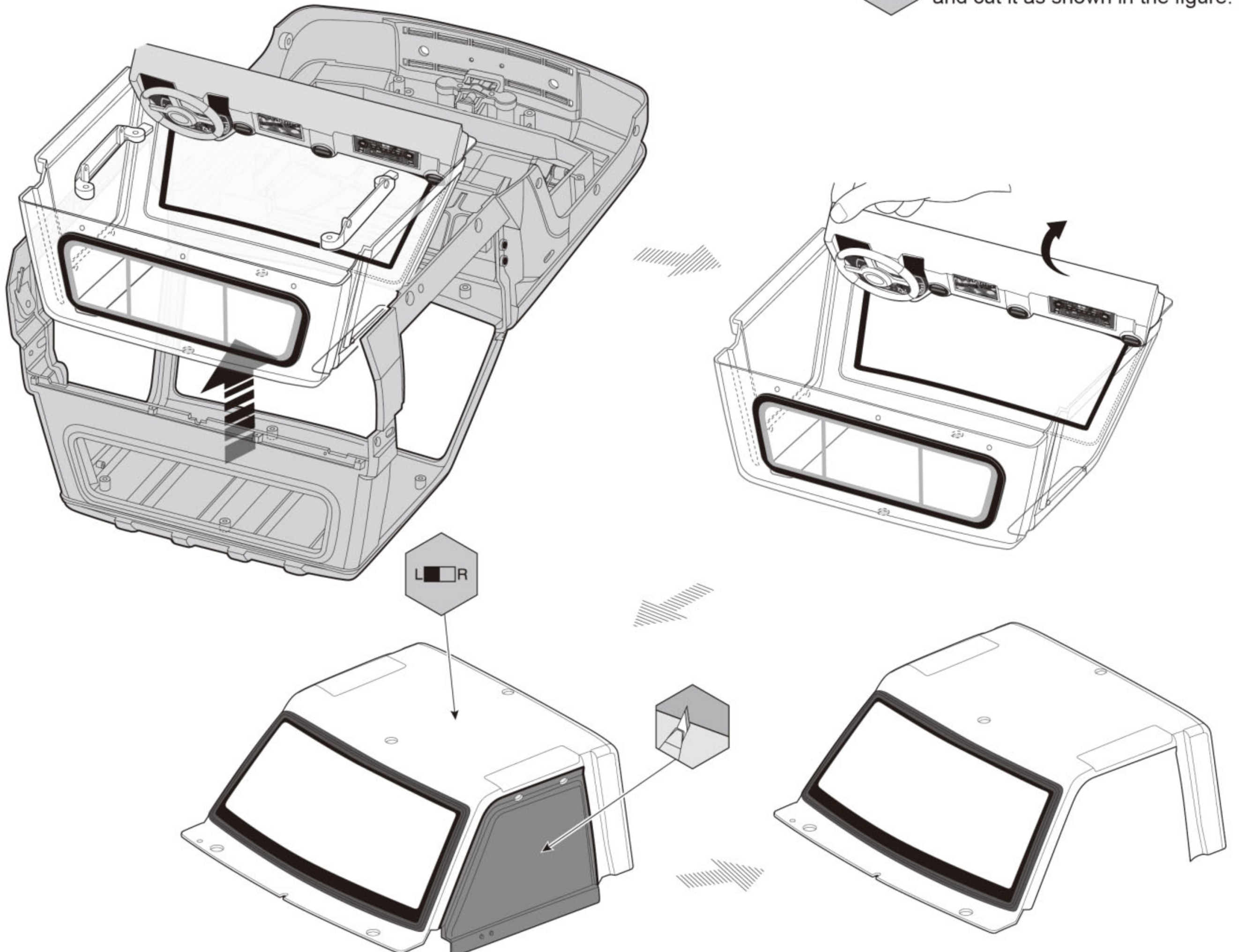
9 Disassembling



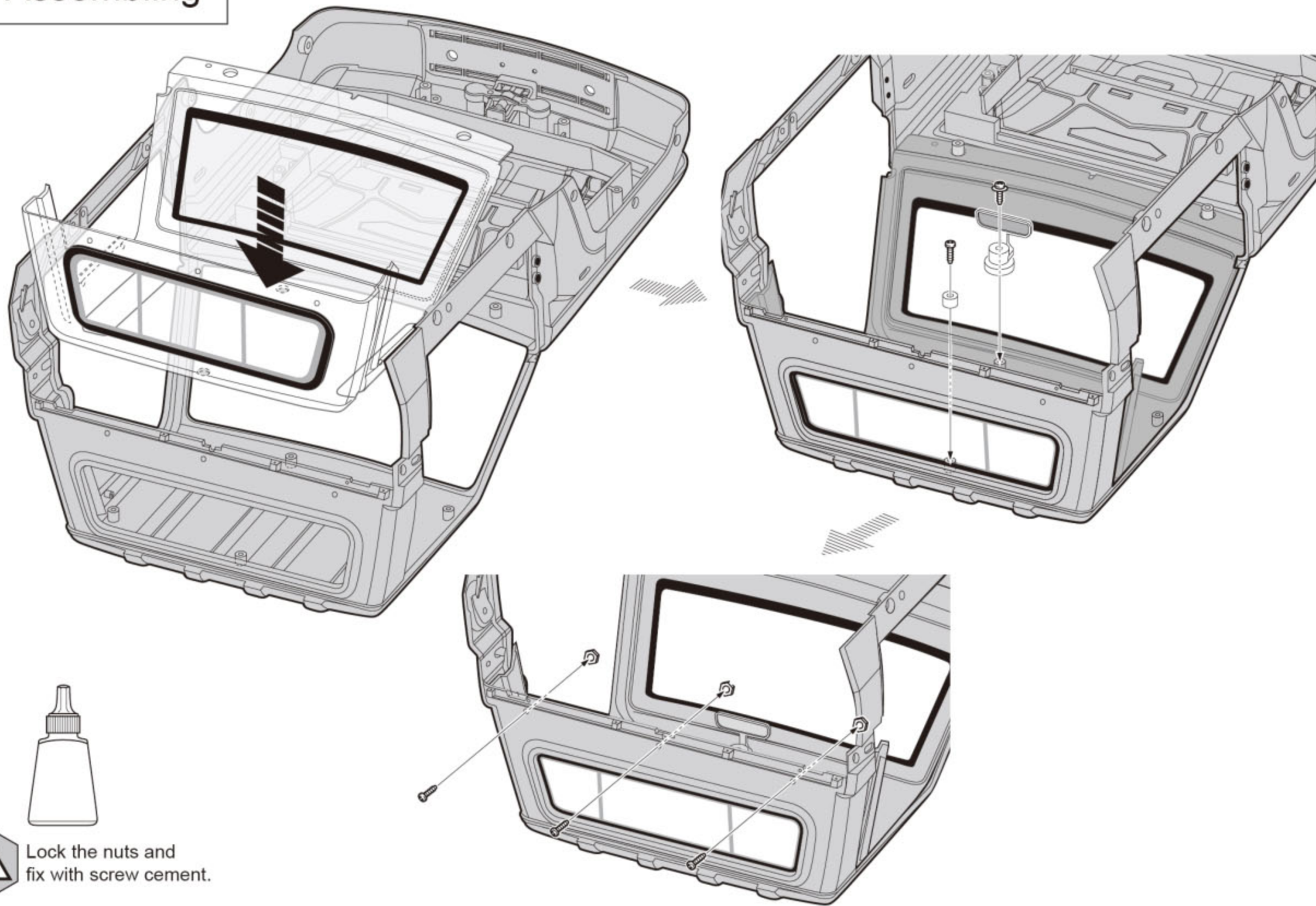
10 Upgrade



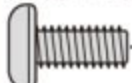




Disassemble the window of 48601, and cut it as shown in the figure.



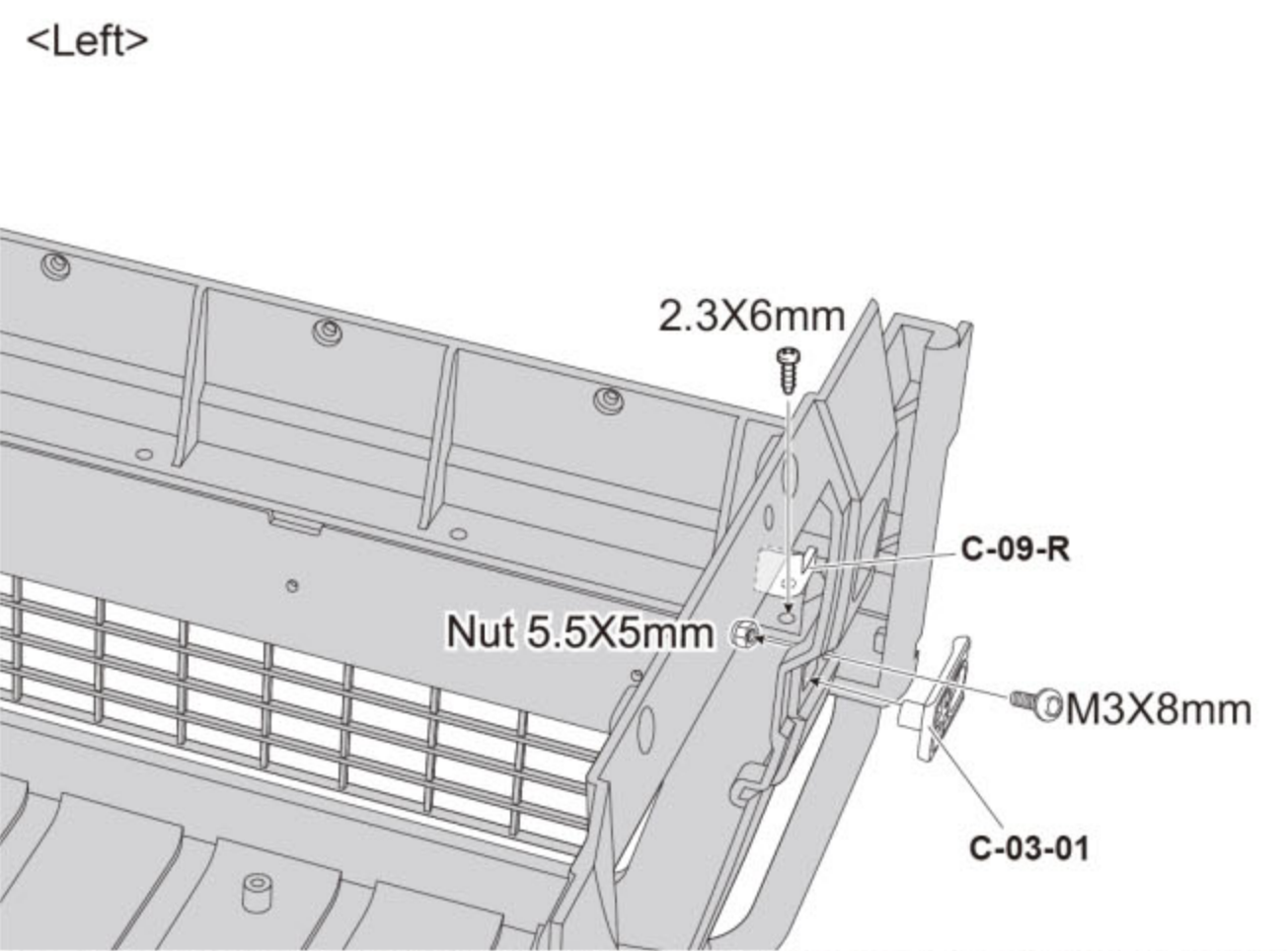
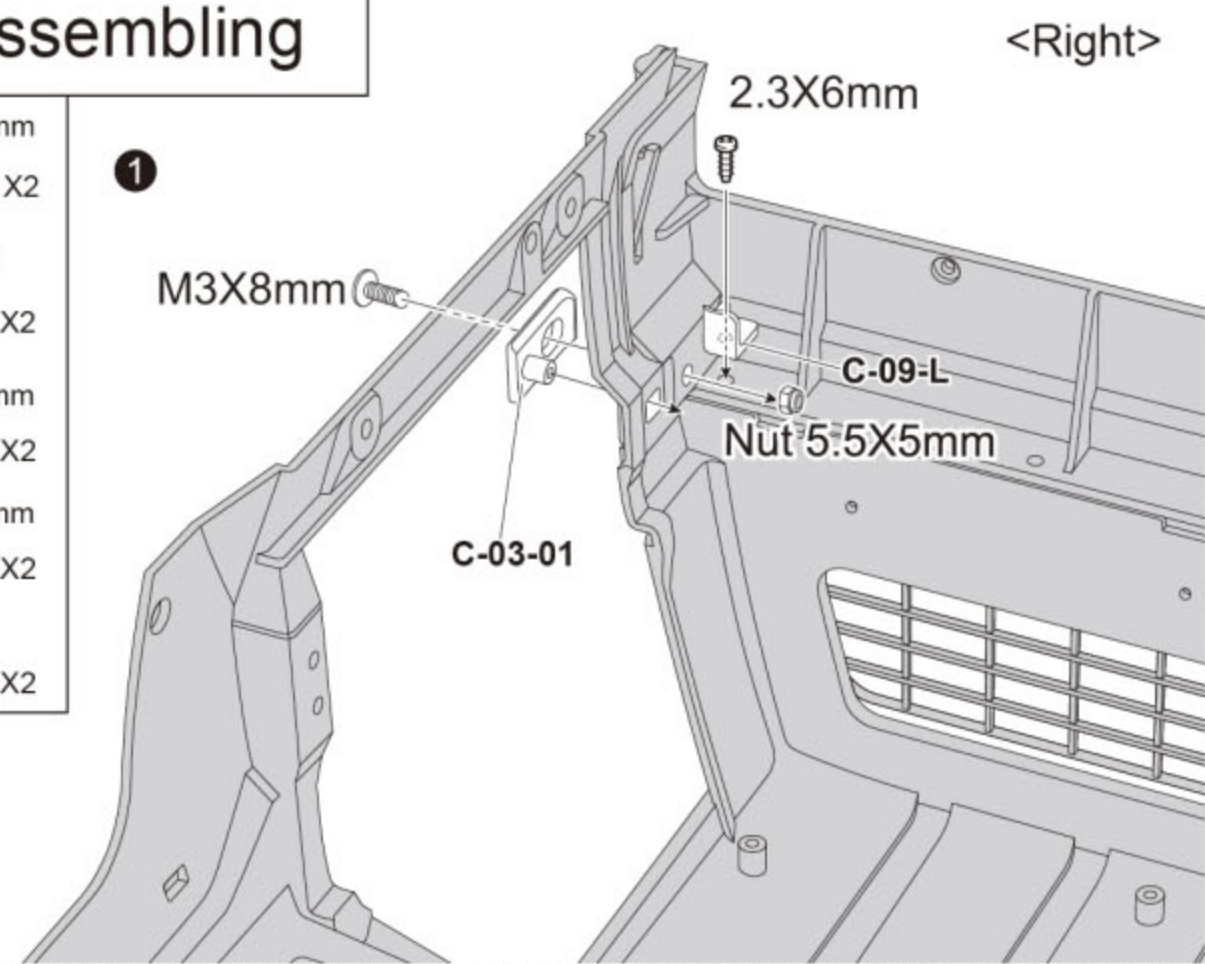
11 Assembling



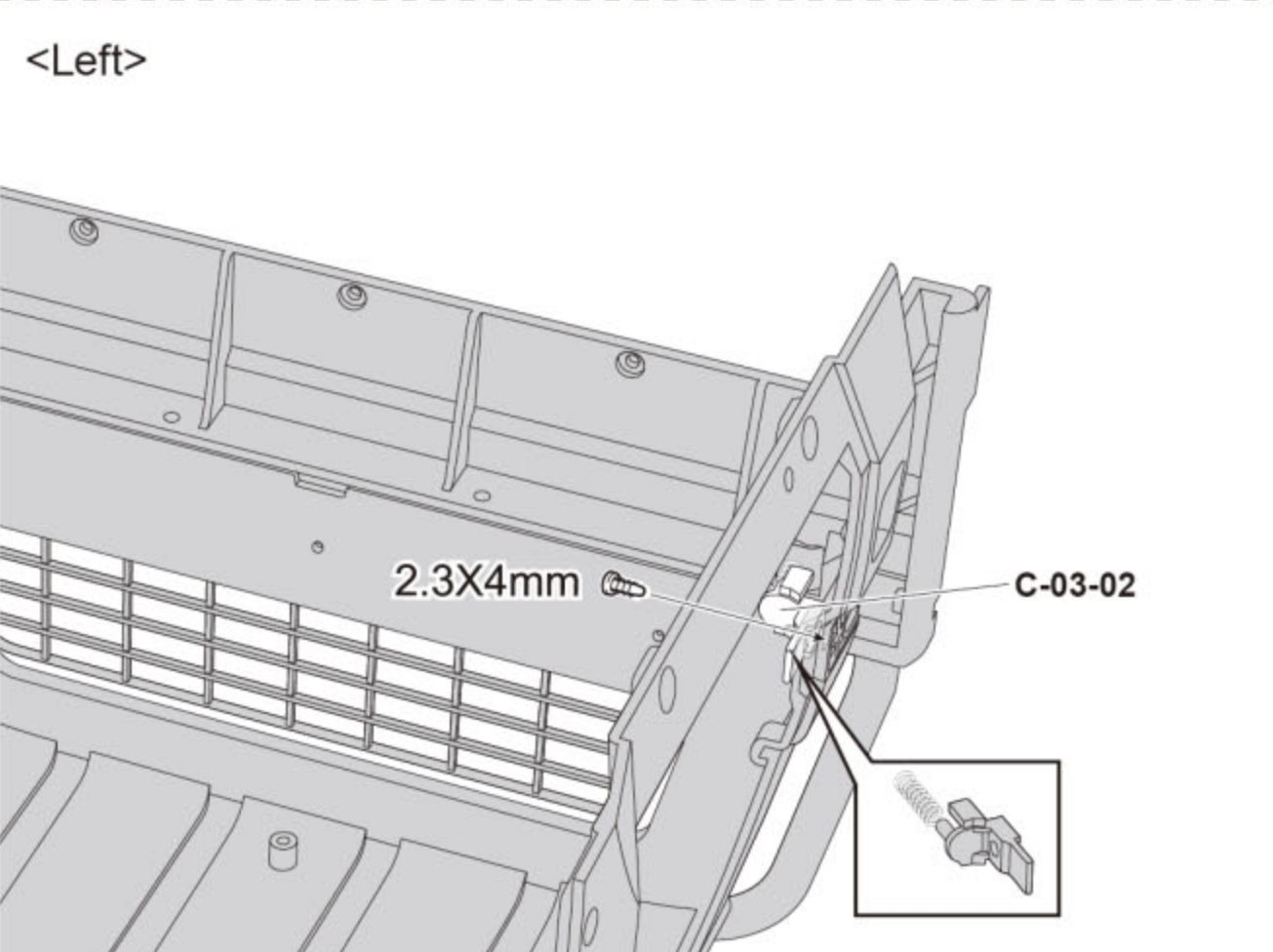
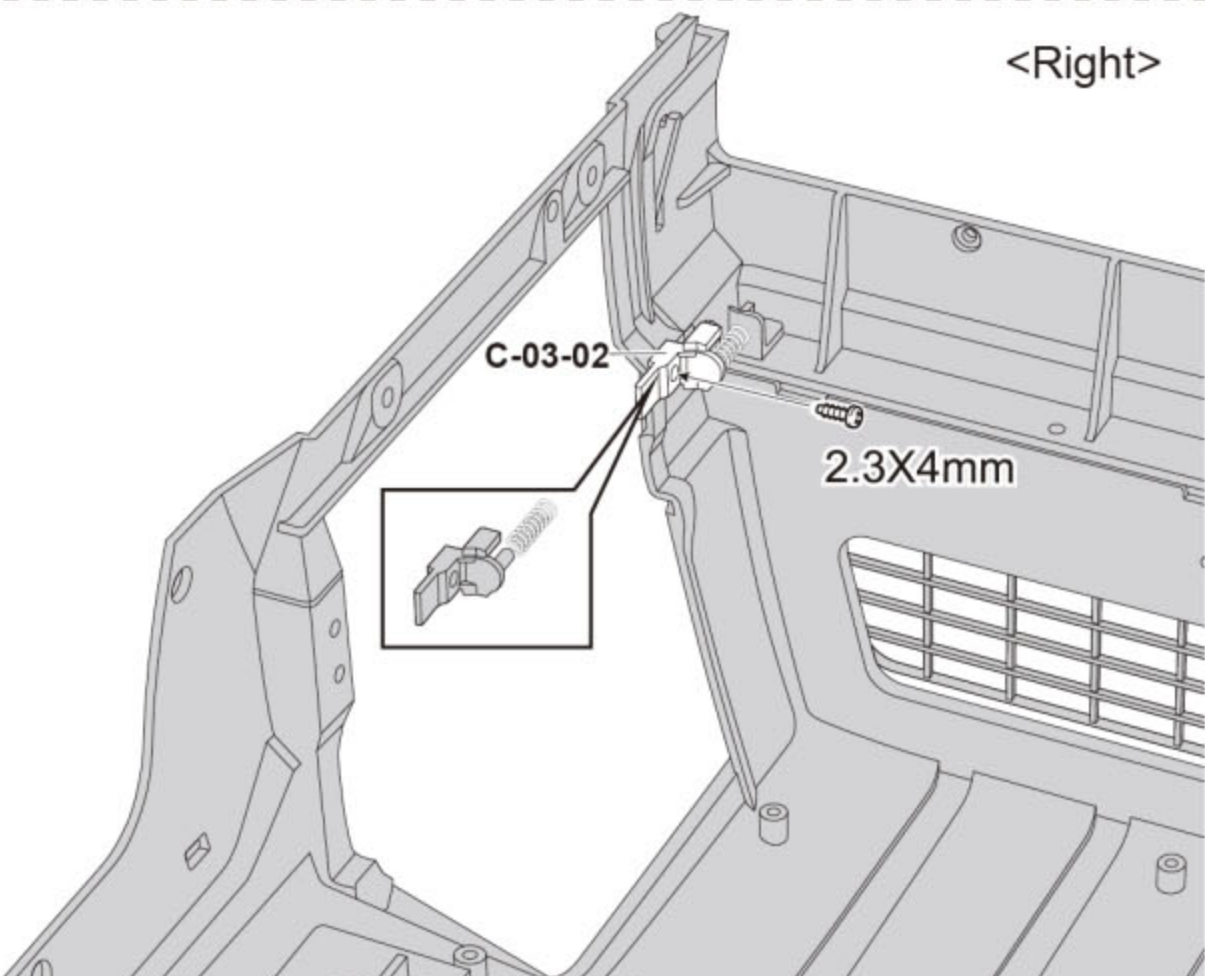
12 Assembling

-  Screw M3X8mm ----- X2
-  Nut 5.5X5mm ----- X2
-  Screw 2.3X4mm ----- X2
-  Screw 2.3X6mm ----- X2
-  Spring ----- X2

1



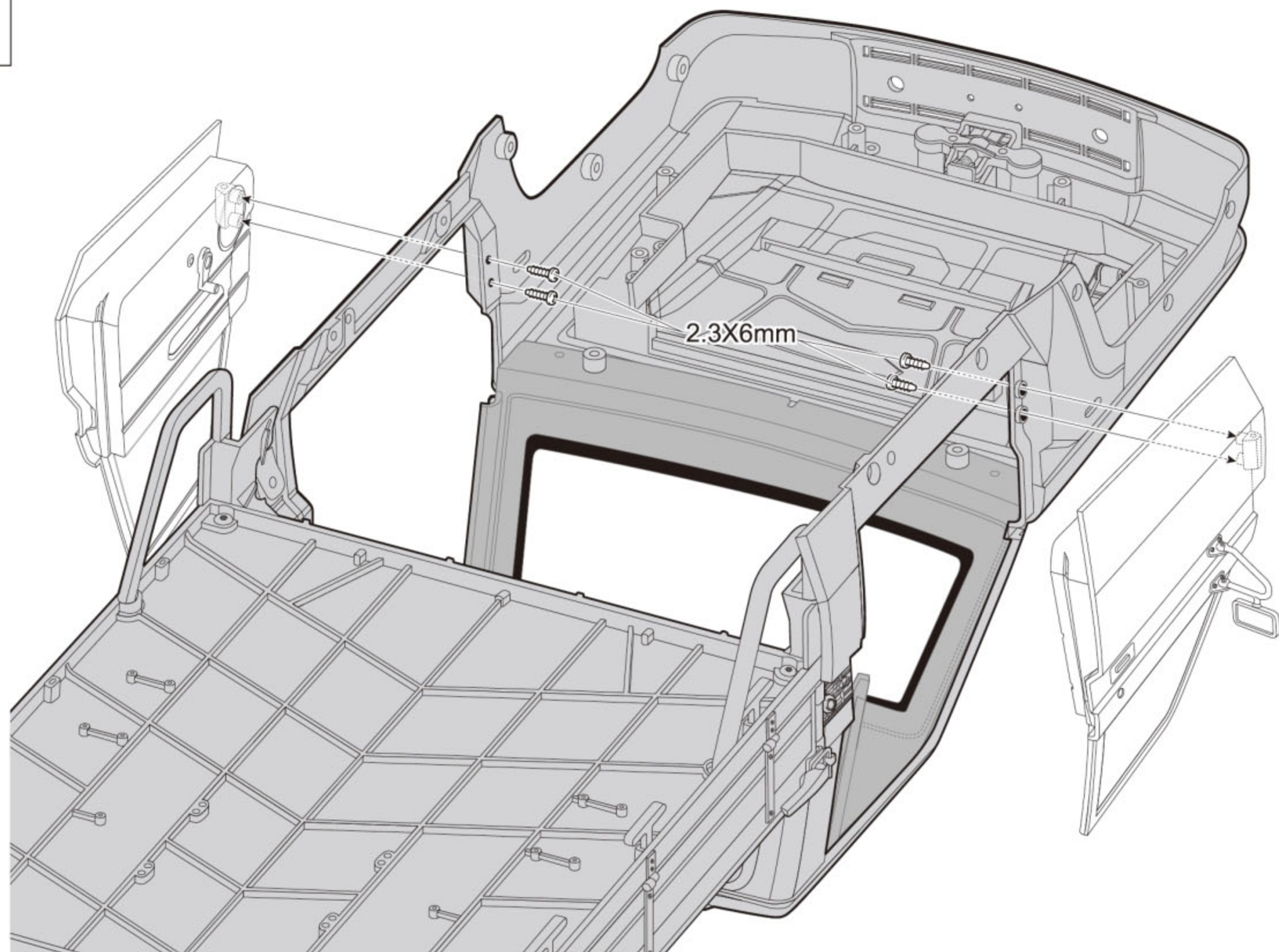
2



13 Assembling

Screw 2.3X6mm

X4



14 Assembling

Screw 2.3X6mm

X2

Screw M3X5mm

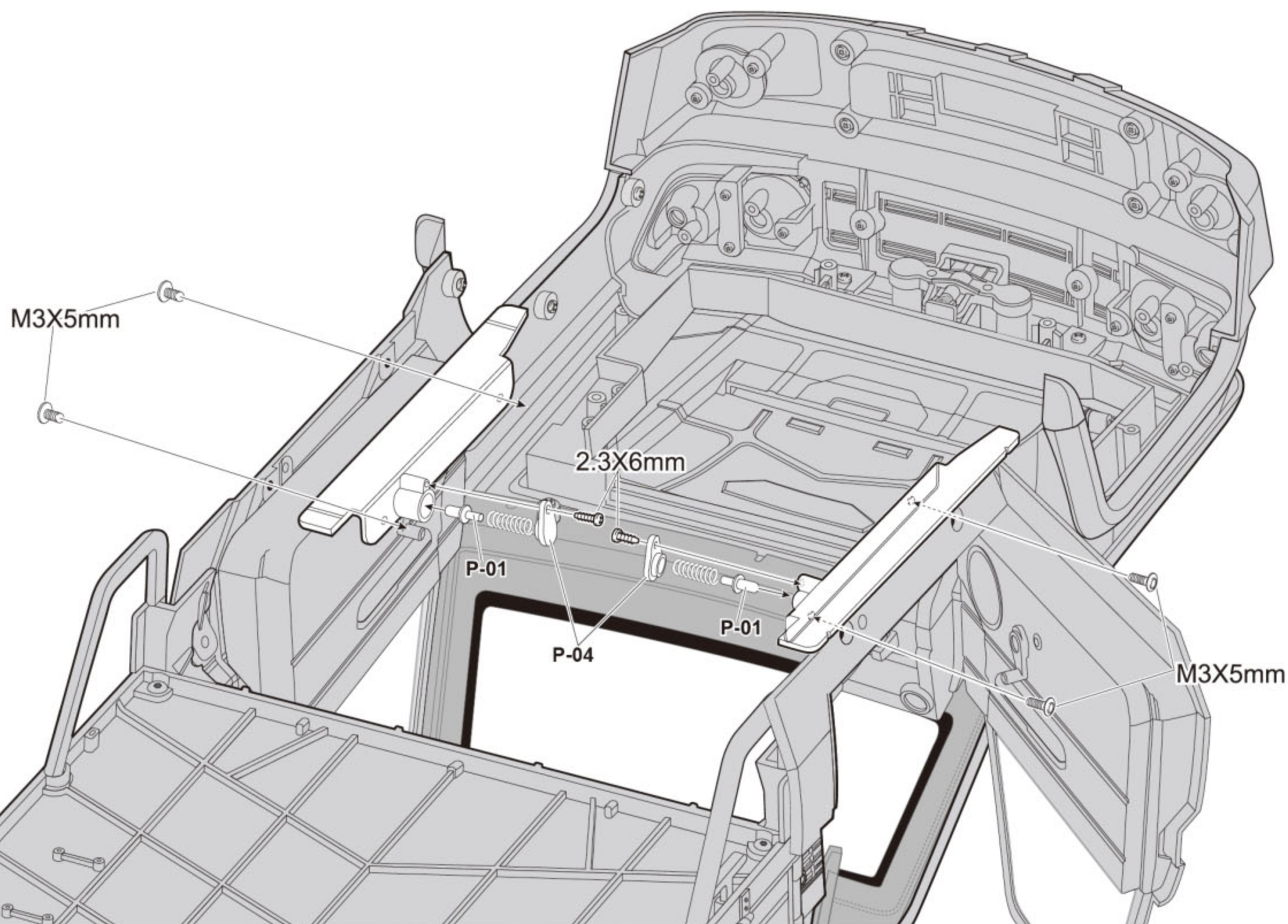
X4

Spring

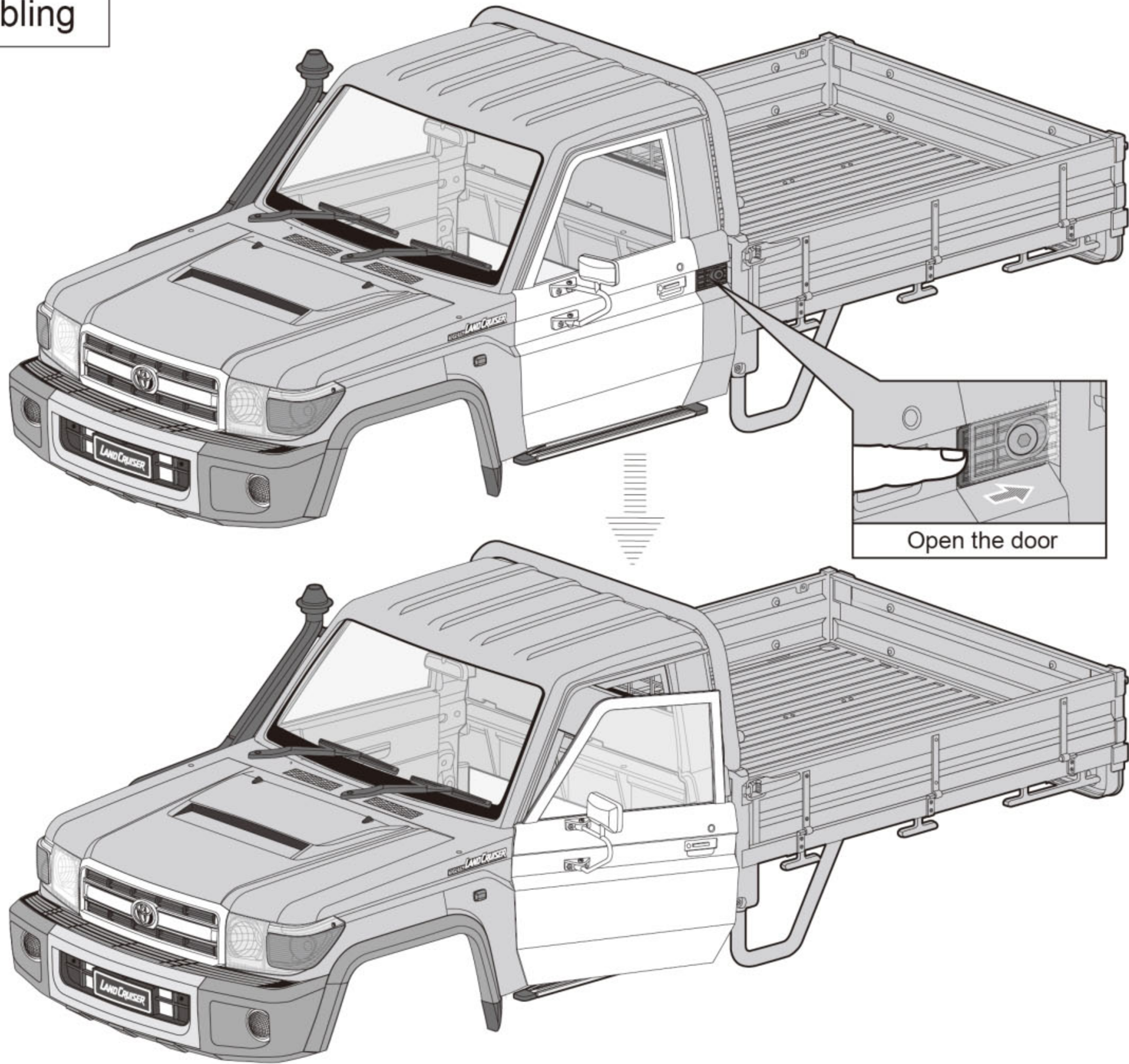
X2

X2

X2



15 Assembling



16 Finished

