

Toyota Land Cruiser 70

1/10 Hard Body Kit

Official Licensed Product

NO.48601

killerbody™

1/10 RC PLANNING INSTRUCTION SHEET

Scale Hard Body (Long wheelbase: 313mm Width: 197mm)

Fit for Axial SCX10 Chassis AX90047/AX90046/AX90037/AX90022/AX90035/AX90028

Fit for RC4WD TF2 LWB Chassis Kit (Z-K0059)

Before beginning assembly, please read these instructions thoroughly!

● Symbols used throughout the instruction manual, comprise:



Smooth rough edge.



Remove.



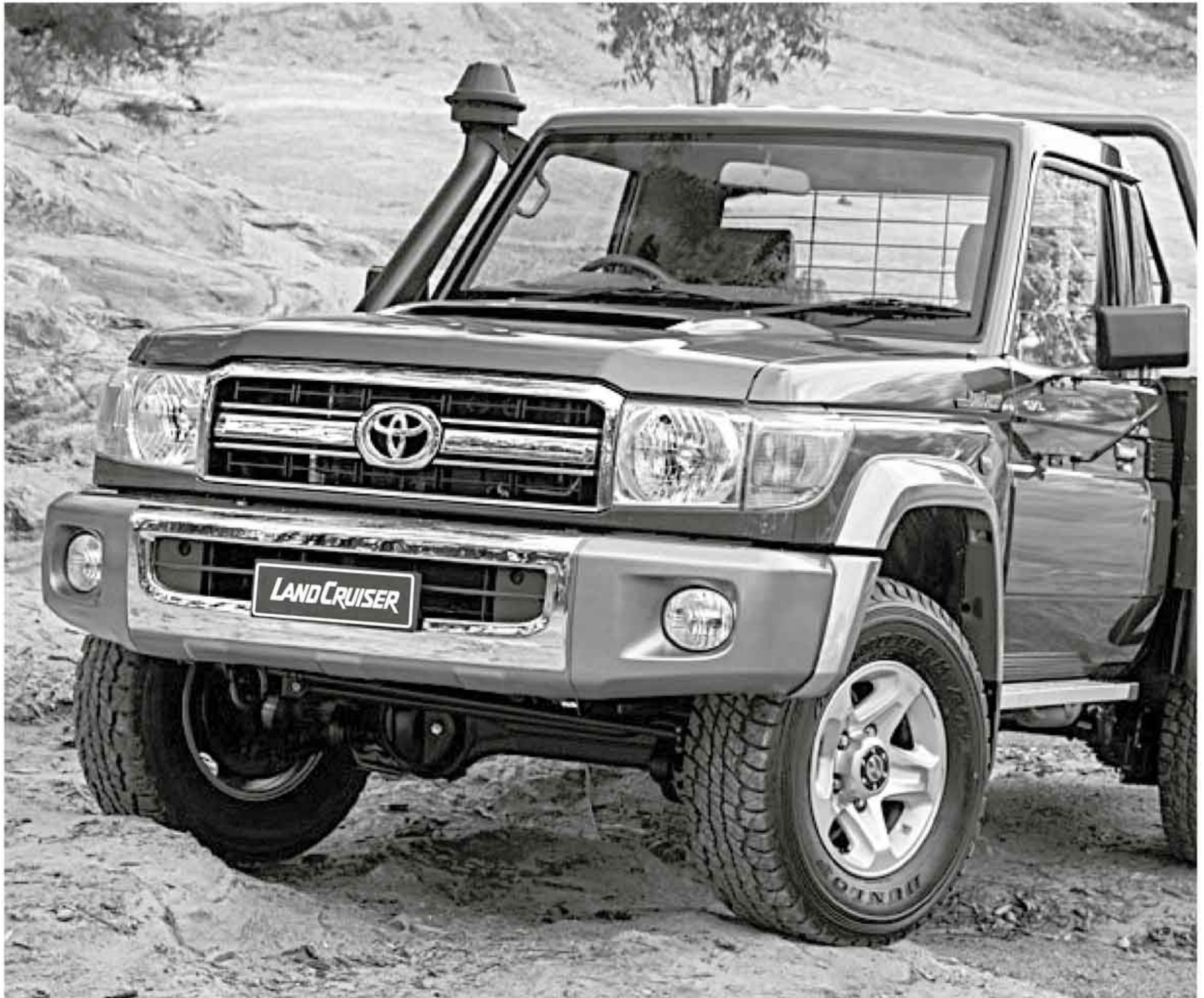
Pay close attention here!



Must be purchased separately.

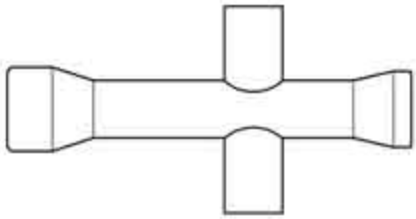


Assemble left and right sides the same way.

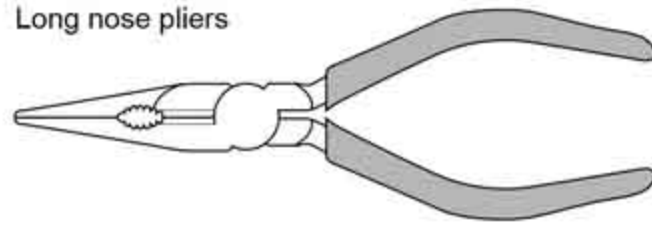


TOOLS RECOMMENDED (NOT INCLUDED)

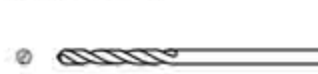
Box wrench



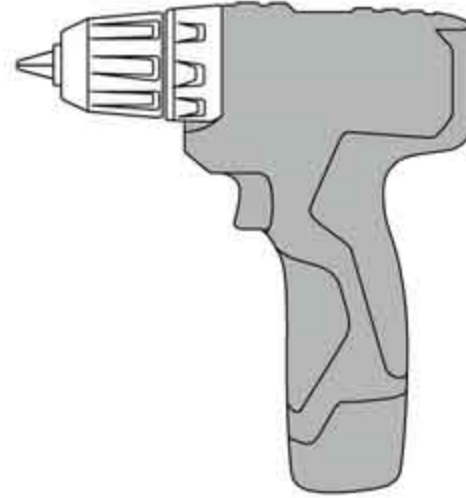
Long nose pliers



Drill 1.2mm



Electric drill

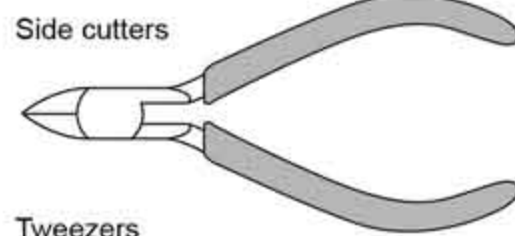


Screw cement

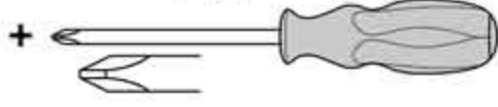
Hex wrench



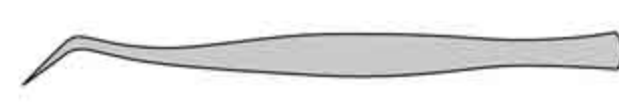
Side cutters



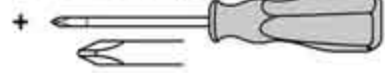
Screwdriver (large)



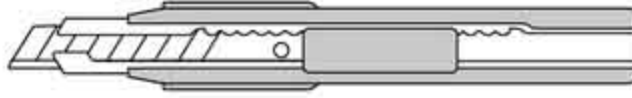
Tweezers



Screwdriver (small)



Modeling knife



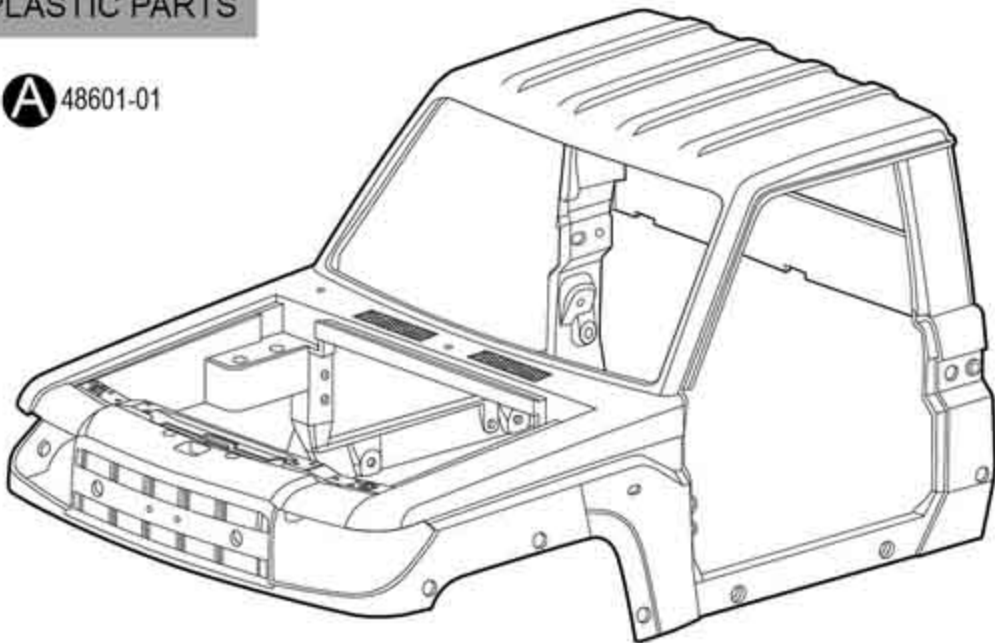
Plastic cement

PARTS

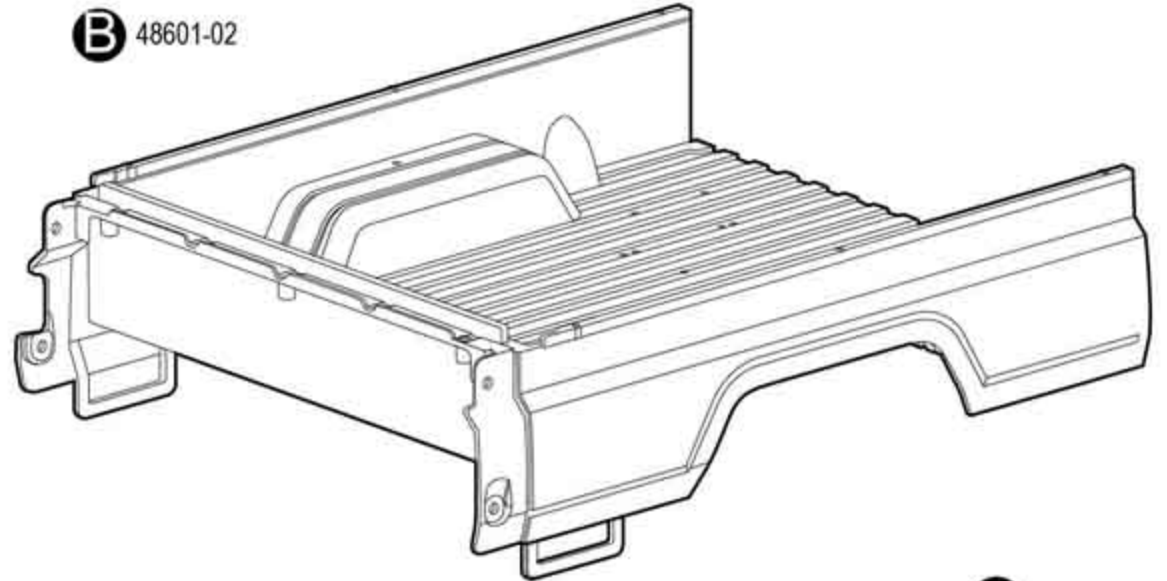
Decal sheet ----- X3	Screw 2.3X5mm----- X22	Flange screw 2.3X5X6mm ----- X4	Cab stainless steel pedal----- X1
ABS parts ----- X8	Silver mirror decal ----- X1	Screw M3X8mm-- X4	Double-sided tape for cab stainless steel pedal ----- X1
PC parts ----- X3	Tapping screw 1.4X6mm --- X19	Screw 2X4mm ----- X10	Double-sided tape for dashboard----- X1
ABS chromed parts --- X1	Nut 2.6X1.4mm----- X15	Wing mirror stainless steel parts --- X4	3M 160X24mm
Plastic glass ----- X1	Tapping screw 1.4X4mm ----- X13	Screw 2.3X6mm--- X45	

PLASTIC PARTS

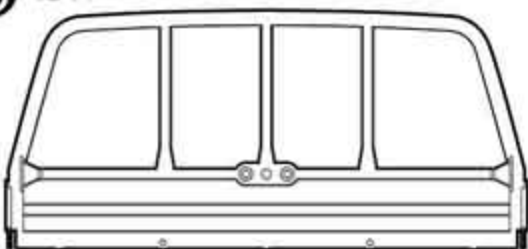
A 48601-01



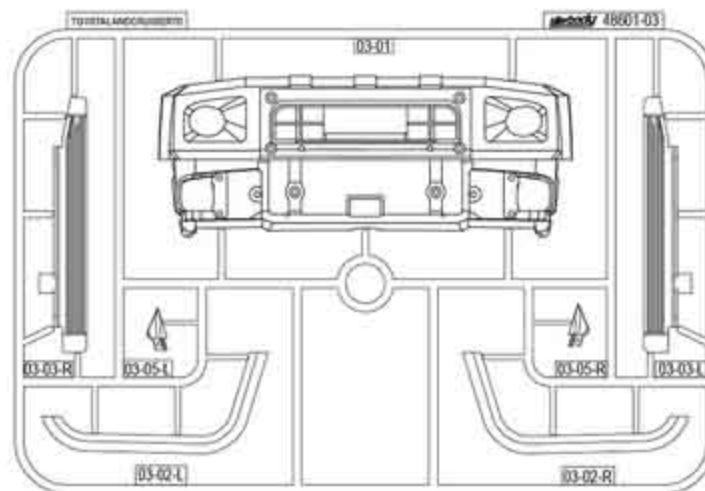
B 48601-02



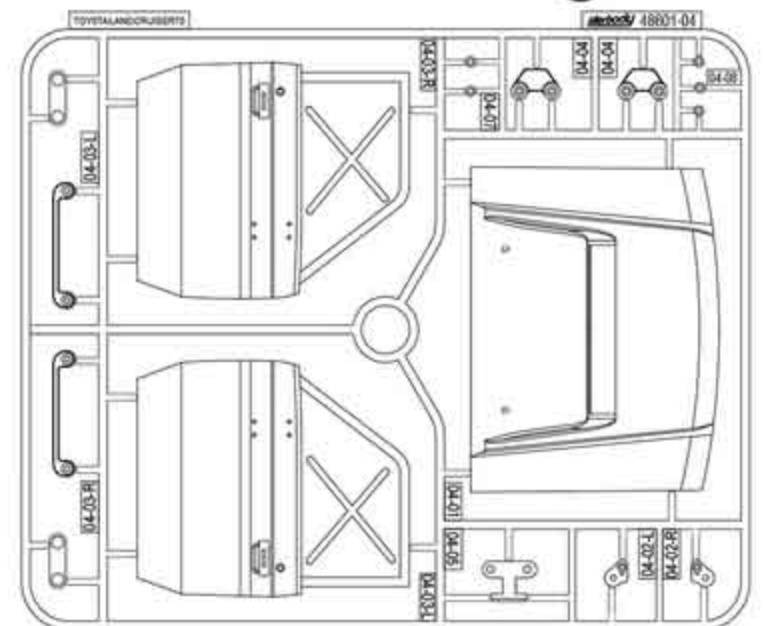
C 02-01



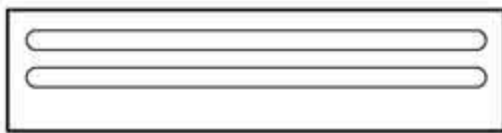
E 48601-03



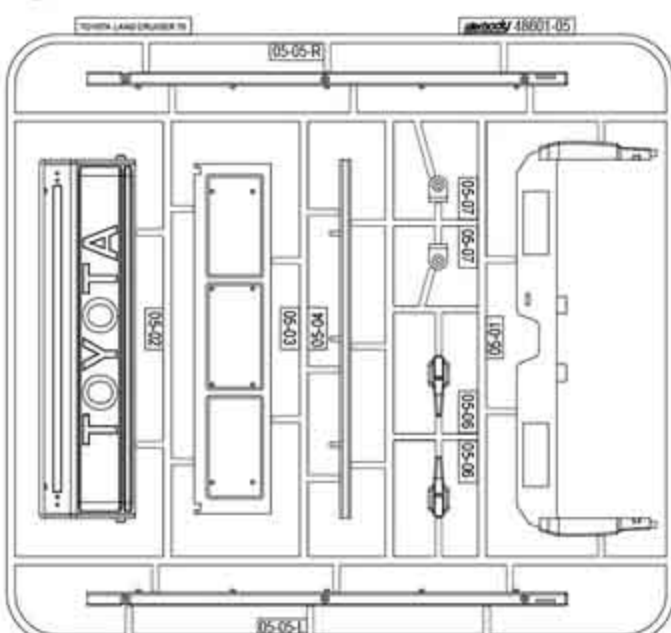
F 48601-04



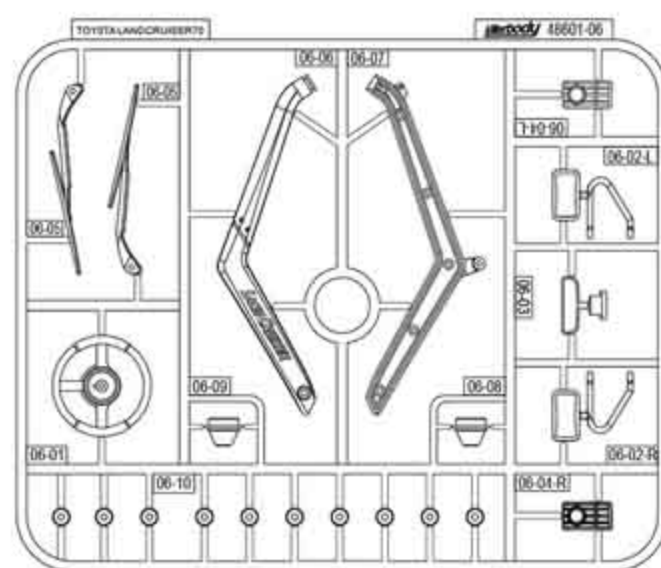
D



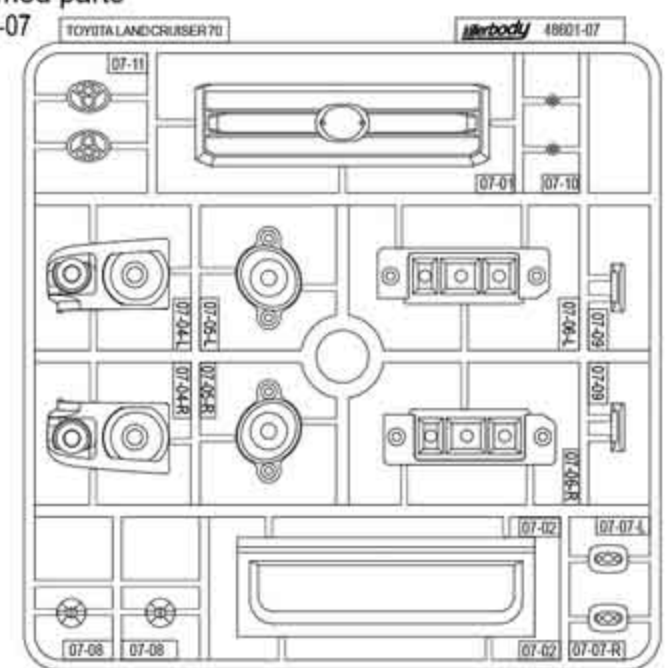
G 48601-05



H 48601-06



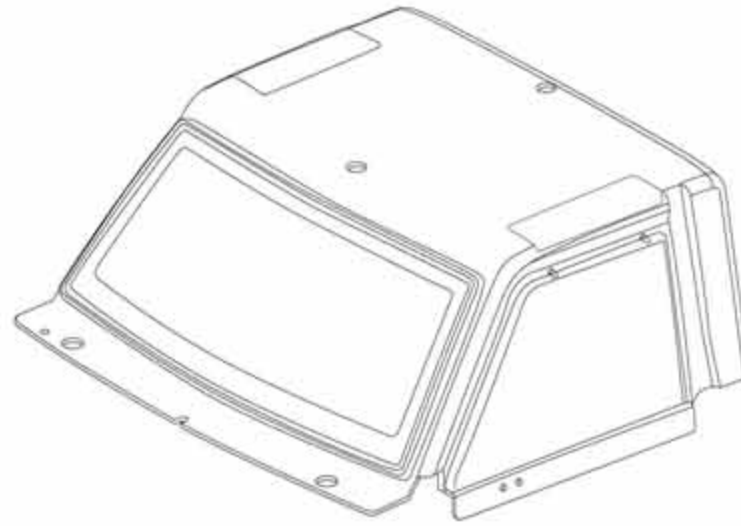
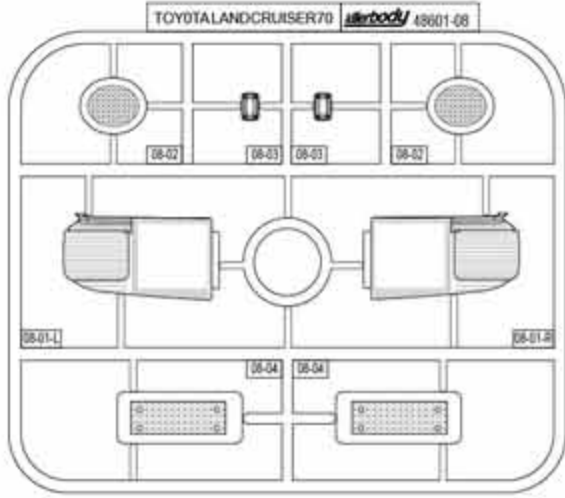
I Chromed parts
48601-07



J Plastic glass
48601-08

K PC window

L PC dashboard



<Right>

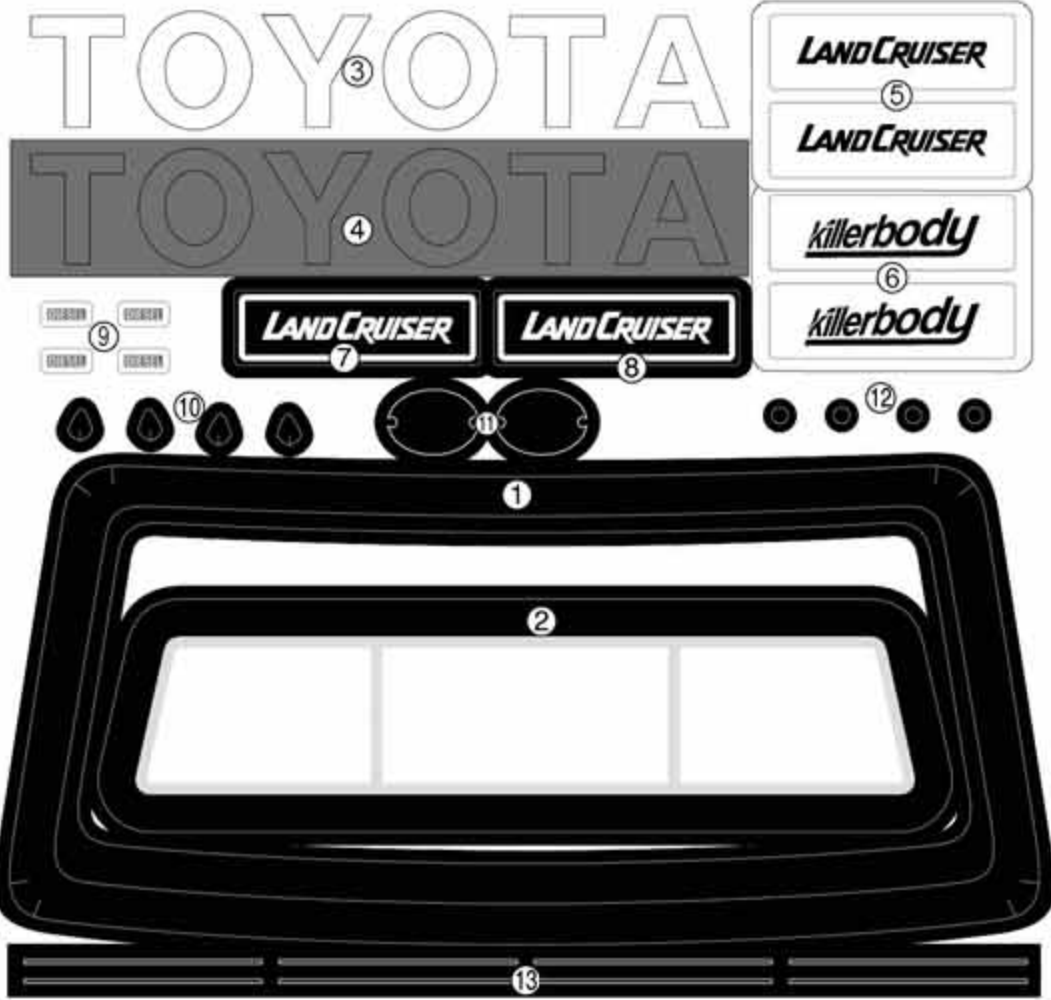


<Left>



DECAL

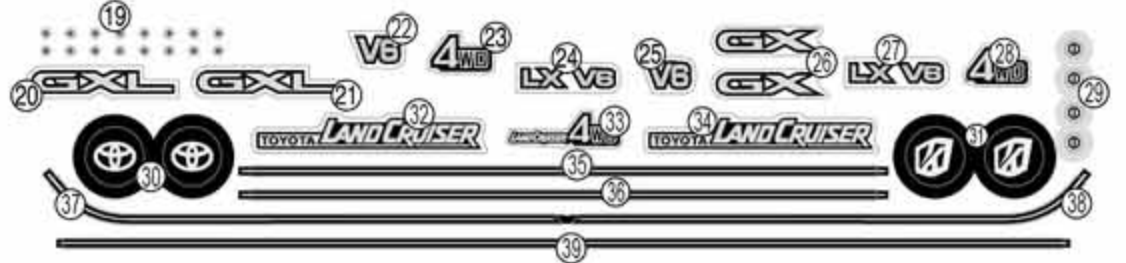
Body decal sheet



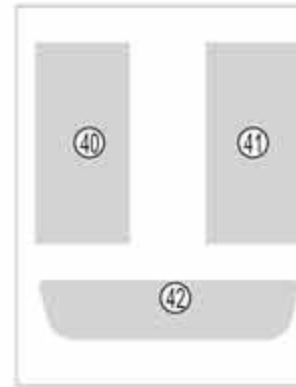
Dashboard decal sheet



Gilt decorative decal



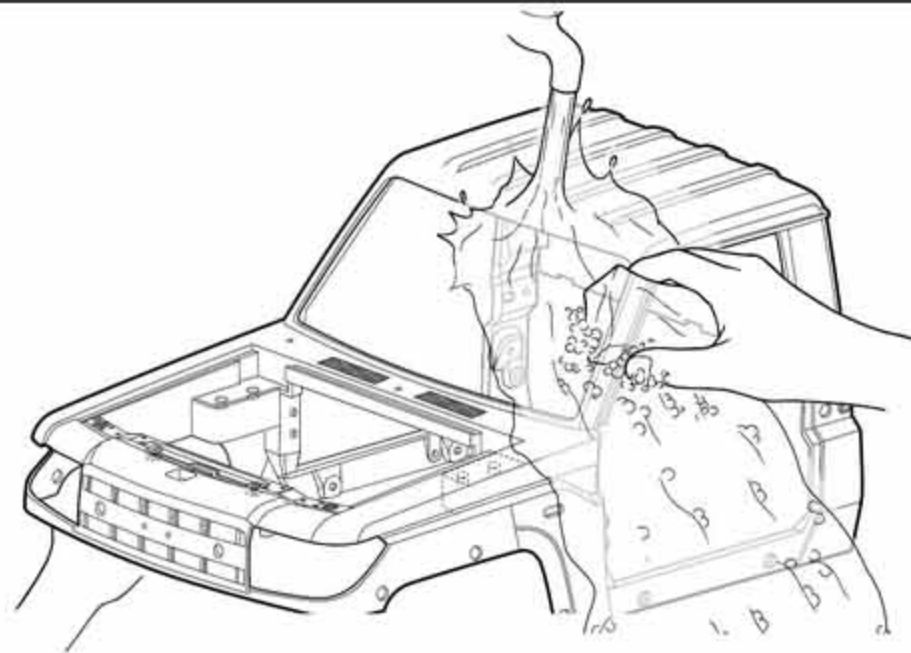
Silver mirror decal



1 Cleaning

Use a neutral detergent to remove any oil residues and dirt.

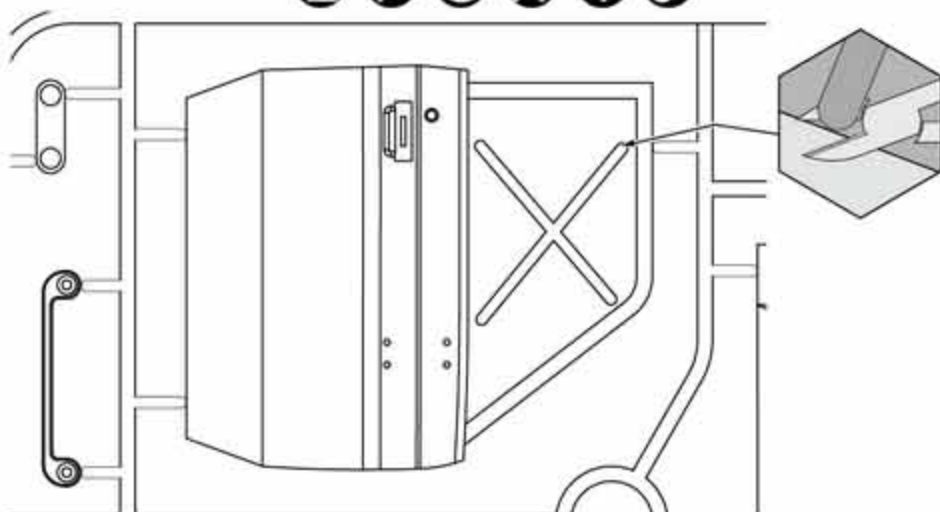
- A B C D E F**
- G H I J K L**



2 Cutting

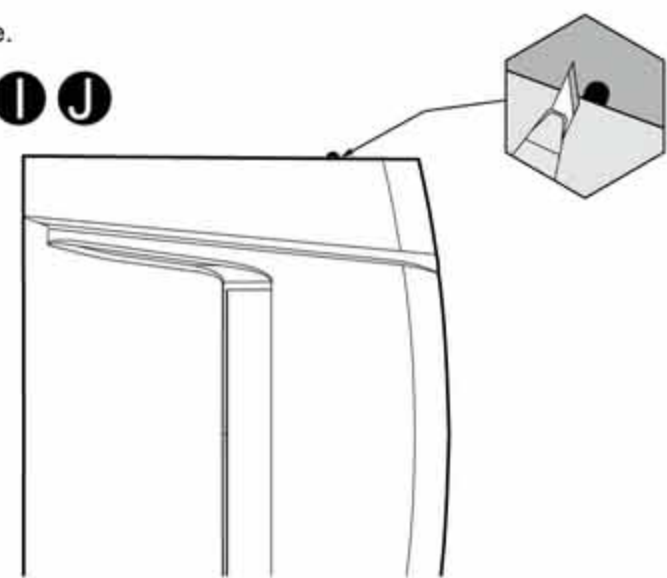
1 Remove.

- E F G H I J**



2 Smooth rough edge.

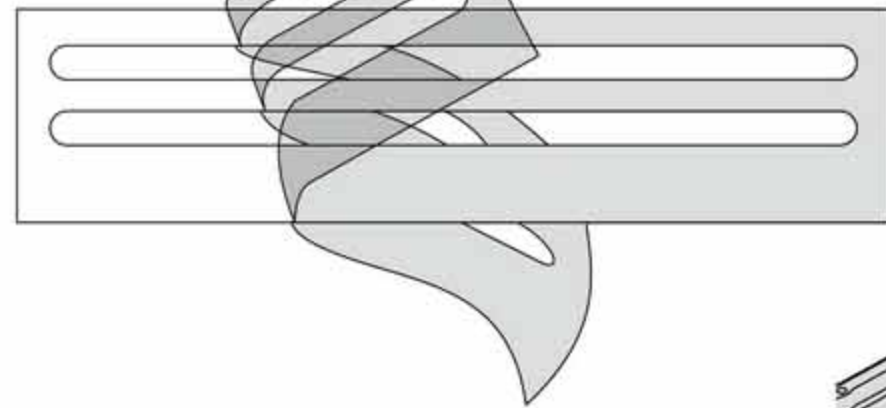
- E F G H I J**



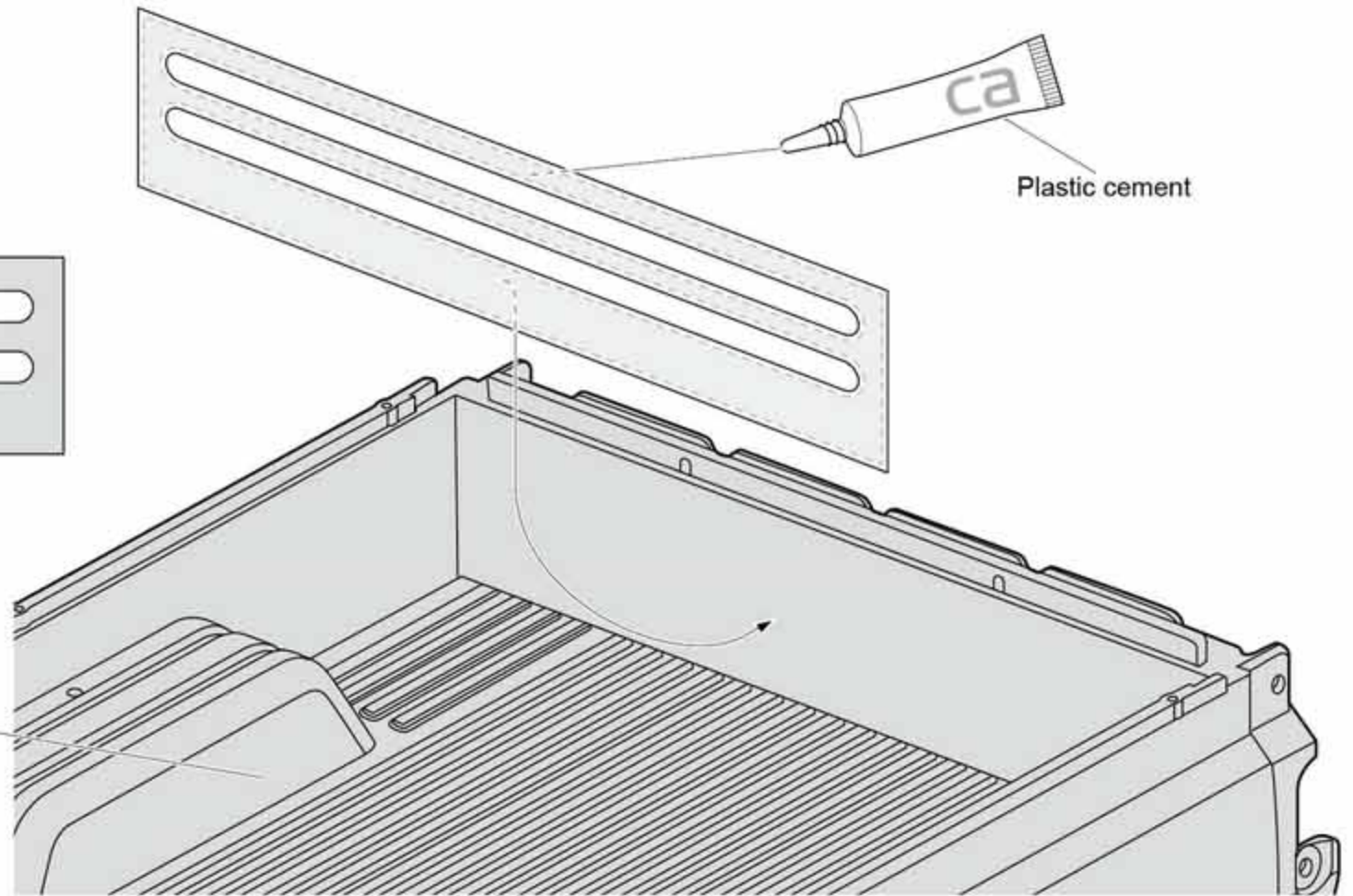
3 Assembling

1 Remove the protective film from double sides.

D



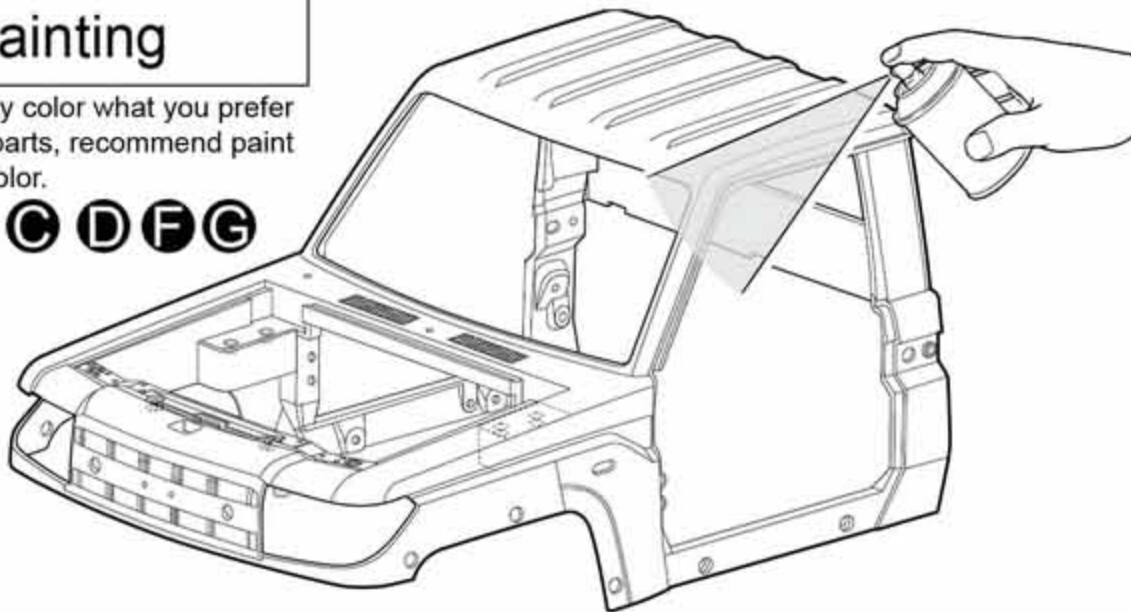
B



4 Painting

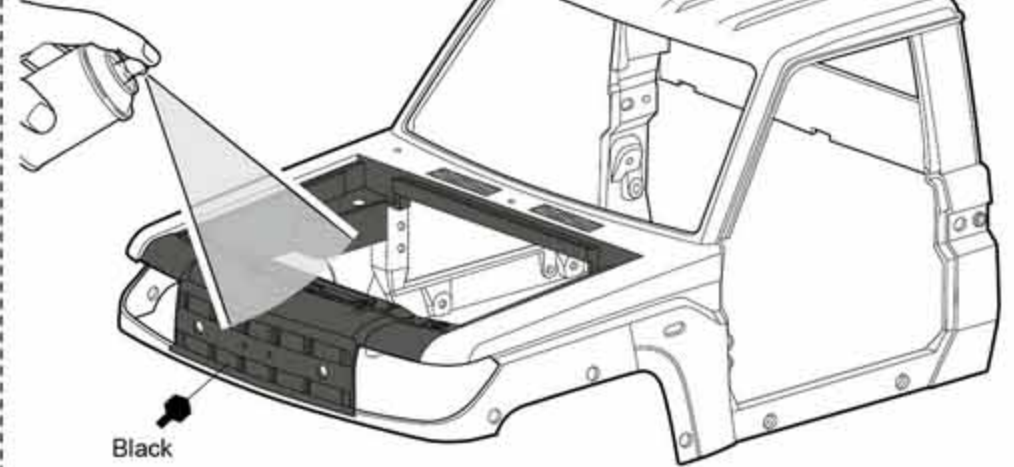
Paint spray color what you prefer on these parts, recommend paint in same color.

A B C D F G



A

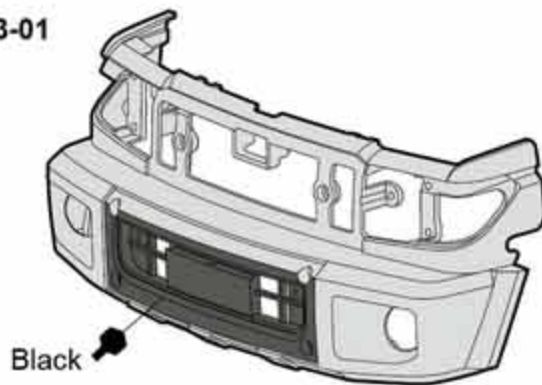
Black spray color



Black

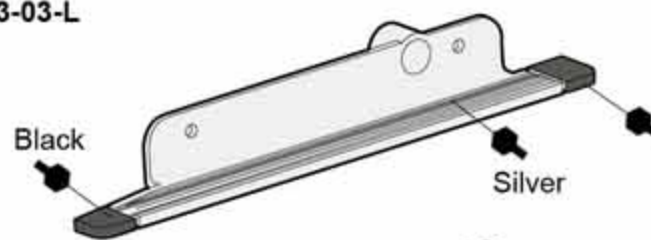
E Tips as shown in the figure:
The whole painted in dark silver grey;
The part painted in silver and black.

03-01



Black

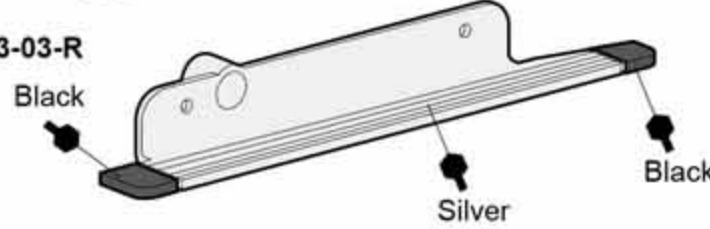
03-03-L



Black

Silver

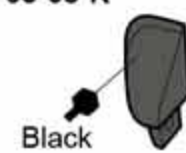
03-03-R



Black

Silver

03-05-R



Black

03-05-L



Black

F 04-05



Black

5 Assembling

Screw 2.3X5mm

----- X4

Screw 2.3X6mm

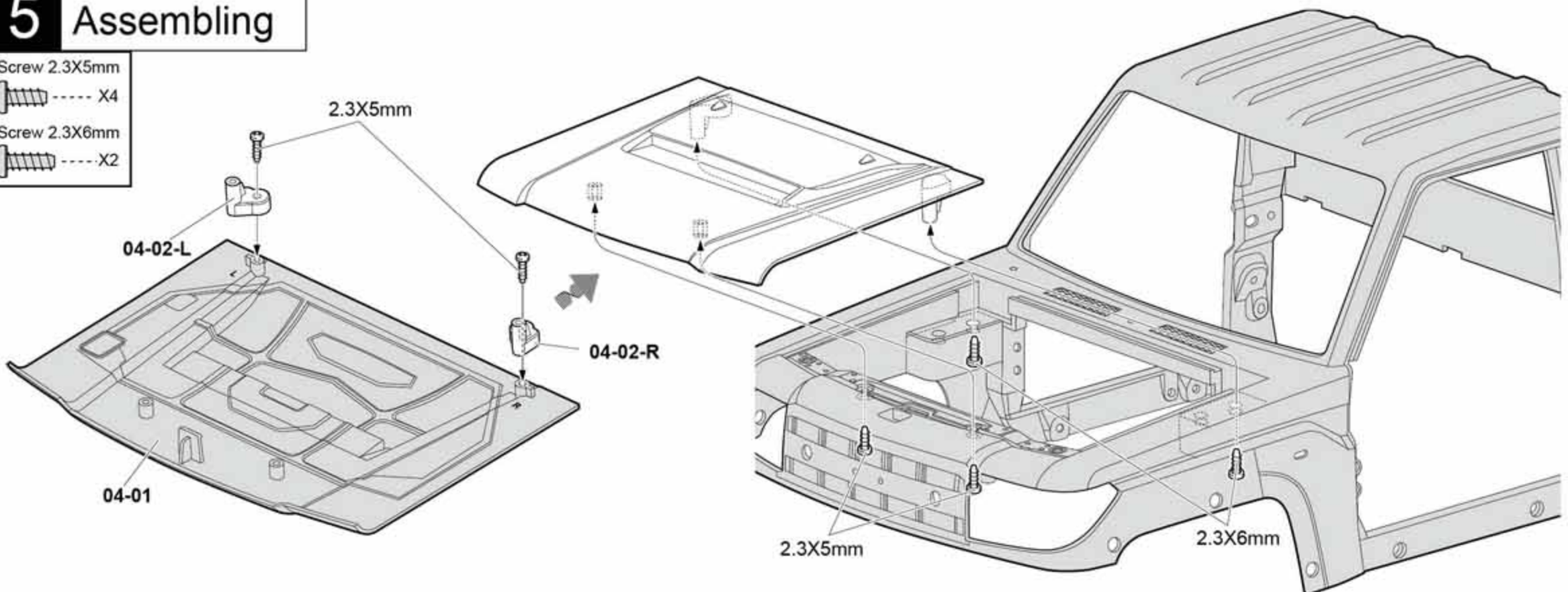
----- X2

2.3X5mm

04-02-L

04-02-R

04-01



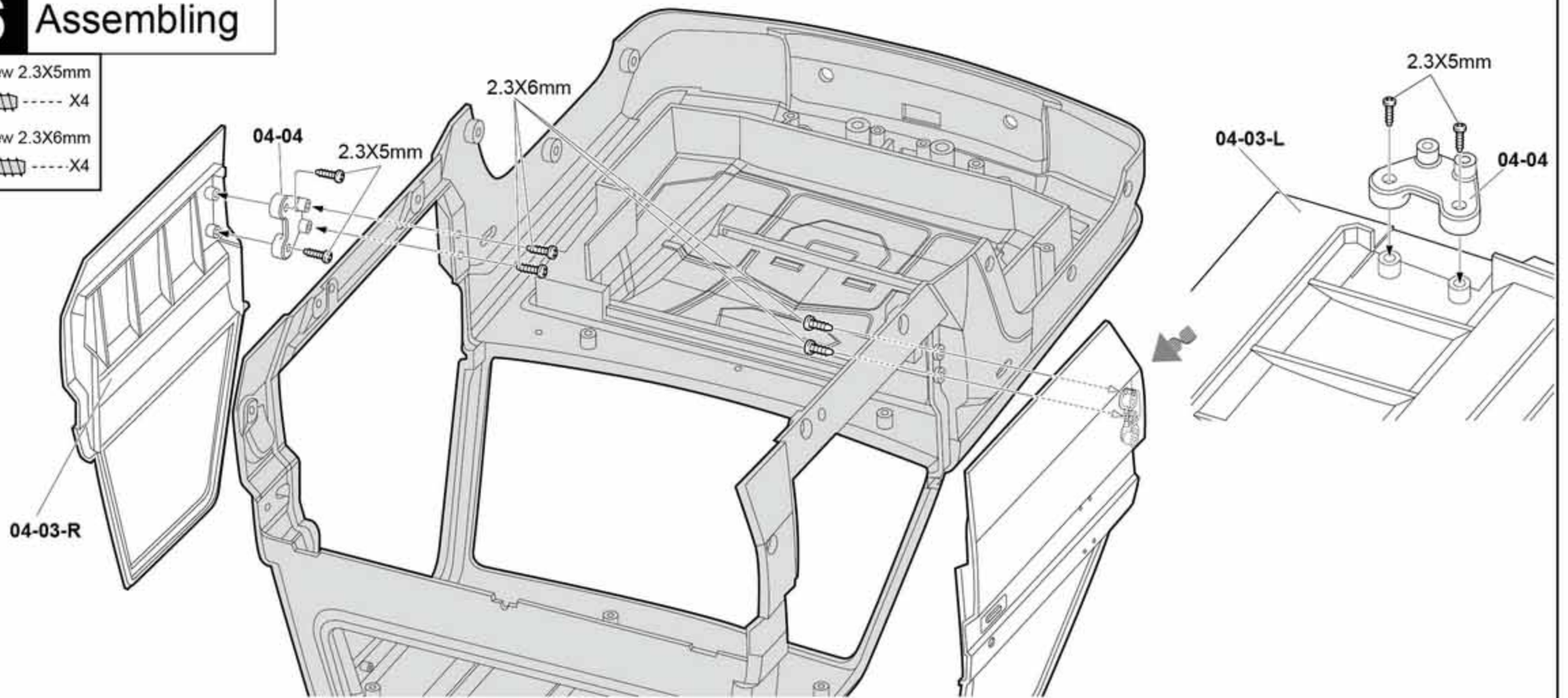
6 Assembling

Screw 2.3X5mm

----- X4

Screw 2.3X6mm

----- X4



7 Assembling

Screw 2.3X5mm

----- X4

Flange screw 2.3X5X6mm

----- X1

Tapping screw 1.4X4mm

----- X4

Tapping screw 1.4X6mm

----- X3

Nut 2.6X1.4mm

----- X3

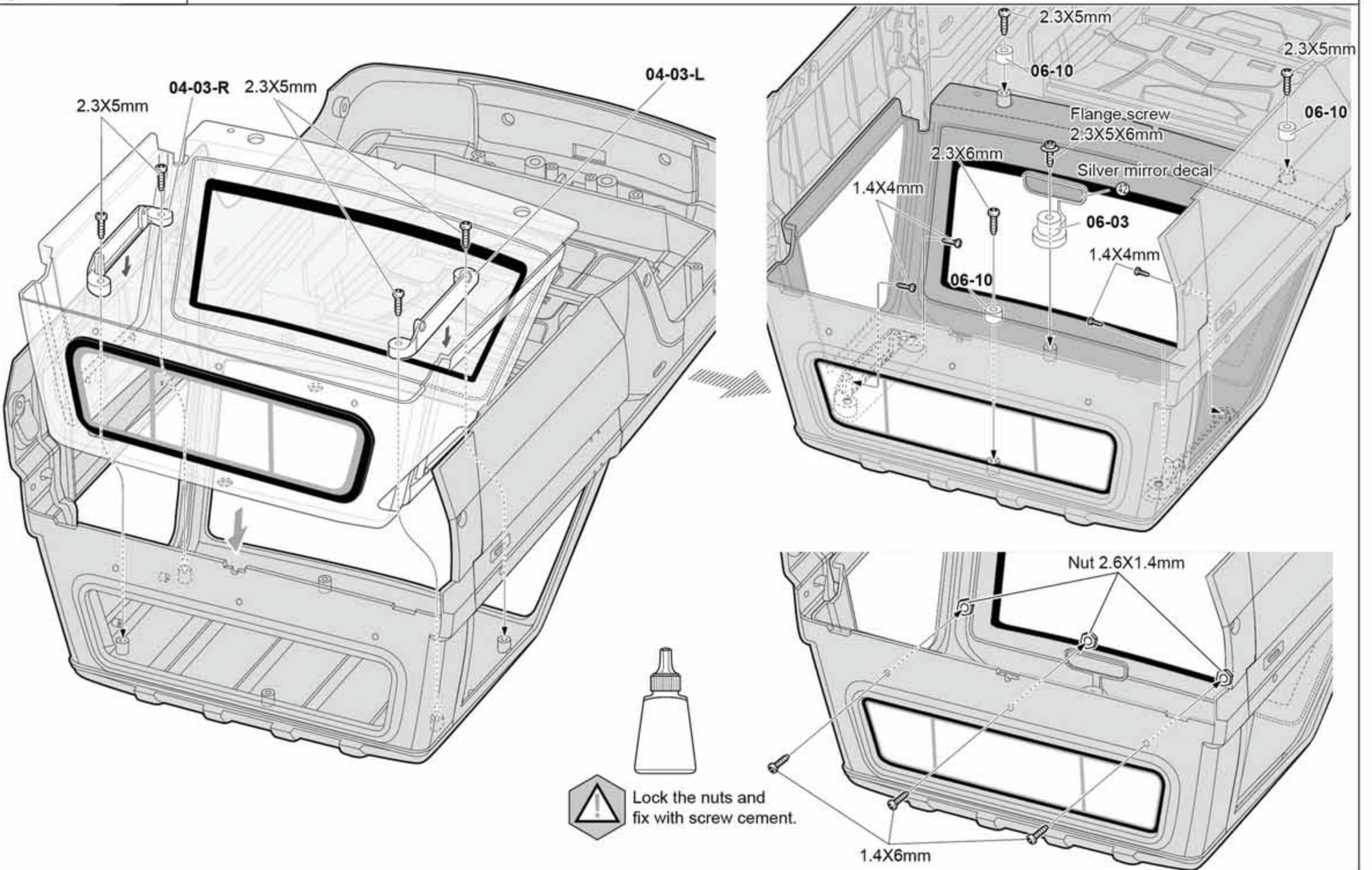
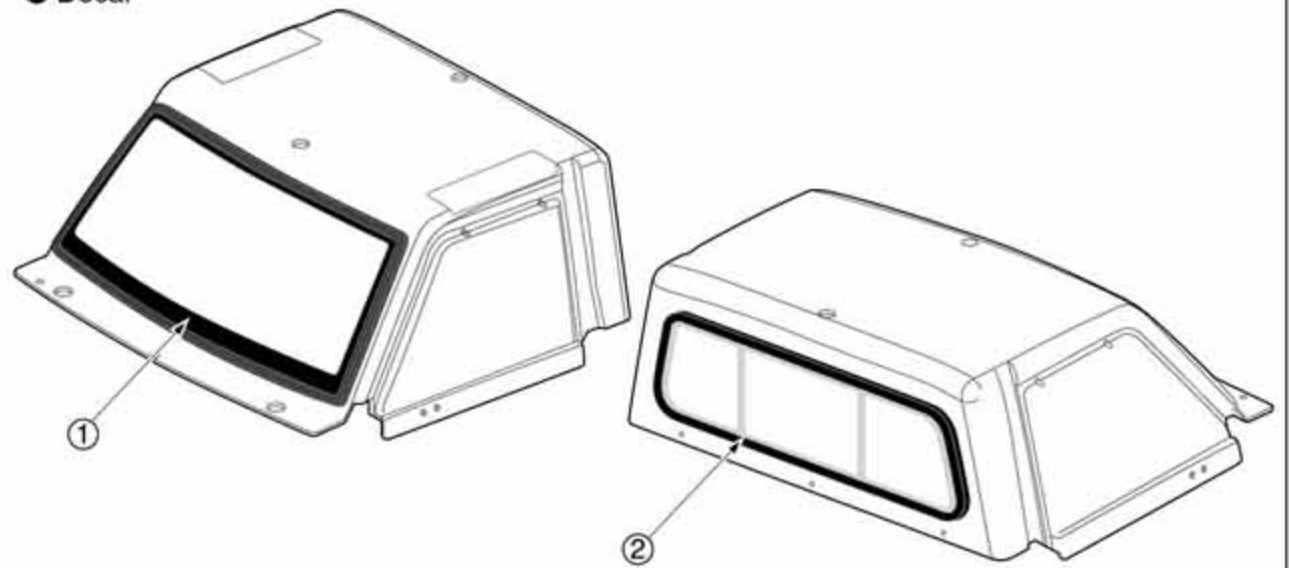
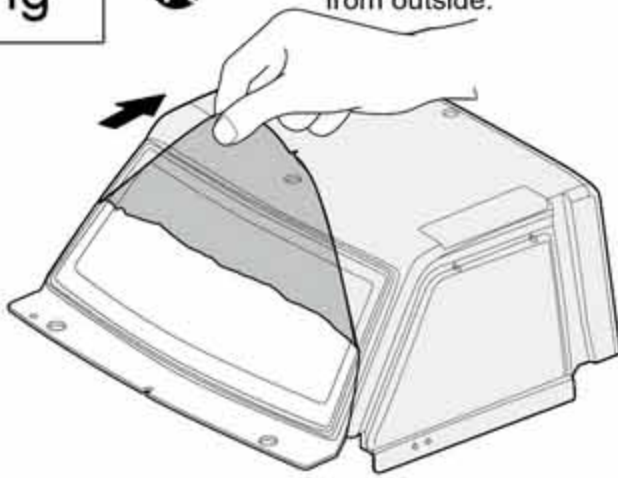
Screw 2.3X6mm

----- X1



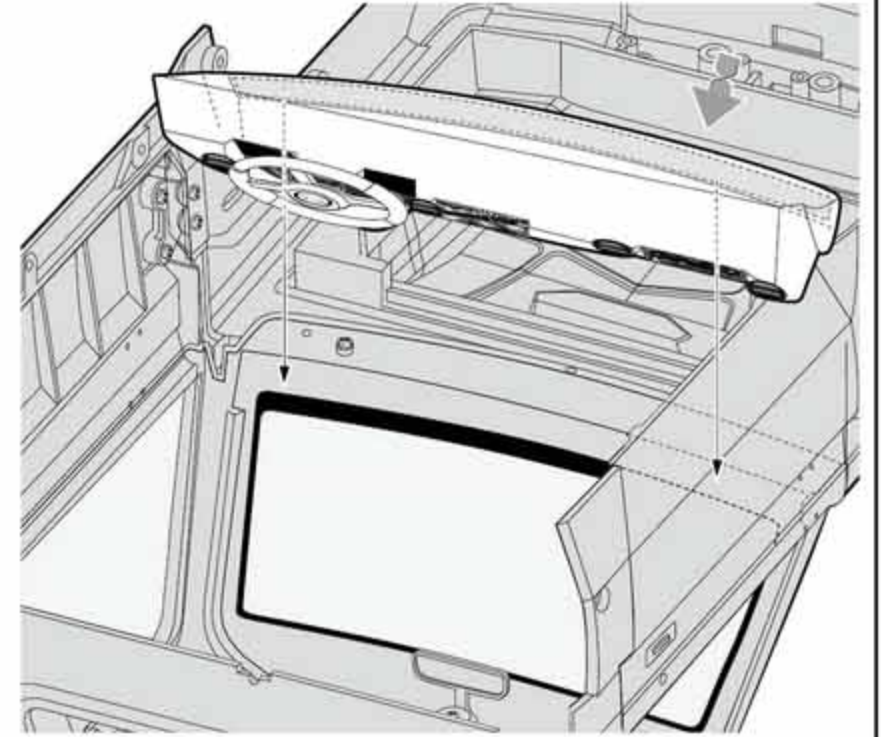
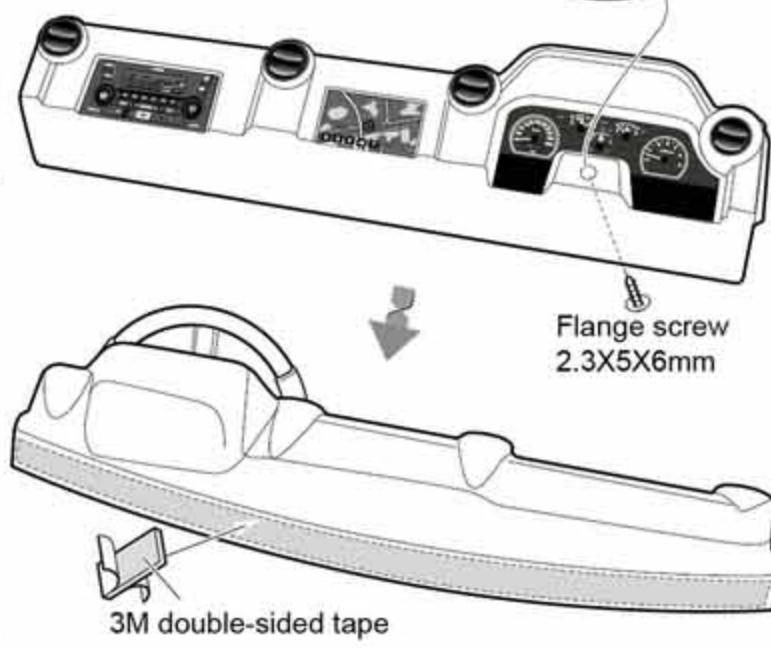
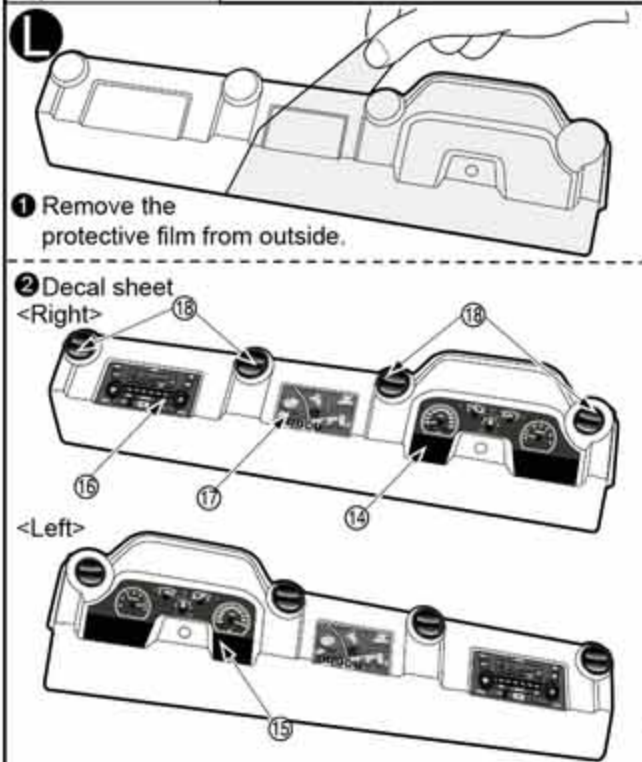
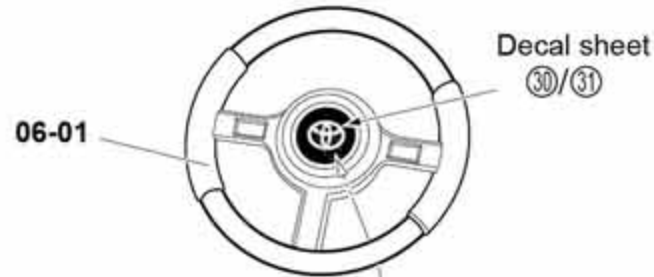
1 Remove the protective film from outside.

2 Decal



8 Assembling

Flange screw
2.3X5X6mm
-----X1



9 Assembling

Screw 2.3X5mm
-----X4

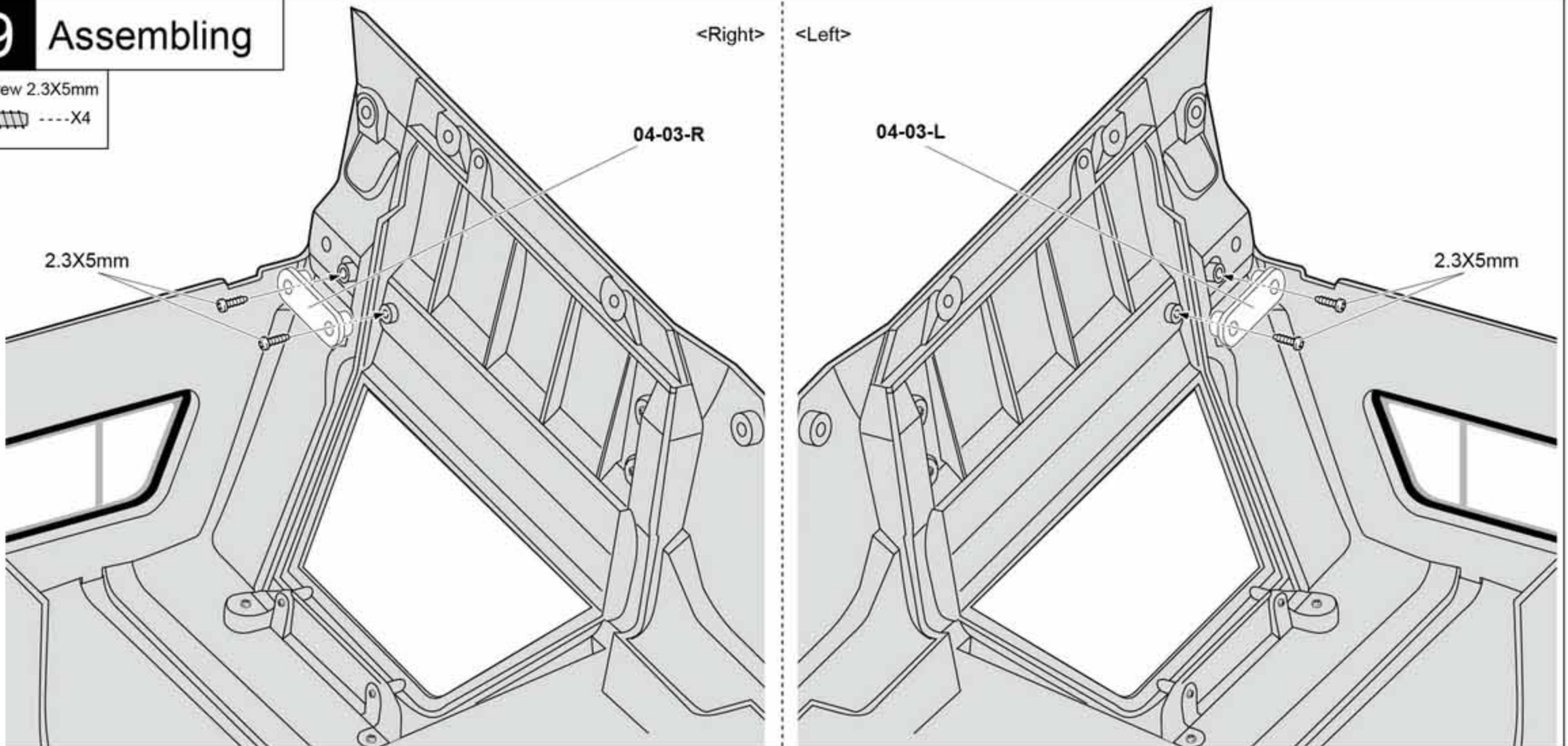
<Right> <Left>

04-03-R

04-03-L

2.3X5mm

2.3X5mm



10 Assembling

Screw 2.3X6mm
-----X10

2.3X6mm

2.3X6mm

07-04-R

08-02

07-05-L

2.3X6mm

08-02

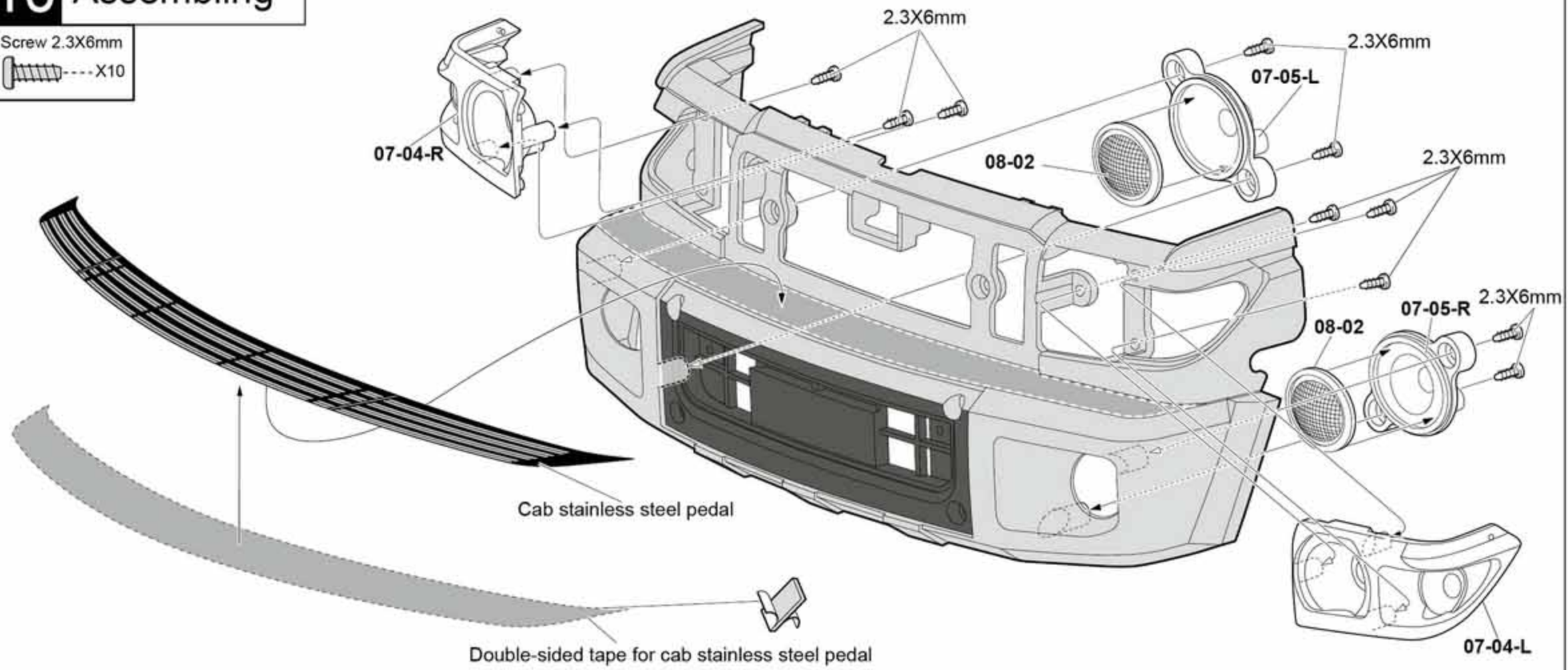
07-05-R

2.3X6mm

Cab stainless steel pedal

Double-sided tape for cab stainless steel pedal

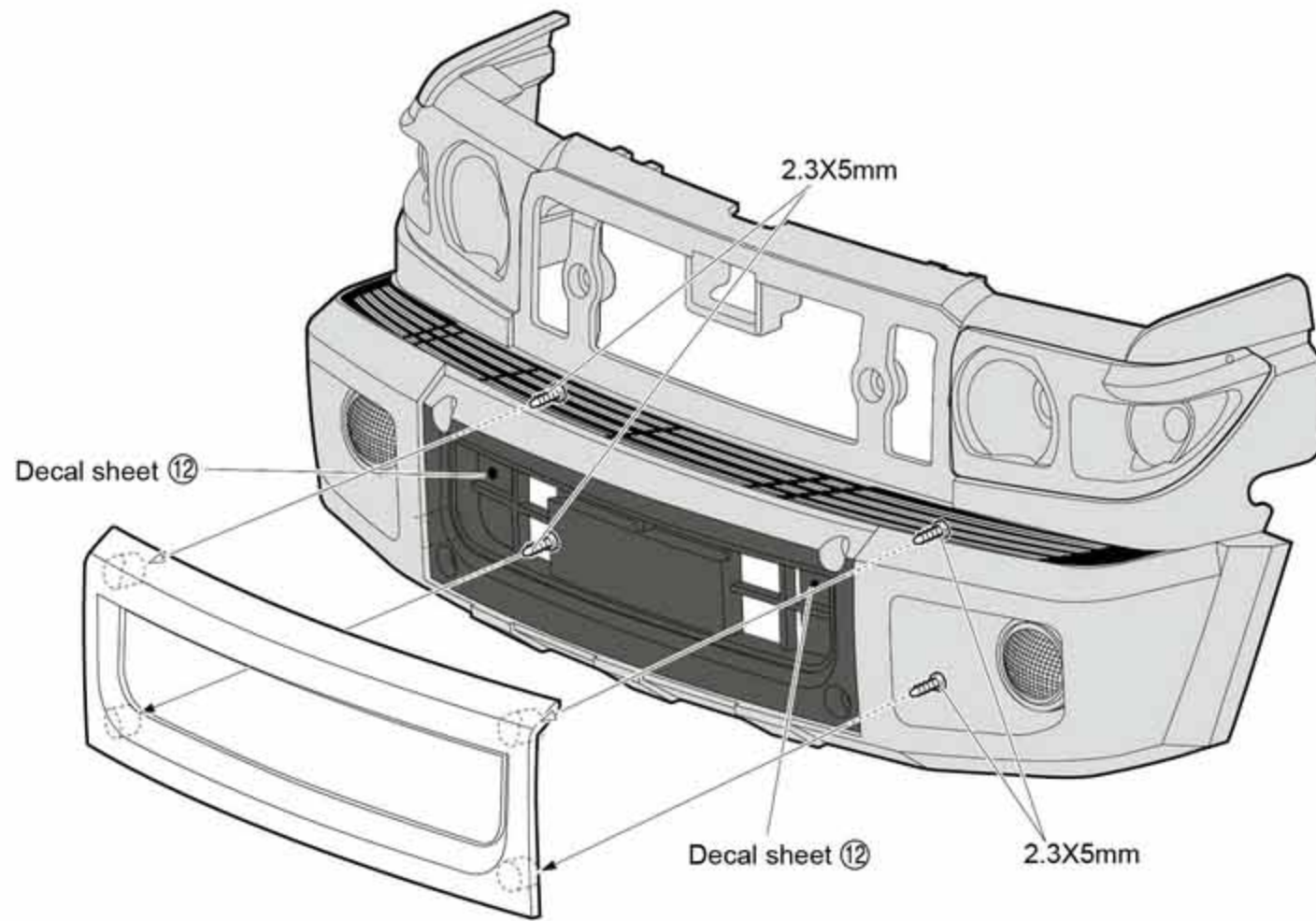
07-04-L



11 Assembling

Screw 2.3X5mm

X4



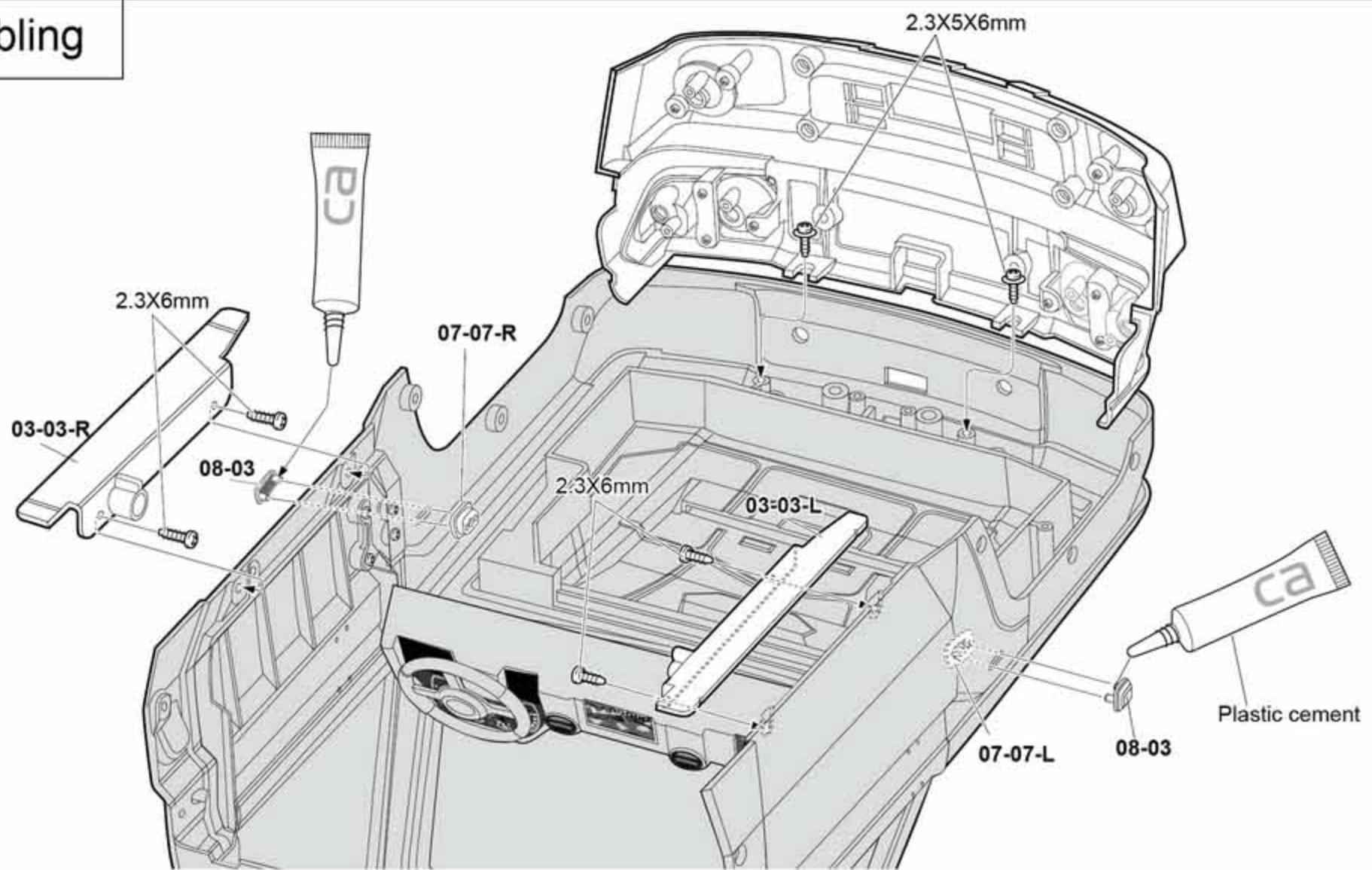
12 Assembling

Screw 2.3X6mm

X4

Flange screw 2.3X5X6mm

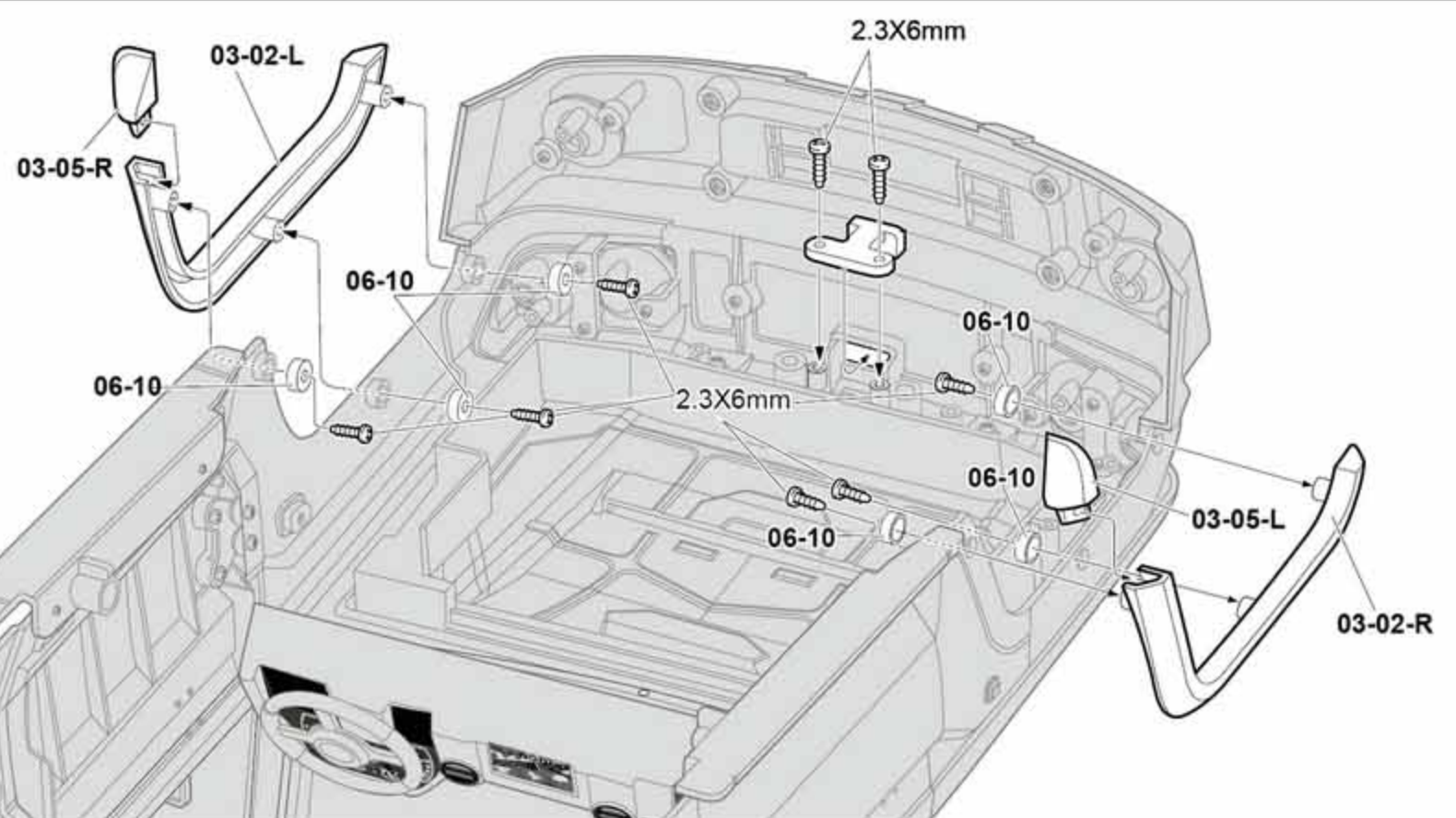
X2



13 Assembling

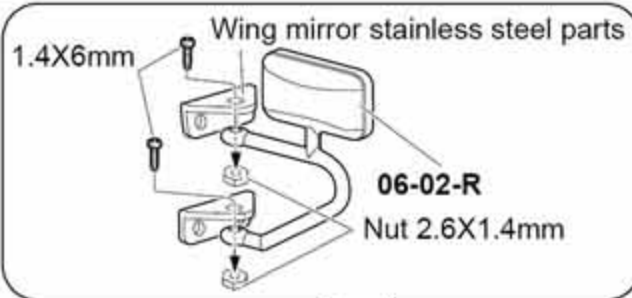
Screw 2.3X6mm

X8

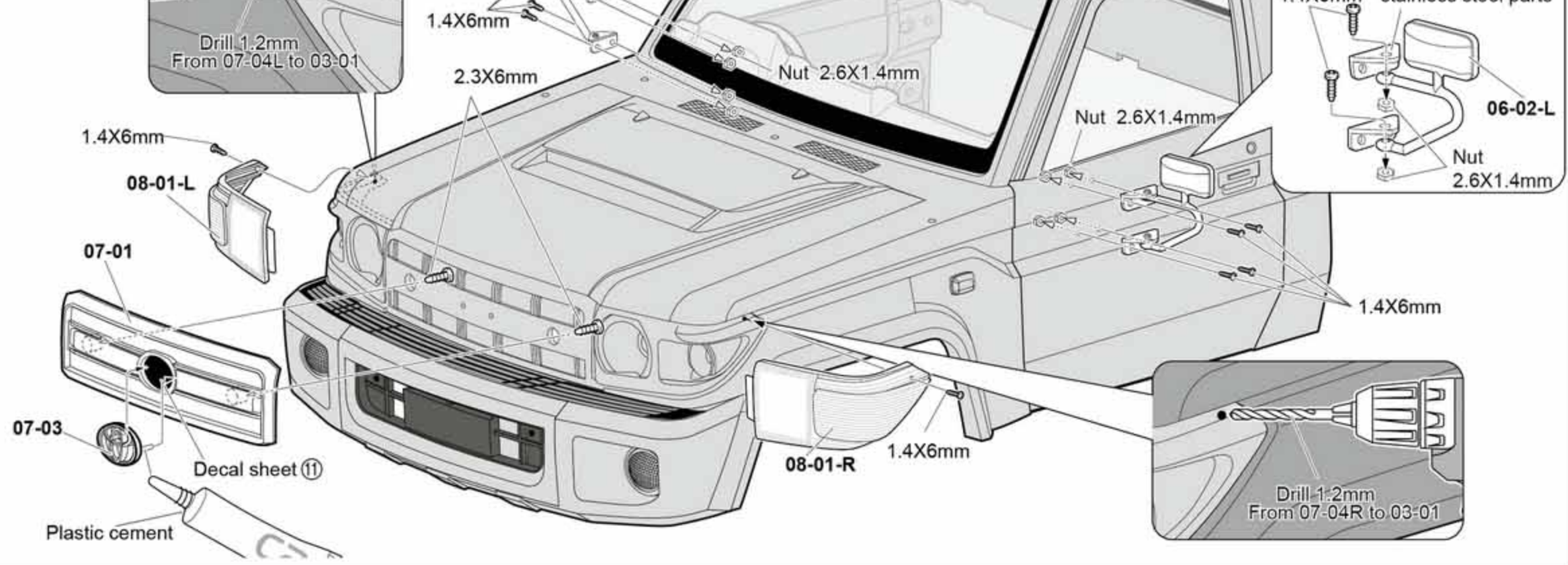
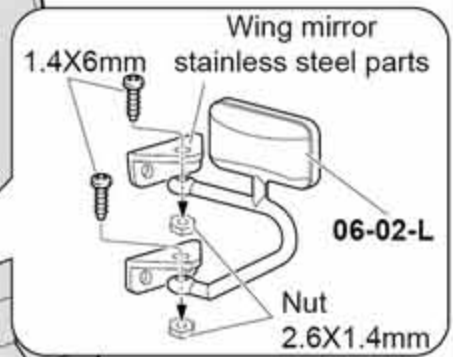
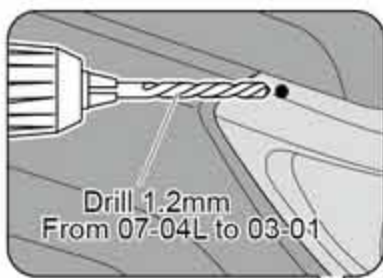


14 Assembling

- Tapping screw 1.4X6mm
 X14
- Nut 2.6X1.4mm
 X12
- Screw 2.3X6mm
 X2



Lock the nuts and fix with screw cement.



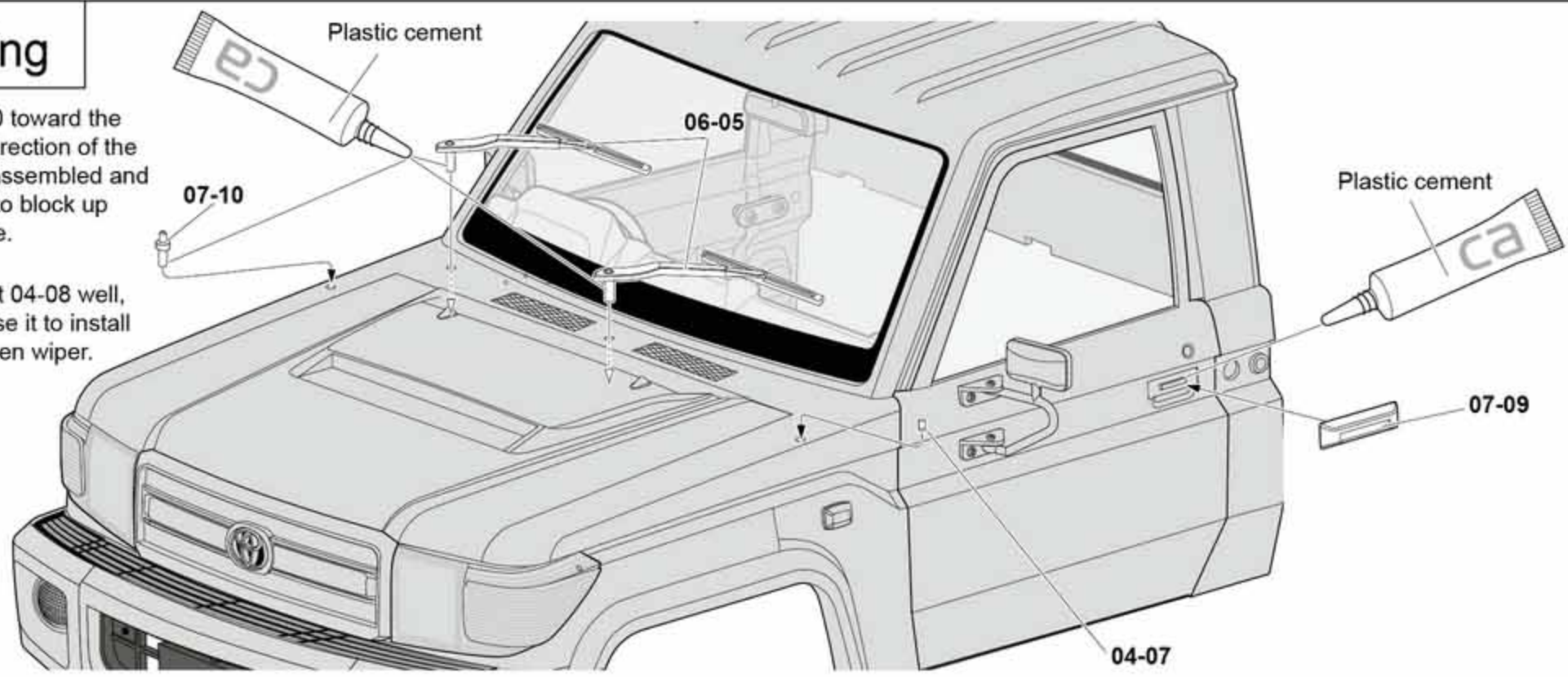
15 Assembling



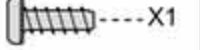

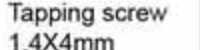
Install Part 07-10 toward the corresponding direction of the dashboard you assembled and plug Part 04-07 to block up another side hole.

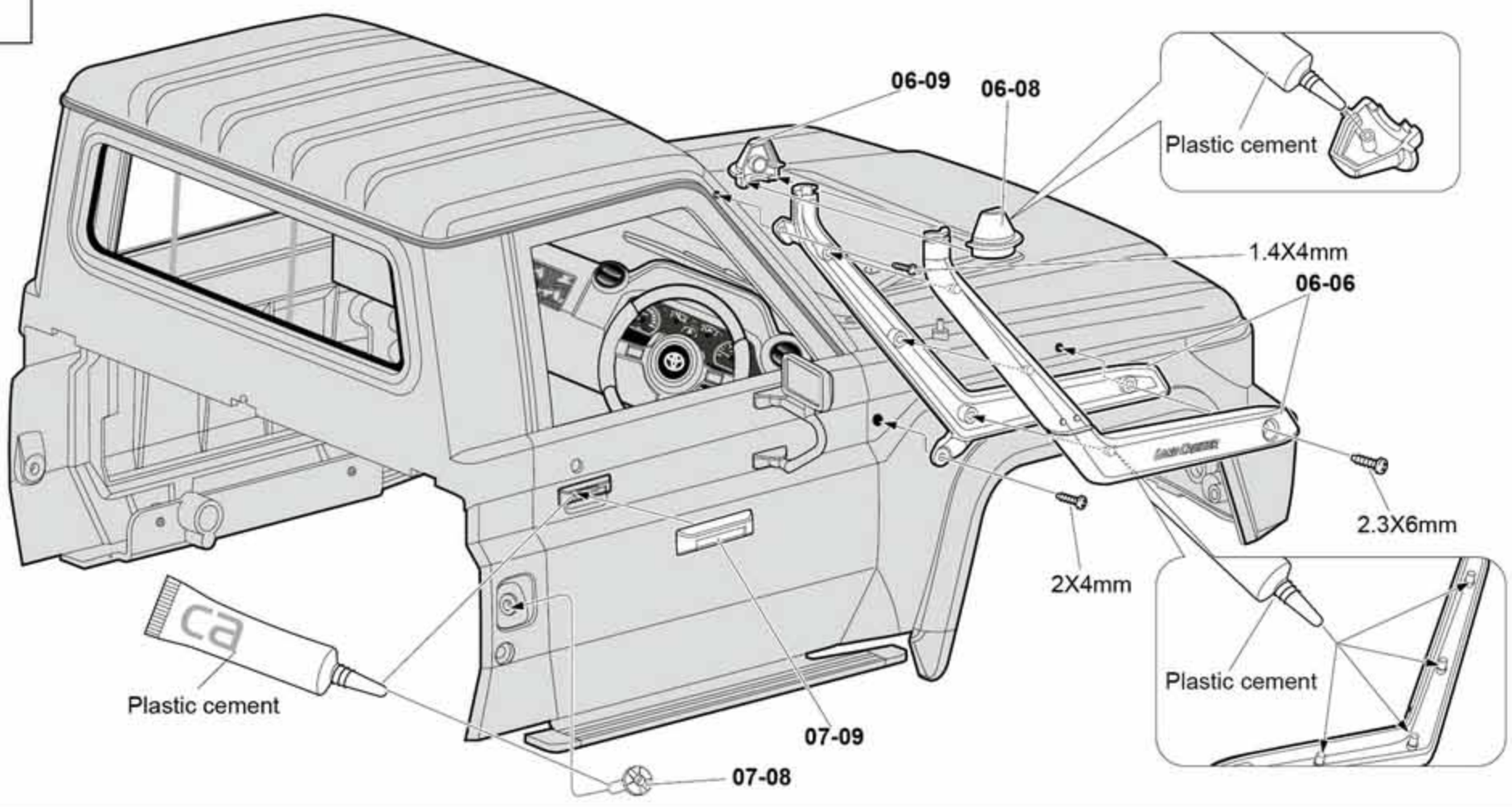


Please keep Part 04-08 well, which you can use it to install electric windscreen wiper.

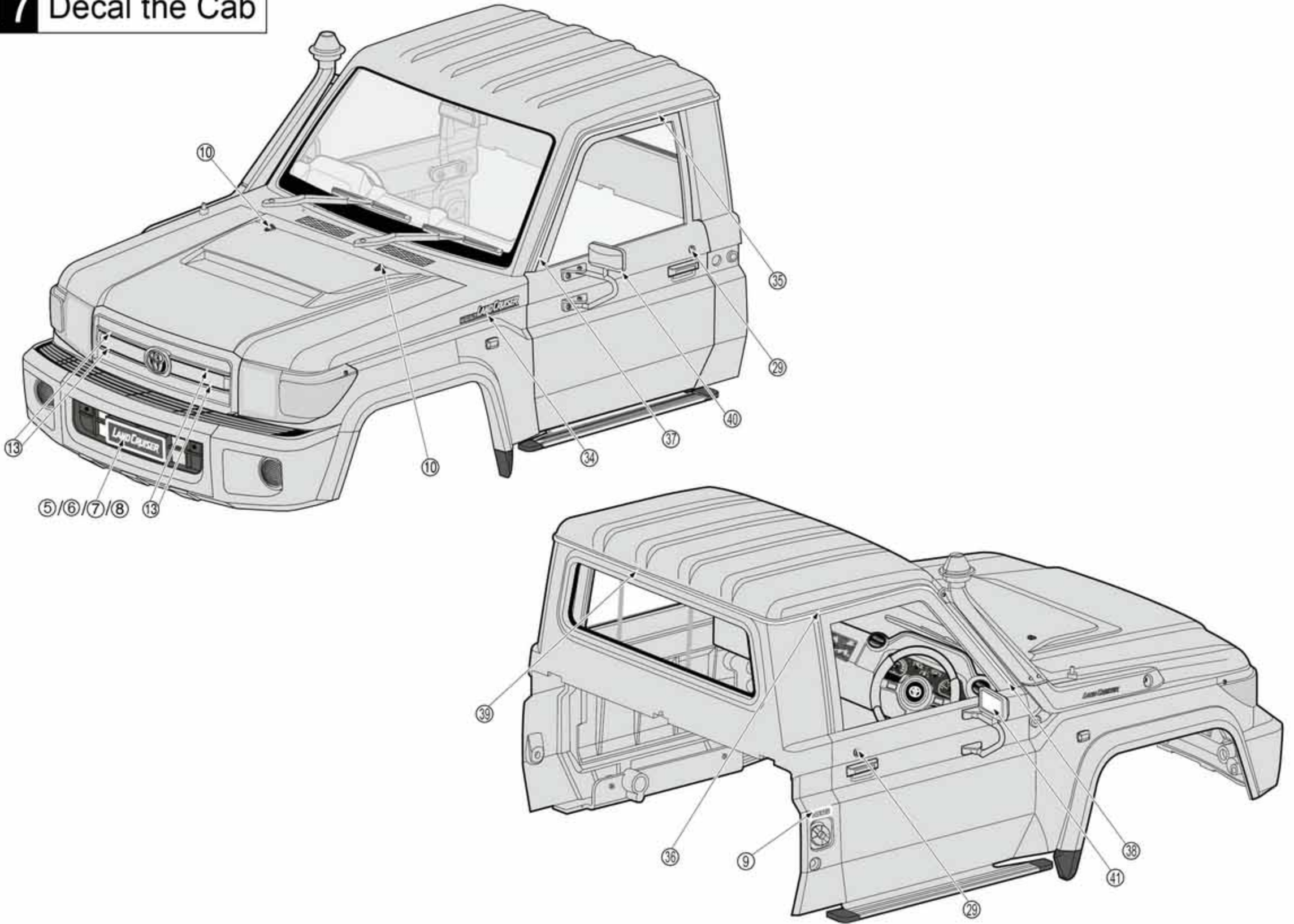


16 Assembling

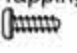
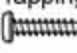
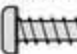
- Screw 2.3X6mm
 X1
- Screw 2X4mm
 X1
- Tapping screw 1.4X4mm
 X1

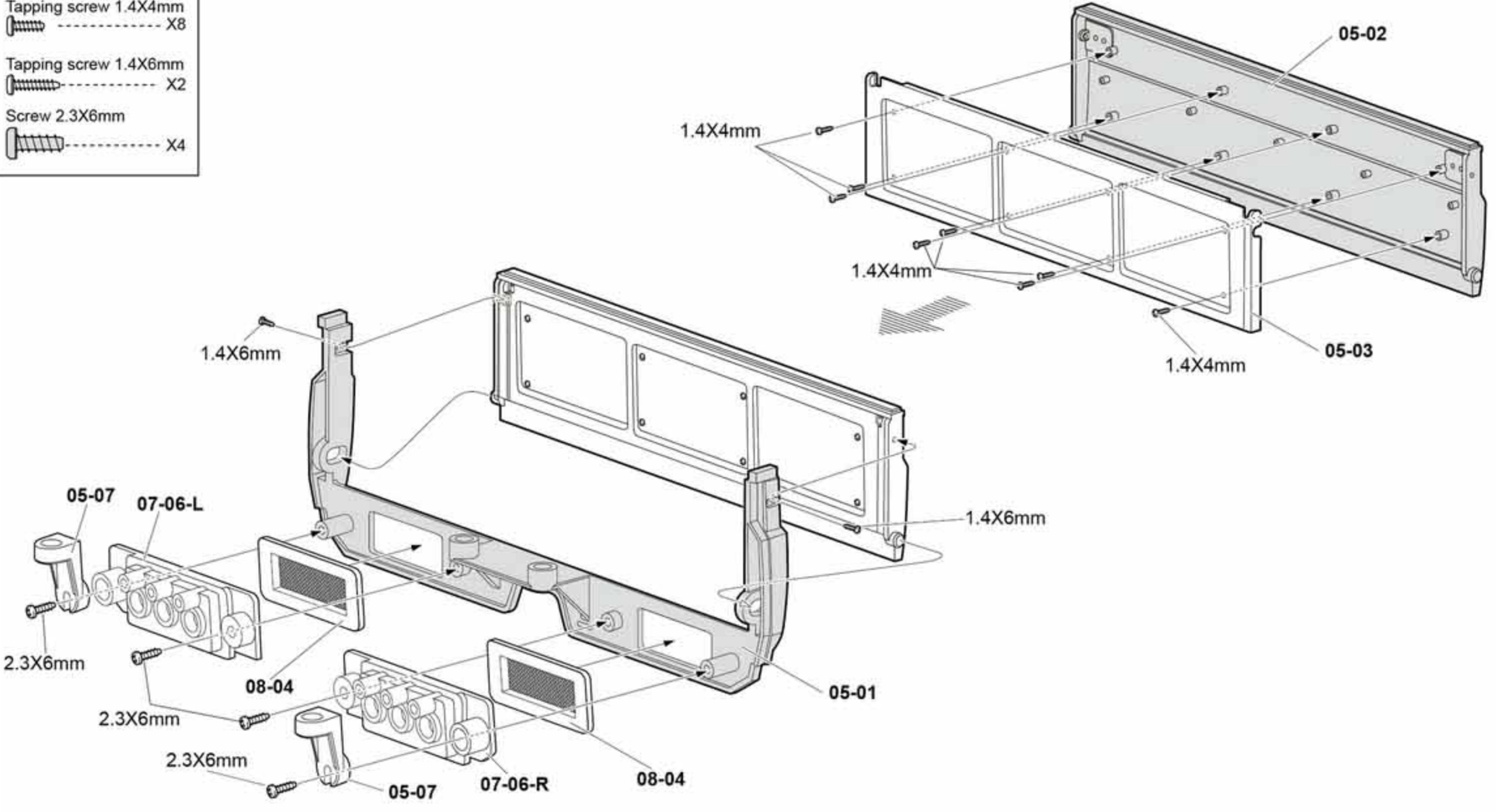


17 Decal the Cab



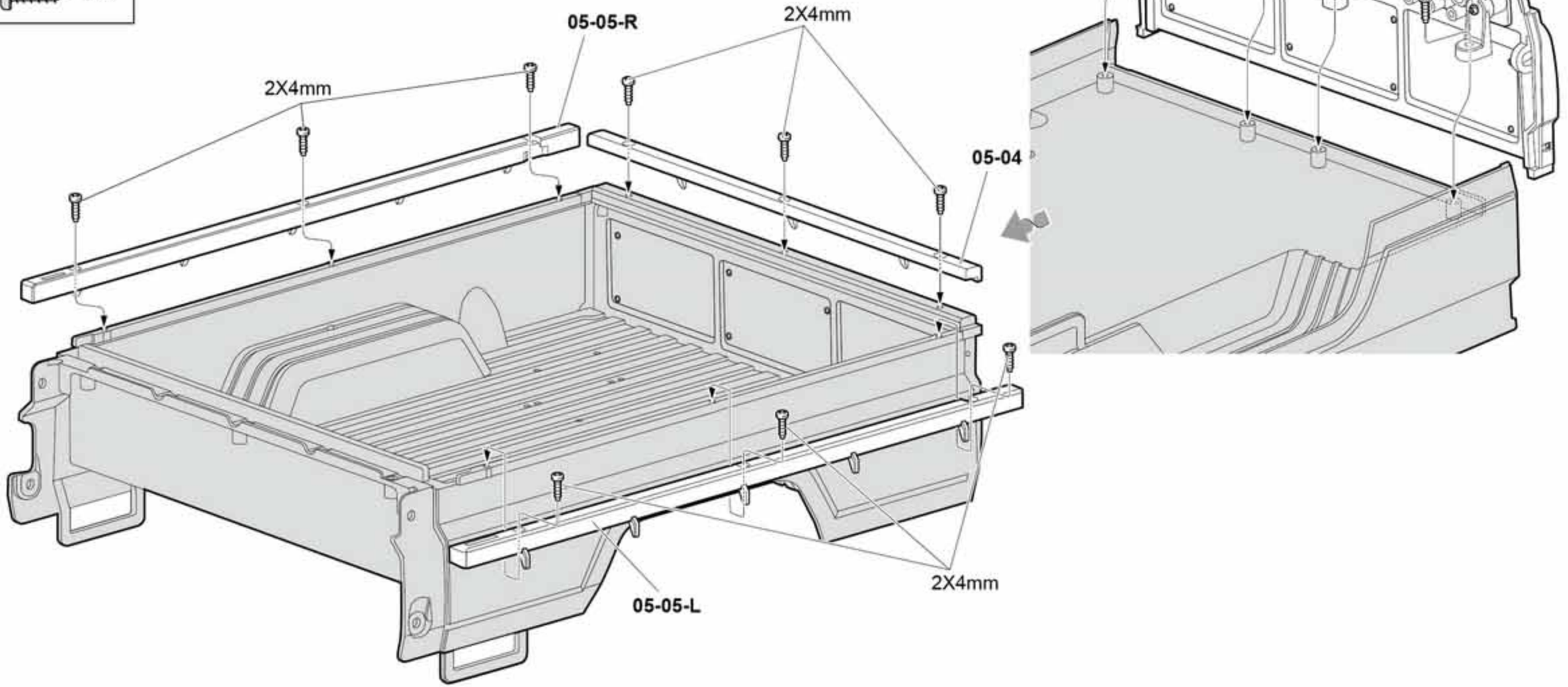
18 Assembling

- Tapping screw 1.4X4mm
 ----- X8
- Tapping screw 1.4X6mm
 ----- X2
- Screw 2.3X6mm
 ----- X4

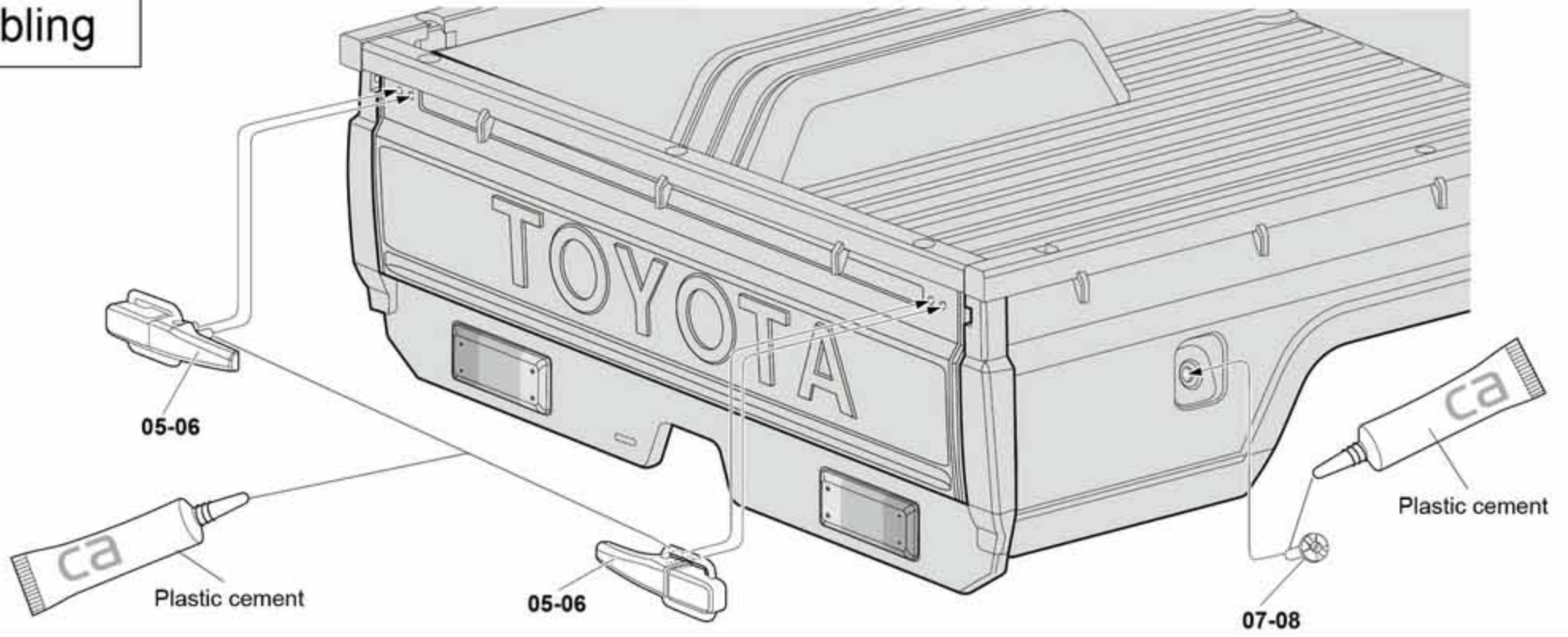


19 Assembling

- Screw 2X4mm
-----X9
- Screw 2.3X6mm
-----X4

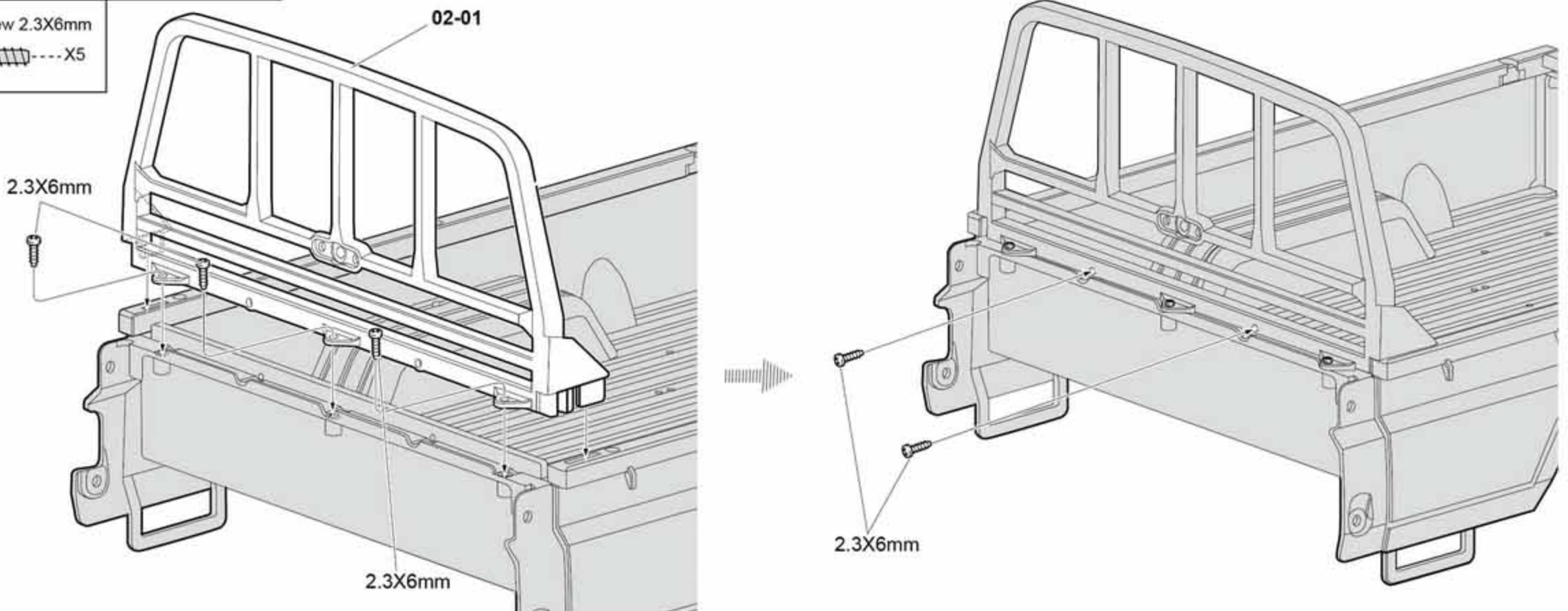


20 Assembling

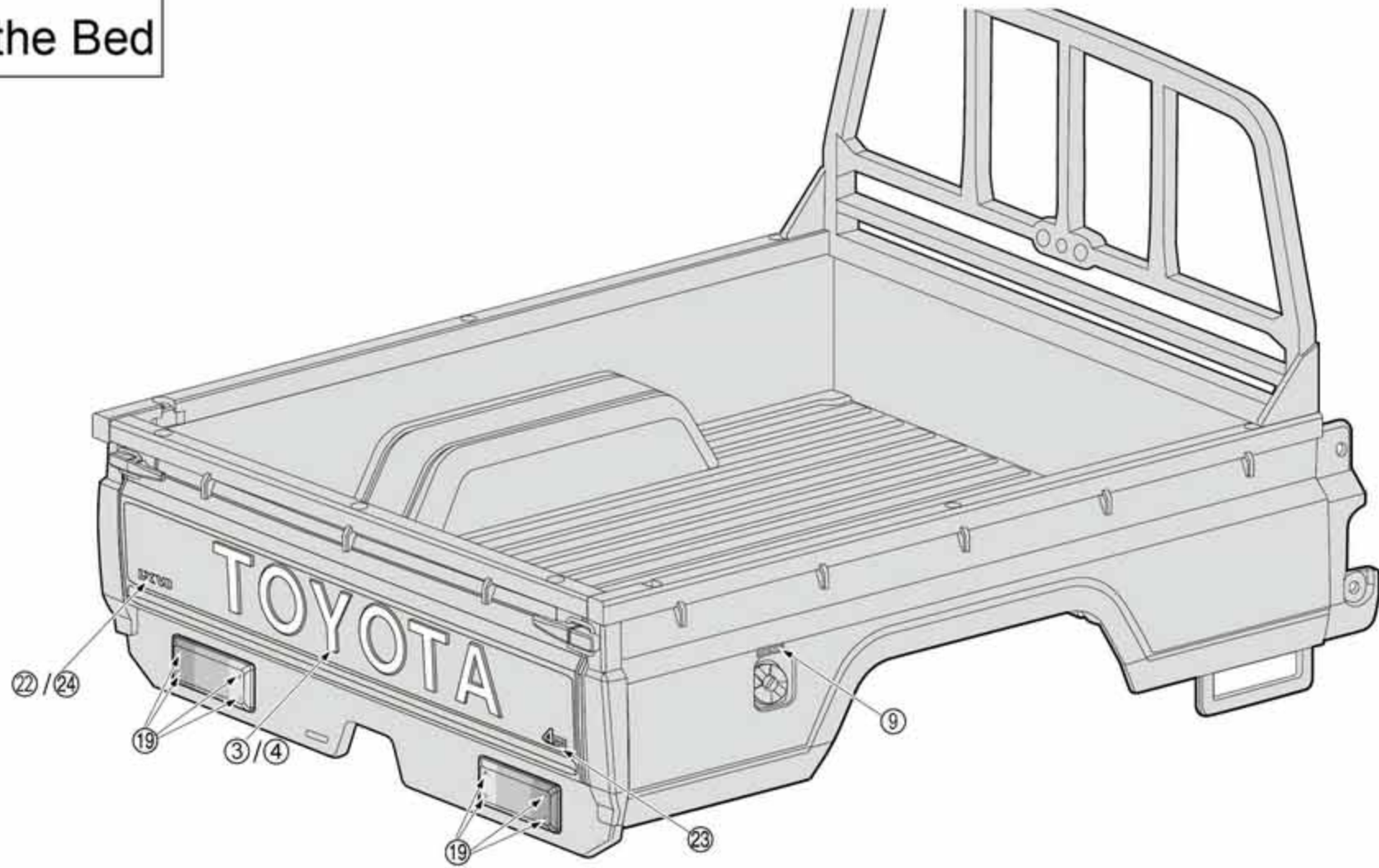


21 Assembling

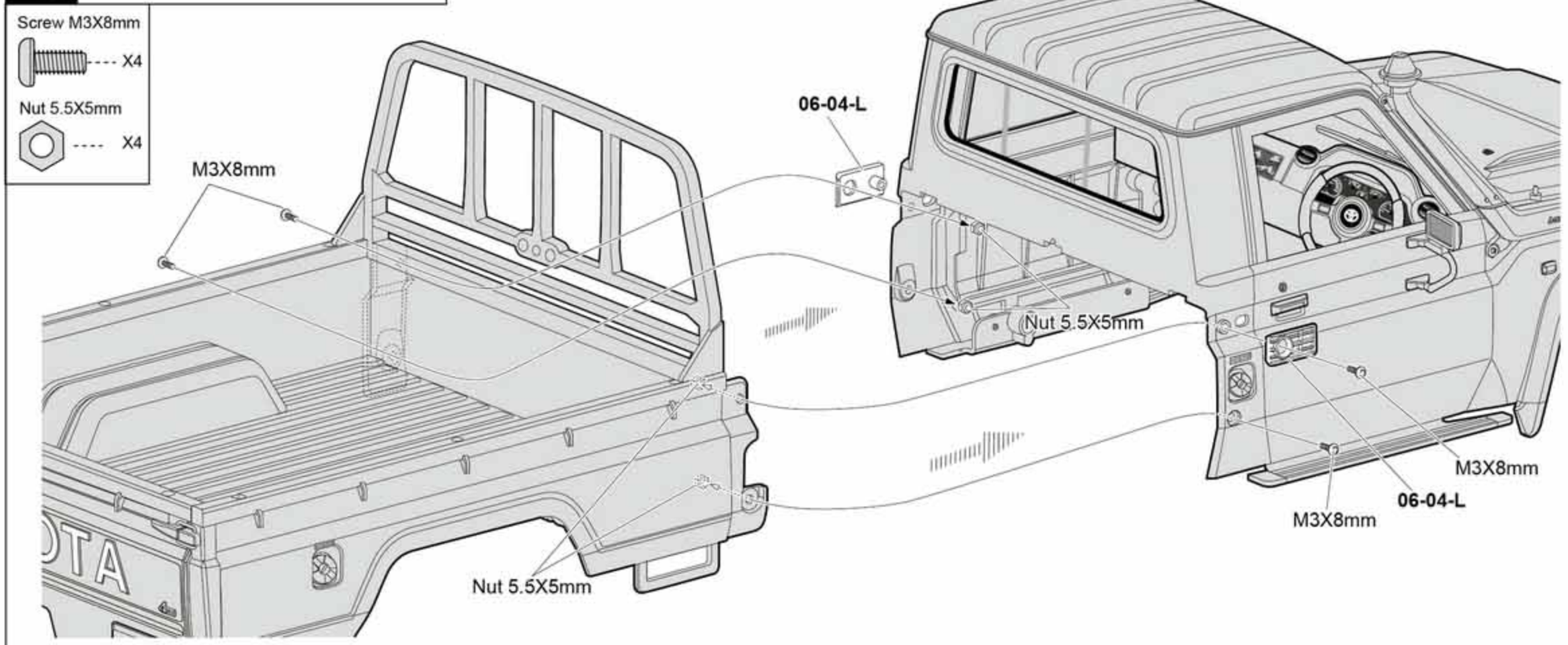
- Screw 2.3X6mm
-----X5



22 Decal the Bed



23 Connect Cab to Bed



24 Assembling

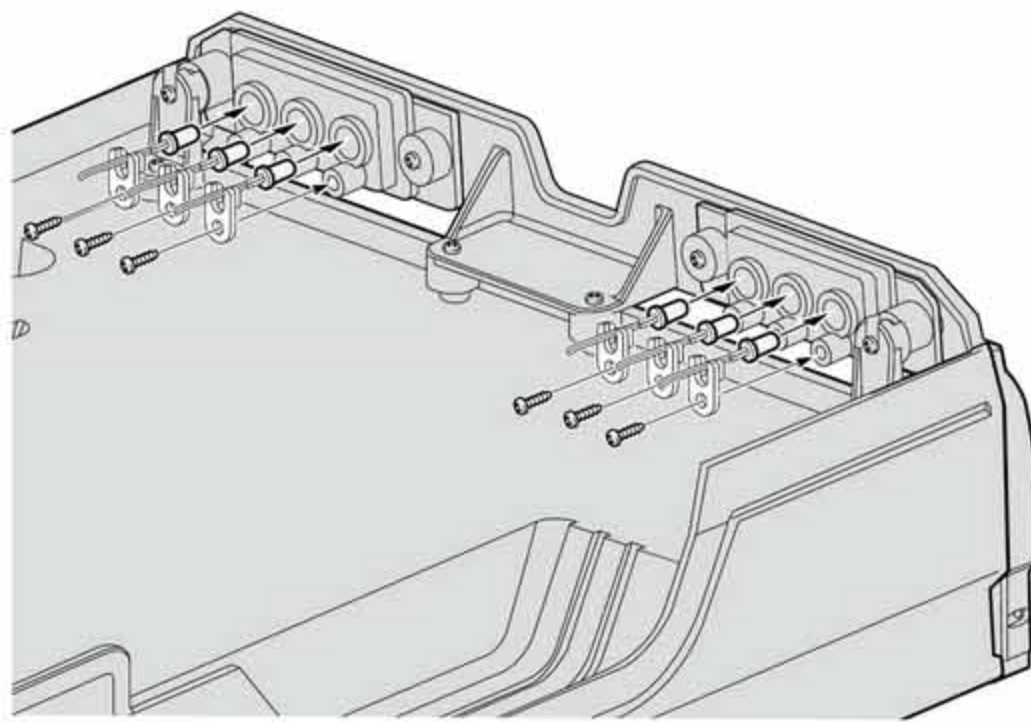
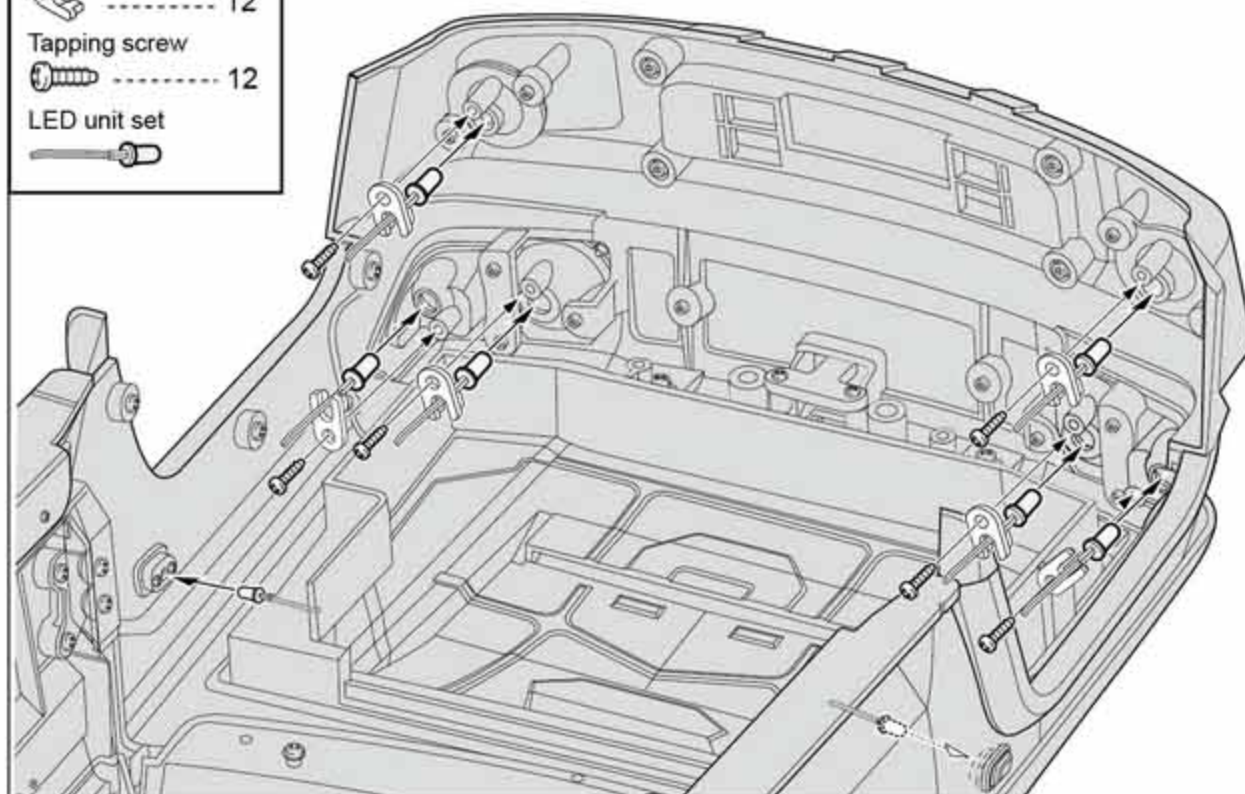


NO.48625

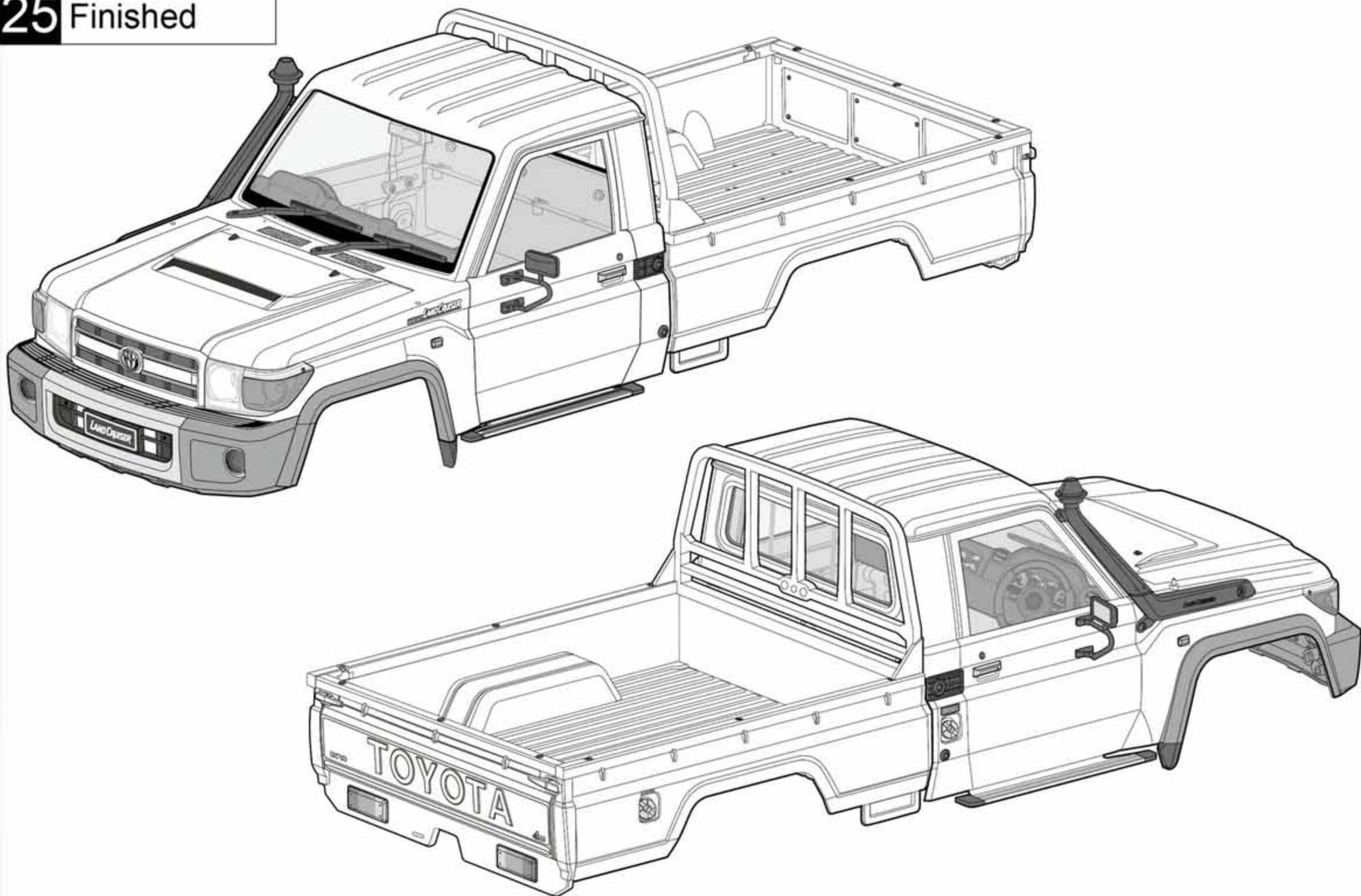
<Front>

<Rear>

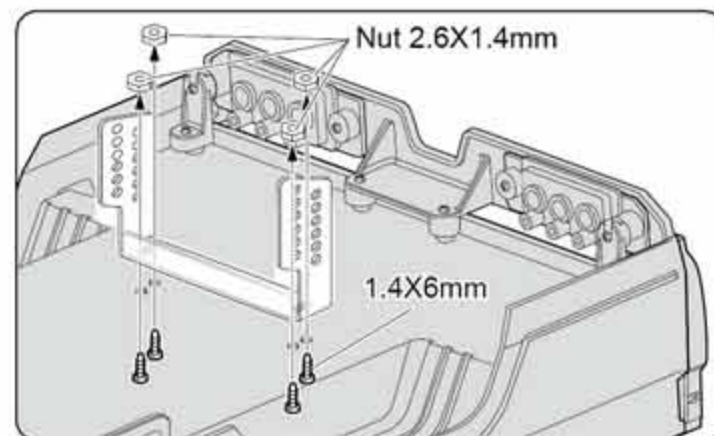
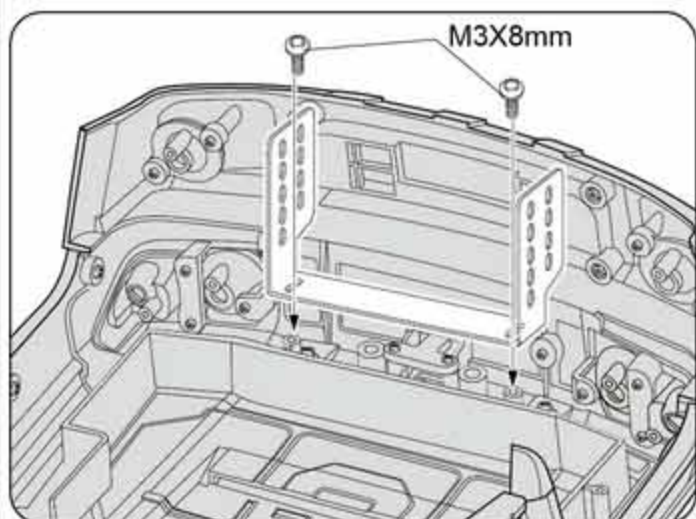
- LED stopper X4
- Tapping screw X4
- LED unit set



25 Finished



26 Installed



- NO.48631
- NO.48632
- NO.48633

