

Subaru BRZ BODY SHELL

Official Licensed Product

NO.48575

killerbody™

1/10 RC PLANNING INSTRUCTION SHEET

This body can be used with 1/10 electric touring car chassis (Long Wheelbase: 257mm With: 195mm)

Before beginning assembly, please read these instructions thoroughly!

● Symbols used throughout the instruction manual, comprise:



Cut off shaded portion.



5mm
Drill holes with the specified diameter.



Pay close attention here!



Must be purchased separately.



Assemble left and right sides the same way.



● Before Assembly

Decoration Body

- ▶ In the case of a decoration body, please assemble it according to the contents showed.

When making the window transparent:

- ▶ If you want to make the window transparent with a non decoration body, please assemble it according to the contents showed.

Non Decoration Body

- ▶ In the case of non decoration body, please assemble it according to the contents showed.

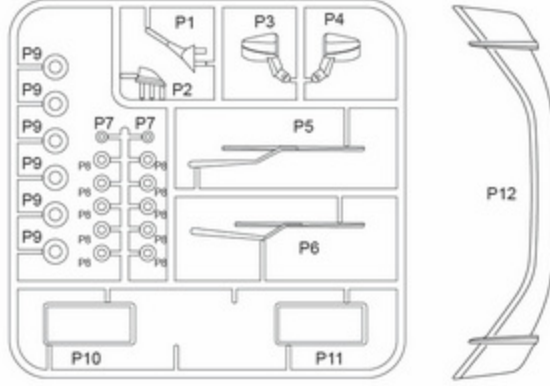
When loading LED lights

- ▶ If you want to load LED lights with a non decoration body, please assemble it according to the contents showed.

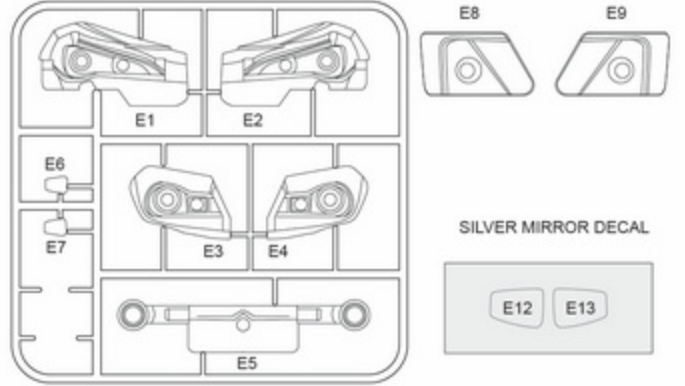
PARTS

BODY	-----	X1
PLASTIC PARTS	-----	X1
PC PARTS	-----	X1
ELECTROPLATED PARTS	-----	X1
DECAL SHEET	-----	X1
WINDOW MASKS	-----	X1
PARTS BAG		
 LED STOPPER	-----	X11
 CLIP	-----	X2
 O-RING	-----	X2
 TAPPING SCREW	-----	X17
DOUBLE-SIDED TAPE	-----	X1
ALUMINUM TAPE	-----	X1

PLASTIC PARTS



ELECTROPLATED PARTS

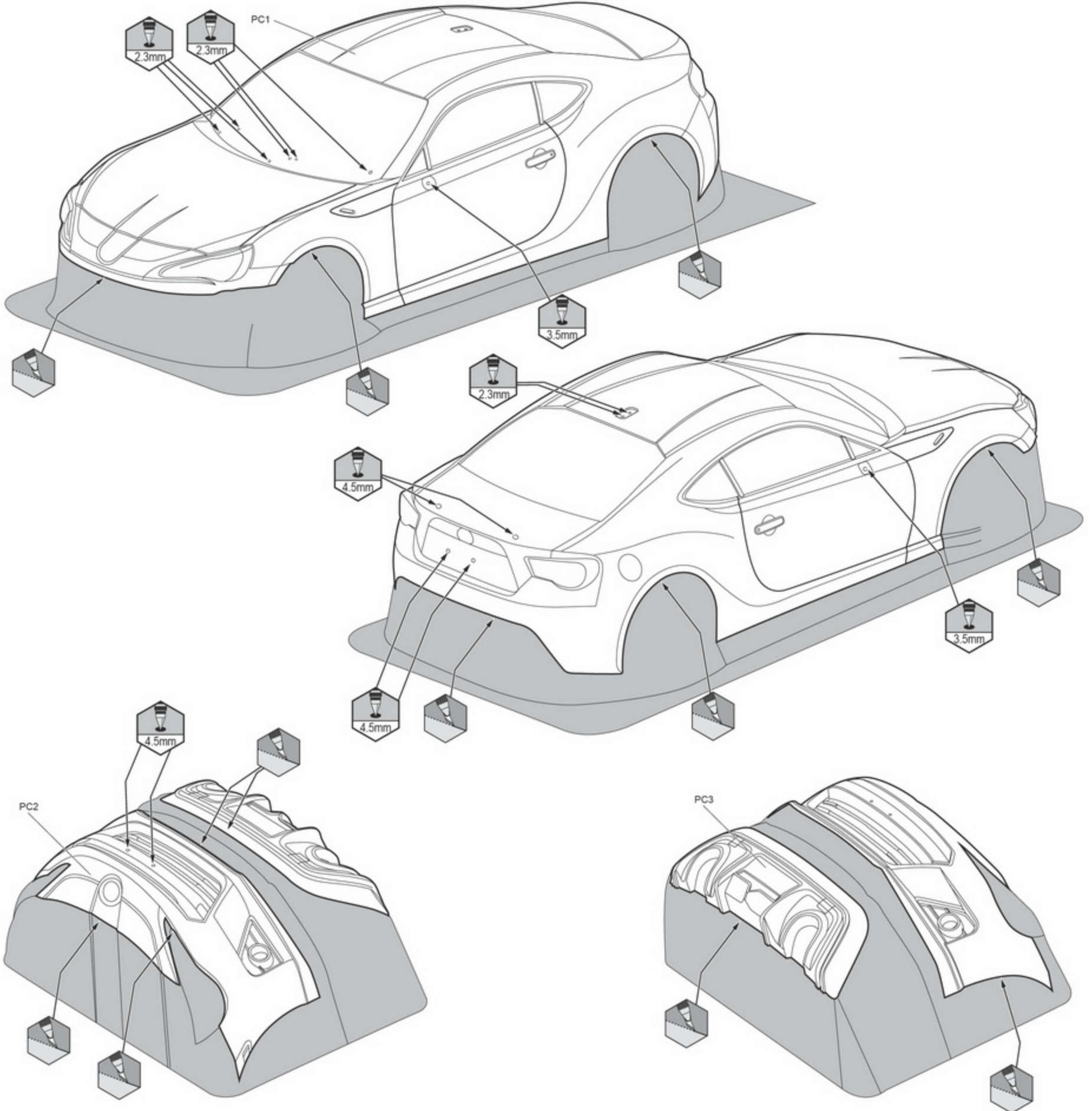


1 Body Shell

Non Decoration Body

When making the window transparent:

When loading LED lights



2 Painting

Non Decoration Body
When loading LED lights

PC1 PC2 PC3

- 1 Before painting, use a neutral detergent to remove any oil residues and dirt.

When making the window transparent:

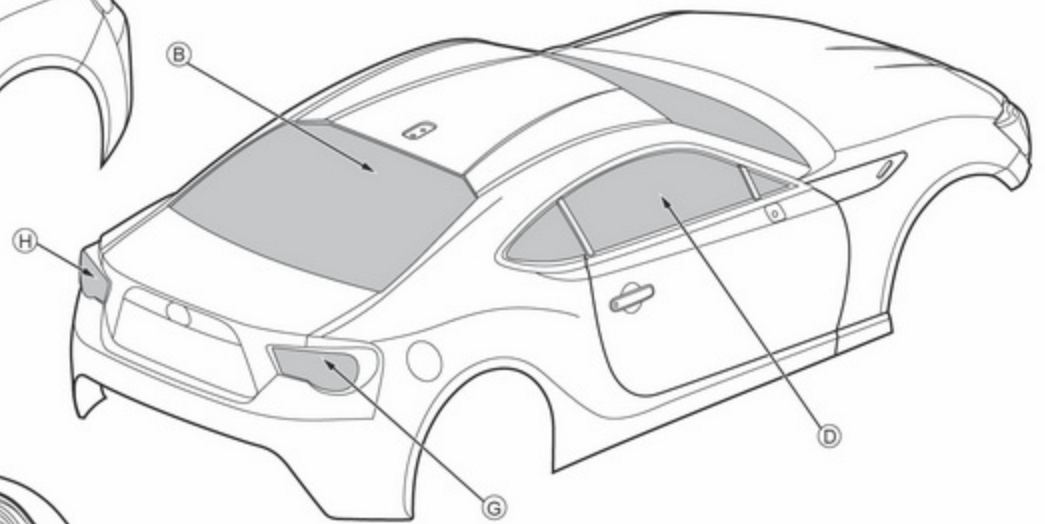
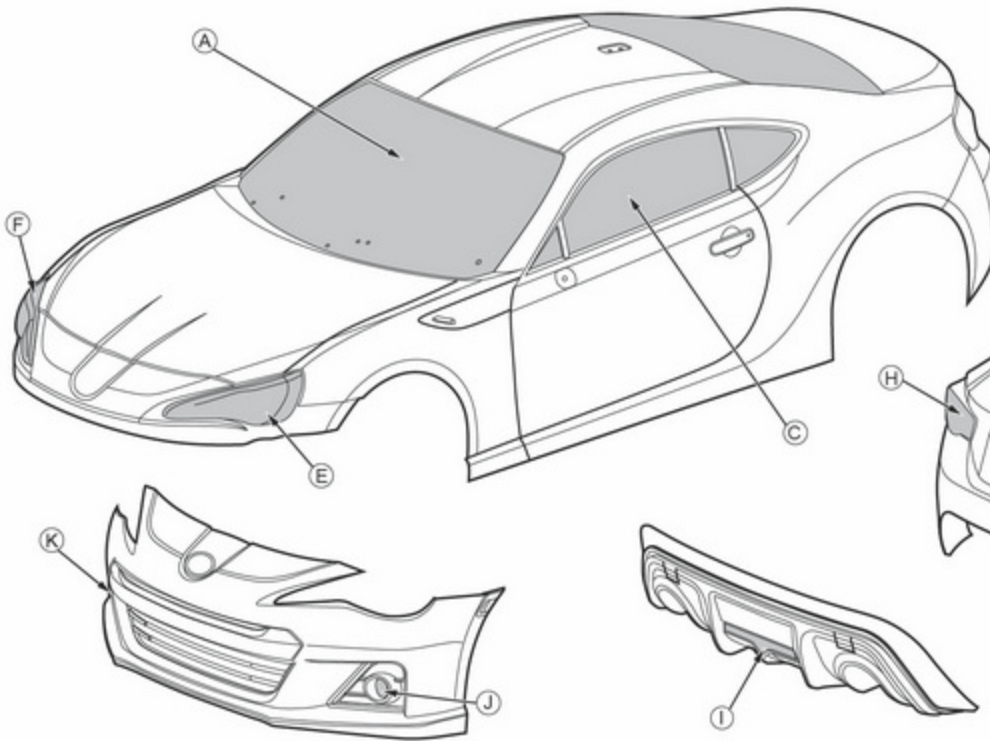
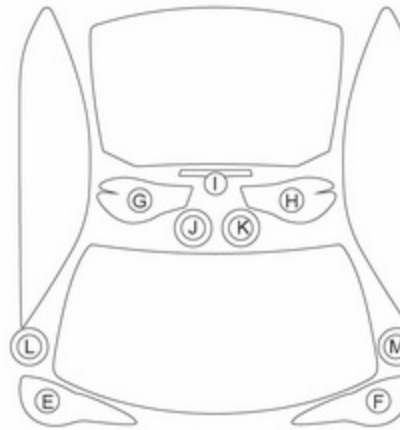
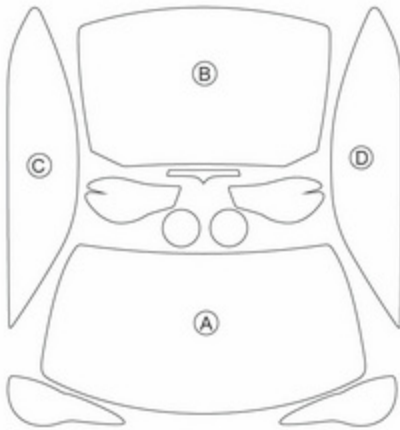


When making the window transparent:

2 Mask the windows from the inside.

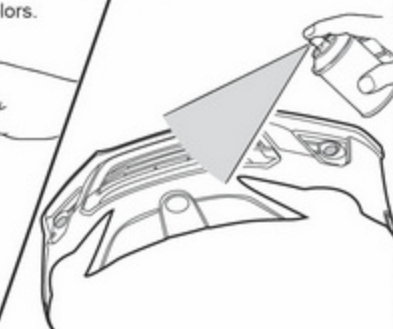
2 Mask the lights from the inside.

When loading LED lights



3 Paint PC1, PC2, PC3 from the inside, Rear wing from the outside using spray colors.

PC1 / PC2



PC3



4 Paint small part of PC2 from the outside.

1. Cut the protective film lightly from the outside.

PC2

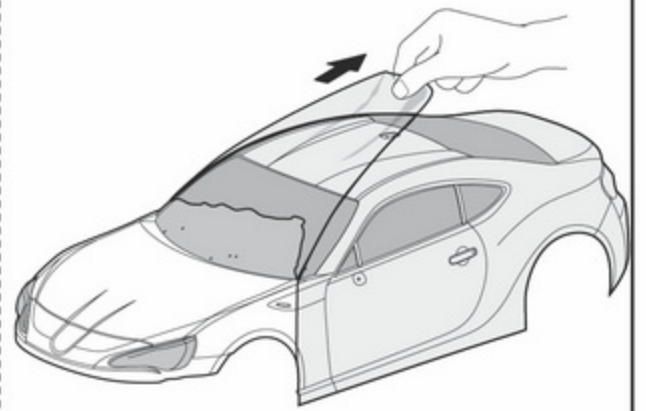
2. Mask the lights from the outside.



3. Paint black spray color from the outside.



5 After painting, remove the protective film from the body shell.



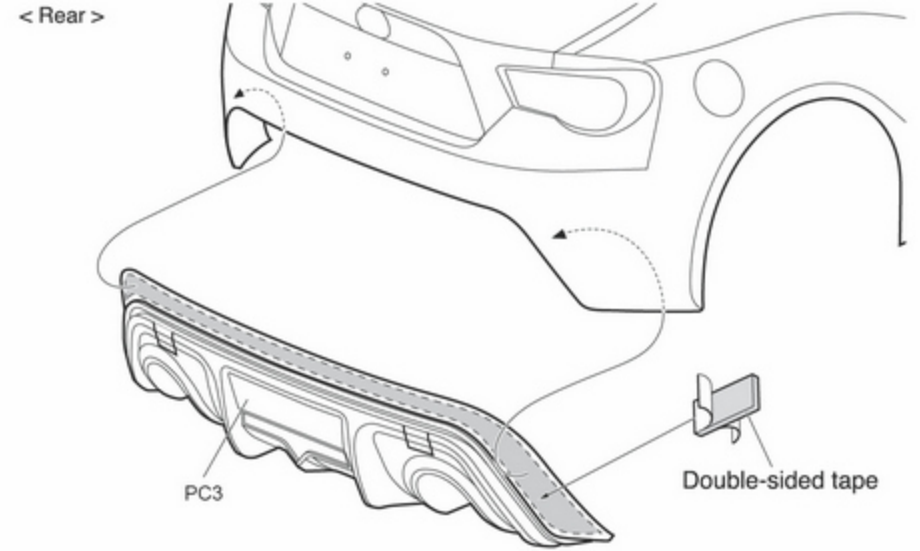
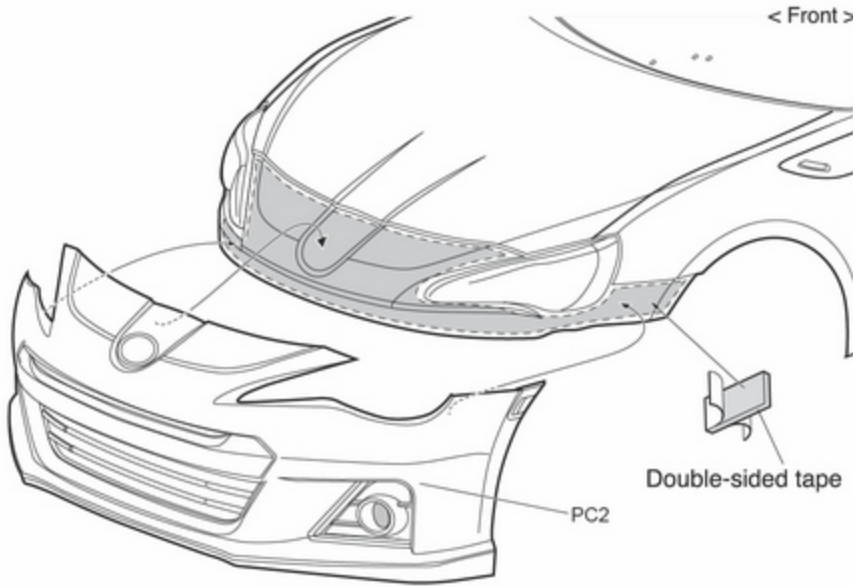
3 PC Parts

Decoration Body

Non Decoration Body

When making the window transparent:

When loading LED lights



4 Decal

Non Decoration Body

When making the window transparent:

When loading LED lights

<Decal>

► The decal numbers between brackets are only for the opposite side.

When making the window transparent

When reproducing the light by decal



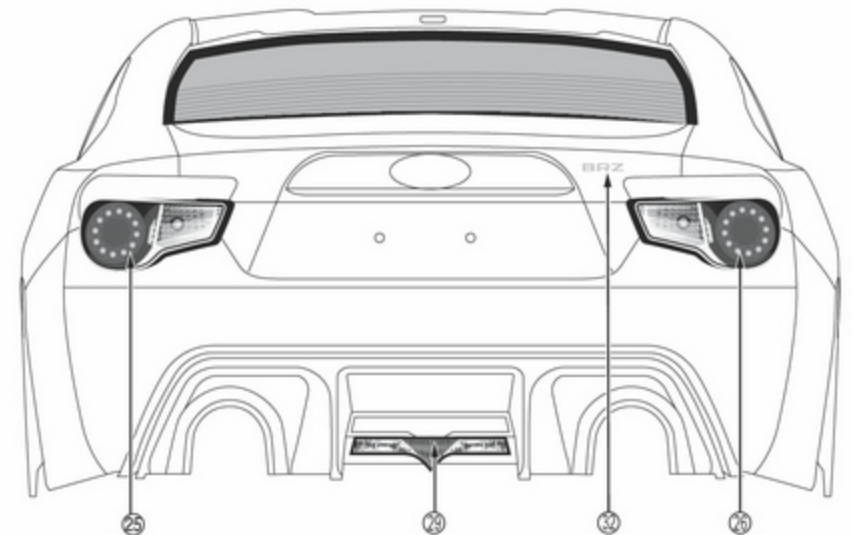
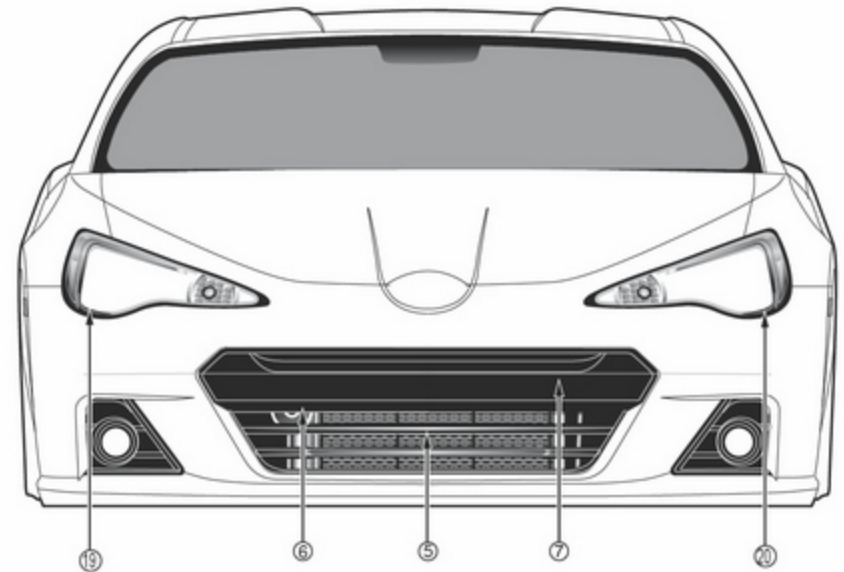
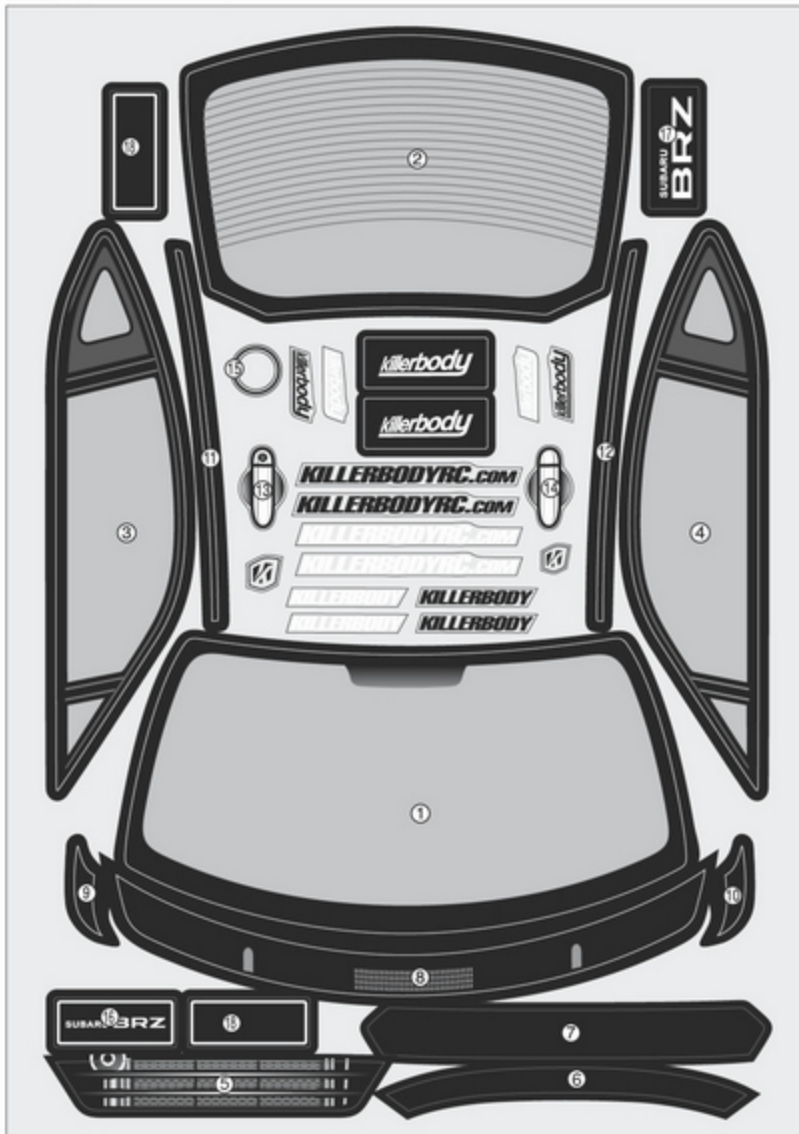
► ① ② ③ ④

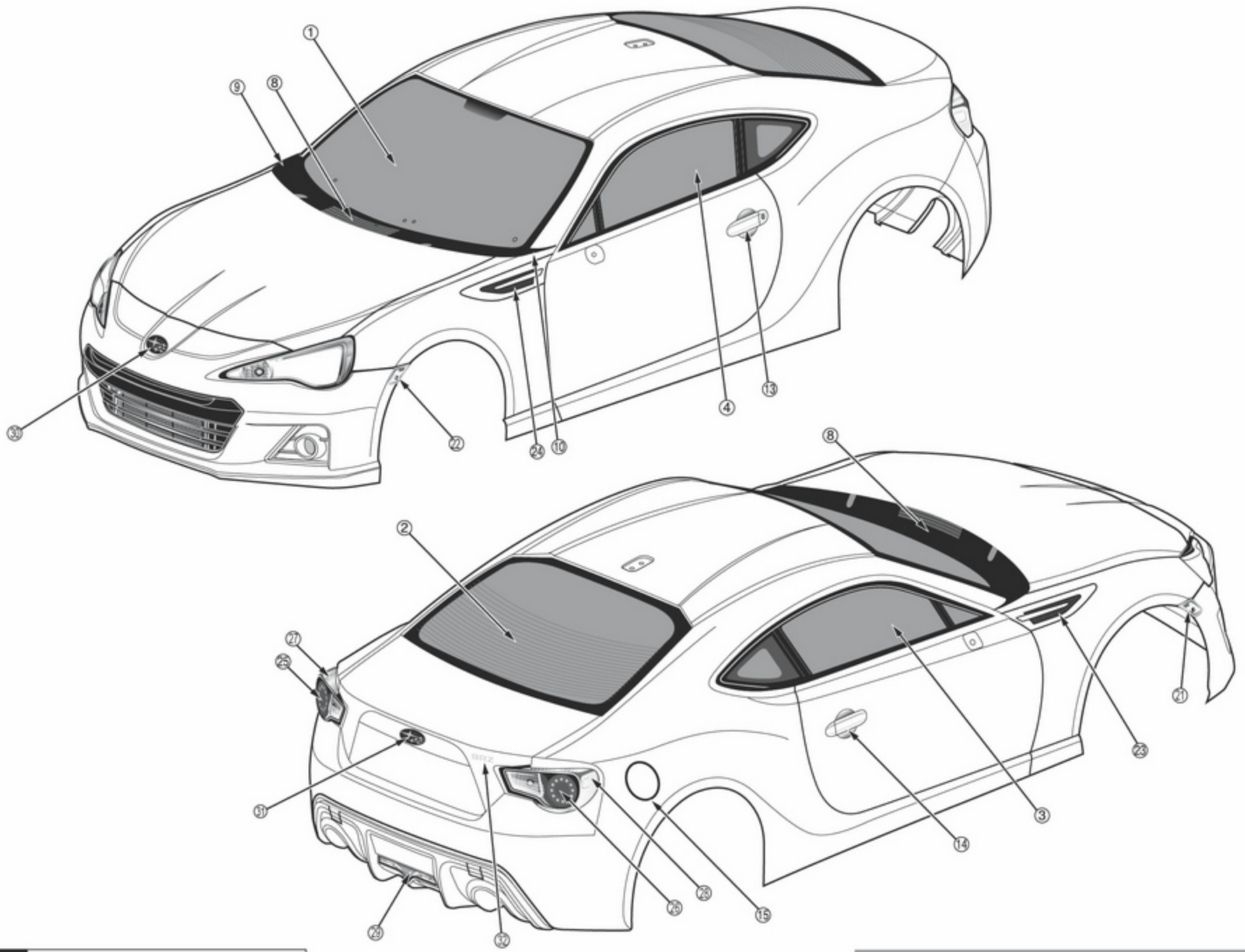
Cut the translucent (smoked color) part.



► Change the decal according to the following contents.

⑮ ⑰ → ⑬





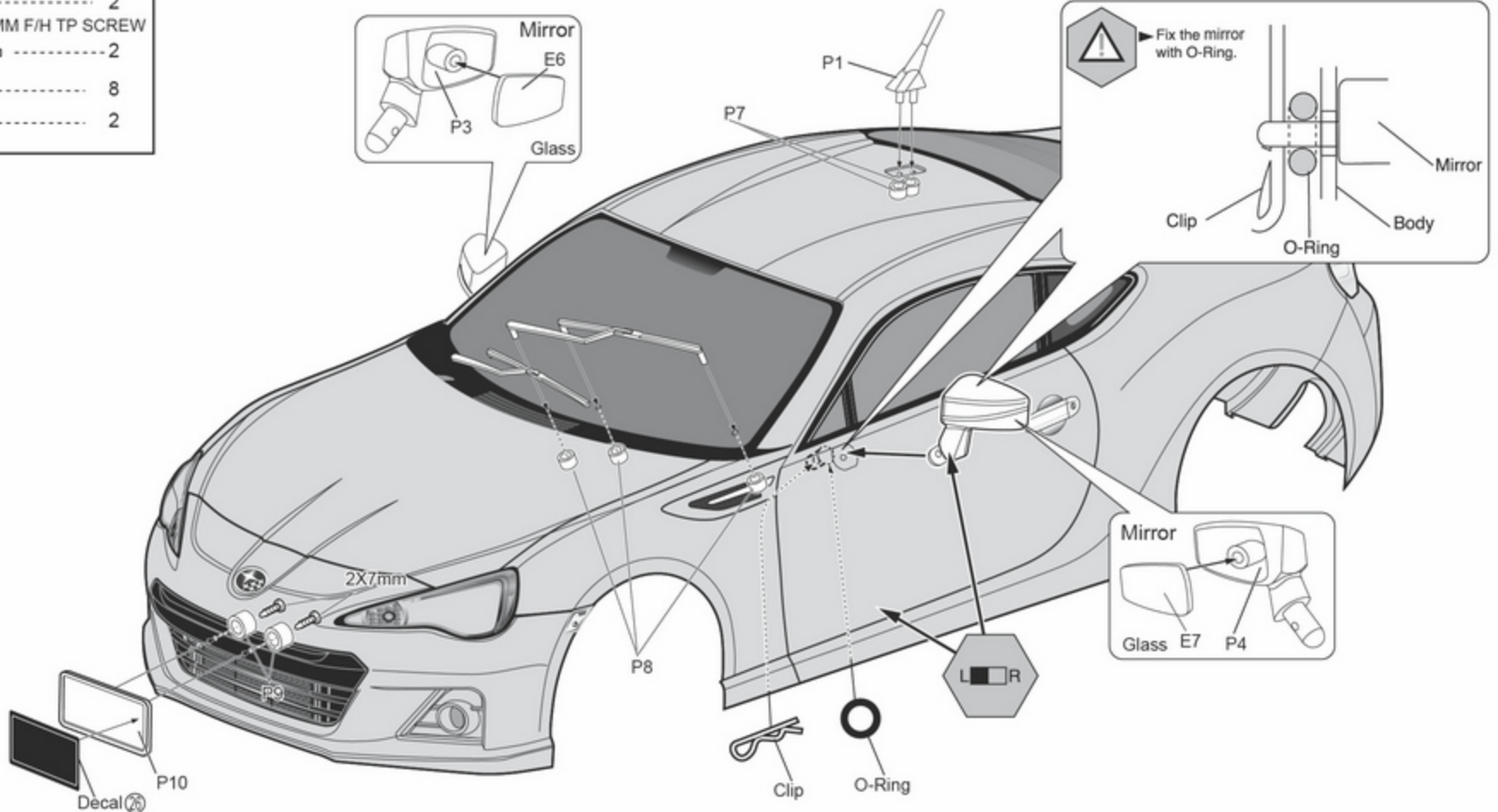
5 Plastic Parts

When making the window transparent:

Non Decoration Body

When loading LED lights

CLIP	2
O-RING	2
2.3X6MM F/H TP SCREW	2
	8
	2



6 Plastic Parts

2.3X6MM F/H TP SCREW

..... 2

..... 2

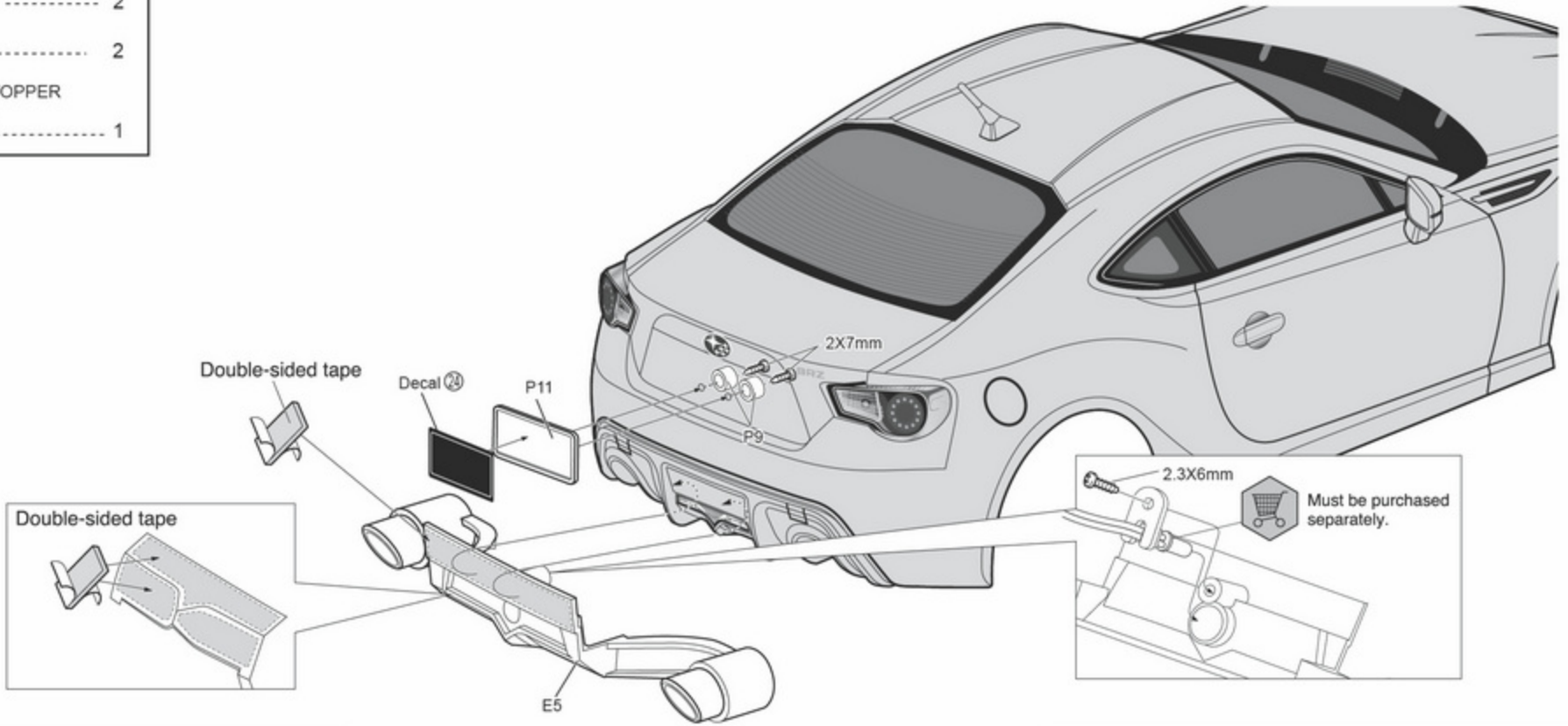
LED STOPPER

..... 1

When making the window transparent:

Non Decoration Body

When loading LED lights



7 Plastic Parts

2.3X6MM F/H TP SCREW

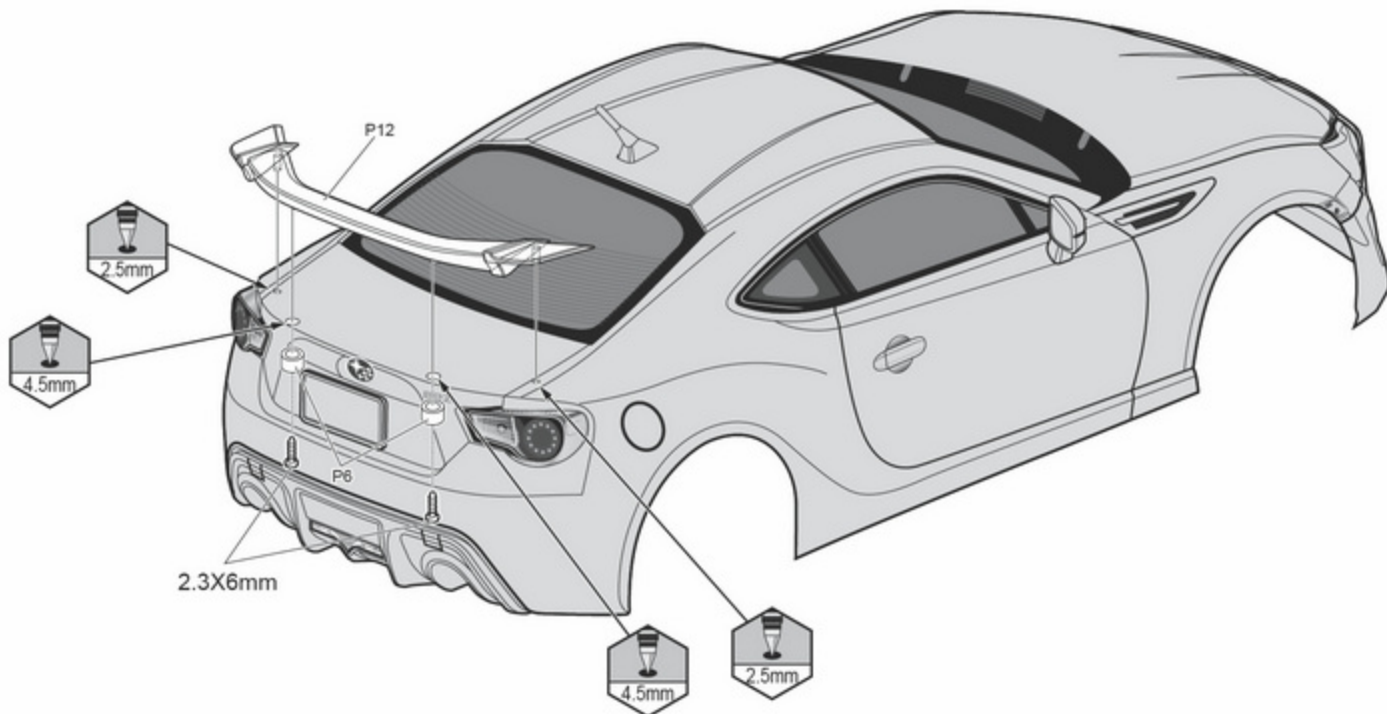
..... 2

..... 2

When making the window transparent:

Non Decoration Body

When loading LED lights



8 Plastic Parts

When loading LED lights

LED STOPPER

..... 10

2.3X6MM F/H TP SCREW

..... 10

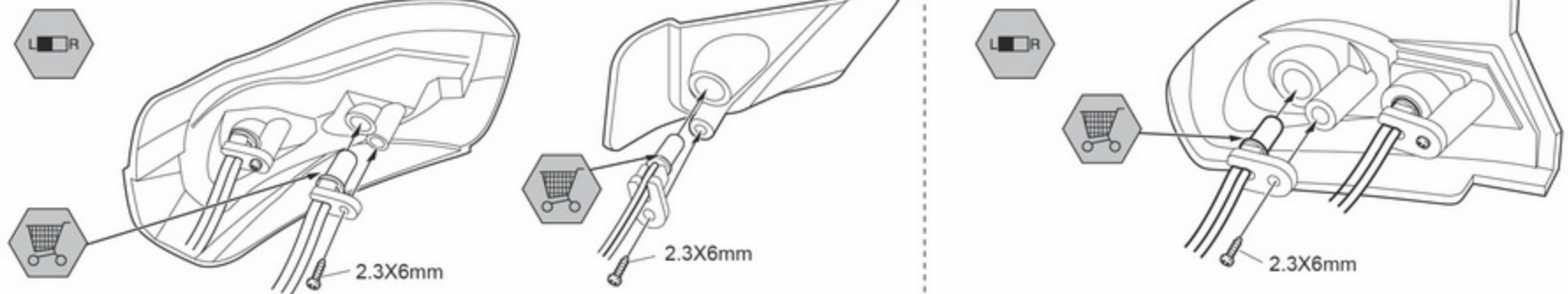


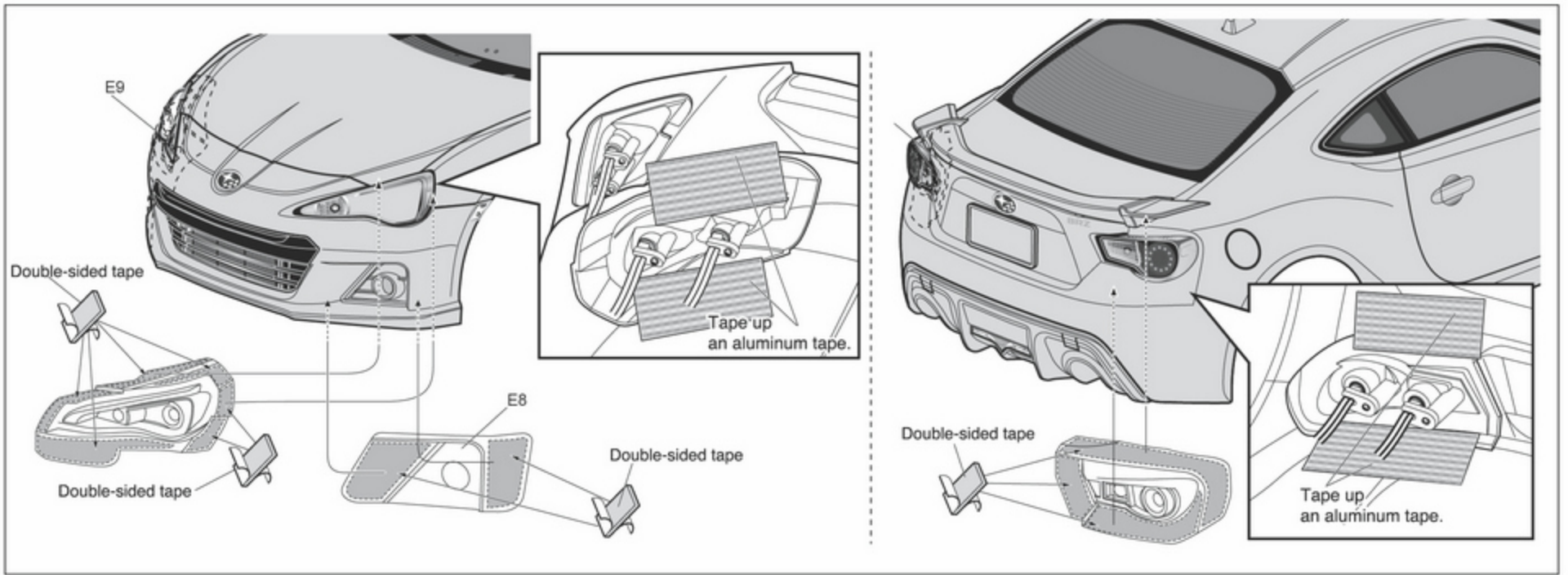
▶ Please tape the wiring, etc. on the body using the attached aluminum tape.

▶ Please put the attached aluminum tape on the top and bottom of the headlight and the taillights.

< Front >

< Rear >



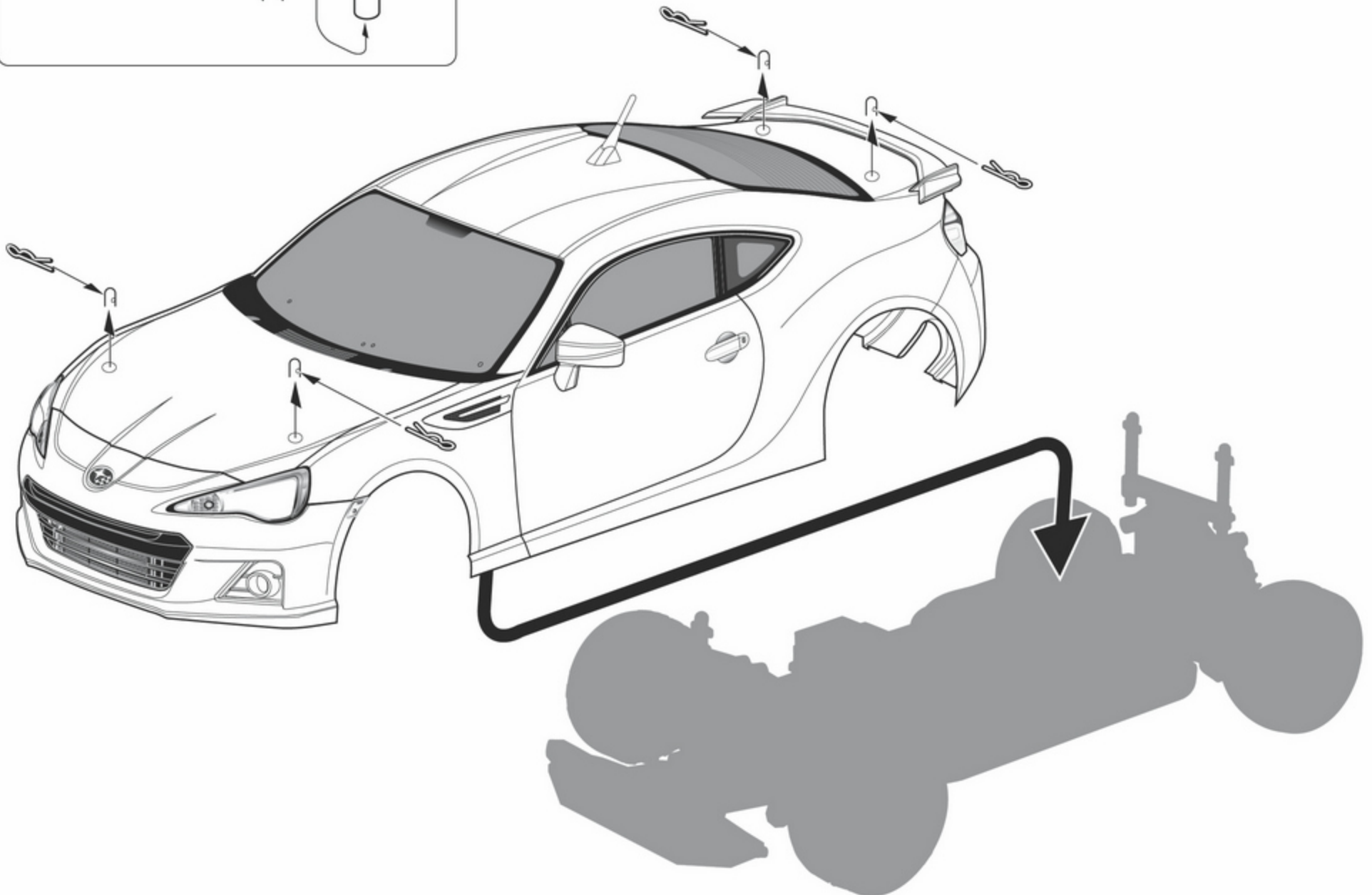
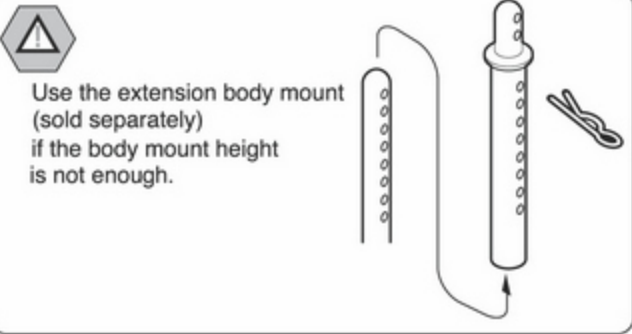


9 Body

Decoration Body
When making the window transparent:

Non Decoration Body
When loading LED lights

For safety reasons, always fit the body shell when running your car.



Option Parts & Accessory

No.	Part Names
48575	Subaru BRZ Clear Body
48576	Subaru BRZ Finished Body Metallic-blue (Printed) Light buckets assembled
48577	Subaru BRZ Finished Body Silver (Printed) Light buckets assembled
48578	Subaru BRZ Finished Body White (Printed) Light buckets assembled
48585	Plastic Parts Set (1/10 Subaru BRZ)
48381	Chassis for Display (1/10 Toyota 86 & Subaru BRZ)
48582	Wide Body Full Kit (1/10 Toyota 86 & Subaru BRZ) Lexan molded / PC material
48583	Wide Body Full Kit (1/10 Toyota 86 & Subaru BRZ) Lexan molded / PC material
48570	Decal Sheet Wide Body Full Kit (Toyota 86 & Subaru BRZ)
48587	Decal Sheet Wide Body Full Kit (Toyota 86 & Subaru BRZ)
48490SIGY	Aluminum Alloy Wheel 1:10 Touring Car
48490SIL	Aluminum Alloy Wheel 1:10 Touring Car
48490BLK	Aluminum Alloy Wheel 1:10 Touring Car
48076	Tyre (Rubber) 4Pcs./Pkg 1/10 Touring Car
48078	Tyre (Rubber) 4Pcs./Pkg 1/10 Touring Car
48258	Drift Tire 4Pcs./Pkg 1/10 Touring Car
48259	Drift Tire 4Pcs./Pkg 1/10 Touring Car
48260	Drift Tire 4Pcs./Pkg 1/10 Touring Car
48355	Caliper Brake Disc (CNC Aluminum) 2 Bigger & 2 Smaller 1/10 Touring Car
48356	Caliper Brake Disc (CNC Aluminum) 2 Bigger & 2 Smaller 1/10 Touring Car
48508	Aluminum Alloy Stealth Body Mounts 1/10 Touring Car
48506	Bodyshell Basic Plastic Parts Carbon Fiber Pattern 1/10 Touring Car
48489SIGY	Aluminum Alloy Wheel 1/10 Touring Car
48489SIL	Aluminum Alloy Wheel 1/10 Touring Car
48489BLK	Aluminum Alloy Wheel 1/10 Touring Car
48491SIGY	Aluminum Alloy Wheel 1/10 Touring Car
48491SIL	Aluminum Alloy Wheel 1/10 Touring Car
48491BLK	Aluminum Alloy Wheel 1/10 Touring Car
48243	Rear-engine Cockpit Set 1/10 Touring Car
48499	Rear-engine Cockpit Set (Left) Finished Type 1/10 Touring Car
48500	Rear-engine Cockpit Set (Right) Finished Type 1/10 Touring Car
48244	Front-engine Cockpit Set 1/10 Touring Car

No.	Part Names
48501	Front-engine Cockpit Set (Left) Finished Type 1/10 Touring Car
48502	Front-engine Cockpit Set (Right) Finished Type 1/10 Touring Car
48503	Anti-role Bar of Cockpit 1/10 Touring Car
48101	LED Light System w/Control Box (10 LEDs) 1/10 Scale
48516	Chassis Light W/SMD LED Unit Set (6 Blue LEDs) 1/10 Scale
48517	Chassis Light W/SMD LED Unit Set (6 Red LEDs) 1/10 Scale
48468	Chassis Light W/SMD LED Unit Set (12 Blue LEDs) 1/10 Scale
48469	Chassis Light W/SMD LED Unit Set (12 Red LEDs) 1/10 Scale
48470	Chassis Light W/SMD LED Unit Set (18 Blue LEDs) 1/10 Scale
48471	Chassis Light W/SMD LED Unit Set (18 Red LEDs) 1/10 Scale
48518	Chassis Light W/SMD LED Unit Set (36 Blue LEDs) 1/10 Scale
48519	Chassis Light W/SMD LED Unit Set (36 Red LEDs) 1/10 Scale
48507	Smoky Exhaust Pipe W/LED Unit Set 1/10 Scale
48191	Touring Car Engine 1/10 Scale
48492	Touring Car Engine Finished Type 1/10 Scale
48192	Touring Car Engine 1/10 Scale
48493	Touring Car Engine Finished Type 1/10 Scale
48193	Touring Car Engine 1/10 Scale
48494	Touring Car Engine Finished Type 1/10 Scale
48194	Touring Car Engine 1/10 Scale
48495	Touring Car Engine Finished Type 1/10 Scale
48195	Touring Car Engine 1/10 Scale
48496	Touring Car Engine Finished Type 1/10 Scale
48196	Touring Car Engine 1/10 Scale
48497	Touring Car Engine Finished Type 1/10 Scale
48197	Touring Car Engine 1/10 Scale
48498	Touring Car Engine Finished Type 1/10 Scale
48246	Modified Vertical Engine 1/10 Scale
48504	Modified Vertical Engine Finished Type 1/10 Scale
48247	Modified Transverse Engine 1/10 Scale
48505	Modified Transverse Engine Finished Type 1/10 Scale

WWW.KILLERBODYRC.COM