

# killerbody

Smoky Exhaust Pipe  
W/LED Unit Set

Fit for 1/10 RC Car  
NO.48507



## Instruction

### Usage:

1. Use the pointed mouth of oil bottle to align with the oil filler hole, and fill up about 1 ml oil. Notice: do not let the oil leak from the gas orifice when filling up oil, because too much oil will slow down the fuming speed. Use the rubber plug to stuff up the oil filler hole after filling up oil.
2. Find a proper position to place the smoky exhaust pipe to secure the position.
3. Insert the balance plug of the 7.4 V battery.
4. Insert the remote control signal line and at this time, the smoky exhaust pipe gives out red lights twice. Self-inspection is completed and it is working properly.
5. Operate the remote control and push the throttle then smoke will give out.
6. If the smoke becomes thin, you should fill up oil as soon as possible or stop using the smoky exhaust pipe to prevent the smoky exhaust pipe from damage by overheating.
7. Disconnect the battery after using to prevent low battery.
8. If this product has flame output, gas output but no smoke output, please contact the distributor for repair.

### Specification/Function:

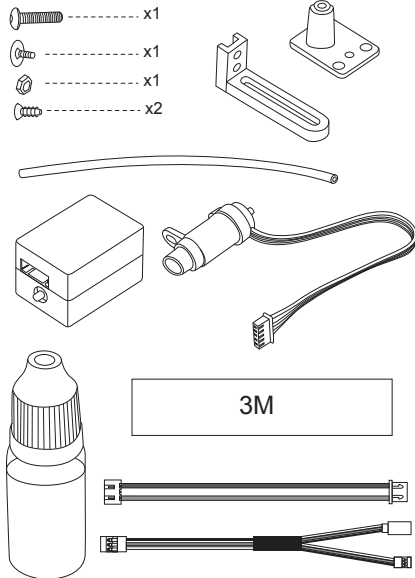
1. Input power: 7.4V; max 1.3A,
2. Control signal input: front and back remote signal input (including 5V Power supply)
3. Battery low voltage protection: if the battery voltage is below 6.0 V, the smoky exhaust pipe will give out a short and a long flame signal and stop to give out smoke.
4. Oil shortage overheating protection: when the oil is insufficient, the smoke will be thin; when the smoky exhaust pipe is overheating, the circuit will stop working and the smoky exhaust pipe will stop fuming. At the same time, the smoky exhaust pipe will give out slow-flashing flame signal until the temperature drops.

5. Flame simulation: if the accelerator is larger, the flame flashing frequency is higher; when the generator is at idle, the flame flickering frequency is slow.
6. Smoke simulation: if the accelerator is larger, there is smoke giving out; when in idle mode, only a little smoke is generated.
7. Service time: it can use 20-30 minutes a time when filling up the tank.

### Notice:

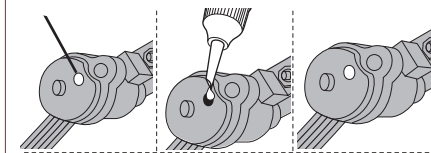
1. This product cannot be used in the flammable and explosive environment!
2. Disconnect the battery to prevent low battery after finishing using this product. If this product has flame output, gas output but no smoke output, please contact the distributor for repair.
3. Do not aim at eyes to avoid burn when using.
4. This product uses only the equipped special oil, and using gasoline, kerosene, diesel oil, ethyl alcohol and other ignitable oils is strictly prohibited.
5. For any accident caused by using other oil not we provided oil, we will not assume any liability.

## PARTS

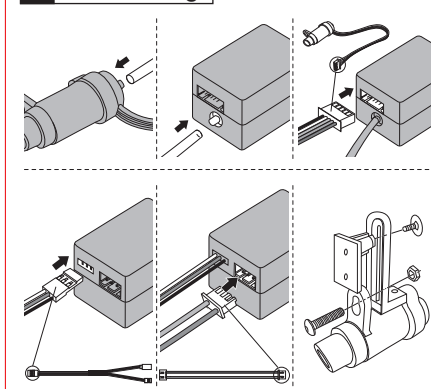


## 1 Filling

Open the rubber plug and fill up about 1 ml oil then stuff up the oil hole.

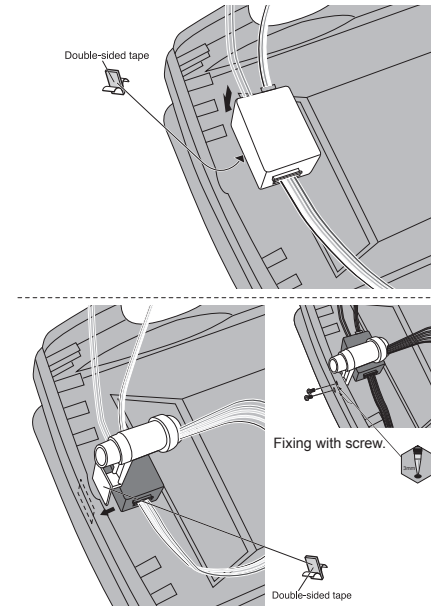


## 2 Assembling



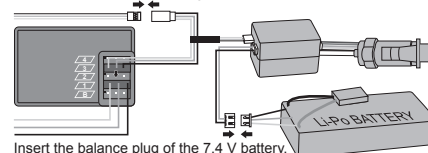
## 3 Installing

Find a proper position to place the smoky exhaust pipe to secure the position.



## 4 Connecting

Insert the remote control signal line.



## 5 Finished

