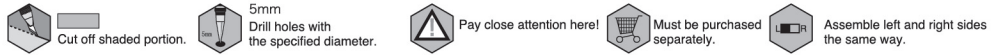


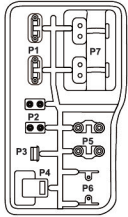
● Symbols used throughout the instruction manual, comprise:



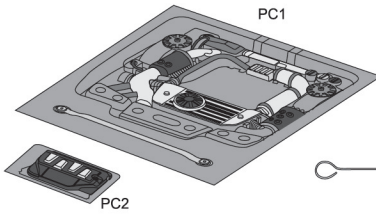
PARTS

PLASTIC PARTS	-----	X1
PC PARTS (PRINTED)	-----	X2
DECORATIVE DECAL SHEET	-----	X2
PARTS BAG		
TAPPING SCREW	-----	X5
METAL STAY BAR	-----	X2
MAGNET	-----	X2
PC MAGNET COVER	-----	X2
3M DOUBLE-SIDED TAPE	-----	X2

PLASTIC PARTS



PC PARTS



PC3

X2

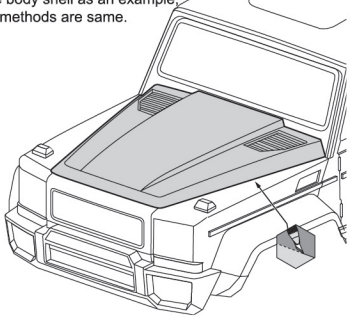
X2

X2

▲ Here just take NO.48498 as an example, all the installation methods of NO.484912/48493/48494/48495/48496/48497/48504/48505 are same with NO.48498.

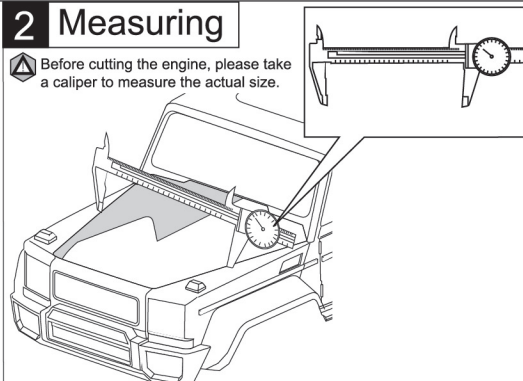
1 Cut the Car Body

Here just take one body shell as an example, all the installation methods are same.

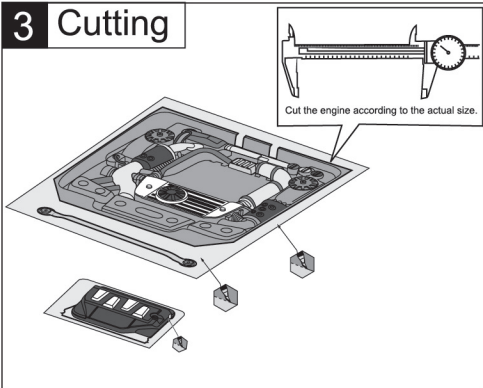


2 Measuring

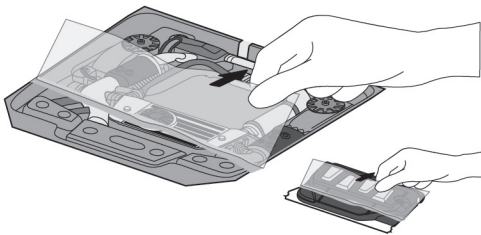
▲ Before cutting the engine, please take a caliper to measure the actual size.



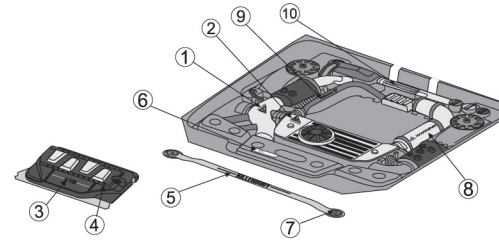
3 Cutting



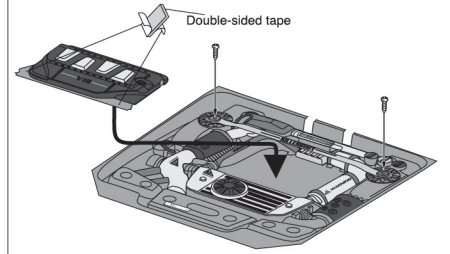
Remove the protective film from the PC parts.



4 Decal



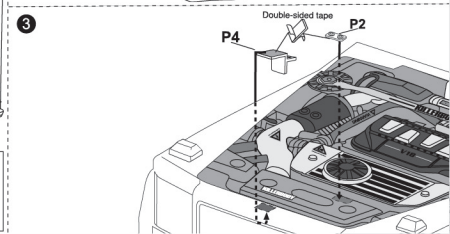
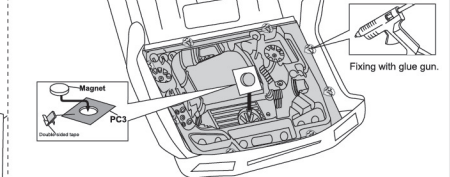
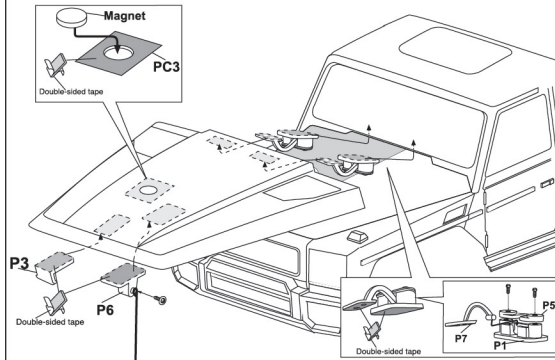
▲ Engine cover assembly.



5 Assembling

① Assembly the cutted engine bonnet to body shell.

② Assembly the engine to body shell.



6 Finished

