

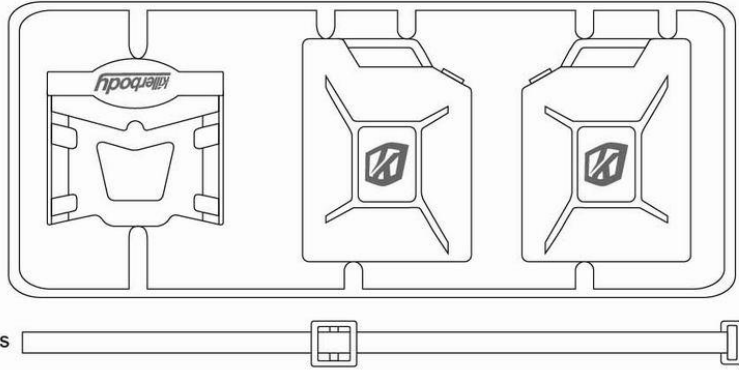
killerbody™

Black Plastic Jerry Can Set Fit for 1/10 RC Truck NO.48429

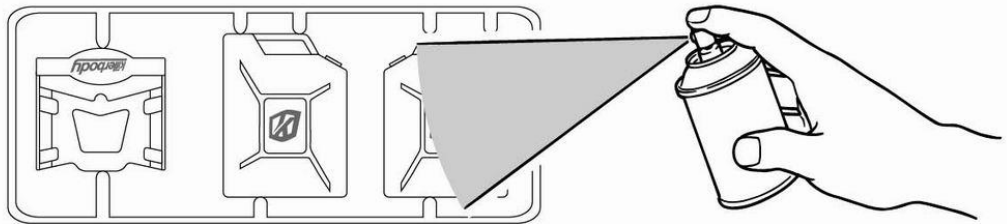
PARTS

 X3

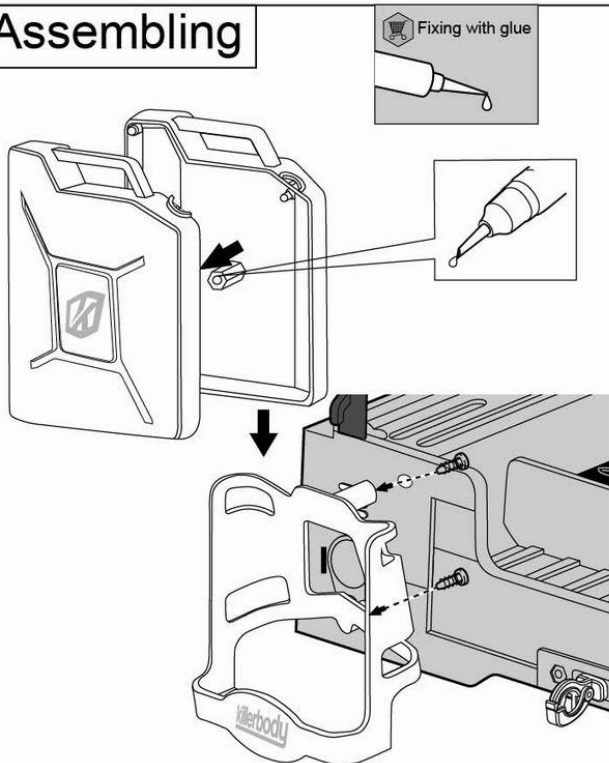
PLASTIC PARTS



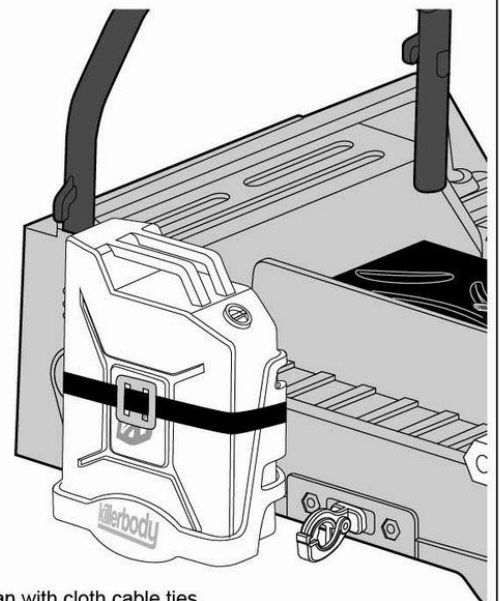
1 Painting



2 Assembling



3 Finished



Fixing the jerry can with cloth cable ties.