

● Symbols used throughout the instruction manual, comprise:



Cut off shaded portion.



5mm
Drill holes with
the specified diameter.



Pay close attention here!



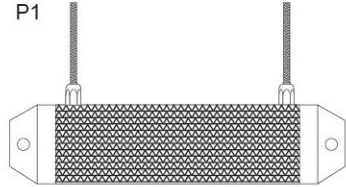
Must be purchased
separately.



Assemble left and right sides
the same way.

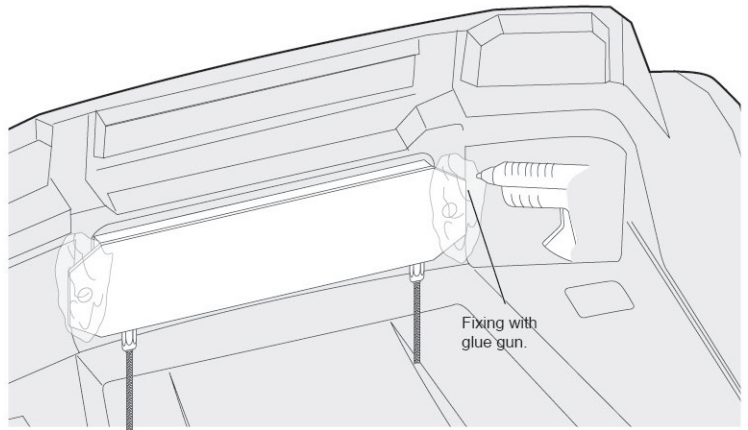
PARTS

P1



X1

1 Plastic Parts



2 Finished

