

Lancia Stratos (1977 Giro d'Italia)

BODY SHELL

Official Licensed Product

NO.48307

killerbody™

1/10 RC PLANNING INSTRUCTION SHEET

This body can be used with 1/10 electric touring car chassis (Long Wheelbase: 257mm Width: 195mm)

Before beginning assembly, please read these instructions thoroughly!

● Symbols used throughout the instruction manual, comprise:



Cut off shaded portion.



5mm
Drill holes with the specified diameter.



Pay close attention here!



Must be purchased separately.



Assemble left and right sides the same way.



● Before Assembly

Decoration Body

- ▶ In the case of a decoration body, please assemble it according to the contents showed.

When making the window transparent:

- ▶ If you want to make the window transparent with a non decoration body, please assemble it according to the contents showed.

Non Decoration Body

- ▶ In the case of non decoration body, please assemble it according to the contents showed.





When loading LED lights

- ▶ If you want to load LED lights with a non decoration body, please assemble it according to the contents showed.

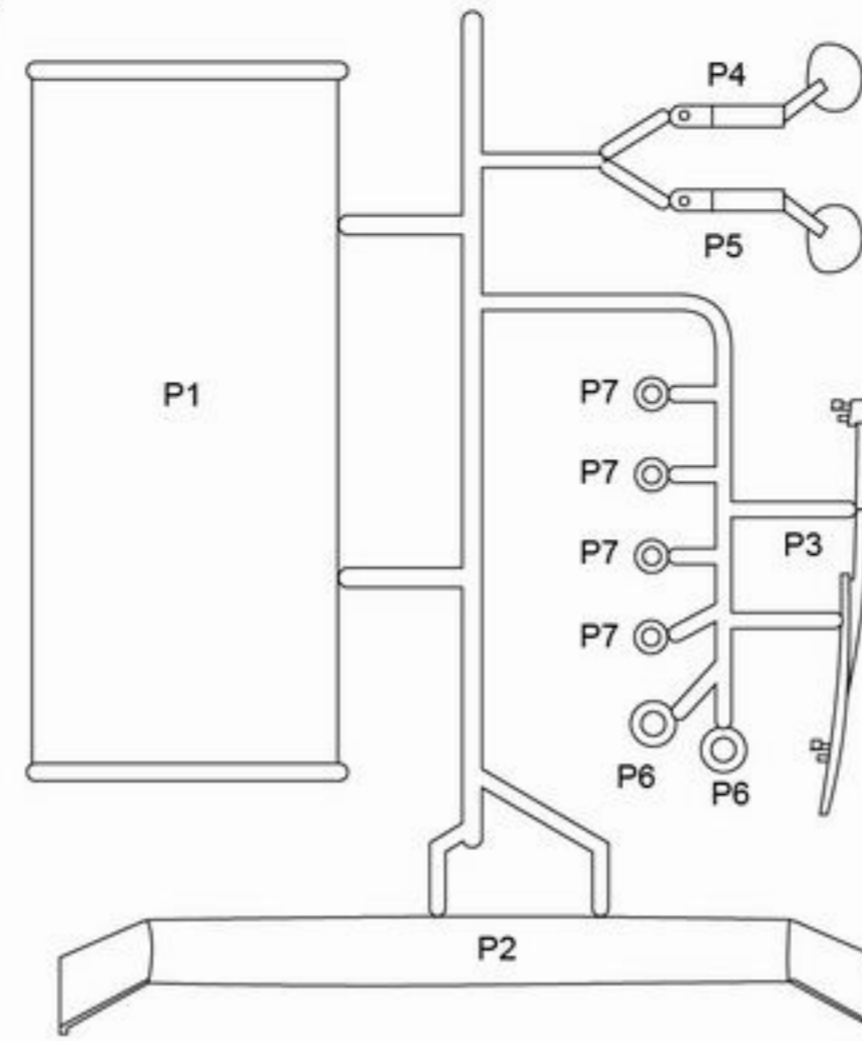
PARTS

BODY	-----	X1
PLASTIC PARTS	-----	X1
ELECTROPLATED PARTS	-----	X1
DECAL SHEET	-----	X1
WINDOW MASKS	-----	X1

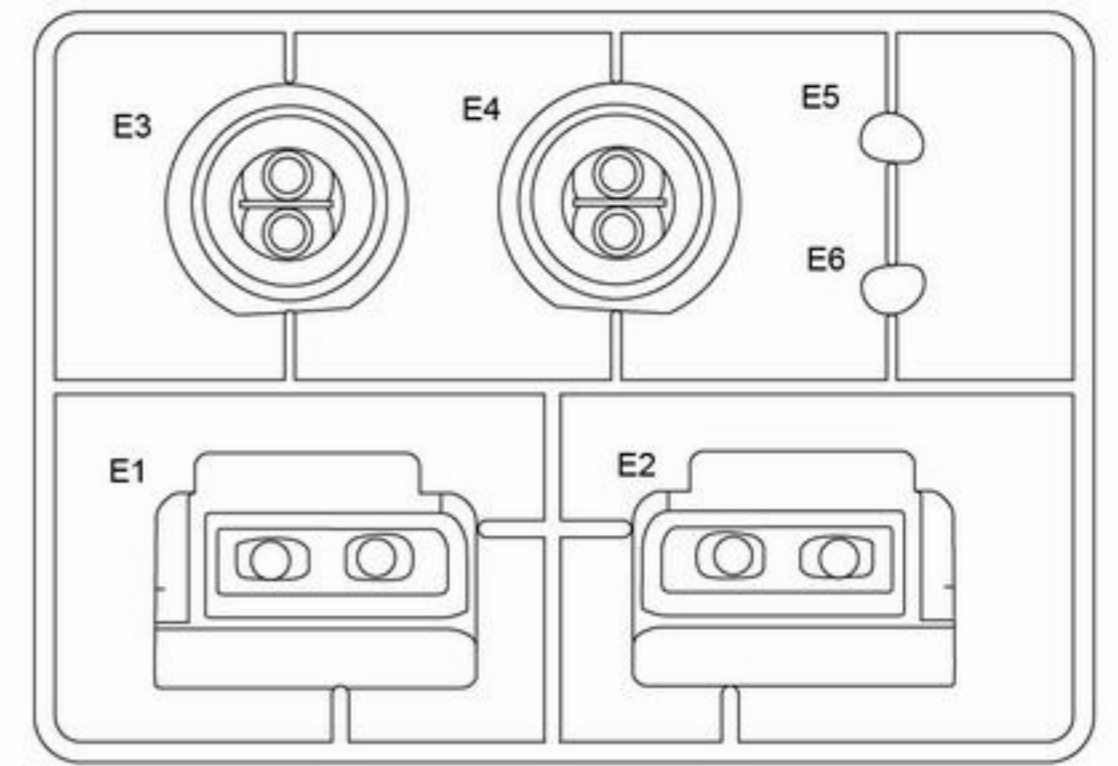
PARTS BAG

	LED STOPPER	-----	X8
	Clip	-----	X2
	O-Ring	-----	X2
	TAPPING SCREW	-----	X10
	DOUBLE-SIDED TAPE	-----	X1
	ALUMINUM TAPE	-----	X1

PLASTIC PARTS



ELECTROPLATED PARTS

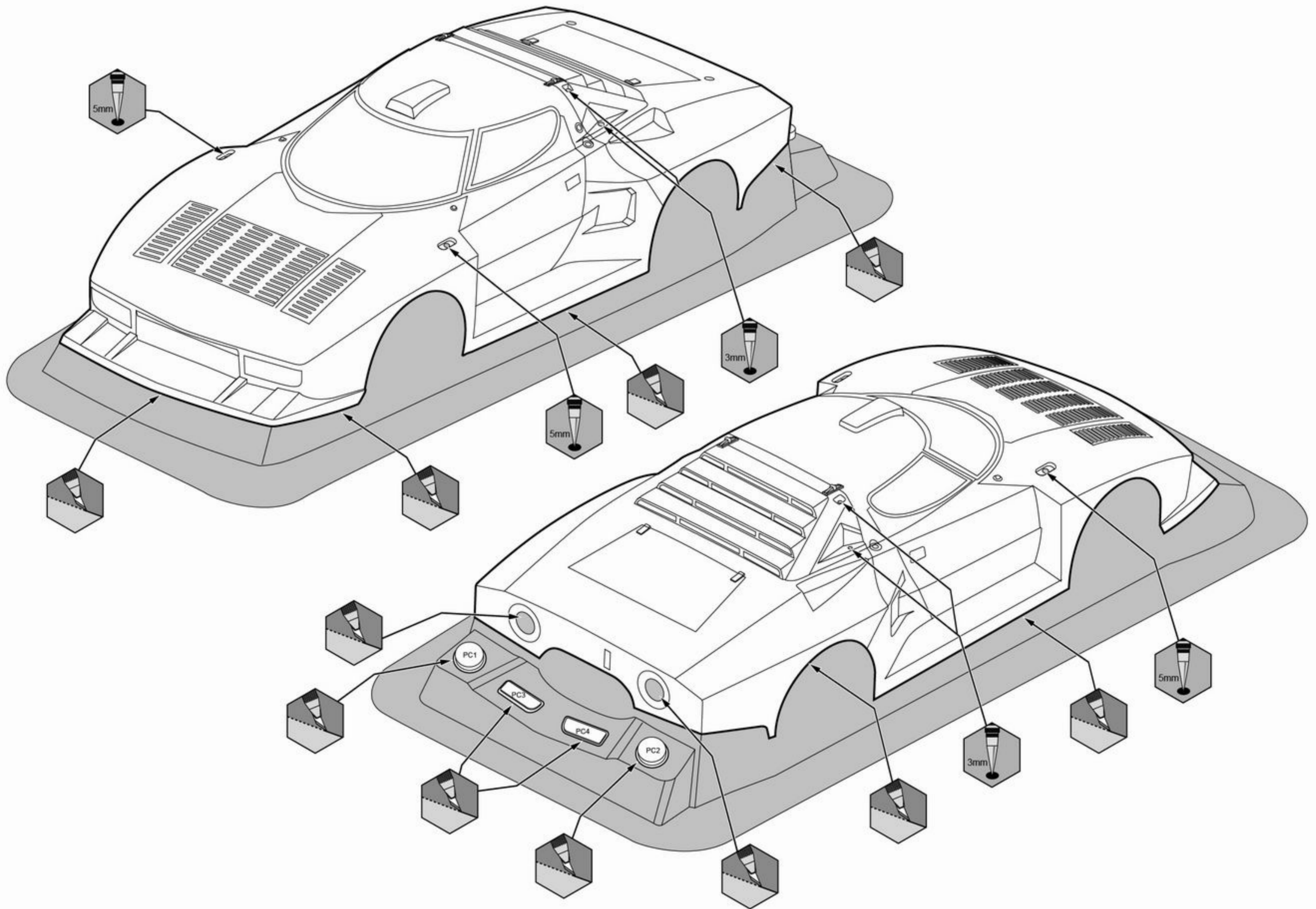


1 Body Shell

When making the window transparent:

Non Decoration Body

When loading LED lights



2 Painting

Non Decoration Body

When loading LED lights

- Before painting, use a neutral detergent to remove any oil residues and dirt.

When making the window transparent:

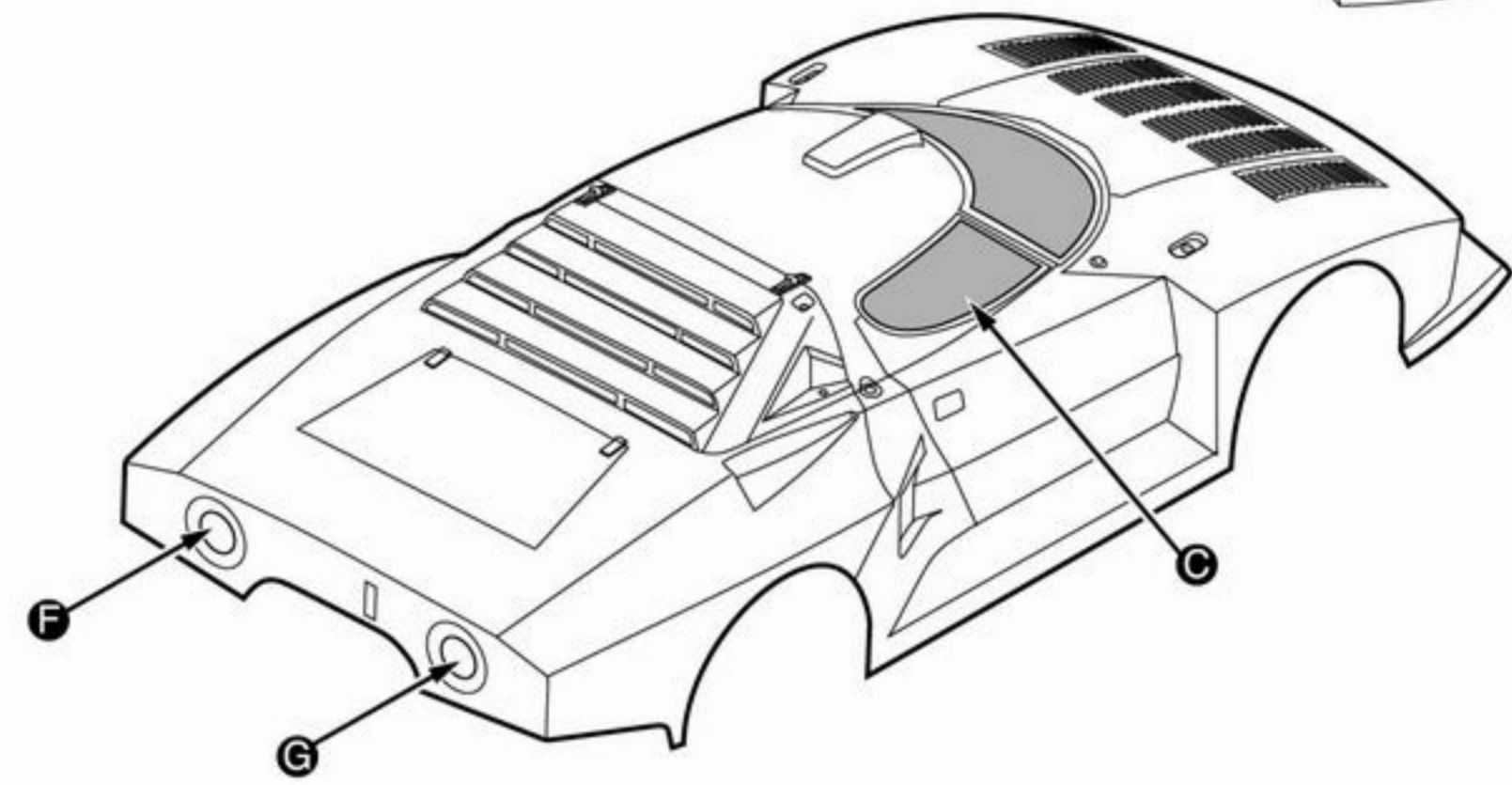
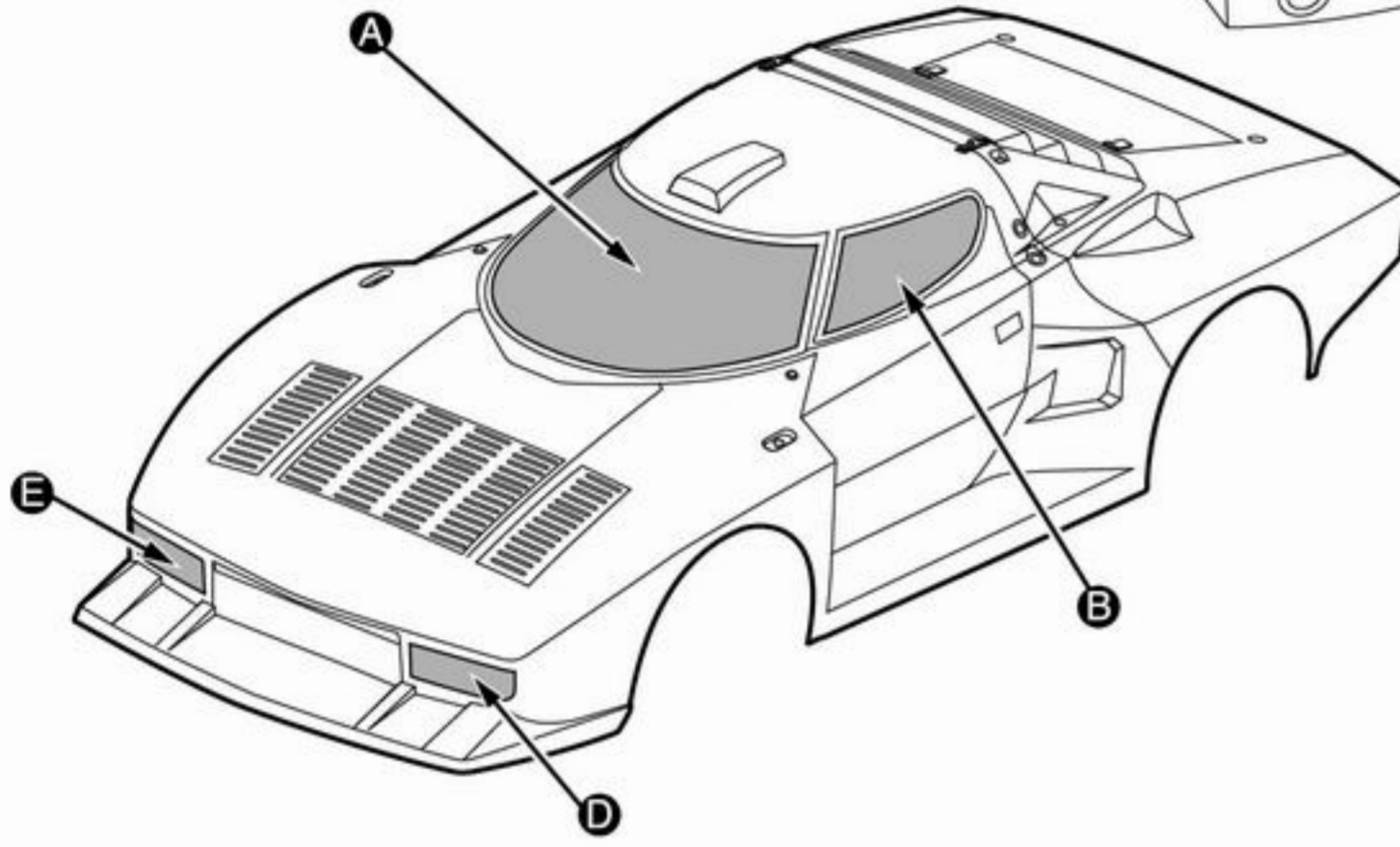
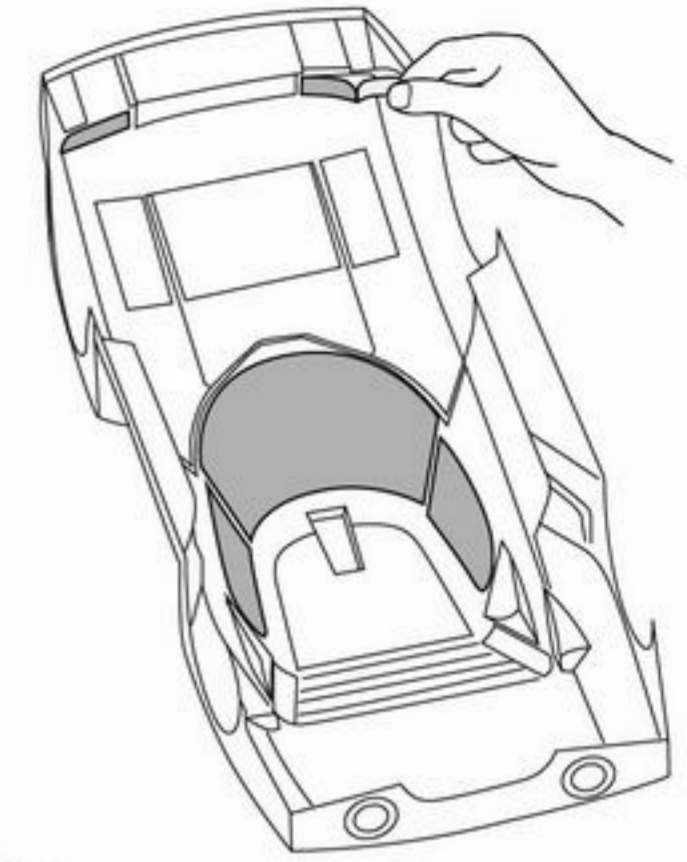
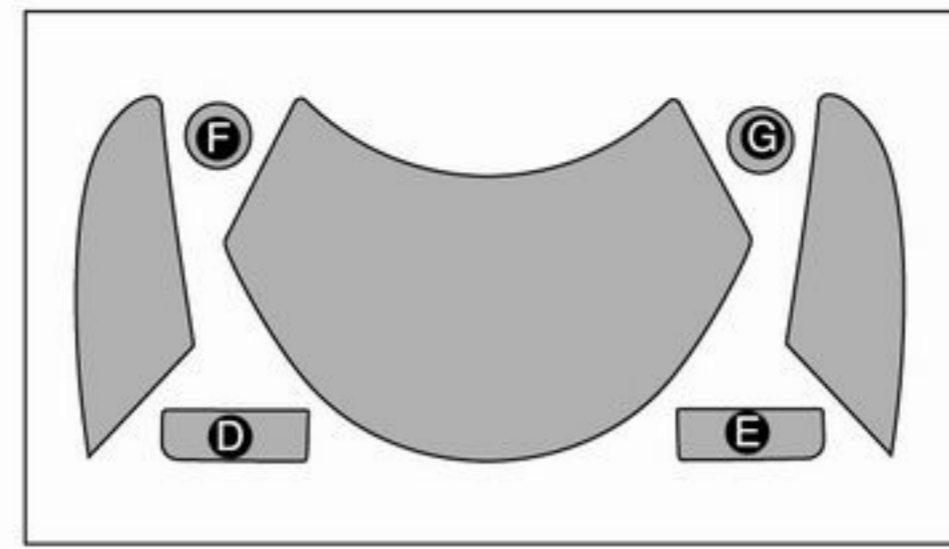
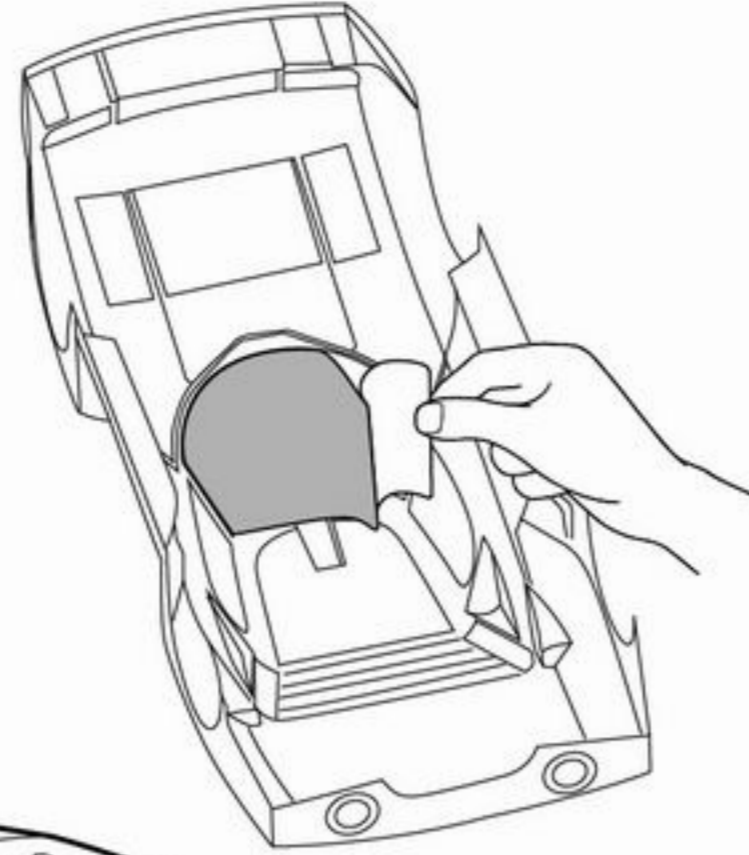
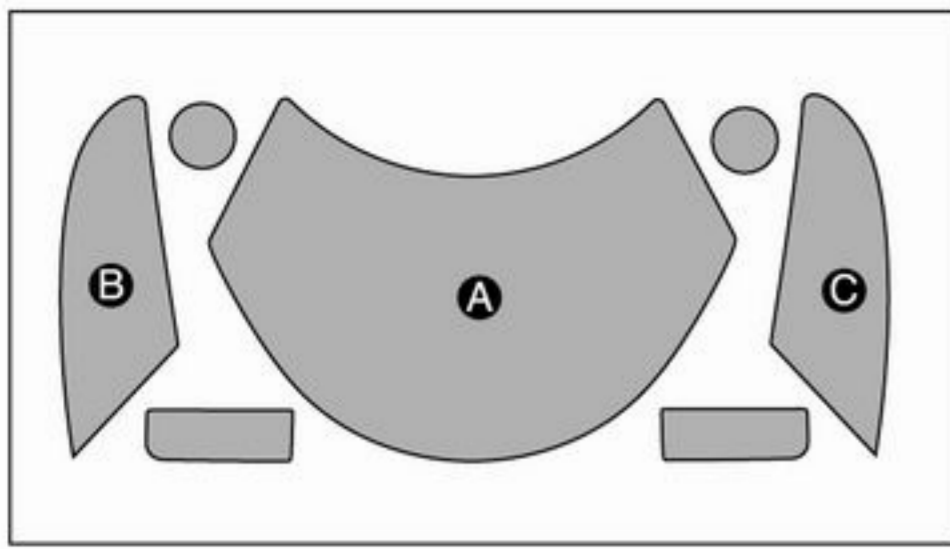


When making the window transparent:

When loading LED lights

2 Mask the windows from the inside.

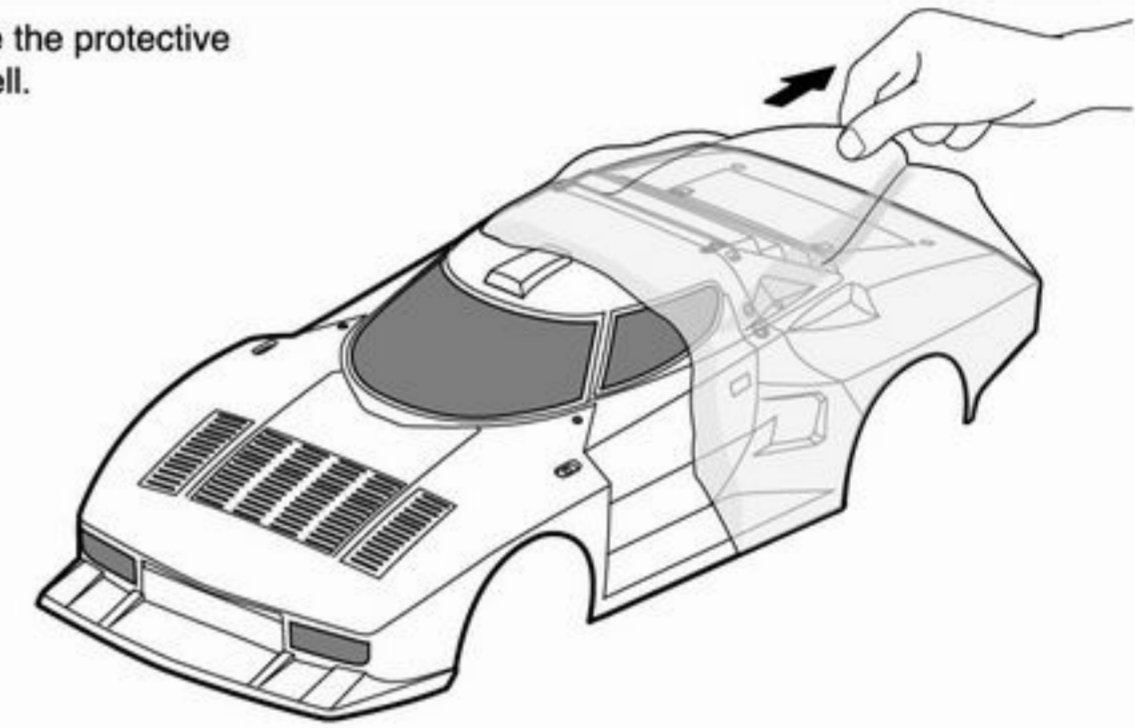
2 Mask the lights from the inside.



3 Paint the body shell from the inside, Rear Wing from the outside using spray colors.



4 After painting, remove the protective film from the body shell.



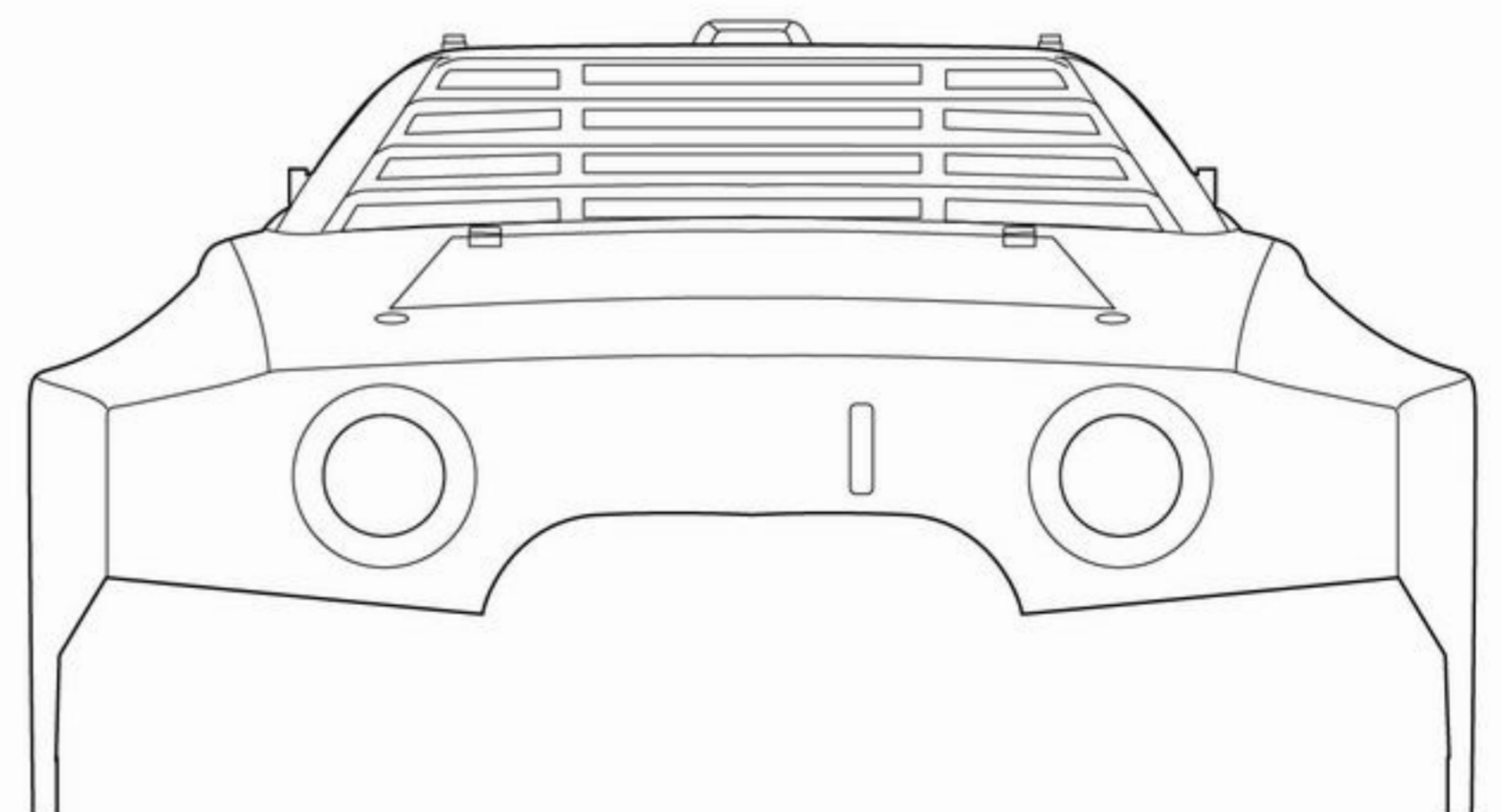
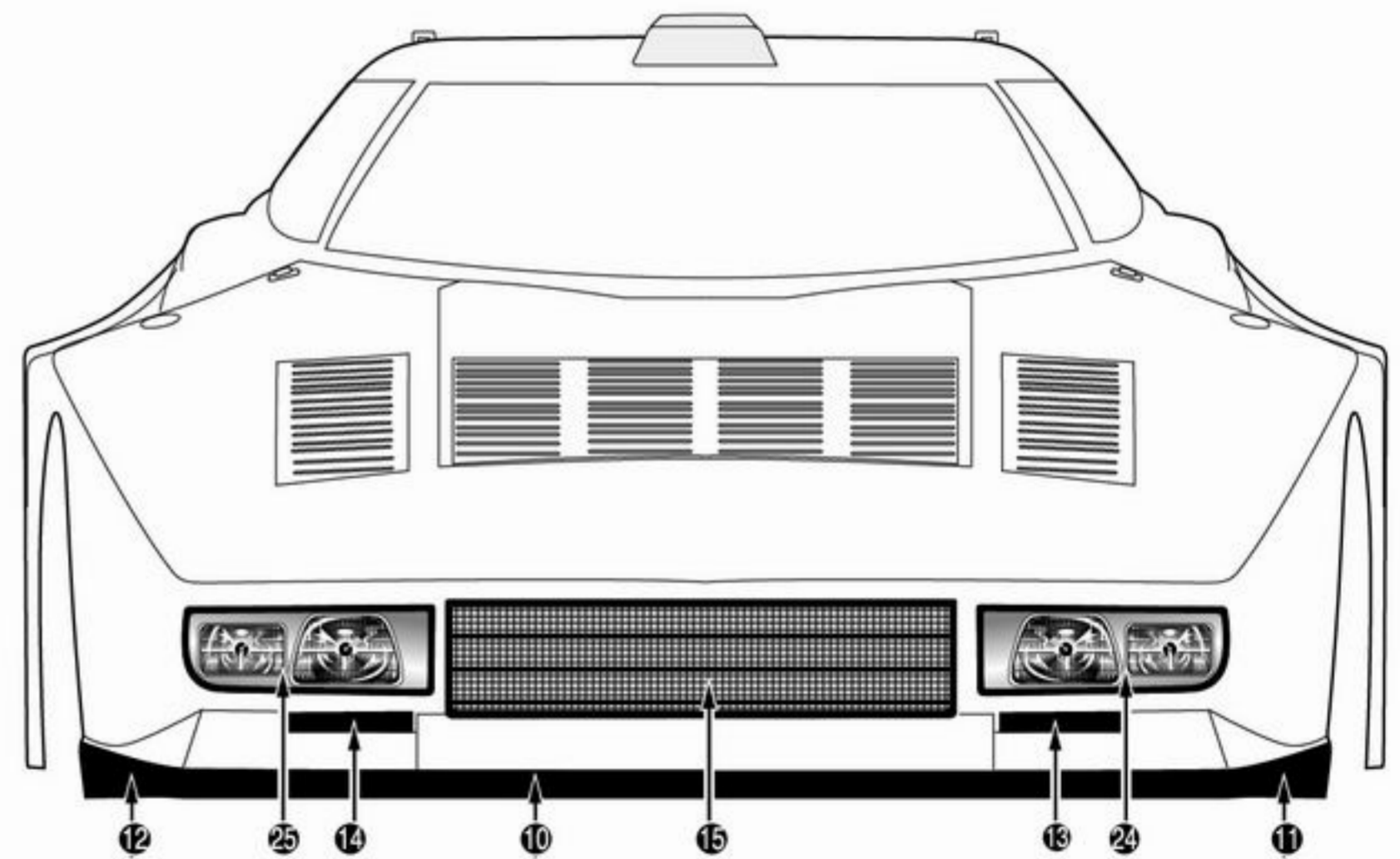
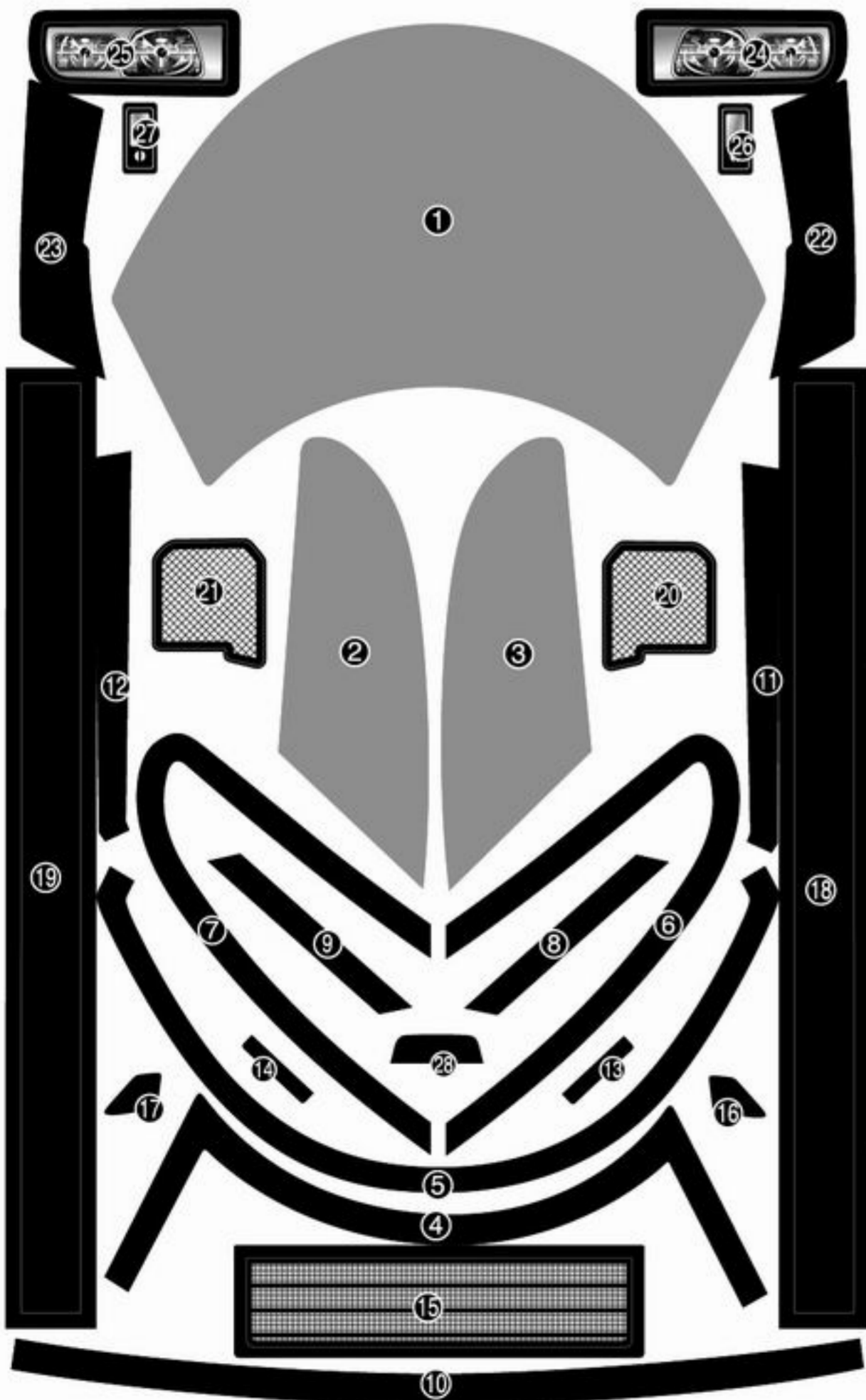
3 Decal

When making the window transparent

Non Decoration Body

When loading LED lights

► The decal numbers between brackets are only for the opposite side.



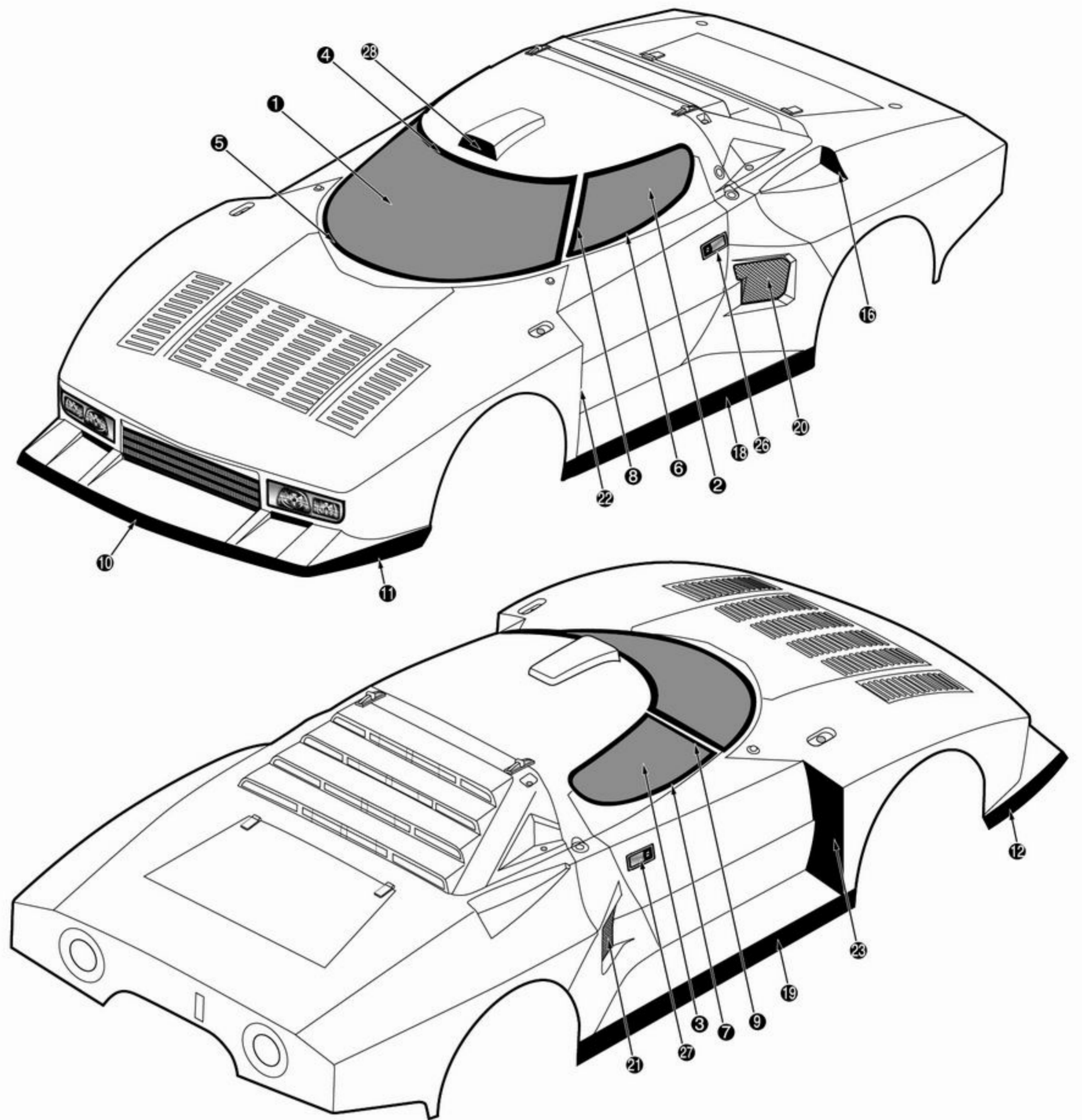
<Decal>

When making the window transparent



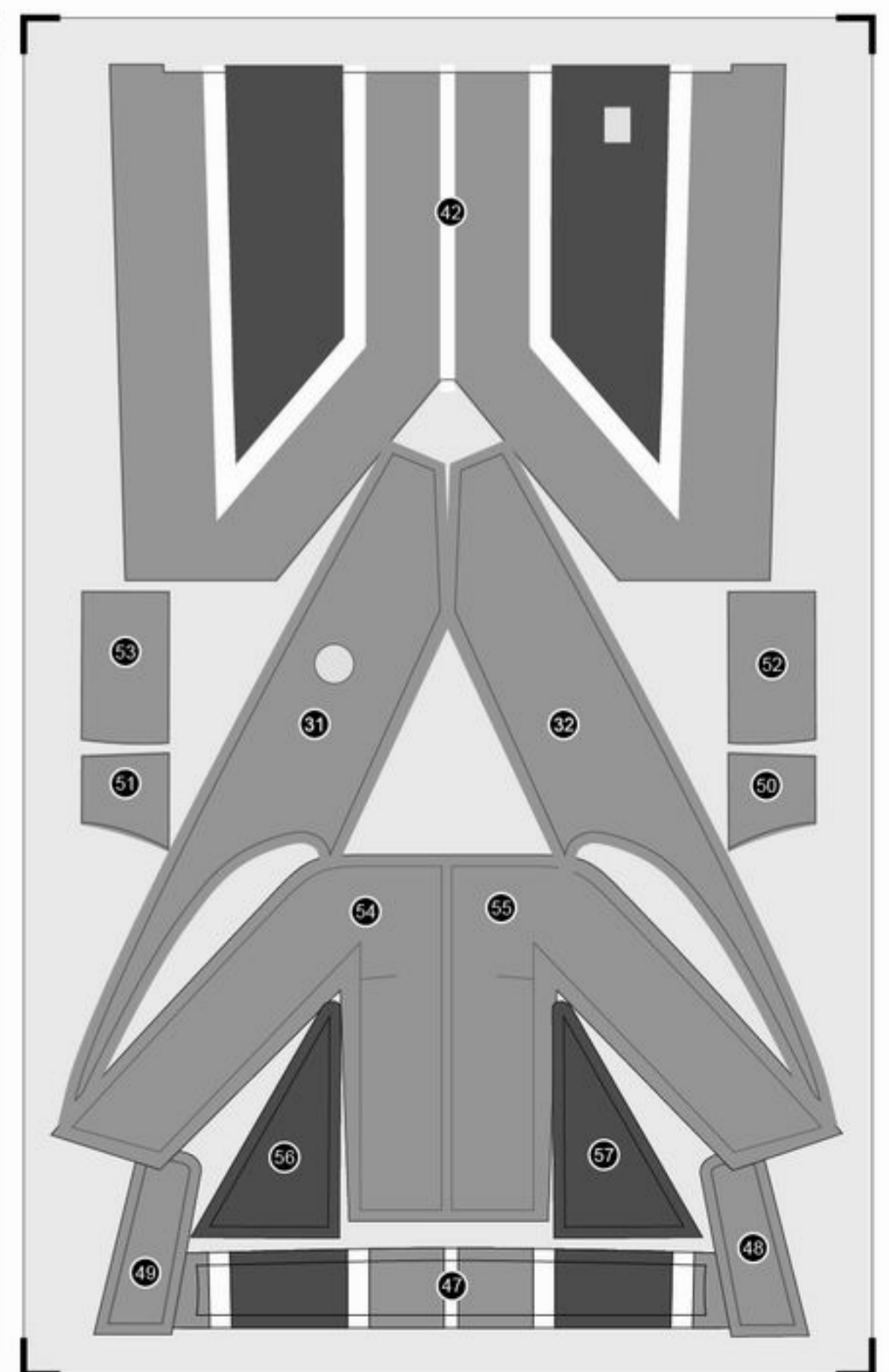
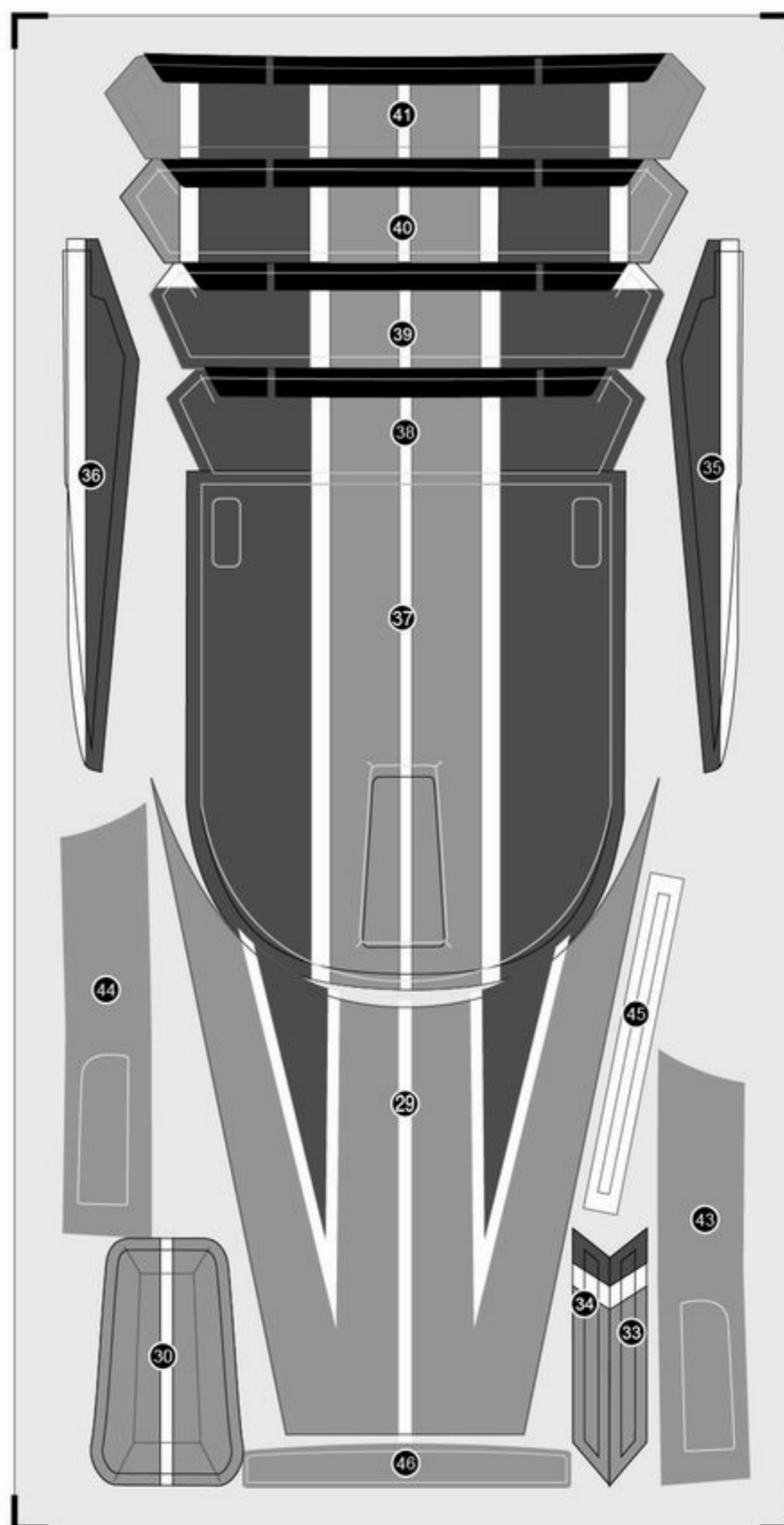
▶ 1 2 3

The translucent (smoked color) window decal is optional to stick on.

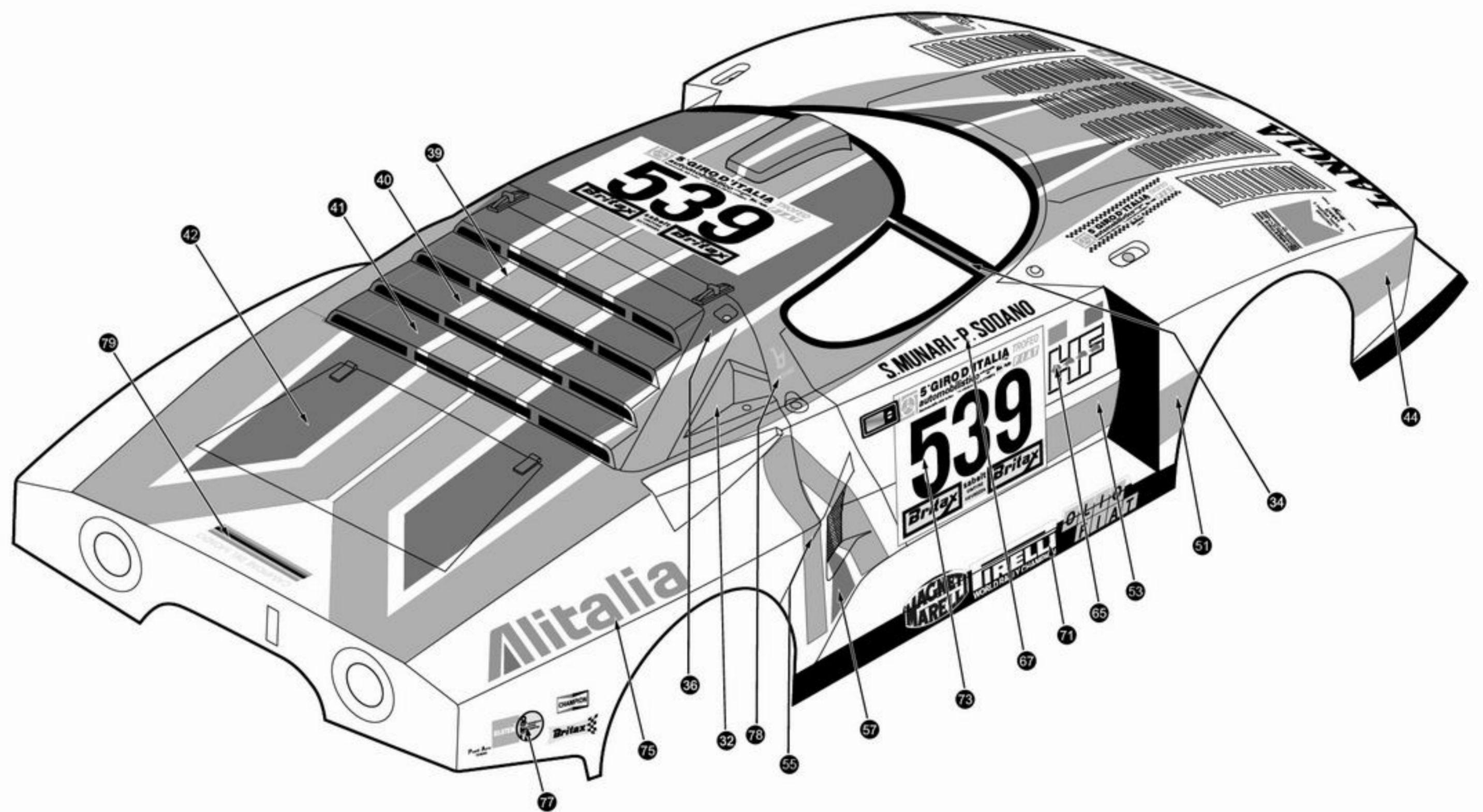
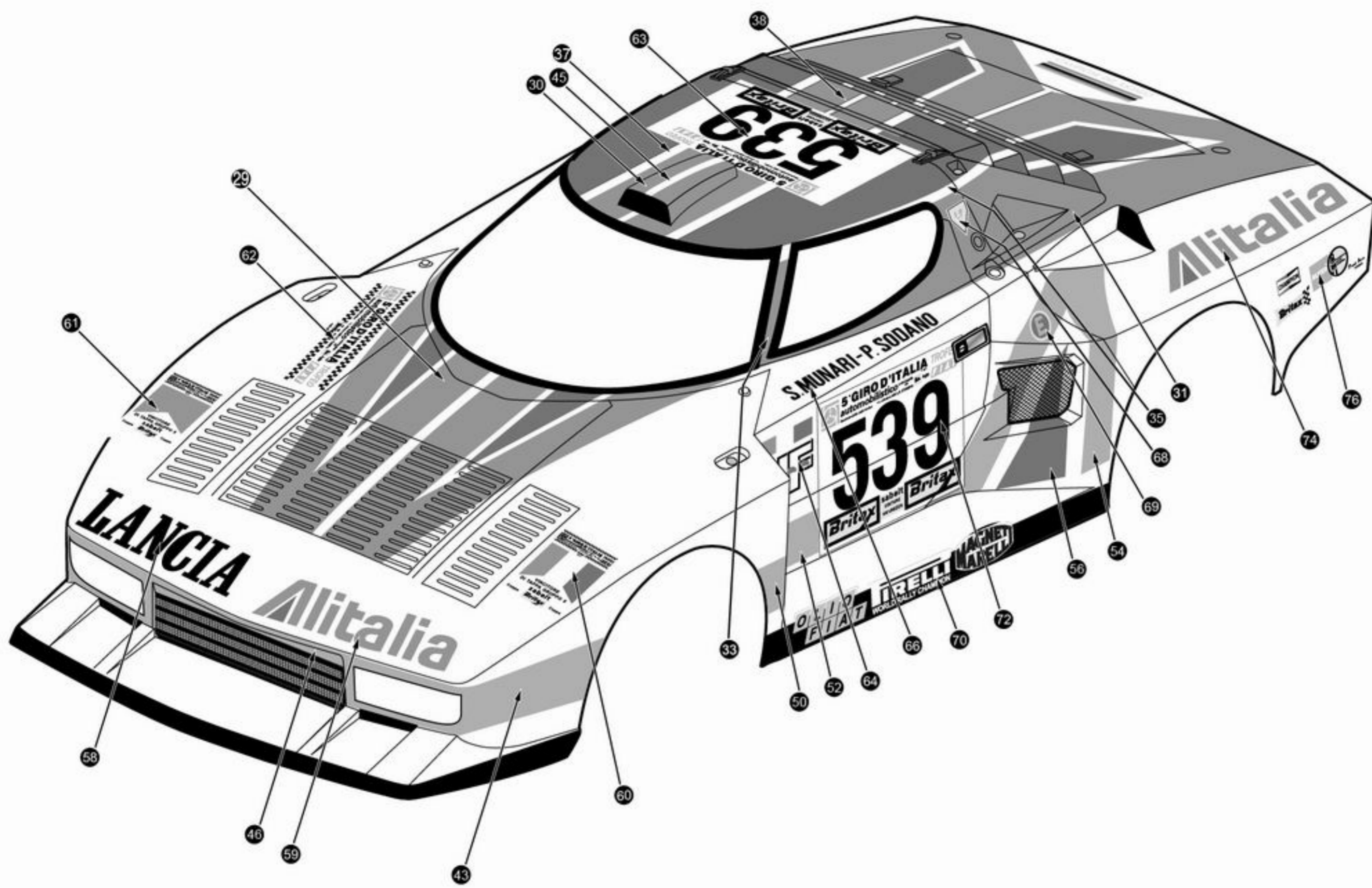


Decal for racing

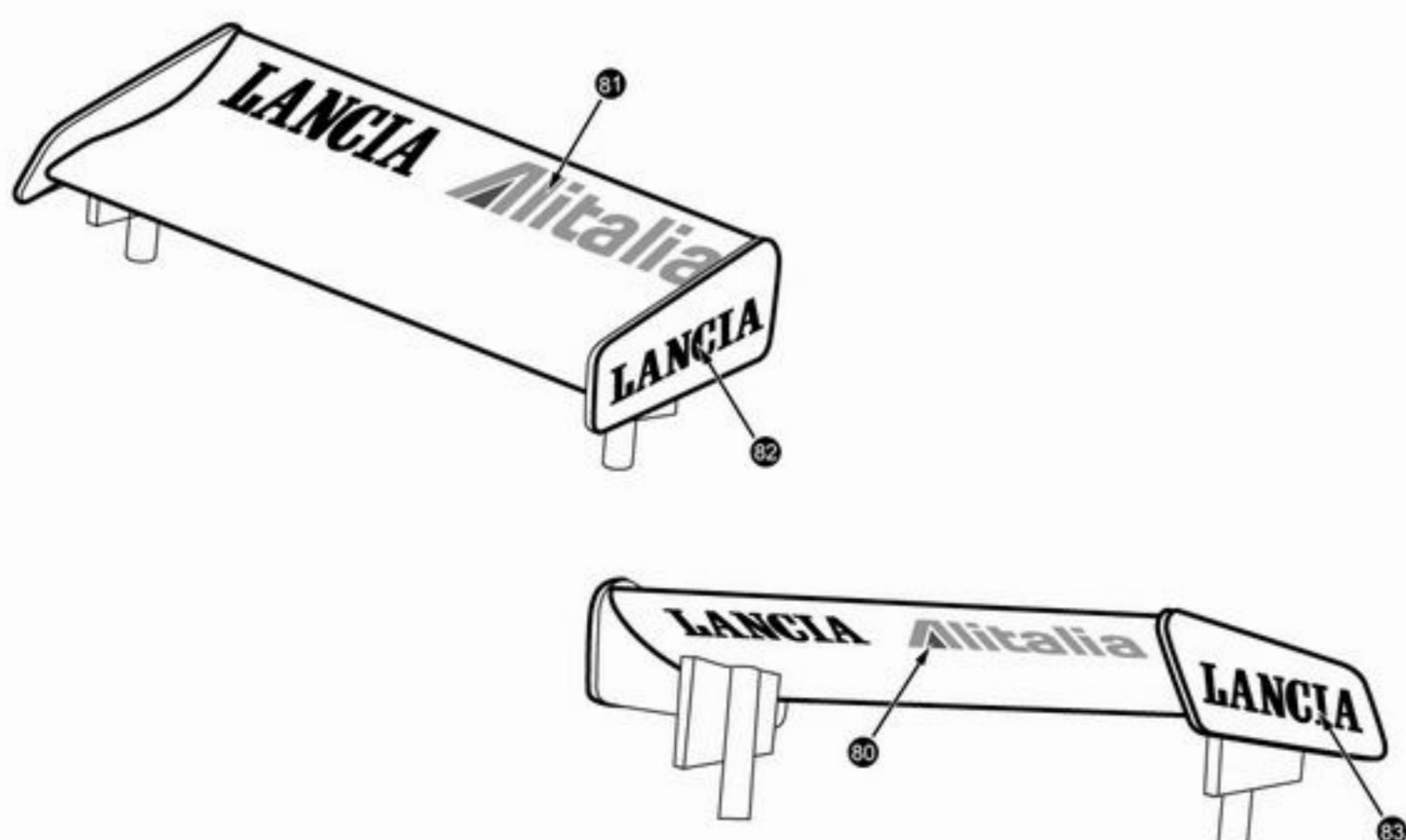
Must be purchased separately.



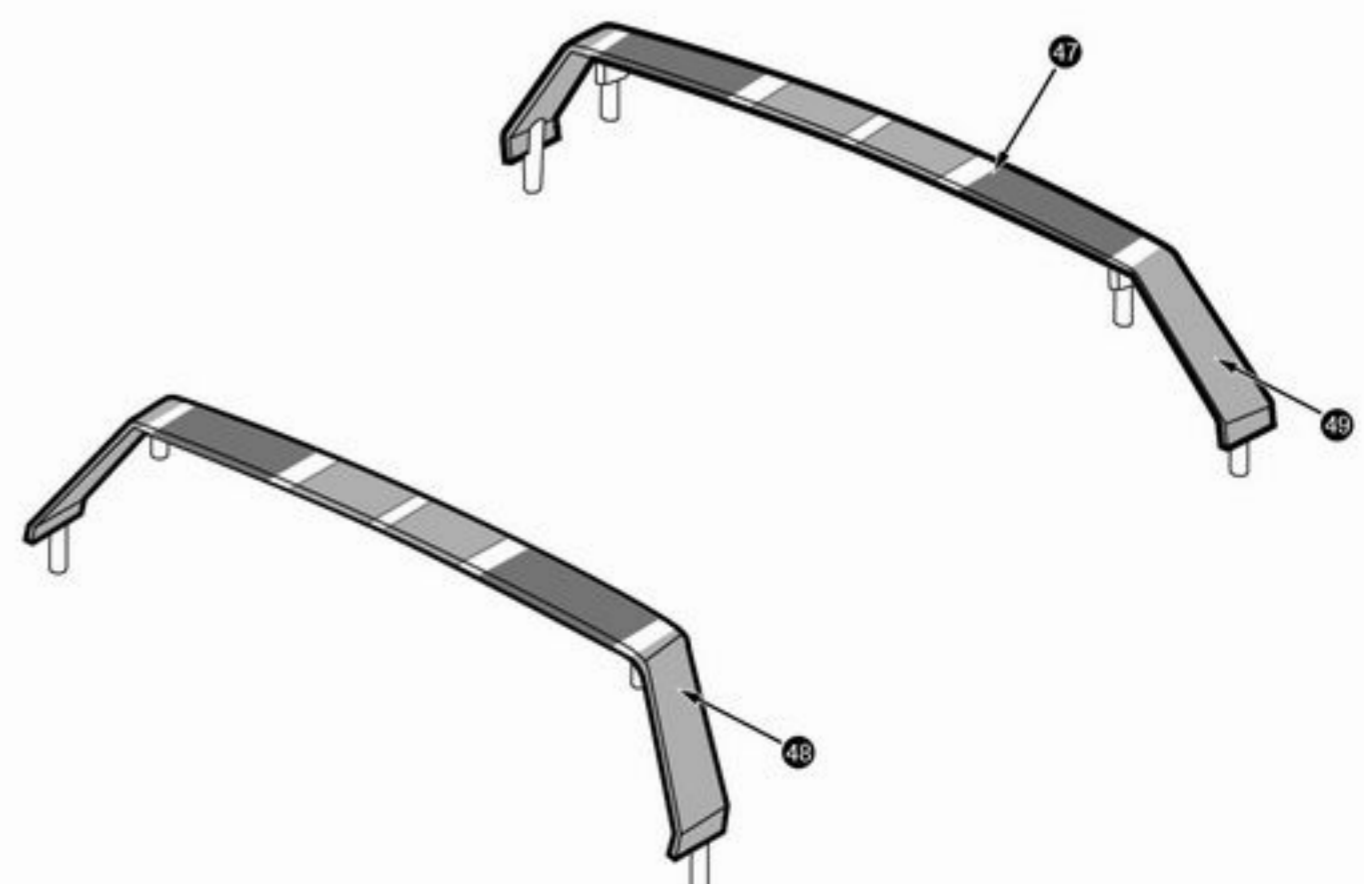
▶ Stick the decal according to the serial number.



Rear Wing





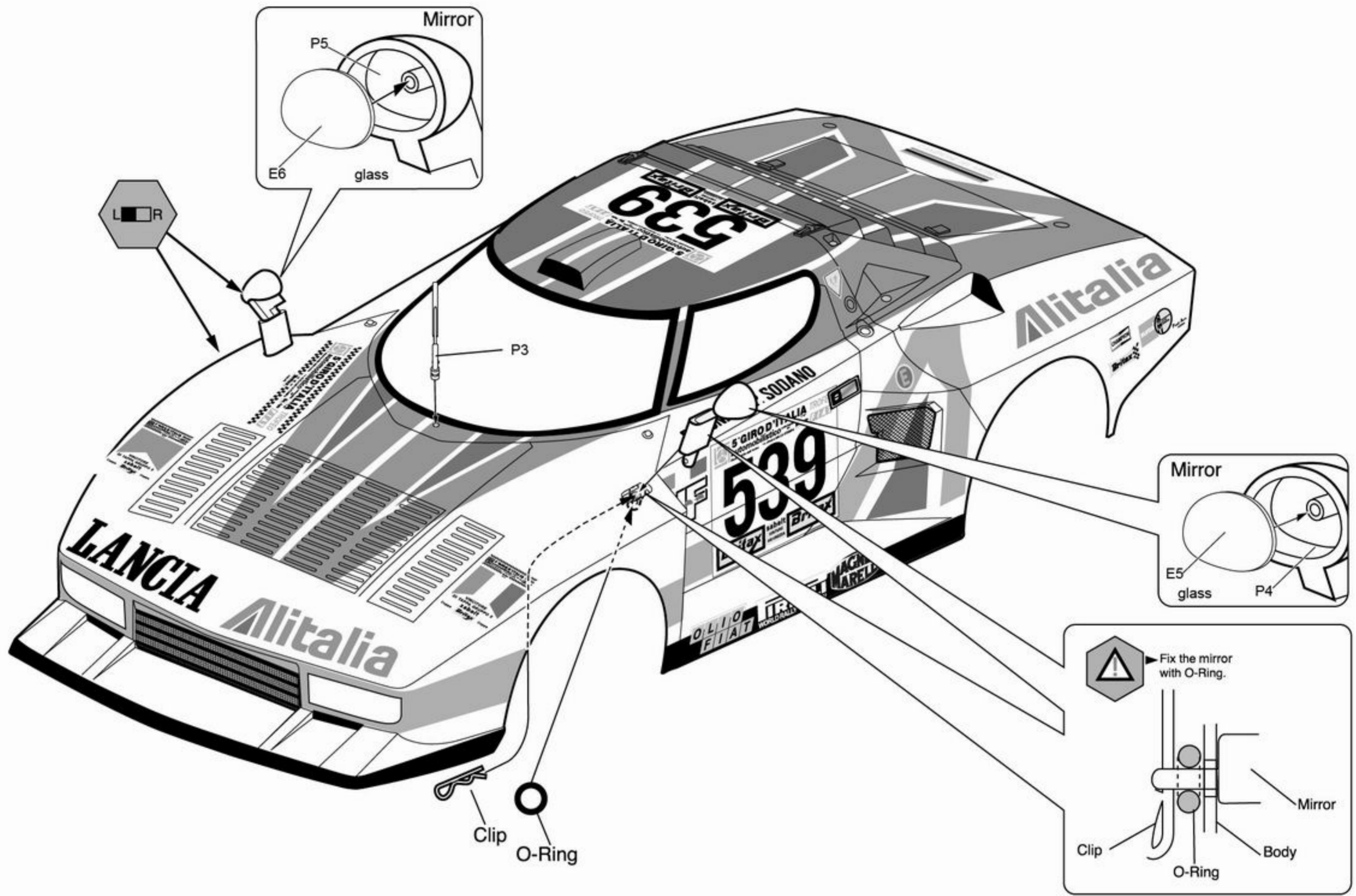
Rear Wing



4 Plastic Parts




Decoration Body	Non Decoration Body
When making the window transparent:	When loading LED lights

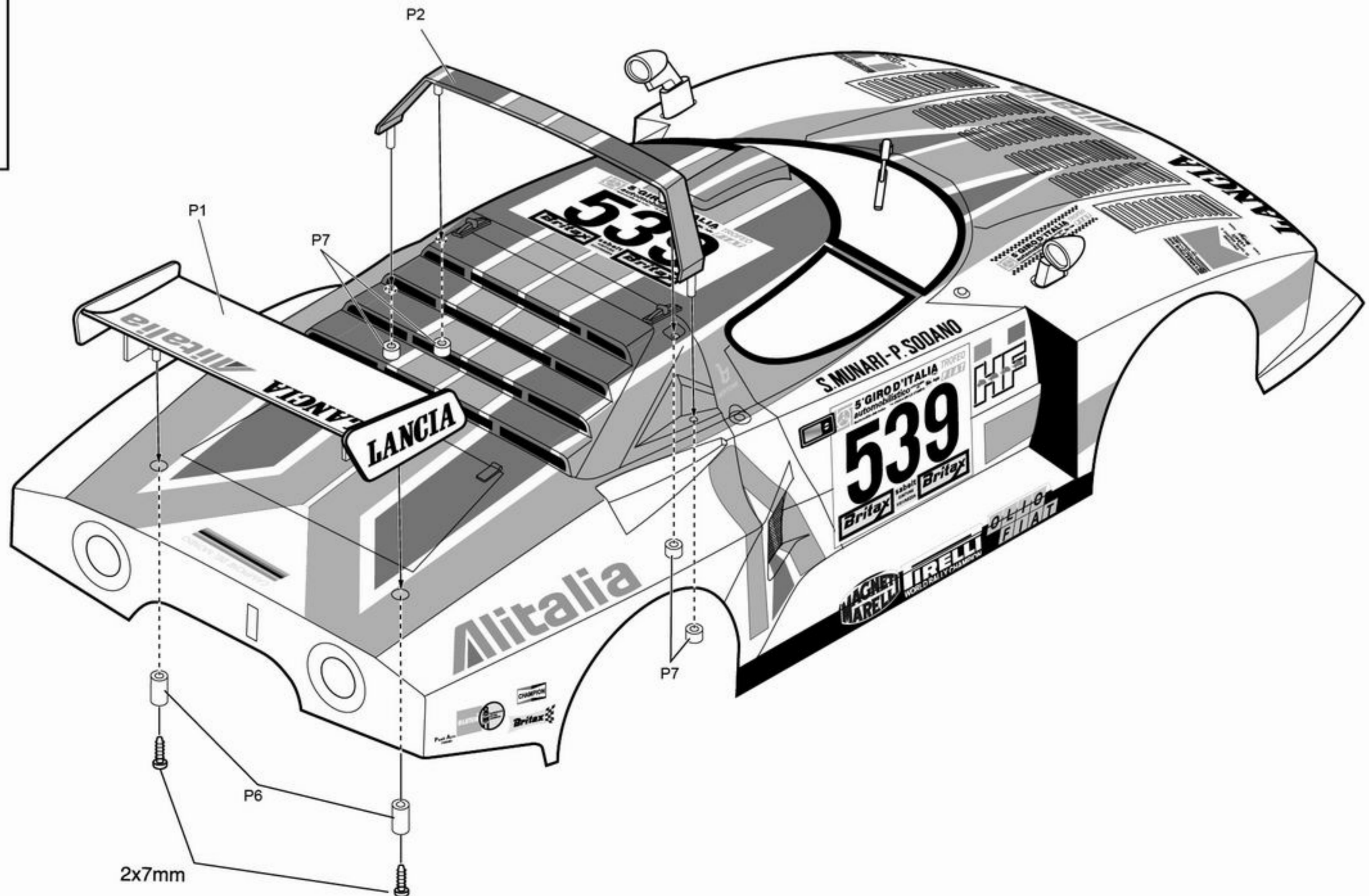
- Clip  2
- O-Ring  2



5 Rear Wing

Decoration Body	Non Decoration Body
When making the window transparent:	When loading LED lights

- 2 x 7mm F/H TP Screw  X2
-  X4
-  X2



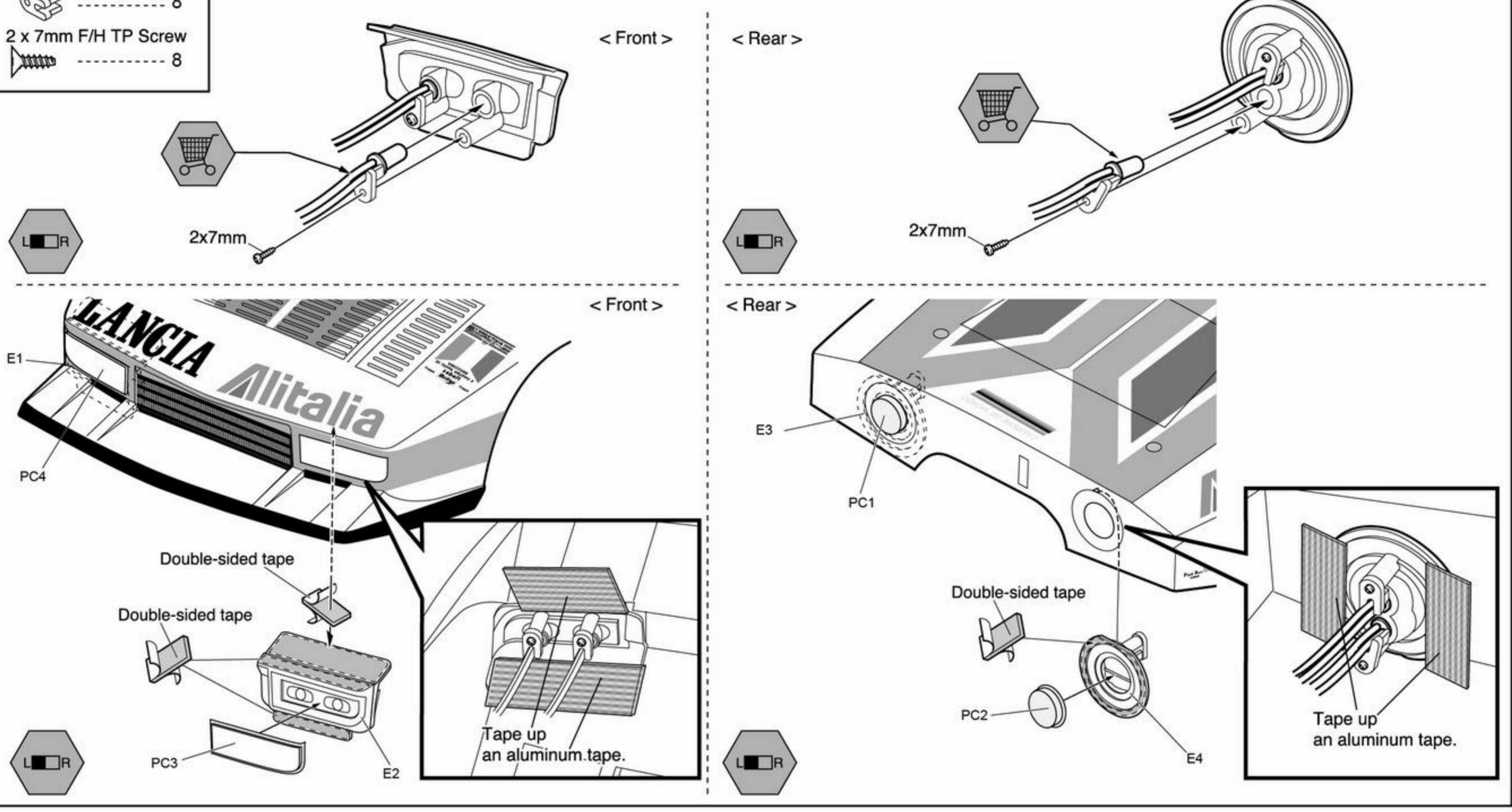
6 Plastic Parts

When loading LED lights

- LED STOPPER 8
- 2 x 7mm F/H TP Screw 8



- Please tape the wiring, etc. on the body using the attached aluminum tape.
- Please put the attached aluminum tape on the top and bottom of the headlight and the taillights.



7 Body

Decoration Body

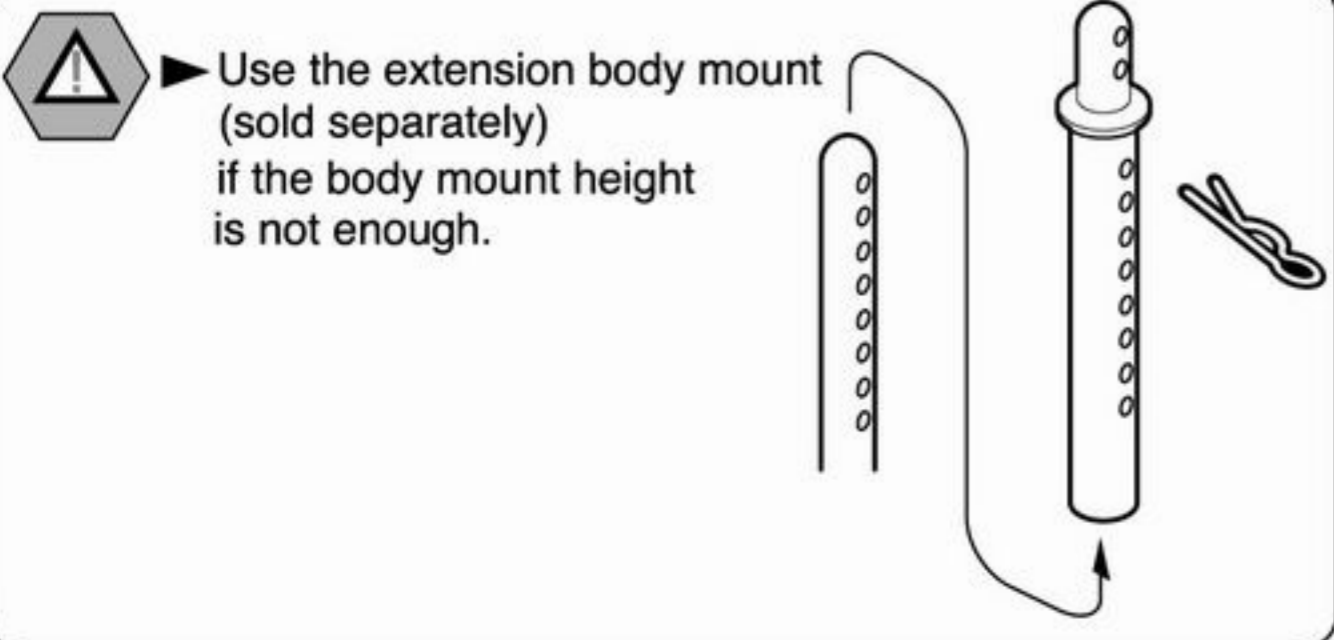
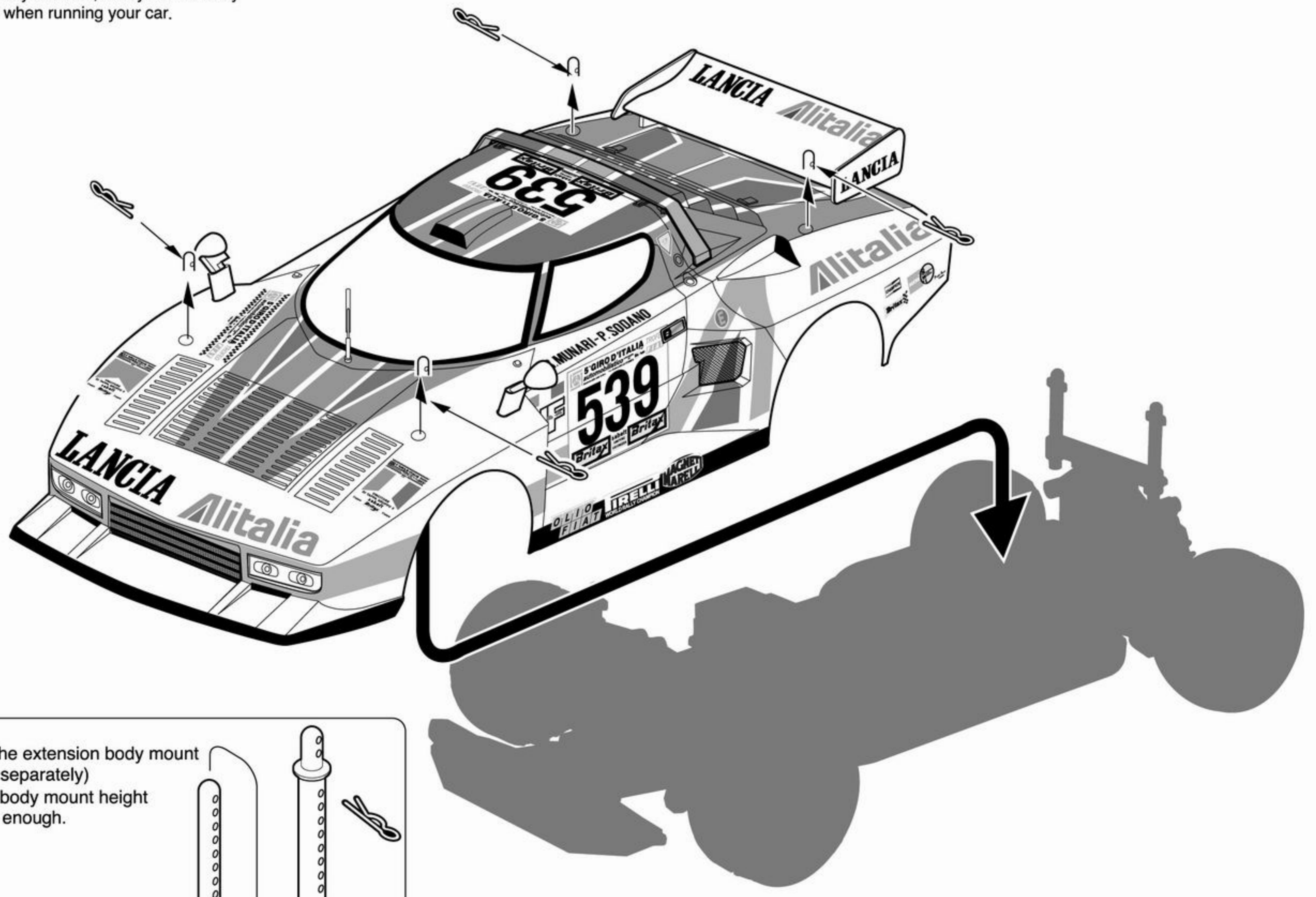
Non Decoration Body

When making the window transparent:

When loading LED lights



For safety reasons, always fit the body shell when running your car.



Option Parts & Accessory

No.	Part Names	No.	Part Names
48307	Lancia Stratos (1977 Giro d'Italia) Clear Body	48259	Drift Tire 4Pcs./Pkg 1/10 Touring Car
48250	Lancia Stratos (1977 Giro d'Italia) Finished Body Rally-racing (Printed) Light buckets assembled	48260	Drift Tire 4Pcs./Pkg 1/10 Touring Car
48308	Lancia Stratos (1977 Giro d'Italia) Body Shell Rally-racing (Printed) Trimmed & Decaled	48281	Exhaust Pipe (Can be installed with LED) 1/10 Scale
48309	Lancia Stratos (1977 Giro d'Italia) Body Shell Orange (Printed) Trimmed & Decaled	48282	Exhaust Pipe (Can be installed with LED) 1/10 Scale
48311	Lancia Stratos (1977 Giro d'Italia) Body Shell Green (Printed) Trimmed & Decaled	48283	Exhaust Pipe (Can be installed with LED) 1/10 Scale
48310	Lancia Stratos (1977 Giro d'Italia) Finished Body Orange (Printed) Light buckets assembled	48284	Exhaust Pipe (Can be installed with LED) 1/10 Scale
48312	Lancia Stratos (1977 Giro d'Italia) Finished Body Green (Printed) Light buckets assembled	48231	Moveable Fuel Door 1/10 Scale
48313	Decal Sheet Lancia Stratos (1977 Giro d'Italia)	48351	Number Plate W/LED Unit Set 1/10 Scale
48314	Chromed Plastic Parts Set Lancia Stratos (1977 Giro d'Italia)	48242	Dashboard (Right) 1/10 Scale
48315	Chromed Light Bucket Lancia Stratos (1977 Giro d'Italia)	48241	Dashboard (Left) 1/10 Scale
48316	Molded Plastic Parts Lancia Stratos (1977 Giro d'Italia)	48245	Navigator Set 1/10 Scale
48317RED	Aluminum Alloy Wheel Lancia Stratos (1977 Giro d'Italia)	48235	Chromed Plastic Door Handle 1/10 Scale
48317SIL	Aluminum Alloy Wheel Lancia Stratos (1977 Giro d'Italia)	48236	Black Plastic Door Handle 1/10 Scale
48317SIGY	Aluminum Alloy Wheel Lancia Stratos (1977 Giro d'Italia)	48350	Hooks & Rings Set (Diecast alloy) 1/10 Scale
48357	Wing Mirror W/LED Unit Set 1/10 Touring Car	48361	Hooks & Rings Set (Diecast alloy) 1/10 Scale
48358	Wing Mirror W/LED Unit Set 1/10 Touring Car	48274	Body Clip 1/10 Scale
48359	Wing Mirror W/LED Unit Set 1/10 Touring Car	48273	Body Rope w/Clip Set (Metal) 120mm
48360	Wing Mirror W/LED Unit Set 1/10 Touring Car	48362	Body Rope w/Clip Set (Metal) 100mm
48352	Bodyshell Basic Plastic Parts 1/10 Touring Car	48363	Body Rope w/Clip Set (Metal) 80mm
48353	Moveable Headlight 1/10 Touring Car	48365GD	Flange Locknut (Aluminum alloy) Gold
48354BLK	Aluminum Alloy Wheel 1/10 Touring Car	48365BK	Flange Locknut (Aluminum alloy) Black
48354GLD	Aluminum Alloy Wheel 1/10 Touring Car	48365RD	Flange Locknut (Aluminum alloy) Red
48354SIGY	Aluminum Alloy Wheel 1/10 Touring Car	48365SL	Flange Locknut (Aluminum alloy) Silver
48355	Caliper Brake Disc (CNC Aluminum) 2 Bigger & 2 Smaller 1/10 Touring Car	48365GY	Flange Locknut (Aluminum alloy) Grey
48356	Caliper Brake Disc (CNC Aluminum) 2 Bigger & 2 Smaller 1/10 Touring Car		
48276	Aluminum Alloy Intercooler w/Installation Parts 1/10 Touring Car		
48366	Aluminum Alloy Intercooler w/Installation Parts 1/10 Touring Car		
48232SL	Carbon Car Tail Silver 1/10 Touring Car		
48232BK	Carbon Car Tail Black 1/10 Touring Car		
48263	Wheel 6mm offset 4Pcs./Pkg 1/10 Touring Car		
48264	Wheel 3mm offset 4Pcs./Pkg 1/10 Touring Car		
48265	Wheel 3mm offset 4Pcs./Pkg 1/10 Touring Car		
48364	Wheel 6mm offset 4Pcs./Pkg 1/10 Touring Car		
48258	Drift Tire 4Pcs./Pkg 1/10 Touring Car		

WWW.KILLERBODYRC.COM