

Lancia Delta HF Integrale

BODY SHELL

Official Licensed Product

NO.48285

killerbody™

1/10 RC PLANNING INSTRUCTION SHEET

This body can be used with 1/10 electric touring car chassis (Long Wheelbase: 257mm Width: 195mm)

Before beginning assembly, please read these instructions thoroughly!

● Symbols used throughout the instruction manual, comprise:



Cut off shaded portion.



5mm
Drill holes with
the specified diameter.



Pay close attention here!



Must be purchased
separately.



Assemble left and right sides
the same way.



● Before Assembly

Decoration Body

- In the case of a decoration body, please assemble it according to the contents showed.

When making the window transparent:

- If you want to make the window transparent with a non decoration body, please assemble it according to the contents showed.

Non Decoration Body

- In the case of non decoration body, please assemble it according to the contents showed.





When loading LED lights

- If you want to load LED lights with a non decoration body, please assemble it according to the contents showed.

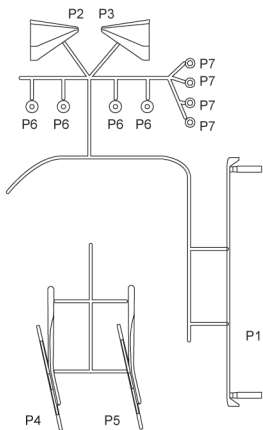
PARTS

BODY	-----	X1
PLASTIC PARTS	-----	X1
ELECTROPLATED PARTS	-----	X1
PC PARTS	-----	X1
DECAL SHEET	-----	X1
WINDOW MASKS	-----	X1
SILVER MIRROR DECAL	-----	X1

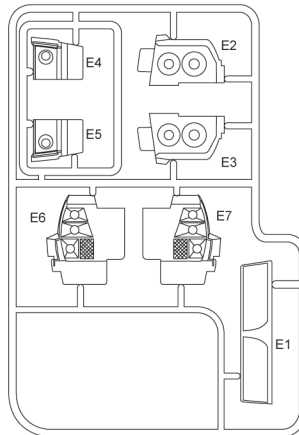
PARTS BAG

	LED STOPPER	-----	X12
	Clip	-----	X2
	O-Ring	-----	X2
	TAPPING SCREW	-----	X16
	DOUBLE-SIDED TAPE	-----	X1
	ALUMINUM TAPE	-----	X1

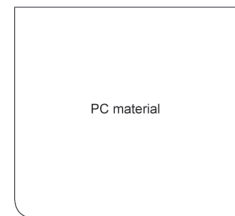
PLASTIC PARTS



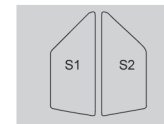
ELECTROPLATED PARTS



PC PARTS



SILVER MIRROR DECAL

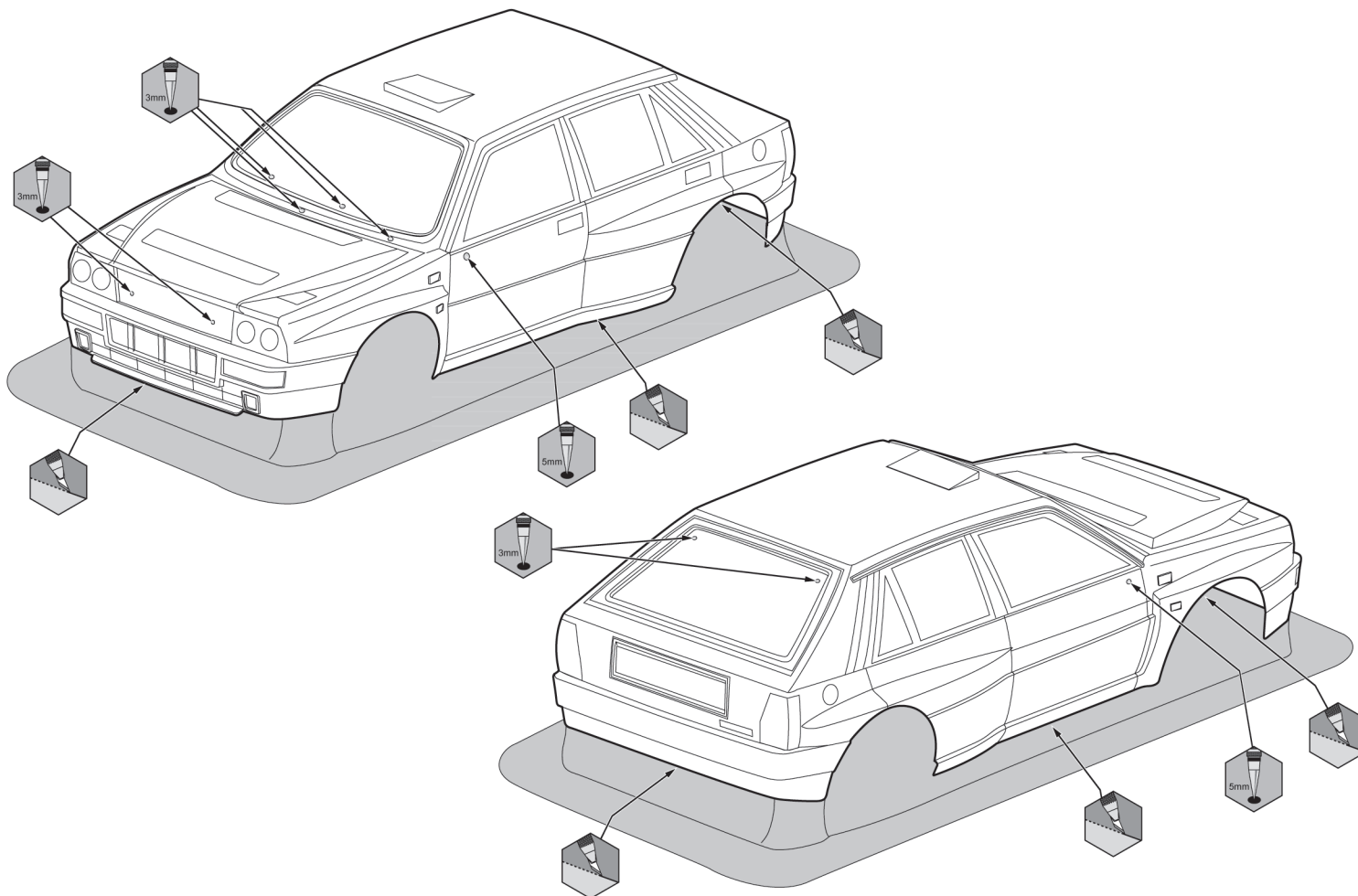


1 Body Shell

When making the window transparent:

Non Decoration Body

When loading LED lights



2 Painting

Non Decoration Body

When loading LED lights

- Before painting, use a neutral detergent to remove any oil residues and dirt.

When making the window transparent:

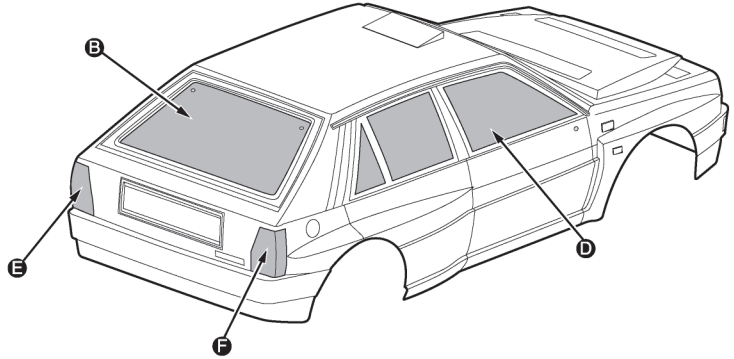
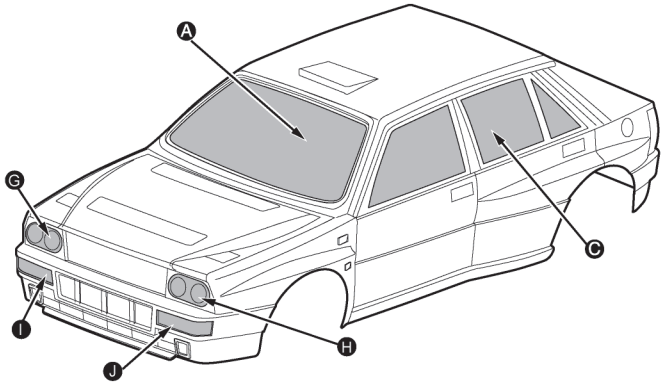
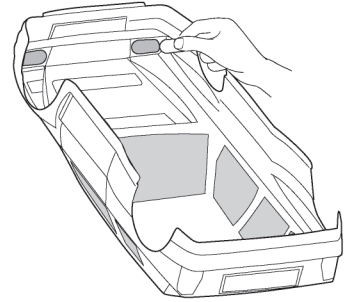
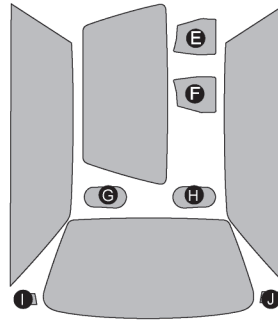
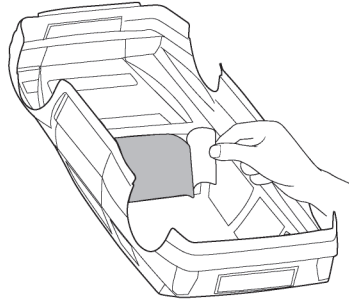
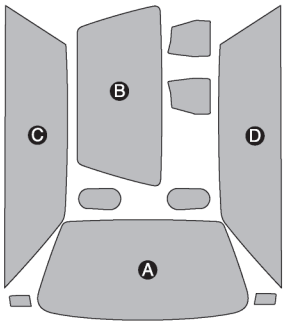


When making the window transparent:

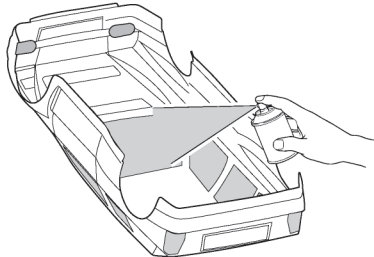
2 Mask the windows from the inside.

2 Mask the lights from the inside.

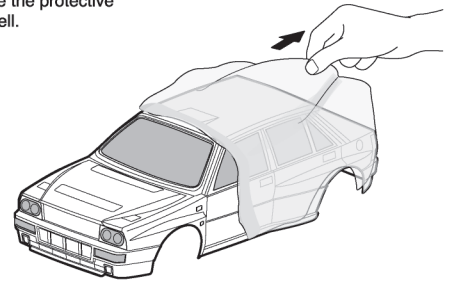
When loading LED lights



3 Paint the body shell from the inside, Rear Wing from the outside using spray colors.



4 After painting, remove the protective film from the body shell.



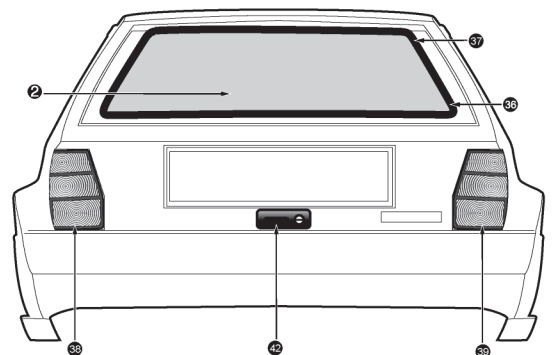
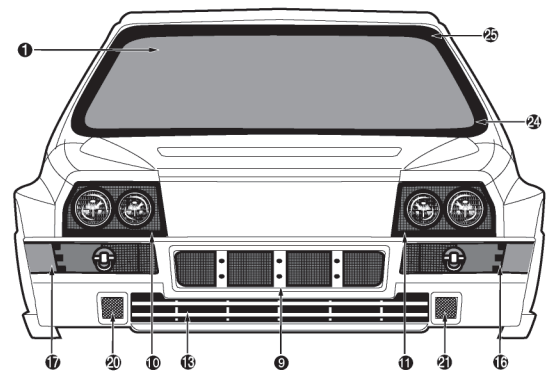
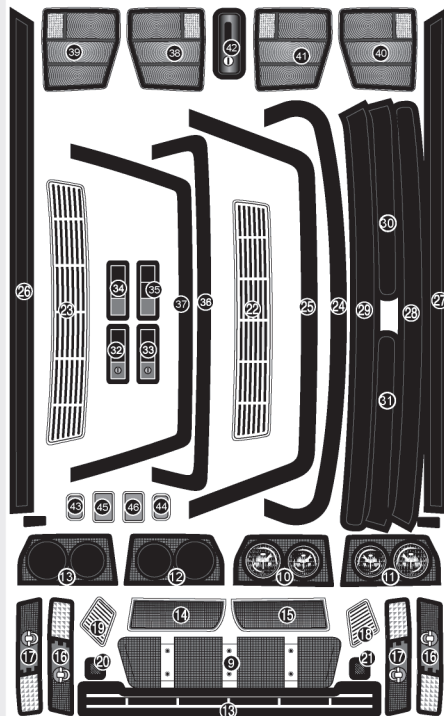
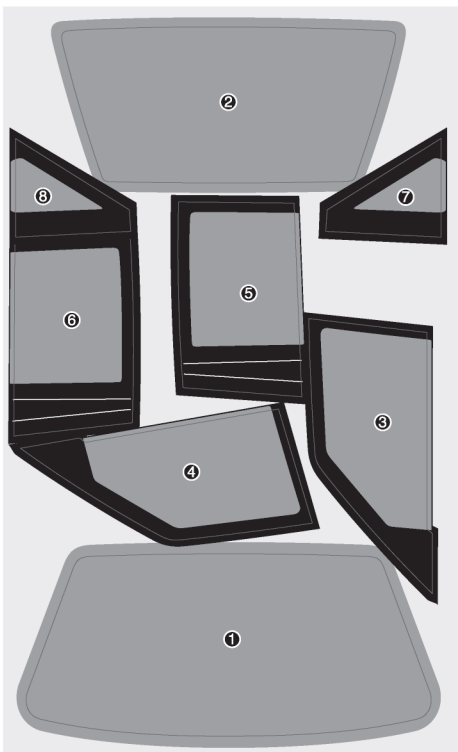
3 Decal

Non Decoration Body

When making the window transparent

When loading LED lights

► The decal numbers between brackets are only for the opposite side.

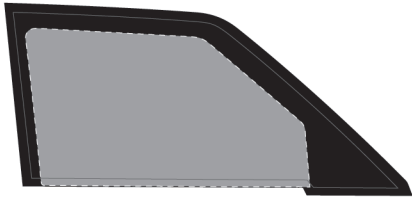


<Decal>

When making the window transparent



▶ 3 4 5 6 7 8
Cut the translucent (smoked color) part.

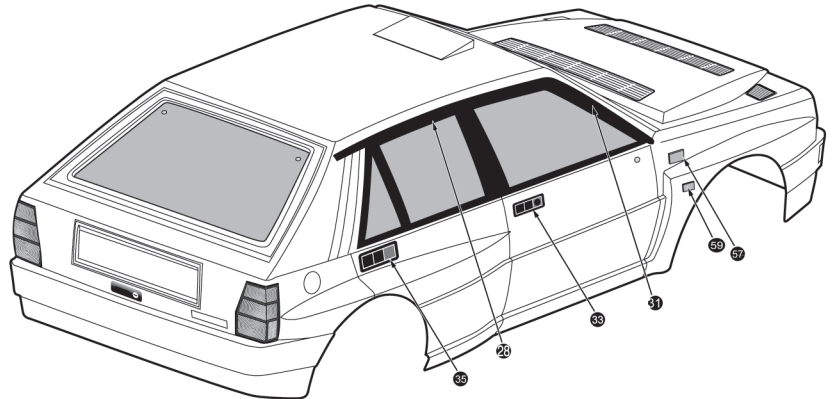
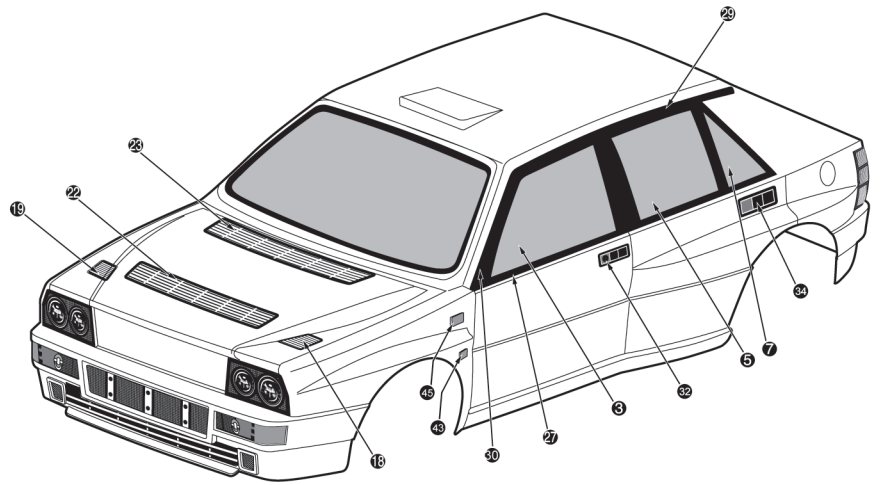


When reproducing the light by decal

▶ Change the decal according to the following contents.

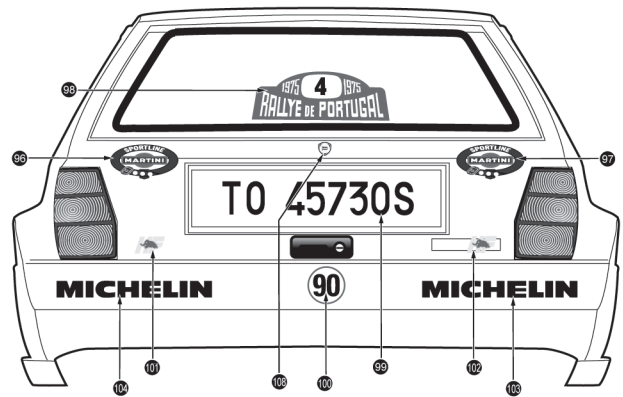
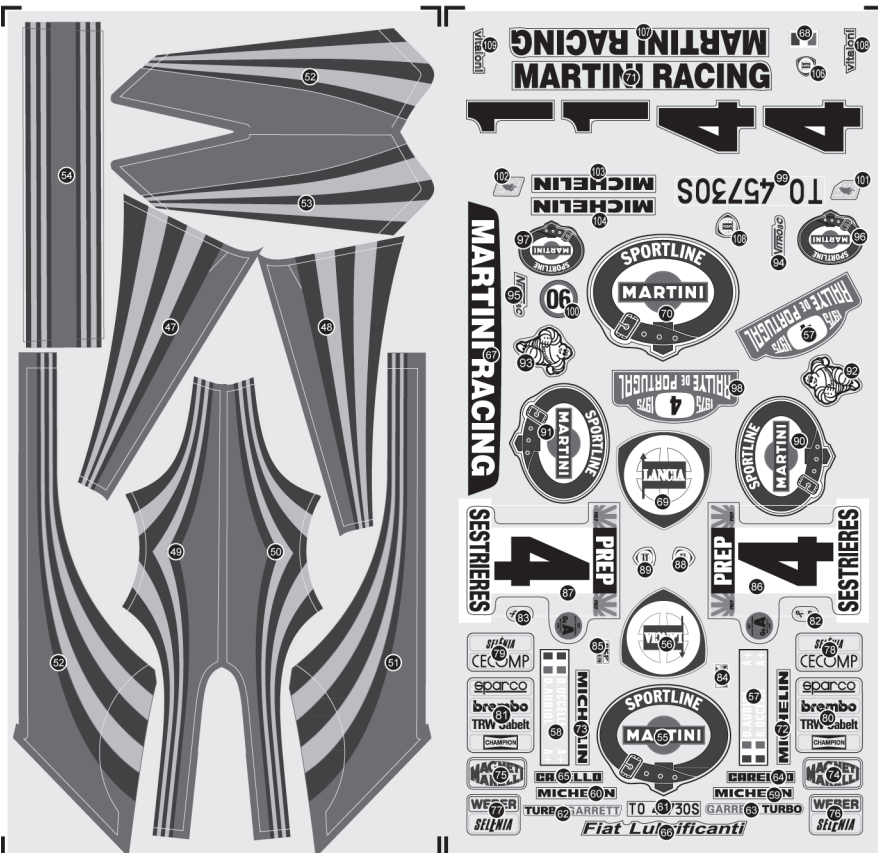
10 → 13

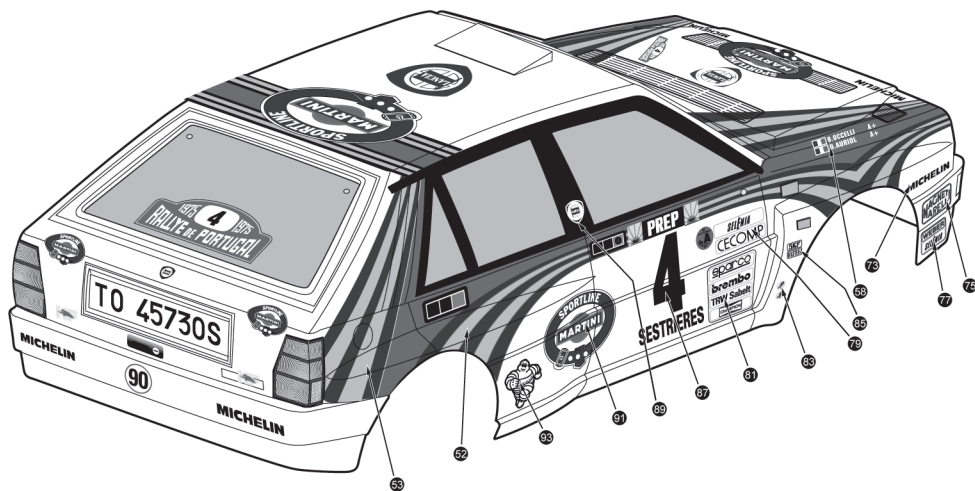
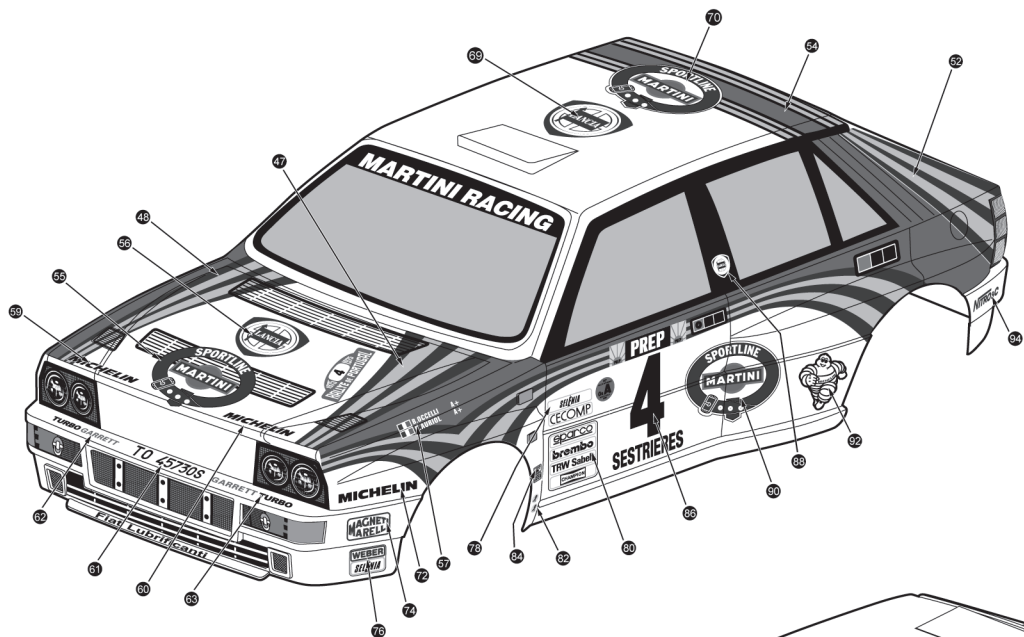
11 → 12



Decal for racing

Must be purchased separately.





4 Plastic Parts

Decoration Body

When making the window transparent:

Non Decoration Body

When loading LED lights

Clip

-----X2

O-Ring

-----X2

PLASTIC PARTS

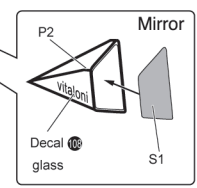
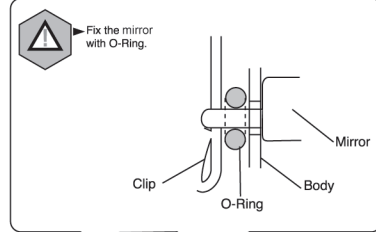
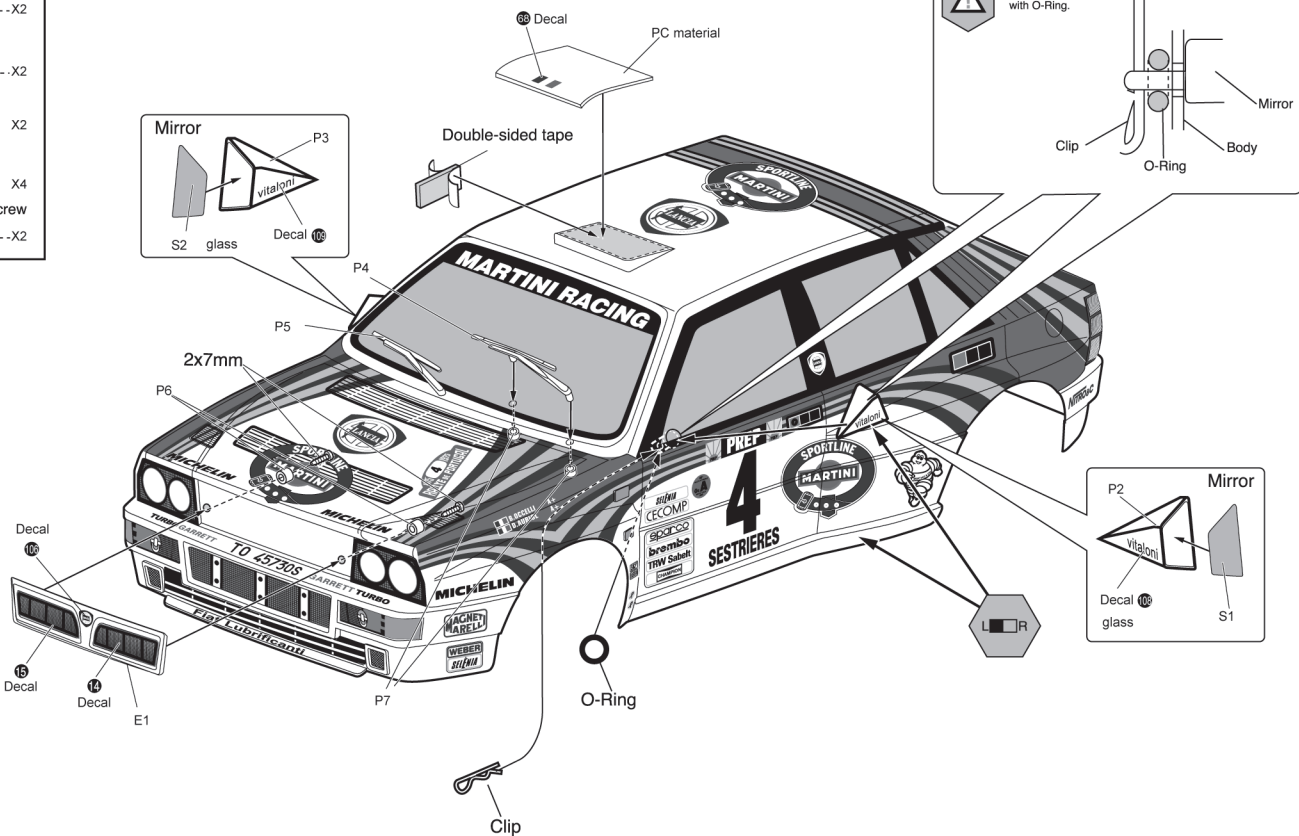
----- X2

PLASTIC PARTS

----- X4

2 x 7mm F/H TP Screw

-----X2



5 Rear Wing

Decoration Body

Non Decoration Body

When making the window transparent:

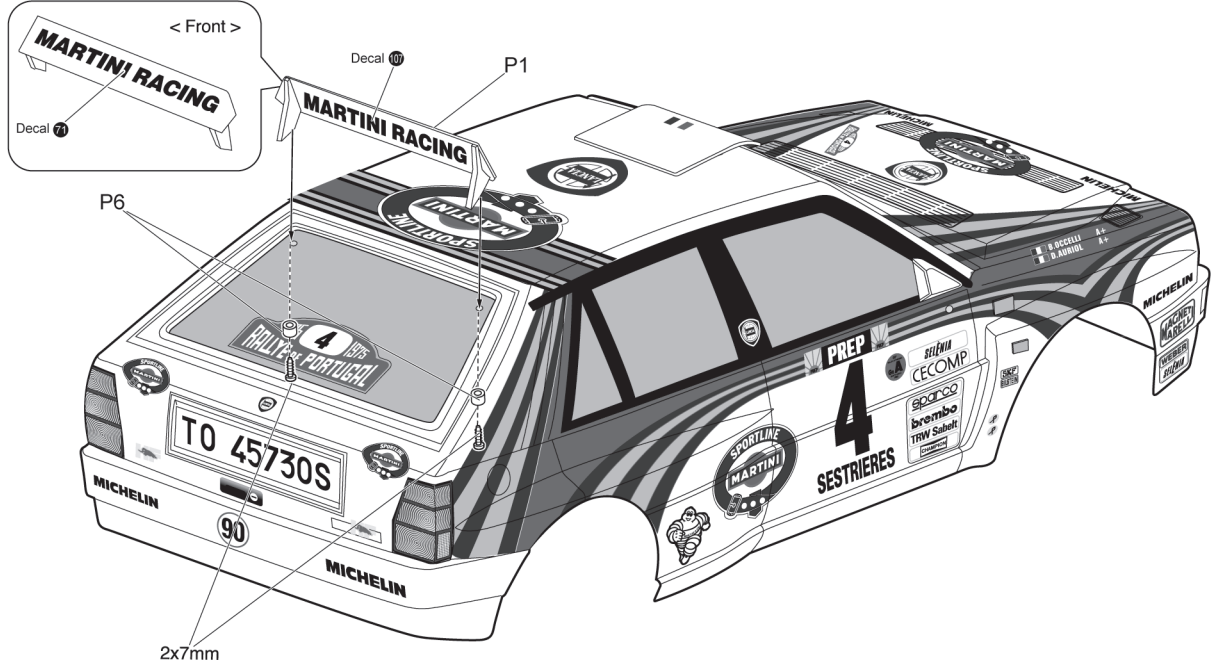
When loading LED lights

2 x 7mm F/H TP Screw

X2

PLASTIC PARTS

X2



6 Plastic Parts

When loading LED lights

LED STOPPER

X2

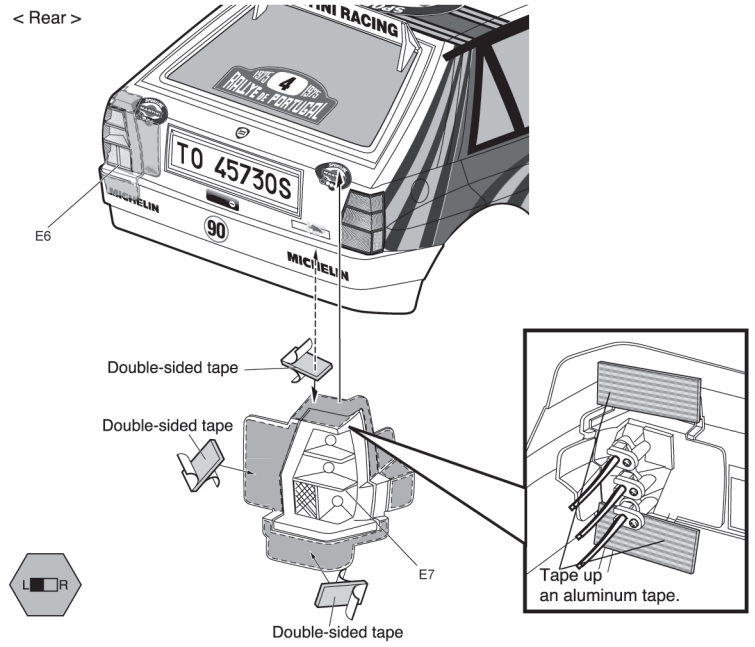
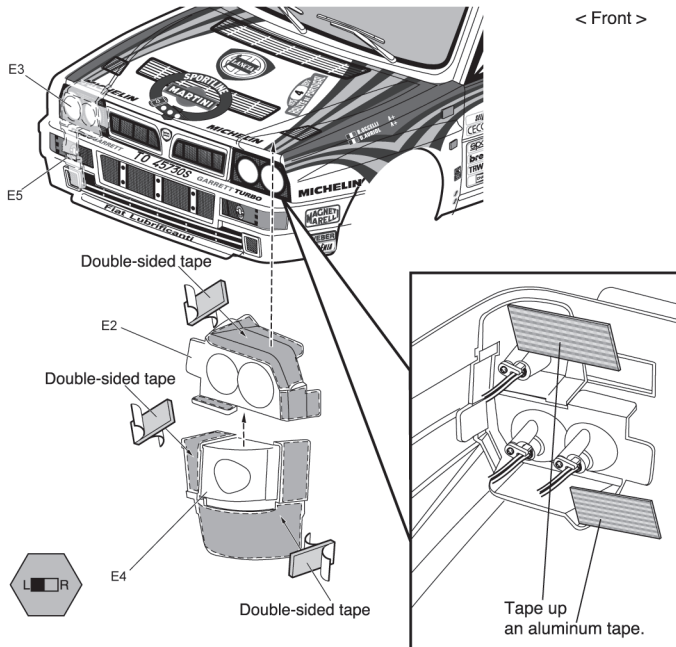
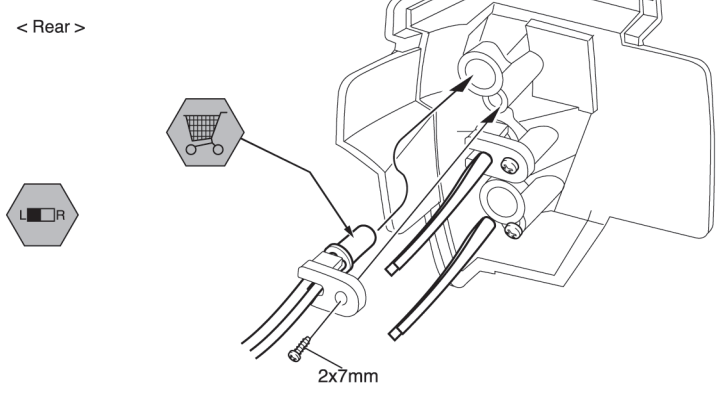
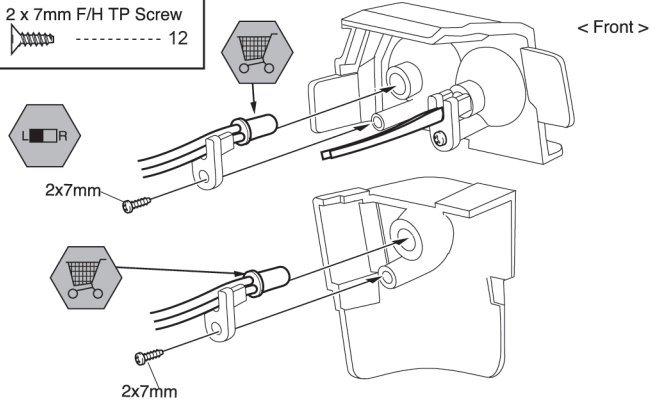
2 x 7mm F/H TP Screw

X2



▶ Please tape the wiring, etc. on the body using the attached aluminum tape.

▶ Please put the attached aluminum tape on the top and bottom of the headlight and the taillights.



7 Body

Decoration Body

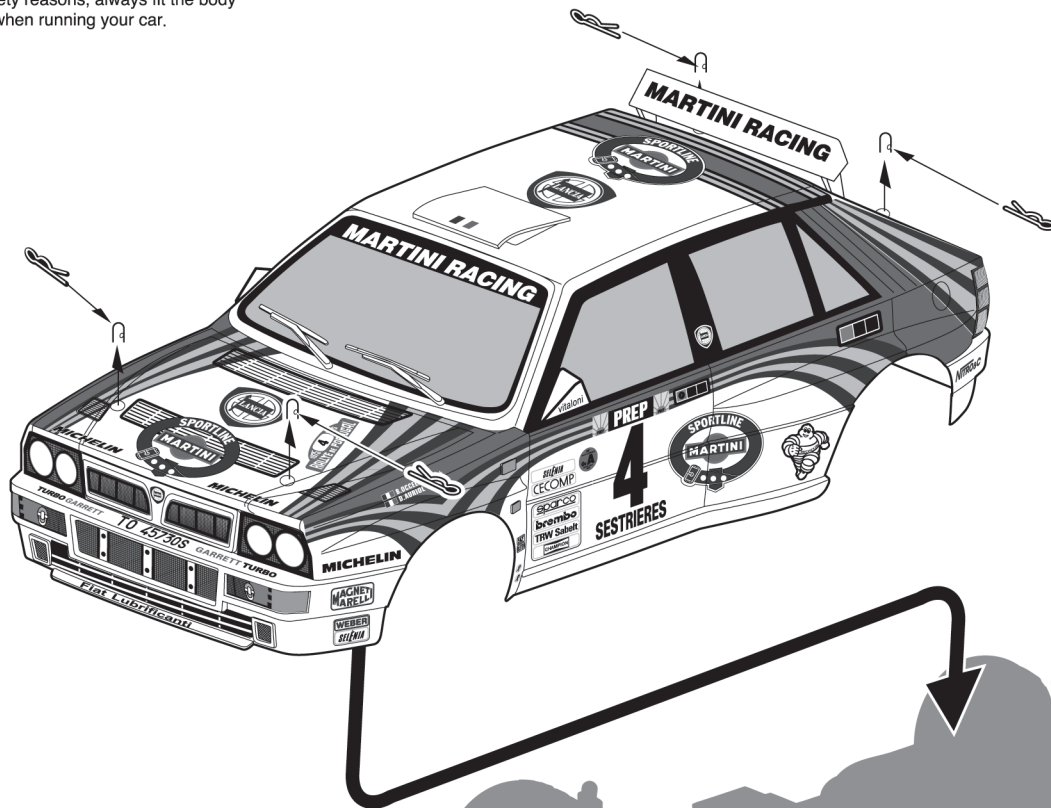
Non Decoration Body

When making the window transparent:

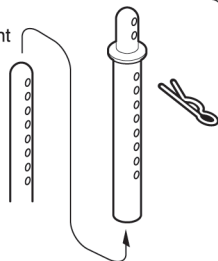
When loading LED lights



► For safety reasons, always fit the body shell when running your car.



► Use the extension body mount (sold separately) if the body mount height is not enough.



Option Parts & Accessory

No.	Part Names	No.	Part Names
48285	Lancia Delta HF Integrale Clear Body	48354BLK	Aluminum Alloy Wheel 1/10 Touring Car
48248	Lancia Delta HF Integrale Finished Body Rally-racing (Printed) Light buckets assembled	48354GLD	Aluminum Alloy Wheel 1/10 Touring Car
48286	Lancia Delta HF Integrale Body Shell White (Printed) Trimmed & Decaled	48354SIGY	Aluminum Alloy Wheel 1/10 Touring Car
48287	Lancia Delta HF Integrale Body Shell Red (Printed) Trimmed & Decaled	48355	Caliper Brake Disc (CNC Aluminum) 2 Bigger & 2 Smaller 1/10 Touring Car
48288	Lancia Delta HF Integrale Finished Body Red (Printed) Light buckets assembled	48356	Caliper Brake Disc (CNC Aluminum) 2 Bigger & 2 Smaller 1/10 Touring Car
48289	Lancia Delta HF Integrale Body Shell Black (Printed) Trimmed & Decaled	48276	Aluminum Alloy Intercooler w/Installation Parts 1/10 Touring Car
48290	Lancia Delta HF Integrale Finished Body Black (Printed) Light buckets assembled	48366	Aluminum Alloy Intercooler w/Installation Parts 1/10 Touring Car
48291	Decal Sheet (Lancia Delta HF Integrale)	48232SL	Carbon Car Tail Silver 1/10 Touring Car
48292	Chromed Plastic Parts Set (Lancia Delta HF Integrale)	48232BK	Carbon Car Tail Black 1/10 Touring Car
48293	Chromed Light Bucket (Lancia Delta HF Integrale)	48263	Wheel 6mm offset 4Pcs./Pkg 1/10 Touring Car
48294	Black Plastic Parts (Lancia Delta HF Integrale)	48264	Wheel 3mm offset 4Pcs./Pkg 1/10 Touring Car
48295BLK	Aluminum Alloy Wheel (Lancia Delta HF Integrale)	48265	Wheel 3mm offset 4Pcs./Pkg 1/10 Touring Car
48295SIL	Aluminum Alloy Wheel (Lancia Delta HF Integrale)	48364	Wheel 6mm offset 4Pcs./Pkg 1/10 Touring Car
48295SIGY	Aluminum Alloy Wheel (Lancia Delta HF Integrale)	48258	Drift Tire 4Pcs./Pkg 1/10 Touring Car
48357	Wing Mirror w/LED Unit Set 1/10 Touring Car	48259	Drift Tire 4Pcs./Pkg 1/10 Touring Car
48358	Wing Mirror w/LED Unit Set 1/10 Touring Car	48260	Drift Tire 4Pcs./Pkg 1/10 Touring Car
48359	Wing Mirror w/LED Unit Set 1/10 Touring Car	48281	Exhaust Pipe (Can be installed with LED) 1/10 Scale
48360	Wing Mirror w/LED Unit Set 1/10 Touring Car	48282	Exhaust Pipe (Can be installed with LED) 1/10 Scale
48352	Bodyshell Basic Plastic Parts 1/10 Touring Car	48283	Exhaust Pipe (Can be installed with LED) 1/10 Scale
48353	Moveable Headlight 1/10 Touring Car	48284	Exhaust Pipe (Can be installed with LED) 1/10 Scale

Option Parts & Accessory

No.	Part Names	No.	Part Names
48231	Moveable Fuel Door 1/10 Scale		
48351	Number Plate W/LED Unit Set 1/10 Scale		
48242	Dashboard (Right) 1/10 Scale		
48241	Dashboard (Left) 1/10 Scale		
48245	Navigator Set 1/10 Scale		
48235	Chromed Plastic Door Handle 1/10 Scale		
48236	Black Plastic Door Handle 1/10 Scale		
48350	Hooks & Rings Set (Diecast alloy) 1/10 Scale		
48361	Hooks & Rings Set (Diecast alloy) 1/10 Scale		
48274	Body Clip 1/10 Scale		
48273	Body Rope w/Clip Set (Metal) 120mm		
48362	Body Rope w/Clip Set (Metal) 100mm		
48363	Body Rope w/Clip Set (Metal) 80mm		
48365GD	Flange Locknut (Aluminum alloy) Gold		
48365BK	Flange Locknut (Aluminum alloy) Black		
48365RD	Flange Locknut (Aluminum alloy) Red		
48365SL	Flange Locknut (Aluminum alloy) Silver		
48365GY	Flange Locknut (Aluminum alloy) Grey		

WWW.KILLERBODYRC.COM