

killerbody™

Rear Wing (injection molded)
Used with 1/7 RC touring car
No. 48073

● Symbols used throughout the instruction manual, comprise:



Cut off shaded portion.



5mm
Drill holes with
the specified diameter.



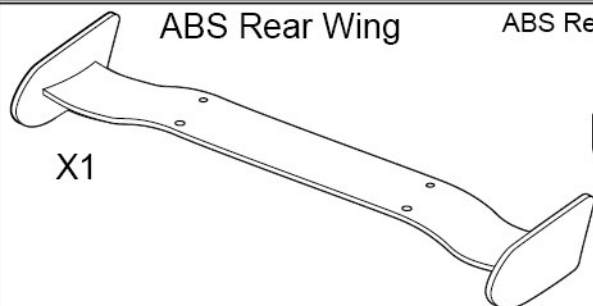
Pay close attention here!



Must be purchased
separately.

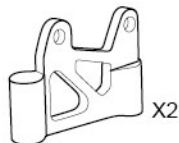
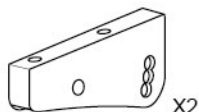



Assemble left and right sides
the same way.

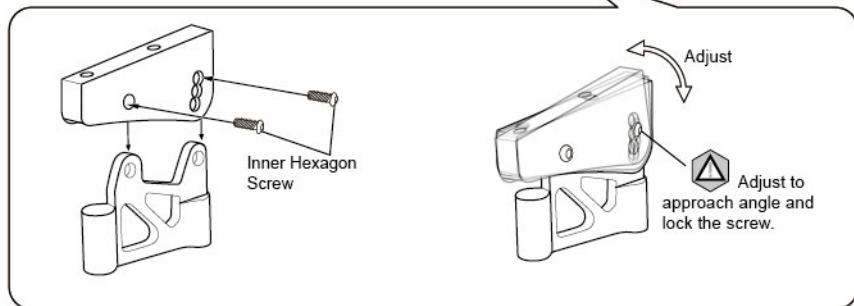
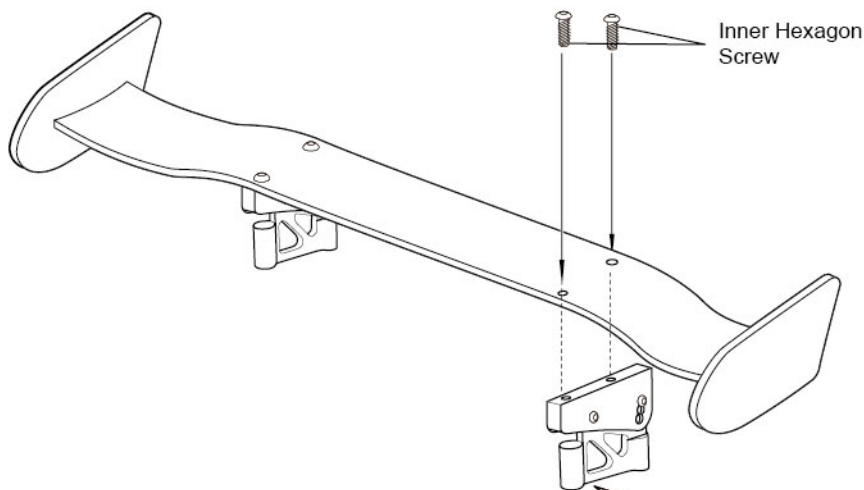


ABS Rear Wing

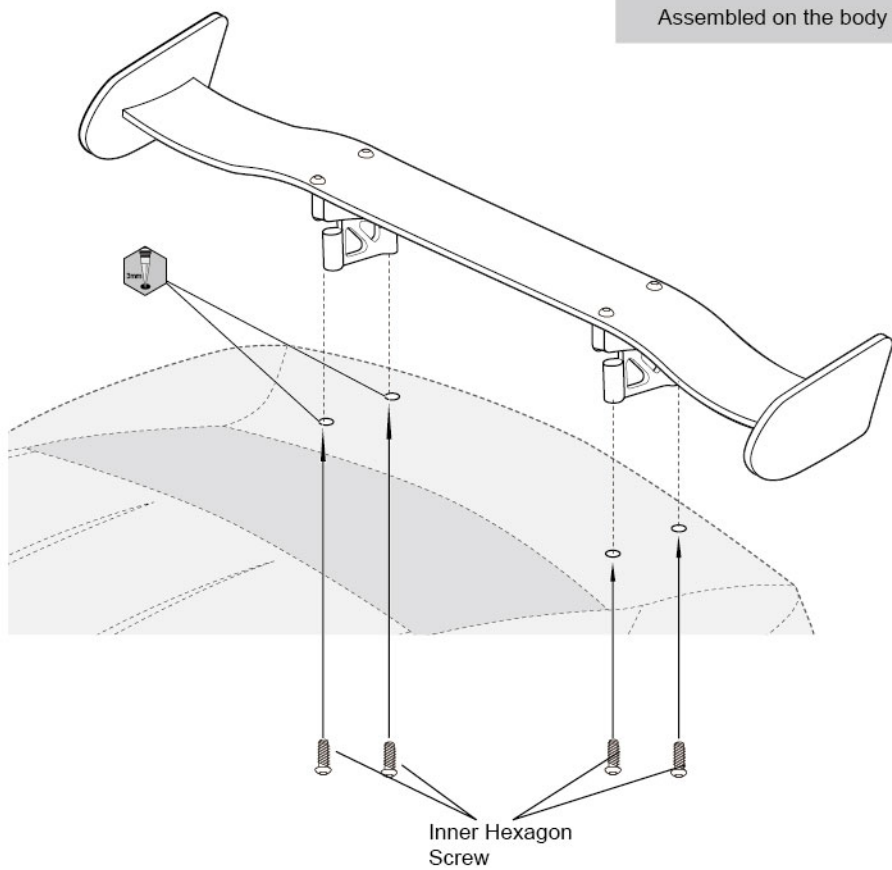
ABS Rear Wing Mount (injection molded)



Inner Hexagon Screw  X12



Assembled on the body shell



Assembled

