

Before beginning assembly, please read these instructions thoroughly!

● Symbols used throughout the instruction manual, comprise:



Cut off shaded portion.



5mm
Drill holes with
the specified diameter.



Pay close attention here!

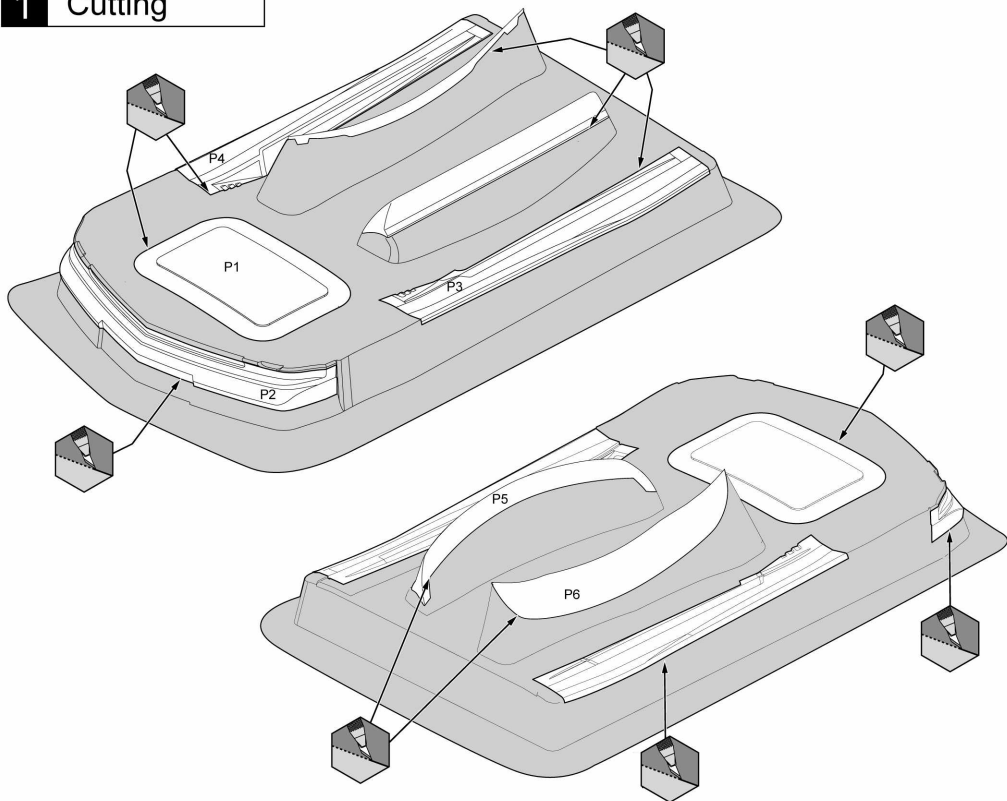


Must be purchased
separately.



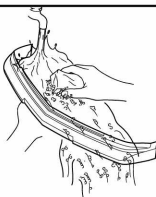
Assemble left and right sides
the same way.

1 Cutting

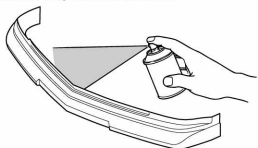


2 Painting

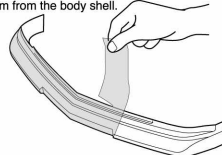
1 Before painting, use a neutral detergent to remove any oil residues and dirt.



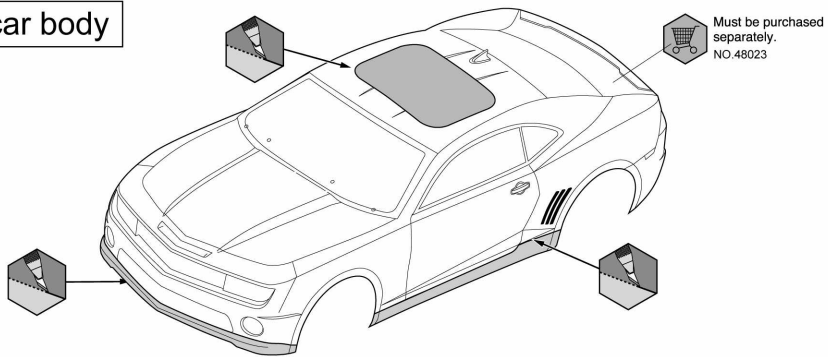
2 Paint the body shell from the inside.



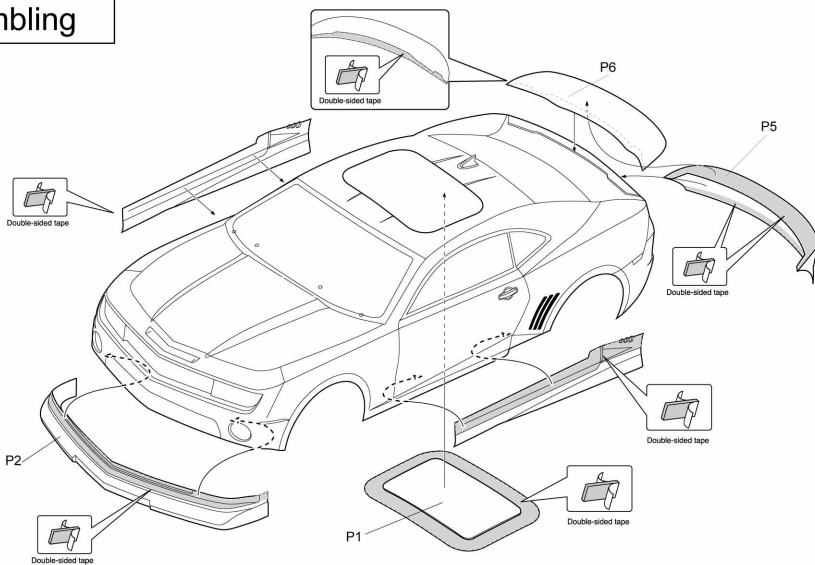
3 After painting, remove the protective film from the body shell.



3 Cut the car body



4 Assembling



5 Finished

