

**Before beginning assembly, please read these instructions thoroughly!**

● Symbols used throughout the instruction manual, comprise:



Cut off shaded portion.



5mm  
Drill holes with  
the specified diameter.



Pay close attention here!

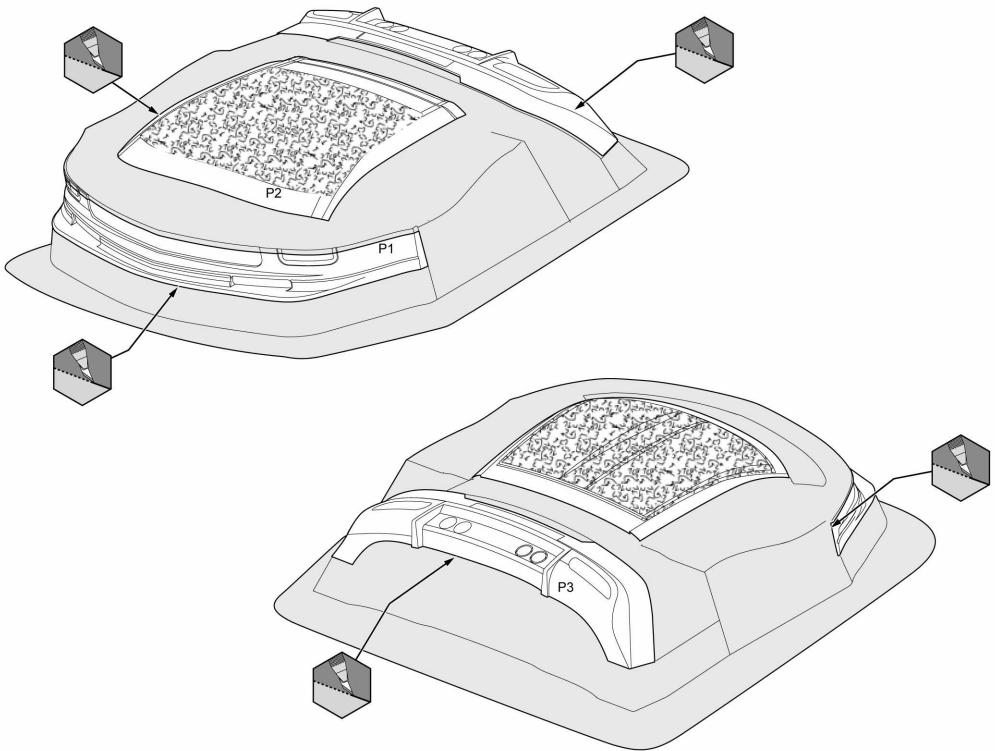


Must be purchased  
separately.



Assemble left and right sides  
the same way.

## 1 Cutting

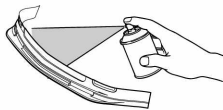


## 2 Painting

- 1 Before painting, use a neutral detergent to remove any oil residues and dirt.



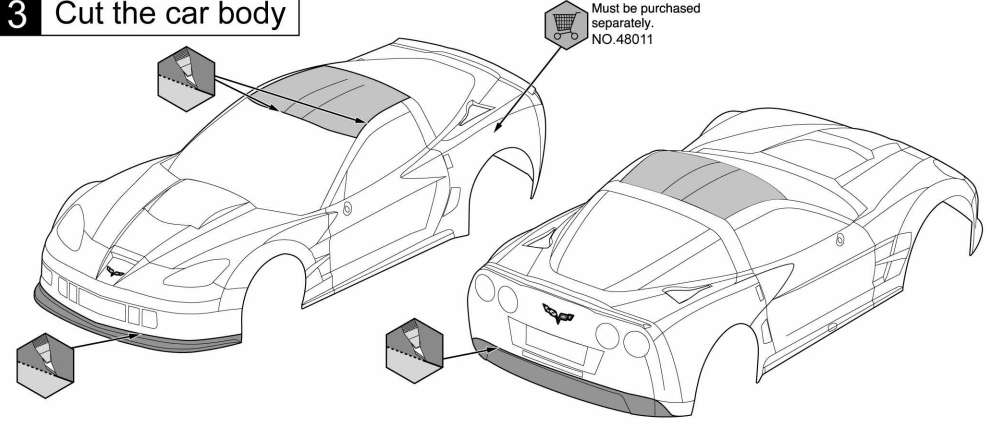
- 2 Paint the body shell from the inside.



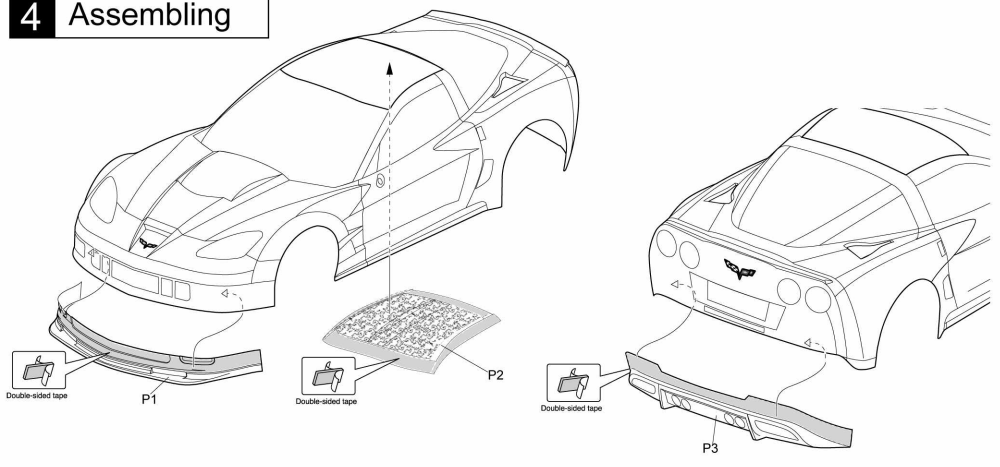
- 3 After painting, remove the protective film from the body shell.



### 3 Cut the car body



### 4 Assembling



### 5 Finished

