

**HYPER
TRUGGU**

SS

**HYPER
TRUGGU**

HOBEO ENTERPRISING CO., LTD.
www.hobao-racing.com
E-Mail:hobao@hobao.com.tw
Made in Taiwan

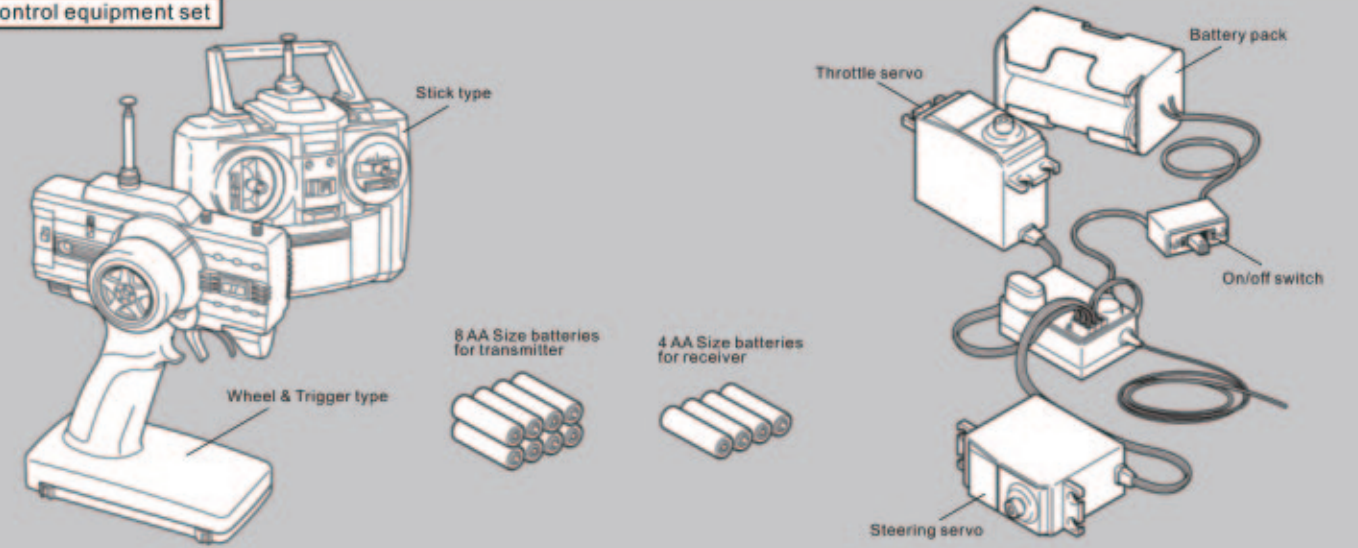
INSTRUCTION MANUAL

Hobao Racing

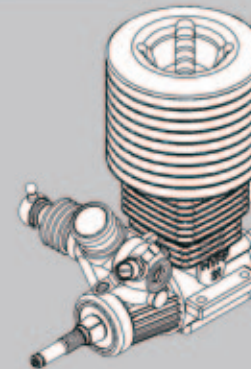
HYPER TRUGGY

Required

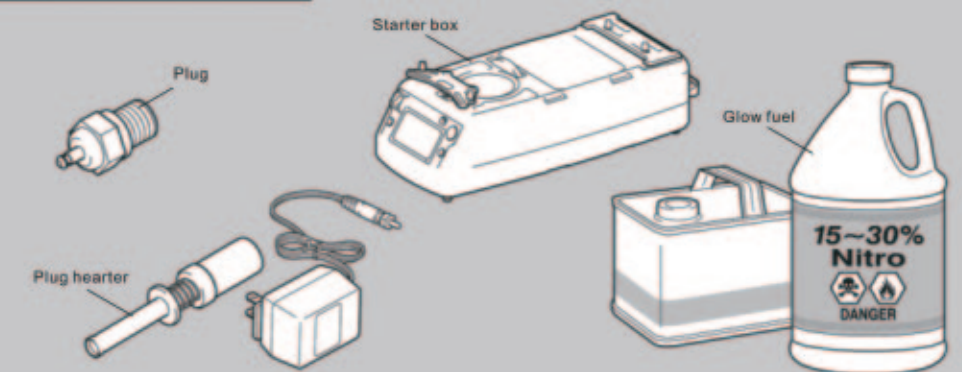
Radio control equipment set



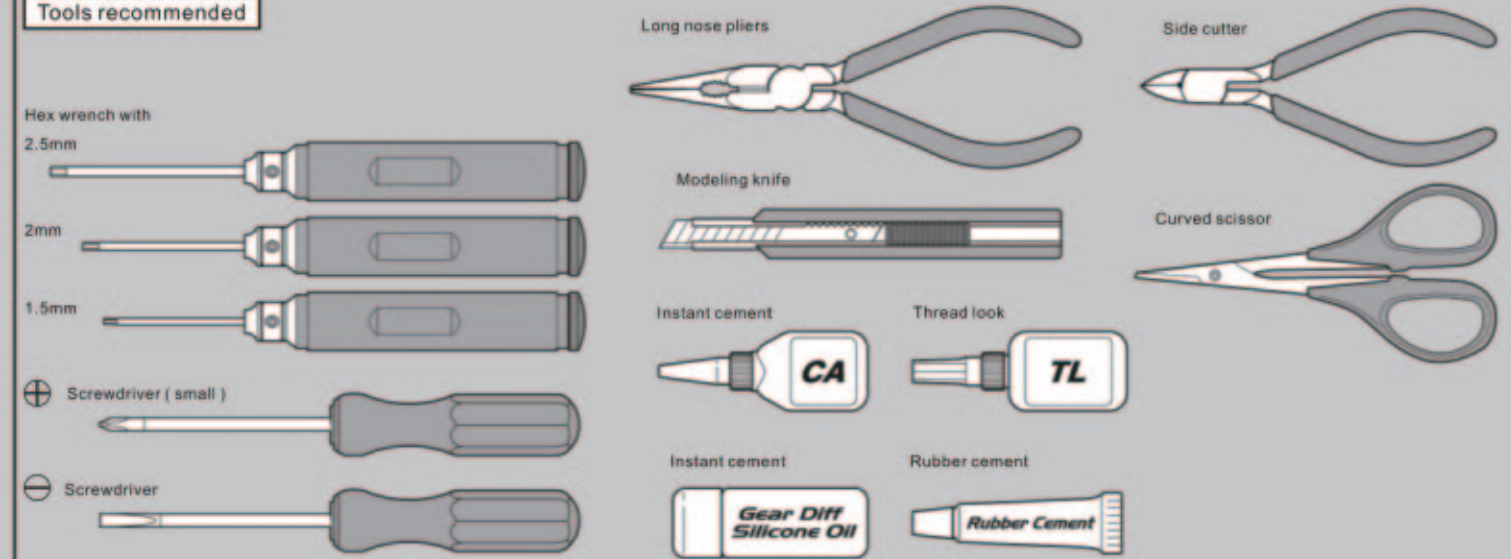
Hyper Engine SERIES



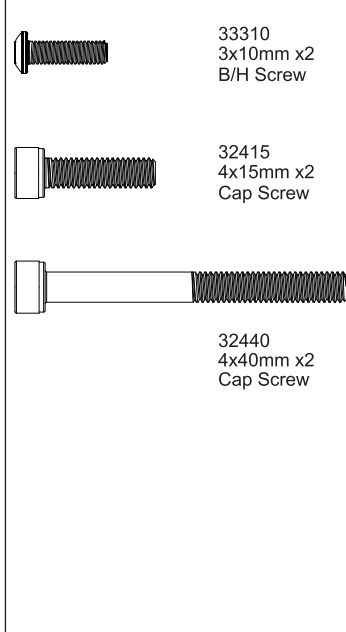
Required for engine starting



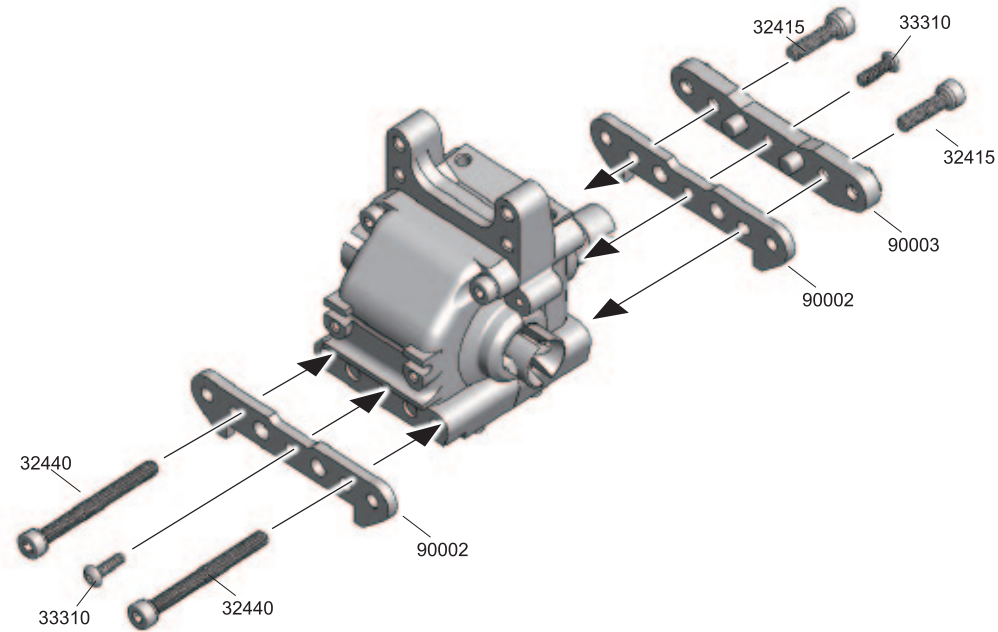
Tools recommended



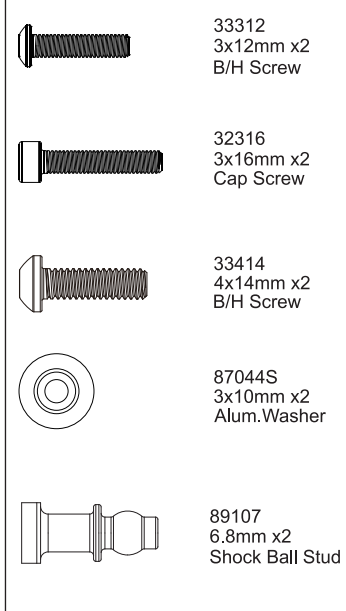
Front Lower Arm Holder Assembly



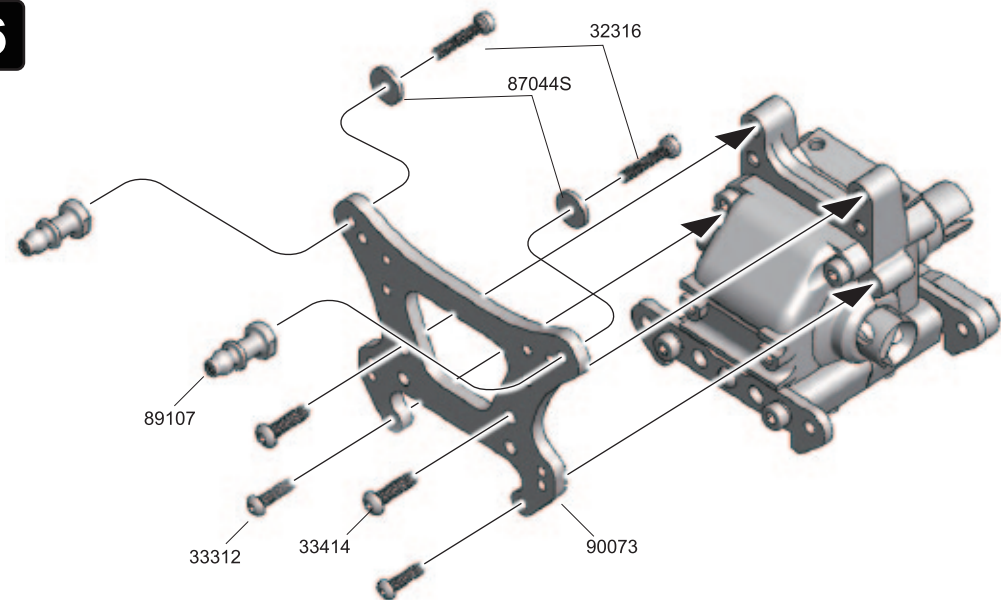
5



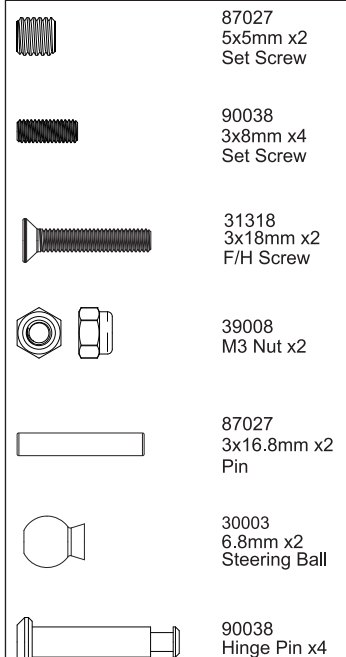
Front Shock Tower Assembly



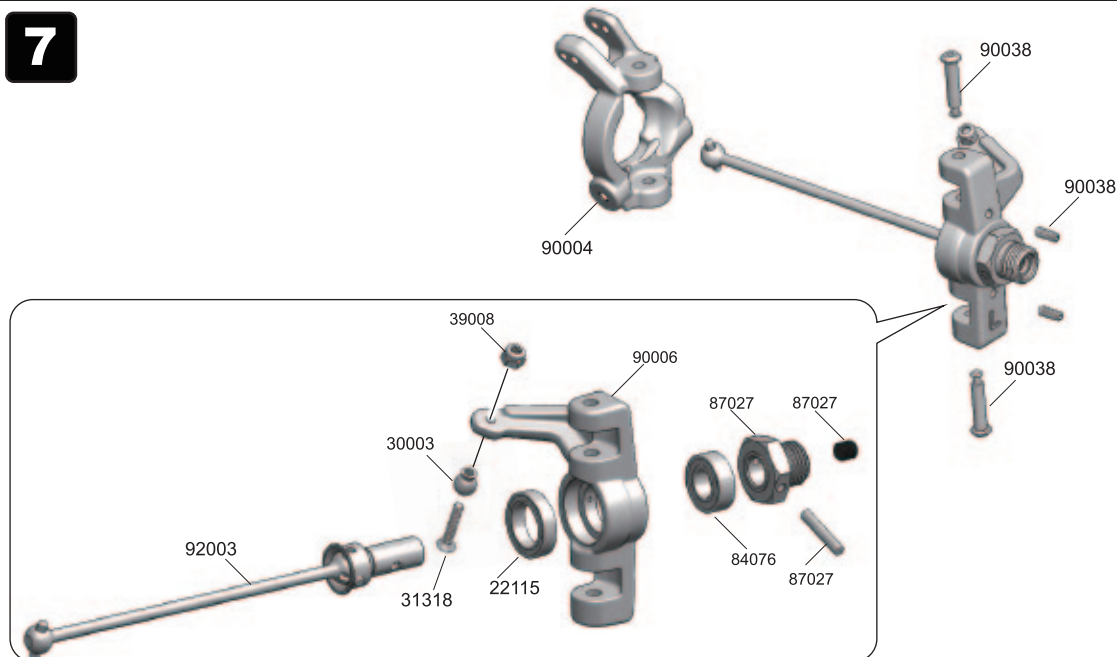
6



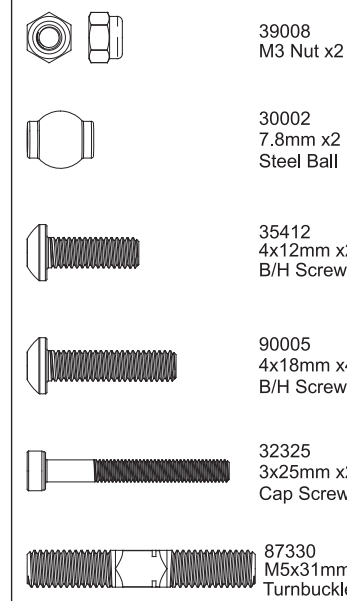
Steering Knuckle Assembly



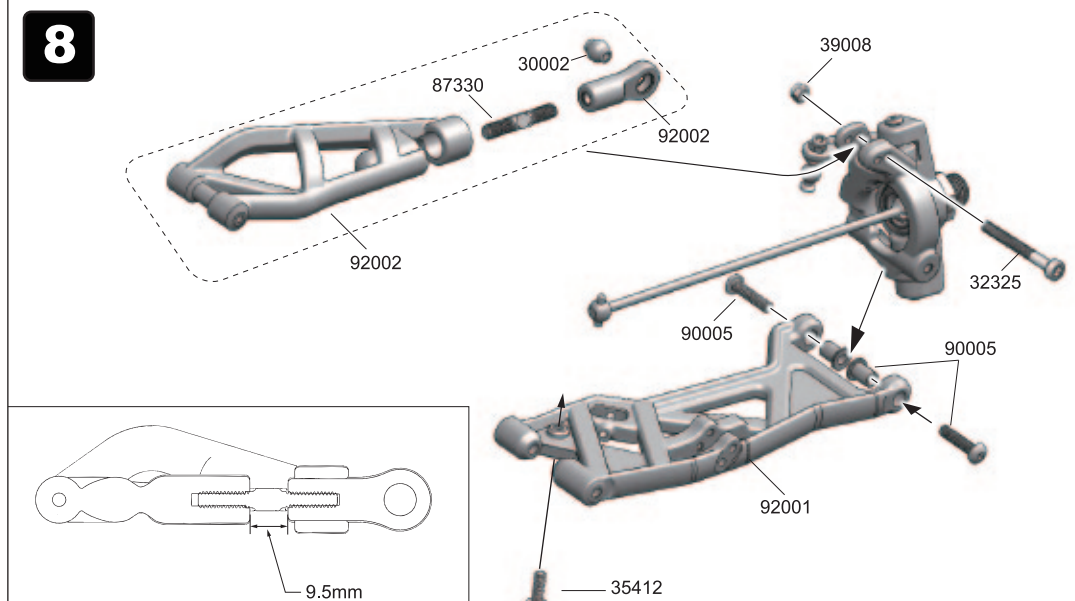
7



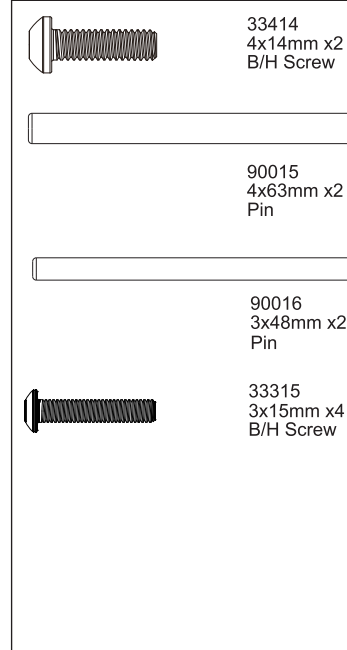
Front Suspension Arm Assembly 1



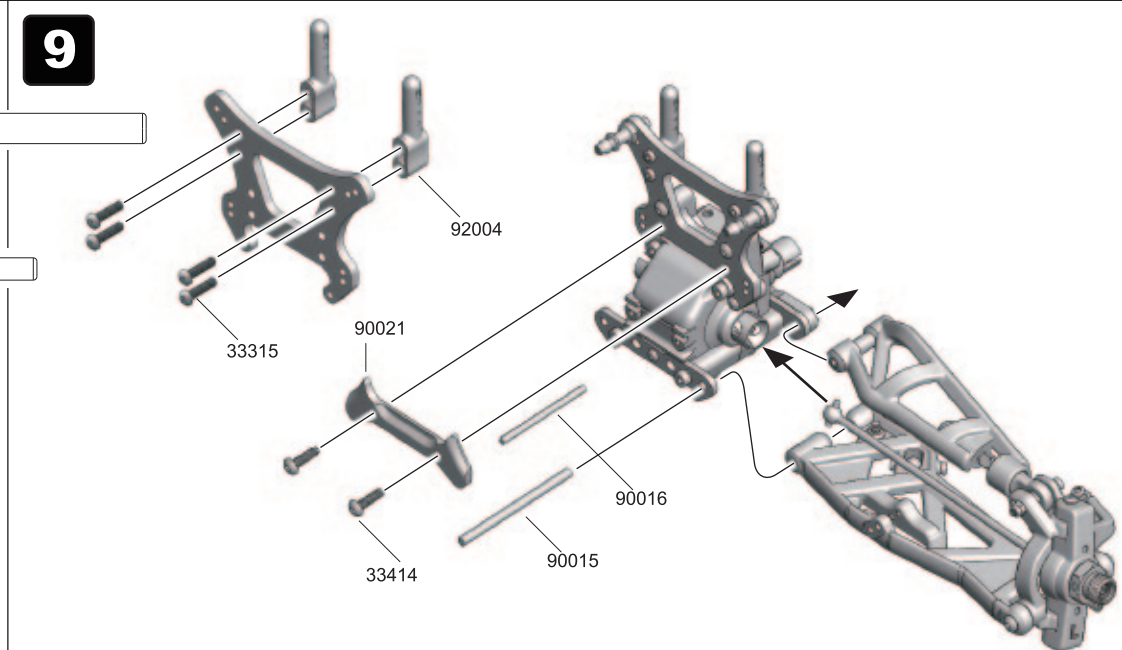
8



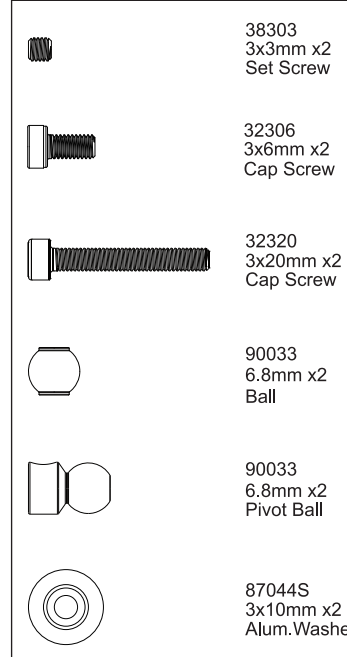
Front Suspension Arm Assembly 2



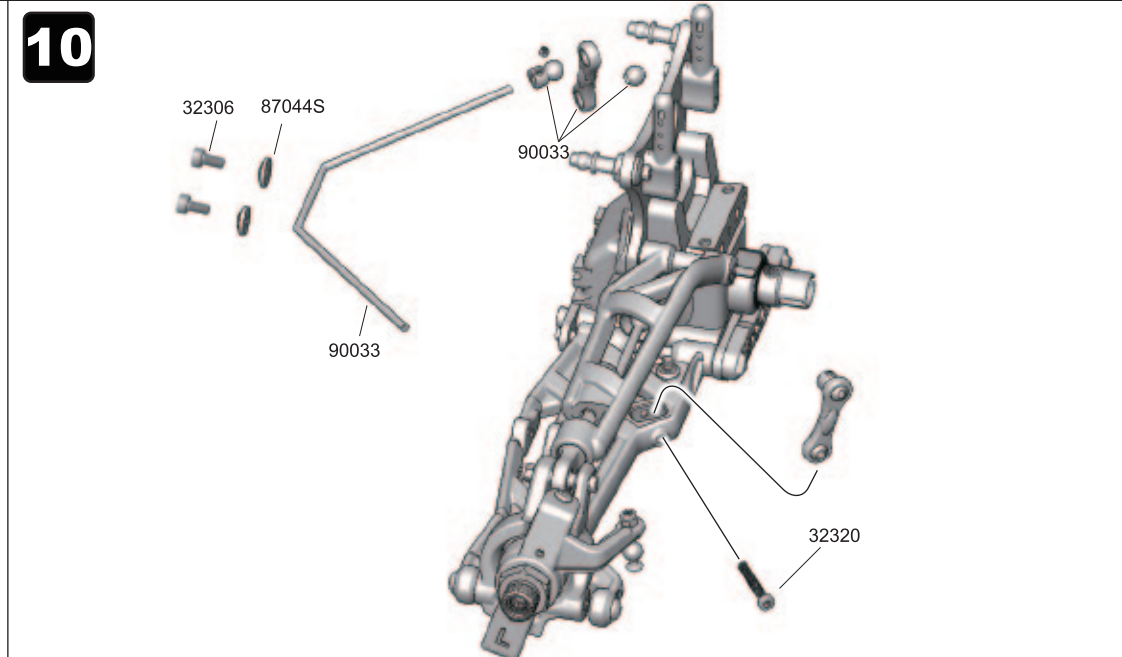
9









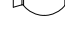
Front Stabilizer Assembly

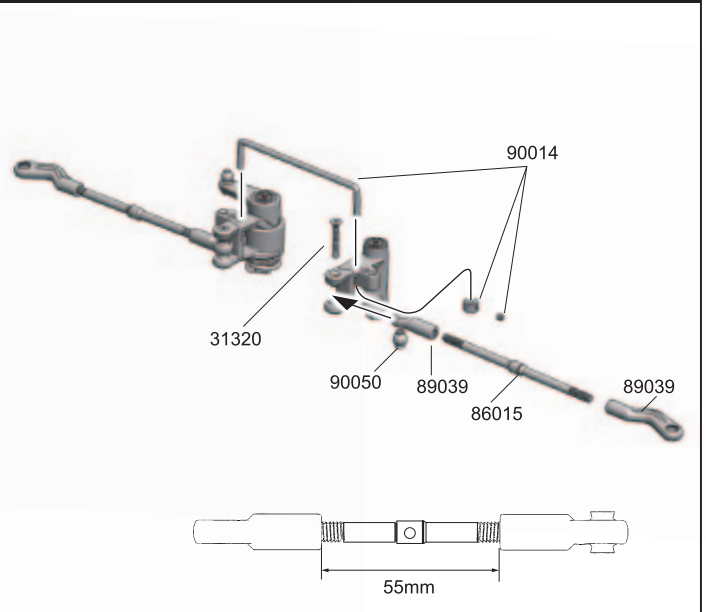
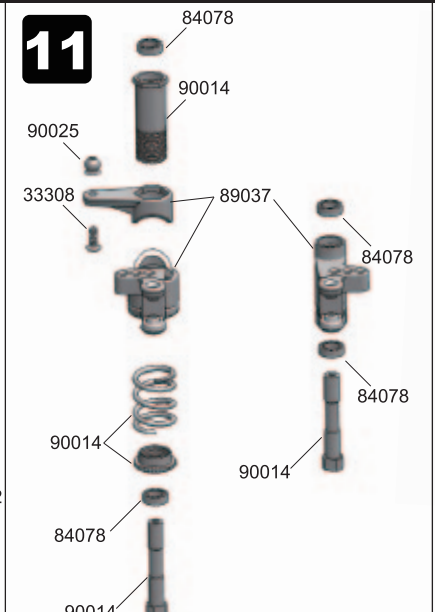


10





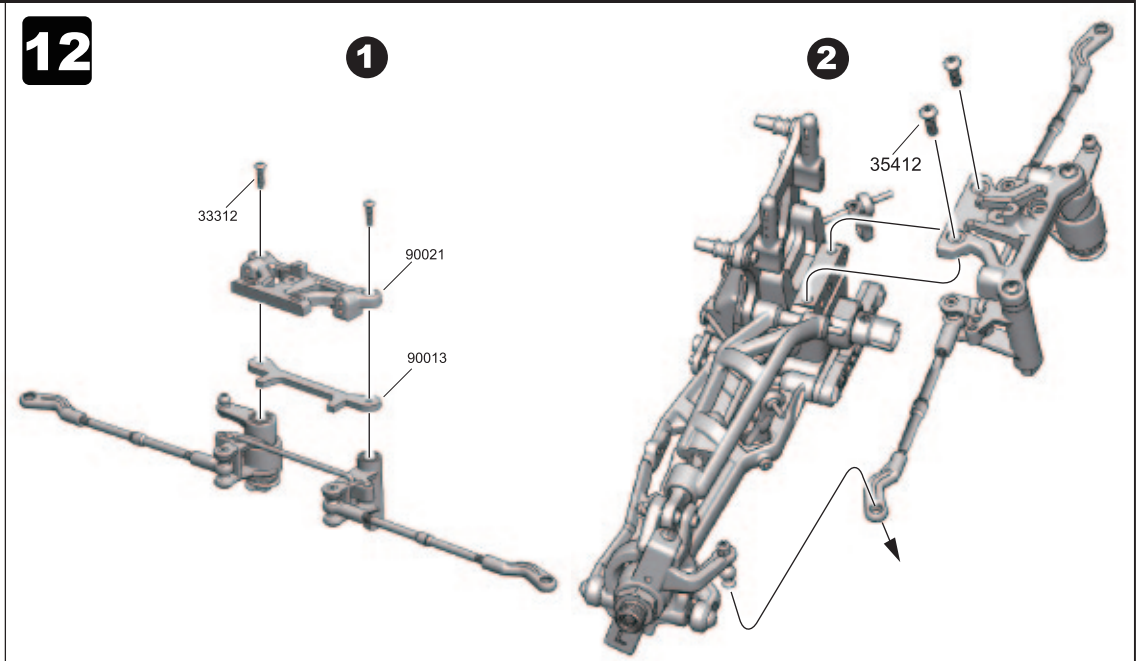
Servo Saver Assembly 1

-  38303
3x3mm x2
Set Screw
-  33308
3x8mm x1
B/H Screw
-  31320
3x20mm x2
F/H Screw
-  90025
5.8mm x1
Ball Flanged
-  84078
6x10x3mm x4
Ball Bearing
-  90050
Ball Flanged x2
-  90014
Collet x2







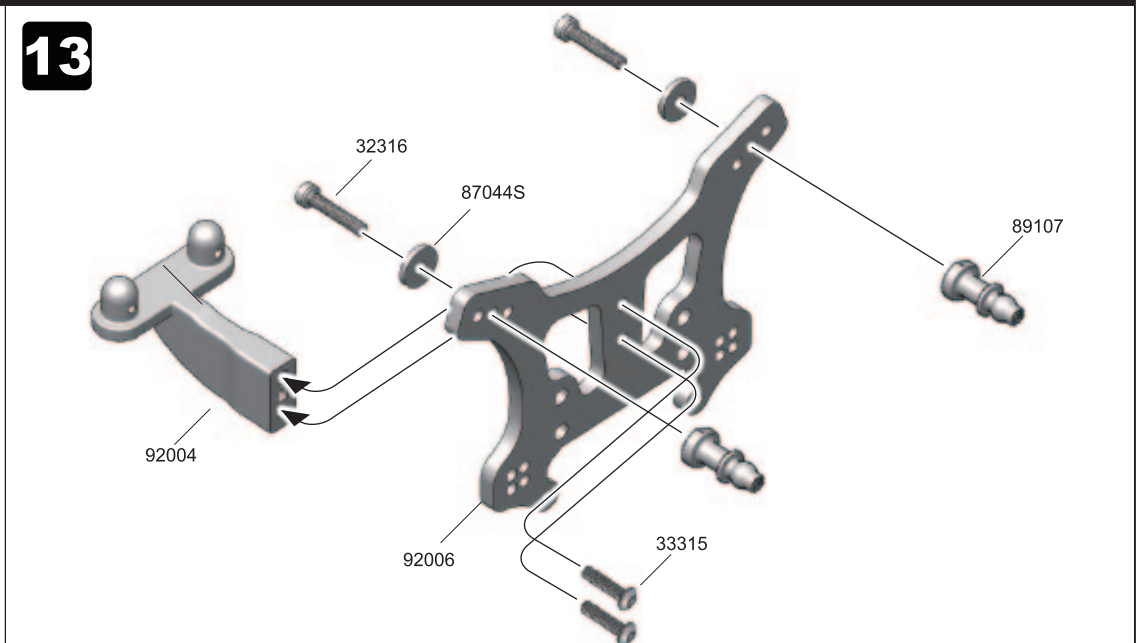
Servo Saver Assembly 2

-  33312
3x12mm x2
B/H Screw
-  35412
4x12mm x2
B/H Screw





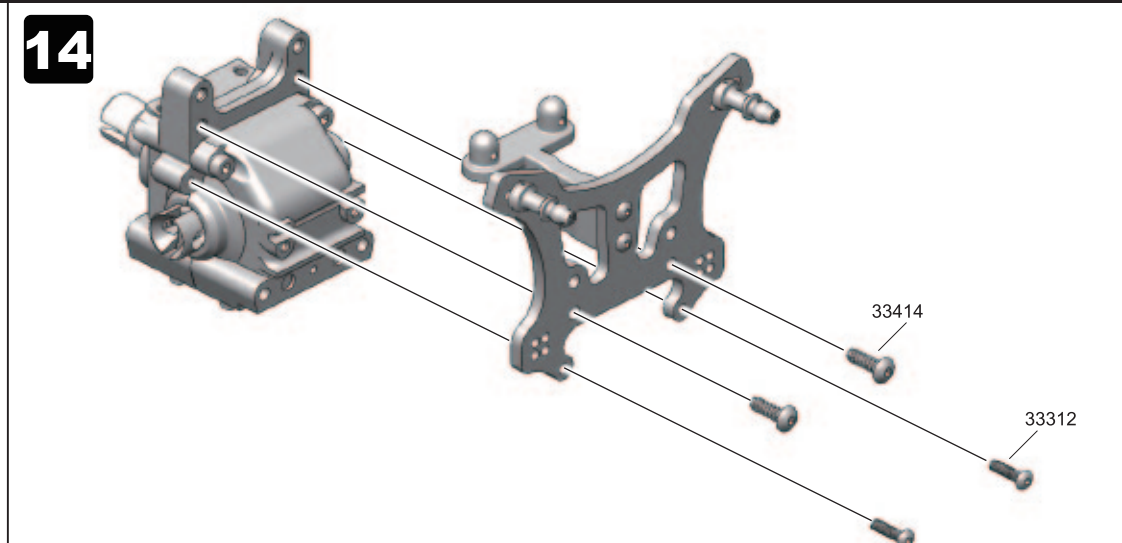
Rear Shock Tower Assembly 1

-  89107
6.8mm x2
Shock Ball Stud
-  87044S
3x10mm x2
Alum. Washer
-  32316
3x16mm x2
Cap Screw
-  33315
3x15mm x2
B/H Screw






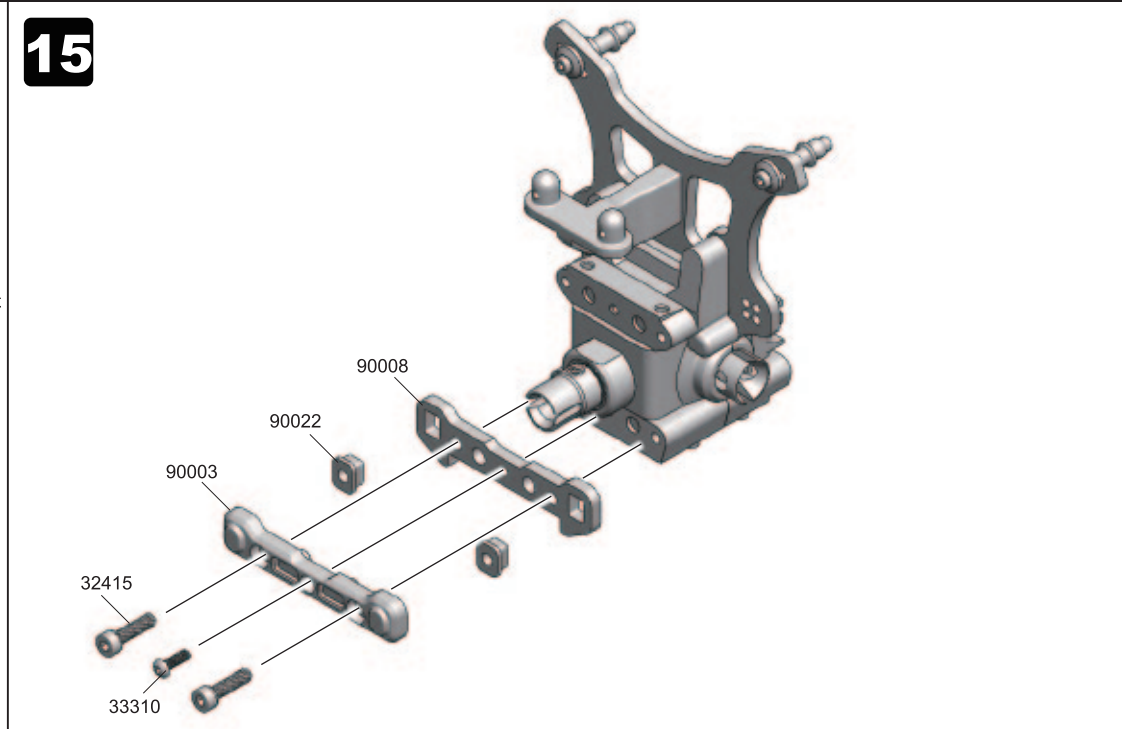
Rear Shock Tower Assembly 2

-  33312
3x12mm x2
B/H Screw
-  33414
4x14mm x2
B/H Screw


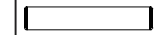



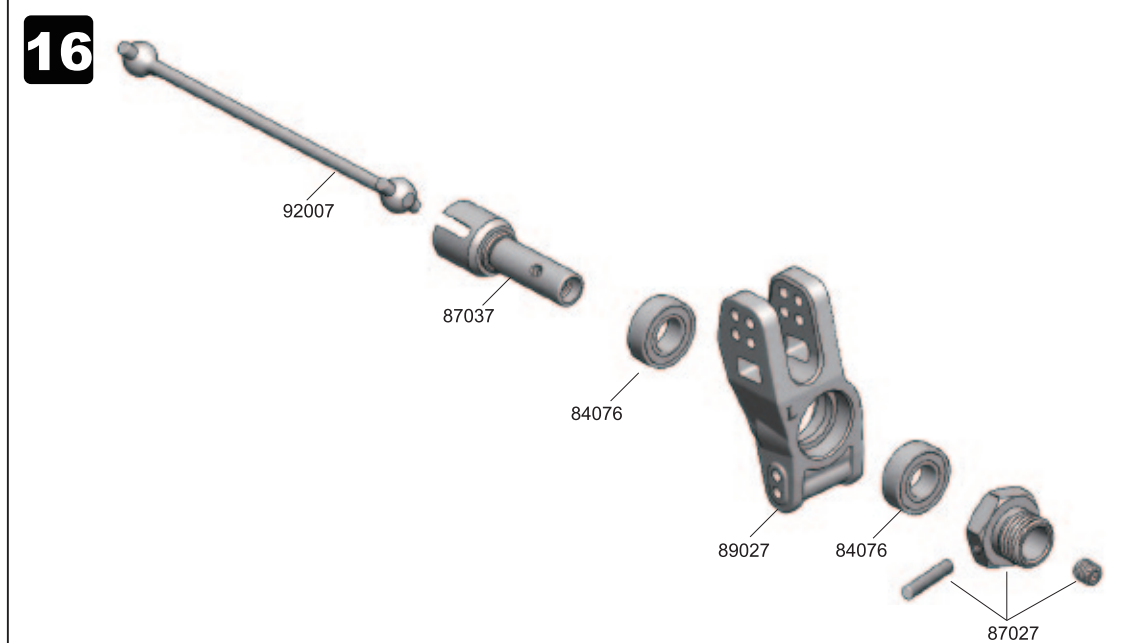
Rear Lower Arm Holder Assembly

-  33310
3x10mm x1
B/H Screw
-  32415
4x15mm x2
Cap Screw
-  90022
Adjustable Insert
x2

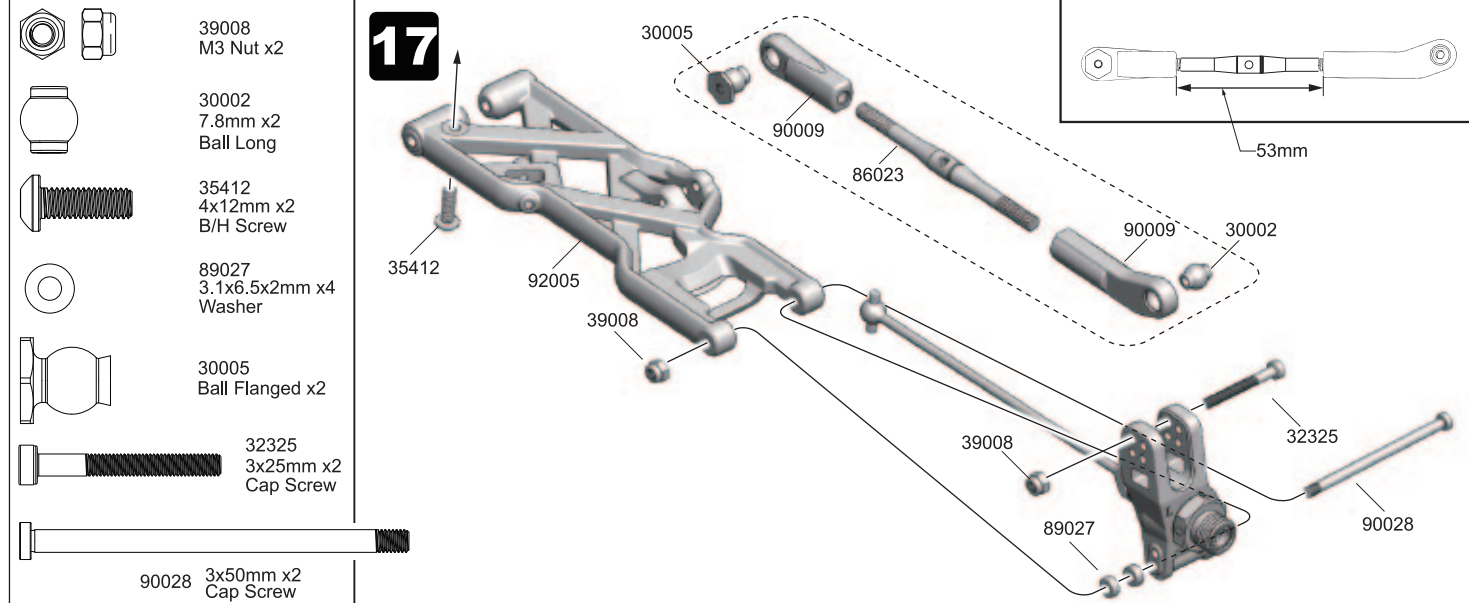


Rear Hub Assembly

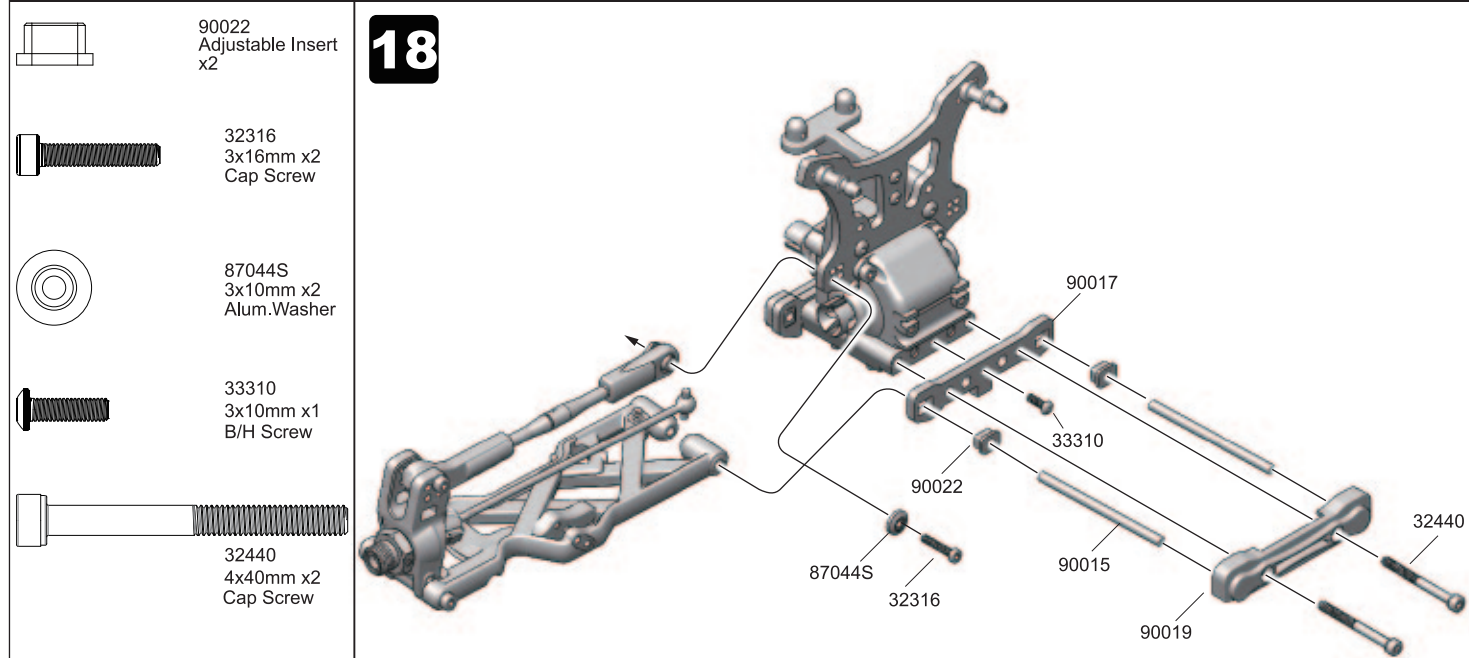
-  87027
5x5mm x2
Set Screw
-  87027
2.5x16.8mm x2
Pin
-  84076
8x16x5mm x4
Ball Bearing



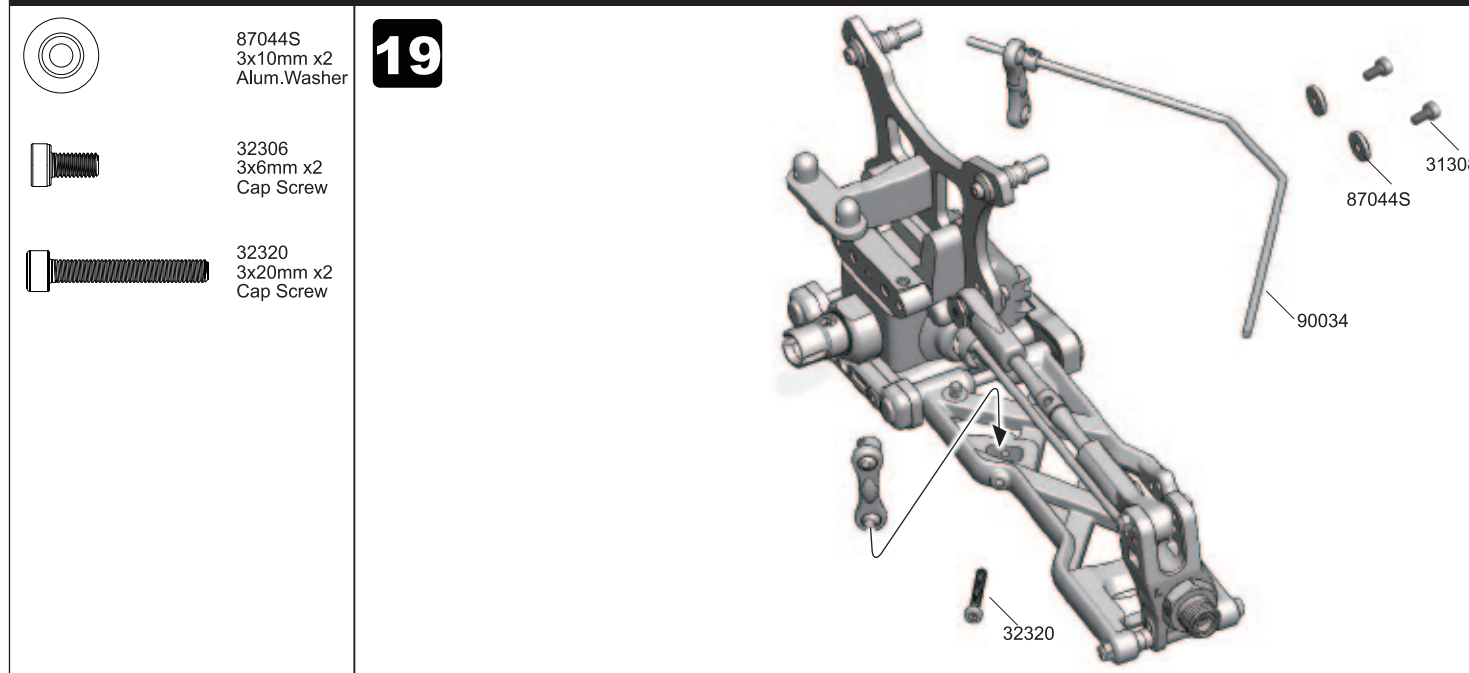
Rear Suspension Arm Assembly 1



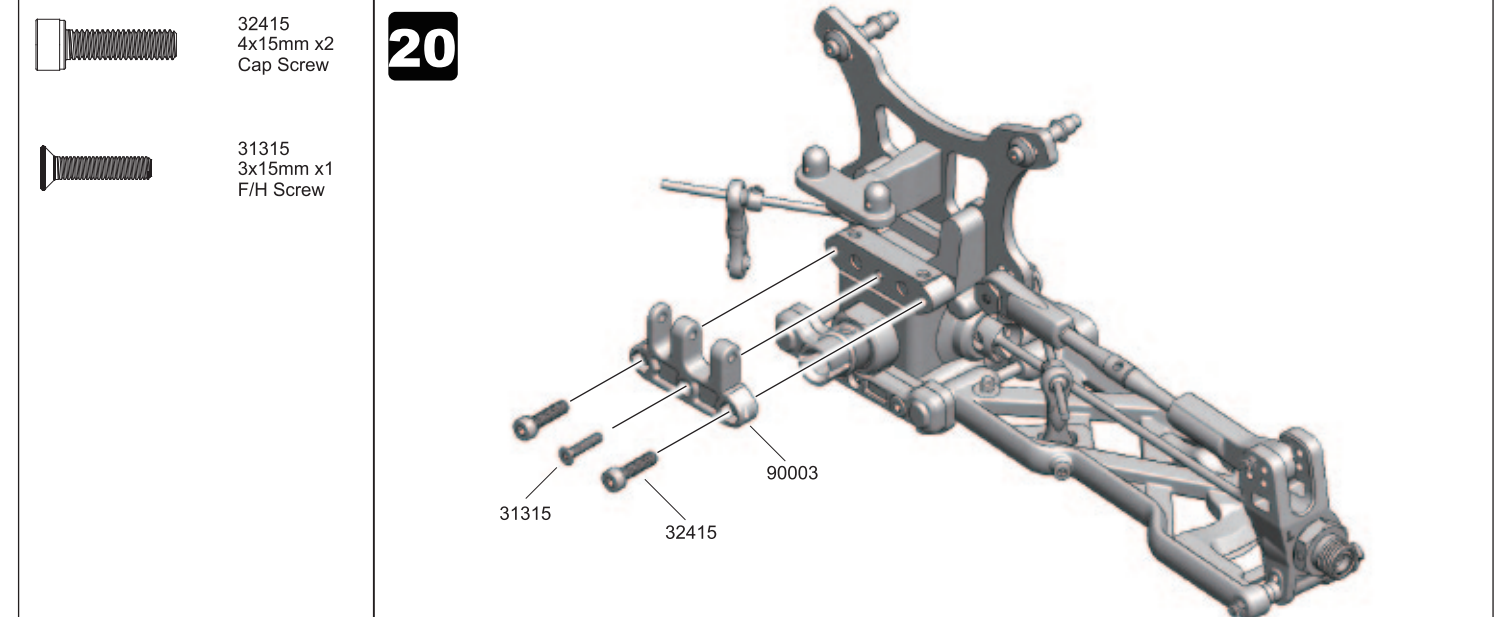
Rear Suspension Arm Assembly 2



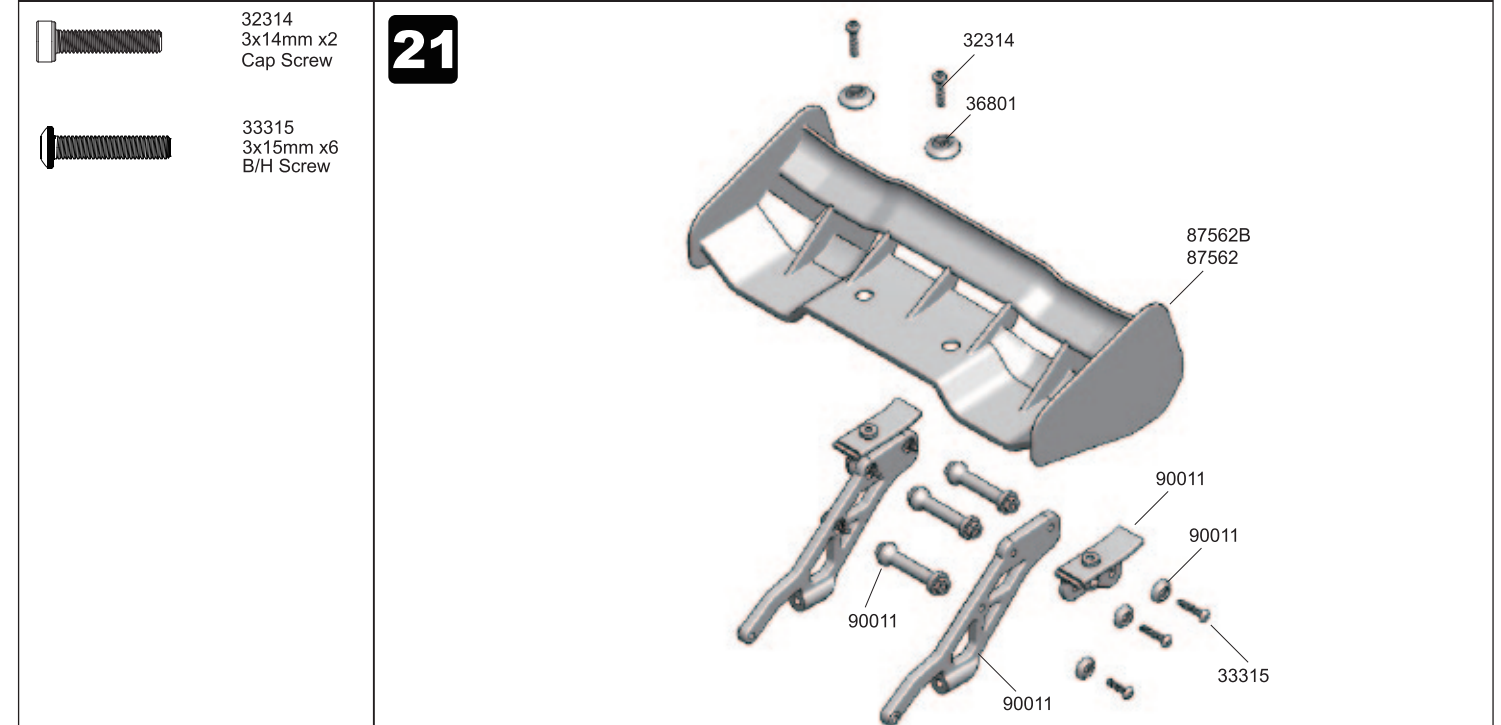
Rear Stabilizer Assembly



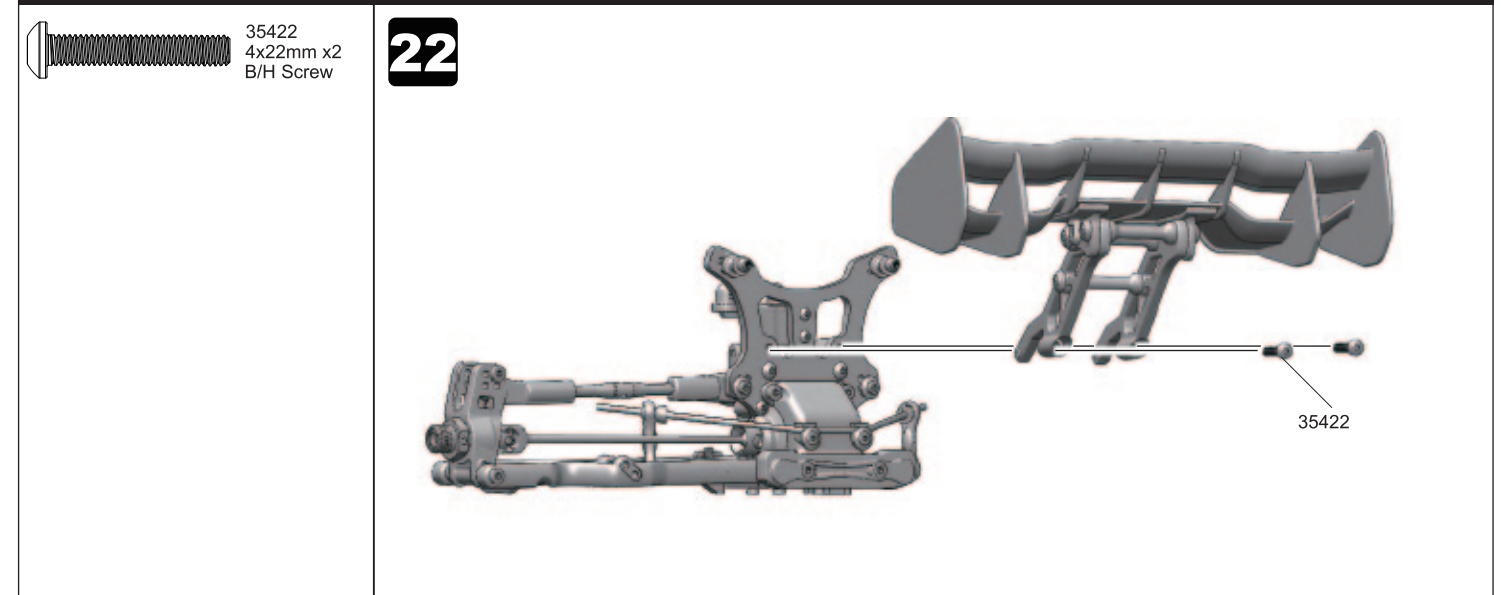
Rear Chassis Stiffener Mount Assembly



Wing Assembly 1



Wing Assembly 2

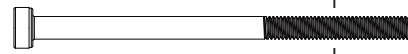


Rear Chassis Stiffener Assembly

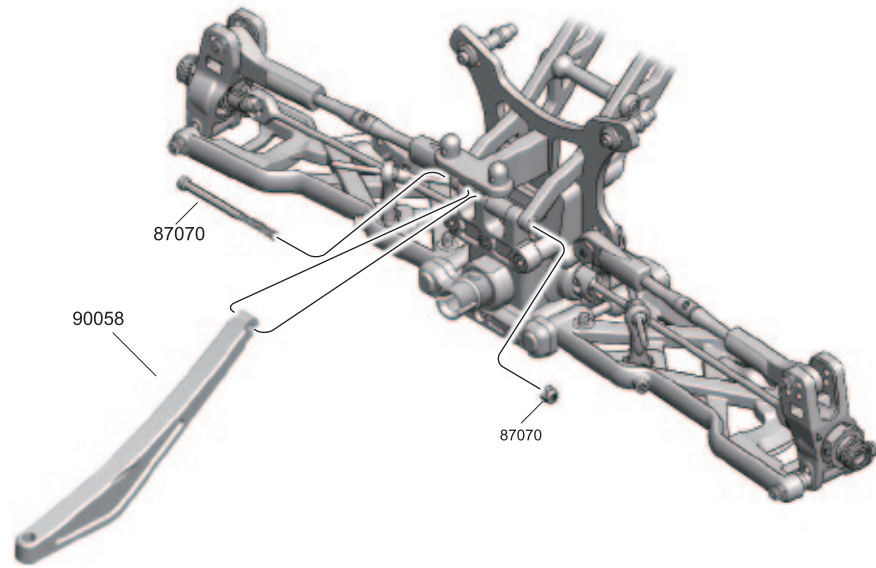


87070
M3 Nut x1

23



87070
3x50mm x1
Cap Screw

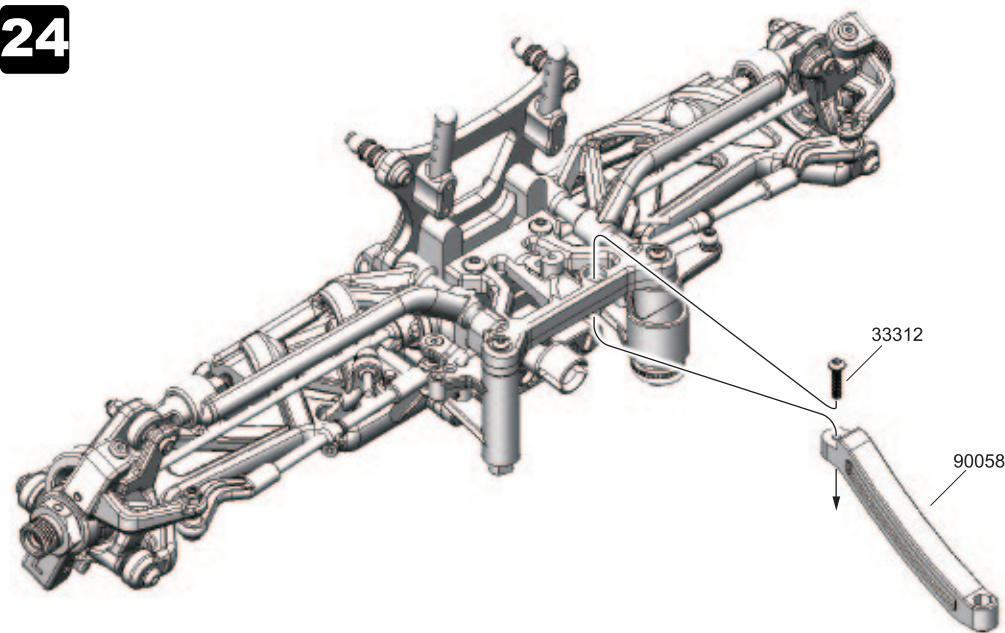


Front Chassis Stiffener Assembly



33312
3x12mm x1
B/H Screw

24

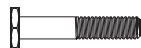


Center Differential Mount Assembly 1



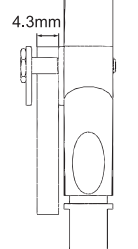
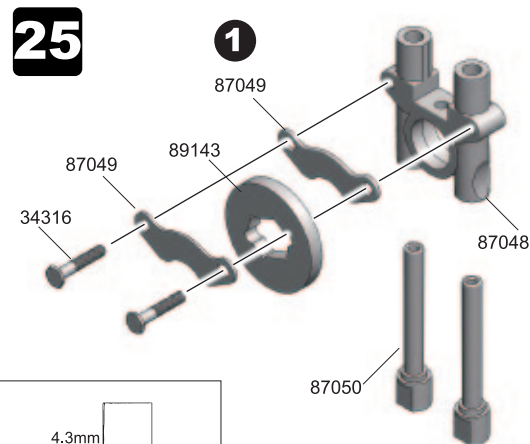
38303
3x3mm x1
Set Screw

25

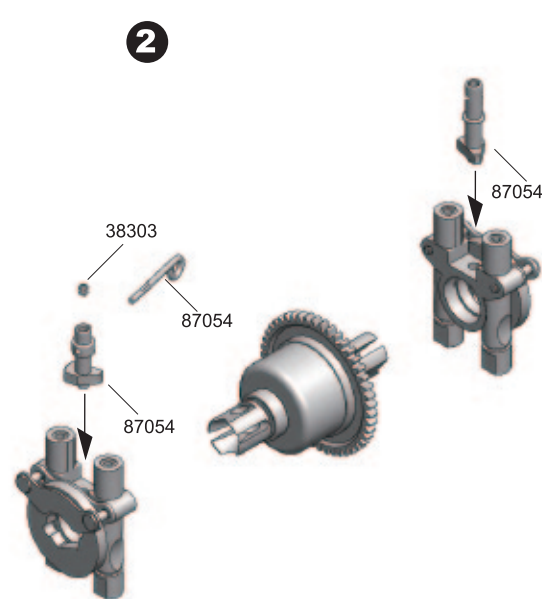


34316
3x16.5mm x4
Hex Screw

1



2



Center Differential Mount Assembly 2

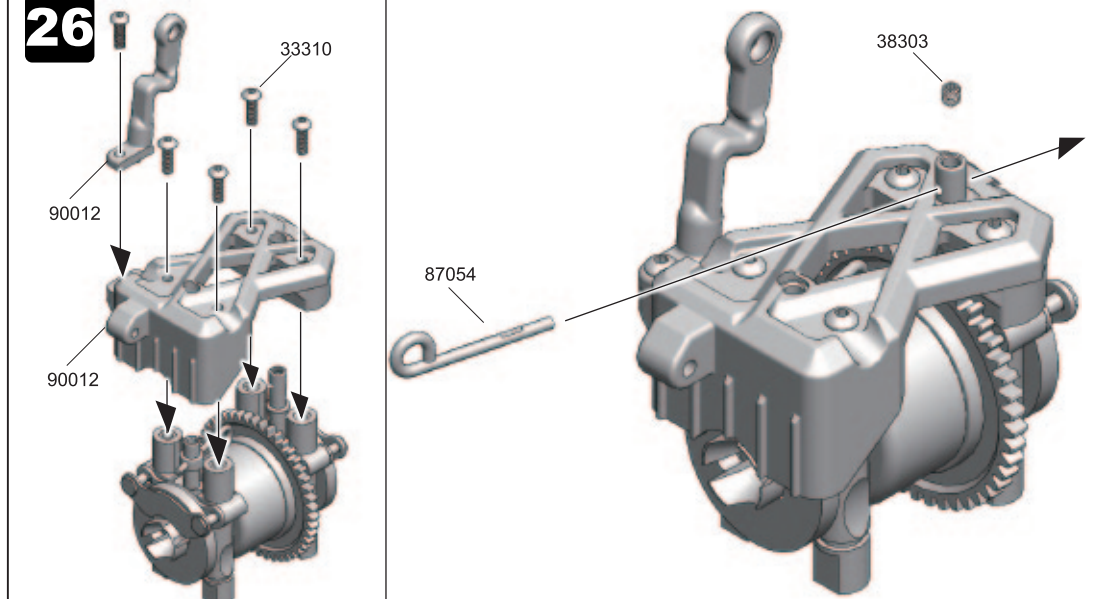


38303
3x3mm x1
Set Screw

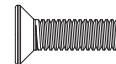
26



33310
3x10mm x5
B/H Screw



Front Clip Assembly



31414
4x14mm x4
F/H Screw

27



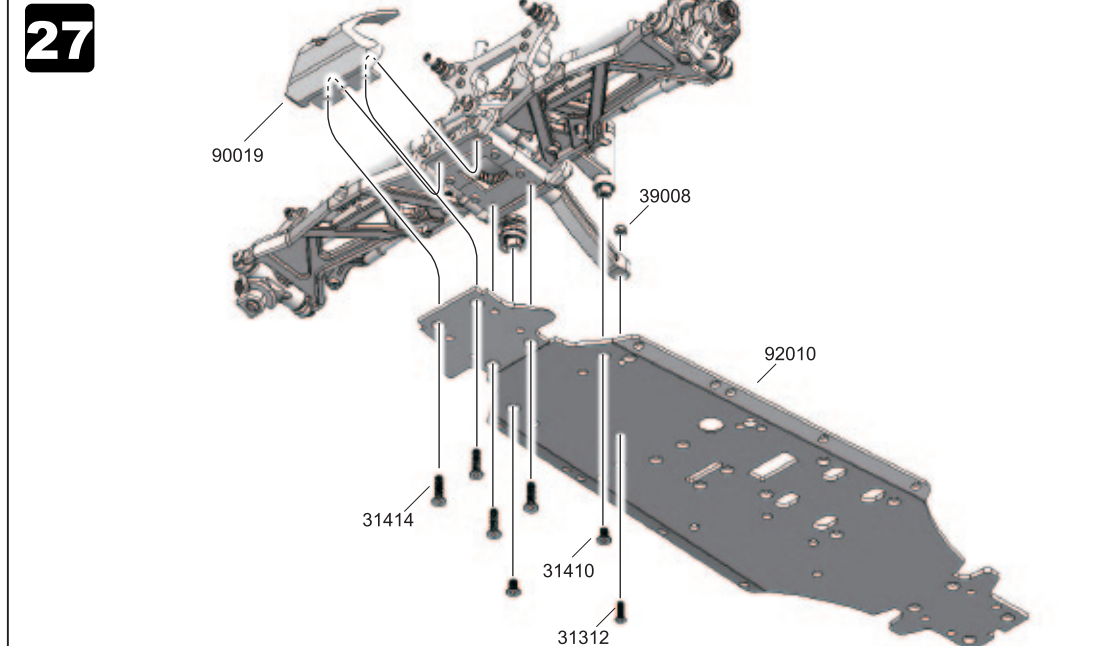
31410
4x10mm x2
F/H Screw



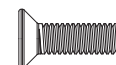
31312
3x12mm x1
F/H Screw



39008
M3 Nut x1



Rear Clip Assembly



31414
4x14mm x4
F/H Screw

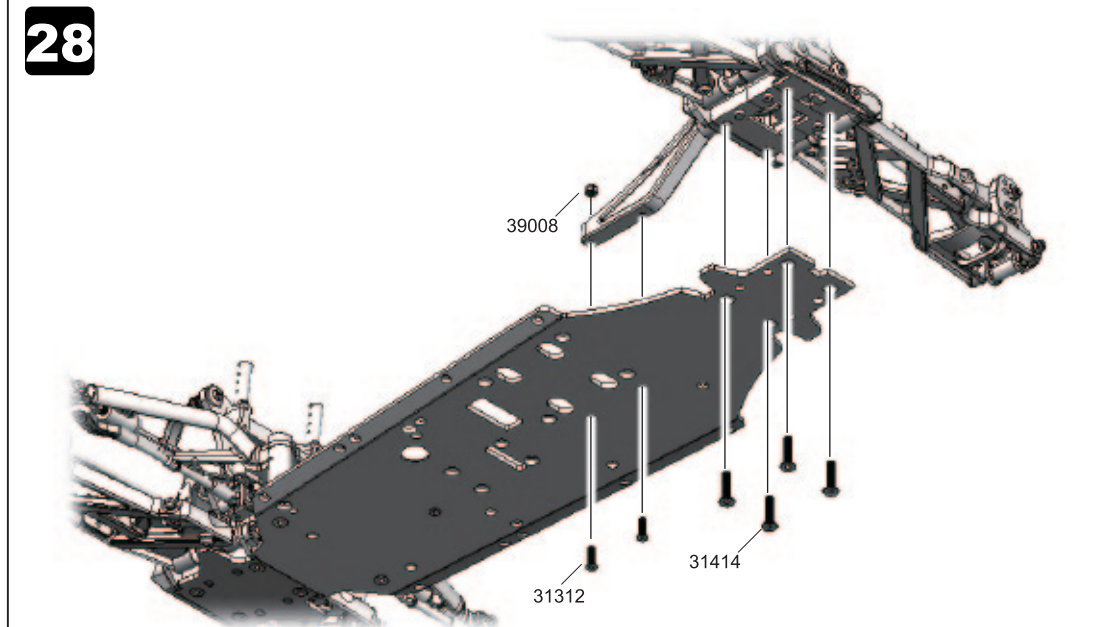
28



31312
3x12mm x2
F/H Screw



39008
M3 Nut x1

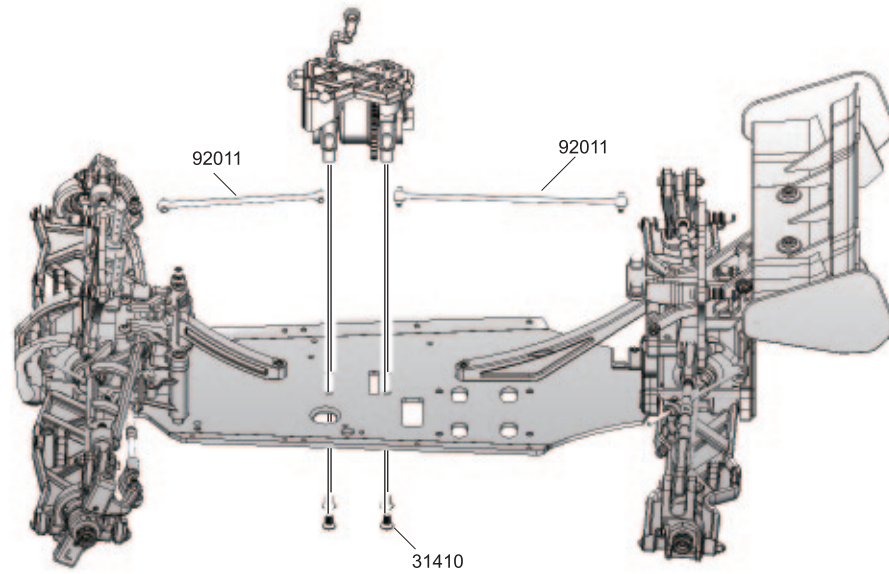


Center Differential Unit Assembly



31410
4x10mm x4
F/H Screw

29

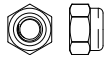


Side Guard Assembly

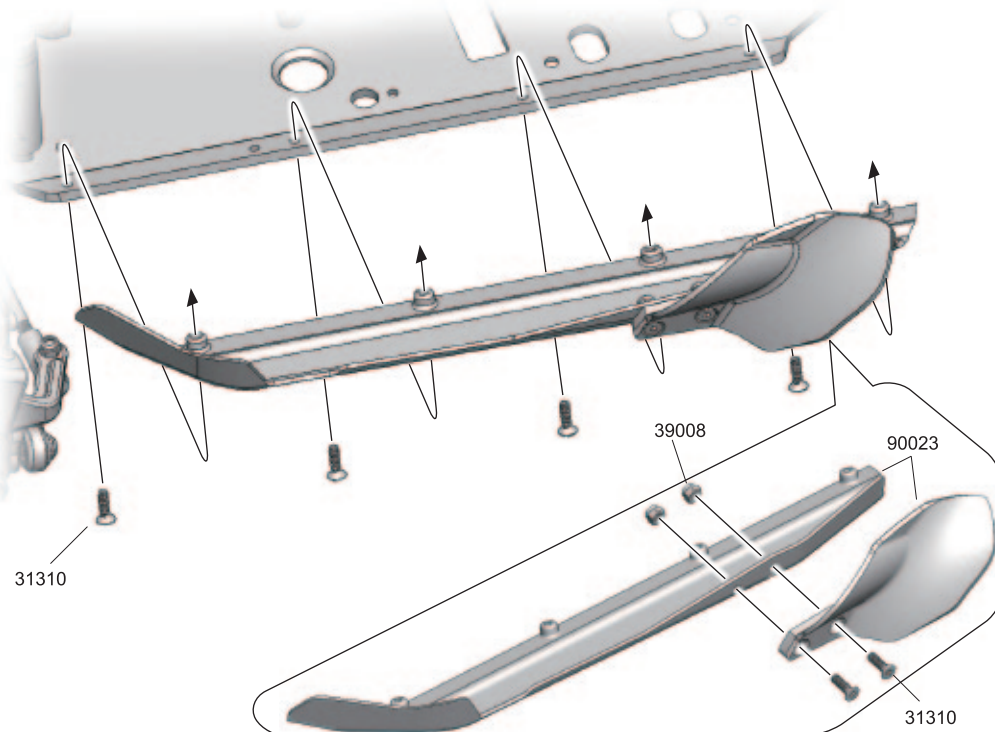


31310
3x10mm x12
F/H Screw

30



39008
M3 Nut x4



Radio Tray Assembly 1



33305
3x5mm x3
B/H Screw

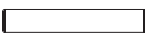
31



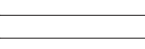
33310
3x10mm x1
B/H Screw



35210
2x10mm x2
B/H Screw

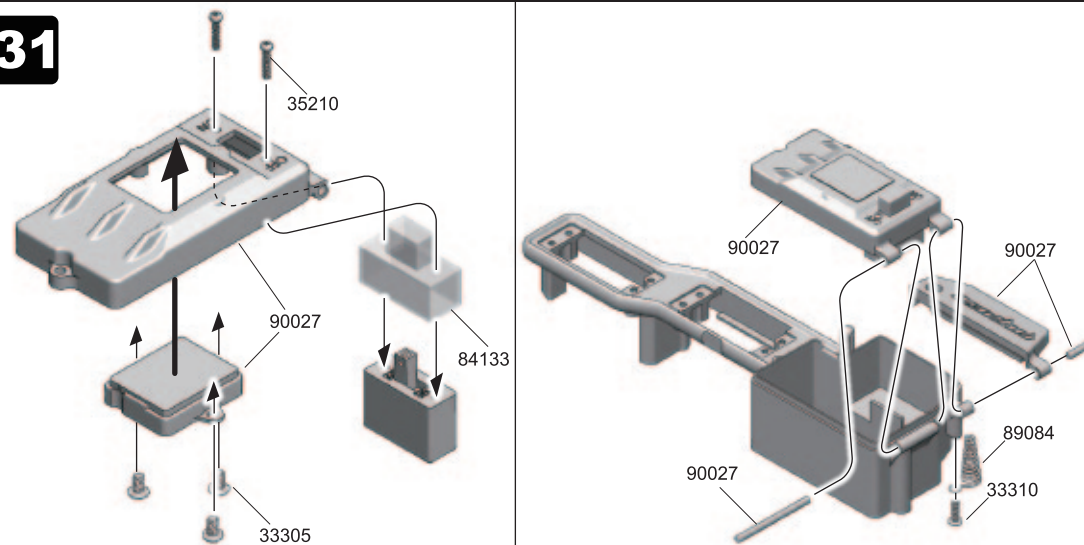


90027
3x18.8mm x1
Pin



90027
3x27.8mm x1
Pin

31

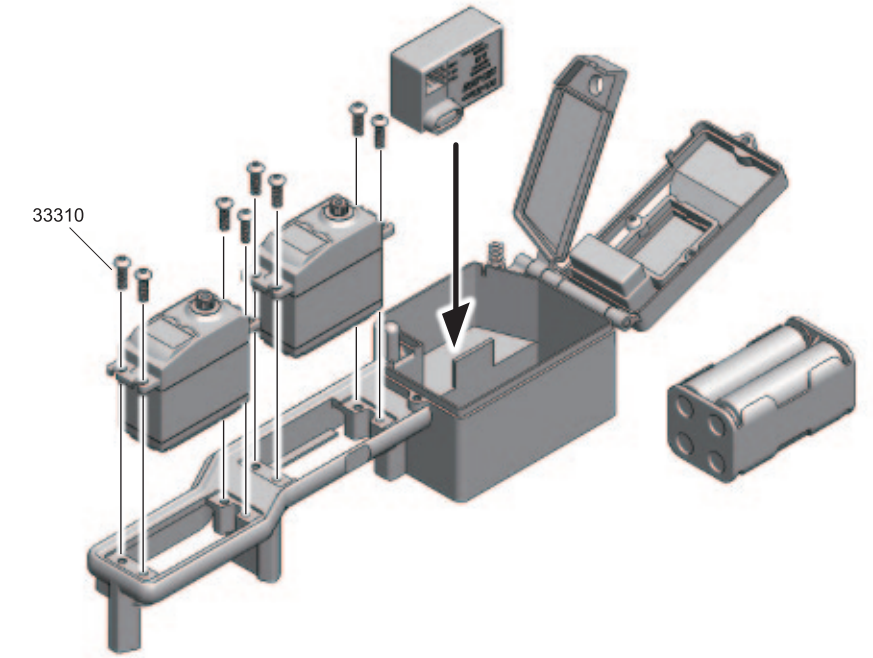


Radio Tray Assembly 2



33310
3x10mm x8
B/H Screw

32



Servo Horn Assembly 1



35208
2x8mm x2
B/H Screw

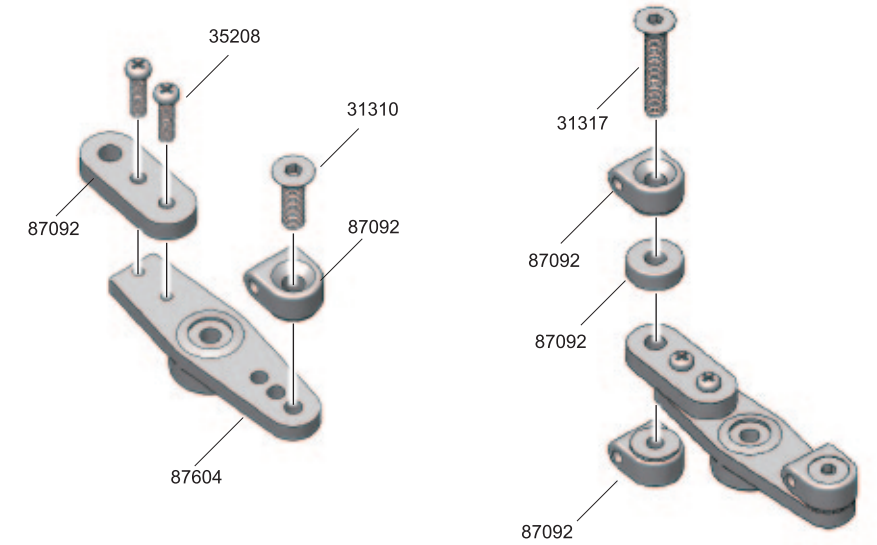
33



31310
3x10mm x1
F/H Screw



31317
3x17mm x1
F/H Screw



Servo Horn Assembly 2

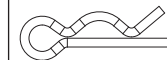


33308T
3x8mm x1
B/H Tap Screw

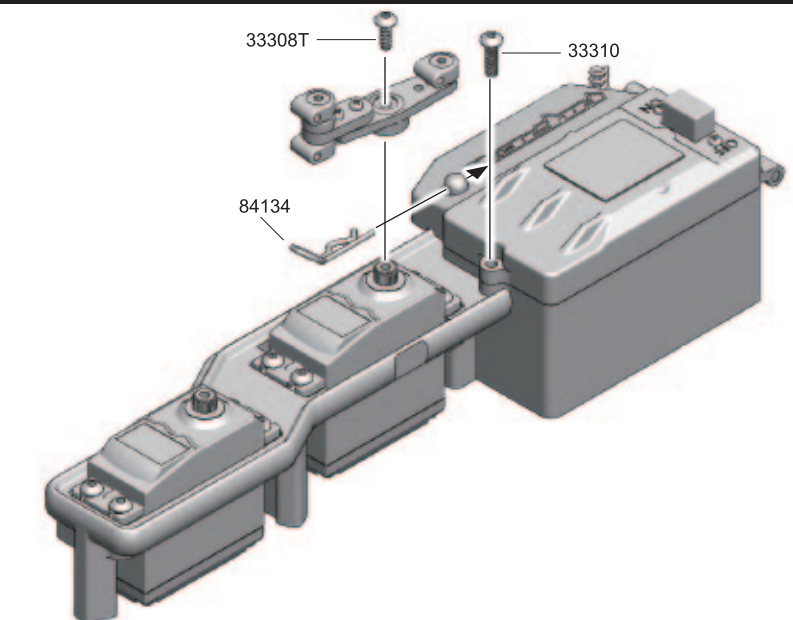
34



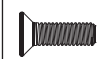
33310
3x10mm x1
B/H Screw



84134
Snap Pin x1

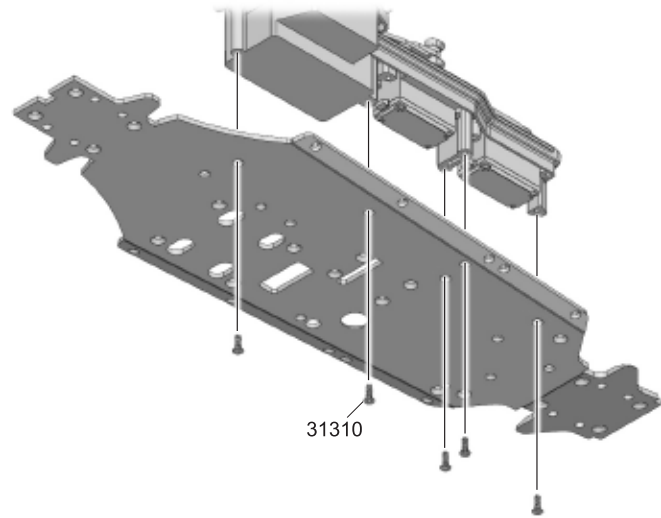


Radio Tray Unit Assembly



31310
3x10mm x5
F/H Screw

35



Fuel Tank Assembly



33308
3x8mm x1
B/H Screw

36



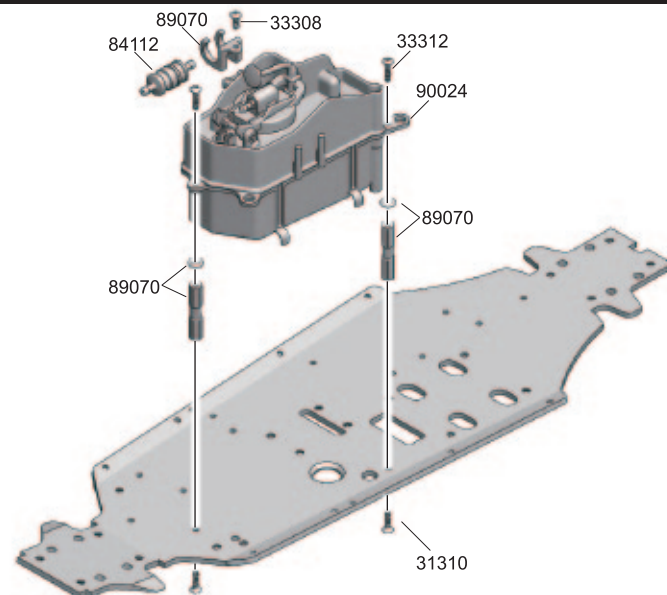
33312
3x12mm x2
B/H Screw



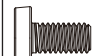
31310
3x10mm x2
F/H Screw



89070
4x8mm x2
O-Ring



Engine Mount/Clutch Assembly

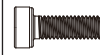


39408
4x8mm x4
Engine Screw

37



32314
3x14mm x4
Cap Screw



32310
3x10mm x1
Cap Screw



87079-1
M3 Nut x4



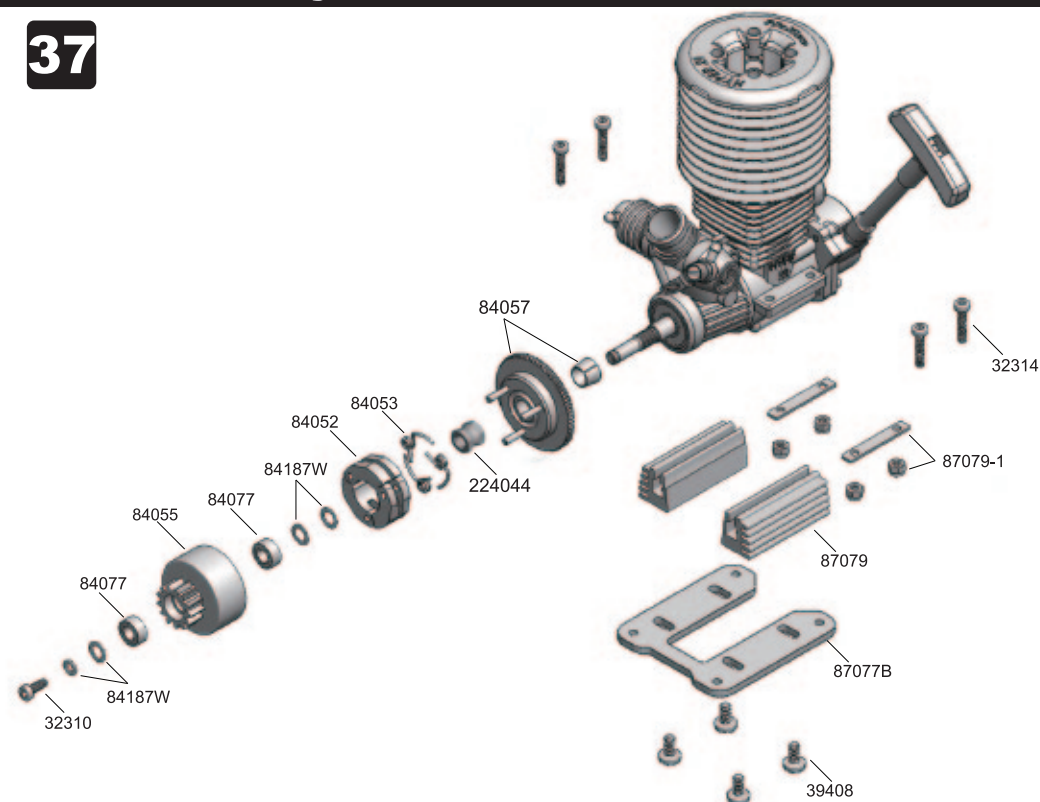
84187W
3x6x0.5mm x1
Washer



84187W
5x8x0.25mm x3
Washer

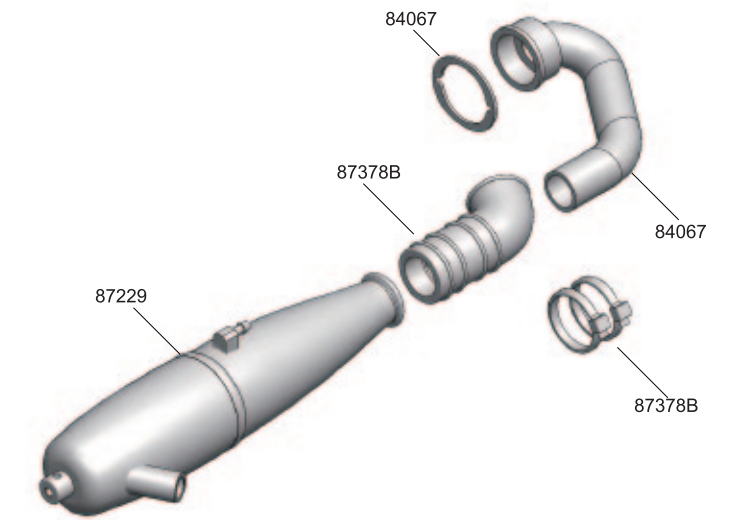


84077
5x10x4mm x2
Ball Bearing



Manifold/Muffler Assembly

38

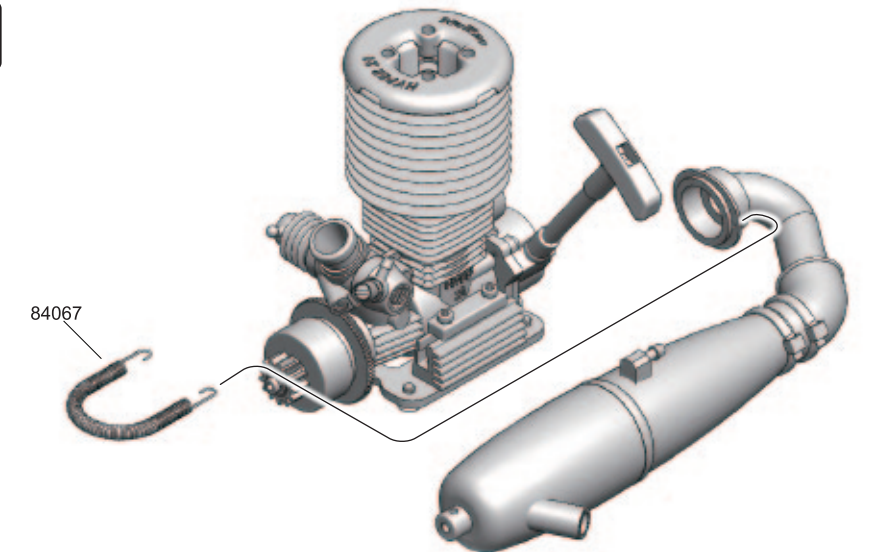


Muffler Assembly



38303
3x3mm x2
Set Screw

39



Engine Unit Assembly

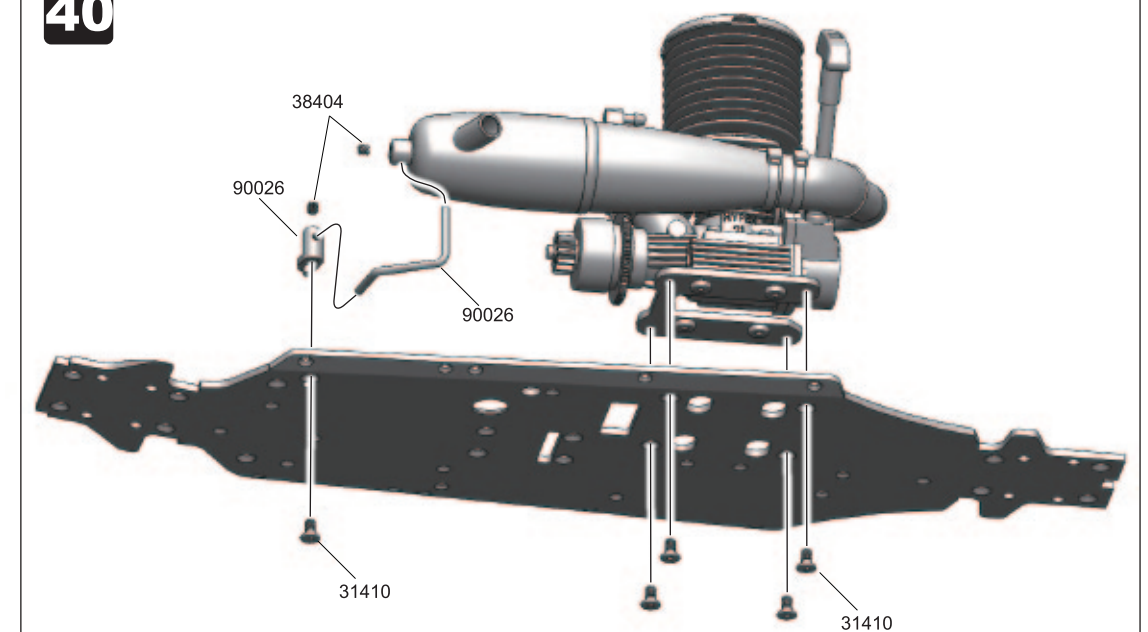


38404
4x4mm x2
Set Screw


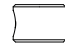
40



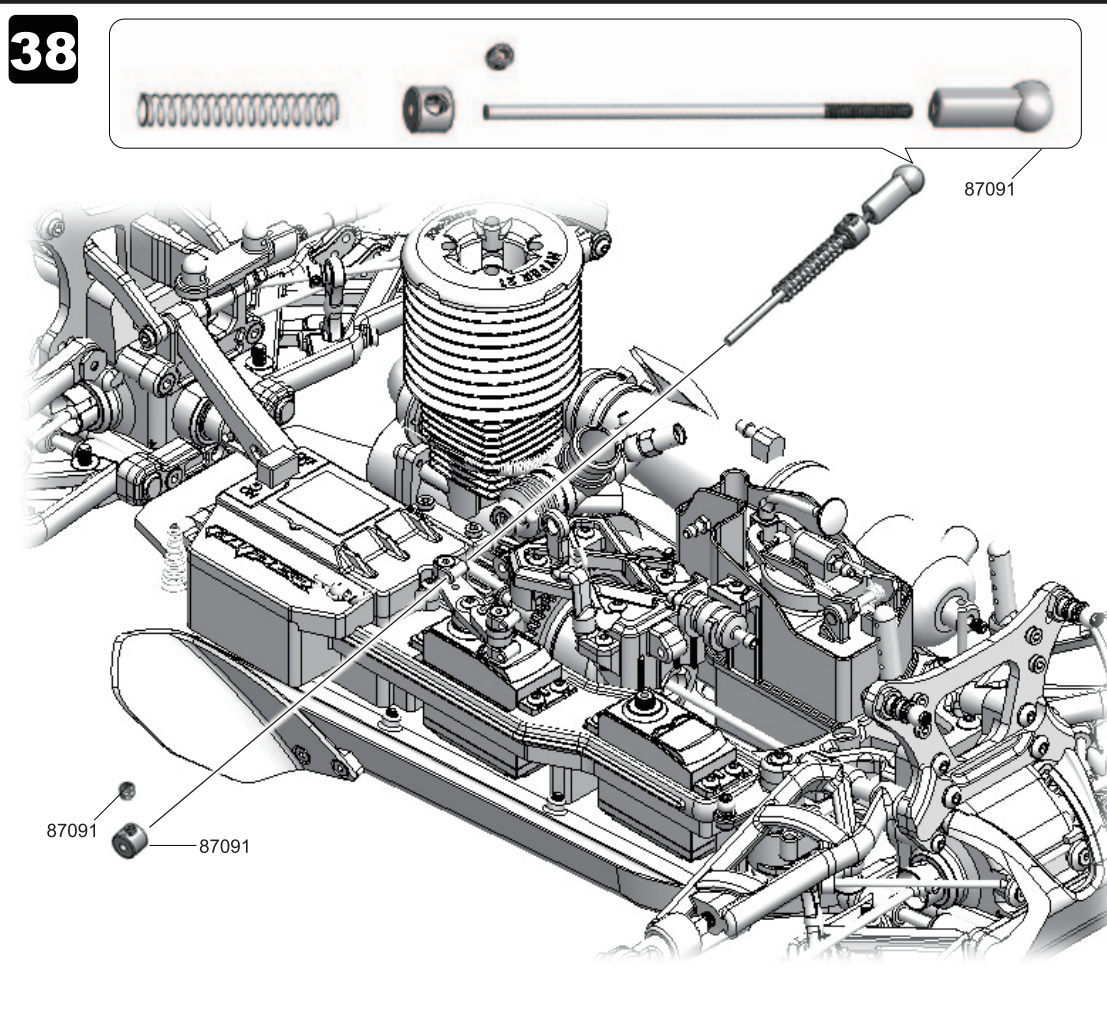
31410
4x10mm x5
F/H Screw






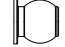
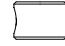
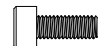
Throttle Link Assembly

-  87091
3x3mm x2
Set Screw
-  87091
Collet x2

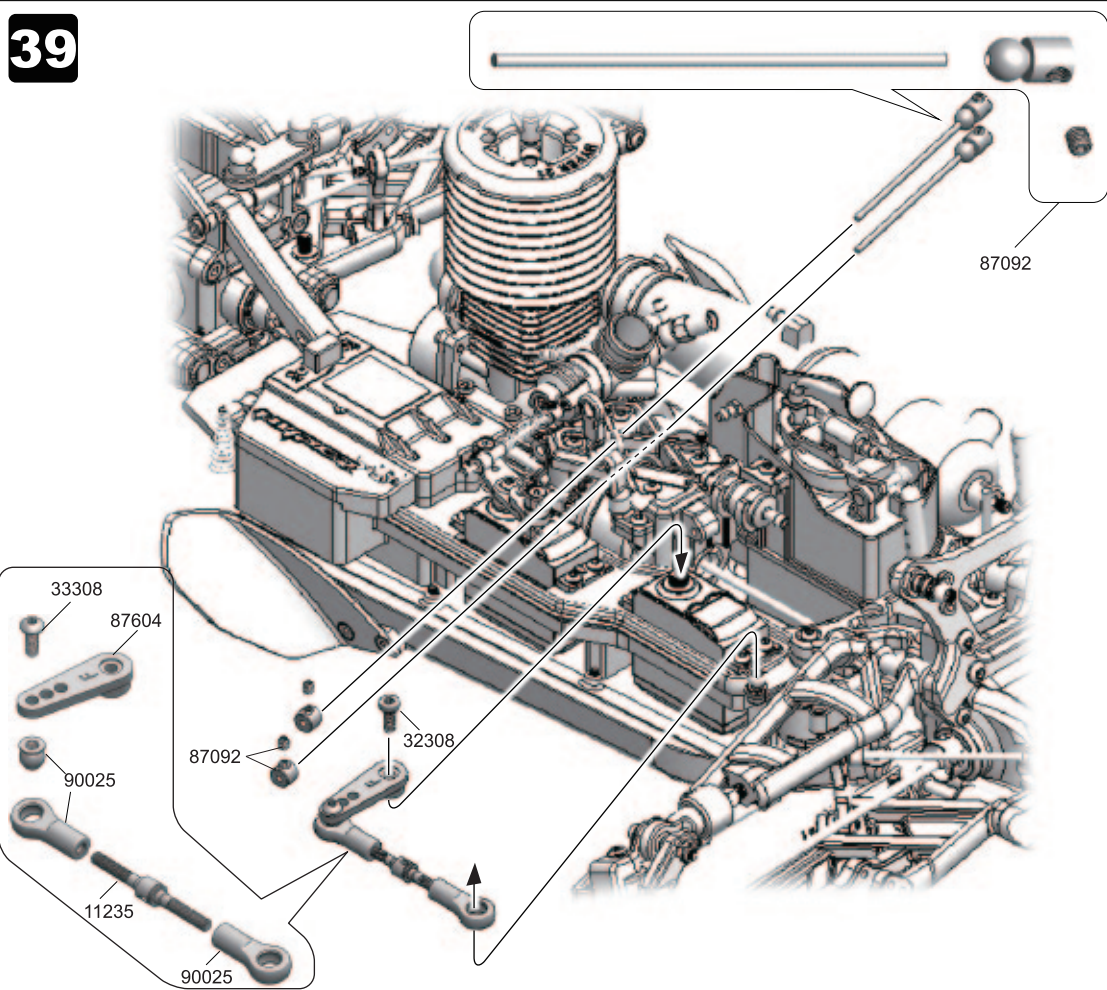
38



Steering/Brake Link Assembly

-  87092
3x3mm x4
Set Screw
-  87092
Pivot Ball x2
-  33308
3x8mm x1
B/H Screw
-  90025
5.8mm x1
Ball Flanged
-  87092 x2
Collet
-  32308
3x8mm x1
Cap Screw

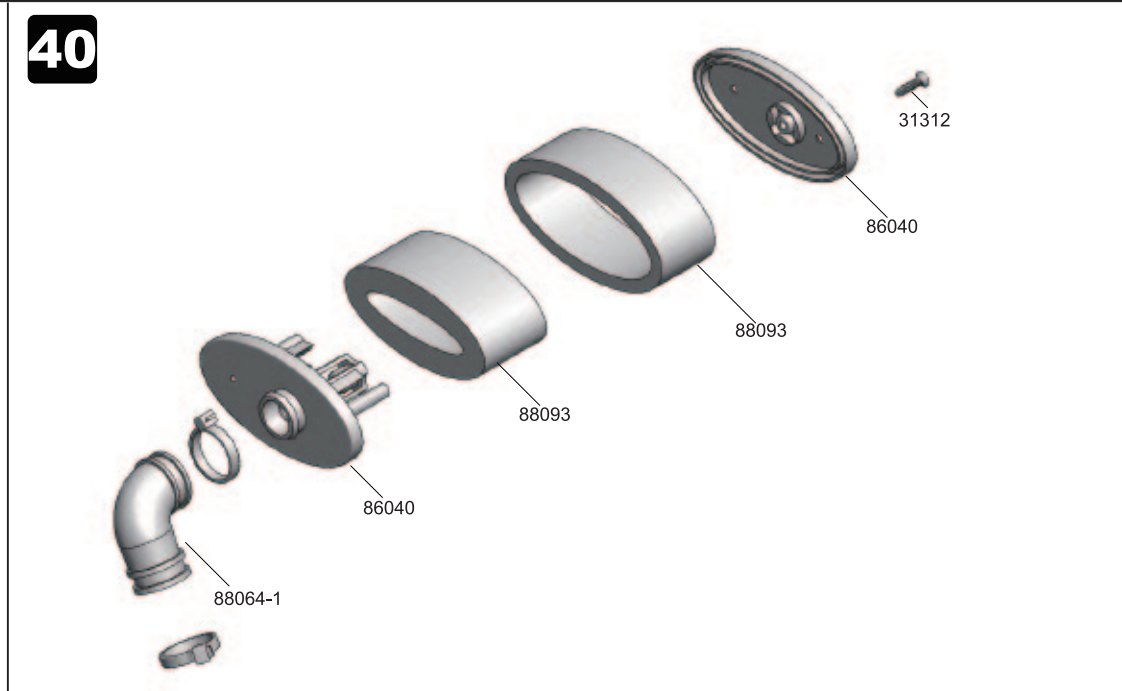
39



Air Filter Assembly 1

-  31312
3x12mm x1
F/H Screw

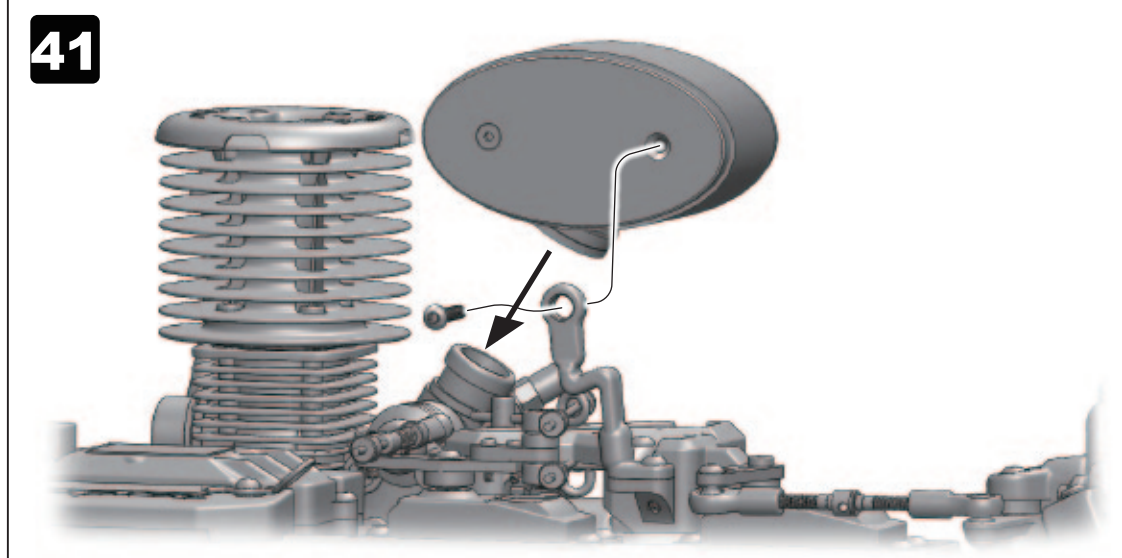
40



Air Filter Assembly 2

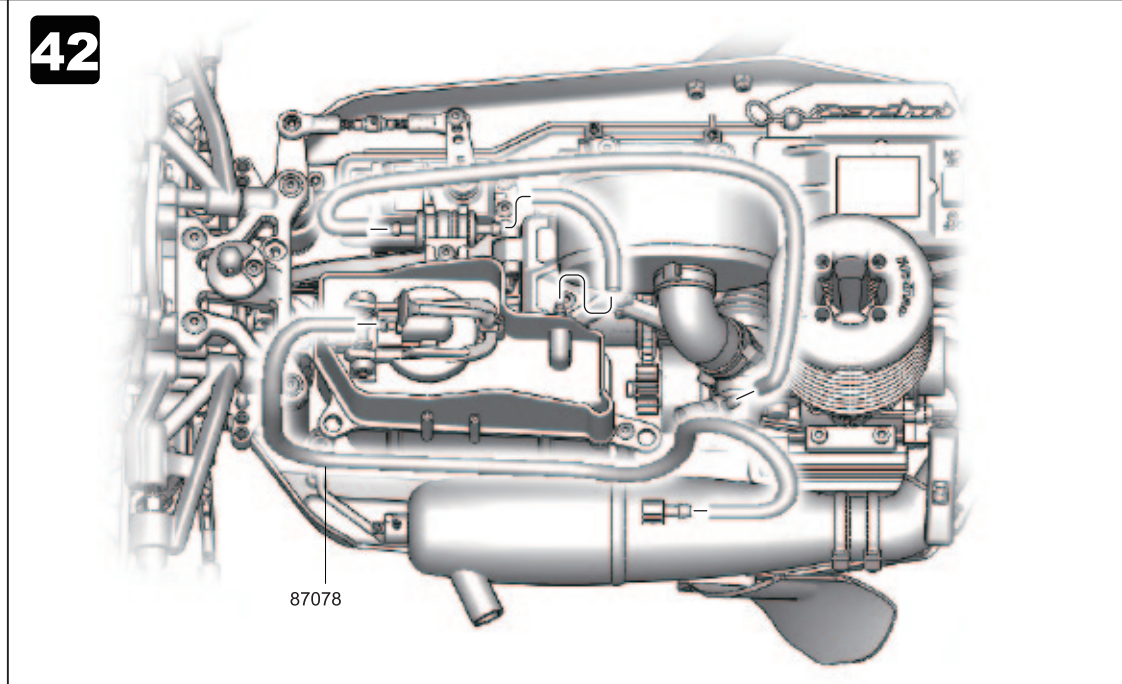
-  33315
3x15mm x1
B/H Screw

41



Fuel Line Assembly 1

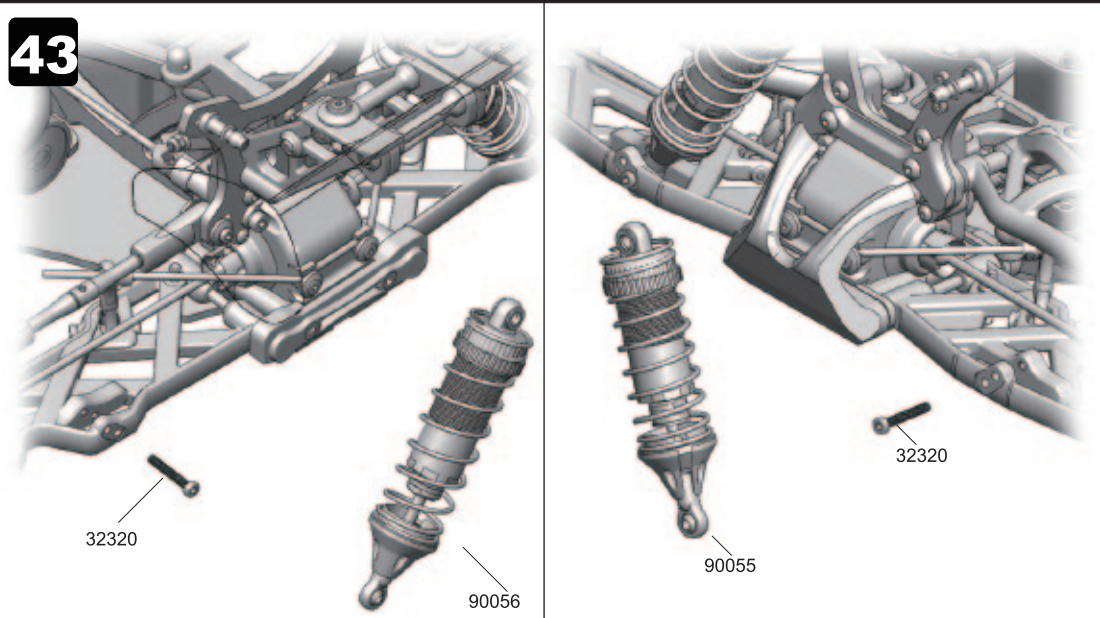
42



Front/Rear Shock Assembly

32320
3x20mm x4
Cap Screw

43

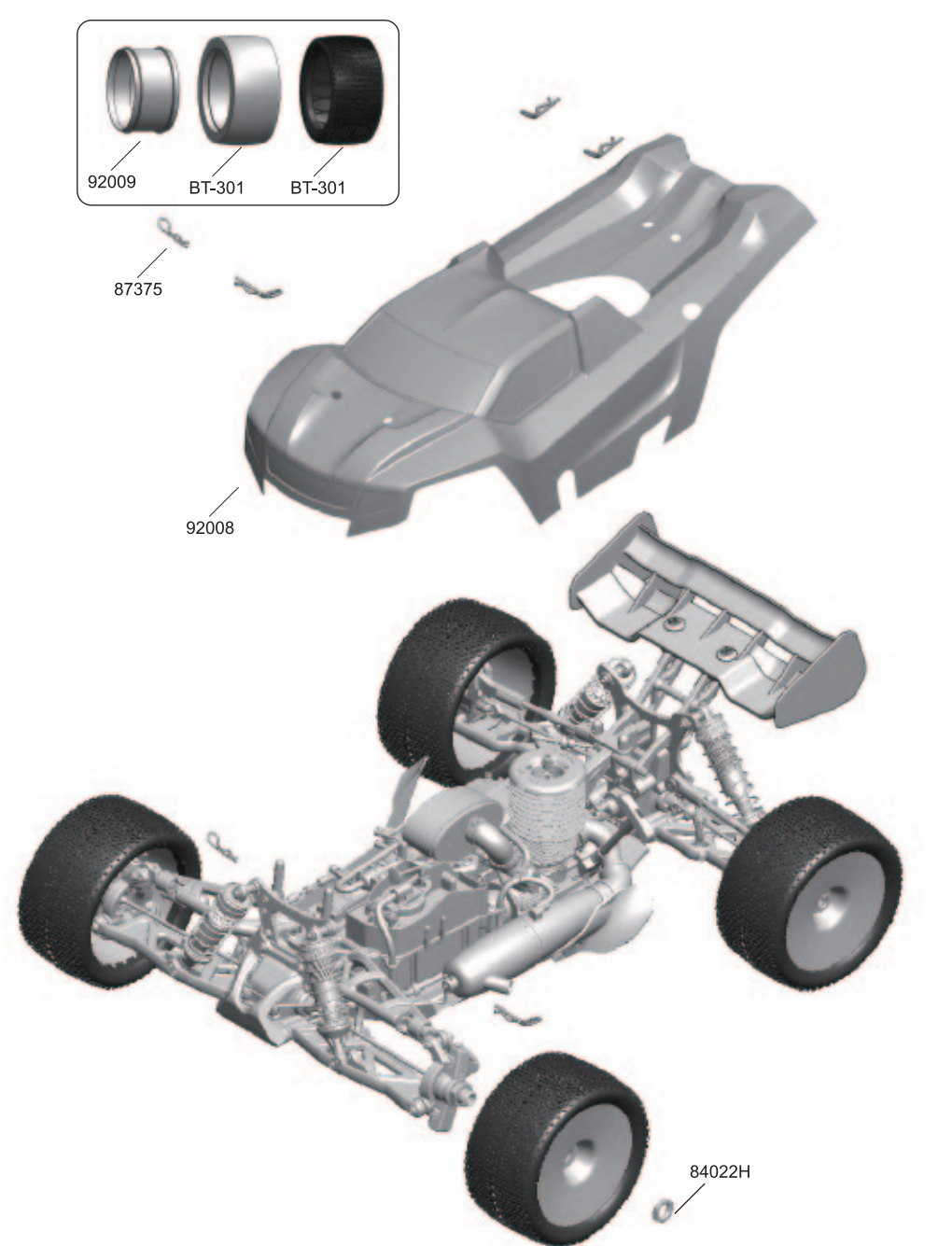


Tire Assembly

84022H
Wheel Hex Nut x4

87375
Body Clip x6

44



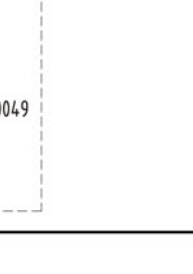
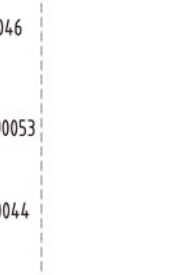
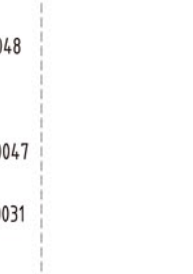
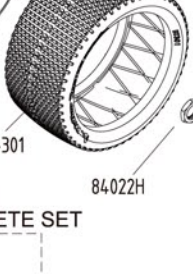
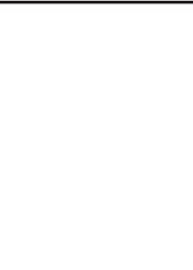
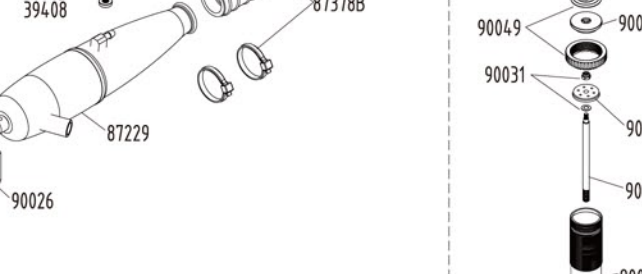
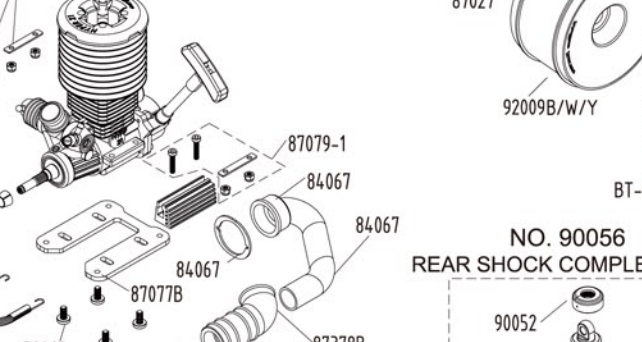
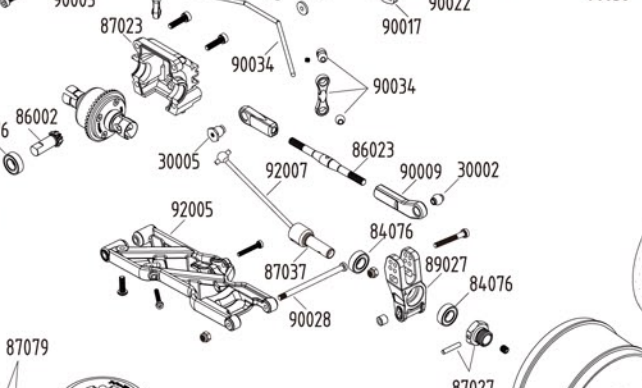
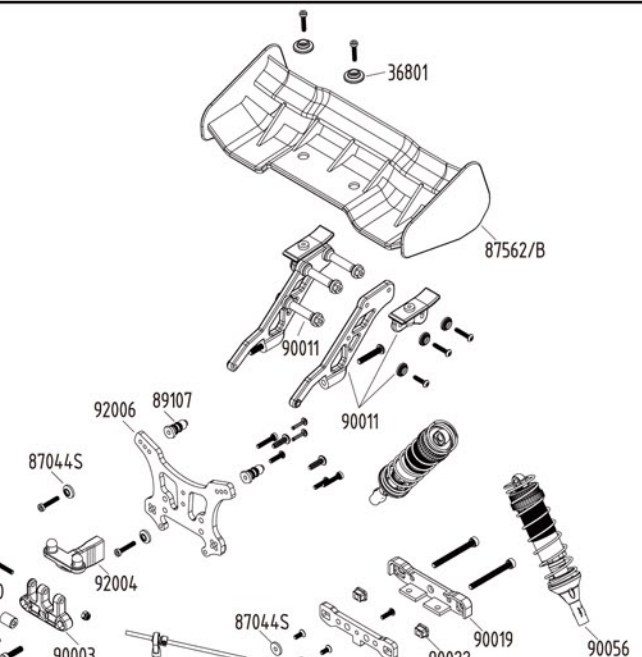
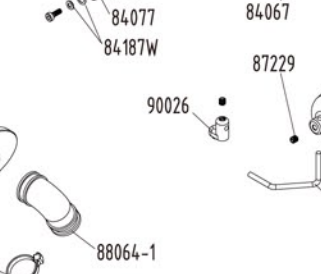
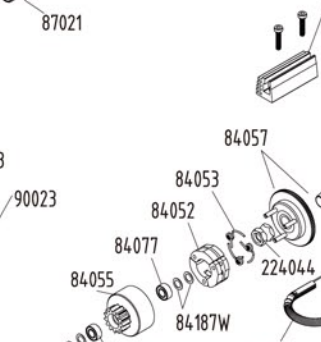
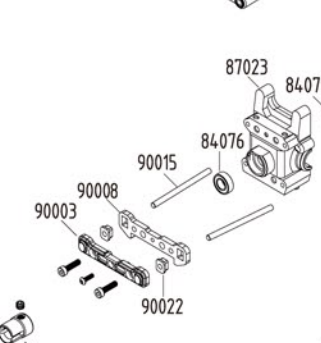
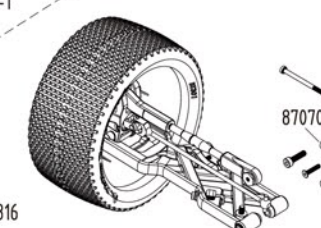
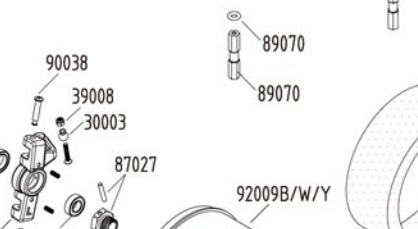
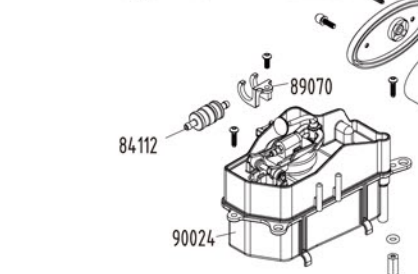
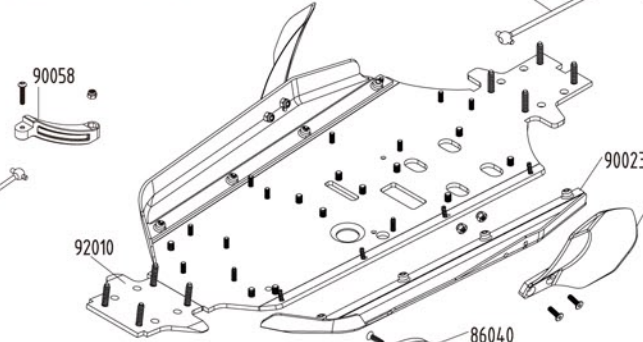
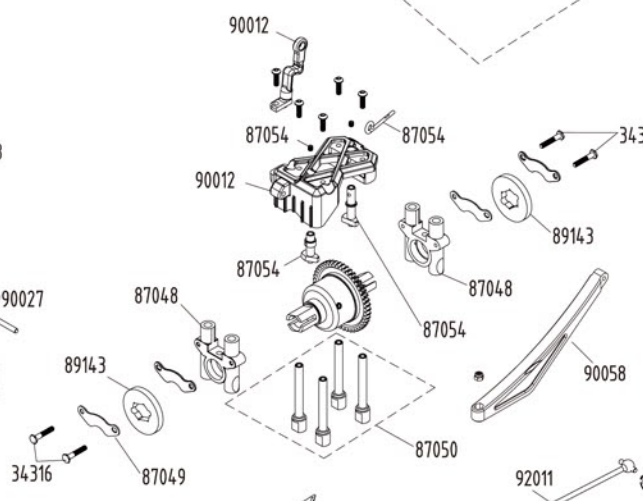
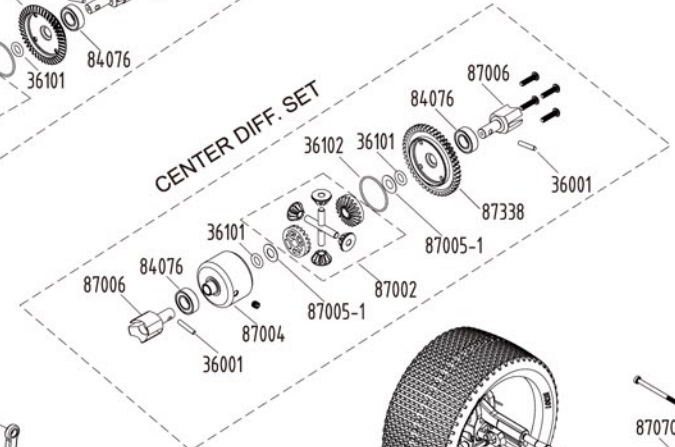
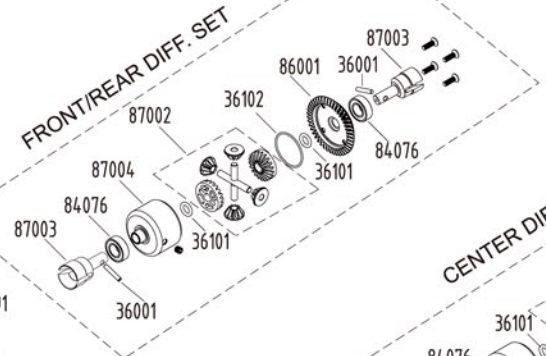
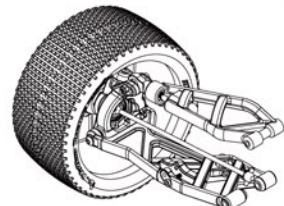
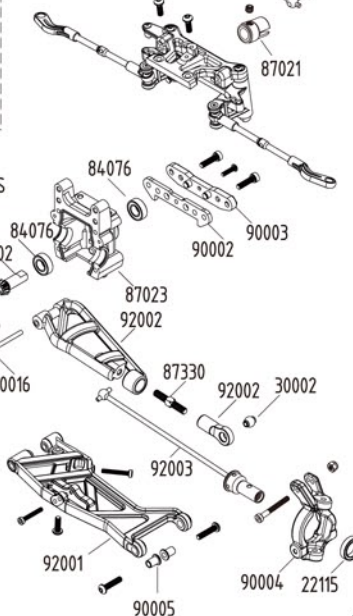
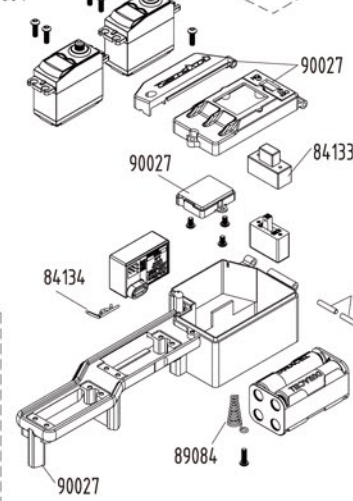
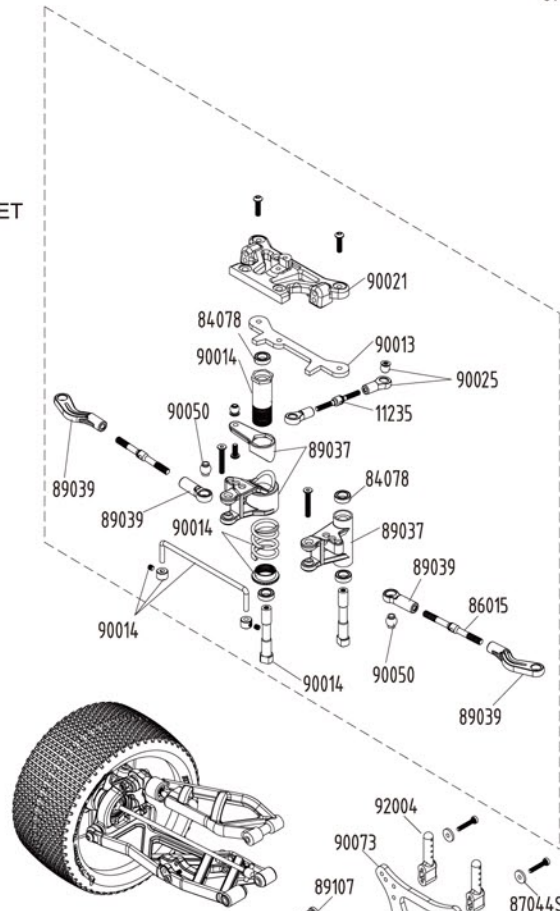
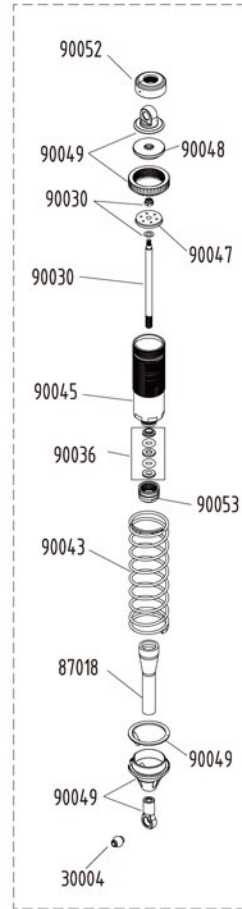
HYPERSS TRUGGY

PARTS LIST 1/8TH SCALE RACING TRUGGY

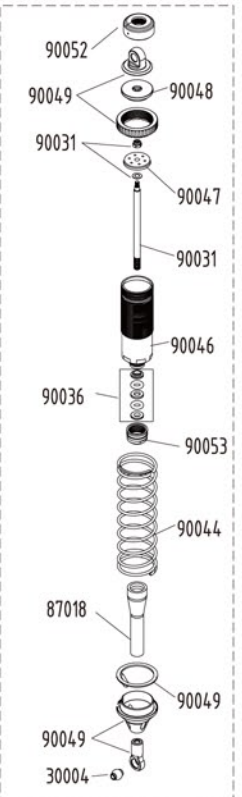
| STANDARD PARTS | | 89084 | ANTENNA PIPE AND POST | 90055 | FRONT SHOCK ABSORBER SET |
|----------------|----------------------------------|-------|---|------------|-----------------------------------|
| 86001 | CROWN GEAR 43T | 89107 | SHOCK BALL STUD 6.8MM | 90056 | REAR SHOCK ABSORBER SET |
| 86002 | DIFFERENTIAL PINION GEAR 11T | 89143 | FIBER BRAKE DISK | 90058 | FRONT/REAR CHASSIS STIFFENER SET |
| 86015 | TURNBUCKLE 4.2x82MM | 90002 | FRONT LOWER ALUM ARM HOLDER - A PLATE | 90073 | SST FRONT SHOCK TOWER |
| 86023 | TURNBUCKLE 5x80MM | 90003 | FRONT/REAR LOWER NYLON ARM HOLDER - C PLATE | 92001 | FRONT LOWER ARM SET |
| 86040 | AIR FILTER BASE AND CAP | 90004 | L/R C-HUB SET | 92002 | FRONT UPPER ARM SET |
| 87002 | BEVEL GEAR SET | 90005 | C-HUB BUSHING | 92003 | CVD SHAFT |
| 87003 | DIFFERENTIAL OUTDRIVE CUP | 90006 | STEERING KNUCKLE SET | 92004 | BODY POST |
| 87004 | DIFFERENTIAL CASE | 90008 | REAR LOWER ALUM ARM HOLDER - A PLATE | 92005 | REAR LOWER ARM SET |
| 87005-1 | SPACER 6.2x13.9x0.3MM | 90009 | REAR SUSPENSION ARM BALL END 7.8MM | 92006 | REAR SHOCK TOWER |
| 87006 | CENTER DIFFERENTIAL OUTDRIVE CUP | 90011 | WING MOUNT SET | 92007 | AXLE |
| 87018 | SHOCK BOOTS | 90012 | CENTER DIFFERENTIAL TOP PLATE/AIR FILTER HOLDER | 92008 | PRINTED BODY |
| 87021 | OUTDRIVE CUP | 90013 | FRONT ALUM TOP PLATE | 92009B/W/Y | REVO WHEEL-BLACK/WHITE/YELLOW |
| 87023 | GEAR BOX | 90014 | SERVO SAVER SET | 92010 | CHASSIS |
| 87027 | WHEEL HUB SET | 90015 | PIN 4x63MM | 92011 | FRONT/REAR CENTER DRIVE SHAFT SET |
| 87027-1 | PIN 2.5x16.8MM | 90016 | PIN 3x48MM | BT-301 | TIRE WITH INSERT |
| 87037 | AXLE CUP | 90017 | REAR LOWER ALUM ARM HOLDER - B PLATE | 84022H | WHEEL HEX NUT |
| 87044S | ALUM COLLAR | 90019 | FRONT/REAR BUMPER SET | 84052 | CLUTCH SHOE |
| 87048 | CENTER DIFFERENTIAL MOUNT | 90021 | FRONT TOP PLATE HOLDER | 84053 | CLUTCH SPRING |
| 87049 | BRAKE PAD | 90022 | ADJUSTABLE INSERT SET | 84055 | CLUTCH BELL 14T |
| 87050 | CENTER DIFFERENTIAL MOUNT POST | 90023 | SIDE GUARD/MUD DEFLECTOR | 84057 | FLYWHEEL |
| 87054 | BRAKE CAM SET | 90024 | FUEL TANK 150cc | 84067 | MANIFOLD SET |
| 87070 | REAR CHASSIS STIFFENER SCREW SET | 90025 | BALL END/BALL FLANGED 5.8MM | 84076 | BEARING 8x16x5MM |
| 87077B | ENGINE MOUNT PLATE | 90026 | MUFFLER MOUNT SET | 84077 | BEARING 5x10x4MM |
| 87078 | FUEL TUBE | 90027 | RADIO TRAY SET | 84078 | BEARING 6x10x3MM |
| 87079 | ENGINE MOUNT | 90028 | SCREW M3x50MM | 84112 | FUEL FILTER |
| 87079-1 | ENGINE MOUNT SPACER & SCREW SET | 90030 | FRONT SHOCK SHAFT | 84133 | SWITCH COVER - BLUE |
| 87091 | THROTTLE LINKAGE SET | 90031 | REAR SHOCK SHAFT | 84134 | SNAP PIN |
| 87092 | BRAKE LINKAGE SET | 90033 | FRONT STABILIZER SET | 84187W | CLUTCH BELL WASHER |
| 87229 | MUFFLER | 90034 | REAR STABILIZER SET | 30002 | BALL LONG 7.8MM |
| 87330 | TURNBUCKLE M5x31 | 90036 | SHOCK ABSORBER REPAIR SET | 30003 | STEERING BALL 6.8MM |
| 87338 | CENTER SPUR GEAR 48T | 90038 | HINGE PIN | 30004 | BALL 6.8MM |
| 87356-1 | FRONT ANTI-ROLL BAR 2.5MM | 90043 | FRONT SHOCK SPRING | 30005 | BALL FLANGED 7.8MM |
| 87375 | BODY CLIP | 90044 | REAR SHOCK SPRING | 34316 | BRAKE SCREW M3x16.5MM |
| 87378B | MUFFLER SILICON TUBE | 90045 | FRONT SHOCK BODY | 36001 | PIN 2.5x13.8MM |
| 87562/B | REAR WING - WHITE/BLACK | 90046 | REAR SHOCK BODY | 36101 | O-RING 5.8x1.9MM |
| 87604 | SERVO HORN | 90047 | SHOCK PISTON | 36102 | O-RING 22x0.9MM |
| 88064-1 | INTAKE TUBE | 90048 | SHOCK BLADDER | 39008 | NYLON NUT M3 |
| 88093 | AIR FILTER FOAM | 90049 | SHOCK NYLON SET | 39408 | ENGINE MOUNT SCREW |
| 89027 | REAR HUB SET | 90050 | BALL FLANGED 6.8MM | 22115 | BEARING 12x18x4MM |
| 89037 | SERVO SAVER ARM SET | 90052 | SHOCK CAP TOP | 224044 | FLYWHEEL NUT |
| 89039 | NYLON STEERING BALL END 6.8MM | 90053 | SHOCK CAP BOTTOM | 11235 | TURNBUCKLE 3x36.5MM |
| 89070 | FUEL TANK POST & MOUNT | 90054 | FRONT/REAR SHOCK ABSORBER SET | | |

HYPERSS TRUGGY

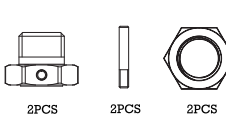

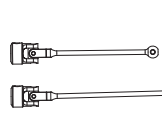
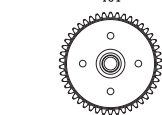
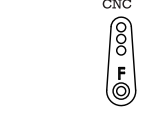
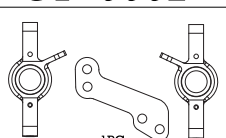

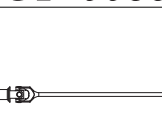
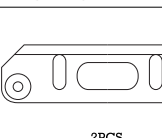
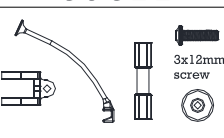
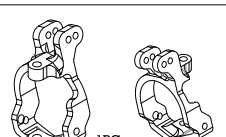
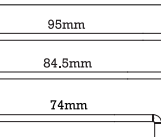
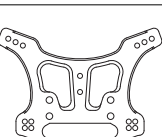
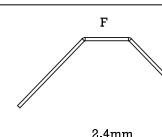
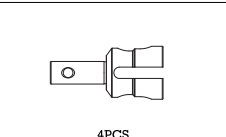
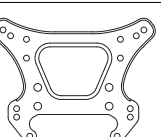
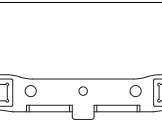
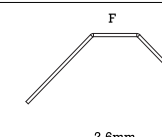
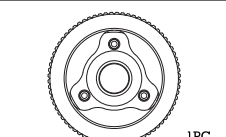
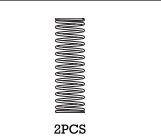
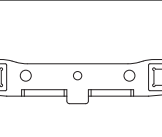
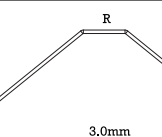
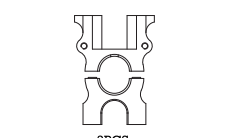
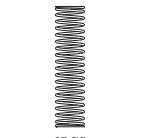
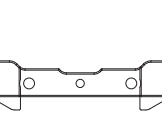
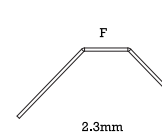
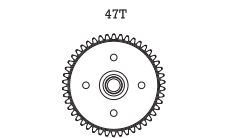
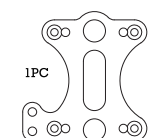
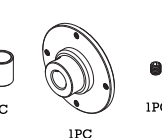
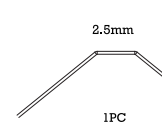
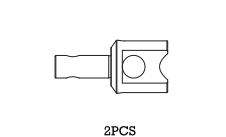
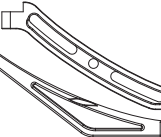
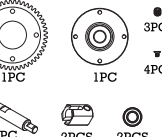
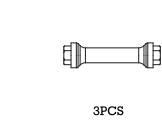

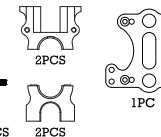
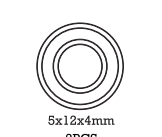
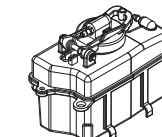

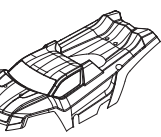
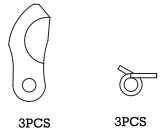
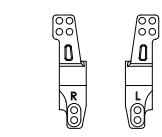
NO. 90055
FRONT SHOCK COMPLETE SET



NO. 90056
REAR SHOCK COMPLETE SET






| | | | | | | | | | | | | | |
|--|--|---|--|--|--|--|------------------------------|----------------------------|-----------------------------|--|--|--|---------------------------------|
| 86001 43T 6.8x1.9mm x2PCS O-ring 3x12mm x4PCS Screw 1PC | 87018 4PCS | 87077B 1PC | 87378B 2PCS 4PCS | 89107 6.8mm 4PCS | 90012 1PC 1PC | 90024 1PC 4PCS | 90038 M3x8 4PCS | 90056 2PCS | 92008 1PC | 84067 1PC 2PCS | 30005 7.8mm x4PCS | | |
| 86002 11T 1PC | 87021 2PCS 5x4mm Set screw 2PCS | 87078 FUEL TUBE 2PCS | 87562/B 1PC | 89143 2PCS | 90013 1PC | 90025 2PCS 2PCS | 90043 2PCS | 90044 2PCS | 90058 2PCS | 92009B/W/Y 1PC | 84076 8x16mmx5 x4PCS | 34316 3x16.5mm x4PCS | |
| 86015 1PC | 87023 1PC 1PC | 87079 2PCS 2PCS | 87604 1PC | 90002 1PC | 90014 74mm 1PC 2PCS 2PCS 1PC 1PC 3x3mm X2 Set screw | 90026 4x4mm Set screw 1PC | 90045 2PCS | 90046 2PCS | 90073 1PC | 92010 1PC | 84077 5x10mmx4 x4PCS | 36001 2.5x13.8mm x4pcs | |
| 86023 1PC | 87027 2PCS 5x5mm x2PCS Set screw 2.5x16.8mm 2PCS | 87079-1 2PCS 4PCS 3x14mm screw 4PCS | 88064-1 2PCS 1PC | 90003 1PC 1PC | 90015 4x63mm 2PCS | 90027 1PC 1PC 1PC | 90047 4PCS | 90048 4PCS | 92001 1PC | 92011 1PC CENTER(F) 1PC CENTER(R) | 84078 6x10mmx3 x4PCS | 36101 5.8x1.9mm x10pcs O-ring | |
| 86040 1PC 1PC | 87027-1 2.5x16.8mm 4PCS | 87091 1PC 1PC 3x3mm x2PCS Set screw 2PCS 4PCS 1PC | 88093 2PCS 2PCS | 90004 L R 1PC 1PC | 90016 3x48mm 2PCS | 90028 3x50mm 2PCS | 90049 4PCS | 92002 1PC 1PC | BT-301 1PC 1PC | 84112 1PC | 36102 22x0.8mm x6pcs O-ring | | |
| 87002 2PCS 2PCS 4PCS 4PCS | 87037 2PCS | 87044S 3x10mm 10PCS | 87092 1PC 2PCS 3x3mm x4pcs Set screw 1PC 1PC 1PC 2PCS | 89027 L R 1PC 4PCS | 90005 4PCS 4x18mm x4PCS screw | 90017 R(R) 1PC | 90030 2PCS | 90050 2PCS | 92003 2PCS | 84022H 4PCS | 84133 3PCS | 84134 1PC | 36801 15 x4.5mm x4PCS |
| 87003 2PCS | 87048 2PCS | 87049 4PCS | 87229 1PC 4x4mm Set screw | 89037 1PC | 90006 L R 1PC 1PC | 90019 1PC 1PC | 90031 2PCS | 90052 2PCS | 92004 1PC | 84052 3PCS | 84187W 3x6x0.5mm 6PCS 5x8x0.25mm 6PCS | 39008 M3 x10PCS | 39408 4x8mm x5PCS |
| 87004 1PC 4x4mm Set screw 1PC | 87050 4PCS | 87330 5x31mm 2PCS | 89039 1PC 6.8mm | 90008 R(F) 1PC | 90021 1PC 1PC | 90033 F 1PC 2.5mm 2PCS 2PCS 6.8mm x2 3x3mm x2 Set screw | 90053 2PCS | 92005 1PC | 84053 4PCS | 30002 7.8mm x4PCS | 22115 12x18x4mm | | |
| 87005-1 6.2x13.9x0.3mm 6PCS | 87054 1PC 2PCS 3x3mm x2PCS Set screw | 87338 48T 1PC | 89070 3x8mm x1PC 3x15mm x1PC 1PC 1PC 2PCS 4PCS | 90009 2PCS 2PCS | 90022 4PCS 4PCS | 90034 R 1PC 2.5mm 2PCS 2PCS 6.8mm x2 3x3mm x2 Set screw | 90054 2PCS 2PCS | 92006 1PC | 84055 1PC | 30003 6PCS | 224044 2PCS | | |
| 87006 2PCS | 87070 3x50mm screw 1PC 1PC | 87375 1PC | 89084 1PC 3x10mm Screw 3x8mm Screw | 90011 1PC 1PC 6PCS 3PCS 1PC 1PC | 90023 L R 1PC 1PC | 90036 5PCS 5PCS 10PCS | 90055 2PCS | 92007 2PCS | 84057 1PC | 30004 6.8mm x4PCS | 11235 3x36.5mm 2PCS | | |

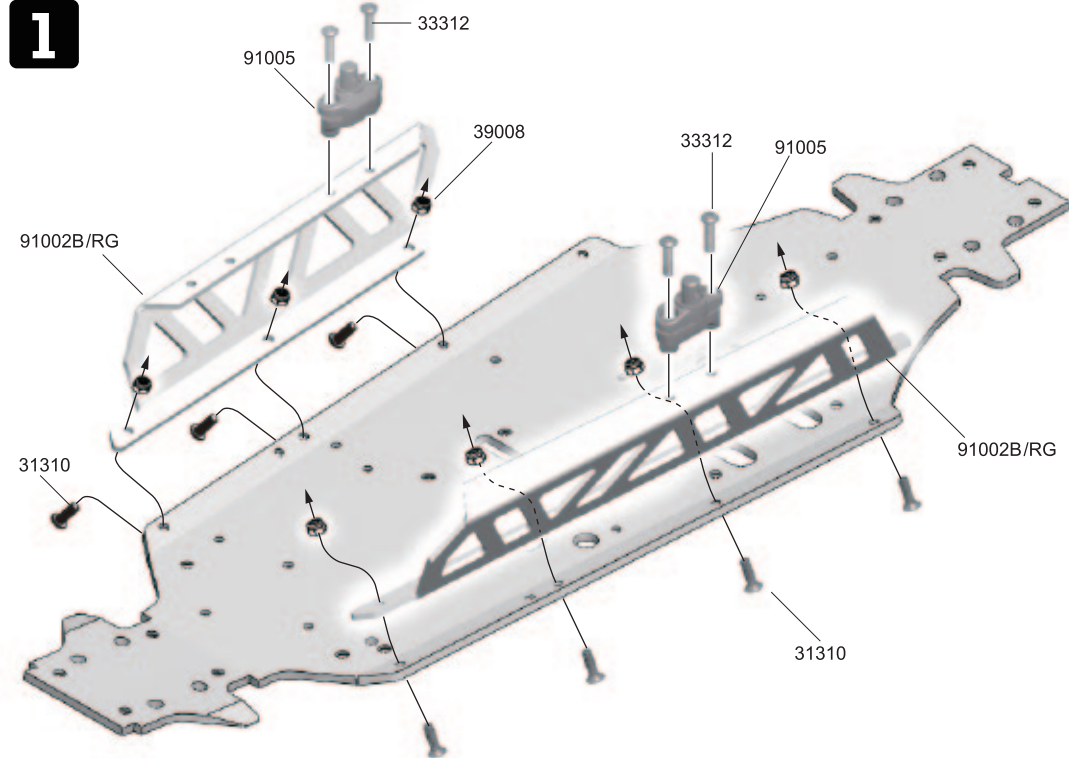
| | | | | |
|--|--|--|--|--|
| OP-0001  2PCS 2PCS 2PCS | OP-0017  18T 5X12 BEARING | OP-0058  46T 1PC | 87005  46T 1PC | 89635  CNC F 1PC |
| OP-0002  1PC | OP-0018  19T 5X12 BEARING | OP-0059  2PCS | 87077C  2PCS | 89811  1PC 1PC 2PCS 4PCS |
| OP-0003  1PC | OP-0019  95mm 84.5mm 74mm | OP-0060  2.4mm 1PC | 87329  F 2.4mm 1PC | |
| OP-0004  4PCS | OP-0025  2.6mm 1PC | OP-0064  2.6mm 1PC | 87329-2  F 2.6mm 1PC | |
| OP-0005  1PC | OP-0045  2PCS | OP-0065  3.0mm 1PC | 87329-3  R 3.0mm 1PC | |
| OP-0006  2PCS | OP-0046  2PCS | OP-0066  2.3mm 1PC | 87356  F 2.3mm 1PC | |
| OP-0007  47T 1PC | OP-0049  1PC 2PCS | OP-0068  1PC 1PC 1PC | 87356-1  2.5mm 1PC | |
| OP-0014  2PCS | OP-0050  3PCS 1PC 4PCS | OP-0069  1PC 2PCS 2PCS 1PC | 88036  3PCS | |
| OP-0015  5X12 BEARING | OP-0052  1PC 2PCS 4PCS 2PCS | OP-0070  5x12x4mm 2PCS | 89069  | |
| OP-0016  5X12 BEARING | OP-0057  | 86121  3PCS | 89147  3PCS | |

| SCREWS | | OPTIONAL PARTS | |
|--------|------------------------------|----------------|---|
| 31310 | M3 X 10 FLAT HEAD SCREW | OP-0001 | WHEEL HEX |
| 31312 | M3 X 12 FLAT HEAD SCREW | OP-0002 | CNC STEERING KNUCKLE SET |
| 31315 | M3 X 15 FLAT HEAD SCREW | OP-0003 | CNC L/R C-HUB SET |
| 31317 | M3 X 17 FLAT HEAD SCREW | OP-0004 | LIGHT WEIGHT DIFFERENTIAL OUTDRIVE CUP |
| 31318 | M3 X 18 FLAT HEAD SCREW | OP-0005 | LIGHT WEIGHT FLYWHEEL |
| 31320 | M3 X 20 FLAT HEAD SCREW | OP-0006 | CNC CENTER DIFFERENTIAL MOUNT |
| 31410 | M4 X 10 FLAT HEAD SCREW | OP-0007 | CENTER SPUR GEAR 47T |
| 31414 | M4 X 14 FLAT HEAD SCREW | OP-0014 | LIGHT WEIGHT CENTER DIFFERENTIAL OUTDRIVE CUP |
| 32306 | M3 X 6 CAP HEAD SCREW | OP-0015 | CNC CLUTCH BELL 16T (5X12 BEARING) |
| 32308 | M3 X 8 CAP HEAD SCREW | OP-0016 | CNC CLUTCH BELL 17T (5X12 BEARING) |
| 32310 | M3 X 10 CAP HEAD SCREW | OP-0017 | CNC CLUTCH BELL 18T (5X12 BEARING) |
| 32314 | M3 X 14 CAP HEAD SCREW | OP-0018 | CNC CLUTCH BELL 19T(5X12 BEARING) |
| 32316 | M3 X 16 CAP HEAD SCREW | OP-0019 | ACKERMAN ROD SET |
| 32320 | M3 X 20 CAP HEAD SCREW | OP-0025 | CNC LIGHT WEIGHT REAR SHOCK TOWER |
| 32325 | M3 X 25 CAP HEAD SCREW | OP-0045 | FRONT SHOCK SPRING -ORANGE |
| 32350 | M3 X 50 CAP HEAD SCREW | OP-0046 | REAR SHOCK SPRING -ORANGE |
| 32415 | M4 X 15 CAP HEAD SCREW | OP-0049 | CNC CENTER DIFF. TOP PLATE |
| 32440 | M4 X 40 CAP HEAD SCREW | OP-0050 | CNC F/R CHASSIS STIFFENER SET |
| 33305 | M3 X 5 BUTTON HEAD SCREW | OP-0052 | CNC CENTER DIFF. MOUNT SET |
| 33308 | M3 X 8 BUTTON HEAD SCREW | OP-0057 | CLEAR BODY |
| 33308T | M3 X 8 BUTTON HEAD TAP SCREW | OP-0058 | CENTER UNIVERSAL DRIVE SHAFT SET |
| 33310 | M3 X 10 BUTTON HEAD SCREW | OP-0059 | REAR UNIVERSAL DRIVE SHAFT |
| 33312 | M3 X 12 BUTTON HEAD SCREW | OP-0060 | CNC LIGHT WEIGHT REAR SHOCK TOWER |
| 33315 | M3 X 15 BUTTON HEAD SCREW | OP-0064 | CNC REAR LOWER ALUM ARM HOLDER 2"-3"-4" - B PLATE |
| 33414 | M4 X 14 BUTTON HEAD SCREW | OP-0065 | CNC REAR LOWER ALUM ARM HOLDER 2.5"-3.5"-4.5" - B PLATE |
| 34316 | M3 X 16 HEX SCREW | OP-0066 | CNC REAR LOWER ALUM ARM HOLDER - A PLATE |
| 35208 | M2 X 8 PAN HEAD SCREW | OP-0068 | GEAR HOLDER FOR CENTER SOLID AXLE |
| 35210 | M2 X 10 PAN HEAD SCREW | OP-0069 | CENTER SOLID AXLE SET FOR HYPER 7/SS |
| 35412 | M4 X 12 BUTTON HEAD SCREW | OP-0070 | BEARING 5x12MM |
| 35418 | M4 X 18 BUTTON HEAD SCREW | 86121 | CNC CLUTCH SHOES |
| 35422 | M4 X 22 BUTTON HEAD SCREW | 87005 | CENTER SPUR GEAR 46T |
| 38303 | M3 X 3 SET SCREW | 87077C | CNC LIGHT WEIGHT ENGINE MOUNT PLATE |
| 38308 | M3 X 8 SET SCREW | 87329 | FRONT ANTI-ROLL BAR 2.4MM |
| 38404 | M4 X 4 SET SCREW | 87329-2 | FRONT ANTI-ROLL BAR 2.6MM |
| 38504 | M5 X 4 SET SCREW | 87329-3 | REAR ANTI-ROLL BAR 3.0MM |
| 38505 | M5 X 5 SET SCREW | 87356 | FRONT ANTI-ROLL BAR 2.3MM |
| 39008 | M3 NYLON NUT | 87356-1 | FRONT ANTI-ROLL BAR 2.5MM |
| | | 88036 | CNC WING MOUNT POST |
| | | 89069 | FUEL TANK 125cc |
| | | 89147 | CNC REAR WHEEL HUB |
| | | 89635 | CNC FUTABA SERVO HORN |
| | | 89811 | 8 SC FUEL TANK POST AND LID PULL |




HYPERS EDGE TRUGGY

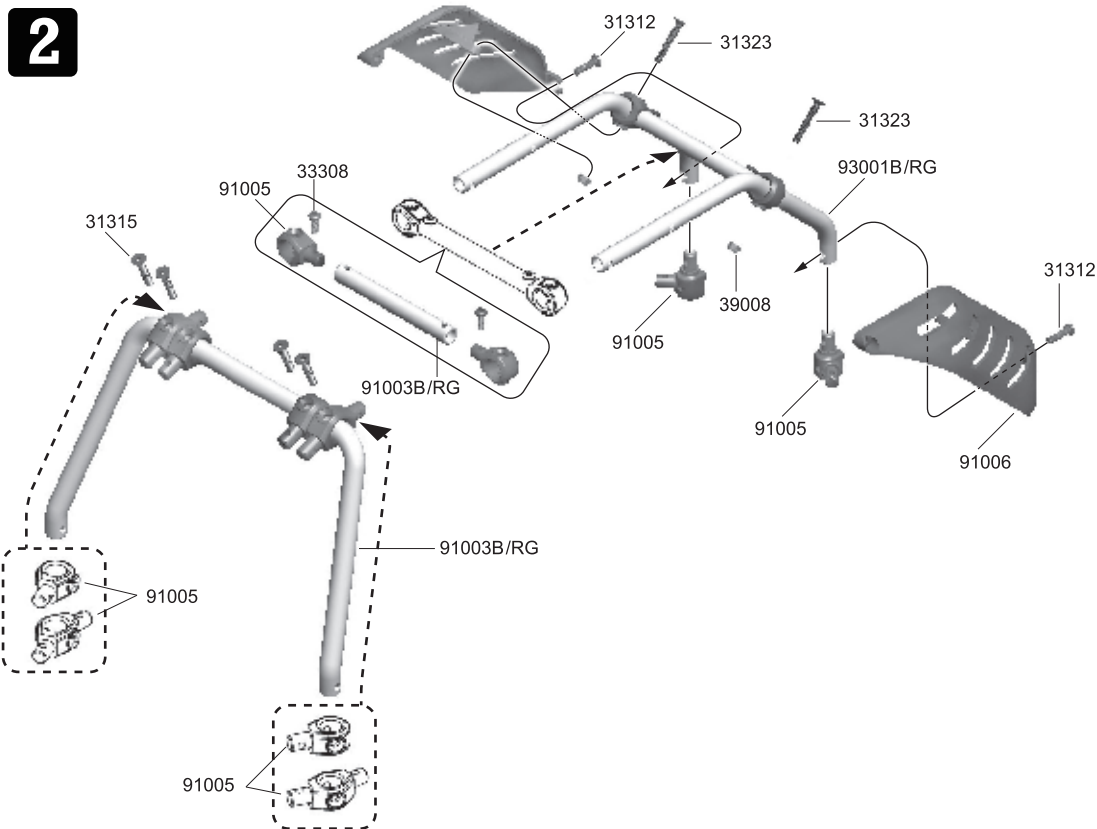
Cage Assembly 1

-  33312
3x12mm x4
B/H Screw
-  39008
M3 Nut x7
-  31310
3x10mm x7
F/H Screw



Cage Assembly 2

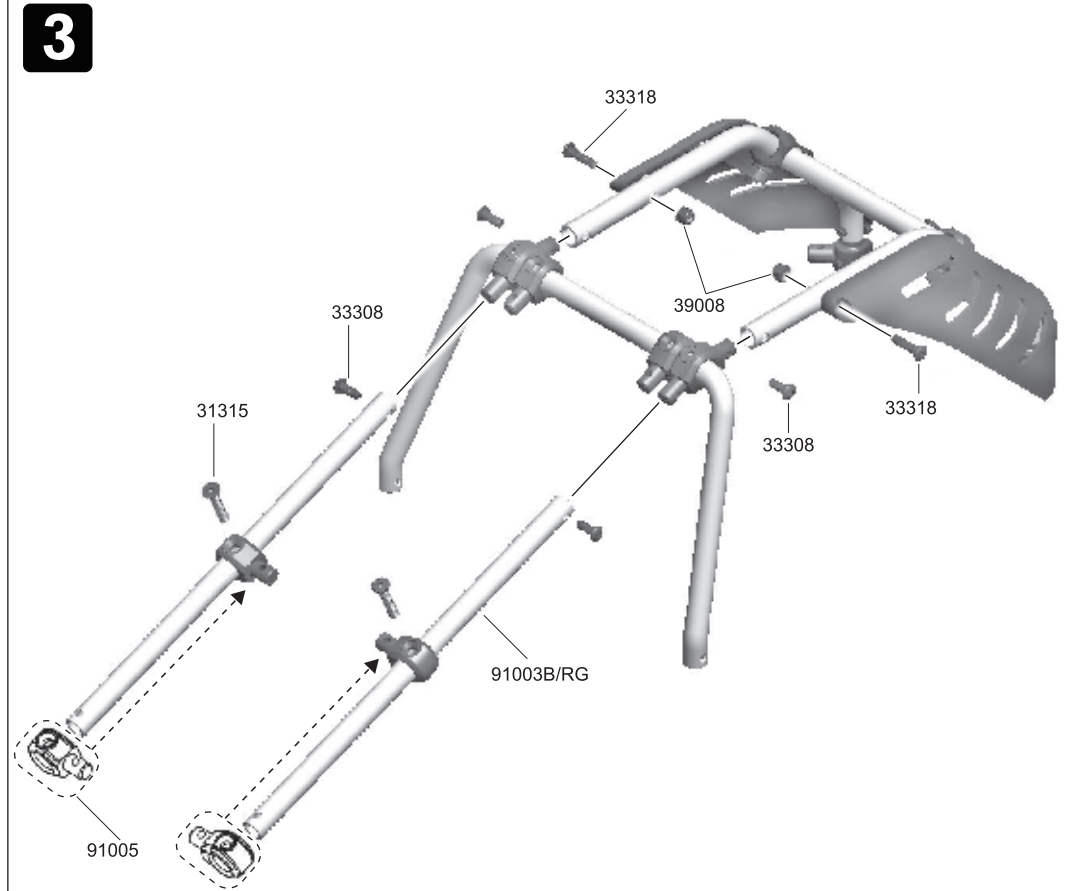
-  31312
3x12mm x2
F/H Screw
-  31315
3x15mm x6
F/H Screw
-  31323
3x23.8mm x2
F/H Screw





26

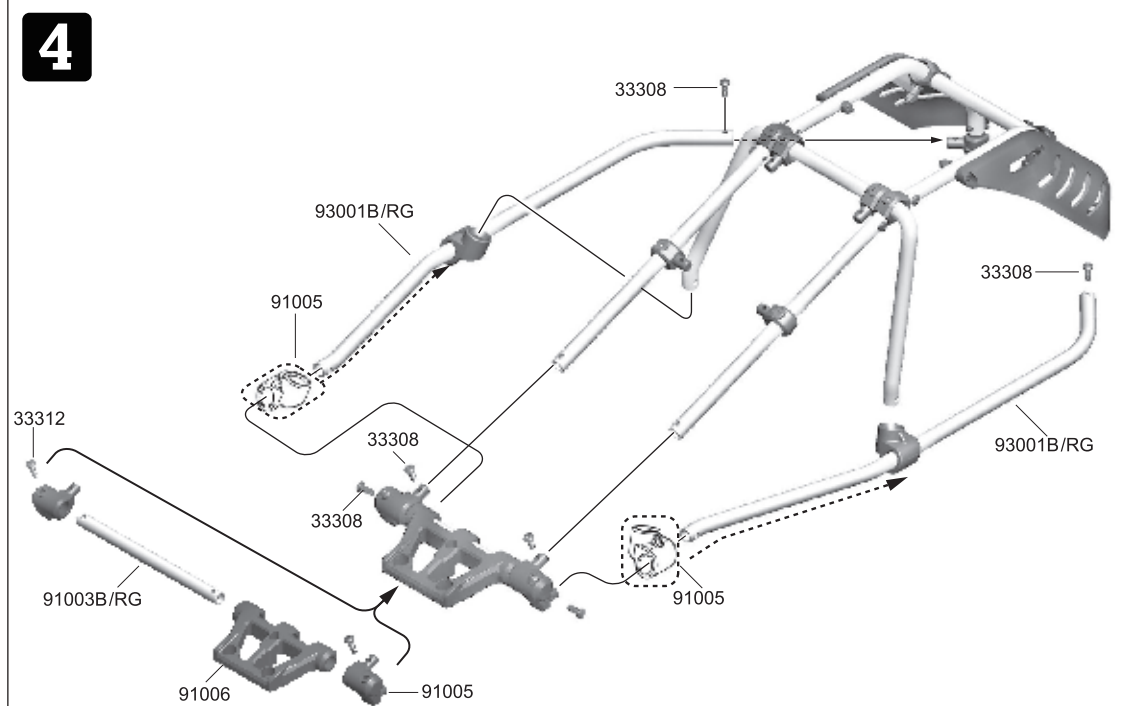
Cage Assembly 3

-  31315
3x15mm x6
F/H Screw
-  39008
M3 Nut x4
-  33308
3x8mm x4
B/H Screw
-  33318
3x18mm x2
B/H Screw






Cage Assembly 4

-  33308
3x8mm x6
B/H Screw
-  33312
3x12mm x2
B/H Screw

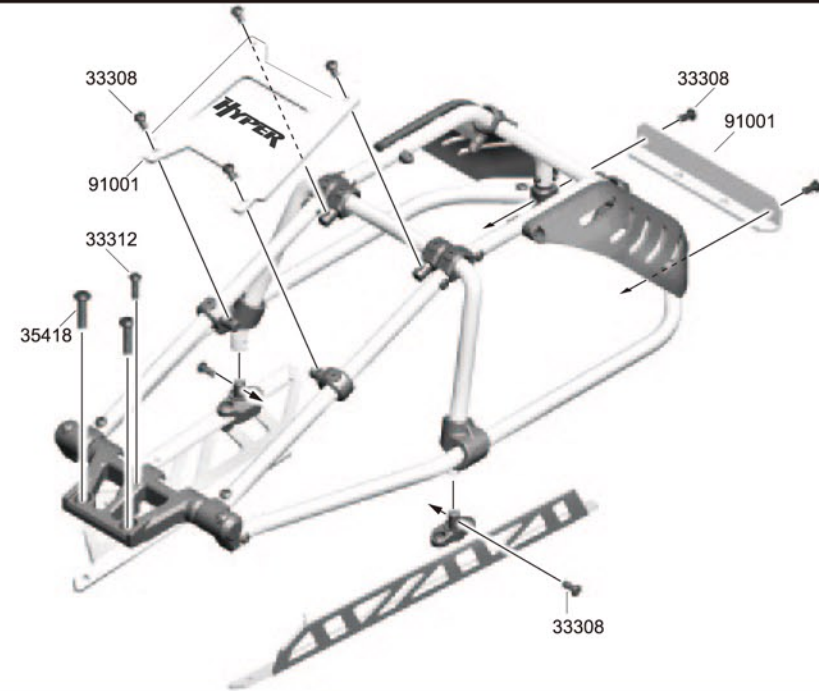


27

Cage Assembly 4

-  33308
3x8mm x8
B/H Screw
-  33312
3x12mm x1
B/H Screw
-  35418
4x18mm x2
B/H Screw

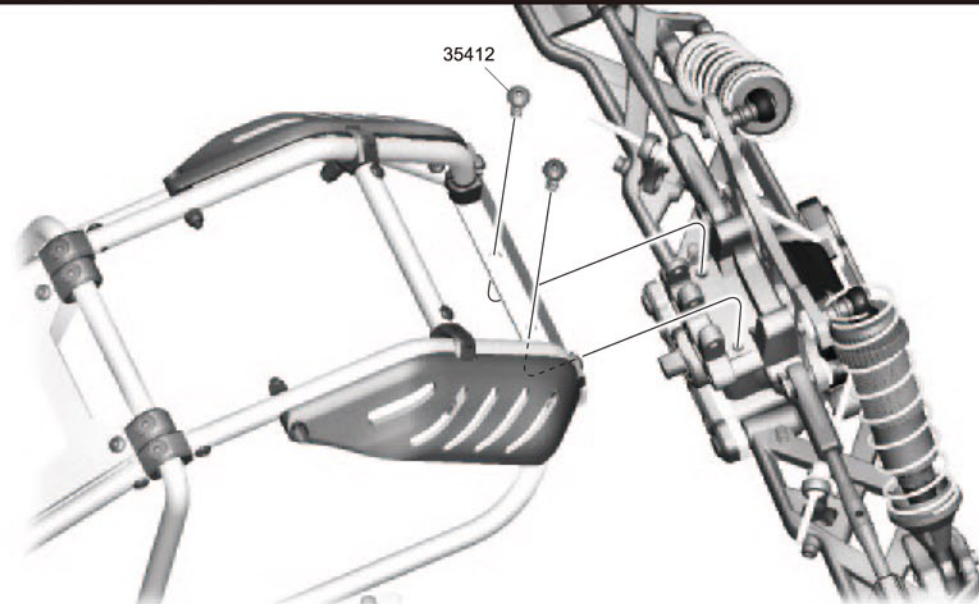
5



Cage Rear Mount Installation

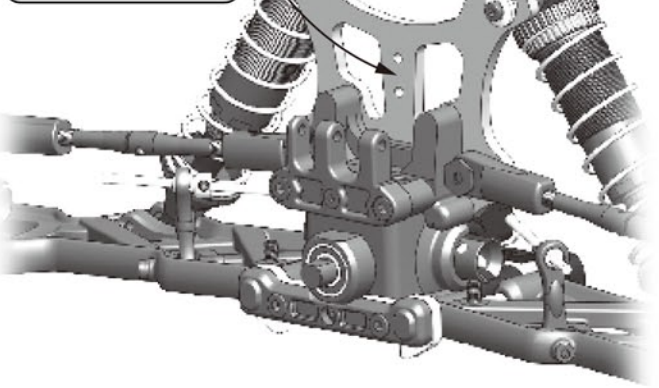
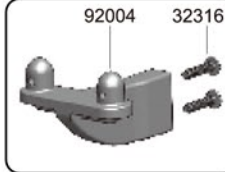
-  35412
4x12mm x2
B/H Screw

6

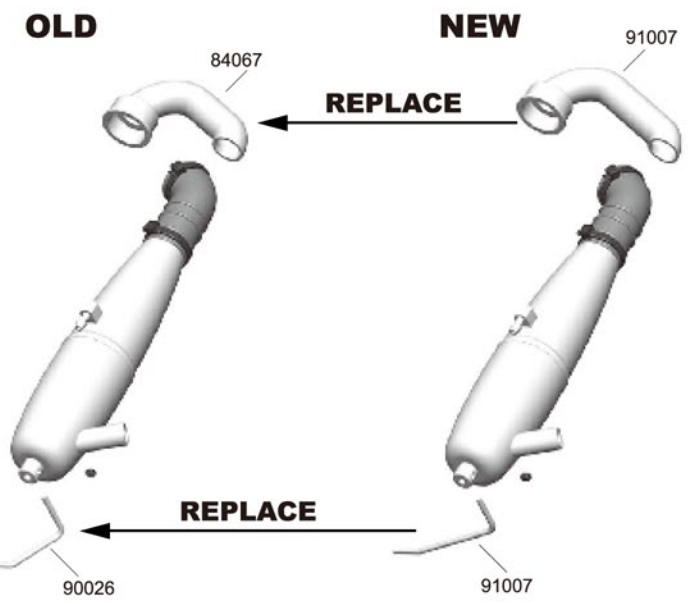


Rear Body Post Removal


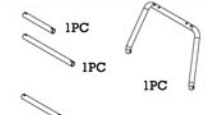
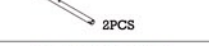





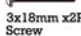
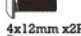
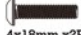
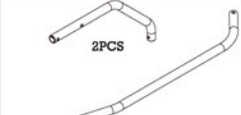

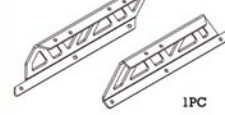








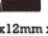











REMOVE



Manifold/Muffler Mount Replacement



HYPER SS CAGE TRUGGY PARTS LIST

| | | | | | | |
|--|---|--|--|---|--|--|
| 91001 | 91003B/RG | 91006 | 91008 | 93001B/RG | | |
|  1PC |  1PC  1PC 2PCS |  1PC |  3x8mm x20PCS Screw  3x15mm x6PCS Screw  3x12mm x11PCS Screw  3x23.8mm x2PCS Screw  3x18mm x2PCS Screw  4x12mm x2PCS Screw  4x18mm x2PCS Screw |  2PCS | | |
| 91002B/RG | 91005 | 91007 |  1PC | | | |
|  1PC |  6PCS  1PC  1PC  1PC  1PC  1PC  1PC  1PC  1PC  1PC  1PC  1PC  1PC  1PC  1PC  1PC  1PC  1PC  1PC  1PC 2PCS | | | | | |

| | | | |
|-----------|-----------------------------|-----------|-----------------------------------|
| 91001 | FRONT TOP HOOD/REAR MOUNT | 91006 | FRONT TOP PLATE/REAR SIDE FENDERS |
| 91002B/RG | CAGE SIDE GUARDS | 91007 | MANIFOLD/MUFFLER MOUNT WIRE |
| 91003B/RG | FRONT/MIDDLE CAGE TUBE | 91008 | SCREW SET |
| 91005 | CAGE TUBE CONNECTING PIVOTS | 93001B/RG | SIDE/REAR CAGE TUBE |

HYPER SS CAGE TRUGGY

