

**1:10TH SCALE READY-TO-RUN
ELECTRIC POWERED 4WD TRAIL VEHICLE**

CENTAUR



ENGLISH INSTRUCTIONS – PAGE 2
FRANÇAIS INSTRUCTIONS – PAGE 13

SET-UP INSTRUCTIONS & EXPLODED DRAWINGS AND COMPONENT LISTING



HOBBYWING®
ESC INCLUDED

www.ftx-rc.com





FTX Centaur 1/10th Scale 4WD Electric Powered Ready-To-Run Trail Vehicle

Congratulations on your purchase of the FTX 'Centaur' electric off road vehicle.

This 1/10th scale model has been factory assembled and all electrics installed and set up to make it the easiest possible introduction to the sport of driving RC cars.

WARNING: Read the ENTIRE instruction manual to become familiar with the features of the product before operating.

Failure to operate the product correctly can result in damage to the product, personal property and cause serious injury.

This is NOT a toy and must be operated with caution and common sense.

Failure to operate this product in a safe and responsible manner could result in damage, injury or damage to other property.

This product is not intended for use by children without direct adult supervision. It is essential to read and follow all the instructions and warnings in the manual, prior to assembly, set-up or use, in order to operate correctly and avoid damage or serious injury.



Safety Precautions and Warnings

- You are responsible for operating this model such that it does not endanger yourself and others, or result in damage to the product or the property of others.
- This model is controlled by a radio which is possibly subject to interference which can cause momentary loss of control so it is advisable to always keep a safe distance to avoid collisions or injury.
- Age Recommendation: 14 years or over. This is not a toy. This product is not intended for use by children without direct adult supervision.

Carefully follow these directions and warnings, plus those of any additional equipment associated with the use of this model, chargers, ESC and motors, radio etc.

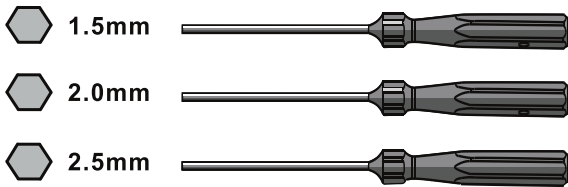
- Never operate your model with low transmitter batteries.
- Always operate your model in an open area away from cars, traffic or people.
- Never operate the model in the street or in populated areas.
- Always keep the vehicle in direct line of sight, you cannot control what you cannot see!
- Keep all chemicals, small parts and anything electrical out of the reach of children.
- Although splash-proof the car and electronics are not designed to be subjected to extended moisture exposure or submersion. To do so will result in permanent damage.
- Avoid injury from high speed rotating parts, gears and axles etc.
- Novices should seek advice from more experienced people to operate the model correctly and meet its performance potential.
- Exercise caution when using tools and sharp instruments.
- Do not put fingers or any objects inside rotating and moving parts.
- Take care when carrying out repairs or maintenance as some parts may be sharp.
- Do NOT touch equipment such as the motor, electronic speed control and battery, immediately after using your model because they can generate high temperatures.
- Always turn on your transmitter before you turn on the receiver in the car. Always turn off the receiver before turning your transmitter off.
- Keep the wheels of the model off the ground, and keep your hands away from the wheels when checking the operation of the radio equipment.
- Prolong motor life by preventing overheat conditions. Undue motor wear can result from frequent turns, rapid change of direction forwards/backwards, continuous stop/starts, pushing/pulling objects, driving in deep sand and tall grass, or driving continuously up hill.



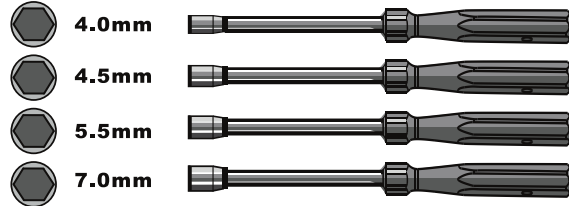


START GUIDE

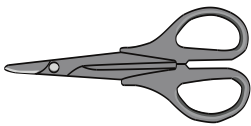
1. Please read the manual carefully and prepare the following things before use.



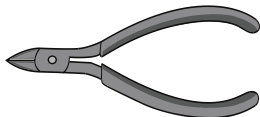
Hex. Screwdrivers



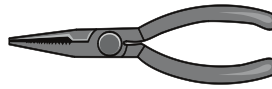
Socket Head Drivers



Lexan Scissors



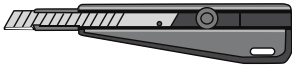
Needle Nose Pliers



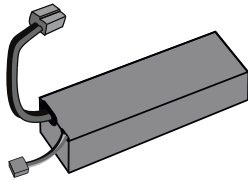
Curve Nose Pliers



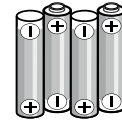
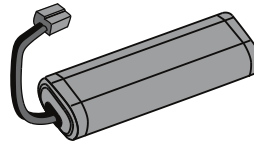
Body Reamer



Hobby Knife



2-3S Lipo Battery OR 5-9 Cells NIMH Battery
(NIMH Included)



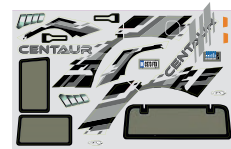
Batteries: 4x 1.5 V "AA"
(batteries not included)

2. The items inside the box.

One car



Manual



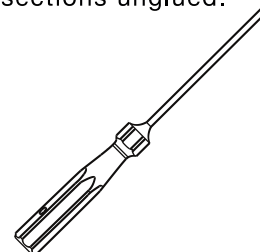
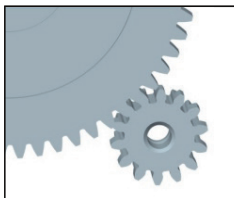
Decal Sheet



Transmitter

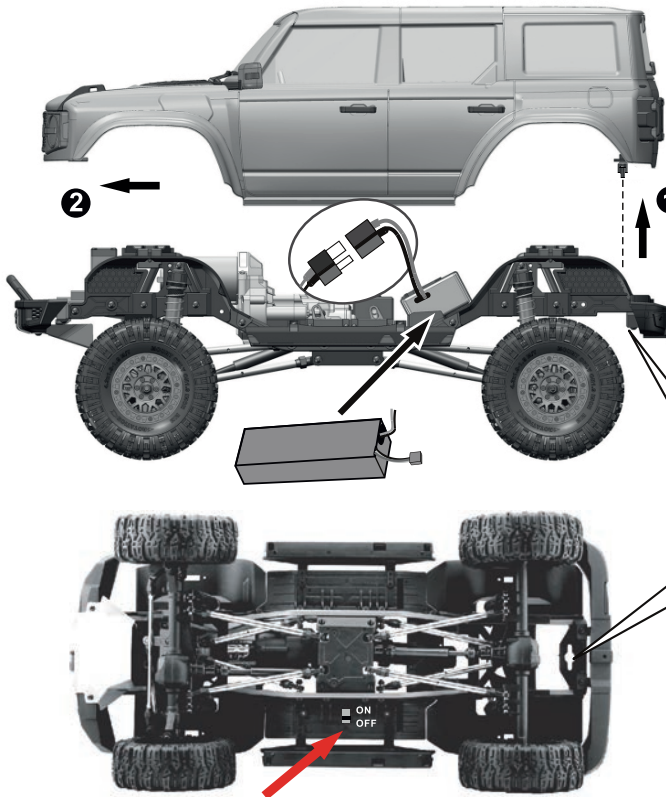
3. Please check the whole product condition when opening the package.

- 3-1. After each day of running, you should check your shocks for adequate fluid. If the fluid is low, or it is getting dirty, you should change the fluid in the shocks. To achieve better performance, you may also want to change the shock fluid and or the pistons.
- 3-2. Gear mesh is the clearance between the pinion and spur in an electric car or clutch bell and spur in a nitro car. It has impact on the vehicles performance. If the gear mesh is not set properly you may also damage the clutch bell and spur or the pinion gear and spur gear as soon as the vehicle starts running.
- 3-3. Please check if the screw is tight enough before use. Screw it tight (or apply the screw glue if necessary)
- 3-4. Regularly check and verify the tyres are intact. You should not see any sections unglued. Please apply the CA glue if needed.





4-1. Install Charged Battery In the Car.

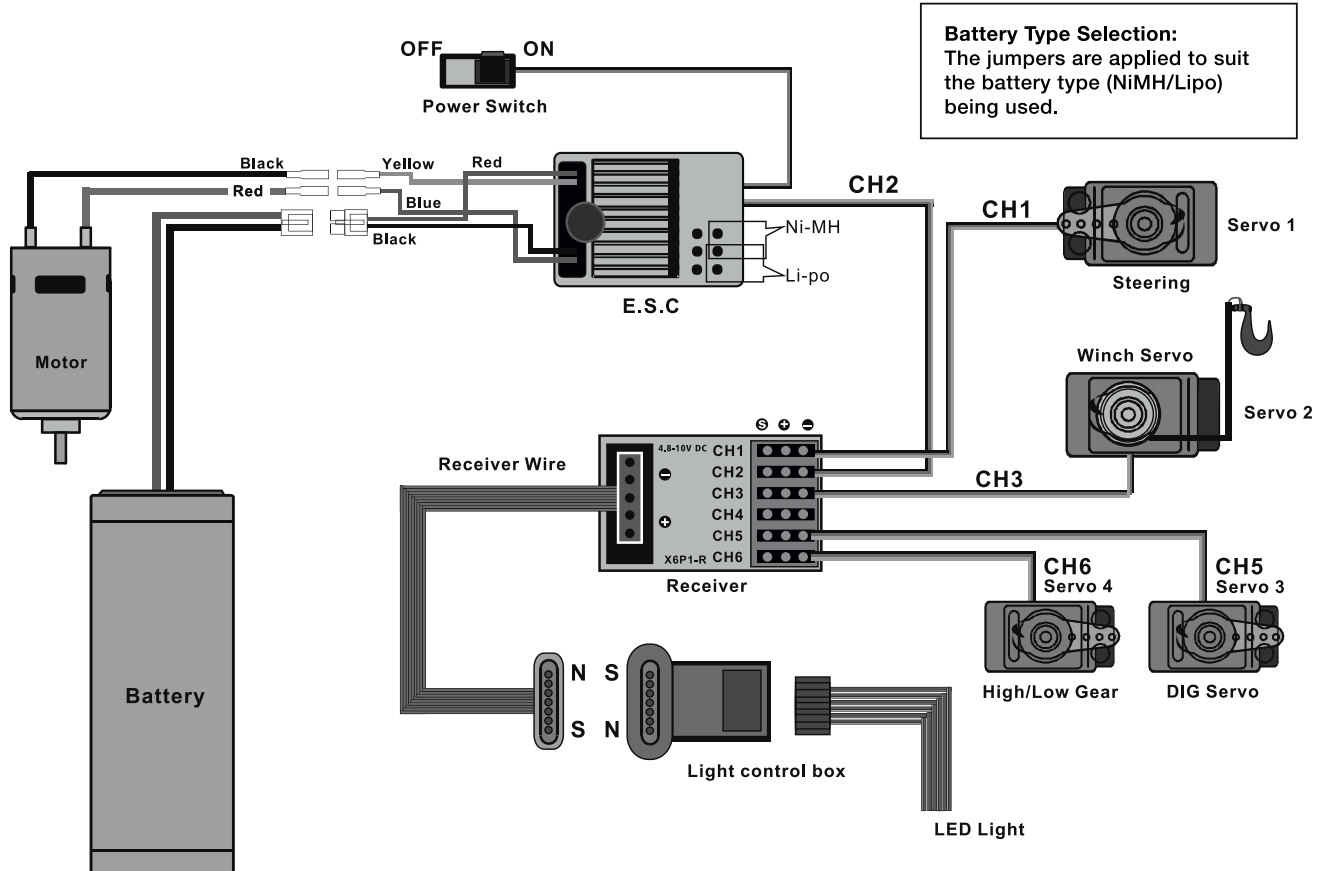


Please rotate the button as shown, remove the bodyshell (disconnect the bodyshell cable to avoid damage when removing the bodyshell), then install the prepared battery pack.

NOTE: Please check the battery plug type when installing. The required plug is a 'T-Plug'. The car will not run with an incorrect plug.

Power Switch(OFF/ON)

4-2. Wiring Set-Up Diagram





CHARGING

TABLE B: LVC PROTECTION FOR WP-1625-BRUSHED-CRAWLER, WP-1040-BRUSHED-CRAWLER&BOAT, WP-860-DUAL BRUSHED (CRAWLER OR BOAT MODE).

2S Lipo	3S Lipo	4S Lipo	5-9 cells NiMH
Output cuts off at 6.5V. If the throttle stick moves to neutral and then up again, the output can be recovered to 50%. If the voltage drops to 6.5V again, the above process repeats in circles.	Output cuts off at 9.75V. If the throttle stick moves to neutral and then up again, the output can be recovered to 50%. If the voltage drops to 9.75V again, the above process repeats in circles.	Output cuts off at 13V. If the throttle stick moves to neutral and then up again, the output can be recovered to 50%. If the voltage drops to 13V again, the above process repeats in circles.	Output cuts off at 4.5V. If the throttle stick moves to neutral and then up again, the output can be recovered to 50%. If the voltage drops to 4.5V again, the above process repeats in circles.

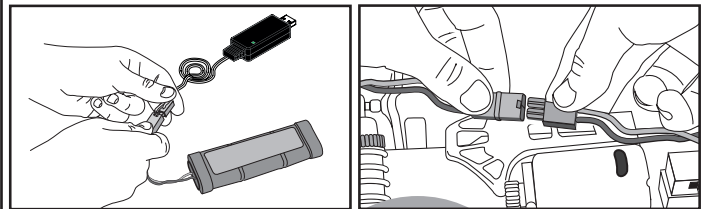
2. **Over-heat protection:** When the internal temperature of the ESC is higher than 100 °C or 212 Fahrenheit degree for 5 seconds, the ESC will reduce and cut off the output power. When the car stops, the red LED blinks to indicate the over-heat protection has been activated. If the ESC cools down to 80 Celsius degree (176 Fahrenheit degree) the output power is recovered to normal state.
3. **Throttle signal loss protection:** The ESC will cut off the output power if the throttle signal has been lost for 0.1 second. The "Fail Save" function of the radio system is strongly recommended to be activated.

THE DIFFERENCE BETWEEN "BRUSHED" AND "BRUSHED-CRAWLER & BOAT" ESC

1. "Brushed" and "Brushed-Crawler & Boat" ESCs have different backward-running modes.
"Brushed" ESC uses "Double-Click" method to make the car go backward. When you move the throttle stick from forward zone to backward zone for the first time, the ESC begins to brake the motor, the motor speeds down but still running, so the backward action is NOT happened at this moment. When the throttle stick is moved to the backward zone again (The 2nd "click"), if the motor speed is slowed down to zero (i.e. stopped), the backward action will be activated. The "Double-Click" method prevents mistakenly reverse when the brake function is frequently used in steering.
"Brushed-Crawler & Boat" ESC uses "Single-click" to make the car go backward. When you move the throttle stick from forward zone to backward zone, the car will go backward immediately. This mode is common for the Rock Crawler and tank.
2. The maximum reverse force (for backward running) is 50% for the general "Brushed" ESC, 100% for the "Crawler" mode of a "Brushed-Crawler & Boat" ESC, and 25% for the "Boat" mode of a "Brushed-Crawler & Boat" ESC.
3. The Low Voltage Cut-off Protection modes are different (Please check the instructions in the section of "PROTECTION FUNCTIONS").

CHARGING/INSTALLING THE BATTERY.

- Always store your model with the battery pack unplugged and removed.
- Always charge your battery away from the vehicle.
The included USB charger will take approximately 4 hours to charge a discharged 2000mAh battery.
- When charging the Red LED will be solid.
- When the battery is fully charged the Green LED will be solid.
- The battery will become warm to touch when charged, but not hot.
- If the battery is hot, stop charging immediately. Disconnect the battery from the charger as soon as the charger LED turns green.



NOTES ON BATTERY USE:

- Always allow the battery cool after use, before recharging.
- Always inspect the battery before charging.
- Any bare wires, split heat shrink or leakage is a sure sign of abuse.
- Never attempt to charge dead or damaged batteries.
- Do not disassemble the battery or cut the connector wires.
- If the battery connector gets hot enough to melt there is most likely a serious problem with your model, driveline, battery wires or speed controller. Find and correct the problem before installing another charged battery pack.
- NEVER charge the battery unattended incase of overcharging, you need to be able to monitor the battery during charging.
- Charge away from flammable objects and on a non-flammable surface incase the battery becomes too hot.

Lithium Polymer (LiPo) Battery Warnings

- Never charge a lithium polymer battery with a charger designed for NiCd, NiMH, or any other type of battery chemistry. Use ONLY charger designed for LiPo battery.
- Do not leave LiPo battery unattended during charging.
- Do not overcharge the battery.
- Always place the battery on a heat resistant surface alone when charging.
- Always put the LiPo battery inside a charging protection coatner while charging.
- Do not allow LiPo cells to overheat at any time. Cells which reach greater than 140 Fahrenheit (60C) will usually become damaged and will catch fire.
- Do not charge LiPo cells on or near combustibile materials including paper, plastic, carpets, vinyl, leather, and wood inside an R/C modl or full size automobile.
- Do not discharge LiPo; doing so will damage the battery.
- Do not expose LiPo cell to water or moisture at any time.
- Do not store battery near open flame or heater.
- Do not assemble LiPo cells or pre-assembled packs together with other LiPo cells or packs.
- Always store LiPo battery in a secure location away from children.
- Always remove the LiPo battery if model is involved in any kind of crash. Carefully inspect the battery and connectors for even the smallest damage. CAUTION: cells may be hot!
- Do not allow the electrolyte to get into eyes or on skin. Wash affected areas immediately if they come into contact with electrolyte. Do not alter or modify connectors or wires of a LiPo battery pack.
- Always inspect the condition of the battery before charging and operating.
- Do not short circuit the LiPo battery.
- Do not have contact with a leaky/damaged battery directly.
- Do not charge battery out of recommended temperature range (0C - 45C).



5-1. 2.4GHZ Radio System



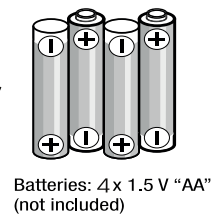
Install The Transmitter Batteries

Battery Installation:

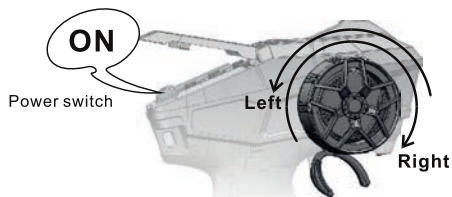
1. Open the battery compartment cover.
2. Insert 4 AA fully charged batteries or 2S Li-Po batteries in correct polarity. (No response if battery polarity reversed.)
3. Close battery compartment cover.

Binding Process:

1. Press receiver button, LED indicator fast flashing means entering into binding mode, the receiver will automatically looking for the nearest transmitter signal.
2. The indicator will always ON after successful bond.



5-2. Transmitter Steering Trim and Throttle Trim



Wheel Angle

the maximum rotation of the Steering wheel is 35 degrees From center to left or right

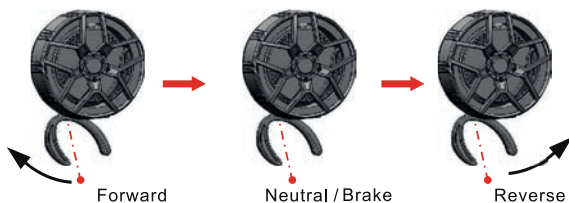


Throttle trigger,

has a total throw of 12 degrees, 12.5 degrees forward, and 12.5 degrees backward

The heavier you pull or push the trigger, the faster acceleration will be.

Note: Release the throttle trigger button, activate the brake mode automatically. (Only for Crawler)



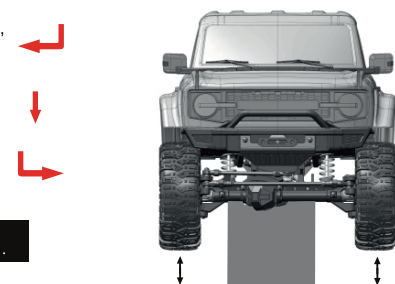
1. Move the control wheel to the left, vehicle turns left.

2. Do not move the control wheel, the front wheels are aligned and the vehicle goes straight in line.

3. Move the control wheel to the right, vehicle turns right.

Note

Place the vehicle on the stand with four wheels off ground as shown.





5-3. Transmitter Steering and Throttle Instruction



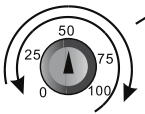
(ST.TRIM)

ST.TRIM / R :
Increase adjustment step
ST.TRIM / L :
Decrease adjustment step



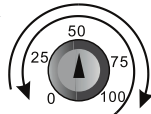
(TH.TRIM)

TH.TRIM / R:
Increase adjustment step
TH.TRIM / L:
Decrease adjustment step



(Steering D/R)

ST.D / R +: increase servo travel.
ST.D / R -: decrease servo travel.



(Throttle D/R)

TH.D / R +: increase throttle travel.
TH.D / R -: decrease throttle travel.

Note:

- Please trim the Throttle Trim (TH. Trim) until the vehicle stops in case the vehicle goes forwards or backwards itself just after it is turned on.
- If the front wheels are not aligned, please trim "steering trim" (ST.TRIM) until they are aligned.
- The ST.TRIM is the trims for Ch1 (steering), You can trim the Steering Trim until it fulfills your desired steering angles.
- ST.D / R is for servo travel adjustment, which can be multiplexed as CH2 (throttle).



CH1

ST.REV

- Steering Trim (ST. Rev) is used to reverse the direction of servo movement.
- The ST.REV switches are the reverse buttons for Ch1. If the switch is up it indicates reverse, and the down indicates normal.



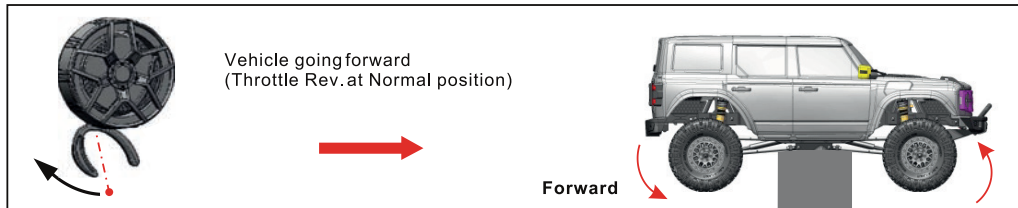
- Vehicle turning left when the control wheel is turned to the left (Steering Rev. At Normal position)
- Vehicle turning right when the control wheel is turned to the right (Steering Rev. at Reverse position)



CH2

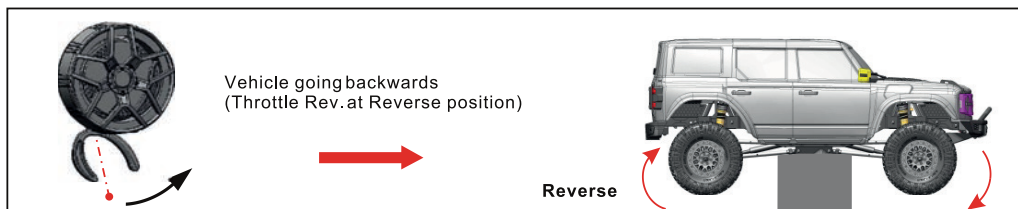
Channel Reverse TH.REV

- The Throttle Rev. is used to reverse the direction of motor rotation.
- The TH.REV switches are the reverse buttons for CH2. If the switch is up it indicates reverse, and the down indicates normal.



Vehicle going forward
(Throttle Rev. at Normal position)

Forward



Vehicle going backwards
(Throttle Rev. at Reverse position)

Reverse



5-4 Servo Winch Hook Function

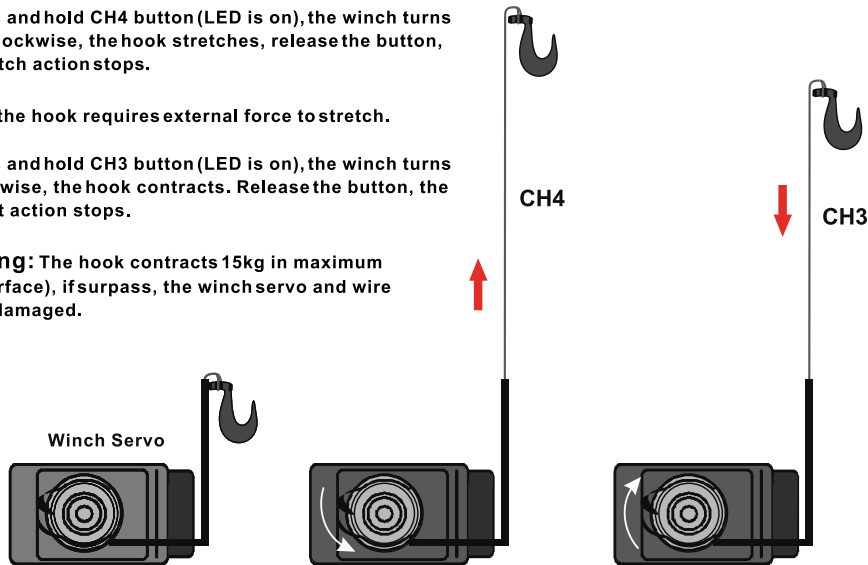


1. Press and hold CH4 button (LED is on), the winch turns in anticlockwise, the hook stretches, release the button, the stretch action stops.

Note: the hook requires external force to stretch.

2. Press and hold CH3 button (LED is on), the winch turns in clockwise, the hook contracts. Release the button, the contract action stops.

Warning: The hook contracts 15kg in maximum (flat surface), if surpass, the winch servo and wire will be damaged.



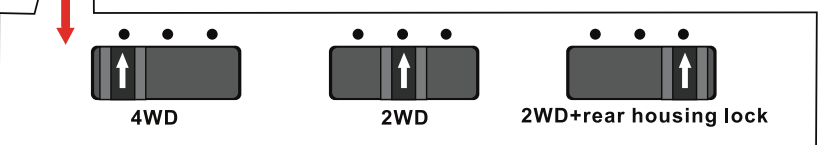
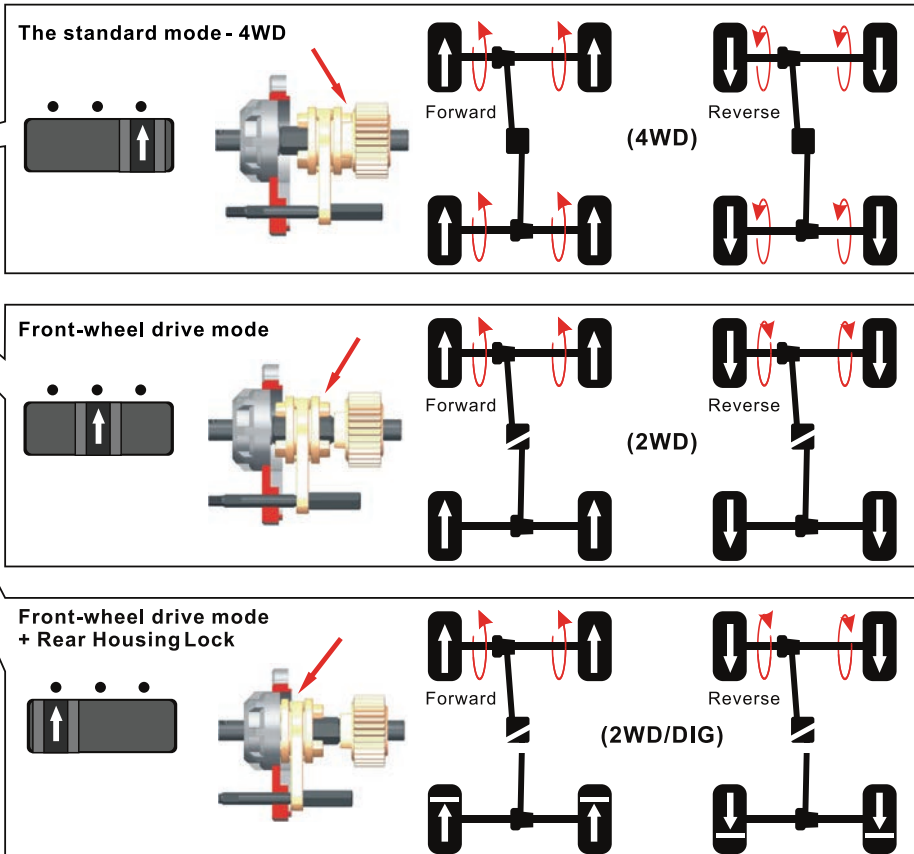
5-5 DIG Function instruction



CH5

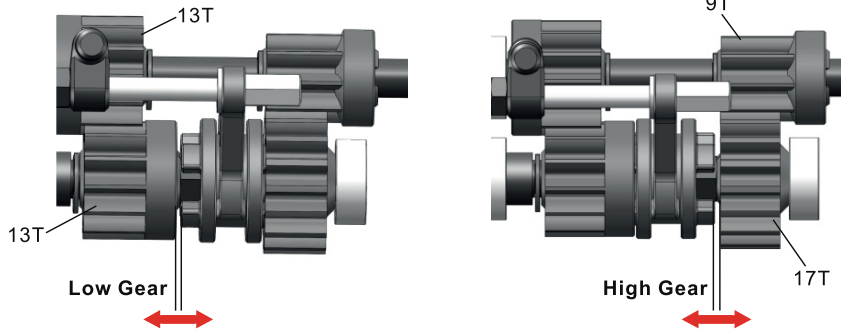


Reverse Switch





5-6. Shifting the High-Low Transmission

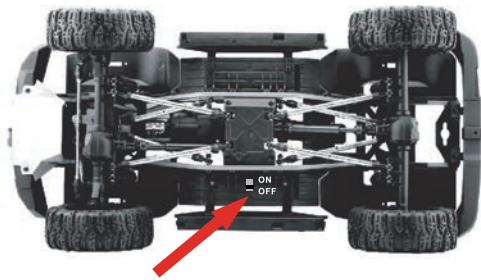


- Press CH6 button, the button light is on, switch to high-speed gear
- Press CH6 button again, the button light is off, switch to low-speed gear



Please stop or slow down the vehicle when shifting gear, from low-speed to high-speed or from high-speed to low-speed, in order to make the shift operation more smoother and protect the gear.

5-7. Light Control Usage



Power Switch(OFF/ON)

Mode I : Power on the switch, rear park lights are on, right and left cornering lights and back-up light are normal.

Cornering Light



Daytime Running Light (DRL)

Head Light



(5-7A)

Mode II : As shown in image(5-7A), press the button, the front headlights are on; press the button again, the front headlights are flashing; press the button once again, the front headlights are off.



Park Light

Backup Light

Cornering Light



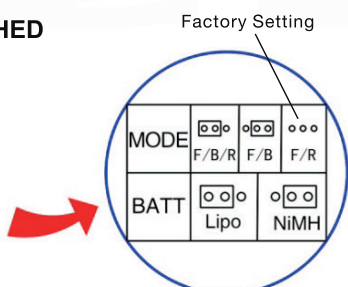
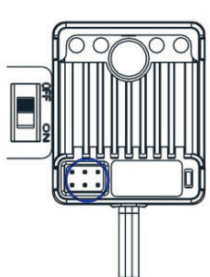
(5-7B)

Mode III : As shown in image(5-7B), press the button, DRLs are on; press the button again, DRLs are flashing; press the button once again, DRLs are off.



7. User Manual of Water-Proof Brushed Speed Controller

WP-1060-BRUSHED



F/B/R : Forward, brake and reverse
 F/B : Forward with brake
 F/R : Forward and reverse (Crawler mode)

FEATURES

- *. Water-proof and dust-proof for all weather races.
- *. Small size with built-in capacitor module.
- *. Automatic throttle range calibration, easy to use.
- *. Multiple protections: Low voltage cut-off protection for Lipo or NiMH battery / Over-heat protection / Throttle signal loss protection.
- *. Easily programmed with the jumpers.

Model	WP-1060-BRUSHED	
Cont. / Burst Current	Forward: 60A / 360A Backward: 30A / 180A	
Input	2-3S Lipo, 5-9 Cells NiMH	
Cars Applicable	1:10 on-road, off-road 1:10 Crawler, Tank & Boat	
Motor Limit	2S Lipo or 5-6 cells NiMH	540 or 550 size motor ≥ 8T or RPM <45000 @7.2V
	3S Lipo or 7-9 cells NiMH	540 or 550 size motor ≥ 13T or RPM <30000 @7.2V
Resistance	Fwd: 0.0008Ohm, Bwd : 0.0016Ohm	
Built-in BEC	3A/6V (Switch mode BEC)	
Dimension & Weight	36*30*18, 40g	



Attention: The incorrect polarity will damage the ESC immediately. If the motor runs in the opposite direction, please swap these two wire connections.

[PROTECTION FUNCTIONS]

1. Low voltage Cut-off (LVC) protection: If the voltage of battery pack is lower than the threshold for 2 seconds, the ESC will enter the protection mode.
When the car stops, the red LED blinks to indicate the low voltage cut-off protection has been activated.

Table A: LVC protection for WP-1060-BRUSHED, (F/B/R or F/B mode).

2S Lipo	3S Lipo	4S Lipo	5-9 cells NiMH
Output reduces 50% at 6.5V Output cuts off at 6.0V, cannot be recovered	Output reduces 50% at 9.75V Output cuts off at 9.0V, cannot be recovered	Output reduces 50% at 13V Output cuts off at 12V, cannot be recovered	Output reduces 50% at 4.5V Output cuts off at 4.0V, cannot be recovered

2. Over-heat protection: When the internal temperature of the ESC is higher than 100 Celsius degree or 212 Fahrenheit degree for 5 seconds, the ESC will reduce and cut off the output power.
When the car stops, the red LED blinks to indicate the over-heat protection has been activated. If the ESC cools down to 80 Celsius degree (176 Fahrenheit degree) the output power is recovered to normal state.
3. Throttle signal loss protection: The ESC will cut off the output power if the throttle signal has been lost for 0.1 second.
The Fail Save function of the radio system is strongly recommended to be activated.

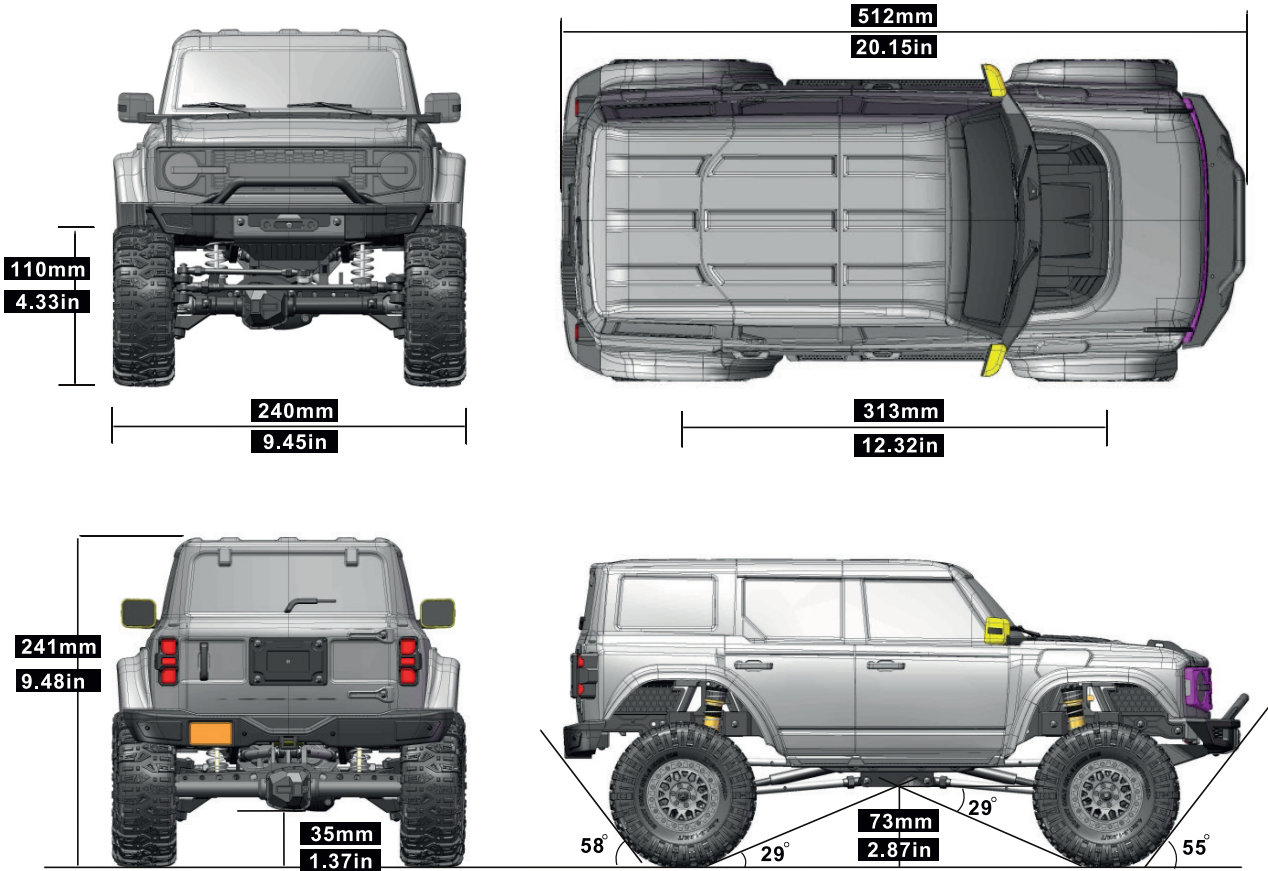
[TROUBLE SHOOTING]

Trouble	Possible Reason	Solution
After power on, motor cant work, no sound is emitted, and LED is off.	The ESC doesnt get its working voltage; Connections between battery pack and ESC are broken.	Check the battery wires connection or replace the defective connectors.
	Switch is damaged.	Replace the switch.
After power on, motor cant work ; red LED blinks.	Throttle signal is abnormal.	Check the throttle wire connection; make sure it is plugged into the throttle channel of the receiver.
	Automatic throttle range calibration is failed.	Set the TRIM of throttle channel to 0 or turn the knob to its neutral position.
The car runs backward while giving throttle. (The motor runs in the opposite direction)	The wire connections between ESC and the motor need to be changed.	Swap two wire connections between the ESC and the motor.
The car cant go backward.	The jumper position is wrong.	Check the jumper and plug it to the correct position.
	The neutral point of throttle channel is changed or drifted.	Set the TRIM of throttle channel to 0 or turn the knob to its neutral position.
The car cant go forward, but can go backward.	The direction of throttle channel is not correct.	Reset the direction of throttle channel from original NOR to REV or from original REV to NOR.

Please review the ESC manual for more details.



7. FTX5475 Centaur Specifications



Item No	FTX5475	Wheel	110*40mm	Gear Ratio/Low	53:1 (F), 57:1 (R)
Item Name	CENTAUR	Clearance	73mm (chassis) 35mm (steel)	Gear Ratio/High	28:1 (F), 30:1 (R)
Scale	1/10	Weight	3.03kg(No battery)	Steering Servo	25KG
Description	Crawler/Off-Road	Radio/Rx	2.4G/6CH(X8E-150)	Winch Servo	360 / 25KG
Drive Mode	Front-Wheel Drive +4WD	R/C Distance	<120m>100m	Function Servo	4.8~7.4V/9G
Length	512mm	Battery Recommendations	2S or 3S Lipo, 5-9 Cells NIMH Battery	Body Type	PC Soft
Width	240mm	Battery Size	<142*48*55mm(L*W*H)	Body Color	Green / Red / Blue
Height	241mm	Motor	RC550/6235	Gift Box Size	575*275*282(H)mm
Wheel Base	313mm	ESC	WP-1060 / 60A	Piece per Carton	1P

8. Once you have followed these steps, your car is ready to run. Enjoy!

Tip: Always turn off the receiver and then the transmitter when not in use. Clean the car before storage.

Vehicle Maintenance:

- 1). Please remove the battery pack plug or take it out, when the car is out of use.
- 2). Before each use, please redo the above steps and check all the parts condition if over wear.
- 3). Protect the battery by over discharge by storing with at least 40% charge. Keep in a cool, dry place and away from children.
- 4). After each use, please carefully check all the parts condition, and repair or replace the worn part. Use a fine brush to sweep the sand, marl and other dirt inside the model, then wipe it cleanly by a soft cloth.



11. Troubleshooting

Problem	Possible Cause	Solution
Car does not respond during operation	Electronic plugs loose or fall off	Switch off and reconnect
	Vehicle battery not charged, activating the ESC low voltage cut-off to protect the battery	Replace/recharge the vehicle battery
	Motor or ESC dirty or damaged	replace new Motor (recommend to purchase factory Motor)
	ESC failed	replace new ESC (recommend to purchase factory ESC)
	ESC power off due to overheated Motor	Stop operation and cool the ESC or Motor
	Motor overheated, demagnetized or damaged	replace new Motor (recommend to purchase factory Motor)
	Transmitter batteries low or beyond the remote control distance	Replace the transmitter batteries, adjust the remote control distance
	Transmitter damaged	Replace or contact seller
No backwards or forwards motion	ESC "operation mode" setting error	Refer to manual "ESC", set "operation mode" into "forward and backward reverse with brake"
	ESC damaged	Replace or contact seller
	Throttle damaged or transmitter throttle not centered	Refer to manual "Transmitter", and reset
Car operates automatically, with no control	Throttle trim out of center on transmitter	Refer to manual "Transmitter", and reset
	Neutral throttle is in incorrect position	Adjust ESC in neutral point
Normal operation, speed shift failure	Error Operation	Ensure to operate in stop status, more refer to the Manual
	Gear cable damaged or loose	Replace the accessory or re-adjust
	Servo wire inserts in wrong Receiver slot	Refer to the manual, Readjust
Sluggish Action	Battery damaged / not charged	Check, change or recharge
	Throttle trim out of center on transmitter	Adjust (refer to manual "transmitter")
	Motor dirty/ damaged	Clean/ replace
	Drivetrain dirty / damaged	Check and clean
Light Function Failure after Battery properly installed	Light Plug is not connected or in wrong position	Check the plug connection
	Transmitter Set Error or Light Control Panel Damage	Reset the Transmitter. Otherwise, please check whether the light control panel is damaged or not.
	Light Cable in wrong installation and connection	Readjust the installation and Connection
Lack of steering and throttle	ESC has powered off due to overheating	Stop operation, cool the ESC
	Transmitter too close to other electromagnetic items	Check and rebind transmitter and receiver, refer to manual
Vehicle moves left / right without steering input	Steering accessories damaged	Check and replace
	Wheel loose	Check and replace
	Drivetrain dirty / damaged	Check and replace
Controls Reversed	ST. REV or TH. REV	Change switch position, refer to manual
	Check the wires between ESC and Motor correct or not	Switch the motor black and red wire
Clicking noise in operation	Check the bodyshell is not damaged or making contact with tyres.	Retrim or replace
	Loose or tight gear mesh between pinion and spur gear	Reset gear mesh
	Gear damaged or debris in teeth	Remove gear cover and inspect. If necessary, replace gear
Only steering, no forward and backward	ESC failed or abnormal	Reset the neutral point or replace
	Transmitter failed or abnormal	Replace or contact seller



Le FTX Centaur 4x4, une voiture de trail à l'échelle 1/10 prête à rouler

Merci d'avoir choisi le FTX Centaur 4x4 électrique. Ce modèle est monté d'usine, l'électronique est pré installée et réglée pour permettre un démarrage et du plaisir le plus rapidement possible.

Attention: lisez l'intégralité du manuel pour exploiter au mieux la voiture et éviter des dommages mécaniques ou corporels.

Ce modèle n'est pas un jouet, il doit être manipulé avec précaution.

Utilisé dans de mauvaises conditions, ce modèle peut causer des dommages.

Ce modèle n'est pas fait pour être utilisé par un enfant sans la surveillance directe d'un adulte.

Il est essentiel de lire et de suivre les instructions et les recommandations de ce manuel pour entretenir et faire évoluer votre modèle dans de bonnes conditions.



Mesures de sécurité:

- Vous êtes responsable lors de l'évolution de ce modèle, veillez à ne pas vous mettre en danger, à mettre en danger le modèle ou la propriété d'autrui.
- Ce modèle radiocommandé peut être perturbé par d'autres sources d'onde radio, ce qui peut entraîner la perte momentanée du contrôle de la voiture.
- Age recommandé : 14 ans, ceci n'est pas un jouet, ce produit n'est pas fait pour être utilisé par un enfant sans surveillance.

Suivez consciencieusement les instructions suivantes :

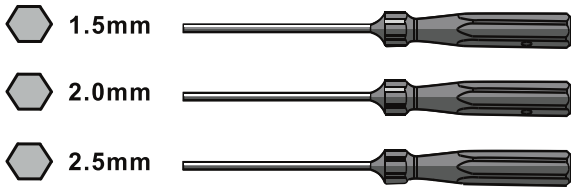
- Ne jamais évoluer avec des batteries d'émission faibles
- Toujours évoluer dans une zone dégagée, loin de la circulation et de la foule
- Ne jamais évoluer dans une rue ou un endroit fréquenté
- Toujours garder le modèle dans son champ de vision
- Gardez hors de portée des enfants tous les composants de petite taille, électriques ou chimiques
- Tenez le modèle hors de portée de l'eau (la rouille peut causer des dommages irréversibles au modèle)
- Faites attention aux pièces en rotations, axes, pignons etc.
- Les débutants doivent prendre conseil auprès de personnes plus expérimentées
- Faites attention lors de l'utilisation des outils
- Attention à ne pas mettre les doigts ou d'autres parties du corps en contact avec les pièces en rotation
- Faites attention lors du transport, de la maintenance ou de la réparation, certaines pièces peuvent être coupantes.
- NE JAMAIS toucher les composants tels que le moteur, le variateur ou les batteries après utilisation, ces pièces peuvent être chaudes
- Lorsque vous changez de fréquence d'émission assurez-vous que les quartz de fréquence sont bien positionnés (RX pour récepteur et TX pour l'émetteur)
- Toujours éteindre en premier la voiture avant l'émetteur
- Vérifiez le bon fonctionnement de la voiture les roues dans le vide (en prenant les précautions nécessaires)
- Prolongez la durée de vie du moteur en le préservant de la surchauffe (la durée de vie du moteur dépend aussi de la fréquence de roulage, des changements rapide de direction avant/arrière, des conditions de roulage difficiles poussière/boue des utilisations abusives tirer/pousser des objets)



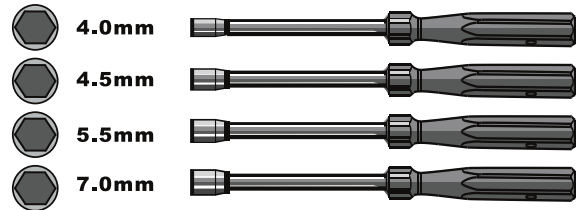


START GUIDE

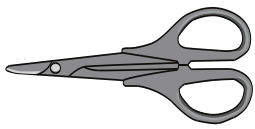
1. Equipement nécessaire pour le montage et l'entretien (non inclus dans le kit)



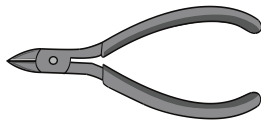
Tournevis à empreinte hexagonale



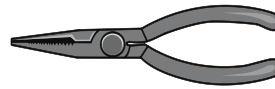
Tournevis à embout hexagonale



Ciseau pour carrosseries lexan



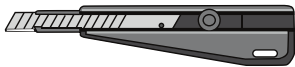
Pince coupante



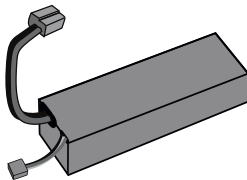
Pince pliante



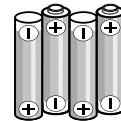
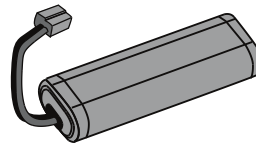
Outils de découpe circulaire pour carrosseries



Cutter



Batterie LiPo
(Batterie NiMH inclus)



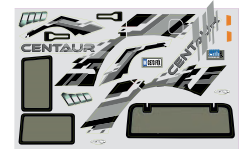
Batterie NiMH
(piles non incluses)

2. Liste des pièces comprises dans la boîte

Une voiture



Notice



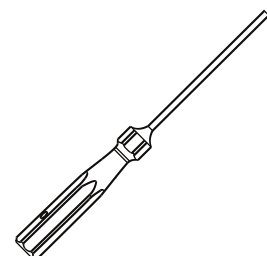
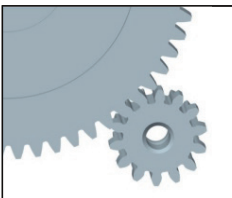
Autocollants



Télécommande

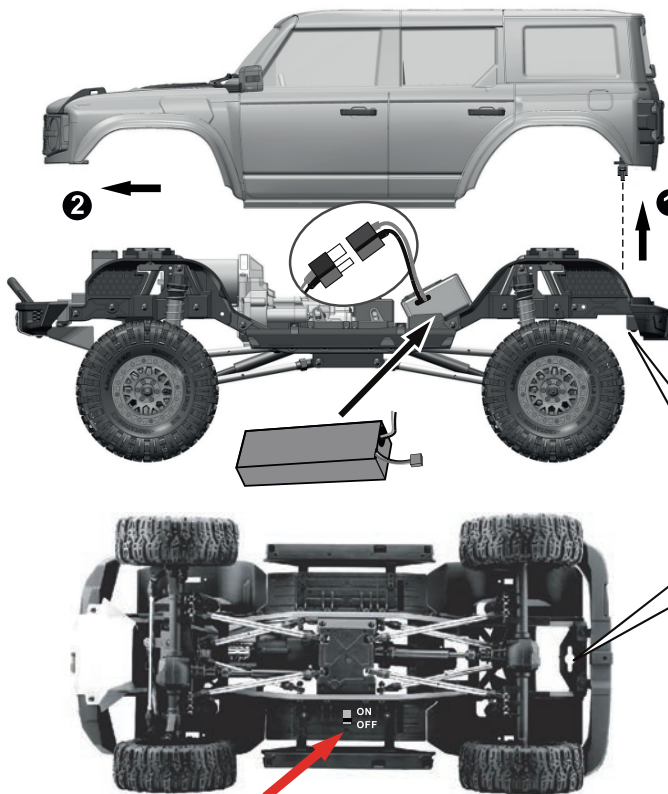
3. Vérification de l'état de la voiture à l'ouverture de la boîte

- 3-1. Après chaque journée de roulage, vous devriez vérifier si l'état et le niveau de l'huile de amortisseurs. Si le niveau est bas ou que l'huile est sale, vous devriez vidanger puis remettre de l'huile. Pour améliorer le comportement, vous pourriez aussi modifier la viscosité de l'huile ainsi que les pistons.
- 3-2. L'entre-dent correspond à la distance entre le pignon moteur et la couronne de transmission. Assurez-vous que l'entre-dent soit correctement réglée : il faut qu'il y ait un très léger jeu entre les dents. S'il y en a trop, ou pas assez, vous allez abimer votre pignon moteur et/ou votre couronne.
- 3-3. Vérifier le serrage des vis. Si des vis se desserrent régulièrement, mettez du frein à filet dessus.
- 3-4. Vérifier régulièrement que les pneus soient correctement montés et collés sur les jantes. Dès qu'un flanc commence à se détacher, recolliez-le.





4-1. Installer des batteries chargées dans la voiture

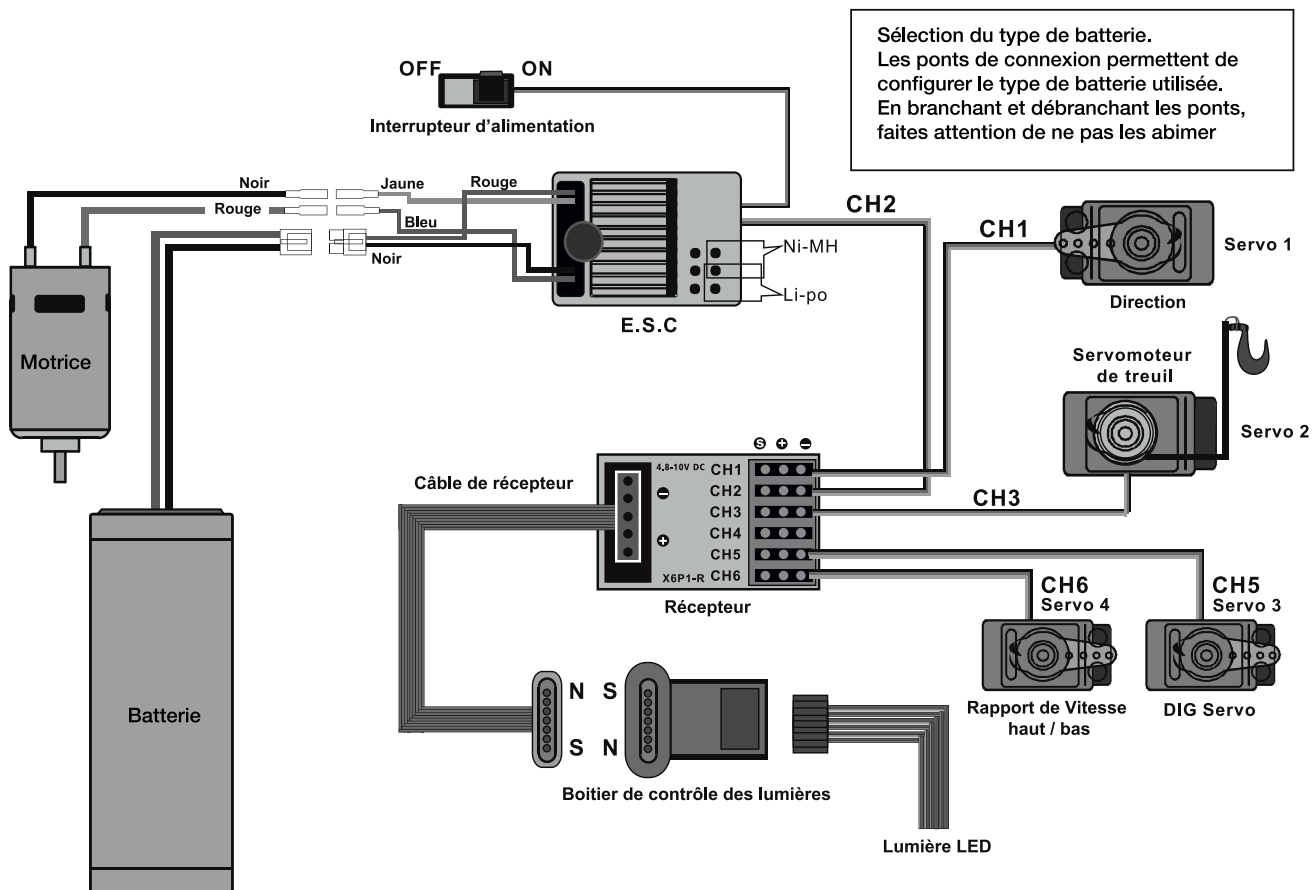


Tournez le bouton comme indiqué, retirez la carrosserie (débranchez le câble de la carrosserie pour éviter tout dommage lors du retrait de la carrosserie), puis installez le bloc batterie préparé.

REMARQUE : Veuillez vérifier le type de fiche de la batterie lors de l'installation. La prise requise est une 'T-Plug'. La voiture ne fonctionnera pas avec une prise incorrecte.

Interrupteur d'alimentation (marche/arrêt)

4-2. Schéma de branchement





CHARGE

Table B : Protection faible tension pour les WP – 1625 – Brushed-Crawler, WP – 1040 – Brushed-Crawler & Bateau et WP – 860 – Dual Brushed (Crawler et Bateau).

Lipo 2S	Lipo 3S	Lipo 4S	NiMh 5 – 9 éléments
L'alimentation se coupe à partir de 6.5V. Si vous mettez la gâchette des gaz au neutre puis que vous accélérez de nouveau, vous retrouvez une puissance réduite de 50%. Et ainsi de suite en boucle.	L'alimentation se coupe à partir de 9.75V. Si vous mettez la gâchette des gaz au neutre puis que vous accélérez de nouveau, vous retrouvez une puissance réduite de 50%. Et ainsi de suite en boucle.	L'alimentation se coupe à partir de 13V. Si vous mettez la gâchette des gaz au neutre puis que vous accélérez de nouveau, vous retrouvez une puissance réduite de 50%. Et ainsi de suite en boucle.	L'alimentation se coupe à partir de 4.5V. Si vous mettez la gâchette des gaz au neutre puis que vous accélérez de nouveau, vous retrouvez une puissance réduite de 50%. Et ainsi de suite en boucle.

2. Protection de surchauffe : Lorsque la température interne de l'ESC est supérieure à 100°C (212°F) pendant plus de 5 secondes, l'ESC réduit et coupe la puissance. Lorsque la voiture s'arrête, la LED rouge clignote afin d'indiquer que la protection thermique a été activée. Si l'ESC redescend en dessous de 80°C (176°F) la puissance est de nouveau fournie et l'ESC reprend son cycle normal.
3. Protection contre la perte de signal : Lorsque le signal de contrôle des gaz est perdu pendant plus de 0.1 secondes, l'ESC coupe l'alimentation. Nous vous recommandons fortement d'utiliser la fonction FailSafe de la télécommande.

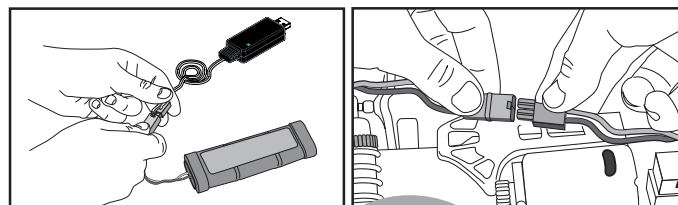
Différence entre les ESC « Brushed » et « Brushed - Crawler - Bateau »

1. Les ESC « Brushed » et « Brushed – Crawler – Bateau » possèdent un mode de marche arrière différent. Les ESC « Brushed » utilisent la méthode « double click » pour reculer : Lorsque vous bougez la gâchette des gaz de la zone de marche avant vers la zone de marche arrière la 1ere fois, l'ESC va alors commencer à freiner le moteur mais la marche arrière n'est pas enclenchée. Afin de l'enclencher vous devez revenir une 2eme fois dans la zone de marche arrière (le 2eme click) lorsque le moteur est à l'arrêt. Cette méthode de « double click » permet d'éviter d'enclencher la marche arrière par mégarde. Les ESC « Brushed – Crawler – Bateau » utilisent la méthode « click unique » pour reculer : Dès que vous mettez la gâchette de gaz dans la zone de marche arrière, la voiture va commencer à reculer. Ce mode est généralement utilisé en Crawler ou en Tank. "Brushed-Crawler & Boat" ESC uses "Single-click" to make the car go backward. When you move the throttle stick from forward zone to backward zone, the car will go backward immediately. This mode is common for the Rock Crawler and tank.

2. La puissance maximale en marche arrière est réduite de 50% pour les ESC « Brushed » alors qu'elle est à 100% pour le mode Crawler de l'ESC « Brushed – Crawler – Bateau » et à 25% pour le mode Bateau de l'ESC « Brushed – Crawler – Bateau »
3. La protection de faible tension est différente entre les deux ESC. (Référez vous aux tables de protection de tension).

CHARGER / MONTER LA BATTERIE:

- Stockez toujours votre voiture avec la batterie débranchée et enlevée
- Chargez toujours votre batterie en dehors de la voiture. Le chargeur USB inclus met environ 4h pour charger la batterie 2000mAh lorsqu'elle est déchargée
- Pendant la charge la LED rouge reste allumée
- Lorsque la batterie est chargée, le LED verte restent allumées.
- La batterie peut légèrement chauffer pendant la charge, mais elle ne doit pas être chaude.
- Si la batterie est chaude, arrêtez immédiatement la charge. Débranchez alors la batterie du chargeur dès que la LED du chargeur devient vert.



Note sur l'utilisation de la batterie:

- Laissez toujours la batterie refroidir après son utilisation avant de la recharger.
- Inspectez toujours la batterie avant de la charger
- Tout fil dénudé, connecteur coupé ou fuite montre une mauvaise utilisation de la batterie
- N'essayez jamais de charger une batterie endommagée ou morte
- Ne démontez pas la batterie et/ou ne coupez pas les câbles
- Si la connectique de la batterie devient tellement chaude qu'elle fond, cela indique qu'il y a un problème important avec votre voiture, la transmission, les câbles de la batterie ou le contrôleur de vitesse. Trouvez alors l'origine du problème et corrigez-le avant de monter une autre batterie
- Ne chargez jamais la batterie sans la surveiller en cas de surcharge, vous devez pouvoir monitorer la charge à tout moment
- Chargez la batterie éloignée de tout matériaux inflammables sur une surface non inflammable dans le cas où la batterie deviendrait trop chaude.

Batterie LiPo – Sécurité des utilisateurs et notice d'utilisation

- Lisez toutes les mesures de sécurité avant de charger ou d'utiliser les batteries pour la première fois
- Les batteries LiPo nécessitent un chargeur complètement différent des batteries NiCd et NiMh
- Une mauvaise utilisation peut entraîner un incendie, des blessures et/ou des dégâts matériel important. L'acheteur assume entièrement la responsabilité et les risques associés avec l'utilisation d'une batterie Lithium Polymer (LiPo).
- Renvoyer immédiatement la batterie, non utilisée, si vous n'acceptez pas les termes.

GUIDE D'UTILISATION GÉNÉRAL ET DANGERS :

1. Utiliser uniquement un chargeur dédié aux batteries Lithium Polymer (LiPo) ! N'utilisez pas un chargeur NiCd ou NiMh
2. Ne chargez jamais la batterie sans la surveiller. Chargez là toujours grâce à un sac sécurisé ou une boîte en métal dédiée et éloigné de tous matériaux inflammables
3. Pendant la procédure de charge vérifiez que la batterie ne gonfle pas. Si c'est le cas, débrancher immédiatement le chargeur et mettre la batterie sur une surface résistante au feu pendant au moins 15 minutes. N'essayez pas de la charger de nouveau
4. Un court-circuit peut provoquer une décharge rapide avec un intensité élevée. Eviter tout court-circuit et faites attention de ne pas en produire un notamment avec vos bijoux
5. Toute batterie LiPo qui a été choqué et subit de forte contrainte doit être mise à l'écart sur une surface résistante au feu pendant au moins 15min avant que vous ne vous en serviez de nouveau.
6. Si vous refaites le câblage de la batterie, faite un pôle puis l'autre de manière séparée. Ne coupez pas les 2 câbles en

même temps. Ne faites pas de court-circuit avec les outils que vous utilisez

7. N'exposez pas la batterie à la lumière directe du soleil pendant de longue période
8. N'essayez pas d'ouvrir les LiPo qui sont coquées. Les coques de protection protègent les batteries contre les possibles gonflements

AVANT LA CHARGE :

Vérifiez la batterie en regardant que le connecteur ou les câbles ne soient pas abimés. Que la coque de protection ou l'extérieur de la batterie soit fissuré, gonflé ou qu'elle présente un autre défaut. Ne chargez pas la batterie si elle est abimée.

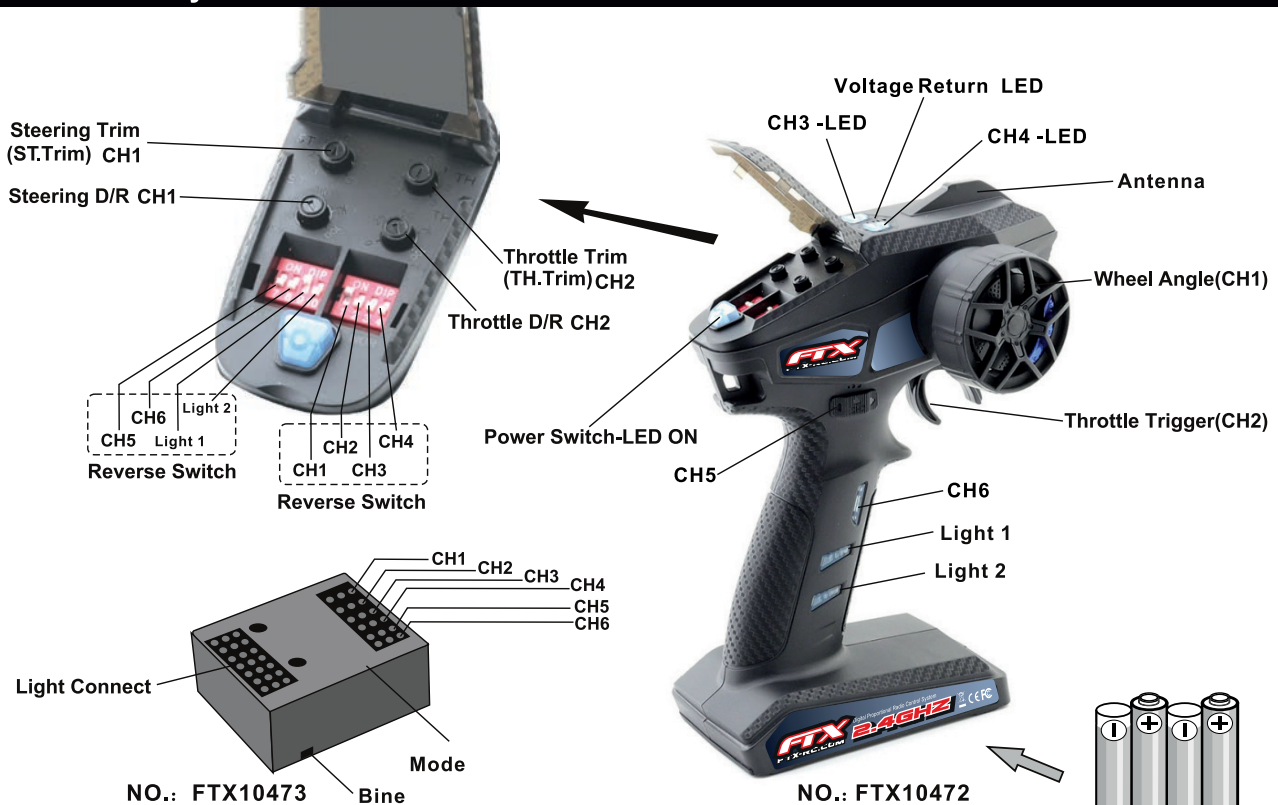
PROCÉDURE DE CHARGE :

1. Ne chargez jamais la batterie sans la surveiller
2. Chargez la batterie loin de tous matériaux inflammable, protégée dans un sac de charge ou dans une boîte de métal prévue pour
3. Laissez la batterie refroidir avant de la charger
4. Référez-vous à l'étiquette de la batterie pour paramétrer la charge
5. Ne dépassez pas les 5C pour la charge. (Par exemple, pour une batterie de 1000mAh, ne dépassez pas 5A). Afin de vous débarrasser d'une batterie LiPo, suivez la procédure:

Plongez la batterie dans un récipient contenant environ 10L d'eau salée (une tasse de sel pour 10L). Laissez la batterie dans l'eau salée pendant 2 semaine, ce qui va lentement décharger la batterie jusqu'à ce que la tension descende à 0V. Ce qui élimine le risque de réactions chimique. Vous pouvez alors la mettre dans un bac de recyclage pour batterie



5-1. 2.4GHZ Système Radio



Montage des batteries:

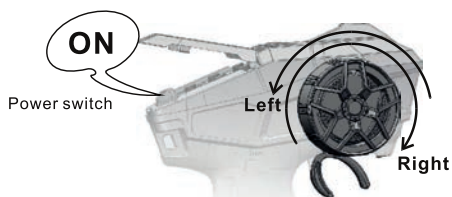
- Ouvrir le compartiment à piles
- Insérer 4 piles AA entièrement chargées ou une LiPo 2S en respectant les polarités
- Fermer le compartiment à piles

Processus de liaison (Bind) :

- Appuyer sur le bouton du récepteur, la LED d'indication clignote alors rapidement ce qui signifie que vous rentrez en mode de liaison. Le récepteur va alors chercher la télécommande la plus proche.
- La LED d'indication restera allumée une fois la liaison effectuée

Installer les batteries dans la télécommande (non incluse)

5-2. Réglage des trims de la direction et des gaz



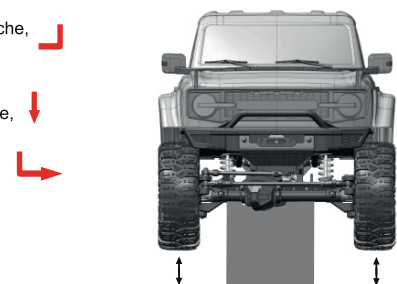
Angle du volant

La rotation maximale du volant de direction est de 35°. Depuis le centre vers la gauche ou vers la droite

- Tournez le volant de direction vers la gauche, la voiture tourne à gauche
- Ne touchez pas au volant, les roues sont alignées, et la voiture avance tout droit
- Tournez le volant de direction vers la droite, la voiture tourne à droite.

Note

Placez la voiture sur un support afin que les roues ne touchent pas le sol

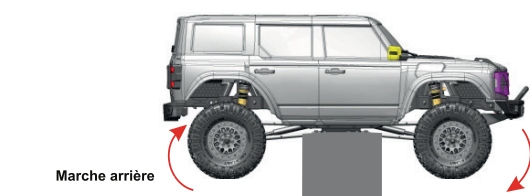
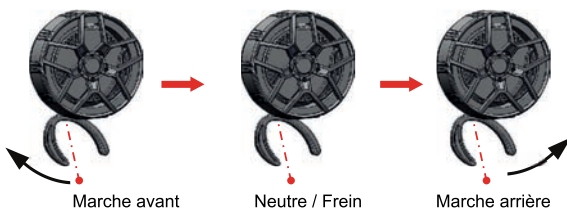


Gachette des gaz

La gachette des gaz a un débattement de 12.5 degrés vers l'avant et 12.5 degrés vers l'arrière.

Le plus vous tirez la gachette dans le débattement, au plus l'accélération ou le freinage sera puissant.

Note: En mode Crawler, lorsque la gachette des gaz est relâchée et donc au neutre, le frein moteur est actif.





5-4 Fonction crochet de treuil servo

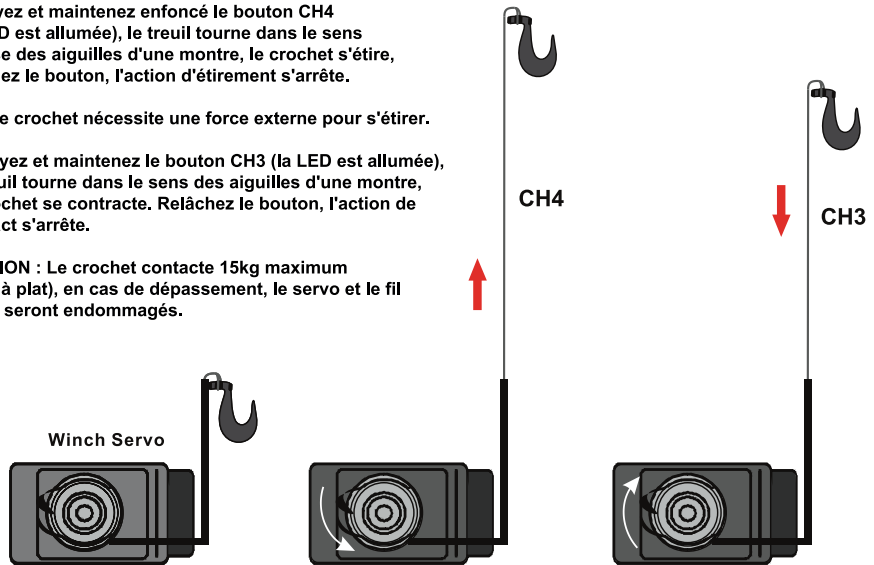


1. Appuyez et maintenez enfoncé le bouton CH4 (la LED est allumée), le treuil tourne dans le sens inverse des aiguilles d'une montre, le crochet s'étire, relâchez le bouton, l'action d'étirement s'arrête.

NOTE : le crochet nécessite une force externe pour s'étirer.

2. Appuyez et maintenez le bouton CH3 (la LED est allumée), le treuil tourne dans le sens des aiguilles d'une montre, le crochet se contracte. Relâchez le bouton, l'action de contact s'arrête.

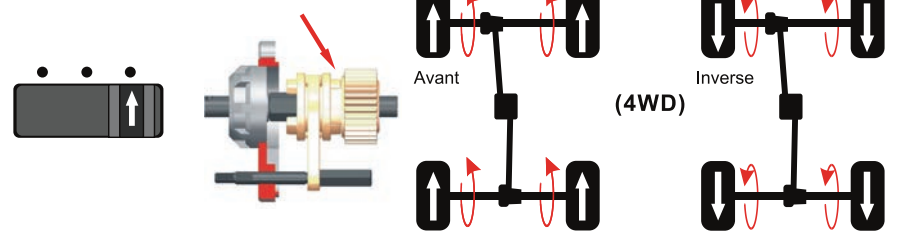
ATTENTION : Le crochet contacte 15kg maximum (service à plat), en cas de dépassement, le servo et le fil du treuil seront endommagés.



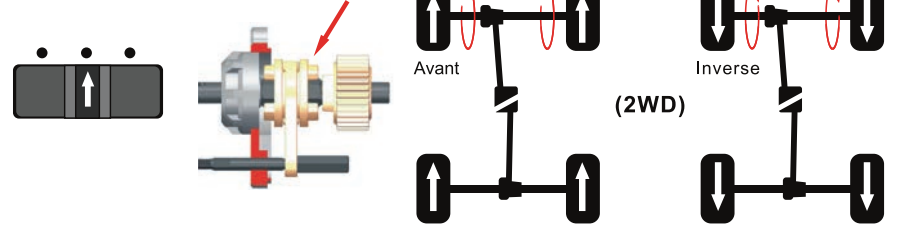
5-5 Instruction de fonction dig



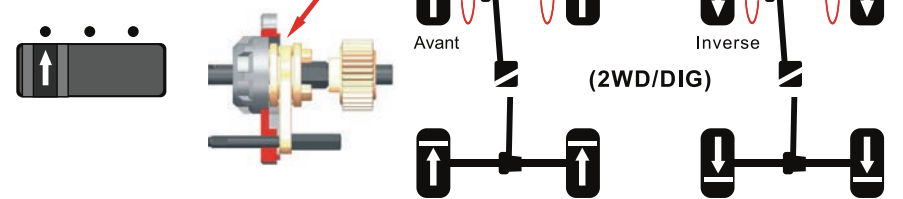
Mode 4 roues standard



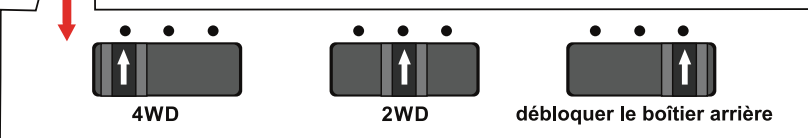
Mode traction avant



Mode traction avant + débloquer le boîtier arrière

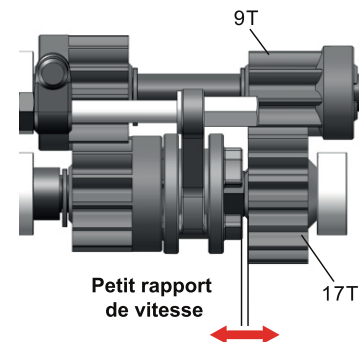
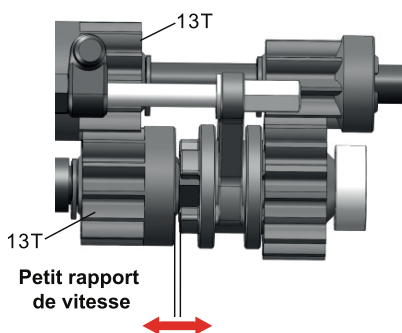


Interrupteur inverseur





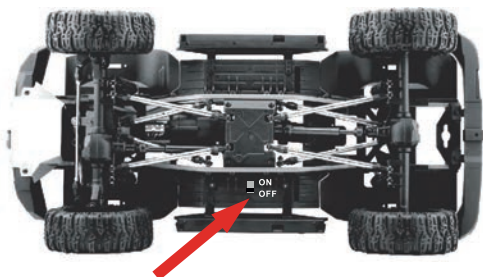
5-6. Changement de vitesse



- Appuyez sur le bouton de la voie 6, le bouton s'allume, et la transmission est maintenant sur le gros rapport de vitesse.
- Appuyez de nouveau sur le bouton de la voie 6, le bouton s'éteint, et la transmission est maintenant sur le petit rapport de vitesse

! Veillez à bien arrêter la voiture ou la ralentir lorsque vous passez les vitesses dans un sens comme dans l'autre. Cela permet de rendre l'opération plus souple et surtout d'éviter d'abimer les pignons de la boîte.

5-7. Contrôle de la lumière

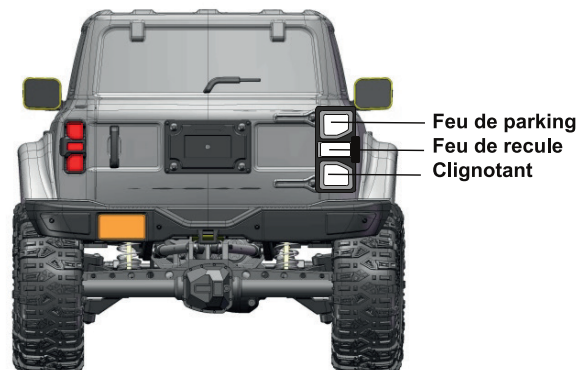


Interrupteur d'alimentation (OFF/ON)

Mode I : Power on the switch, rear park lights are on, right and left cornering lights and back-up light are normal.



Modèle 11 : Comme indiqué sur l'image (5-7a), appuyez à nouveau sur le bouton, l'avant, les phares avant clignotent ; appuyer sur le bouton une fois les phares avant éteints.

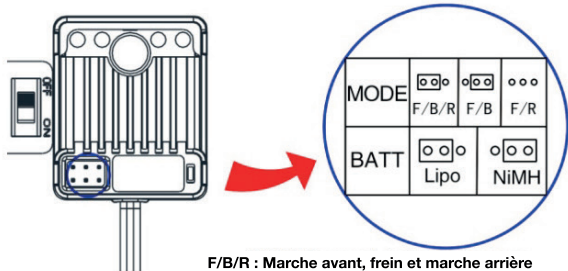


Modèle 111 : comme le montre l'image (5-7b), appuyez sur le bouton, les DRL sont allumés ; appuyez à nouveau sur le bouton, les DRL clignotent ; appuyez à nouveau sur le bouton. Les DRL sont désactivés.



7. Manuel Utilisateur du Contrôleur de Vitesse Waterproof pour Moteurs Charbons

WP-1060-Moteur à Charbons



F/B/R : Marche avant, frein et marche arrière
 F/B : Marche avant avec frein
 F/R : Marche avant et marche arrière (Mode Crawler)

FONCTIONNALITÉS

- Étanche à l'eau et à la poussière afin de rouler dans toutes les conditions
- Taille compacte avec un condensateur intégré
- Calibration de la gâchette des gaz automatique et facile à utiliser
- Multiples protections : Protection Cut Off lorsque la tension descend sous un certain seuil pour les batteries LiPo ou NiMH / Protection contre les surchauffes / Protection contre la perte du signal de la gâchette des gaz
- Facilement programmable avec des jumpers

SPÉCIFICATIONS

Caractéristique		WP-1060-Moteur à Charbons
Courant continu / de pic		Marche avant : 60A / 360A Marche arrière : 30A / 180A
Alimentation		LiPo 2-3S, NiMH 5-9 cellules
Voitures compatibles		1 :10 piste et tout-terrain 1 :10 crawler, tank et bateaux
Limitation moteur	LiPo 2S ou NiMH 5-6 cellules	Moteur de taille 540 ou 550 >= 8T Ou tr/min < 45000 @7,2V
	LiPo 3S ou NiMH 7-9 cellules	Moteur de taille 540 ou 550 >= 13T Ou tr/min < 30000 @7,2V
Dimension & Poids		36x30x18 & 40g
BEC intégré		3A / 6V (Interrupteur du mode BEC)
Résistance		Marche avant : 0,0008 Ohm, Marche arrière : 0,0016 Ohm



! Attention : Une inversion de polarité endommage immédiatement l'ESC. Si le moteur tourne dans le mauvais sens, échangez le branchement de 2 câbles entre le moteur et l'ESC.

FONCTIONS DE PROTECTION

1. Protection Cut off (LVC) contre les faibles tensions : Si la tension de la batterie descend sous un certain seuil pendant plus de 2 secondes, l'ESC va alors rentrer en mode de protection. Lorsque la voiture s'arrête, la LED rouge clignote afin d'indiquer que la LVC est activée.

Table A:LVC protection for WP-1060-B RUSHED, (F/B/R or F/B mode).

2S Lipo	3S Lipo	4S Lipo	NiMH 5-9 cellules
La puissance est réduite de moitié à 6,5V et est complètement coupée à 6.0V	La puissance est réduite de moitié à 9.75V et est complètement coupée à 9.0V	La puissance est réduite de moitié à 13V et est complètement coupée à 12V	La puissance est réduite de moitié à 4,5V et est complètement coupée à 4,0V

2. Protection contre la surchauffe : Lorsque la température interne de l'ESC dépasse les 100°C / 212°F pendant 5 secondes, l'ESC va diminuer et couper la puissance. Lorsque la voiture s'arrête, la LED rouge clignote afin d'indiquer que la protection contre la surchauffe est activée. Si l'ESC redescend sous les 80°C / 176°F, la puissance va être de nouveau fournie normalement.
3. Protection contre la perte du signal de la gâchette des gaz : L'ESC coupe l'alimentation de puissance si la perte du signal est supérieure à 0.1 seconde. La fonction Fail Save du système radio est fortement recommandée.

DÉPANNAGE

PROBLÈME	RAISONS POSSIBLES	SOLUTION
Une fois allumé, le moteur ne tourne pas, aucun son est émis et la LED est éteinte.	L'ESC n'est pas alimenté avec une tension suffisante ; Les branchements entre la batterie et l'ESC ne sont pas correct.	Vérifier la batterie, les câbles et les prises.
	L'interrupteur est endommagé	Changer l'interrupteur
Une fois allumé, le moteur ne tourne pas et la LED clignote en rouge.	Le signal des gaz est anormal	Vérifier le câble de l'ESC et assurer qu'il est branché sur le bon port du récepteur
	La calibration automatique de la commande des gaz a échoué	Mettez le TRIM des gaz à 0
La voiture avance dans le mauvais sens (le moteur tourne dans le sens inverse)	Le branchement des câbles entre le moteur et l'ESC n'est pas correct	Echangez le branchement de 2 câbles entre le moteur et l'ESC
La voiture ne recule pas	La position du jumper de réglage est mauvaise	Vérifiez le jumper et mettez le dans la bonne position
	Le neutre de la gâchette des gaz a bougé	Mettez le TRIM des gaz à 0
La voiture ne peut pas avancer, mais elle peut reculer	Le sens de la commande des gaz n'est pas correct	Changer le sens de la commande des gaz : NOR en REV ou REV en NOR

RÉFÉREZ-VOUS À LA NOTICE DE L'ESC POUR OBTENIR PLUS DE DÉTAILS



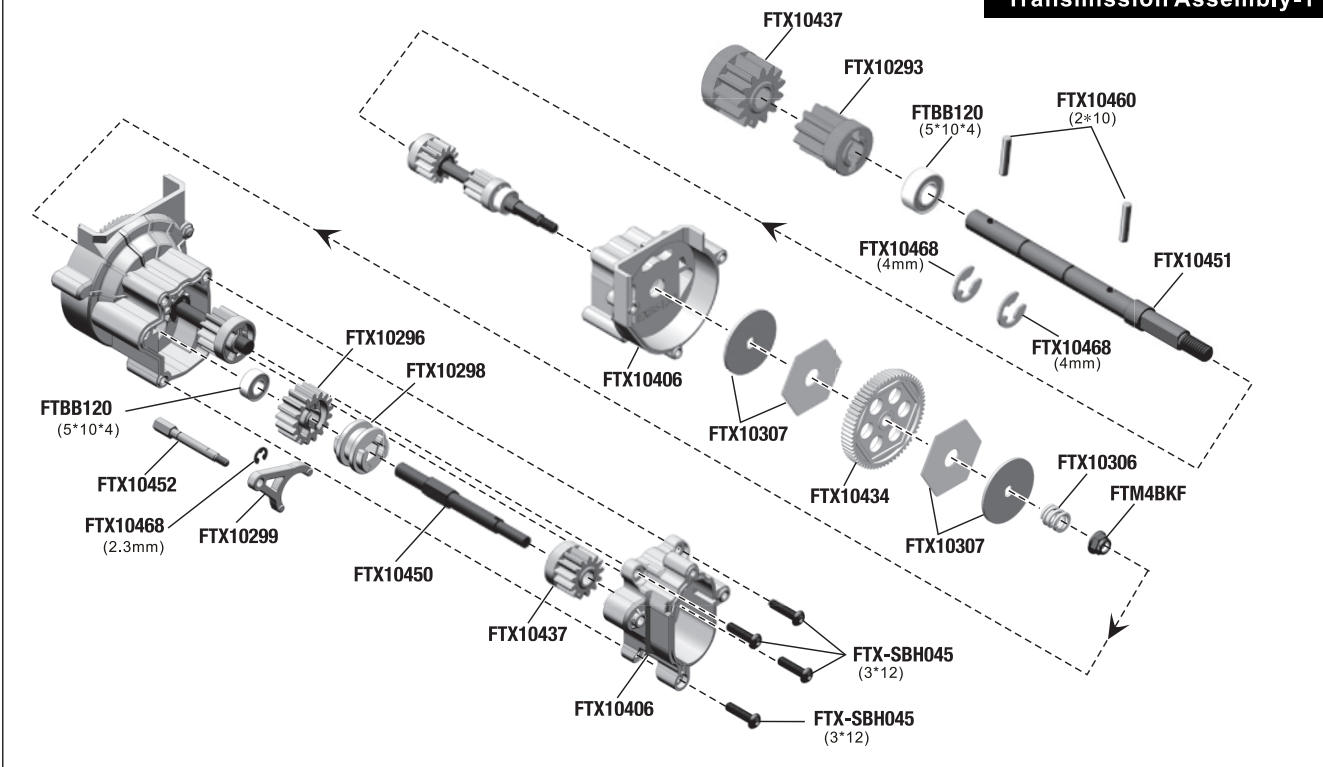
11. Dépannage

Problème	Source possible	Résolution
La voiture ne répond pas aux commandes	Des connecteurs électriques sont débranchés ou dessoudés	Eteignez la voiture et rebranchez le connecteur
	La batterie de la voiture n'est pas chargée, la protection de batterie de l'ESC est donc activée pour protéger la batterie	Remplacez ou rechargez la batterie de la voiture
	Le moteur ou l'ESC est sale ou endommagé	Changez le moteur
	L'ESC est en défaut	Changez l'ESC
	L'ESC s'est éteint car le moteur est trop chaud	Arrêtez de rouler et faites refroidir la voiture
	Le moteur a surchauffé et est démagnétisé et/ou abimé	Changez le moteur
	Les piles de la télécommande sont faibles ou la portée est trop faible	Changez les piles ou rapprochez la télécommande de la voiture
	La télécommande est abimée	Remplacez-la ou contactez votre vendeur
La marche arrière ou la marche avant ne fonctionne pas	Le mode de roulage de l'ESC n'est pas correctement réglé	Référez-vous au manuel d'utilisation de l'ESC, et sélectionnez le mode de roulage « Marche avant et marche arrière avec freinage »
	L'ESC est abimé	Remplacez-le ou contactez votre vendeur
	La commande des gaz de la télécommande est abimée ou le neutre n'est pas correctement	Référez-vous au manuel d'utilisation de la télécommande, et effectuez le réglage
La voiture avance toute seule	Les trims des gaz ne sont pas au neutre réglé	Référez-vous au manuel d'utilisation de la télécommande, et effectuez le réglage
	Le point neutre de l'ESC n'est pas correctement réglé	Ajuster le neutre sur l'ESC
En fonctionnement normal, le changement de vitesse ne s'effectue pas	Vous ne procédez pas correctement	Assurez-vous de changer les vitesses à l'arrêt. Pour plus d'info référez-vous à la notice
	La commande est abimée ou desserrée	Remplacez le câble ou ajustez le
	Le câble du servo n'est pas branché sur le bon port du récepteur	Référez-vous au manuel d'utilisation de la télécommande, et changez de port
Les commandes sont ralenties	La batterie est abimée ou n'est pas chargée	Vérifiez, changez ou rechargez la batterie
	Le trim des gaz n'est pas correctement réglé sur la télécommande	Référez-vous au manuel d'utilisation de la télécommande
	Le moteur est sale ou abimé	Nettoyez-le ou remplacez le
	La transmission est sale ou abimée	Nettoyez-la ou remplacez le
Les fonctions des lumières ne fonctionnent pas bien que la batterie soit correctement installée	La connectique des lumières n'est pas correctement branchée	Vérifiez le câblage
	La télécommande crée l'erreur ou le contrôleur des lumières	Resettez la télécommande. Sinon vérifiez que le contrôleur des lumières ne soit pas abimé
	Le câble n'est pas correct	Vérifiez le câblage
Pas de commande de direction et d'accélérateur	L'ESC s'est éteint en raison d'une surchauffe	Arrêtez de fonctionner, laissez l'ESC refroidir
	Le trim de la direction n'est pas correctement réglé	Réglez le trim de la direction
La voiture tourne à gauche ou à droite sans toucher au volant de la télécommande	Les éléments de la direction sont abimés	Vérifiez et changez-les
	Une roue est desserrée	Vérifiez et resserrez la
	L'émetteur est trop proche d'autres éléments électromagnétiques	Vérifiez un émetteur et un récepteur de réaffectation
Les commandes sont inversées	ST,REV ou TH,REV	Changez de position les interrupteurs et lisez la notice
	Vérifiez le branchement entre l'ESC et le moteur	Inversez le câble noir et le câble rouge du moteur
Bruit régulier pendant le roulage	Vérifiez la carrosserie voir si elle n'est pas abimée ou ne touche pas les pneus	Recoupez ou remplacez la
	L'entredent entre la couronne et le pignon de transmission n'est pas bon	Ajustez l'entredent
	Des pignons sont abimés ou les dents sont sales	Vérifiez, nettoyez ou changez les pignons
Seule la direction fonctionne	L'ESC a un problème	Vérifiez le point neutre de l'ESC ou remplacez le
	La télécommande a un problème	Changez la ou appelez votre vendeur

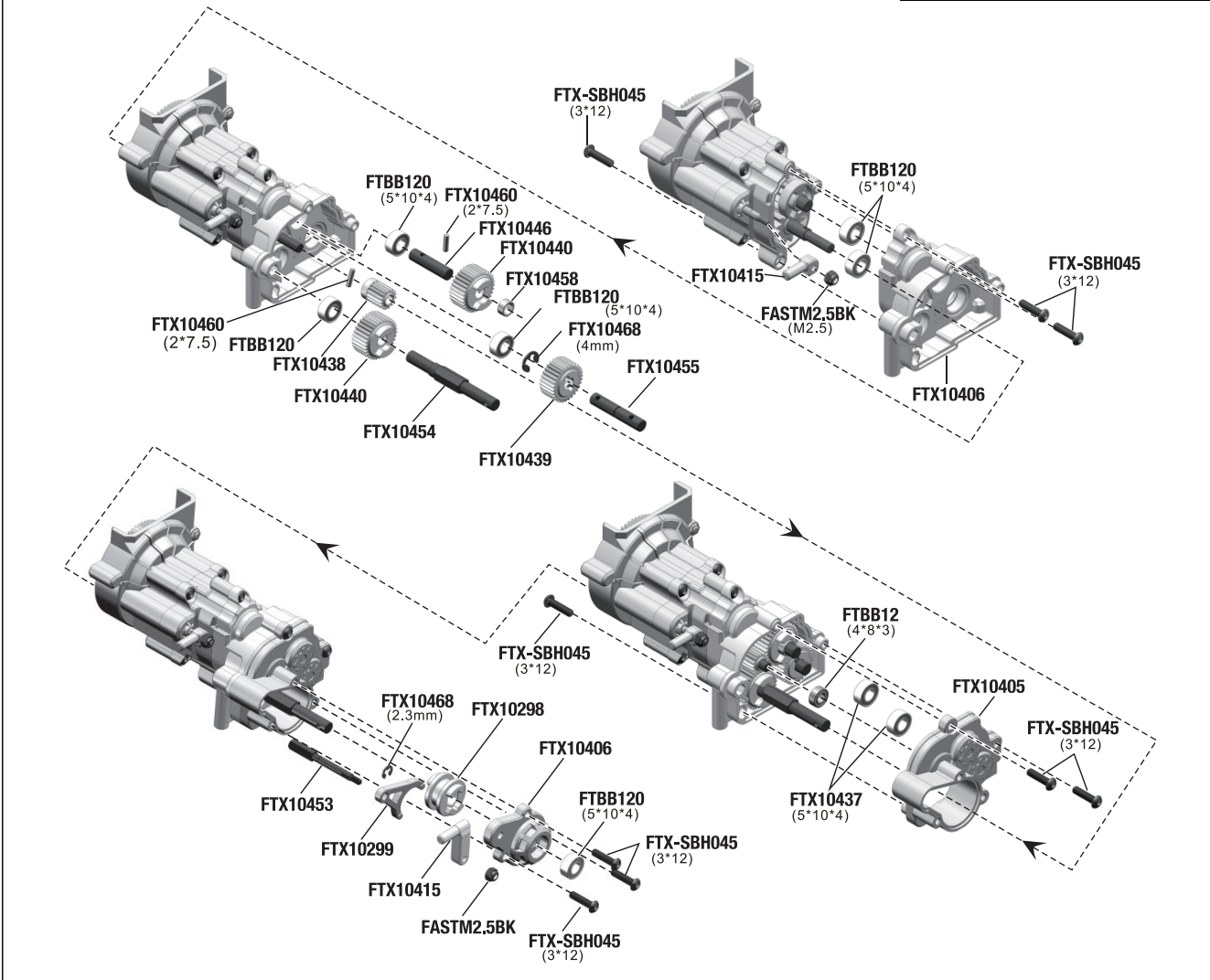


EXPLODED PARTS DIAGRAMS

Transmission Assembly-1

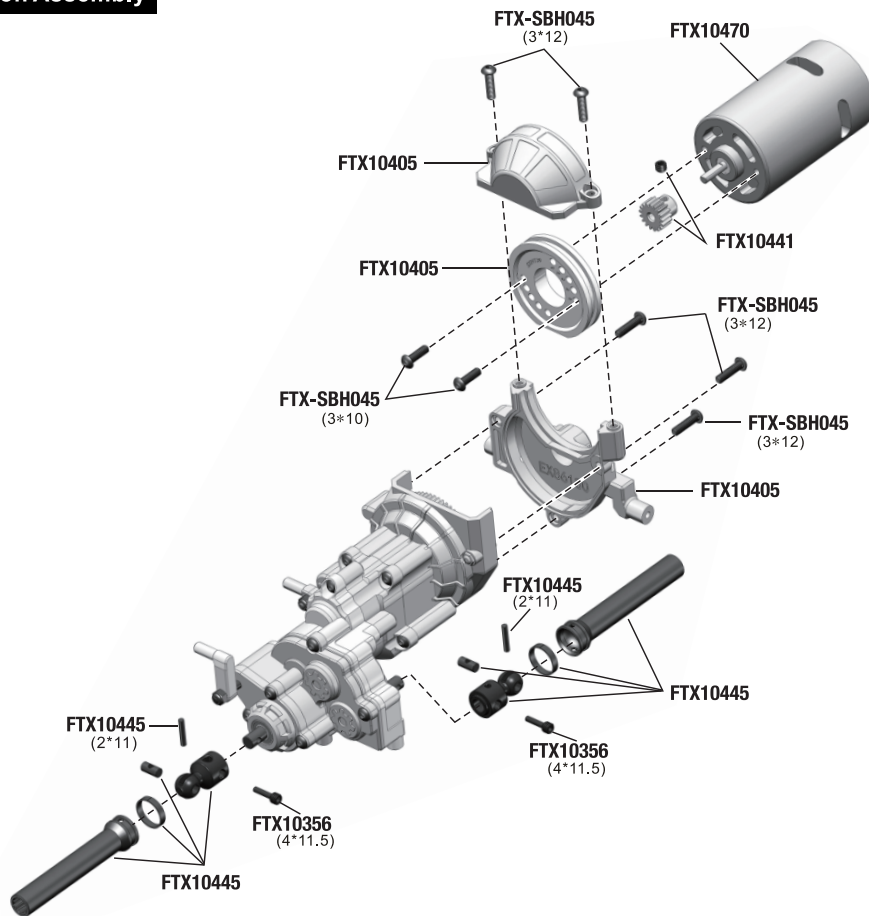


Transmission Assembly-2

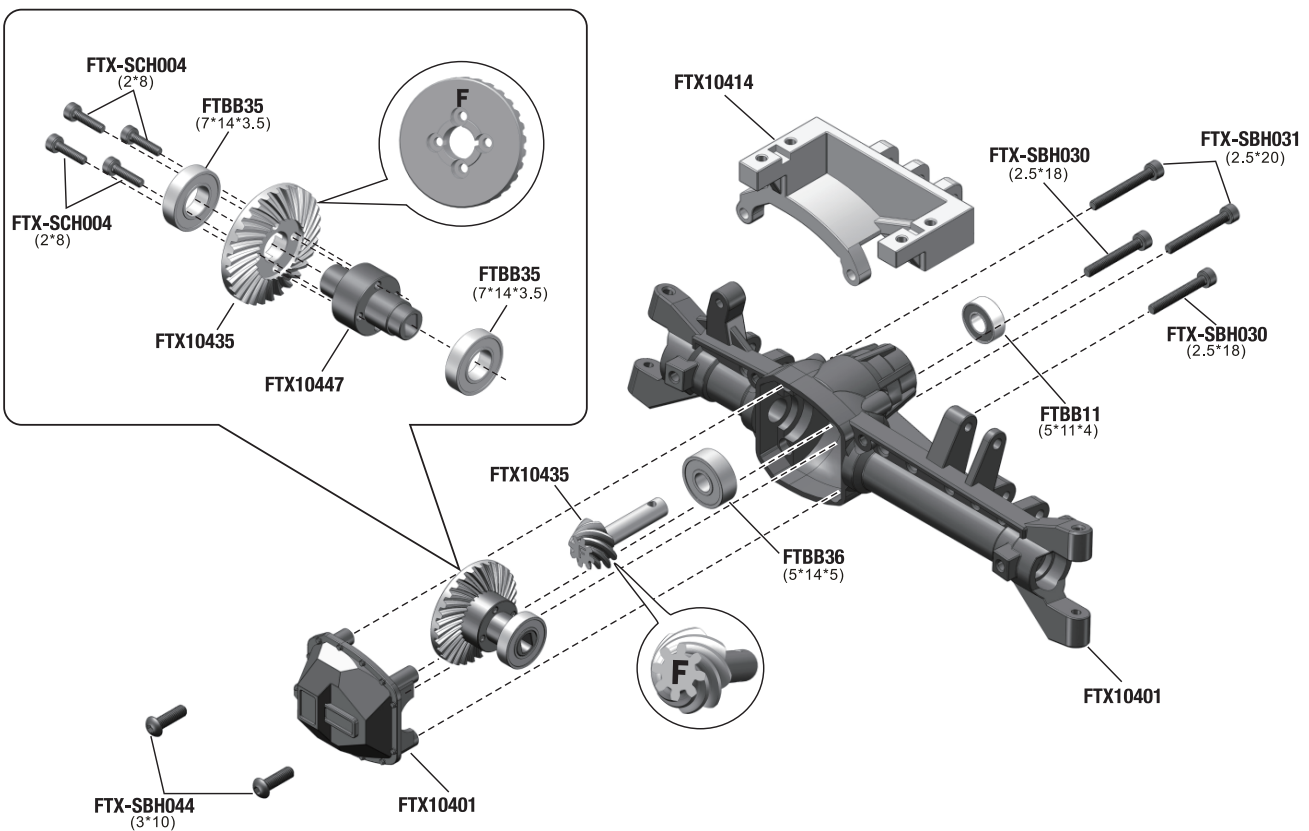




Motor/Transmission Assembly

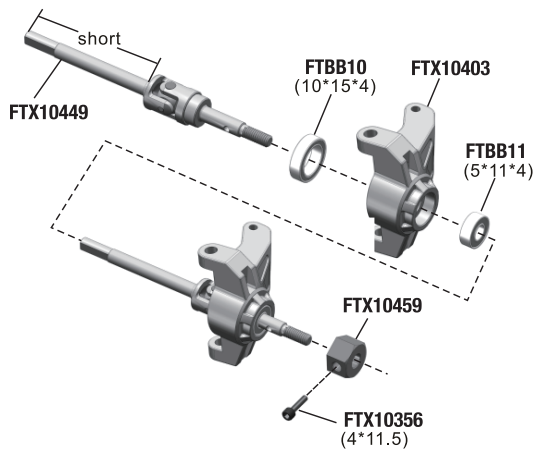


Servo Mount Assembly

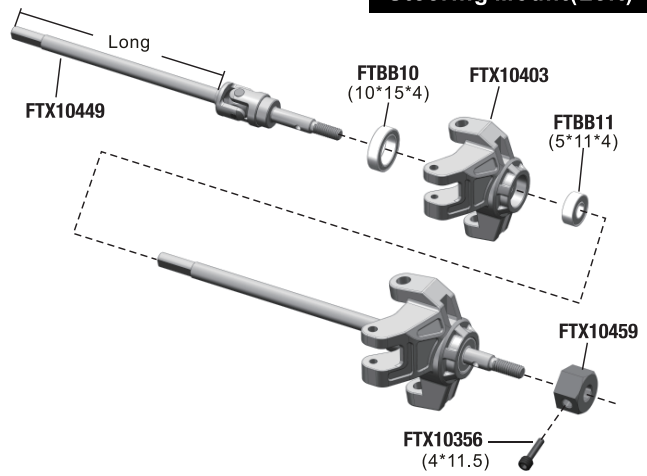




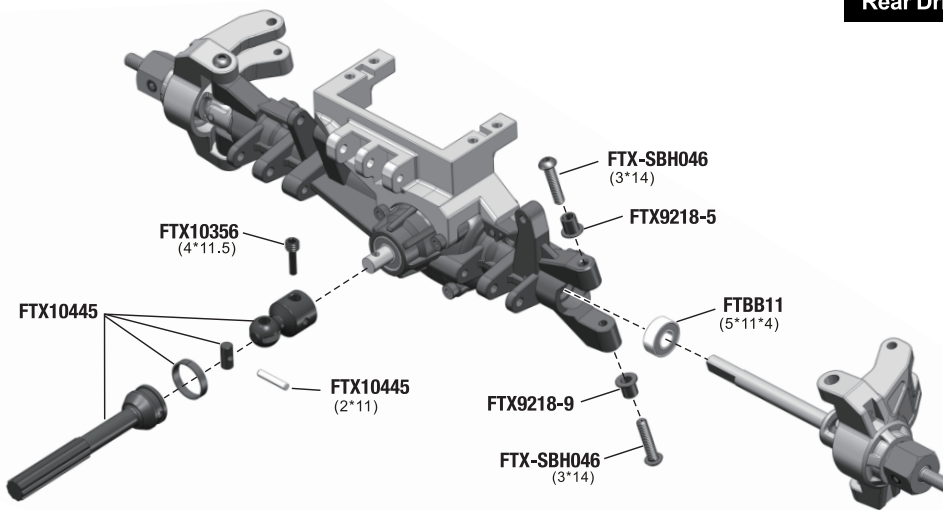
Steering Mount(Right)



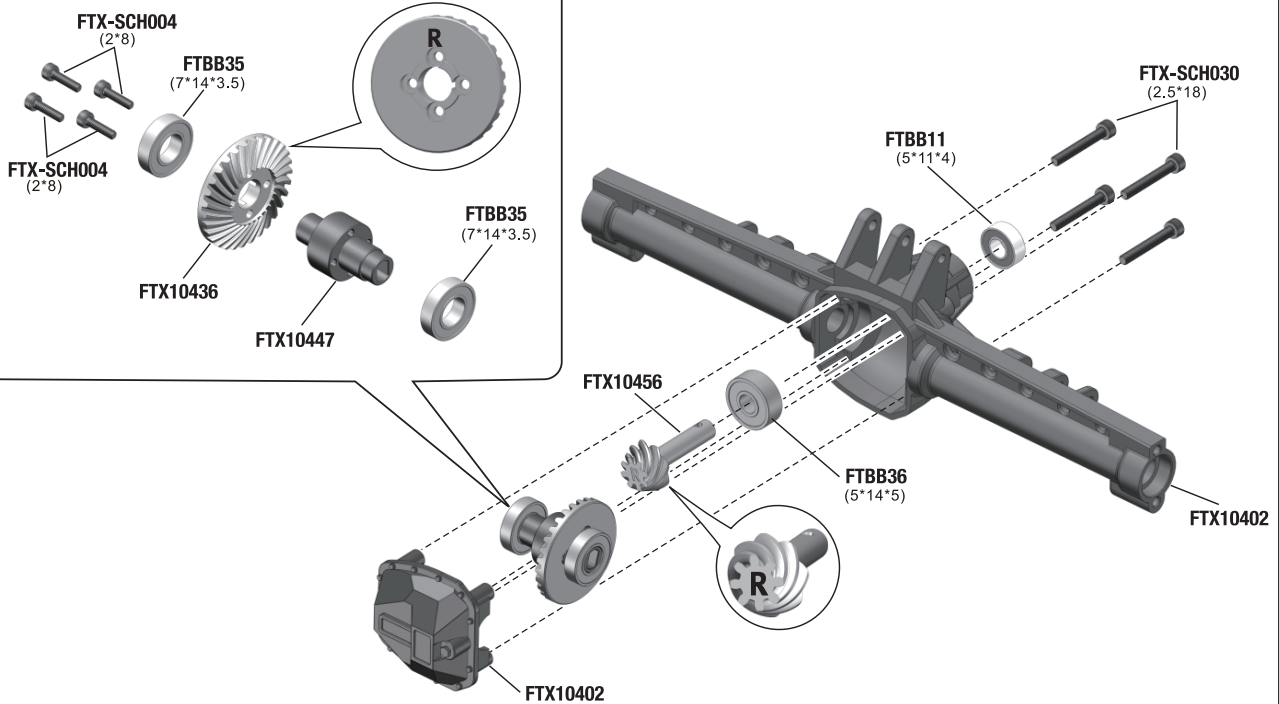
Steering Mount(Left)



Rear Drive Axle Assembly

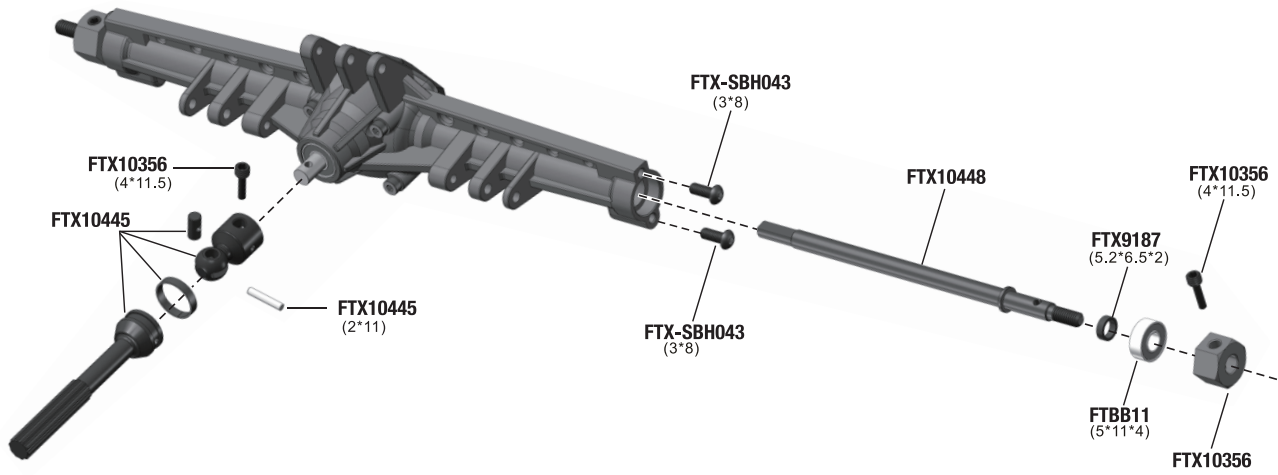


Axle Housing Cover

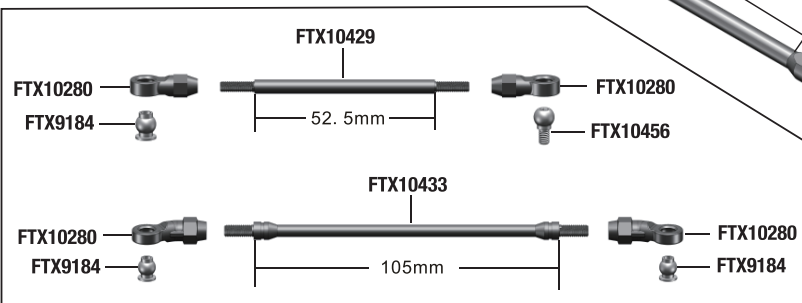
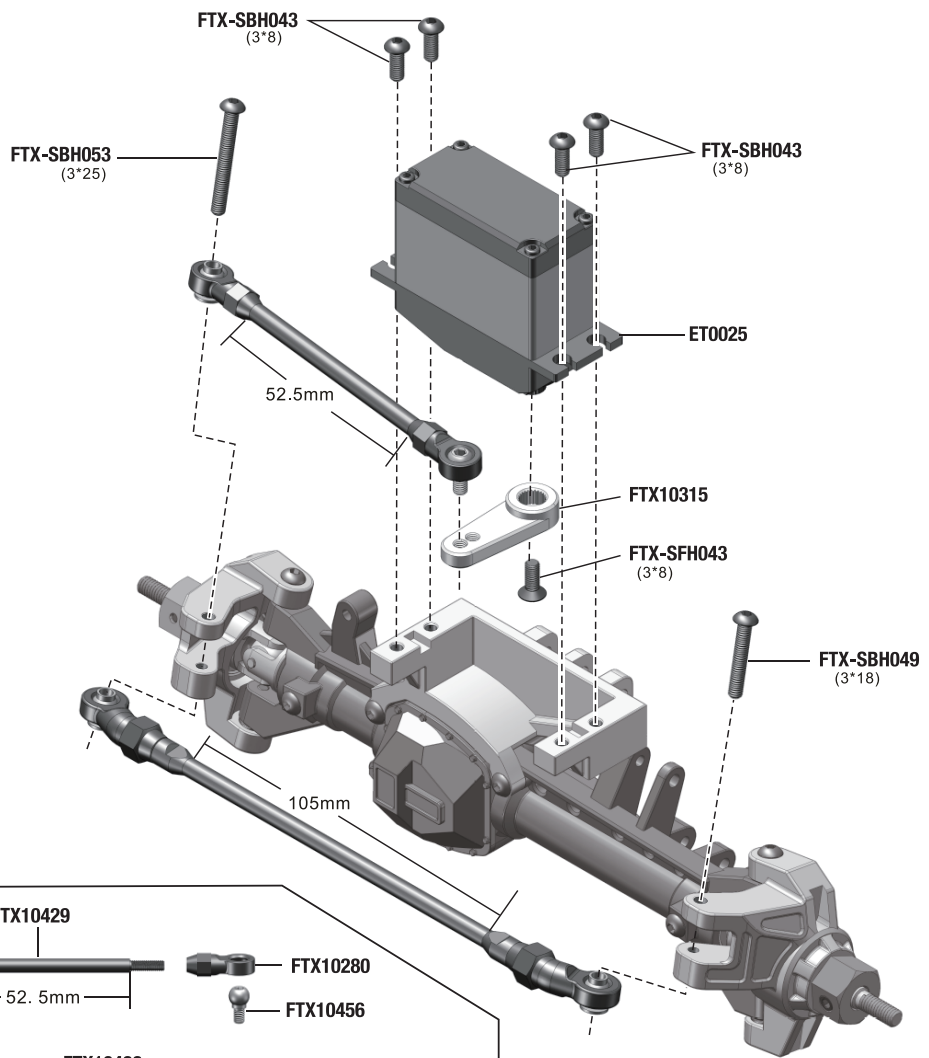




Rear Axle Box Assembly

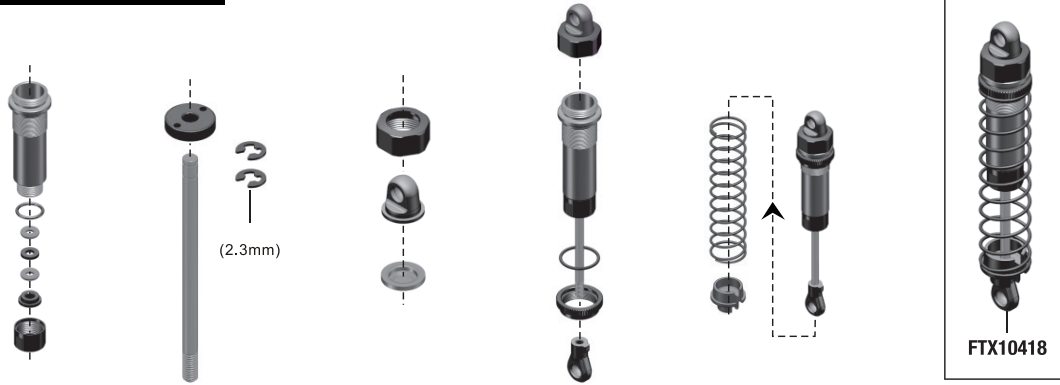


Steering Servo Assembly

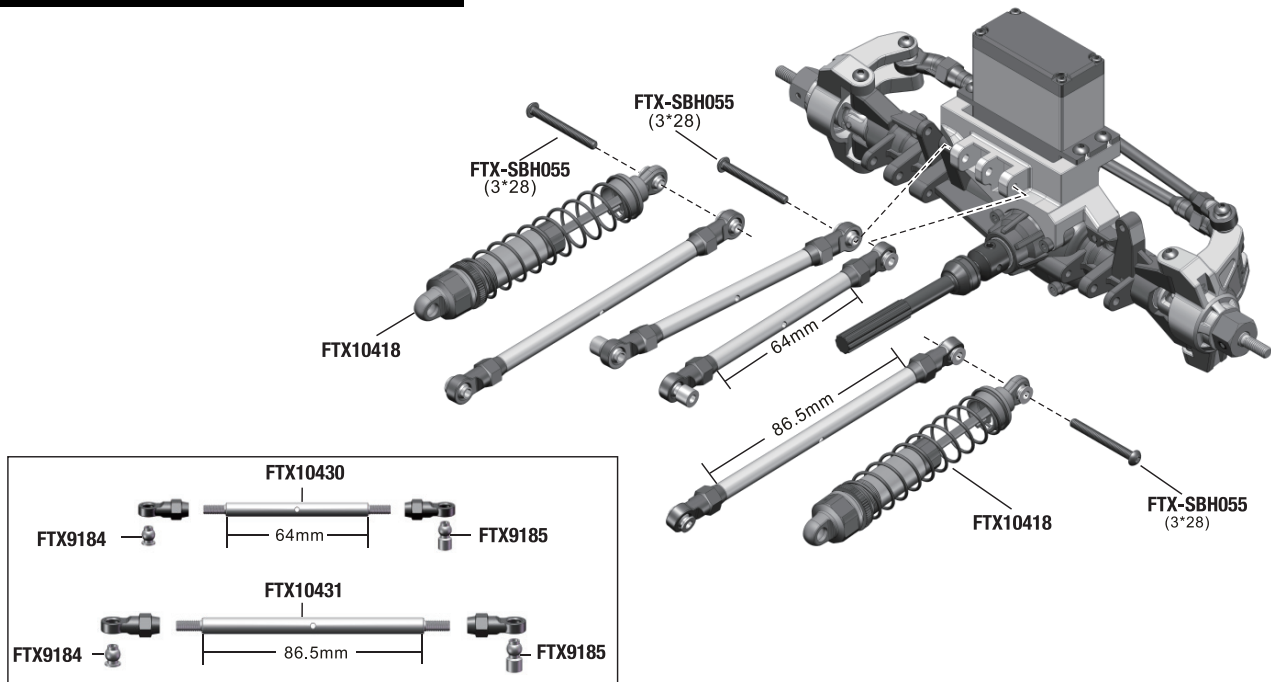




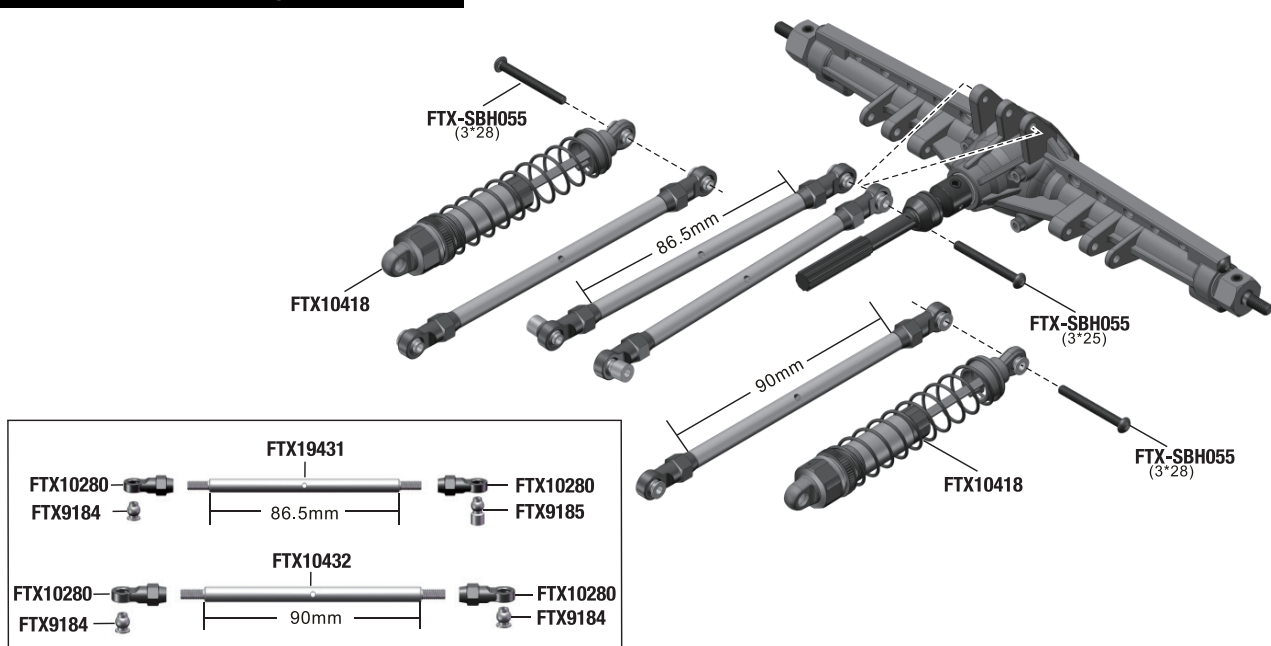
Shock Absorber Assembly



Front Suspension Linkage Installation

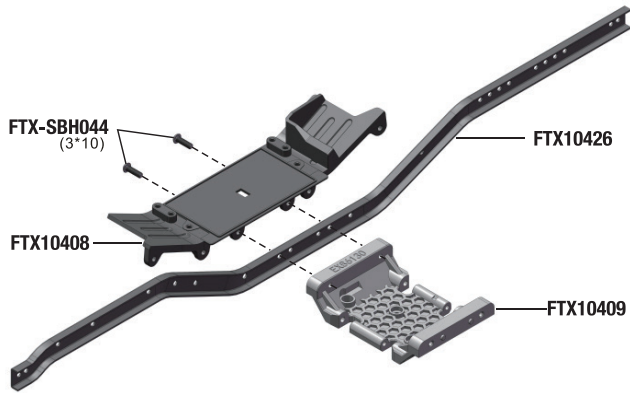


Rear Suspension Linkage Installation





Main Body (Center Right)



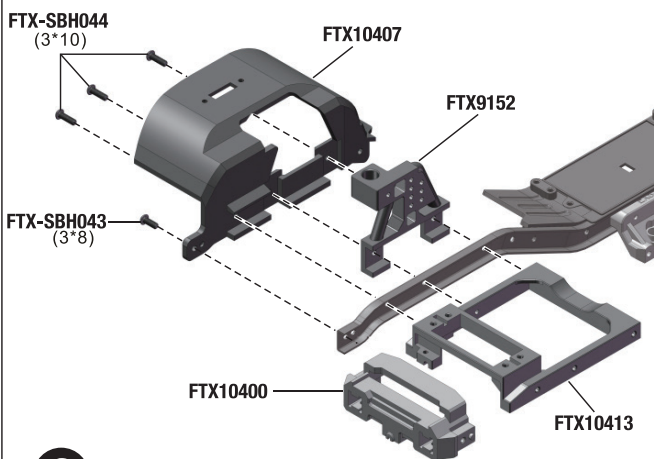
1

Main Body (Center Left)



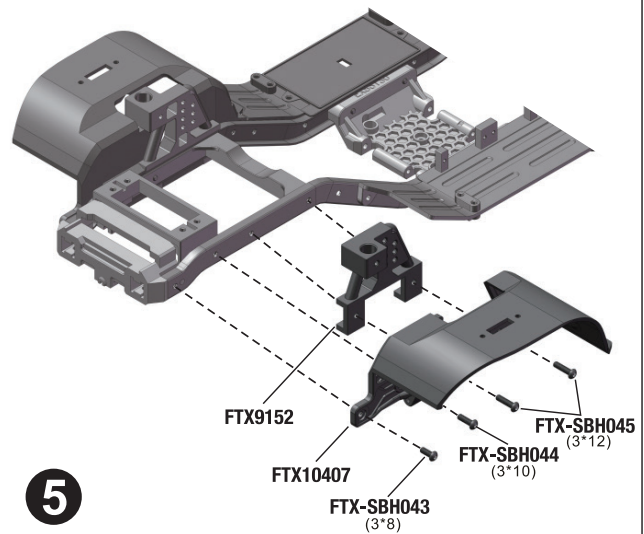
4

Main Body (Front Right)



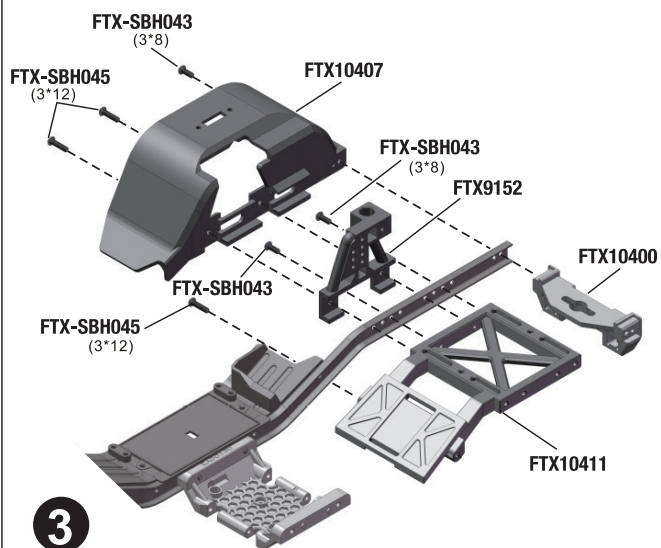
2

Main Body (Front Left)



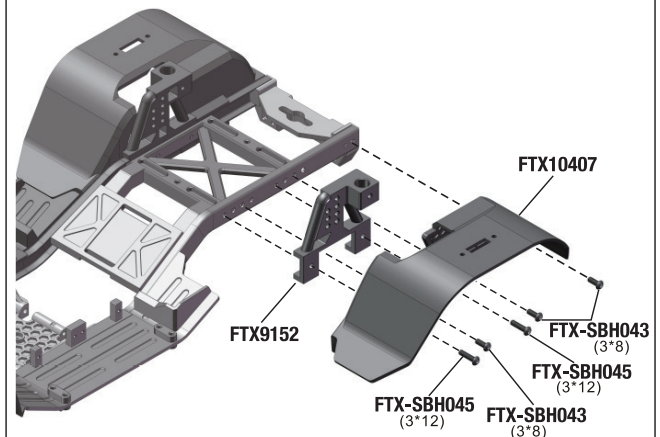
5

Main Body (Rear Right)



3

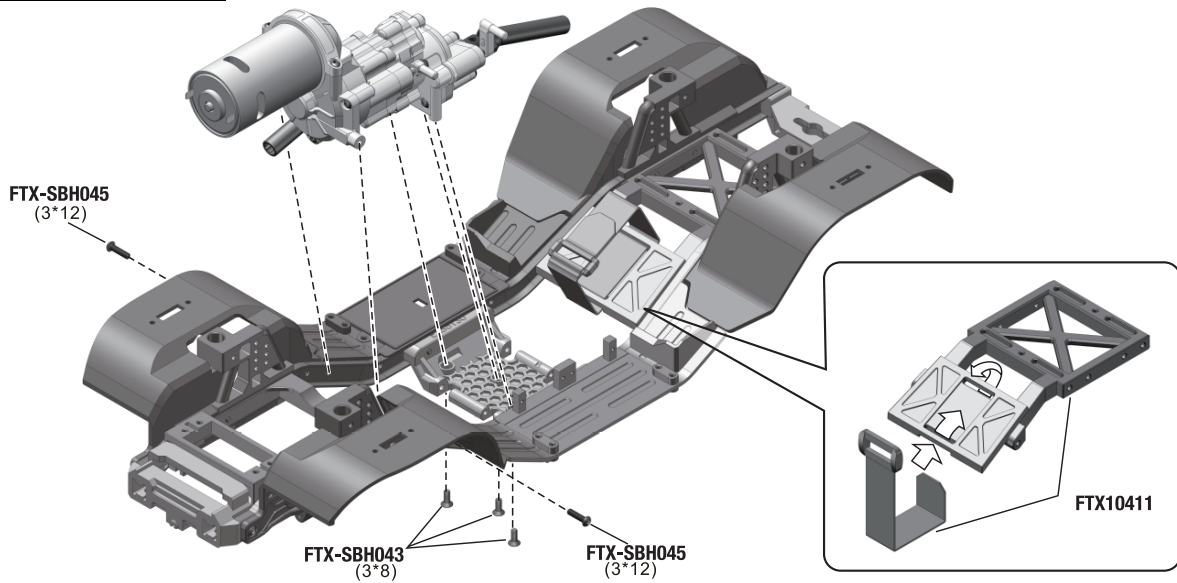
Main Body (Rear Left)



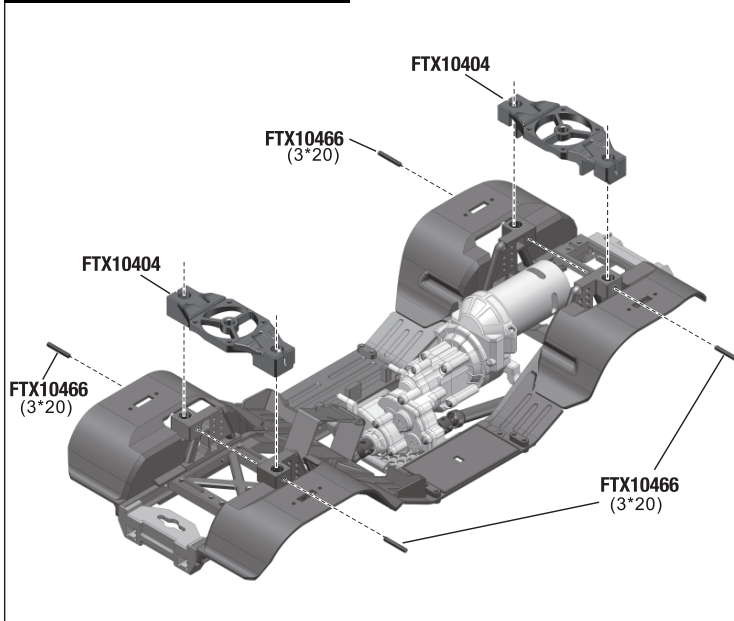
6



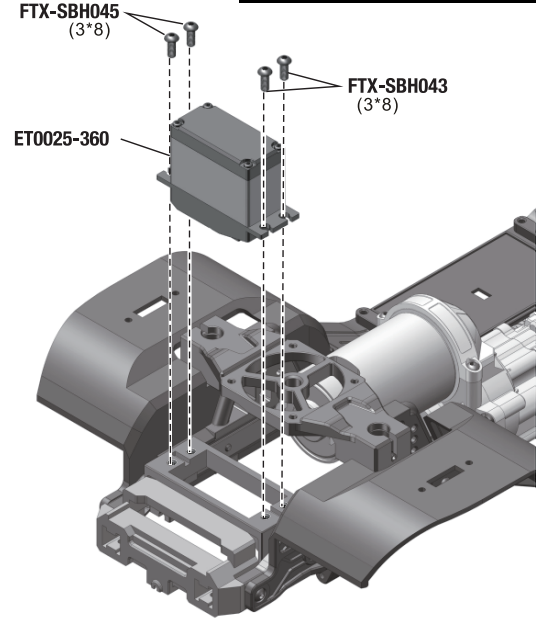
Mounting Center Gear Box



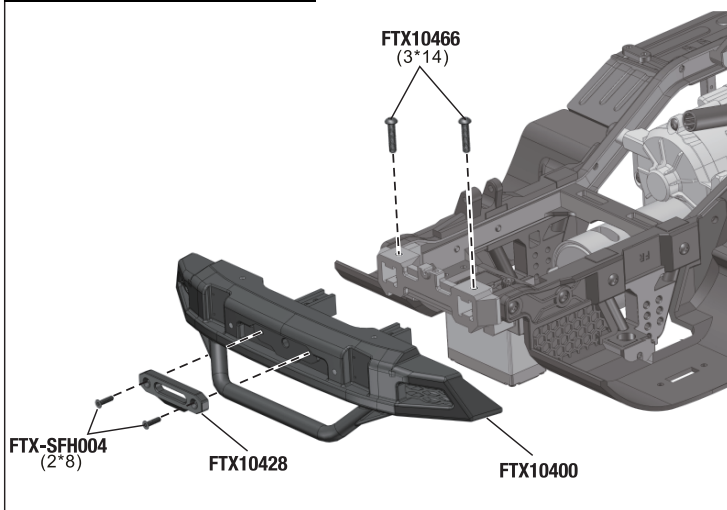
Suspension Connected Plate



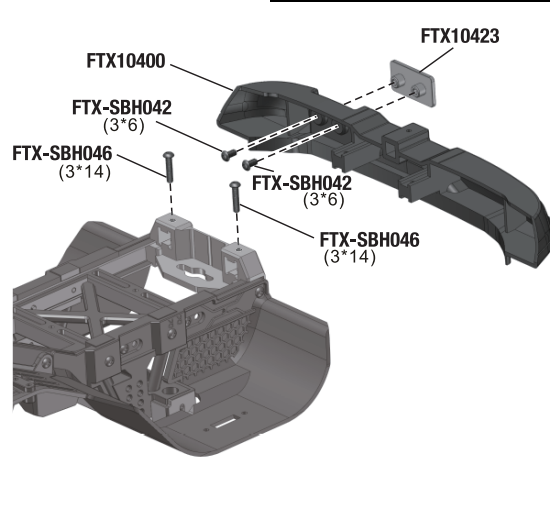
Winch Servo Assembly



Front Shock Absorber

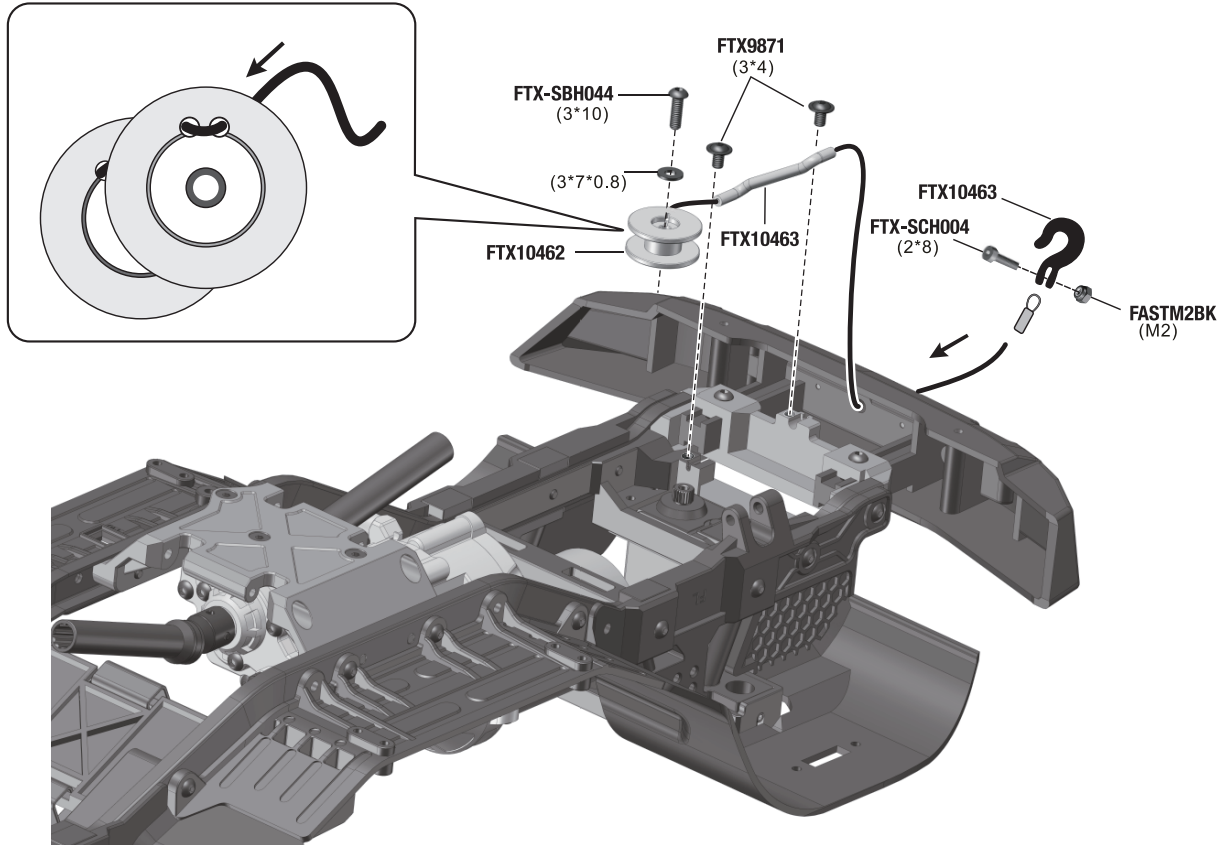


Rear Shock Absorber

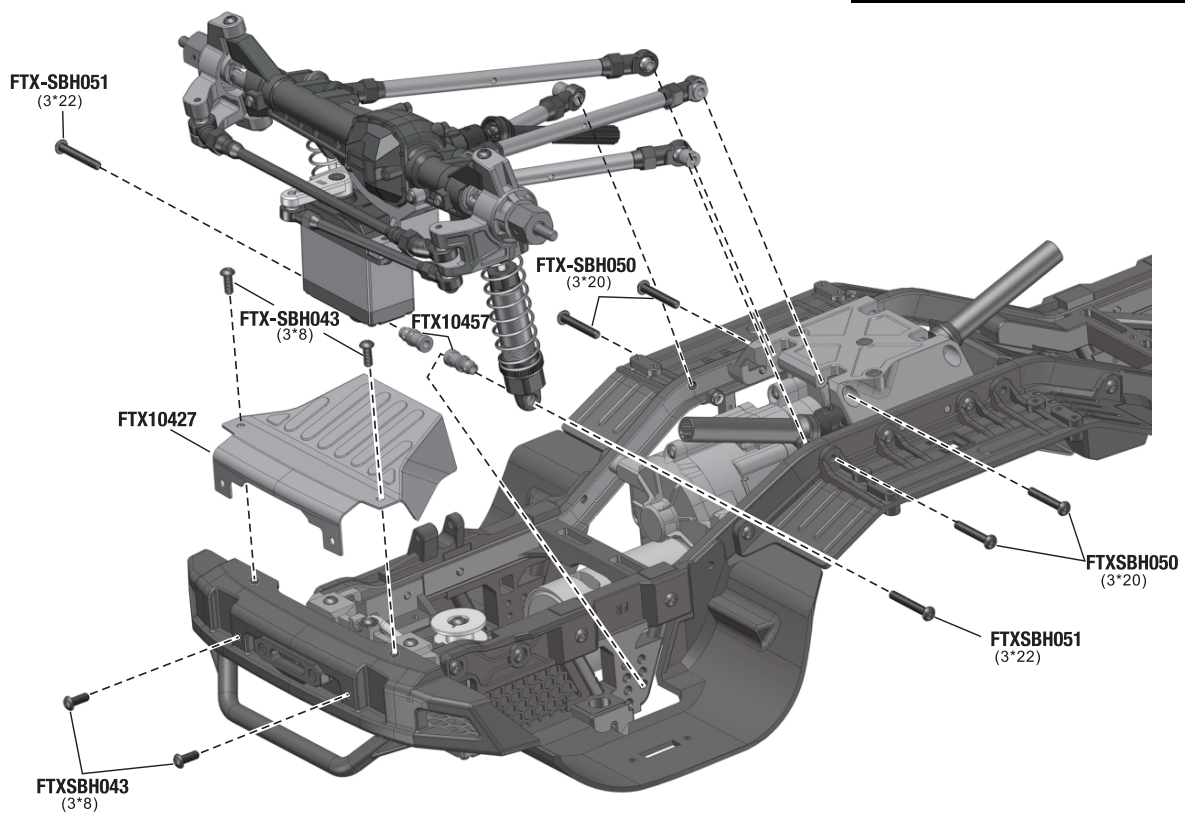




Winch Assembly

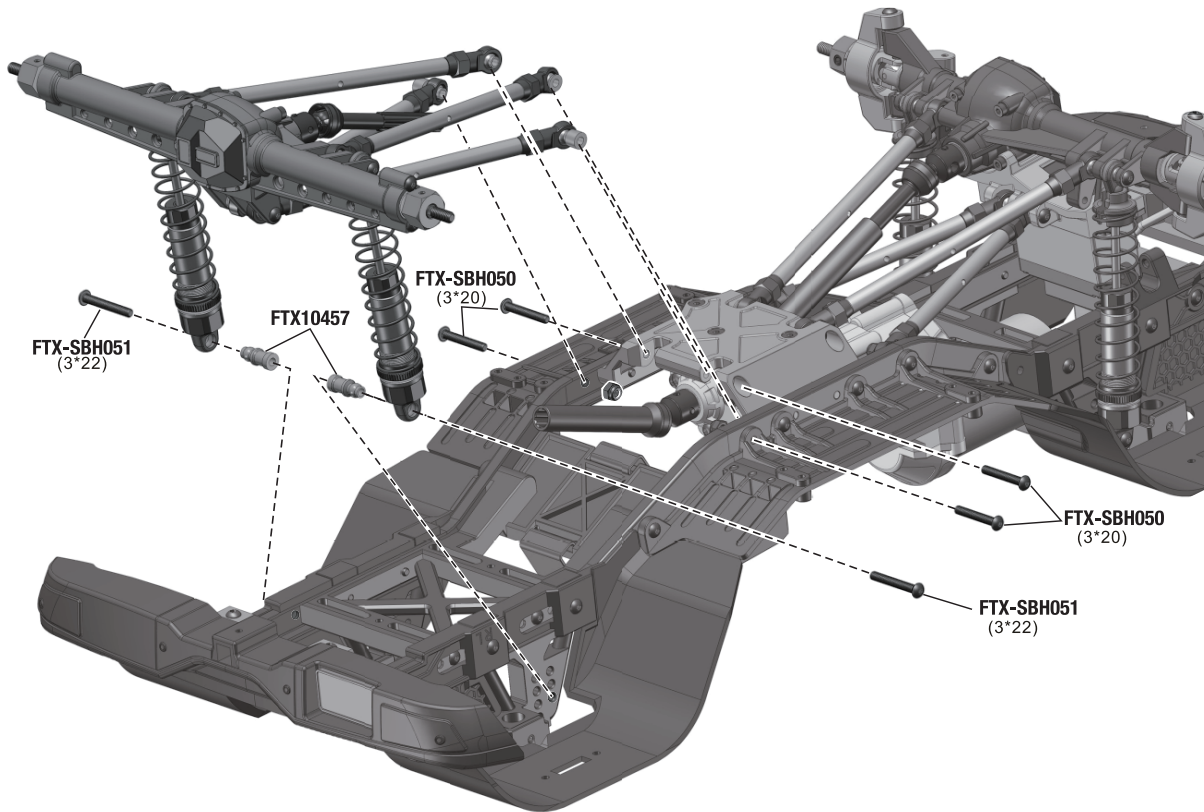


Installing Front Axle Complete

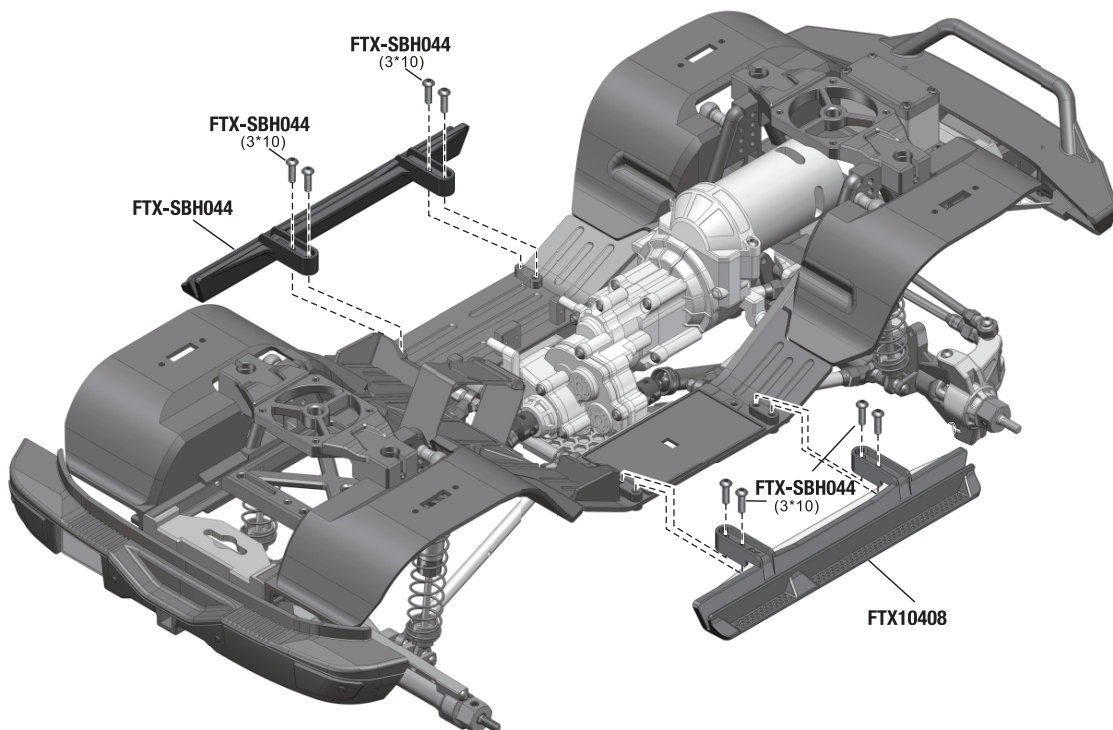




Installing Reer Axle Complete

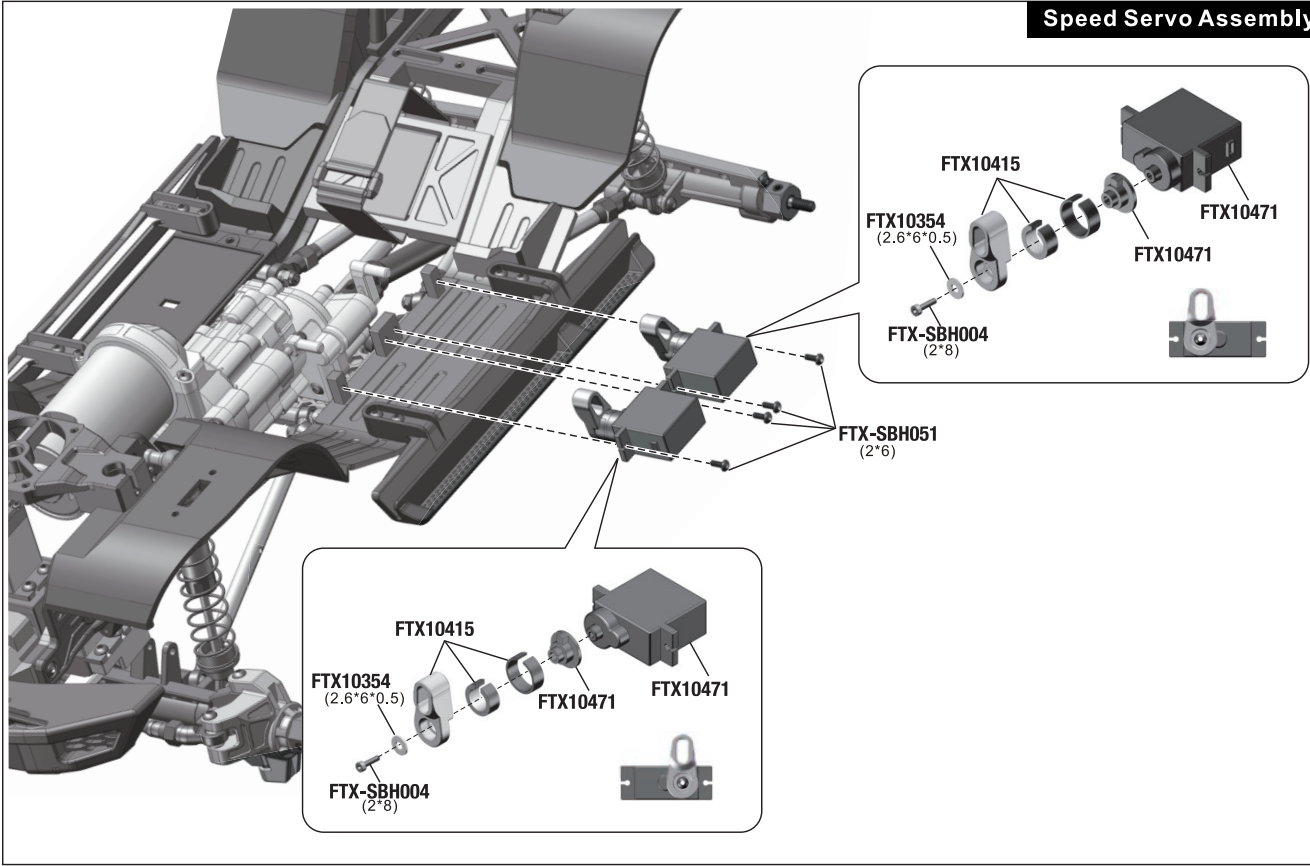


Installing Side Plate(Left/Right)

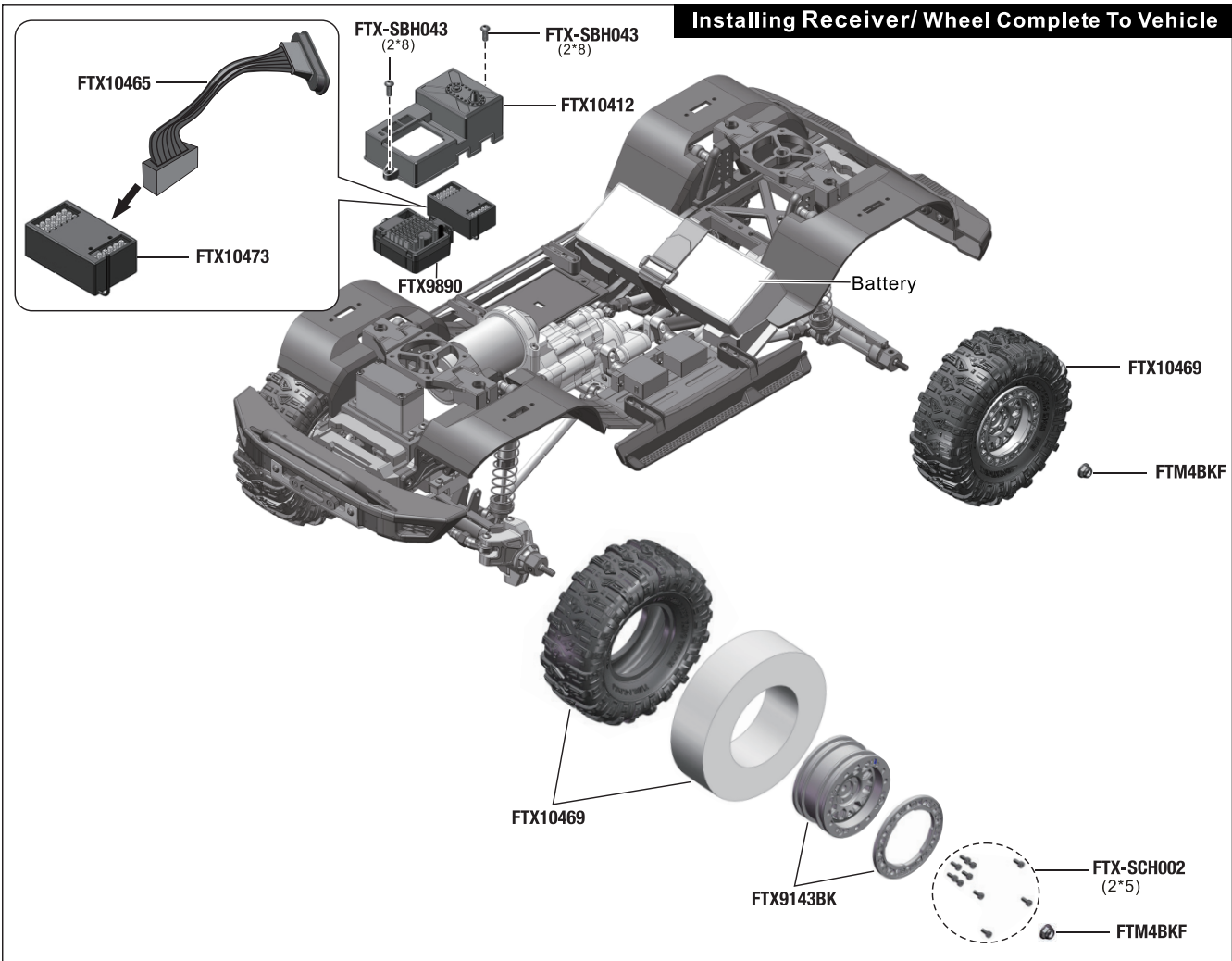




Speed Servo Assembly

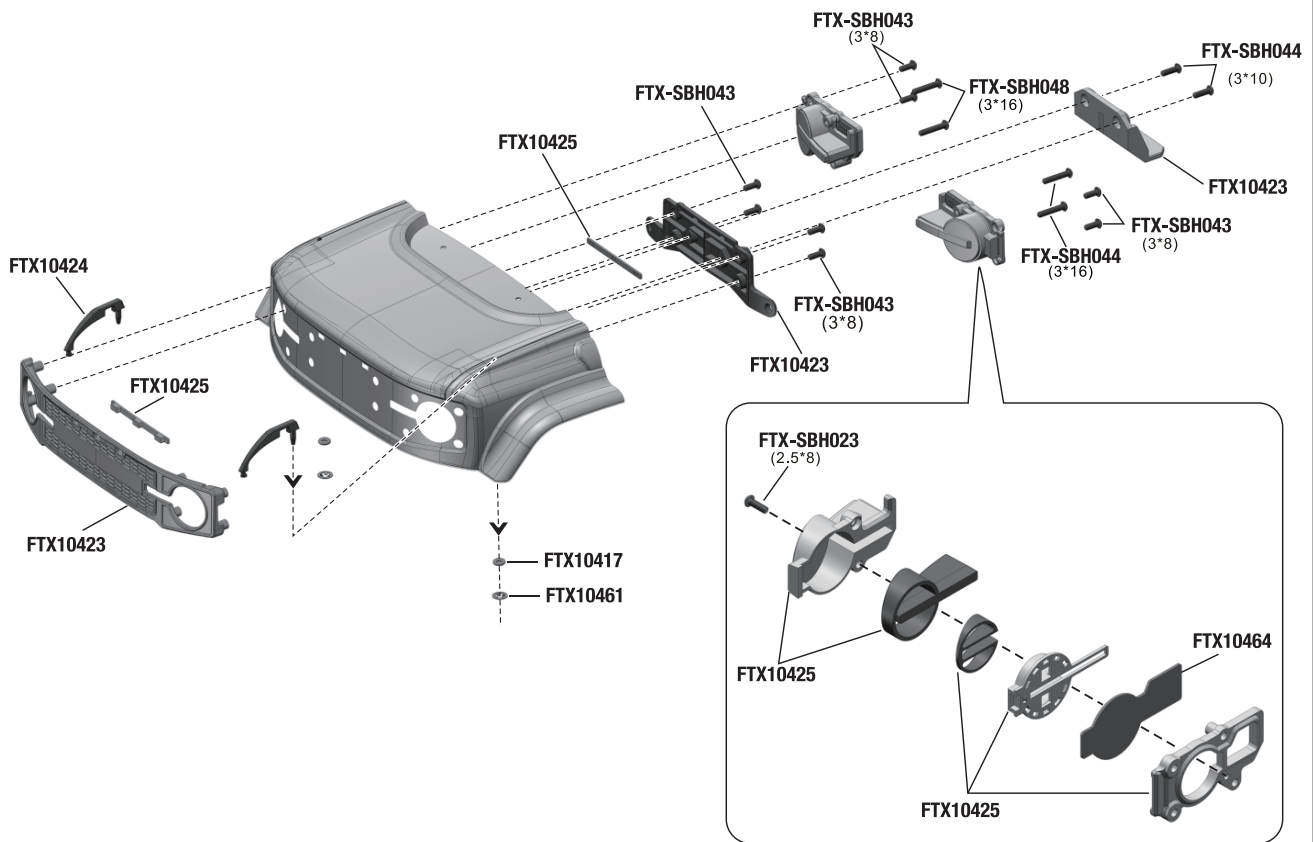


Installing Receiver/ Wheel Complete To Vehicle

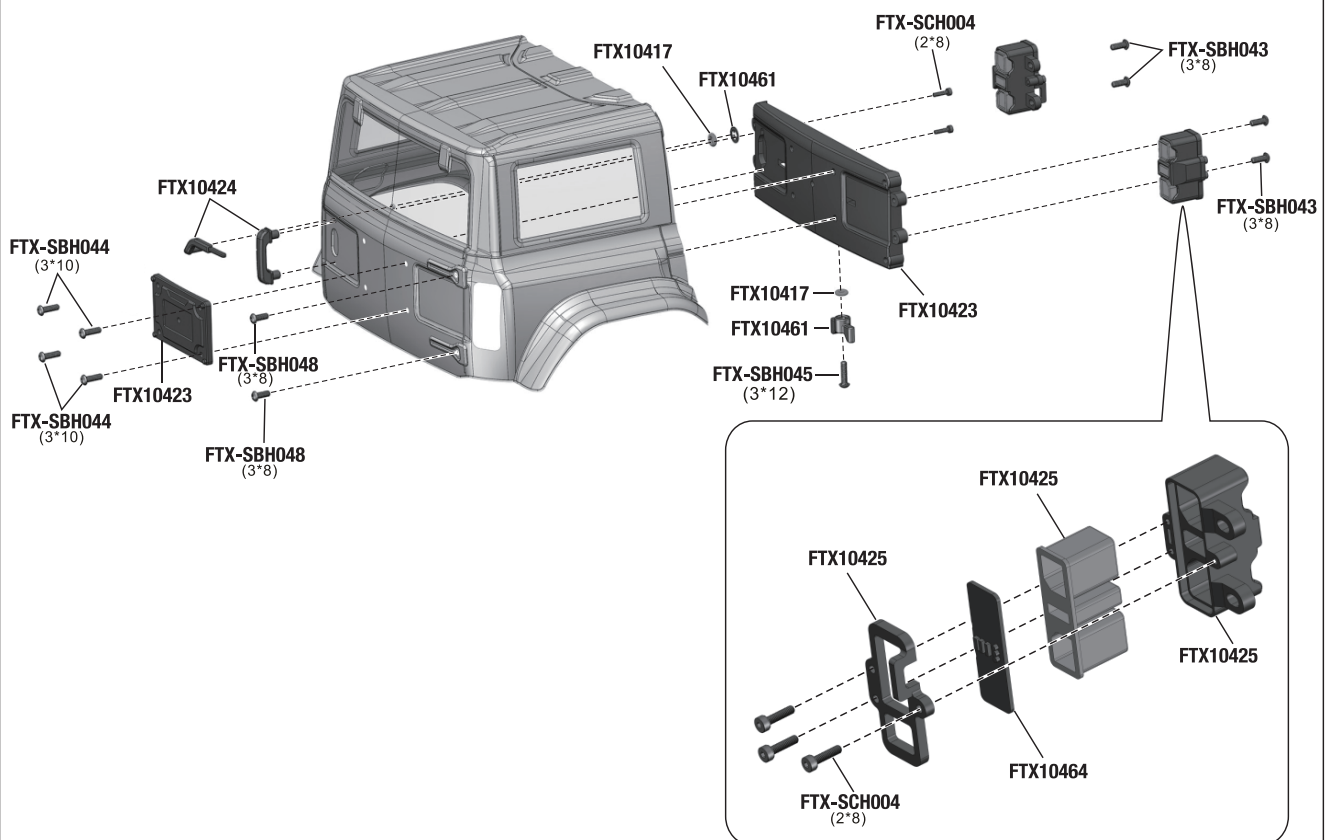




Body Assembly-1

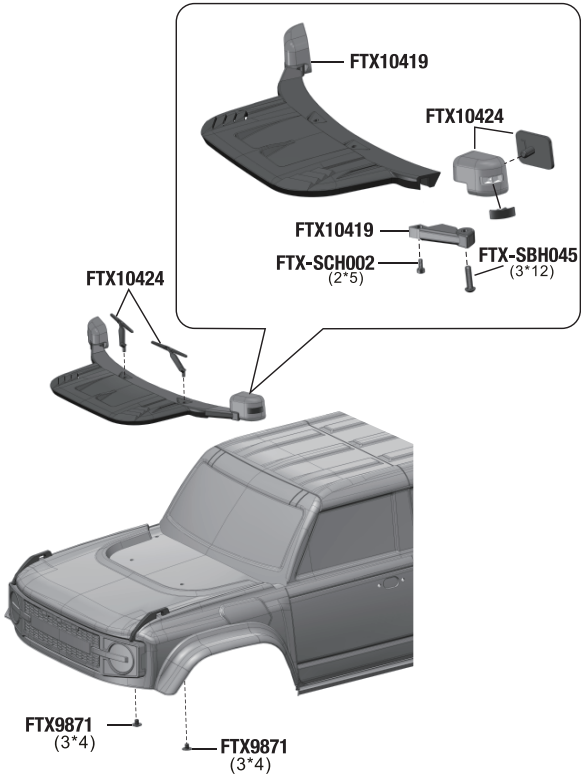


Body Assembly-2

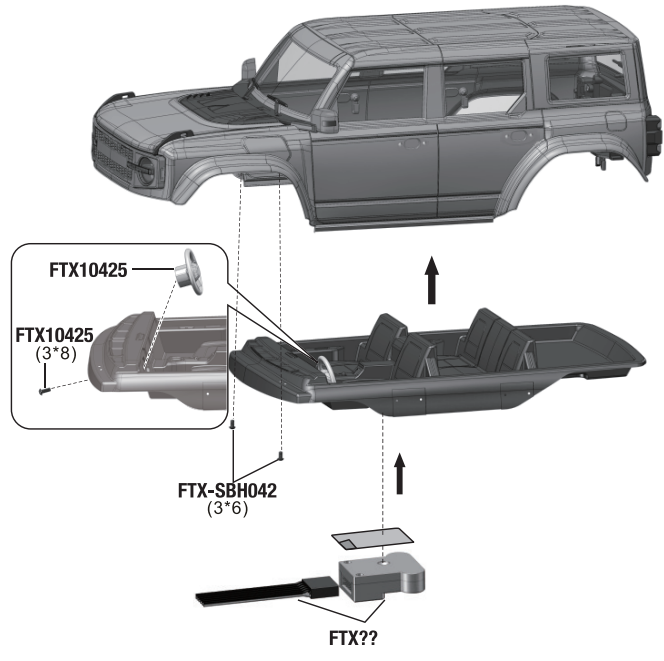




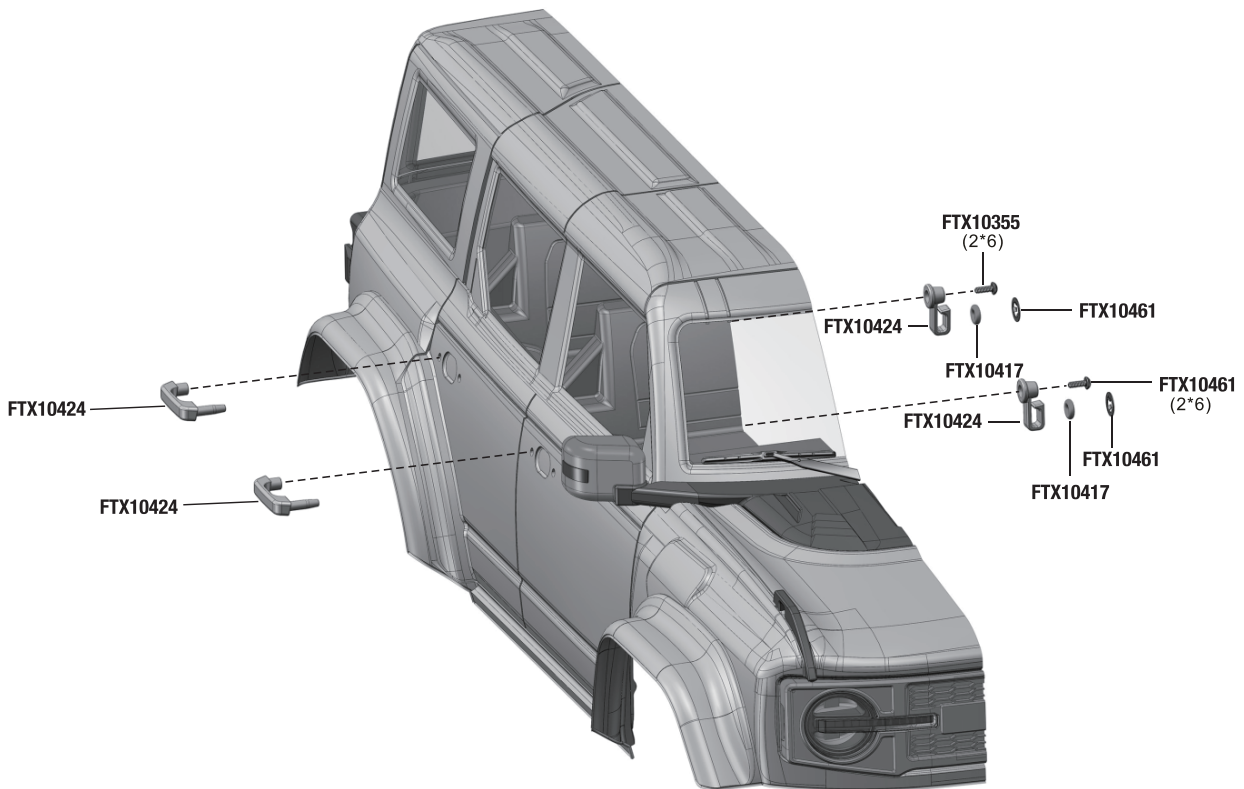
Body Assembly-3

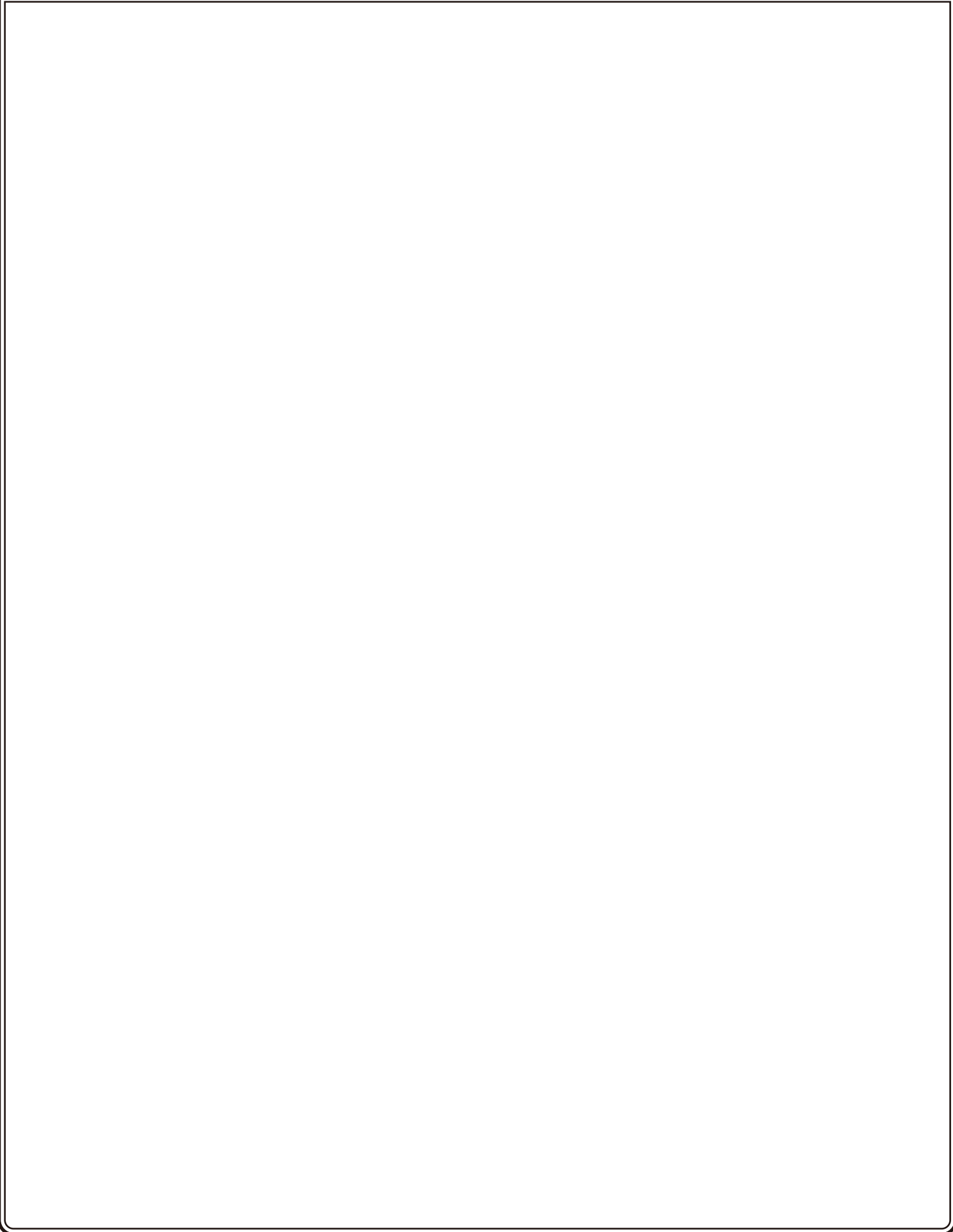


Body Assembly-4



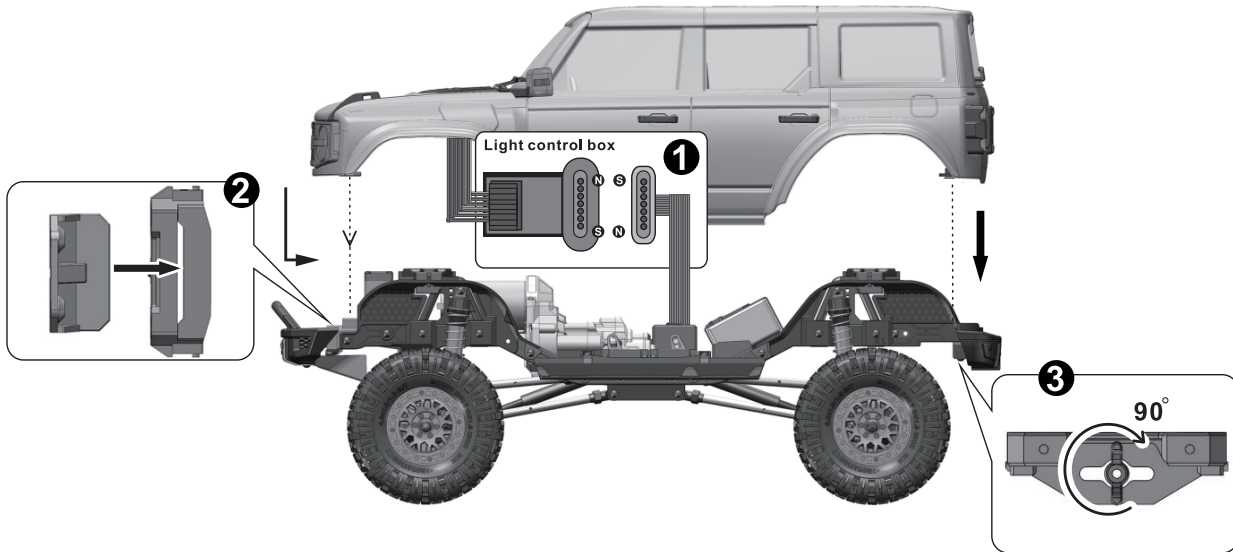
Body Assembly-5








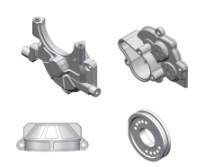
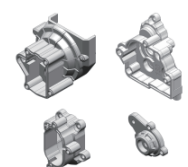















Body Assembly-6





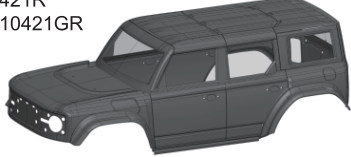

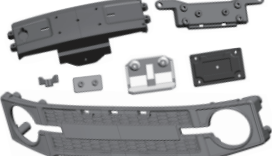



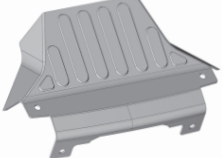



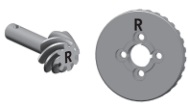

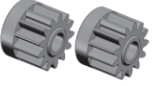
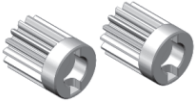

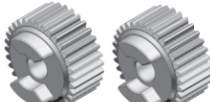


Spare Parts

FTX10400  F/R Bumper+Bumper Mount	FTX10401  Front Axle Box	FTX10402  Rear Axle Box	FTX10403  Steering Mount L/R	FTX10404  Suspension Connected Plate
FTX10405  transmission case A+E+F	FTX10406  transmission case C+B+D+G	FTX10407  Baffle A(L/R)(F/R)	FTX10408  Baffle B+Foot Pedal(L/R)	FTX10409  Gearbox Plate
FTX9152  Body Plates(F/R)	FTX10411  Battery Mount	FTX10412  Receiver Mount	FTX10413  Winch Servo Mount	FTX10414  Axle Servo Brace
FTX10415  Dig Servo Parts	FTX10280  Link Ends		FTX10417  Shock Repair Kit(completed car)	

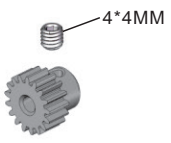



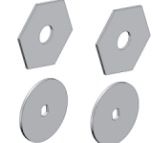
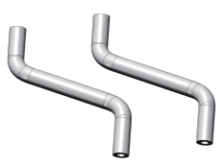




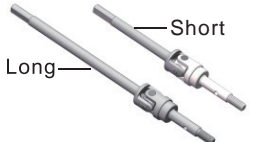


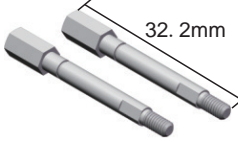
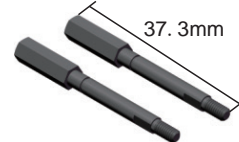






















PARTS LISTING

<p>FTX10418</p>  <p>Shock Absorbers</p>	<p>FTX9143BK</p>  <p>Wheel Rim(Matte Silver)</p>	<p>FAST1274T</p>  <p>Tire W/Foam (ϕ 110mm)</p>	<p>FAST1273T</p>  <p>Tire W/Foam (ϕ 120mm)</p>	<p>FTX10469</p>  <p>Wheel Complete L/R (ϕ 110mm)</p>	
<p>FTX9144</p>  <p>Wheel Complete L/R (ϕ 120mm)</p>	<p>FTX10419</p>  <p>Engine Cover Kit</p>	<p>FTX10420</p>  <p>Interior ornaments</p>	<p>PC Body</p> <p>FTX10421C FTX10421BL FTX10421R FTX1010421GR</p> 		
<p>Pre-Assembled PC Body</p> <p>FTX10422C FTX10422BL FTX10422R FTX1010422GR</p> 		<p>FTX10423</p>  <p>Body Accessories</p>	<p>FTX10424</p>  <p>Body Assembled Part</p>		
<p>FTX10425</p>  <p>Bodyshell Light Accessories Kit</p>		<p>FTX10426</p>  <p>stainless steel Chassis Rails</p>		<p>FTX10427</p>  <p>Bumper Guard</p>	
<p>FTX10428</p>  <p>Winch Mount</p>	<p>FTX10429</p>  <p>Servo Link 52.5mm</p>	<p>FTX10430</p>  <p>Link 64mm</p>	<p>FTX10431</p>  <p>Link 86.5mm</p>	<p>FTX10432</p>  <p>Link 90mm</p>	
<p>FTX10433</p>  <p>Steering Link 105mm</p>	<p>FTX10434</p>  <p>Crown Gear (64T)</p>	<p>FTX10435</p>  <p>Spiral Bevel Gear 8T+30T(F)</p>	<p>FTX10436</p>  <p>Spiral Bevel Gear 8T+30T(R)</p>	<p>FTX10293</p>  <p>Transmission Gear(9T)</p>	
<p>FTX10296</p>  <p>Transmission Gear(17T)</p>	<p>FTX10437</p>  <p>Transmission Gear(13T)</p>	<p>FTX10438</p>  <p>Gear(15T)</p>	<p>FTX10439</p>  <p>Gear(30T)</p>	<p>FTX10440</p>  <p>Gear(32T)</p>	




























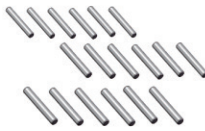



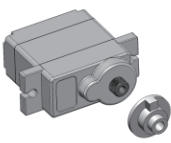
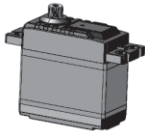
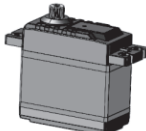



PARTS LISTING

FTX10441  Pinion Gear(21T)	FTX10298  Transmission Slider	FTX10299  Gear Stick	FTX10306  Spring	FTX10307  Slipper Spacer/Plate
FTX10444  Winch Tube	FTX10445  Drive Axle	FTX10446  Gear Shaft	FTX10447  Straight Shaft Holder	FTX10448  Rear Shaft
FTX10449  Joint Rotation Driveshaft	FTX10450  Transmission Axle	FTX10451  Torque limit shaft	FTX10452  Transmission Block Axle	FTX10453  Dig Block Axle
FTX10454  Dig Axle	FTX10455  Distributor Axle	FTBB12  Ball Bearing φ4*φ8*3	FTBB120  Ball Bearing φ5*φ10*4	FTBB11  Ball Bearing φ5*φ11*4
FTBB35  Ball Bearing φ7*φ14*3.5	FTBB36  Ball Bearing φ5*φ14*5	FTBB10  Ball Bearing φ10*φ15*4	FTX9184  Ball Stand φ5.9mm (Short)	FTX9185  Ball Stand φ5.9mm (Long)
FTX10456  Ball Stand φ5.8mm	FTX10457  Shock Balls	FASTM2BK  Nylon Nut M2	FASTM2.5BK  Nylon Nut M2.5	FASTM3BK  Nylon Nut M3
FTM4BKF  Flange M4 Lock Nut	FTX-SBH023  Button Head 2.5*8	FTX-SBH040  Button Head 3*4	FTX-SBH042  Button Head 3*6mm	FTX-SBH043  Button Head 3*8mm


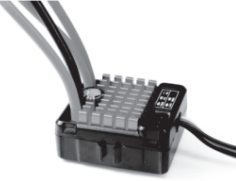






PARTS LISTING

FTX-SBH044  Button Head 3*10mm	FTX-SBH045  Button Head 3*12mm	FTX-SBH046  Button Head 3*14mm	FTX-SBH048  Button Head 3*16mm	FTX-SBH049  Button Head 3*18mm
FTX-SBH050  Button Head 3*20mm	FTX-SBH051  Button Head 3*22mm	FTX-SBH053  Button Head 3*25mm	FTX-SBH055  Button Head 3*28mm	FTX10355  Button Head Self-tapping 2*6mm
FTX10356  Step Screws 4*11.5mm	FTX-SCH002  Cap Head 2*5mm(Black)	FTX-SCH004  Cap Head 2*8mm	FTX-SCH030  Cap Head 2.5*18mm	FTX-SCH031  Cap Head 2.5*20mm
FTX-SFH004  Flat Head 2*8mm	FTX-SFH043  Flat Head 3*8mm	FTX9871  Flange Head Screws 3*4	FAST123A  Crub Screw Bolt 4*4mm	FTX10466  Crub Screw Bolt 3*20mm
FTX10354  Metal Washer $\phi 2.6 \times \phi 6 \times 0.5$	FTX10467  Metal Washer (3*7*0.8)	FTX10458  Gasket (5.1*6.5*3)	FTX9187  Gasket (5.2*6.5*2)	FTX10468  E-Clips- $\phi 2.3 \text{mm} \times 6 \text{P}$ E-Clips- $\phi 4 \text{mm} \times 6 \text{P}$
FTX10459  Wheel Hex.	FTX9218-9  King Pin Bushing	FTX10460  Pin -2*10mm*6P Pin -2*7.5mm*6P Pin -2*12mm*6P	FTX10461  clip kits (12pcs)	FTX10462  Winch Spool
FTX10463  Alloy Wire Clip Steel Wire+Wire Hook	FTX10471  Dig Servo 9G / 7.4V	ET0025-360  Winch Servo 25KG (360°)	ET0025  Steering Servo 25KG	FTX10315  Servo Horn (25T)



PARTS LISTING

 <p>Motor-550/6235</p>	 <p>ESC -60A</p>	 <p>Radio/Receiver X6DC</p>	 <p>Receiver</p>	 <p>Light set</p>
FTX10465				
 <p>Magnetic Adapter Cable</p>				

Option Parts

<p>FTX10481</p>  <p>Spare Tire Mount</p>	<p>FTX10482</p>  <p>Wheel Complete</p>	<p>FTX9920BK</p>  <p>Wheel (AL.)</p>	<p>FTX9921BK</p>  <p>Wheel (AL.)</p>	<p>FTX10483</p>  <p>Motor Mount (AL.)</p>
<p>FTX10484</p>  <p>Axle Servo Brace (AL.)</p>	<p>FTX10485</p>  <p>Gearbox Plate (AL.)</p>	<p>FTX10486 (COPPER)</p>  <p>Rear Axle L/R Housing Weight Set 80g</p>	<p>FTX10487 (COPPER)</p>  <p>Steering Mount L/R Housing Weight Set 108g</p>	<p>FTX10488 (COPPER)</p>  <p>Gear Boxlid Housing Weight Set 41g</p>
<p>FTX10489 (COPPER)</p>  <p>Steering Mount L/R Housing Weight Set 45.5g</p>	<p>FTX10480</p>  <p>9g/7.4v servo with metal gear</p>			

CENTAUR



www.ftx-rc.com



FTX is an exclusive brand of CML Distribution, Saxon House, Saxon Business Park,
Hanbury Road, Bromsgrove, Worcestershire, B60 4AD England.
E-mail: info@ftx-rc.com