

14+  
AGES



# SKYFLASH

HIGH PERFORMANCE

**RACING DRONE**



**USER MANUAL**

# INDEX

- 1.0 General Information
- 2.0 Product Contents
- 3.0 Safety Precautions
- 4.0 Safety Regulations
- 5.0 Remote Controller
  - 5.1 Inserting the batteries
  - 5.2 Remote Controller commands
  - 5.3 Binding the remote controller with the Skyflash
  - 5.4 Flying controls
  - 5.5 Trim/Regulating
    - 5.5.1 Manual trim
    - 5.5.2 Automatic trim/reset
  - 5.6 Speed selector
  - 5.7 App controller mode
- 6.0 FTX Skyflash pilot information
  - 6.1 Maintaining your FTX drone
  - 6.2 Electronic protection system
  - 6.3 Battery charging
    - 6.3.1 Battery Safety
  - 6.4 Flying time
  - 6.5 Acrobatic flight: Flip & Roll (360°)
  - 6.6 Headless mode function
  - 6.7 Return home function
  - 6.8 Replacing damaged rotor blades
  - 6.9 How to use the camera
    - 6.9.1 How to switch ON/OFF the camera
    - 6.9.2 Camera SD/HD
    - 6.9.3 Camera WiFi SD/HD
  - 7.0 List of components

## GENERAL INFORMATION

1.0

FTX accept no responsibility for any harm or damage caused to the product itself or thereby. The customer bears sole and exclusive responsibility for the appropriate use and handling thereof, including, without limitation, its assembly, charging process, use and even selection of the area of use. Please read the instructions for use and operation, it contains important information and advice.

### Attention!

In some countries it is essential to have a special insurance policy to cover aeromodelling. You will find more information about this at your local club or by contacting an insurance company.

### Declaration of Conformity

FTX hereby states that all models in the Skyflash range comply with all relevant EC regulations (in particular those stated below) and all of their products are compliant with the said directives.

- (R&TTE) Radio-electric equipment and telecommunications terminals 1995/5/CE.
- (RoHS) Restrictions on the use of certain hazardous substances in electrical and electronic devices 2011/65/EU.

## PRODUCT CONTENTS

2.0

- 1x - Skyflash
- 1x - 2.4 GHz Transmitter. 1x -Li-Po Battery.
- 1x – Charger (CE).
  
- 1x - Replacement rotors kit. 1x – User manual
- 1x Alternative body.
- 1x – Kit protection rings.

## SAFETY PRECAUTIONS

3.0

1. Read the user manual carefully before using the FTX Skyflash.
2. Do not fly your Skyflash near other people.
3. Keep all parts of the body away from the rotor rotors at all times when they are moving.
4. Never attempt to repair the electronic circuits as you could cause irreparable damage – they contain very delicate parts.

- 1- Keep all small parts out of the reach of children to prevent accidents.
- 2- The Skyflash is a powerful machine. You must move the left joystick slowly (the accelerator joystick) to ensure that it does not climb rapidly and cause a collision.
- 3- When you have finished flying, please remove the Li-Po battery from the Skyflash. Before you do, switch of the transmitter.
- 4- Do not expose the battery to high temperatures or sources of heat (fire, electronic devices, direct sunlight, etc.).
- 5- Bear in mind that the Skyflash must be flown at least 2-3 metres from the operator or from any other person that happens to be in the vicinity, to ensure that it cannot hit anybody in the head, face or body.
- 6- If children fly the aircraft they must be under the supervision of an adult at all times, who shall ensure that it is under control and within the field of vision, so that it can be handled easily.
- 7- Look for an open space that complies with relevant regulations, with no trees, buildings and/or other obstacles.
- 8- Never fly the aircraft near airports, railway lines or roads.
- 9- Keep at a safe distance from potentially dangerous areas and from specially-protected areas.
- 10- Please respect relevant regulations regarding the recycling of electrical/electronic materials and components when disposing of devices of this kind (transmitters, chargers, models, etc.). Please take them to a recycling centre to dispose of them.
- 11- If the Skyflash suffers an impact that results in any alteration of its flight characteristics, please stop using it immediately.
- 12- Remove the transmitter batteries if you are not going to use it for several days.
- 13- Do not touch the motor during or immediately after flight as it could result in burns.
- 14- Not recommended for persons under the age of 14 years. If used by children, they must be under the supervision of an adult at all times.
- 15- If you replace your Skyflash's rotors ensure that you fit them correctly.
- 16- Do not throw any part of this product in the bin. All of its component parts must be taken to the nearest recycling centre for disposal.

Specifications:

Signal type: 2.4 GHz

Batteries required for the transmitter: 4 x 1.5V "AAA" size batteries (not included)

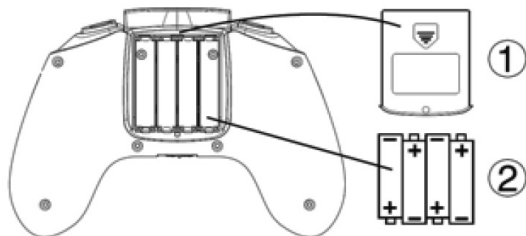
Range: 40-70 metres

Movement channels: 4

## INSERTING THE BATTERIES

5.1

To insert the batteries in the transmitter, remove the battery compartment cover and insert 4 "AA" size 1.5v batteries (not included) / paying special attention to their polarity to ensure that the transmitter operates correctly. You may need to use a screwdriver to open the rear cover.



### Recommendations:

Batteries must be fitted under the supervision of an adult.

Do not mix new batteries with used ones.

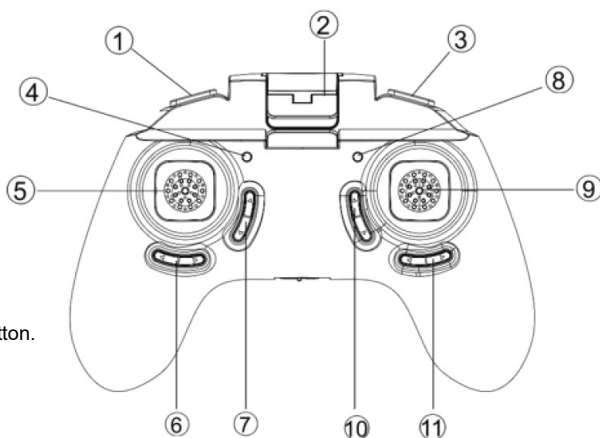
Do not mix batteries of different kinds.

## REMOTE CONTROLLER COMMANDS

5.2

To insert the batteries in the transmitter, remove the battery compartment cover and insert 4 "AA" size 1.5v batteries (not included) / paying special attention to their polarity to ensure that the transmitter operates correctly. You may need to use a screwdriver to open the rear cover.

1. Speed selector.
2. Smartphone holder.
3. Camera button.
4. Power LED.
5. Left control stick.
6. Manual Trim A.
7. Manual Trim B.
8. Camera LED.
9. Right control stick / Flip & Roll button.
10. Manual Trim C
11. Manual Trim D.



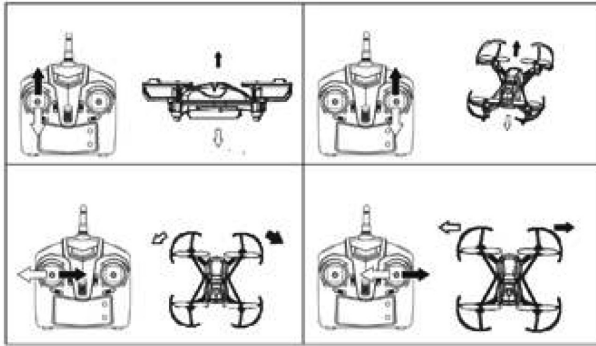
## BINDING THE REMOTE CONTROLLER WITH THE DRONE

5.3

1. Connect your Skyflash's battery, having first checked that it is correctly charged. If your model has an on/off switch, make sure it is in the ON position.
2. Place your Skyflash on a flat surface.
3. Pull the transmitter left control joystick downwards.
4. Turn on the transmitter.
5. Very slowly, move the left control joystick to its upper limit and then move it down slowly.

If you have followed these steps correctly, at the moment when the left control joystick returns to its starting position in the lower position, you will see that the LED light stops flashing. This tells you that the transmitter and your drone are now synched.

The left stick controls the ascent/descent and the rotation in both directions.  
 The right stick controls the forward/backward and left/right movement in both directions.



## TRIM / REGULATING

## 5.5

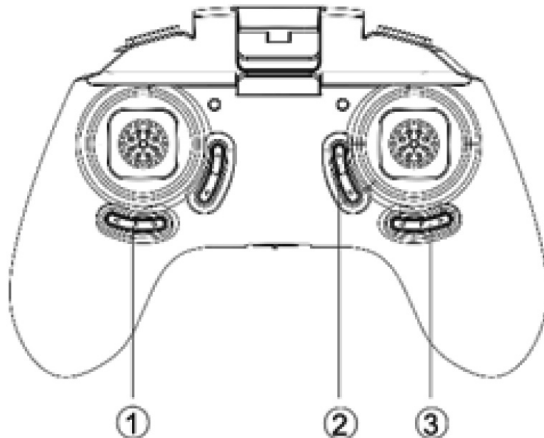
To ensure that your Skyflash can fly straight and level, you need to trim the aircraft. This can be done either manually or automatically.

### MANUAL TRIM

### 5.5.1

The manual trim allows calibration of the movement channels of the Skyflash so that both takeoff and in-flight characteristics remain stable.

- (1) Trim: these buttons will correct the rotation, where the Skyflash turns on it's axis, press the Trim A in the opposite direction to the rotation of the drone until it stops.
- (2) Trim C: these buttons will correct involuntary forward/backward movement of the Skyflash, again by pressing button C Trim in the opposite direction to the movement until the model remains still.
- (3) Trim D: these buttons will correct unintentional left/right movement of the Skyflash by pressing button D Trim in the opposite direction to the movement until the model remains still.



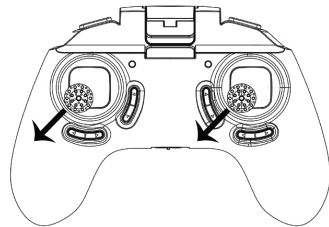
The X-Drone is equipped with an auto-trim system whereby its default settings can be restored, allowing the aircraft to fly in an accurate and level manner.

#### When must we use this function?

- If the aircraft has taken an impact and as a result its Gyroscope/Electronic stabilizer is off-kilter.
- If you have transported the aircraft from one place to another.
- If your X-DRONE does not maintain its fixed position when hovering.

Automatic trim: To return the transmitter to its original default setting press and hold down the “automatic trim” button, located in the upper left section of the transmitter while turning the on/off switch to the ON position. This function can be carried out regardless of whether the Skyflash and transmitter have previously been synched/linked.

As you can see, when both joysticks are moved to the reset position the lights on the drone will start to flash rapidly, which means that the reset process is being carried out, once 10 seconds have elapsed, return both joysticks their initial position, at that time the lights on the Skyflash will stop flashing, which means that the reset has completed successfully.



## SPEED SELECTOR

### 5.6

The Skyflash has 4 programmable speeds:

Press the speed selector (1) to switch between the different speeds.

When you hear a “beep” the model will be in the slow mode.

When you hear two “beeps” the model will be in the intermediate speed mode.

When you hear three “beeps” the model will be in the fast speed mode.

When you hear a continuous “beep” the model will be in fast/acrobatic speed mode.

## APP CONTROLLER MODE

### 5.7

Now you can control your Skyflash from your Smartphone thanks to the new FTX FPV App. This option is available only for versions equipped with WiFi SD/HD camera.



To activate control APP mode, you must follow the following steps:

1. Connect your Skyflash battery and place it on a horizontal surface.
2. Switch on the transmitter.
3. Be sure the camera is turned on.
4. Access the menu of your Smartphone WiFi networks.
5. Select the Wifi network that has been generated by your Skyflash and make sure it is connected properly.
6. Once the connection has been made, access you're the FTX App.

If the connection is made successfully, once you press PLAY, you should receive the live images.

In case of not receiving the signal, disconnect your Skyflash, restart your WiFi connection and repeat the process again.

## FTX SKYFLASH PILOT INFORMATION

6.0

In this section of the user manual, we will explain all of the aspects relating to your Skyflash such as battery charging, flight time, precautions for correct use of batteries, safety protection systems, how to change a rotor blade on your Skyflash and more important information for its correct use and handling.

## MAINTAINING YOUR FTX DRONE

6.1

1. Clean the Skyflash with a clean, soft cloth.
2. Do not immerse the Skyflash in water, or the electrical parts will be damaged.
3. Check the component parts of the Skyflash regularly, such as rotor blades, the chassis, motors, etc. If any of them are damaged or worn, please do not use it again until it has been repaired.
4. Carry out an automatic trim and reset regularly.
5. Depending on the rone model you have purchased, if it has gears, we recommend that you lubricate them with a silicon-based lubricant fairly regularly, as in this way you will extend the useful life of the gears.
6. Check the Skyflash's battery charge regularly. If you are not going to use it for a while, ensure that it is charged and never store it after having discharged it.

## ELECTRONIC PROTECTION SYSTEM

6.2

Low-voltage protection: The Skyflash is equipped with a system whereby, when the Skyflash battery level is low, the control system will cut the power supply to the rotors. In this case, the battery will have to be recharged to resume flying.

## BATTERY CHARGING

6.3

Charging with the USB:

- Remove the battery from the compartment on the underside of the Skyflash.
- Connect the USB charger terminal to the power supply you want to use.
- Once connected at both ends, a red LED will light on the USB charger that indicates that the Skyflash is on charge. When this light goes out the charging process is complete.
- The charge time will depend on the how much the battery is charged. If a USB terminal is used, the output power level of the power supply to which the USB terminal is connected (in Amps) will also have an influence on the time it takes to charge.



Replace the battery in the cavity of the Skyflash once charged.

The FTX Skyflash is equipped with a rechargeable Li-Po battery.

Do not use or leave the battery near a fire or source of heat.

Do not hit, throw or drop the battery on any hard surface.

Do not immerse the battery in water; keep it in a dry, cool place at all times.

When charged, the battery must be checked regularly.

Do not overcharge the battery.

Do not connect the battery to power outlet with a different voltage.

Do not damage or pierce the battery with any sharp object.

Do not join the battery or lead to any metal object of any kind.

Never charge the battery for more than one hour.

Never throw batteries into a fire or incandescent flame.

The battery must be charged under the supervision of an adult.

If you are going to store a battery for a long period do so with an intermediate level of charge, neither completely charged nor uncharged.

When the battery is in storage, check the charge level regularly in order to ensure that it does not become completely discharged and damaged.

Use only the charger included in the contents of this product.

Never leave the battery unsupervised while it is charging.

If, due to any fault, the charger does not stop charging, the battery could catch fire. Therefore, monitor the charging process.

Rapid charges cannot be used. The batteries' charge voltage must be respected.

Batteries must be stored when they are between semi- and fully- charged. If stored when empty they will be damaged. For this reason, new batteries are always semi-charged.

Always dispose of batteries in accordance with local regulations.

Your Skyflash's flight time may vary depending on a range of factors:

- The battery charge level.
- The speed at which you fly your aircraft.
- If your drone comes with the option of switching from the internal to external body, as the former is generally heavier than the latter.
- The wind speed to which the aircraft is subjected.

As a general rule, with the original configuration of the aircraft and with the battery fully charged, we can expect a continuous hovering flight time of 6-9 minutes, which may increase or decrease depending on the factors mentioned above.



## ACROBATIC FLIGHT: FLIP & ROLL (360°)

6.5

Once you have experience at flying of the FTX Skyflash you can continue to make progress and begin performing amazing Flips & Rolls.

To perform a Flip & Roll in any of the speeds you can press the right control stick and then move it in any of the four directions to perform a Flip & Roll in this direction.

Your Skyflash has a fourth speed with which it is not necessary to press stunts to perform a Flip & Roll manoeuvre.

To select it press the speed switch 3 times from the original configuration, so that the Skyflash starts to play a beep indicating that is in the fast/acrobatic mode.

Once selected only you must quickly shift the right control stick to any direction to perform a Flip & Roll.

**Note:** it is not recommended to perform Flip & Roll close to objects or persons.

## HEADLESS MODE FUNCTION

6.6

The Skyflash comes equipped with a help of a flight aid based on the technology of the Compass, which can be enabled or disabled depending on the need. The function of this aid is to allow the setting of the forward direction of your Skyflash from a fixed point. Preferably this function must be activated before take-off so that the forward direction is set correctly.

### How to know which is the forward direction?

The forward direction will be fixed when we switch on the headless mode function and this will be fixed into the Skyflash from this moment. For example, if the Skyflash is pointing north when we activate the headless mode, this direction will be the forward direction at any time provided we do not deactivate the headless mode whilst in flight.

### How to activate the headless mode?

You must hold for 3 seconds the button "Speed selector", then you will hear one "beep", now the headless mode is activated.

To disable it, the process is exactly the same, keep pressing the same button during the same interval of time until you hear the beep stop intermittently.

To reset the forward direction and set a new one you only have to reboot your Skyflash disconnecting the battery and reconnecting it.

## RETURN HOME FUNCTION

6.7

The return home function is an aid of flight that is to return our Skyflash in the backward direction that was set initially.

### How to activate the return home function?

Press down button Trim B and the Skyflash begins to move in the backward direction that was set at the time of takeoff.

To disable the return home function, you will only have to perform any movement with the right control stick.

**Note:** is not recommended to use this flight mode until you have enough experience to control your X-Drone in regular mode.

## REPLACING DAMAGED ROTOR BLADES

6.8

To replace rotor blades on your FTX Skyflash you must follow the following instructions:

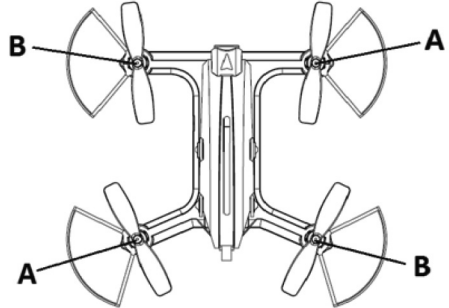
Your Skyflash has 4 rotors, 2 of which turn clockwise (A) and the other two anti-clockwise (B).

These two types of rotors use blades of opposite types since each of the two pairs of blades is designed to work in a different direction of turn.

The kit includes in its original packaging 4 replacement blades, two type (A) and two type (B).

If one of the blades is damaged following an impact, you must replace it by removing the damaged blade and replacing it with a new blade of the same type, otherwise your drone will not be able to fly properly.

If you need spare blades for your Skyflash, please contact your nearest dealer.



## HOW TO USE THE CAMERA

6.9

Depending on the model of FTX drone purchased this will come equipped with camera or not. If you have purchased one of the versions with built-in camera, here you will learn how to use it.

### HOW TO SWITCH ON / OFF THE CAMERA

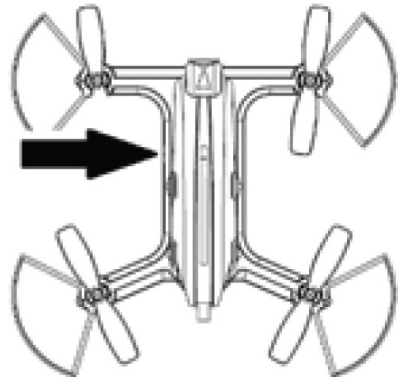
6.9.1

The Skyflash has a specific switch that you can turn on and off the camera, regardless of the model you have purchased.

With this function you can disable the camera when you don't want to take pictures or record videos in order to increase the flight time of your Skyflash. The following image shows where the switch is located.

By moving the switch forward you will cut the power of the camera and to switch on you must move it back.

You will know if the camera is switched on if the LED camera is blinking, if not, you must change the position of the switch.



To take a picture momentarily press the button (3) camera button, a momentary led lighting system flashing indicate you that photography was successful.

To start recording a video, press and hold the camera button (3) for 3 seconds, led lighting system will start to blink continuously during the recording of the video.

To finish the recording back to hold the camera control button (3), doing this the lighting system will stop flashing.

#### SD Camera:

-Carefully remove the Micro SD card from the camera.

-Use Pen Drive adapter included in the box, insert the Micro SD card in the device, make sure that you inserted correctly to avoid possible damage to both components.

- Open "My PC / Devices" and you will see that a new storage device has been recognized.

- Open the device and you will see one folder for videos and another folder for photos.

- The photos and videos will be stored on the Micro SD card.

-The photos will be saved in JPG format and the videos as AVI files. If your computer is unable to open or play these standard formats, you will have to convert the files or download alternative software.

- Any additional software that you need to download will be on your own responsibility.

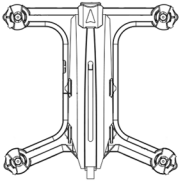
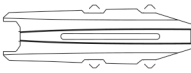
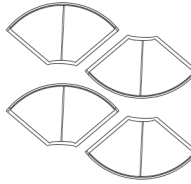

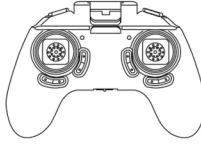
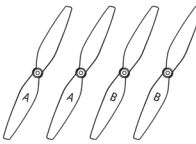
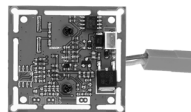

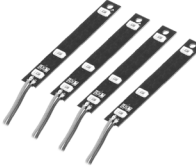


To make photos and videos with your WiFi SD/HD camera from the FTX FPV application you must follow these instructions.



1. Download the FTX App.
2. Once the application is downloaded turn on your Skyflash.
3. Synchronize with your transmitter if you want to fly using it, otherwise skip to the next step.
4. Access the menu of your Smartphone WiFi network and connect to the WiFi network generated by the drone.
5. Once connected, open the FTX App and press the PLAY button, if the connection is successful you should view the real-time image of the Skyflash on your smartphone screen.

You will find two logos in the interface of the application, one for taking pictures and one for recording videos.

The photos and videos will be stored on the mobile device. If you have Micro SD card compartment and being installed in it, also they will be stored in the Micro SD card.

 <p><b>FTX0505</b> Body</p>	 <p><b>FTX0506B (blue)</b> <b>FTX0506R (red)</b> Canopy</p>	 <p><b>FTX0507</b> Protection Guards</p>	 <p><b>FTX0508</b> Battery</p>
 <p><b>FTX0509</b> Transmitter</p>	 <p><b>FTX0510</b> Blades</p>	 <p><b>FTX0511</b> PCB Main Board</p>	 <p><b>FTX0512</b> Motors</p>
 <p><b>FTX0513</b> LED Lights</p>	 <p><b>FTX0514</b> Charger</p>	 <p><b>FTX0515</b> Camera</p>	

You can download our control apps by using the QR codes below.

iOS

Android

Android (China)

