

# Quick Start Guide 快速操作指南

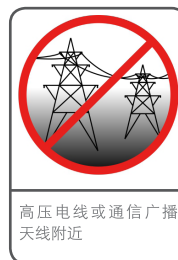


感谢您购买我们的产品！欲知更多信息，请浏览以下官方网站：[www.flysky-cn.com](http://www.flysky-cn.com)。如果您在使用中遇到任何问题，请先查阅发射机帮助菜单或使用说明书。如果问题仍未得到解决，请直接联系当地经销商或者联系客服人员：[flyskycn@flysky-cn.net](mailto:flyskycn@flysky-cn.net)。

## 注意事项！

开始操作前请务必阅读以下安全信息！

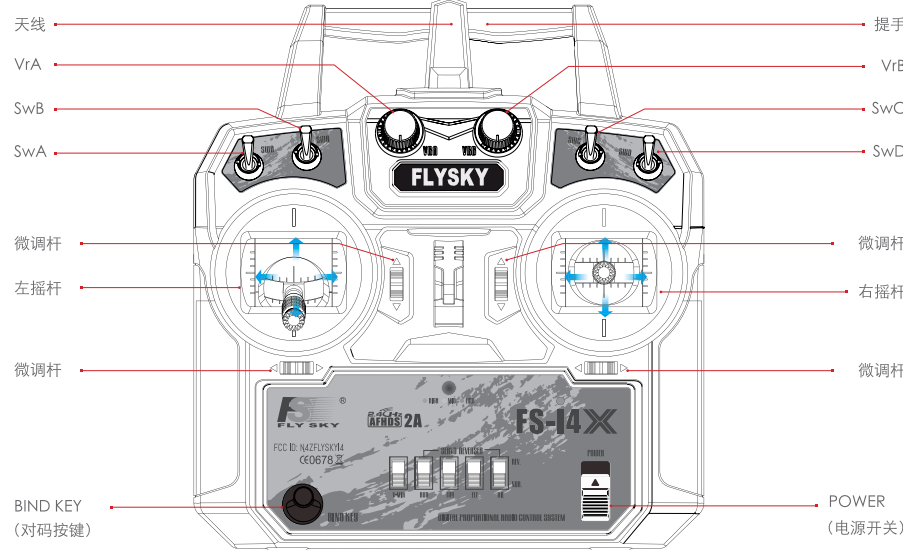
- 请不要在夜晚或雷雨天气使用本产品，恶劣的天气环境有可能导致遥控设备失灵。
- 请不要在能见度有限的情况下使用本产品。
- 请不要在雨雪或有水的地方使用本产品。如果有液体进入到系统内部，可能会导致运行不稳定或设备失灵。
- 信号干扰可能导致设备失控。为保证您和他人的安全，请不要在以下地点使用本产品：



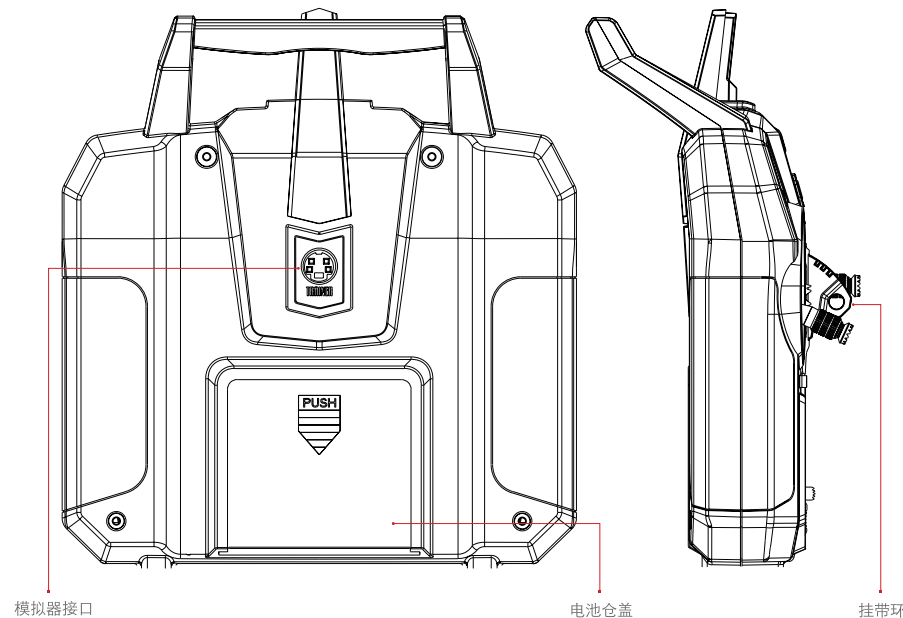
- 当你感到疲倦、不舒服，或在摄入酒精或导致麻醉或兴奋的药物后，不要操作本产品，否则可能对自己或他人造成严重的伤害。
- 2.4GHz 无线电波段完全不同于之前所使用的低频无线电波段。使用时请确保模型产品在您的视线范围内飞行，大的障碍物将会阻断无线电频率信号从而导致遥控失灵模型失控。
- 在使用过程中，严禁紧握发射机天线，否则将会大大减弱无线电传播信号的质量和强度，导致遥控失灵模型失控。
- 在操作或使用模型后，请勿触摸任何可能发热的部位，如发动机、电机、定速设定等。这些部件可能非常热，容易造成严重的烧伤。
- 遥控设备使用不恰当可能导致操作者或他人严重受伤，甚至死亡。为保证您和设备的安全，请仔细阅读使用说明书并按照要求进行操作。
- 使用前必须确保本产品与模型安装正确，否则可能导致模型发生严重损坏。
- 关闭时，请务必先关闭接收机电源，然后关闭发射机。如果关闭发射机电源时接收机仍然在工作，将有可能导致遥控设备失控或者引擎继续工作而引发事故。
- 操控时，请先确认模型所有舵机的动作方向与操控方向一致。如果不一致，请调整好正确的方向。
- 当遥控距离持续较远时，有发生失控的可能。请适当缩短遥控的距离。
- 安装发射机的天线必须提供距离所有人员至少 20 厘米的间隔距离，不能与其他发射机并置或操作。必须将天线安装说明和满足射频讯号辐射的发射机操作条件提供给终端用户和安装人员。
- 特此，【Flysky Technology co., Ltd】声明无线电设备【FS-i4X】符合 RED2014/53/EU。
- 欧盟 DoC 声明全文可在以下互联网地址：[www.flysky-cn.com](http://www.flysky-cn.com) 获取。

## 发射机概览

### ► 前视图：



### ► 后视图：



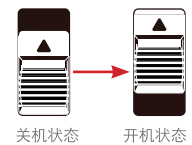
## 基本操作

### ► 电池安装

1. 打开电池仓盖。
2. 将 4 个电量充足的 AA 电池装入电池仓内，确保电池上的金属端子与电池仓内的金属端子相接。
3. 盖好电池仓盖。

### ► 开机

1. 检查系统状态，确保电池有电以及接收机未开机并且安装正确。
2. 向上拨动电源开关，当发射机上的状态指示灯显示绿色时，表示已开机。
3. 为接收机连接电源。



⚠ 此时系统已启动，请谨慎操作，否则可能导致产品损坏或人员伤亡。

### ► 关机

1. 断开接收机电源。
2. 将发射机电源开关向下拨动，发射机指示灯变熄灭后表示发射机电源关闭。

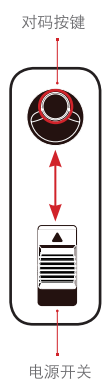
⚠ 关闭前，请务必先断开接收机电源，然后关闭发射机。如果强行关闭发射机，将有可能导致遥控设备失控或者引擎继续工作而引发事故。

### ► 对码

本发射机和接收机在出厂前已对码成功。如果您要使用其他的发射机或接收机，请按照如下步骤进行对码：

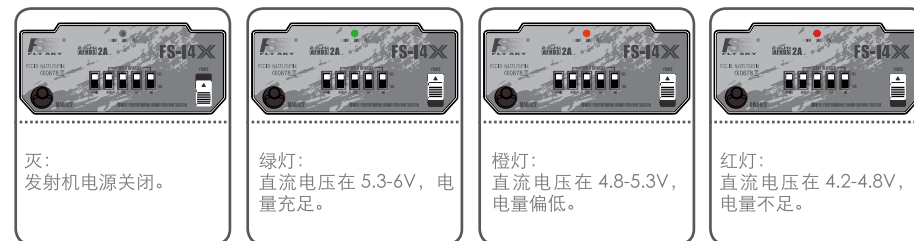
1. 将对码线连接到接收机上的 BAT 接口。
2. 将电源线连接到接收机上任意其它接口，接收机指示灯开始快速闪烁，表示接收机进入对码状态。
3. 长按发射机对码按键并向上拨动发射机电源开关，发射机状态指示灯快速闪烁，表示发射机进入对码状态。
  - 当接收机停止快闪变为慢闪状态时表示接收机退出对码状态。
4. 关闭发射机并重新开启。
  - 将对码线和电源线从接收机上断开，然后将电源线连接到 BAT 接口。
  - 当发射机与接收机对码成功后，接收机的状态指示灯变为常亮。
5. 打开发射机，检查发射机和模型是否正常工作。如有异常，重复以上步骤重新对码。

⚠ 此步骤仅适用于与 FS-A6 接收机对码，不同的接收机对码操作步骤与对码状态可能不同。



## ► 状态指示灯

状态指示灯用于指示发射机的电源以及工作状态。



## 规格参数

通道个数	4-10(默认 4 个通道)
适合机种	固定翼 / 滑翔机 / 直升机
频率范围	2.4055-2.475GHz
发射机功率	<20dBm
波段个数	140 个
波段宽度	500KHz
2.4GHz 模式	AFHDS 2A / AFHDS
调制方式	GFSK
摇杆分辨率	1024
低电压报警	低于 4.2V
数据输出	PS/2 接口
充电接口	无
天线长度	26mm (单天线)
机身重量	323 g
输入电源	6V DC 1.5AA*4
显示方式	LED 指示
外形尺寸	174x89x190mm
在线更新	无
外形颜色	黑色
认证	CE, FCC ID:N4ZFLYSKYI4



Thank you for purchasing our product! To find out more about our products, visit our website at [www.flysky-cn.com](http://www.flysky-cn.com). If you encounter any problem during use, refer to the transmitter's on-board help files or instruction manual first. If the problem persists, contact your local dealer or visit our service for help: [flyskyrc@flysky-cn.net](mailto:flyskyrc@flysky-cn.net)

### Precautions !

Read the safety messages listed below before operation!

- Do not use the product at night or during bad weather conditions, like rain or thunderstorms. It can cause erratic operation or loss of control.
- Do not use the product when visibility is limited.
- Do not use the product in rain or snow. Any exposure to moisture (water or snow) may cause erratic operation or loss of control.
- Interference may cause loss of control. To ensure the safety of you and others, do not operate in the following places:



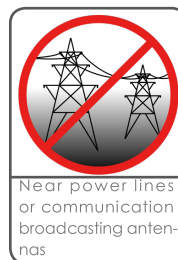
Near any site where other radio control activity may occur



Near people or roads



On any pond/lake when passenger boats are present

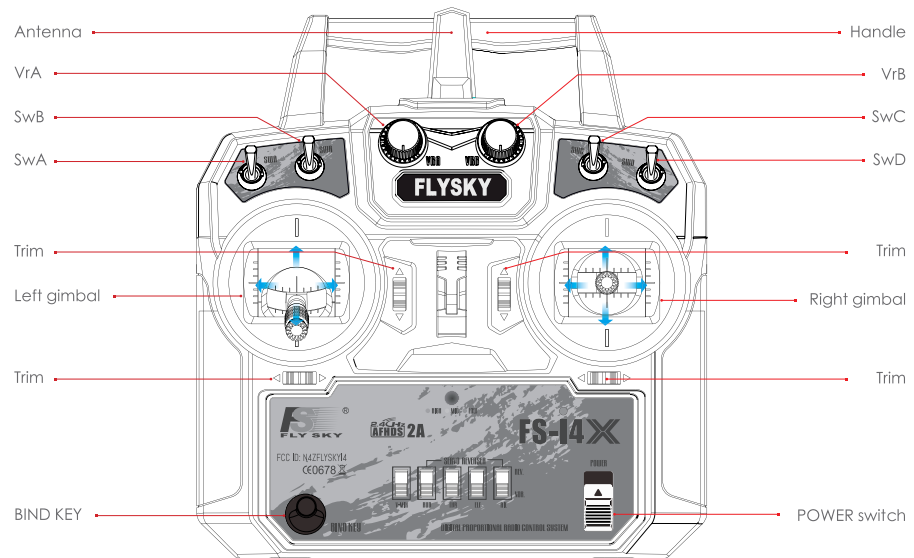


Near power lines or communication broadcasting antennas

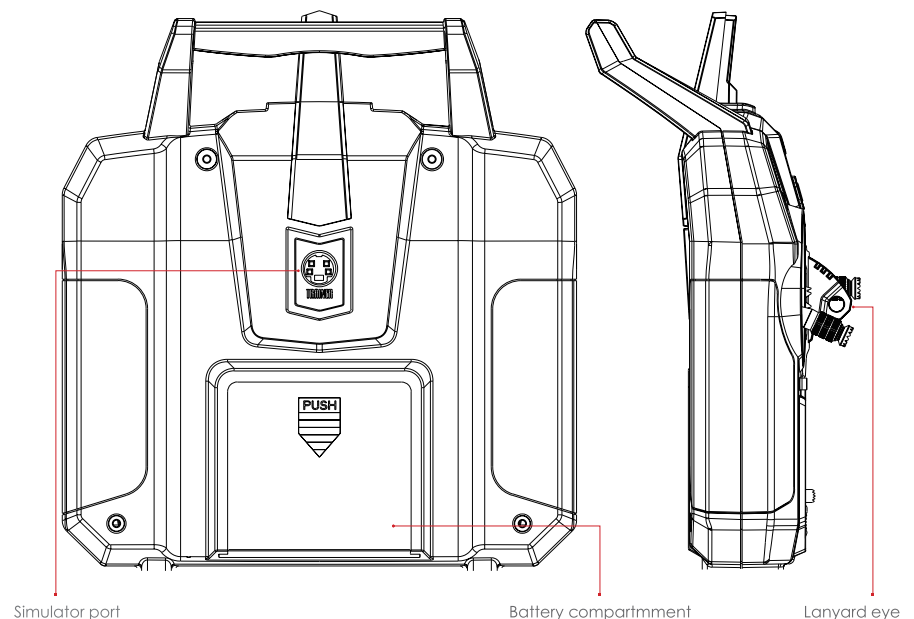
- Do not use this product when you are tired, uncomfortable, or under the influence of alcohol or drugs. Doing so may cause serious injury to yourself or others.
- The 2.4GHz radio band is limited to line of sight. Always keep your model in sight as a large object can block the RF signal and lead to loss of control.
- Never grip the transmitter antenna during operation. It significantly degrades signal quality and strength and may cause loss of control.
- Do not touch any part of the model that may generate heat during operation, or immediately after use. The engine, motor or speed control, may be very hot and can cause serious burns.
- Misuse of this product may lead to serious injury or death. To ensure the safety of you and your equipment, read this manual and follow the instructions.
- Make sure the product is properly installed in your model. Failure to do so may result in serious injury.
- Make sure to disconnect the receiver battery before turning off the transmitter. Failure to do so may lead to unintended operation and cause an accident.
- Ensure that all motors operate in the correct direction. If not, adjust the direction first.
- Make sure the model stays within the transmitters range. Otherwise, it would cause loss of control.
- The antenna(s) used for this transmitter must be installed to provide a separation distance of at least 20 cm from all persons and must not be co-located or operating in conjunction with any other transmitter. End-users and installers must be provided with antenna installation instructions and transmitter operating conditions for satisfying RF exposure compliance.
- Hereby, [Flysky Technology co., Ltd] declares that the Radio Equipment [FS-i4X] is in compliance with RED 2014/53/EU.
- The full text of the EU DoC is available at the following internet address: [www.flysky-cn.com](http://www.flysky-cn.com)

### Transmitter Overview

#### ► Front view:



#### ► Rear view:



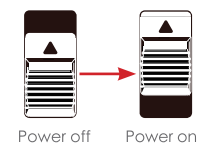
### Basic Operation

#### ► Battery Installation

- Remove the battery compartment cover.
- Insert 4 fully-charged AA batteries into the compartment. Make sure that the batteries make good contact with the battery compartments' contacts with the correct polarity.
- Replace the battery compartment cover.

#### ► Power On

- Make sure that the receiver is powered off, correctly installed and the battery is fully charged.
- Toggle the transmitter's power switch to its on position.
- Connect the receivers' power supply.



⚠ Misuse of this product may lead to serious injury or death.

#### ► Power Off

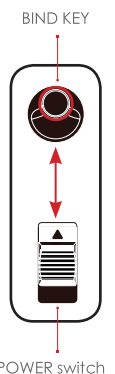
- Disconnect the receiver's power.
- Toggle the transmitter's power switch to its off position.

⚠ Make sure to disconnect the receiver's power before turning off the transmitter. If you turn off the transmitter forcefully, it may lead to unintended operation and cause an accident.

#### ► Bind with Receiver

The transmitter and receiver have been pre-bound before delivery. If you are using another transmitter or receiver, follow the steps below to bind the transmitter and receiver:

- Connect the supplied bind cable to the BAT port on the receiver.
- Insert power into any other part. If the receiver has successfully entered bind mode the LED will begin flashing quickly.
- Hold the bind key while powering on the transmitter to enter bind mode.
  - If the LED on the receiver starts flashing slowly it means that the receiver has exited bind mode.
- Turn the transmitter off and on again.
- Remove the power and bind cable from the receiver. Then connect the power cable to the BAT port.
  - If the TX and RX have successfully bound, the RX's LED will be solid red.
- Check to make sure the servos operate as expected. If anything does not work as expected, restart this procedure from the beginning.

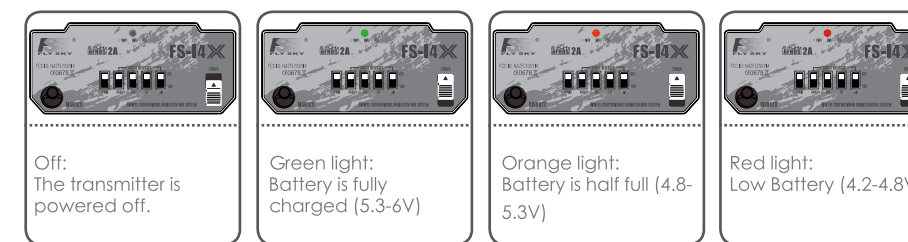


⚠ This procedure only applies to the FS-A6 receiver, different receivers may require different steps to complete the binding process.

### Digital Proportional Radio Control System FS-i4X

#### ► Status Indicator

The status indicator displays the transmitters power level and status.



### Specifications

Channels	4 - 10 (Default 4)
Model type	Fixed-Wing/Glider/Helicopter
RF range	2.4055-2.475GHz
RF power	Less than 20 dBm
RF channel	140
Bandwidth	500 KHz
2.4GHz system	AFHDS 2A and AFHDS
Modulation type	GFSK
Stick resolution	1024
Low voltage alarm	lower than 4.2V
DSC port	PS/2 Port
Power input	6V DC 1.5AA*4
chargeable	None
Antenna length	26 mm
Weight	323g
Power	6V DC 1.5AA*4
Size (Length x Width x Height)	174 x 89 x 190mm
On-line update	None
Color	Black
Certificate	CE, FCC ID:N4ZFLYSKYI4



### Digital Proportional Radio Control System

CE FCC ID : N4ZFLYSKYI4  
[www.flysky-cn.com](http://www.flysky-cn.com)  
 Copyright © 2016-2017 Flysky Technology co., Ltd  
 Release date: 2017-07-13