

GATE 01 STEALTH X: BUILD CONFIGURATION: MOTOR MOUNT FACING REAR (STOCK)



OVERDRIVE:

Overdrive is a scenario where the front and rear wheels do not rotate at the same speed. The Stealth X gearbox is designed to allow the front wheels to spin faster than the rear wheels. Overdrive is advantageous when climbing up rock faces because the front tires will want to pull the vehicle up the rock. On descents, the rear tires rotating slower than the front tires will help keep the chassis more stable and keep the rear tires planted on the ground.

Stealth X:

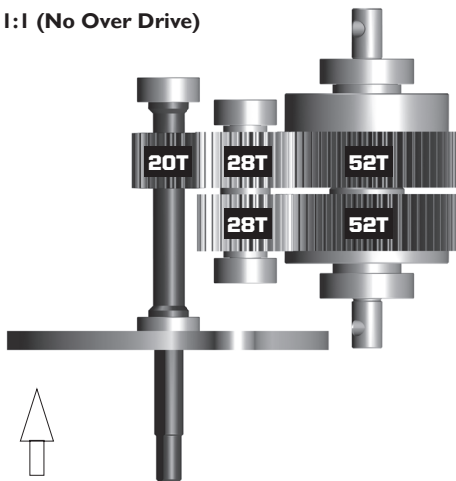
The Stealth X gearbox allows the driver to change the front to rear drive ratios with 3 separate ratio adjustments to the rear drive shaft. The driver has the option to flip the gearbox direction (motor mount facing the front) the optional inverse top shaft (#42024) is required.

Please Note:

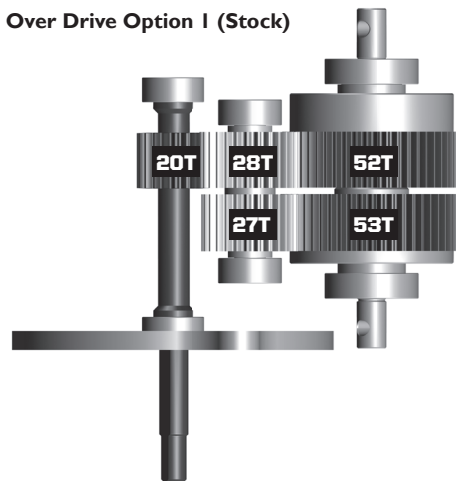
The 20T top shaft, 28T idler gear, and 52T drive gear will always be meshed together in all 6 gearbox configurations.

GATE 02 STEALTH X: BUILD CONFIGURATION: MOTOR MOUNT FACING REAR (STOCK)

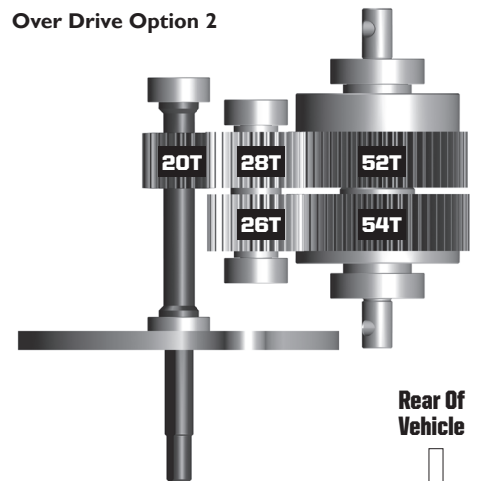
1:1 (No Over Drive)



Over Drive Option 1 (Stock)



Over Drive Option 2

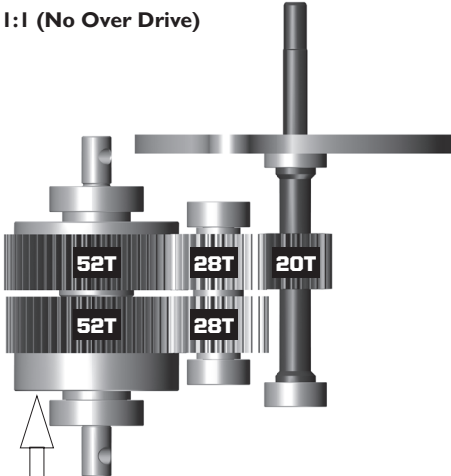


Front Of Vehicle

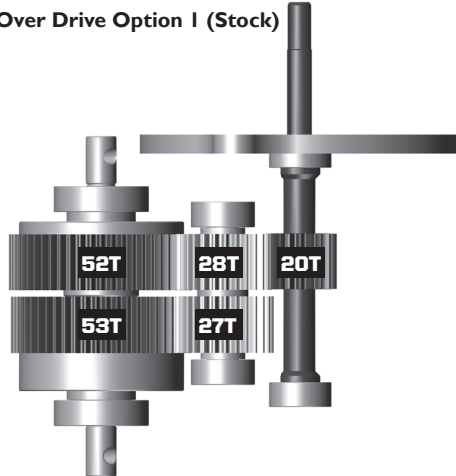
Rear Of Vehicle

GATE 03 STEALTH X: BUILD CONFIGURATION: MOTOR MOUNT FACING FRONT (OPTIONAL - REQUIRES #42024 - TOP SHAFT)

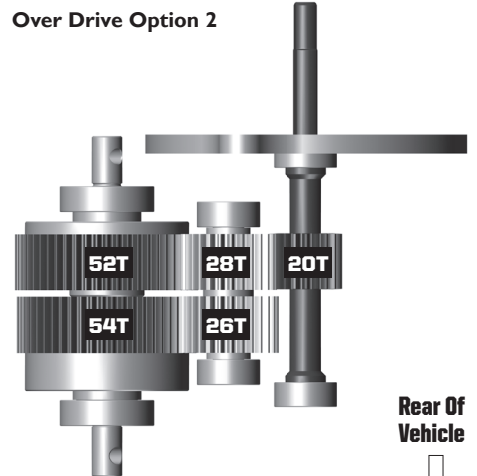
1:1 (No Over Drive)



Over Drive Option 1 (Stock)



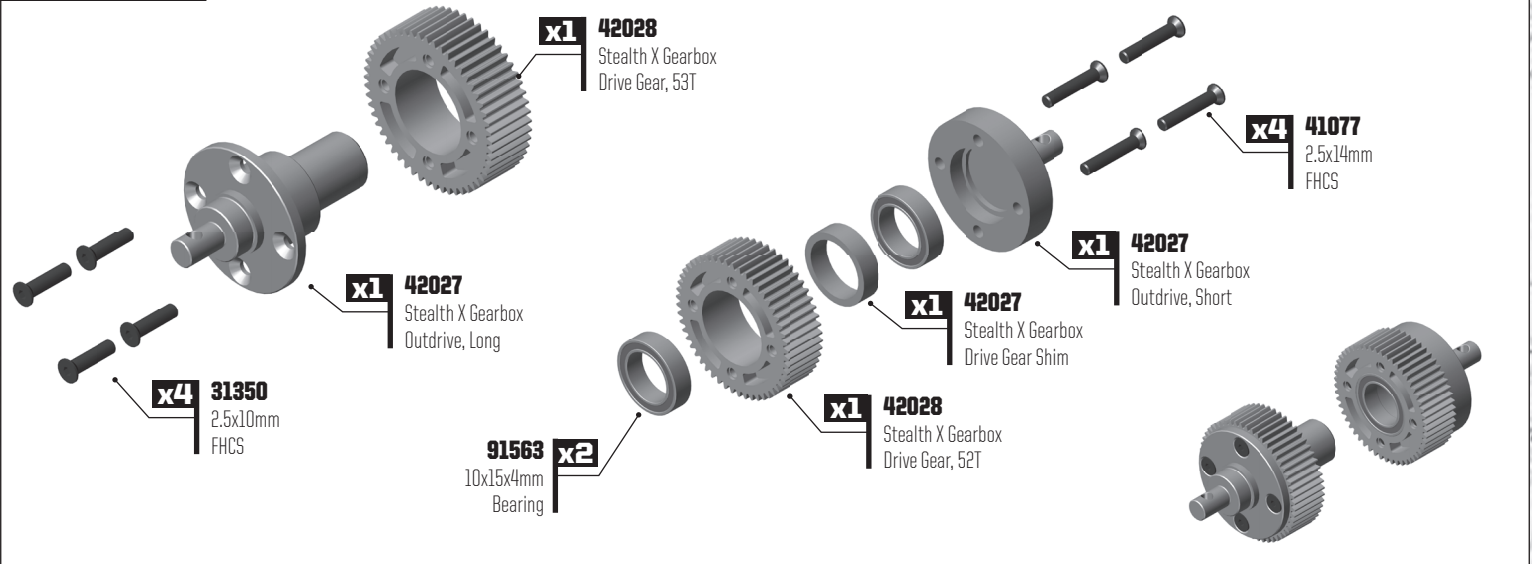
Over Drive Option 2



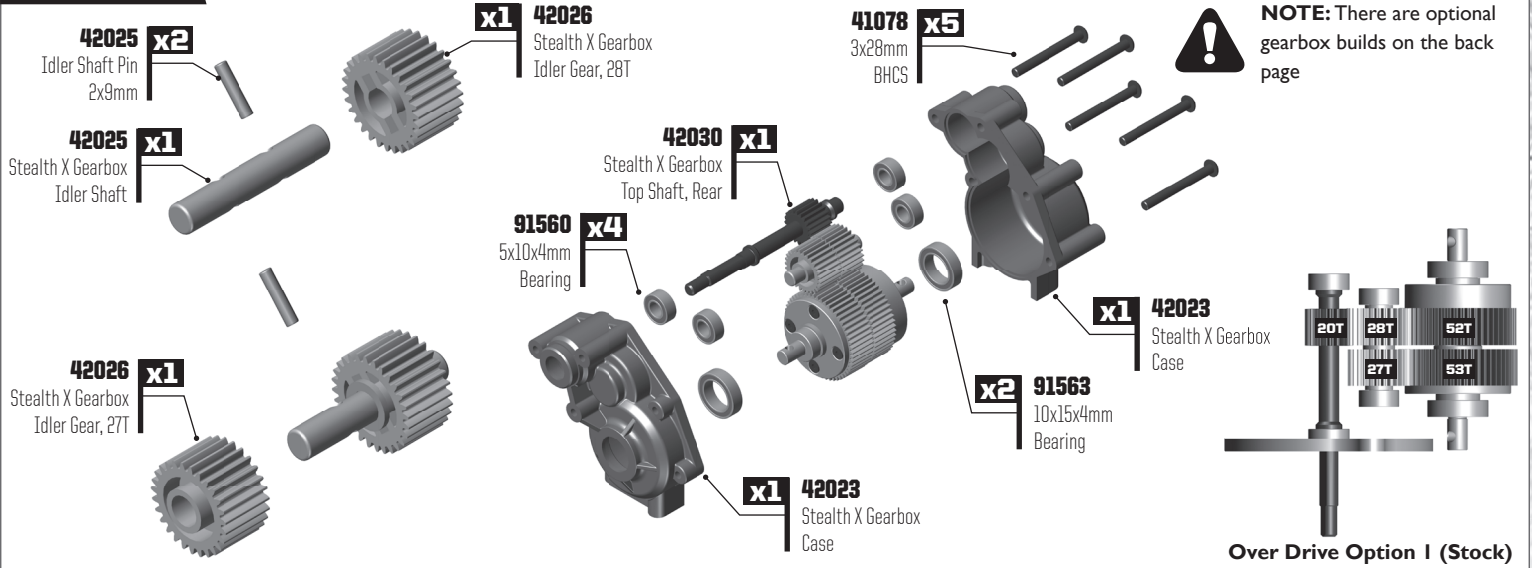
Front Of Vehicle

Rear Of Vehicle

GATE 01 GEARBOX BUILD



GATE 02 GEARBOX BUILD



GATE 03 GEARBOX BUILD

