

Front Suspension:

RESET

Ride Height:	15mm
Camber:	1.5 deg
Toe:	0
Anti-Roll Bar:	1.7mm
Arm Type:	kit
Tower Type:	Composite kit
Wheelbase Shim:	Arm Back
Wheel Hex:	5mm
Caster Block:	8° <input type="checkbox"/> 9° <input checked="" type="checkbox"/> 10° <input type="checkbox"/>
Chassis Brace Support:	GRP
Top Plate Brace:	N/a
Front Axles:	CVA <input checked="" type="checkbox"/> DCV <input type="checkbox"/>
Notes:	Hall Brothers RC steering plates

Front Chassis Brace Screws:



Steering Rack:



Axle Height: +3 +2 +1 0

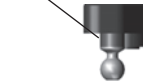
Ball Stud Spacing: 0

Steering Plate: HALL BROTHERS RC

Arm Mount A:



Ball Stud Spacing: 3mm



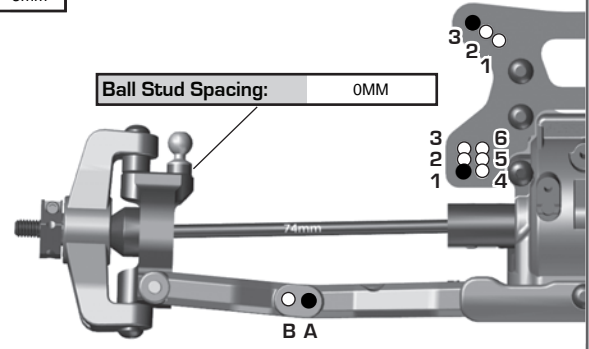
Arm Mount B:



Diff Height:

+2
+0

Ball Stud Spacing: 0MM



Rear Suspension:

Ride Height:	15mm
Camber:	1.5 deg
Anti-Roll Bar:	1.6mm
Arm Type:	kit
Wheelbase Shim:	Arm Forward
Wheel Hex:	7mm
Chassis Brace Support:	GRP
Hub Spacing:	Fwd <input type="checkbox"/> Mid <input type="checkbox"/> Back <input type="checkbox"/>
Notes:	rear composite kit towers

Rear Chassis Brace Screws:



Diff Height:

+3
+2
+1
+0

Vertical Ball Stud Mount:



Arm Mount C:



Ball Stud Spacing:

Arm Mount D:

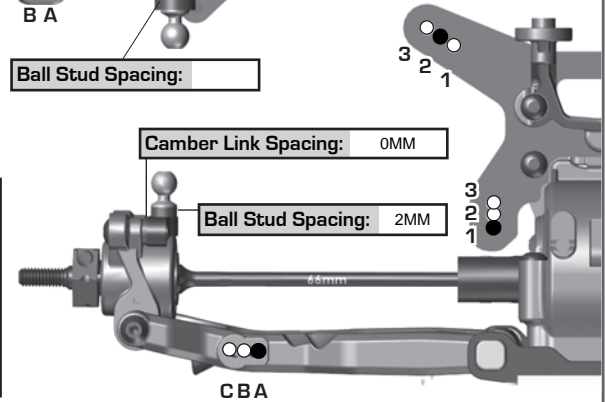


Axle Height:

▼0 3▲ +3
▼1 2▲ +2
▲1 2▼ +1
▲0 3▼ +0

Camber Link Spacing: 0MM

Ball Stud Spacing: 2MM



Electronics:

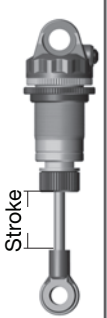
Radio:	Sanwa ZZ	Servo:	Reedy 1705A
EPA: Throttle:	%	Brake:	%
ESC:	Reedy 610r		
ESC Settings:			
Motor / Wind:	6.5	Timing:	20
Pinion:	23	Spur:	78
Battery:	Reedy Zapper 4800 sg5		
Battery Position:	Back 1 <input type="checkbox"/> 2 <input type="checkbox"/> 3 <input type="checkbox"/> 4 <input checked="" type="checkbox"/> Forward		
Battery Weight:			

Differential:

	Front	Center	Rear
Fluid:	15k	200k	10k
Gears:	4	4	4
Type:	LTC	LTC	LTC
Notes:			

Shocks:

	Front	Rear
Piston:	3 X 1.6	3 X 1.8
Thickness:	2.5	2.5
Fluid:	37.5WT	32.5WT
Spring:	ORANGE	BLUE
Limiters:	Int: 0 Ext: 0	Int: 0 Ext: 0
Stroke:	23	29
Eyelet Length:	+2	0
Cup Offset:	+5	0
Notes:		



Slipper Clutch:

Type:	
# of Pads:	
Setting:	

Track Info:

Size:	Small <input type="checkbox"/> Medium <input type="checkbox"/> Large <input checked="" type="checkbox"/> Extra Large <input type="checkbox"/>
Surface:	Dirt <input type="checkbox"/> Carpet <input type="checkbox"/> AstroTurf <input type="checkbox"/> Multi Surface <input checked="" type="checkbox"/>
Traction:	Low <input type="checkbox"/> Medium <input type="checkbox"/> High <input checked="" type="checkbox"/> Very High <input type="checkbox"/>
Moisture:	Dry <input type="checkbox"/> Damp <input checked="" type="checkbox"/> Wet <input type="checkbox"/>
Condition:	Indoor <input type="checkbox"/> Outdoor <input checked="" type="checkbox"/> Bumpy <input checked="" type="checkbox"/> Smooth <input type="checkbox"/>
Temperature:	Ambient: _____ Track: _____
Vehicle Comments:	

Tires:

Front Tires / Compound / Insert / Wheel:	Mezzo / Yellow / Cragg Rear / Centro
Rear Tires / Compound / Insert / Wheel:	Mezzo / Yellow / Cragg Rear / Centro
Notes:	fronts trimmed 3 outer / 2 inner glued up to edge of last spike

Body, Wing, Weight:

Body:	
Front Wing:	Yes <input type="checkbox"/> No <input checked="" type="checkbox"/>
Rear Wing:	
Wing Angle:	0° <input type="checkbox"/> 6° <input checked="" type="checkbox"/>
Wing Mount Height:	0 <input type="checkbox"/> -2 <input checked="" type="checkbox"/>
Total Vehicle Weight:	