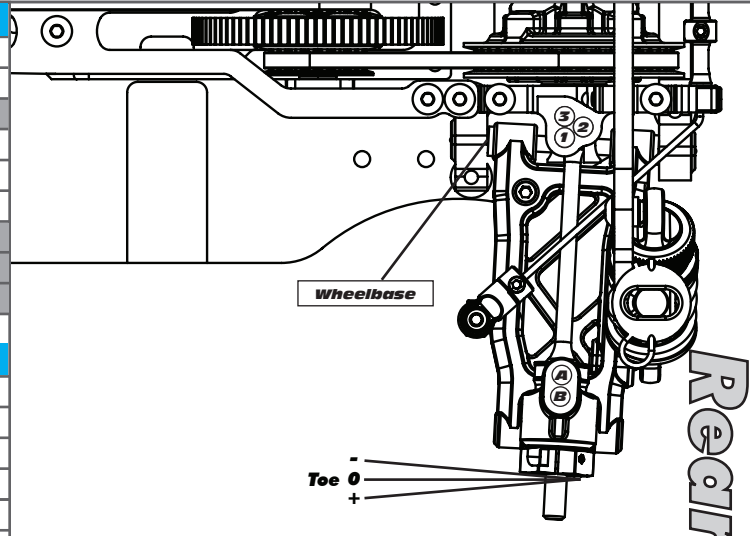
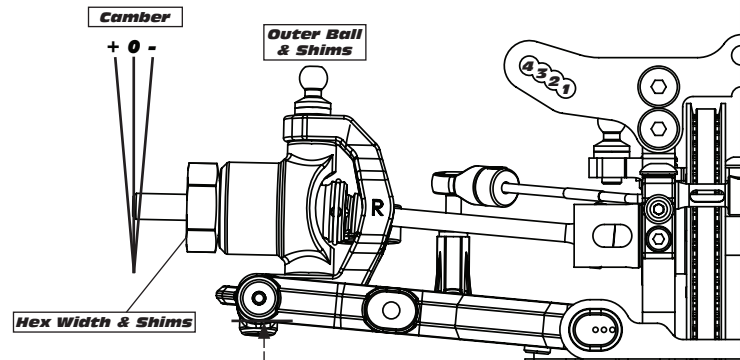
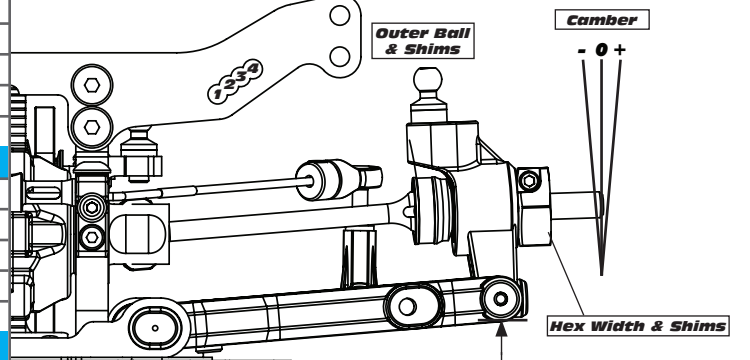


Front



Rear



Front	Alignment	Rear
5.4	Ride Height	5.7
-2	Camber	-2
4	Caster	N/A
+1	Toe	-3
5mm	Hex Width & Shims	5mm
1mm	Wheelbase	1mm
Short 0.5mm Kit	Steering Rack Ball & Shims	N/A
Kit	Steering Block Position	N/A
Kit	Steering Block Ball & Shims	N/A

Notes:

Suspension Geometry		
3	Shock Position	3
1	Camber Link Position	1 + A
1.5mm	Inner Ball & Shims	1mm
0mm	Outer Ball & Shims	1.5mm
-3dot	Outer Arm Mount Insert	+2dot
0.5mm	Outer Mount Shims	1mm
-3dot	Inner Arm Mount Insert	+2dot
0.5mm	Inner Mount Shims	1mm
5.2	Droop	4.2
1.3	Anti-Roll Bar	1.2

Notes:

Shocks		
AE32.5wt	Fluid	AE32.5wt
Kit	Piston	Kit
0	Rebound	0
centro 3.0	Spring	centro 3.0

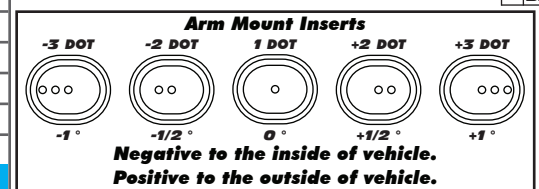
Notes: Vented

Differentials		
Spool	Type	GEAR
	Fluid	3K
	Diff Weight with Fluid	1.8g(fluid)
Mid low	Cam Position	Mid Low
	Belt Tension Number	

Notes:

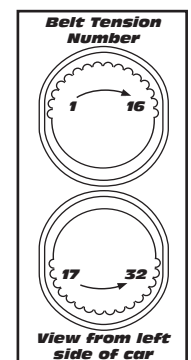
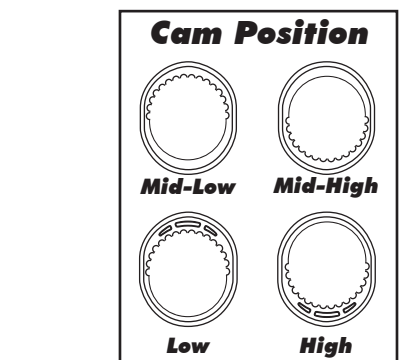
Tires		
Sorex	Type	Sorex
	Tire Diameter	
	Insert & Wheel	
	Additive & Amount	

Chassis		
Chassis:	Std	
Top Plate:	4 outer screws all in.	
Notes:	10g either side of steering 10 g in centre	



Transmitter	
Turning Circle:	28
Steering Expo:	-15
Brake E.P. :	
Throttle Expo:	

Speed Control	
E.S.C. Type:	HW V3.1
E.S.C. Settings:	Max
Software Version:	
Notes:	



Motor	Gearing
Reedy 13.5 M3 1S	/
Notes: 273 rotor	Notes:

Battery		Body & Wing	
Battery Weight:		LTC-R LW	
Battery Position:	Forward	Protoform HD	
Notes:	Reedy Zappers 6000	Notes:	