

Front	Alignment	Rear
6mm	Ride Height	6mm
-2.5	Camber	-2.5
4	Caster	N/A
N/A	Rear Hub Toe	0
	Toe (Total)	
0.5	Hex Spacing	0
1.5mm	Wheelbase	3mm
2b	Steering Link	N/A
3mm	Bumpsteer	N/A

Notes:

Suspension Geometry		
2a	Shock Position	2b
5	Camber Link Position	5b
black	Outer Ball & Shims	silver
3a	FWD Arm Mount	3a
1.5	FWD Mount Shims	0
3a	RWD Arm Mount	3a
1.50	RWD Mount Shims	0
	Droop	
black	Anti-Roll Bar	silver

Notes:

Shocks		
4	Oil	40
2	Piston	2
yes	Rebound	yes
blue	Spring	blue

Notes:

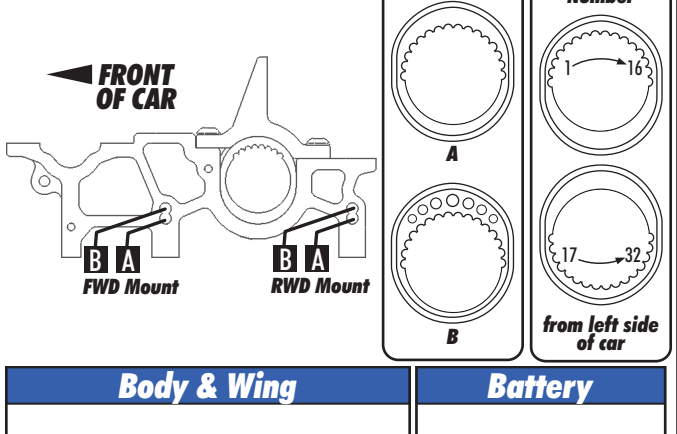
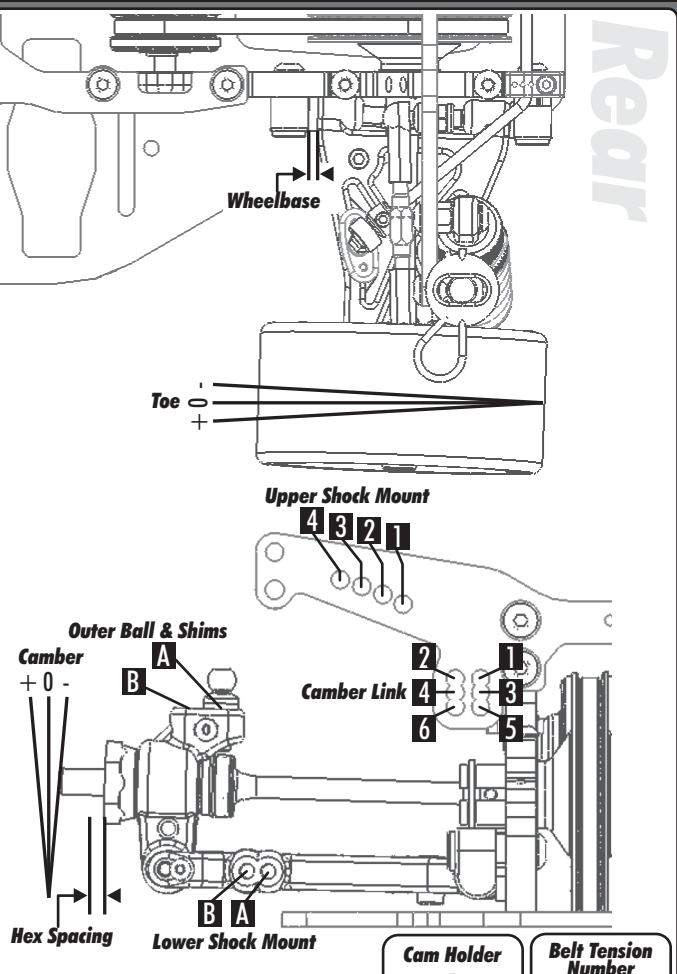
Differentials		
solid axle	Type	ball
	Setting	
	Cam Holder	
	Belt Tension Number	

Notes:

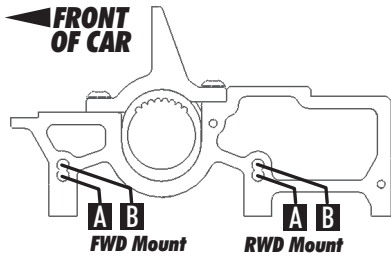
Tires		
sorex 32r prebuilt	Tire	sorex 32r prebuilt
64	Tire Diameter	64
grey 24mm	Insert & Wheel	grey 24mm
tweak 2000	Additive & Amount	tweak 2000

Notes:

Chassis		
Chassis: ITF modified for Lipo		
Top Plate:		
Notes:		



Transmitter	
Turning Circle:	
Steering Expo:	-15
Brake E.P.:	
Throttle Expo:	
Speed Control	
S.C. Type:	Novak Kinetic
S.C. Settings:	



Motor	Gear	Notes
	/	

Body & Wing	Battery