

## Front Suspension:

<b>Ride Height:</b>	18mm
<b>Camber:</b>	-2°
<b>Toe:</b>	+1°
<b>Arm Type:</b>	Hard B6.1 #91672
<b>Tower Type:</b>	B6.1 #91767
<b>Caster Block Insert:</b>	+5°
<b>Steering Block:</b>	+4mm
<b>Bulkhead Type:</b>	brass #91659
<b>Kick-Up Angle:</b>	25°
<b>Wheel Hex:</b>	standard +5 mm
<b>Notes:</b>	alu servo horn #1366 alu bell cranks #91668 alu steering rack #91669 chrome front shafts 3x21mm #91616

**Anti Roll Bar:**

White (0.8mm)   
 Gray (0.9mm)   
 Blue (1.0mm)   
 Other: none

**Bump Steer Spacing:** 0mm

**Axle Height:**

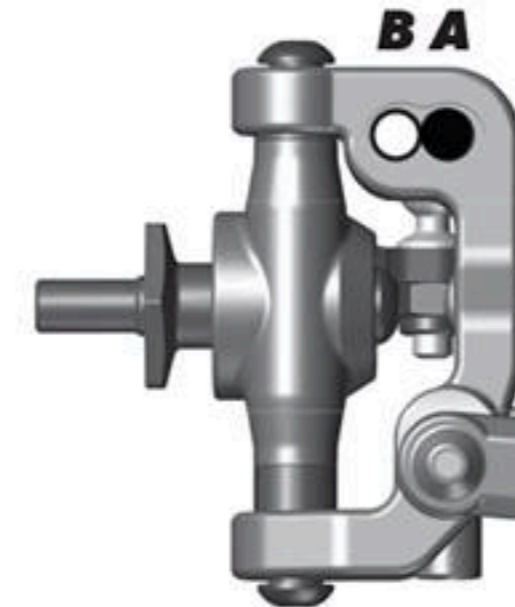
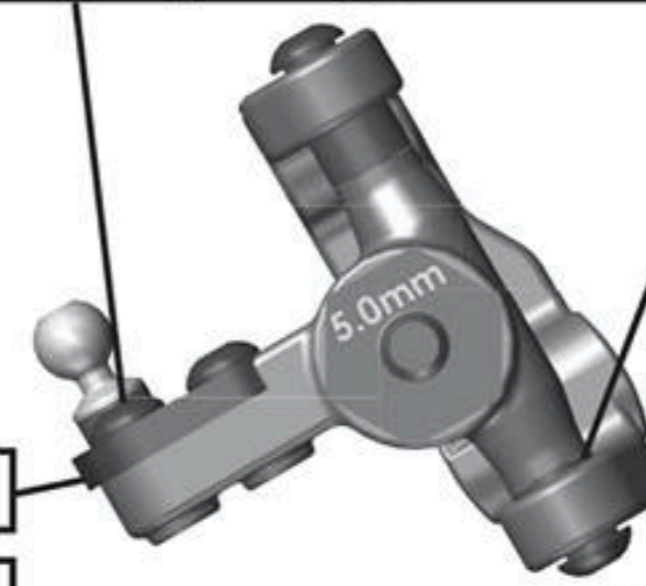
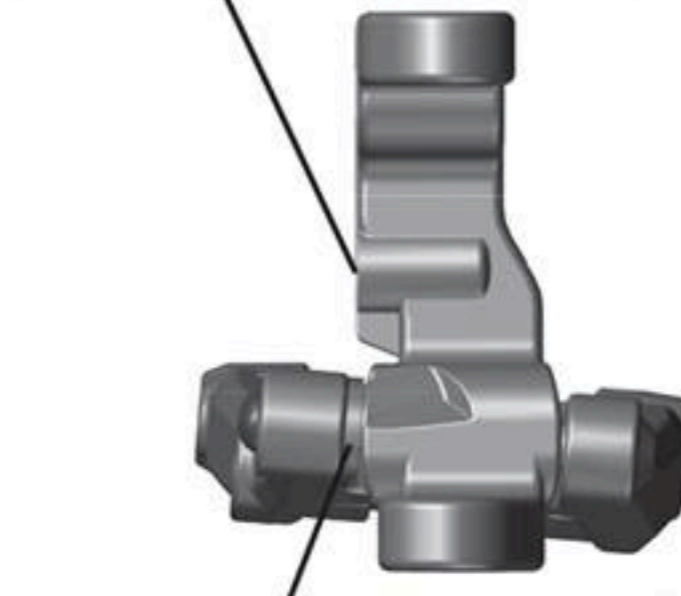
+3   
 +2   
 +1   
 0

**Ball Stud Spacing:** 2mm

**Steering Plate:** +1mm #91680

**Steering Stop Spacing:** 0mm

**Caster Block Spacing:** shim forward



**Ball Stud Spacing:** 2mm



## Rear Suspension:

<b>Ride Height:</b>	18mm
<b>Camber:</b>	-2°
<b>Tower Type:</b>	tall #91770
<b>Wheel Hex:</b>	7mm #91610
<b>CVA Bone Length:</b>	67mm #91434
<b>CVA Pin Location:</b>	outside
<b>Hub Spacing:</b>	Forward <input type="checkbox"/> Middle <input checked="" type="checkbox"/> Back <input type="checkbox"/>
<b>Shock Mounting Position:</b>	Front of Arm <input checked="" type="checkbox"/> Rear of Arm <input type="checkbox"/>
<b>Notes:</b>	31mm Shock body # Axle shim used. #91605 chrome rear shaft 3x27.5 #91620

**Anti Roll Bar:**

White (1.2mm)   
 Gray (1.3mm)   
 Blue (1.4mm)   
 Other: none

**Rear Hub Link Setting:**

Plastic Hub  Aluminum Hub  Ball Stud Spacing: 2mm

**Up:** E C A D B **Down:** D B E C A

**C Mount Inserts:** 1°  0.5°

Aluminum  Brass

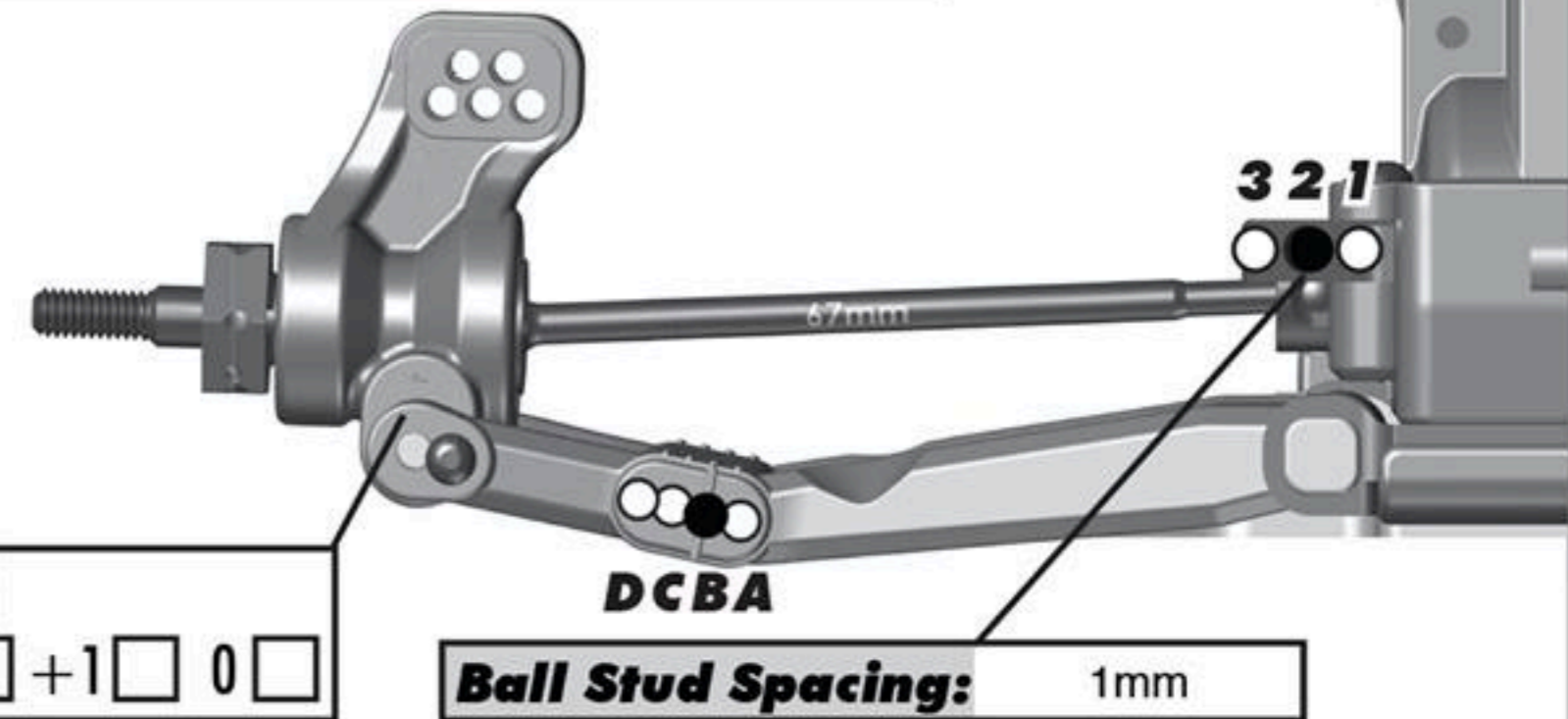
**D Mount Inserts:** 1°  0.5°

Aluminum  Brass

**Hub Insert:**

+3  +2  +1  0

**Ball Stud Spacing:** 1mm



## Electronics:

<b>Radio:</b>	KO PROPO	<b>Servo:</b>	Reedy RS 1206
<b>EPA: Throttle:</b>	%	<b>Brake:</b>	%
<b>ESC:</b>	Reedy Black box 510R		
<b>ESC Settings:</b>			
<b>Motor:</b>	Reedy Sonic 3		
<b>Wind:</b>	6.5	<b>Timing:</b>	30°
<b>Pinion:</b>	23 #1341	<b>Spur:</b>	78 #91811
<b>Battery:</b>	Reedy Zapper 3600 #27337		
<b>Battery Position:</b>	F4		

## Drivetrain:

**Transmission:** Laydown:  Layback:   
 3 Gear:  Stand Up:   
 4 Gear:  Ball Diff:  Gear Diff:

**Height:** +2mm

**Notes:** Diff #91845

**Slipper Clutch:** Type: Kit Plates. # of Pads: 2 LCF PADS #91197

## Shocks:

	Front	Rear
<b>Piston:</b>	TMG 1.6 x 2	TMG 1.7 x 2
<b>Fluid:</b>	AE 32.5w	AE 27.5w
<b>Spring:</b>	AE WHITE V2 #91831	AE WHITE V2 #91838
<b>Limiters:</b>	0	0
<b>Stroke:</b>	21mm	27.5mm
<b>Eyelet Length:</b>	short	long
<b>Cup Offset:</b>	+5mm	+5mm
<b>Notes:</b>	FOX #91576 F, FOX #91578	



## Track Info:

**Size:** Small  Medium  Large  Extra Large   
**Surface:** Dirt  Carpet  Astroturf  Multi Surface   
**Traction:** Low  Medium  High  Very High   
**Moisture:** Dry  Damp  Wet   
**Condition:** Indoor  Outdoor  Dusty  Hard Packed   
 Bumpy  Grooved  Smooth  Loamy   
**Temperature:** Ambient: 21° Track: 21°  
**Notes:** Cork flooring and gym mats. Honeycomb

## Tires:

**Front Tires:** Schumacher Honeycomb  
**Front Compound:** Yellow  
**Front Insert:** none  
**Rear Tires:** Schumacher Honeycomb  
**Rear Compound:** Yellow  
**Rear Insert:** standard  
**Wheel (F/R):** AE  
**Notes:**

## Body, Wing, Weight:

**Body:** Proline  
**Wing:** Proline  
**Wing Angle:** 0°  3°  6°   
**Servo Weights:** #91748 (24g)  
 None  Aluminum  Steel  Other   
**Electronic Weights:** #91747 (36g)  
 None  Aluminum  Steel  Other   
**Total Vehicle Weight:**

## Vehicle Comments:

**Notes:** under batter weight 55g. Reedy lipo set #27304.. FT wing buttons #92100. HARD B6.1 rear arm #91778.