

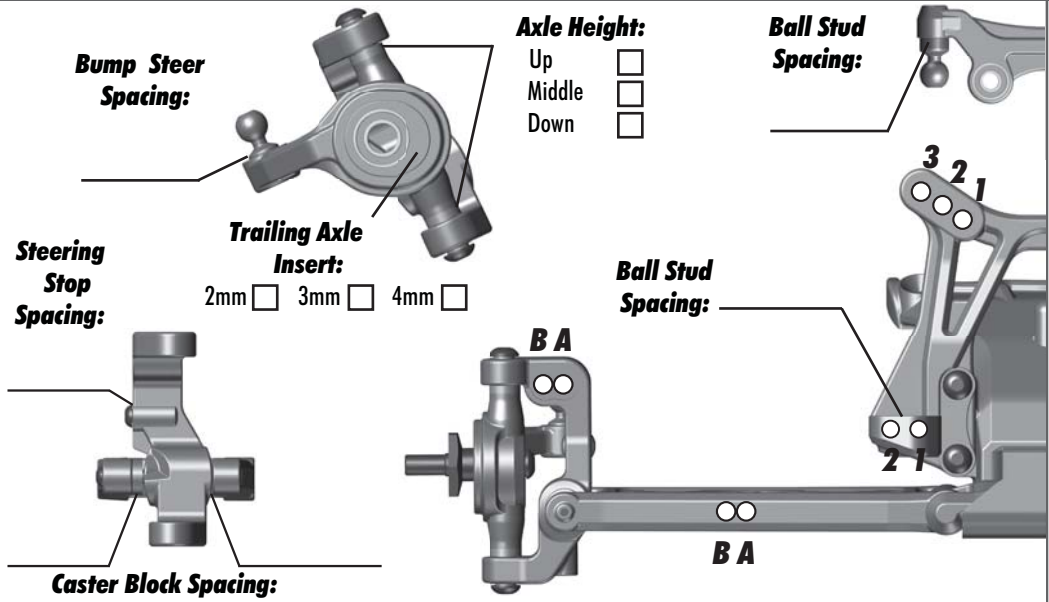
**Driver:** \_\_\_\_\_ **Date:** \_\_\_\_\_

**Track:** \_\_\_\_\_ **Event:** \_\_\_\_\_

## Front Suspension:

- Camber:** \_\_\_\_\_ °
- Total Toe:** \_\_\_\_\_ °
- Ride Height:** \_\_\_\_\_
- Arm Type:** \_\_\_\_\_
- Tower Type:** \_\_\_\_\_
- Caster Block Insert:** \_\_\_\_\_ °
- Kick-Up Angle:** \_\_\_\_\_ °

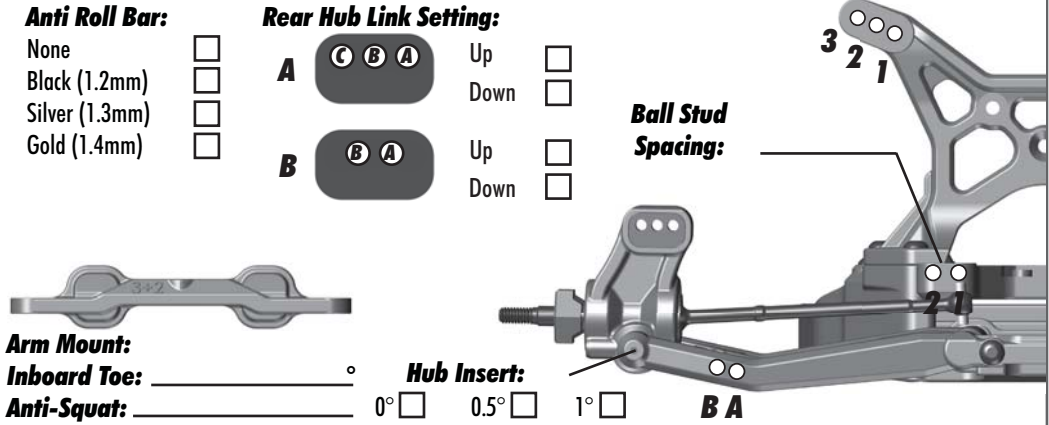
**Notes:**



## Rear Suspension:

- Camber:** \_\_\_\_\_ °
- Ride Height:** \_\_\_\_\_
- Hub Spacing:**  
 Forward  Middle  Back

**Notes:**



## Electronics:

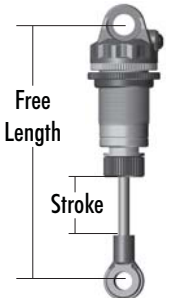
- Radio:** \_\_\_\_\_ **Servo:** \_\_\_\_\_
- EPA: Throttle:** \_\_\_\_\_ % **Brake:** \_\_\_\_\_ %
- ESC:** \_\_\_\_\_
- ESC Settings:** \_\_\_\_\_
- Motor:** \_\_\_\_\_
- Wind:** \_\_\_\_\_ **Timing:** \_\_\_\_\_
- Pinion:** \_\_\_\_\_ **Spur:** \_\_\_\_\_
- Battery:** \_\_\_\_\_
- Battery Position:** \_\_\_\_\_

## Drivetrain:

- Differential:**  
 Ball:   
 Setting: \_\_\_\_\_  
 Gear:   
 Oil: \_\_\_\_\_
- Slipper Clutch:**  
 Type: \_\_\_\_\_  
 # of Pads: \_\_\_\_\_
- Notes:**

## Shocks:

	Front	Rear
<b>Piston:</b>		
<b>Oil:</b>		
<b>Spring:</b>		
<b>Limiters:</b>		
<b>Cup Offset:</b>		
<b>Stroke:</b>		
<b>Free Length:</b>		
<b>Notes:</b>		



## Track Info:

- Size:** Small  Medium  Large  Extra Large
- Surfaces:** Dirt  Carpet  Astroturf  Multi Surface
- Traction:** Low  Medium  High  Very High
- Moisture:** Dry  Damp  Wet
- Condition:** Indoor  Outdoor  Dusty  Hard Packed   
 Bumpy  Grooved  Smooth  Loamy

**Temperature:** Ambient: \_\_\_\_\_ Track: \_\_\_\_\_

**Notes:**

## Tires:

- \_\_\_\_\_ :F - Tires - R:
- \_\_\_\_\_ :F - Compound - R:
- \_\_\_\_\_ :F - Insert - R:
- \_\_\_\_\_ :F - Wheel - R:
- \_\_\_\_\_ :F - Notes - R:

## Body & Wing:

- Body:** \_\_\_\_\_
- Wing:** \_\_\_\_\_
- Wing Angle:** 0°  3°  6°
- Notes:**

## Race Results:

- Quality:** \_\_\_\_\_ **Main:** \_\_\_\_\_
- Finish:** \_\_\_\_\_ **TQ:**
- Best Lap Time:** \_\_\_\_\_

## Vehicle Comments:

**Total Vehicle Weight:** \_\_\_\_\_