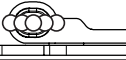
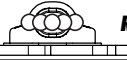
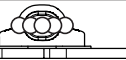
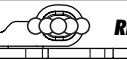


### Track Info

Size:  Small  Medium  Large  XL   
 Surface:  Carpet  Asphalt   
            Indoor  Outdoor   
 Traction:  Low  Medium   
            High  Wet   
 Condition:  Bumpy  Smooth   
 Temperature:  Ambient  Track

### Roll Centers

FF  RF   
 Shim:  Shim:   
 FR  RR   
 Shim:  Shim:

### Notes

Front	Transmission	Rear
<input type="checkbox"/>	Solid Axle	<input type="checkbox"/>
<input type="checkbox"/>	Gear Diff	<input type="checkbox"/>
	Fluid	
Mass w/Fluid		

Spur:  Pinion:  FDR:

### Notes

Front	Shocks	Rear
	Spring	
	Piston	
	Fluid	
	Rebound	
	Stroke	
	Anti-Roll Bar	

### Notes

### Body & Wing

Body:  Position:   
 Wing:  Position:





### Notes

### Electronics

Motor:  Timing:   
 Battery:  Mass:   
 ESC:  Settings:   
 Radio:  Servo:   
 Turn Circle:  STR Expo:   
 Brake Expo:  THR Expo:

### Notes

### Tires

Tires:   
 Insert:  Wheel:   
 Tire Diameter (F/R):   
 Additive (F/R):   
 Additive Timing:   
 Left FR  Right FR  Left RR  Right RR 

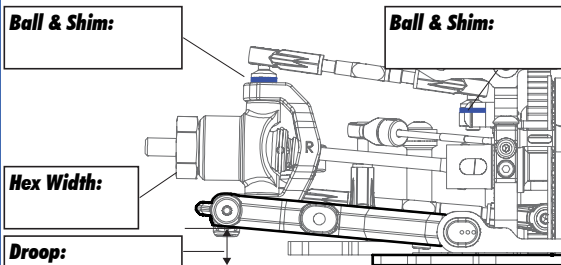
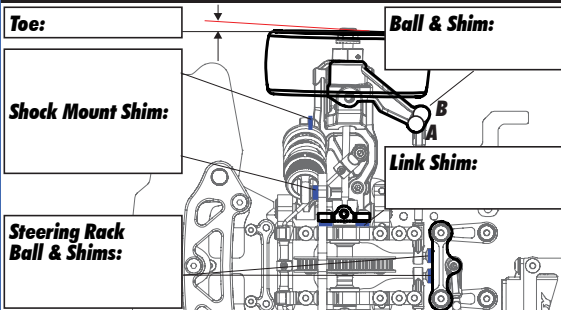
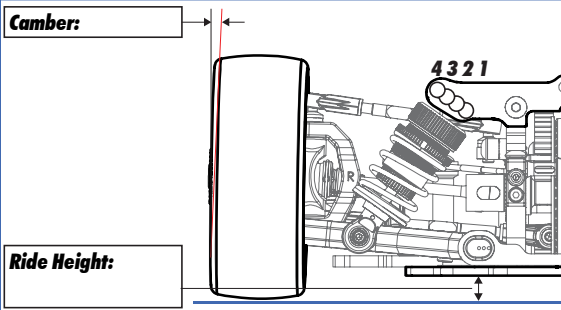
### Notes

:: Team Associated

Driver:  Date:   
 Track:  Event:   
 Qualify:  Best Lap Time:  Main:  Finish:



### Front

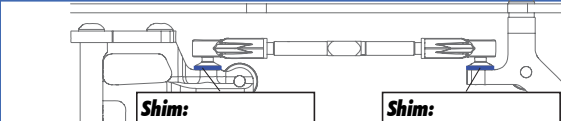


### Notes

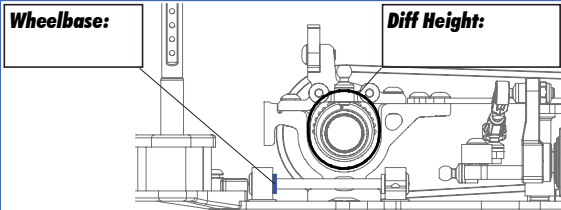
### Inline Flex Mount



### Pitch Control System

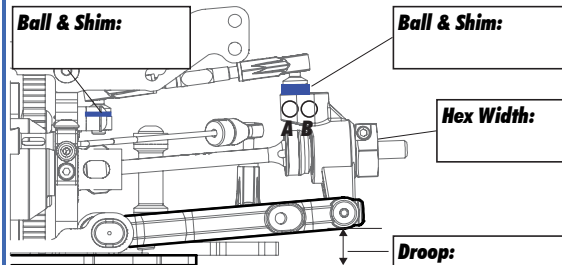
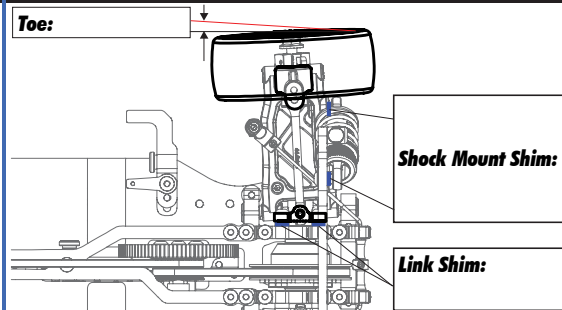
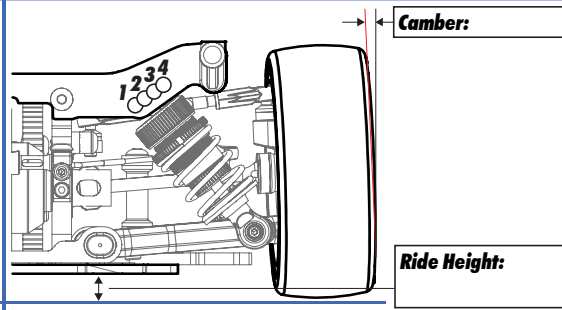


### Notes



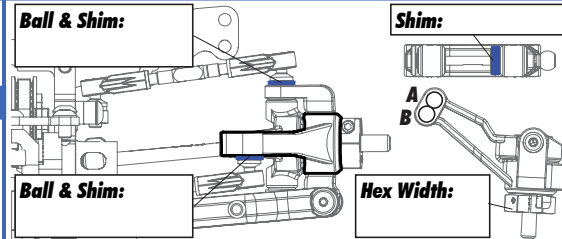
### Notes

### Rear

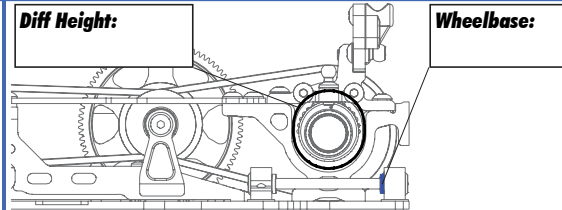


### Notes

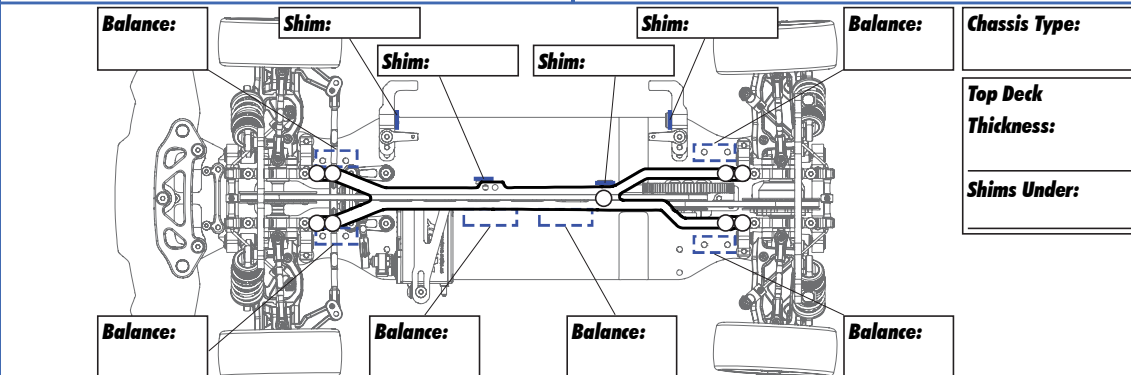
### Dynamic Toe Control



### Notes



### Notes



PetitRC: