

NIGHT RANGER™ 3D

**Brushless & LiPo
Ready!**



FEATURES

- Ready-To-Fly [RTF]
- 6Ch FM Radio
- 3 Micro Servos
- 4-in-1 Gyro, Mixer, Receiver, & ESC
- 9 Cell 10.8v 650 mah NiMH Rechargeable Battery
- AC Wall Charger
- (8) Venom Power AA Alkalines™

RTF
Ready-To-Fly



3D AEROBATIC HELI!

**ALLOY CHASSIS, HEAD BLOCK, TAIL BOOM & LANDING SKIDS
FOR MAXIMUM STRENGTH & PRECISION FLYING**



www.venom-aircorps.com

NIGHT RANGER™ 3D

SPECIFICATIONS

Venom Night Ranger 3D™
Type: Electric Powered

Dimensions:
Rotor Span: 570 mm
Blade Size: 260 mm
Length: 530 mm
Weight: 390 g

Blade Type:
Symmetrical Foam

Model No.: VENF-6225

Included:
370 Brushed Motor
9 Cell 650 mah NiMH Battery
AC Wall Charger
6Ch FM Radio
Weight: 390 g

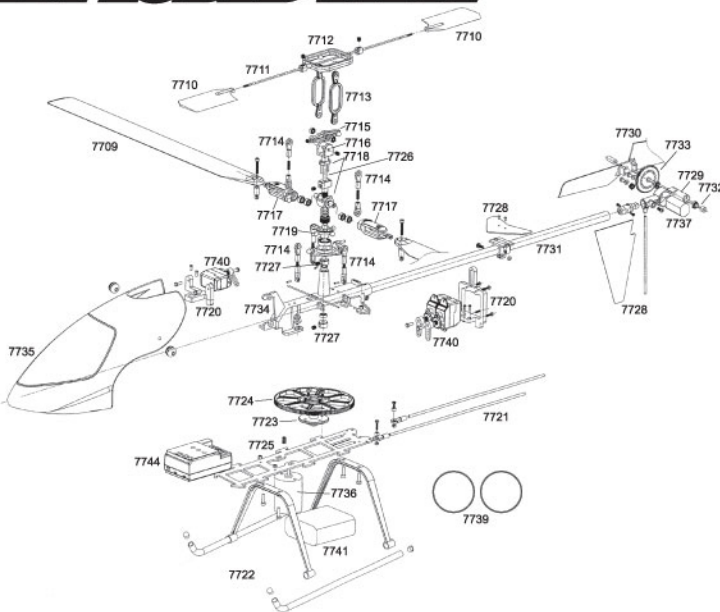
Speed Range:
0-25 mph

Pitch Range:
+9 -9 degrees

FEATURES

- Ready-To-Fly [RTF]
- 6Ch FM Radio
- 3 Micro Servos
- 4-in-1 Gyro, Mixer, Receiver, & ESC
- 9 Cell 10.8v 650 mah NiMH Rechargeable Battery
- AC Wall Charger
- (8) Venom Power AA Alkalines™

EXPLODED VIEW



PARTS LIST

VENF-6225	Venom Night Ranger 3D - Micro Electric Heli RTF	VENF-7741	10.8 Volt 9 Cell 650mah Battery - VNR3D
VENF-7709	Main Rotor Blades - VNR3D	VENF-7742	Wall Charger - VNR3D
VENF-7710	Flybar Paddles - VNR3D	VENF-7743	Transmitter - VNR3D
VENF-7711	Flybar - VNR3D	VENF-7744	4-in-1 Electronics Unit - VNR3D
VENF-7712	Flybar Control Tray - VNR3D	VENF-7745A	Crystal Set: Ch.51 72.81MHz
VENF-7713	Pitch Links- VNR3D	VENF-7745B	Crystal Set: Ch.52 72.83MHz
VENF-7714	Pushrod Assembly - VNR3D	VENF-7745C	Crystal Set: Ch.53 72.85MHz
VENF-7715	Flybar See Saw - VNR3D	VENF-7745D	Crystal Set: Ch.54 72.87MHz
VENF-7716	See Saw Holder - VNR3D	VENF-7745E	Crystal Set: Ch.55 72.89MHz
VENF-7717	Main Blade Grips - VNR3D	VENF-7745F	Crystal Set: Ch.56 72.91MHz
VENF-7718	Alloy Head Block - VNR3D	VENF-7746	Carbon Fiber Blades - VNR3D
VENF-7719	Swash Plate - VNR3D	VENF-7747	Heat Sink Set - VNR3D
VENF-7720	Servo Mount - VNR3D	VENF-7748	Brushless 180 Motor - VNR3D
VENF-7721	Tail Struts - VNR3D	VENF-7749	20amp Brushless ESC - VNR3D
VENF-7722	Landing Gear Set - VNR3D	VENF-7750	Y-Harness - VNR3D
VENF-7723	Alloy Main Gear Hub - VNR3D		
VENF-7724	Main Gear - VNR3D		
VENF-7725	Alloy Chassis Plate - VNR3D		
VENF-7726	Main Mast - VNR3D		
VENF-7727	Main Mast Collars - VNR3D		
VENF-7728	Tail Stabilizer Set - VNR3D		
VENF-7729	Tail Gearbox Housing - VNR3D		
VENF-7730	Tail Rotor Blades - VNR3D		
VENF-7731	Tail Boom - VNR3D		
VENF-7732	Tail Rotor Shaft - VNR3D		
VENF-7733	Tail Spur Gear - VNR3D		
VENF-7734	Main Frame - VNR3D		
VENF-7735	Canopy & Mounts - VNR3D		
VENF-7736	Main Motor - VNR3D		
VENF-7737	Tail Motor - VNR3D		
VENF-7738	Tail Motor Connector - VNR3D		
VENF-7739	Battery Holder Rings - VNR3D		
VENF-7740	7.6g Servo (1Pc) - VNR3D		



LIPO BATTERY



**BRUSHLESS
MOTOR & ESC**



**HIGH PERFORMANCE
CARBON FIBER BLADES**



**HIGH PERFORMANCE
HEAT SINK SET**



VENOM AIR CORPS

Customer Service
Tel 800.705.0620
customerservice@venom-aircorps.com

www.VENOM-AIRCORPS.com