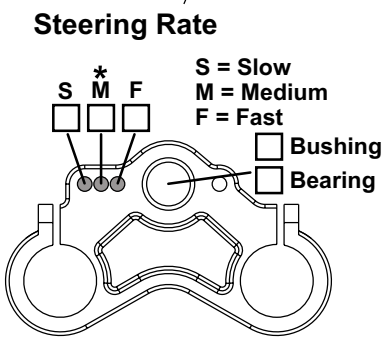
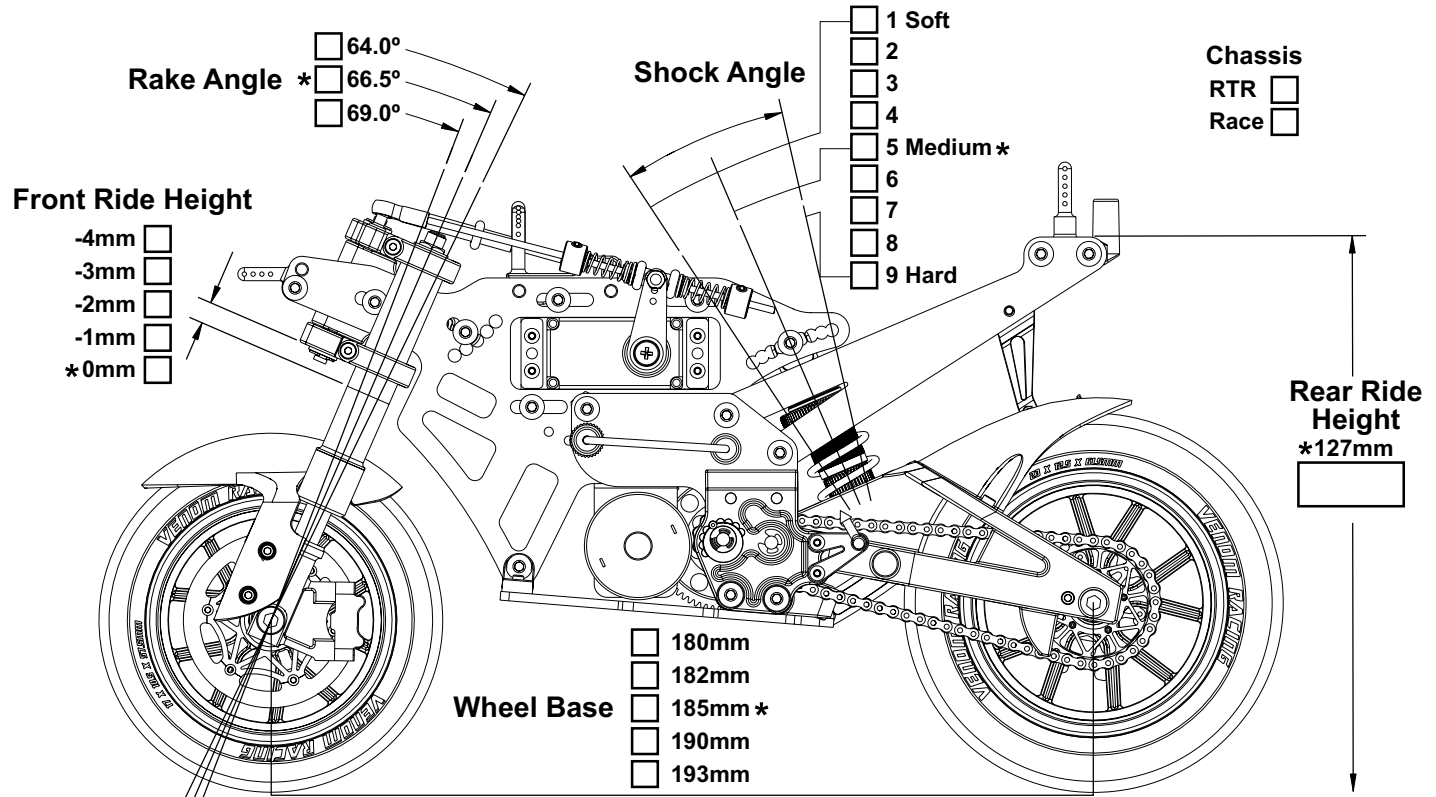


Name: \_\_\_\_\_ Date: \_\_\_\_\_

Track: \_\_\_\_\_ Track Condition: \_\_\_\_\_ Air/ Track Temp: \_\_\_\_\_ / \_\_\_\_\_



**Suspension**

Forks \_\_\_\_\_ Rear Shock \_\_\_\_\_  
 Oil Weight: \_\_\_\_\_ Oil Weight: \_\_\_\_\_  
 Piston Top: \_\_\_\_\_ Piston Top: \_\_\_\_\_  
 Piston Btm: \_\_\_\_\_ Spring: \_\_\_\_\_  
 Preload: \_\_\_\_\_ Preload: \_\_\_\_\_

**Steering Damper**

Grease: Y N  
 O-ring: 1 2 3

**Battery**

Size: \_\_\_\_\_  
 Type: \_\_\_\_\_  
 Pos: Fwd Mid Bk

**Droop**

\_\_\_\_\_ mm  
 \*2 mm

Tires Fr: \_\_\_\_\_ Rr: \_\_\_\_\_  
 Insert Fr: \_\_\_\_\_ Rr: \_\_\_\_\_

**Wheel Set**

Front:	Kit	Rear:	Kit
	Heavy		Heavy
	Medium		Medium
	Light		Light

**Gear Ratio**

NO-ZIP	SPUR GEAR		
	60	62	64
12	5:1	5.16:1	5.33:1
13	4.6:1	4.76:1	4.92:1
14	4.2:1	4.42:1	4.57:1
15	4:1	4.13:1	4.26:1

**Electronics**

Servo: \_\_\_\_\_  
 Rec: \_\_\_\_\_  
 ESC: \_\_\_\_\_  
 Motor: \_\_\_\_\_

**Option Parts**

1) \_\_\_\_\_ 3) \_\_\_\_\_  
 2) \_\_\_\_\_ 4) \_\_\_\_\_