

Length: Front width: Rear width: Wheelbase: Height: Weight:

Engine Picco

Diff.Oil 5000

Clutch bell

Type: Front:Grease 5000 wt

13T 14T other:

Gasket: Center:Grease 5000 wt

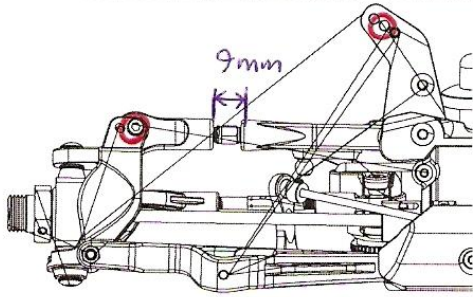
Spur gear sta kit

Plug: Rear:Grease 2000 wt

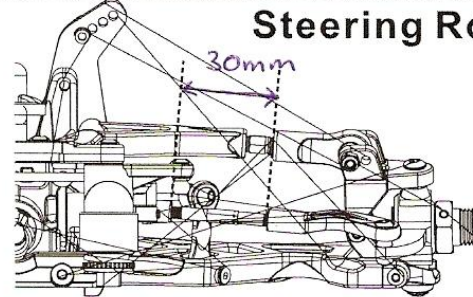
40T other:

Fuel: Byron 230%

Front Arms:

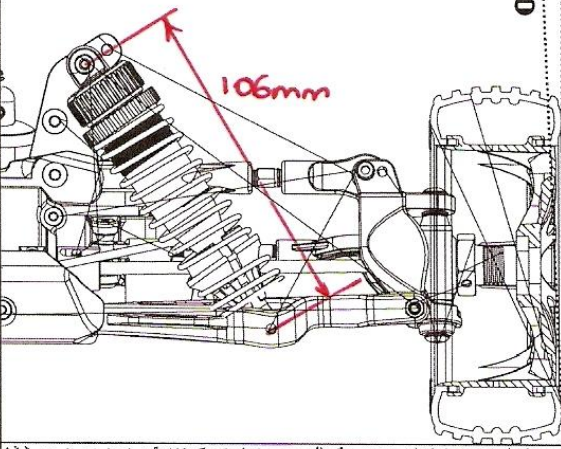


Steering Rod:



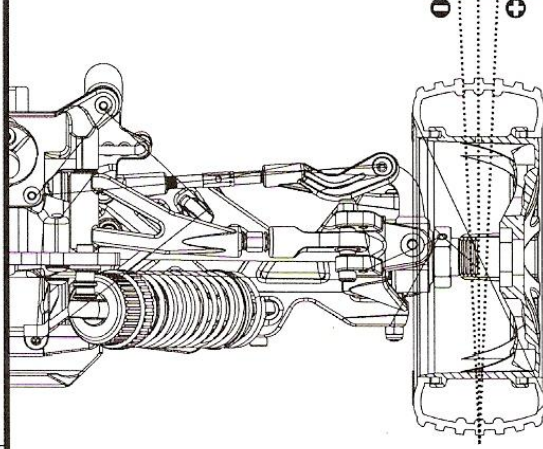
Front Suspension:

-1 Deg.



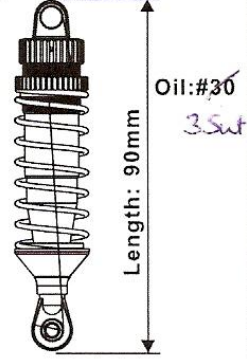
Front Toe angle:

-1 Deg.



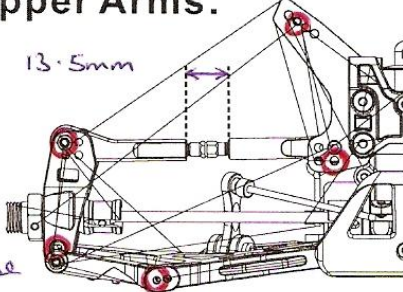
Front Shock:

Blue sta Spring
2 x 1.5mm
2 x 1.3mm



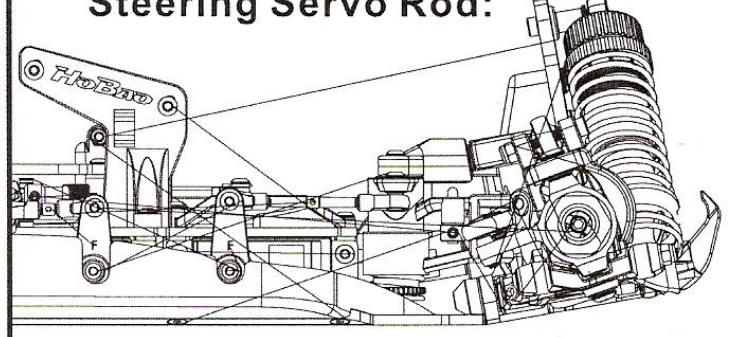
Rear Front Upper Arms:

13.5mm

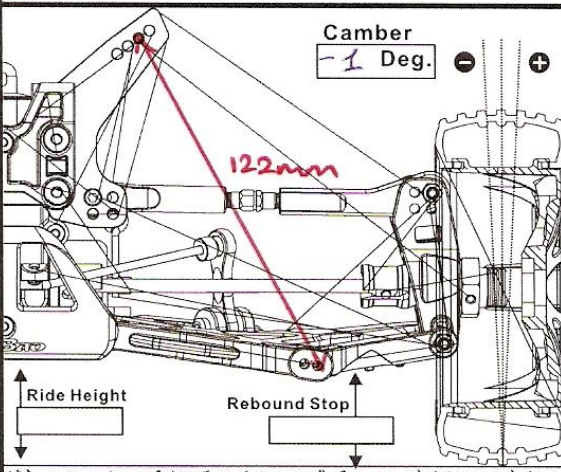


Short wheelbase
20° anti squat

Steering Servo Rod:

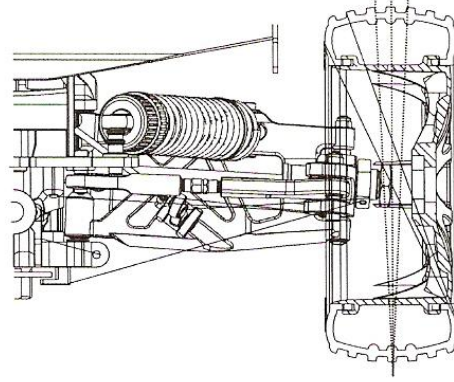


Camber
-1 Deg.



Rear Toe angle:

+30



Rear Shock:

