



Setup Sheet

Driver _____

Date _____

Track:

Size

- Big
- Med
- Small

Traction

- High
- Med
- Low

Surface

- Smooth
- Med
- Bumpy

Front Suspension

Toe In/ Out

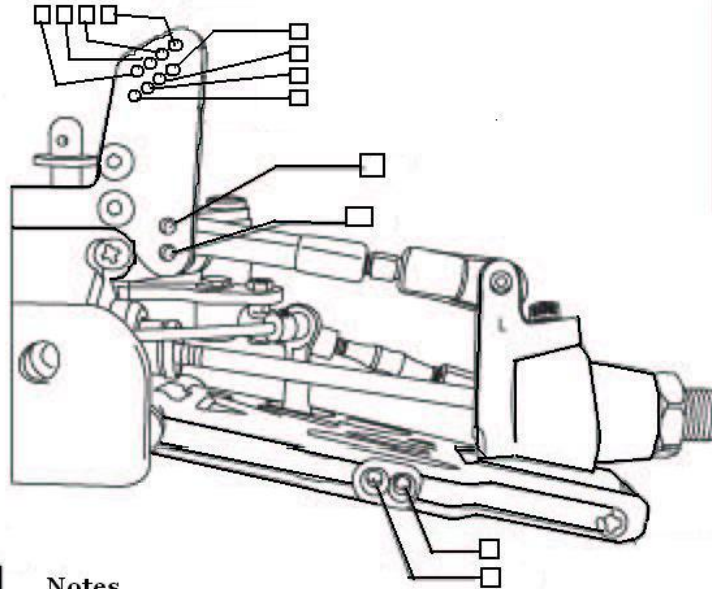
Ride Height

Camber

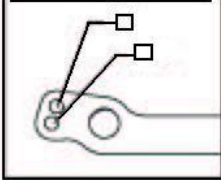
Rebound Stop

Caster

Sway Bar



Steering Slider



Front Shocks

Oil.....

Piston..... Drilled.....

Spring.....

Notes

Rear Suspension

Toe In

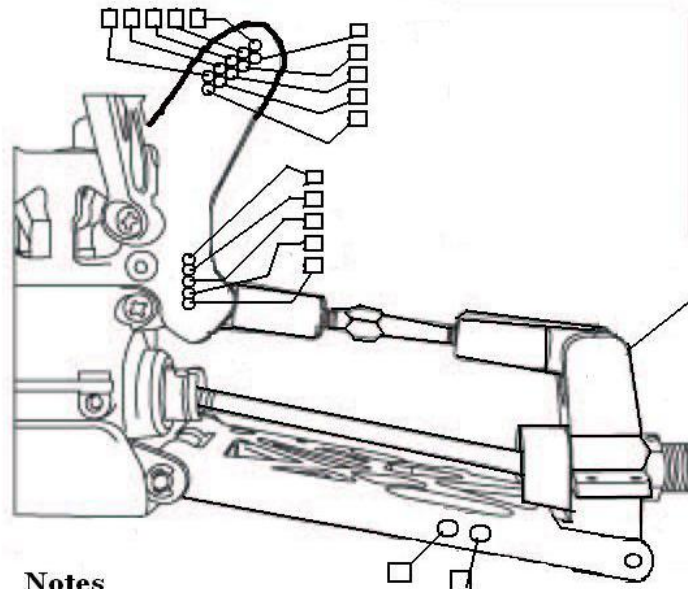
Ride Height

Camber

Rebound Stop

Anti Squat

Sway Bar



Rear Hub

- Alloy
- Plastic

Rear Shocks

Oil.....

Piston..... Drilled.....

Spring.....

Notes

Wheels

Diff Oil

Front _____ Centre _____ Rear _____

Engine

Make _____

Exhaust _____

Fuel _____

Plug _____

Air Filter _____

Clutch

Drum size _____

Shoe _____

Spring _____

Front Tyres

Rear Tyres

Inserts