



Name: _____

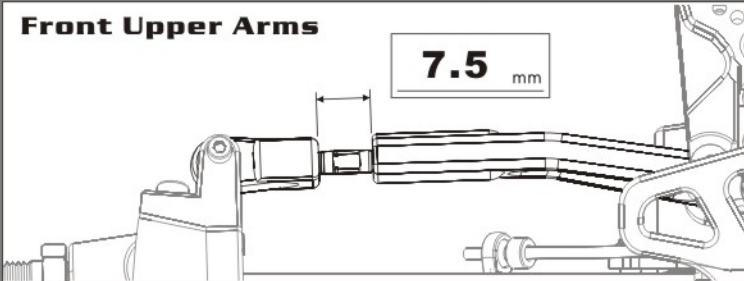
Date: ____/____/____

Track: _____

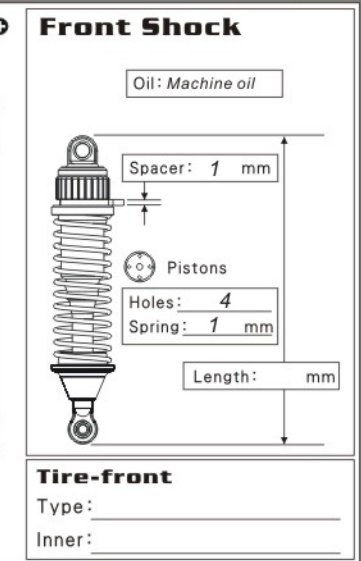
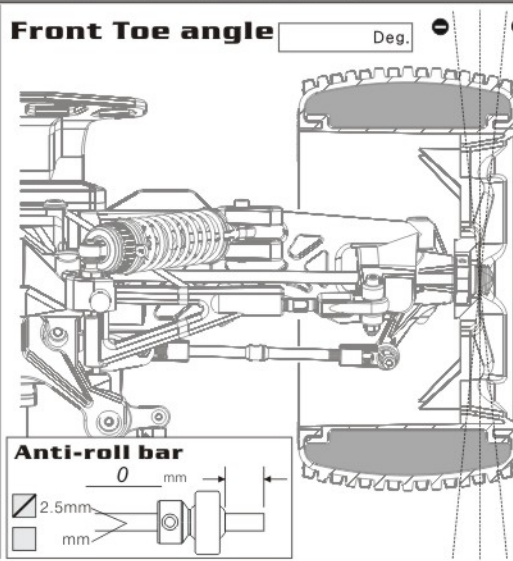
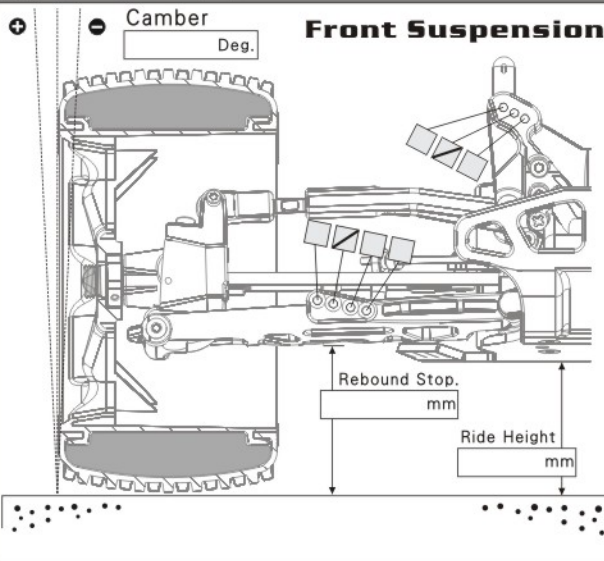
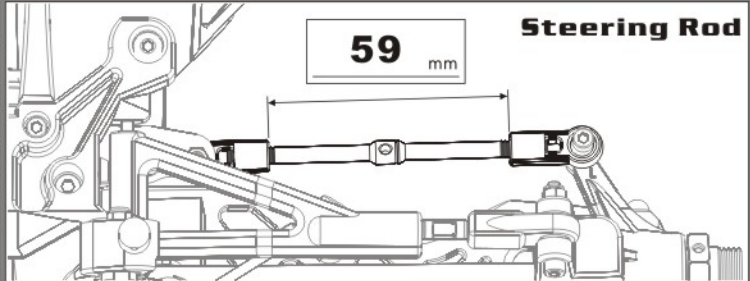
Length: _____ Front width: _____ Rear width: _____ Wheelbase: _____ Height: _____ Weight: _____

Engine Type: _____ Gasket: _____ Plug: _____ Fuel: _____	Diff. Oil Front: # <u>Machine oil</u> Center: # <u>3000</u> Rear: # <u>Machine oil</u>	Clutch ball 13T <input type="checkbox"/> 14T <input checked="" type="checkbox"/> Other _____ T. # _____ Spur gear 48T <input type="checkbox"/> 52T <input checked="" type="checkbox"/> Other _____ T. # _____
---	--	--

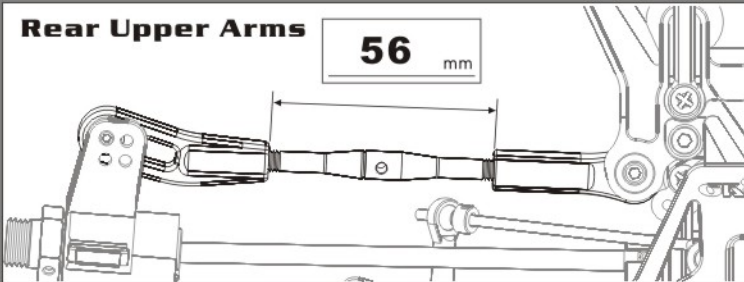
Front Upper Arms



Steering Rod



Rear Upper Arms



Steering Servo Rod

