



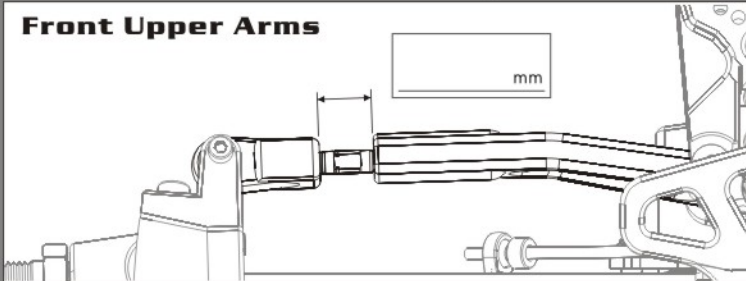
Name: \_\_\_\_\_

Date: \_\_\_\_ / \_\_\_\_ / \_\_\_\_

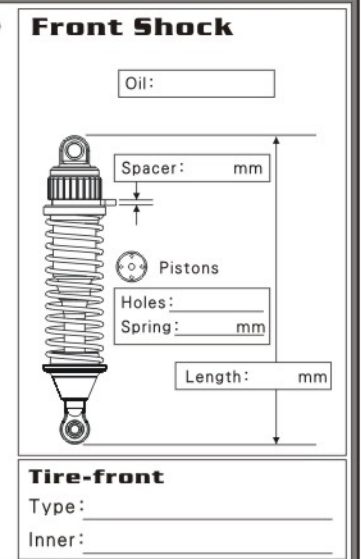
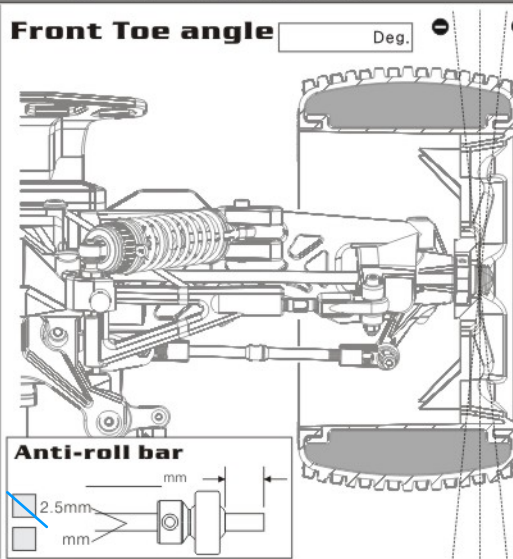
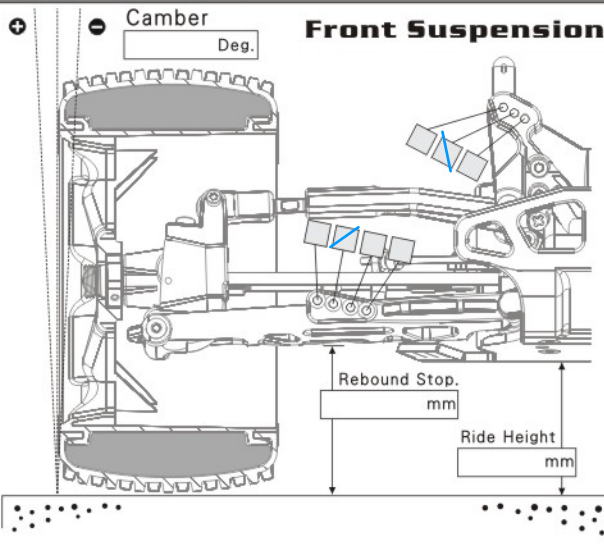
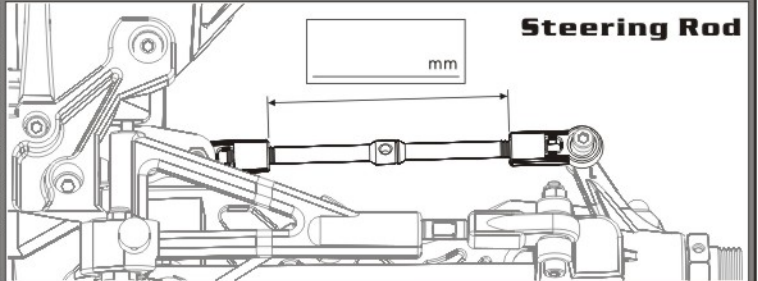
Track: \_\_\_\_\_

Length:	Front width:	Rear width:	Wheelbase:	Height:	Weight:
<b>Engine</b> Type: _____ Gasket: _____ Plug: _____ Fuel: _____		<b>Diff. Oil</b> Front: # _____ Center: # _____ Rear: # _____		<b>Clutch ball</b> 13T <input type="checkbox"/> 14T <input type="checkbox"/> Other _____ T. # _____ <b>Spur gear</b> 48T <input type="checkbox"/> 52T <input checked="" type="checkbox"/> Other _____ T. # _____	

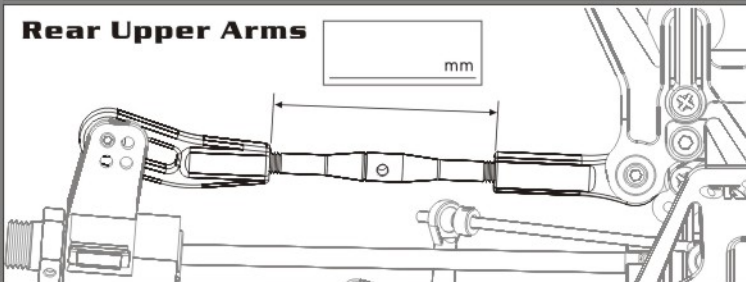
### Front Upper Arms



### Steering Rod



### Rear Upper Arms



### Steering Servo Rod

