

Transmitter
 Turning Circle: _____
 Steering Expo: _____
 Brake E.P. : _____
 Throttle Expo: _____

Motor

Gearing
 /

Notes: _____

Front	Alignment	Rear
5mm	Ride Height	5mm
-1.5 deg	Camber	4.5 deg
4 deg	Caster	N/A
N/A	Rear Hub Toe	0
+ 0.5 deg	Toe (Total)	-2.5 deg
-	Hex Spacing	-
1mm	Wheelbase	1mm
7B	Steering Bellcrank	N/A
2B	Steering Link	N/A
Black +0	Bumpsteer	N/A

Notes:

Suspension Geometry		
3B	Shock Position	3B
7	Camber Link Position	7A
Silver +0	Outer Ball & Shims	Black +3mm
2B	FWD Arm Mount	2B
2 deg	FWD Mount Shim	1.5 deg
2B	RWD Arm Mount	2B
2 deg	RWD Mount Shims	4 deg
7	Drop	6
1.25mm	Anti-Roll Bar	1.25mm

Notes:

Shocks		
40	Oil	40
3	Piston	3
50%	Rebound	50%
Silver	Spring	Green

Notes:

Differentials		
Slipper Spool	Type	Alum Diff
Tight!!!	Setting	1/8 Turn Loose
A	Cam Holder	A
28	Belt Tension Number	6

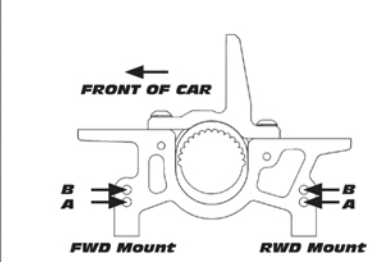
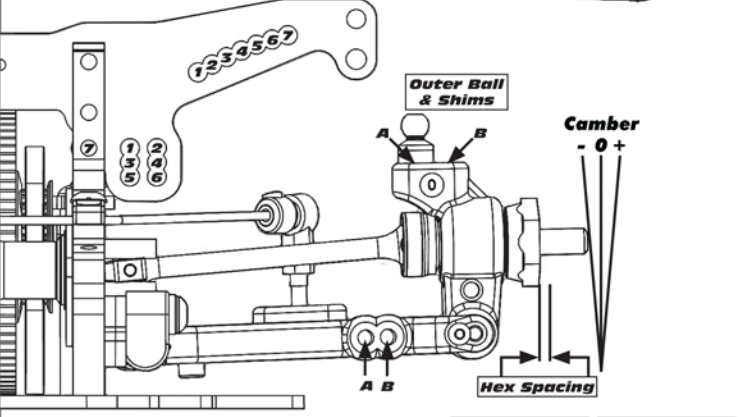
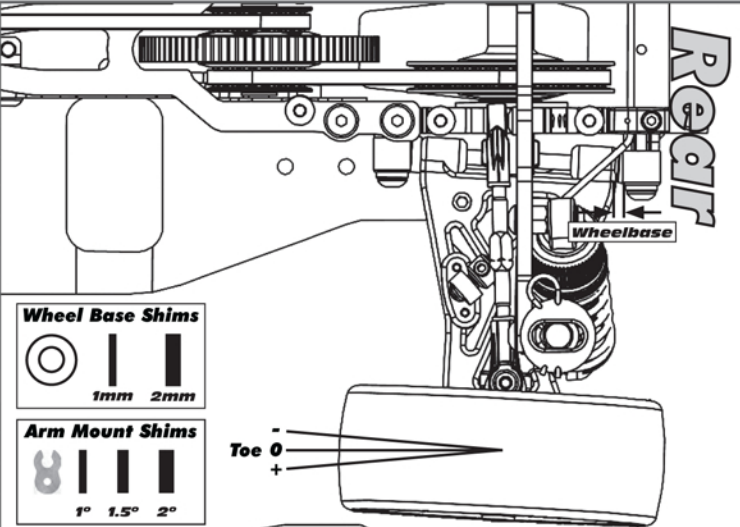
Notes:

Tires		
	Type	
	Tire Diameter	
	Insert & Wheel	
	Additive & Amount	

Notes:

Chassis
 Top Plate

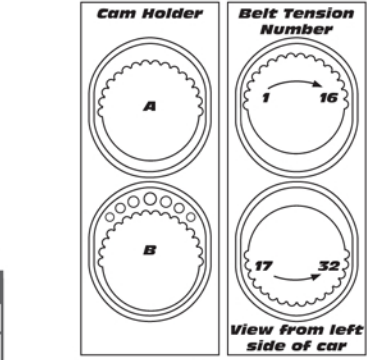
Notes: _____



Speed Control
 E.S.C. Type: _____
 E.S.C. Settings: _____

Body & Wing

Notes: _____



Battery Placement

Notes: _____