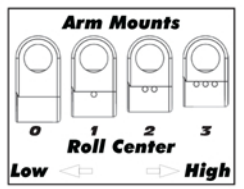
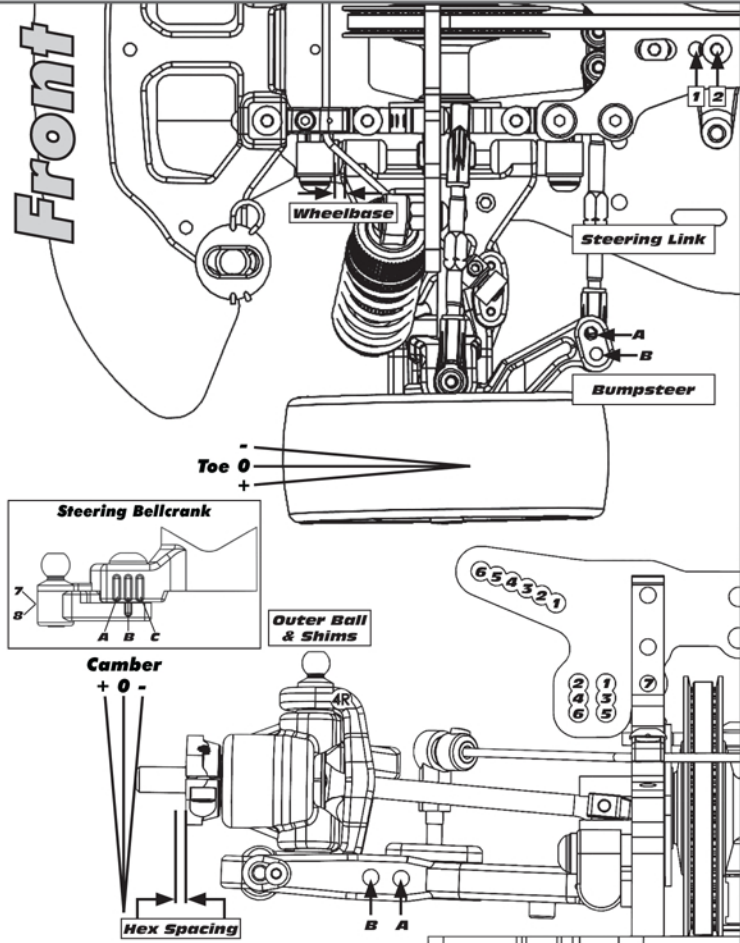


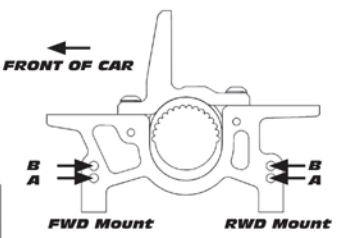
Driver:
Track:
Conditions:

Date:
Event:



Transmitter

Turning Circle:
Steering Expo:
Brake E.P.:
Throttle Expo:



Motor

Gearing

/

Notes:

Front	Alignment	Rear
	Ride Height	
	Camber	
	Caster	N/A
N/A	Rear Hub Toe	
	Toe (Total)	
	Hex Spacing	
	Wheelbase	
	Steering Bellcrank	N/A
	Steering Link	N/A
	Bumpsteer	N/A

Notes:

Suspension Geometry

	Shock Position	
	Camber Link Position	
	Outer Ball & Shims	
	FWD Arm Mount	
	FWD Mount Shim	
	RWD Arm Mount	
	RWD Mount Shims	
	Drop	
	Anti-Roll Bar	

Notes:

Shocks

	Oil	
	Piston	
	Rebound	
	Spring	

Notes:

Differentials

	Type	
	Setting	
	Cam Holder	
	Belt Tension Number	

Notes:

Tires

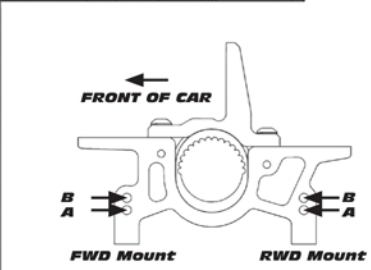
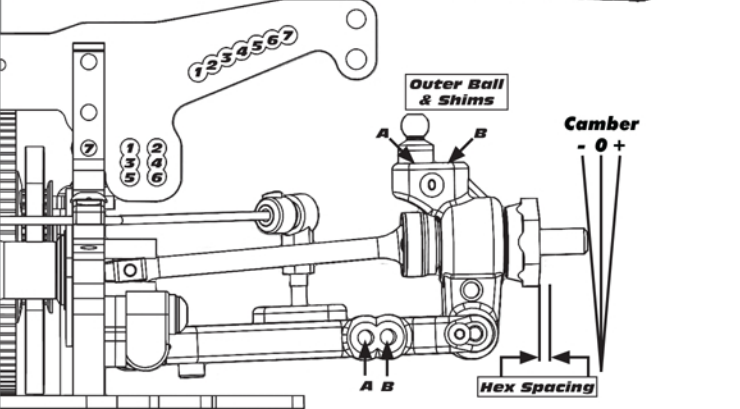
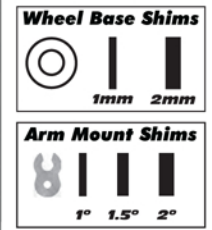
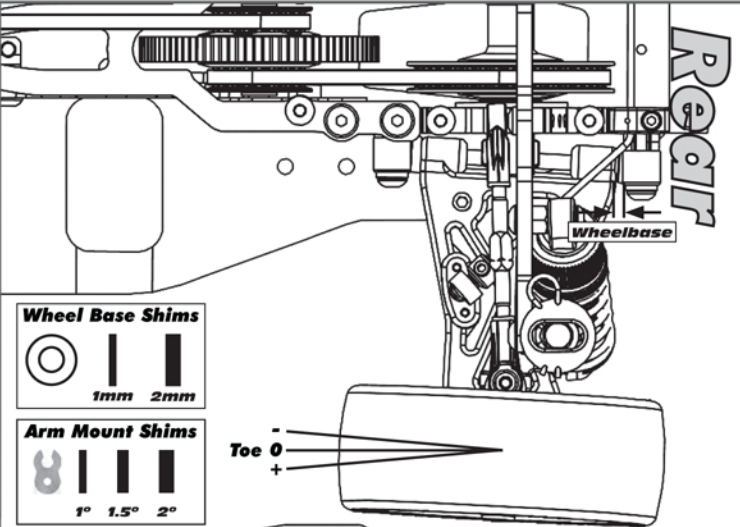
	Type	
	Tire Diameter	
	Insert & Wheel	
	Additive & Amount	

Notes:

Chassis

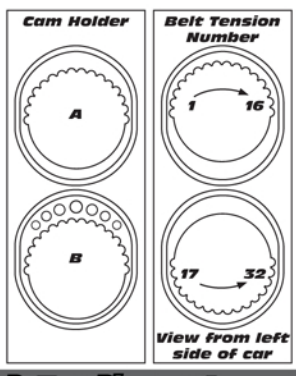
	Chassis	
	Top Plate	

Notes:



Speed Control

E.S.C. Type:
E.S.C. Settings:



Body & Wing

Notes:

Battery Placement

Notes: