

Front	Alignment	Rear
5.5mm	Ride Height	5.5mm
1.5	Camber	1.5
4	Caster	N/A
N/A	Rear Hub Toe	0
0	Toe (Total)	3.2
0.5	Hex Spacing	0
1-2	Wheelbase	2-1
2A	Steering Link	N/A
3.5mm	Bumpsteer	N/A

Suspension Geometry

1A	Shock Position	2B
1	Camber Link Position	5B
black 1mm	Outer Ball & Shims	black 1mm
2A	FWD Arm Mount	2A
1.5mm	FWD Mount Shims	1mm
2A	RWD Arm Mount	2A
1mm	RWD Mount Shims	3.5mm
5	Droop	4.5
1.4	Anti-Roll Bar	1.2

Notes: soft castor blocks,

Shocks

AE 45	Oil	AE45
#2	Piston	#2
0	Rebound	0
HPI silver	Spring	HPI blue

Notes: drilled tops for zero rebound

Differentials

spool	Type	diff
—	Setting	medium
a	Cam Holder	a
4	Belt Tension Number	13

Notes:

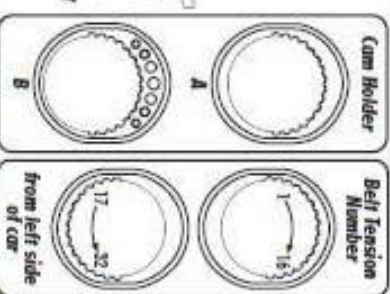
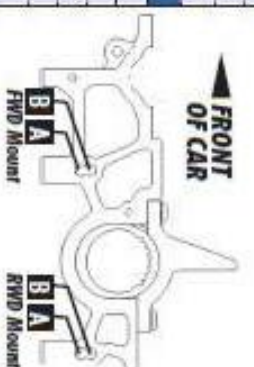
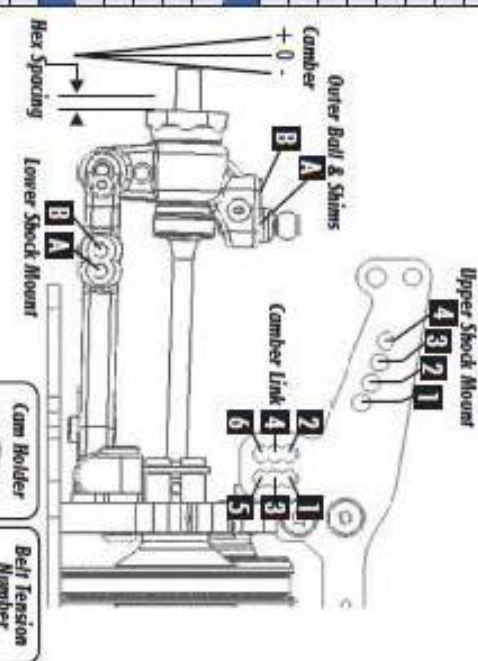
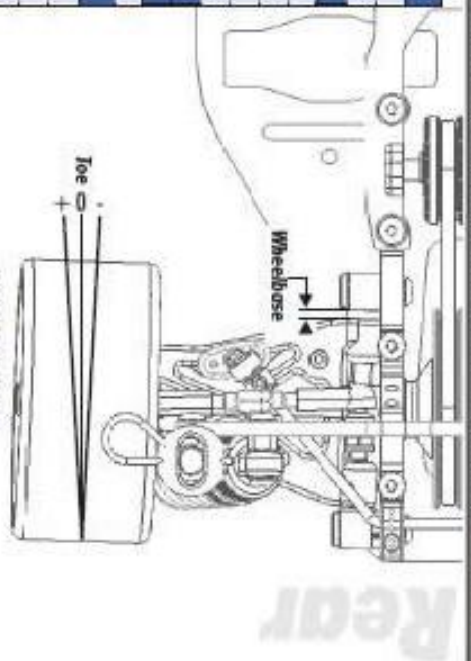
Tires

soresx 28r	Tire	soresx 28r
	Tire Diameter	
	Insert & Wheel	
1rp 2 100%	Additive & Amount	1rp2 100%

Notes: 20min rear 10 min front

Chassis

Chassis: 2mm
Top Plate: 2mm
Notes:



Body & Wing

lights speed 6 mounted forward

Battery

1rp lipoo 5300

Transmitter	
Turning Grde:	full
Steering Expo:	-15%
Brake EP:	0
Throttle Expo:	0

Speed Control	
S.C. Type:	sxx
S.C. Settings:	1500

Motor	Gear	Notes
1rp x12.5.0	24 / 108	4 dot timing