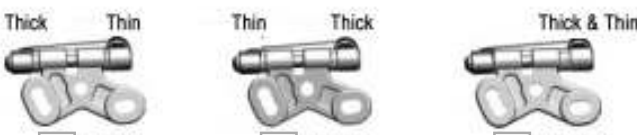


12R5.2

::Driver: olly jefferies **::Date:** 18 march
::Track: chesterfield
::Event: brca r6

Setup sheet for Team Associated's 12R5.2

::Front Suspension

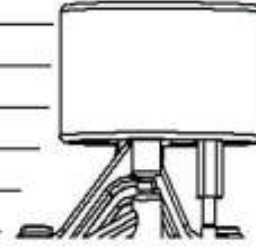
Ride height: 3.5
Upper arm mounts: 0° 5° 10°

 1.80° 3.25° 6.15°
Camber: 1 0 0
Droop: just in spring
Bumpsteer shims: black + 2mm
King pin lube: black grease
Springs: 0.18 with extra shim of pre load
Front Brace: None Soft Hard
Front width: one wheel shim

Roll Center

Shims on top of the steering block: kit
Shims between bulkhead and caster block: 2mm
Notes: 0.5mm between arm and mount

::Front Tires

Brand & compound: jaco magenta
Diameter: 40.5mm
Wheel: jaco
Tire treatment: cs
Treatment time: 20 min
Surface treated: half
Notes:



::Body

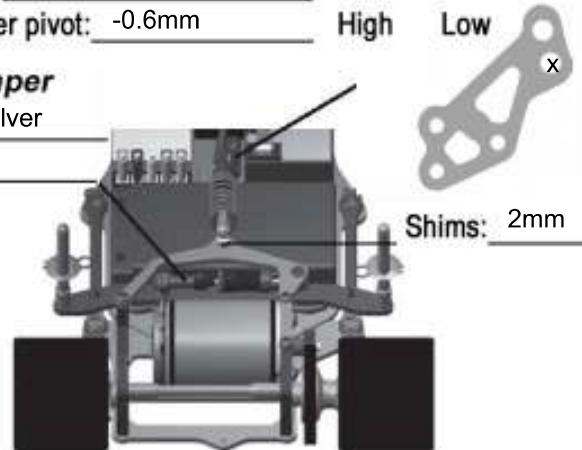
Brand & model: amr light
Notes:

::Track Info

Composition: Asphalt Carpet
Surface: Smooth Bumpy
Traction: High Medium Low
Notes:

::Rear Suspension

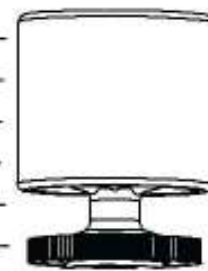
Ride height adjuster: 2.75 **Center damper**
Chassis ride height: 3.5mm Brand: ae
Pod ride height: 3.5mm Spring: blue
Droop: 1.2mm Oil: 25wt
Rear width: 171mm Position:
Shims under pivot: -0.6mm High Low
Side damper
Springs: silver
Oil: 25wt



Notes:

::Rear Tires

Brand & compound: jaco pink
Diameter: 42mm
Wheel: jaco
Tire treatment: cs
Treatment time: ~~10~~ 20 mins
Surface treated: full
Notes:



::Motor / Battery

Motor: reedy 3.5 Rotor: std
Timing: 3 mark
Pinion: 25 Spur: ~~90~~ 96
Rollout: 0.000
Battery:
Plugs position: Front Back

::Speed Control

ESC: lrp sxx v2
Setting: 0863

::Transmitter

Turning Circle: 1feet
Steering Expo: -20
Brake E.P.: 100
Throttle Expo: 0
Notes: